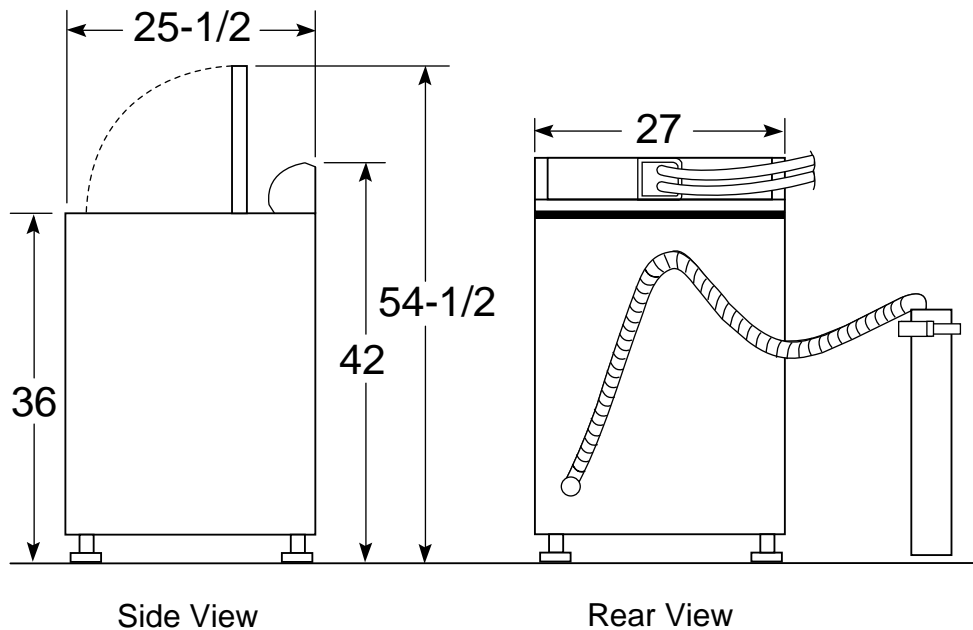


HOTPOINT

VBXR1070WWW - Hotpoint 2.7 Cu. Ft. Extra-Large Capacity Washer

Washer Dimensions (in inches)



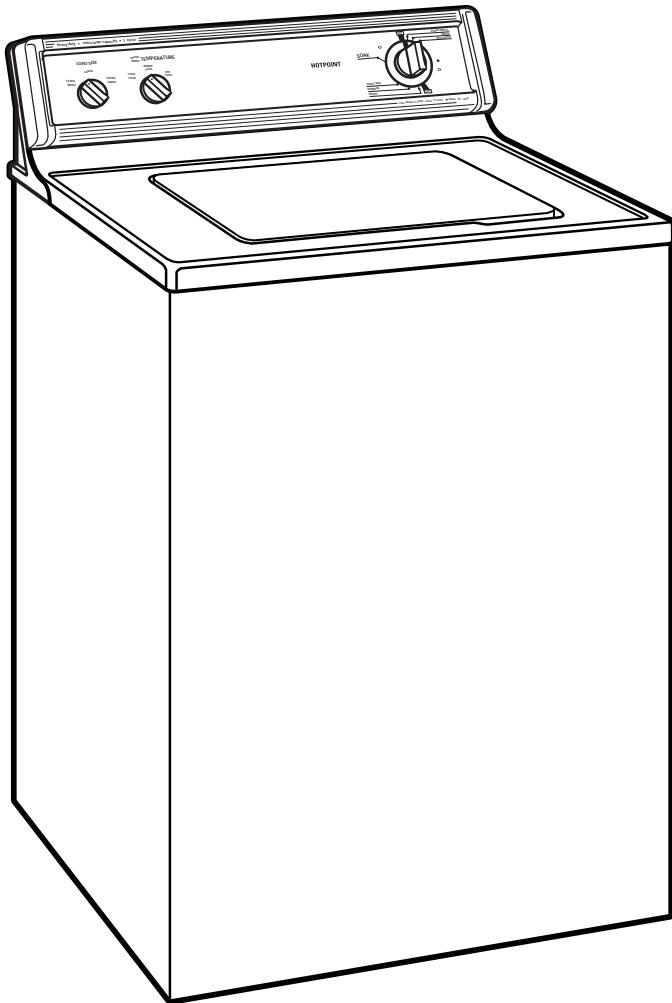
Circuit Requirements: An individual, properly-grounded branch circuit, with a three-prong grounding-type receptacle, protected by a 15 or 20 amp circuit breaker or a time-delay fuse, is required.

Electrical Rating: 120V, 60Hz, 15 Amps

Installation Information: Before installing, consult installation instructions packed with product for current dimensional data.

HOTPOINT

VBXR1070WWW - Hotpoint 2.7 Cu. Ft. Extra-Large Capacity Washer



Features and Benefits

- 2.7 Cu. Ft. Extra-Large Capacity
- 1 Wash/Spin Speed Combinations
- 3 Wash/Rinse Temperature Settings
- 3 Water Levels
- 7 Cycles: Heavy Soil, Medium Soil, Light Soil, Auto Soak, Delicates, Permanent Press and Knits
- Rear Lid Opening
- TufTub™ Basket
- Self-Cleaning Filter
- Front Serviceable
- Model VBXR1070WWW–White on White
- Model VBXR1070WAA–Almond on Almond

Free Manuals Download Website

<http://myh66.com>

<http://usermanuals.us>

<http://www.somanuals.com>

<http://www.4manuals.cc>

<http://www.manual-lib.com>

<http://www.404manual.com>

<http://www.luxmanual.com>

<http://aubethermostatmanual.com>

Golf course search by state

<http://golfingnear.com>

Email search by domain

<http://emailbydomain.com>

Auto manuals search

<http://auto.somanuals.com>

TV manuals search

<http://tv.somanuals.com>