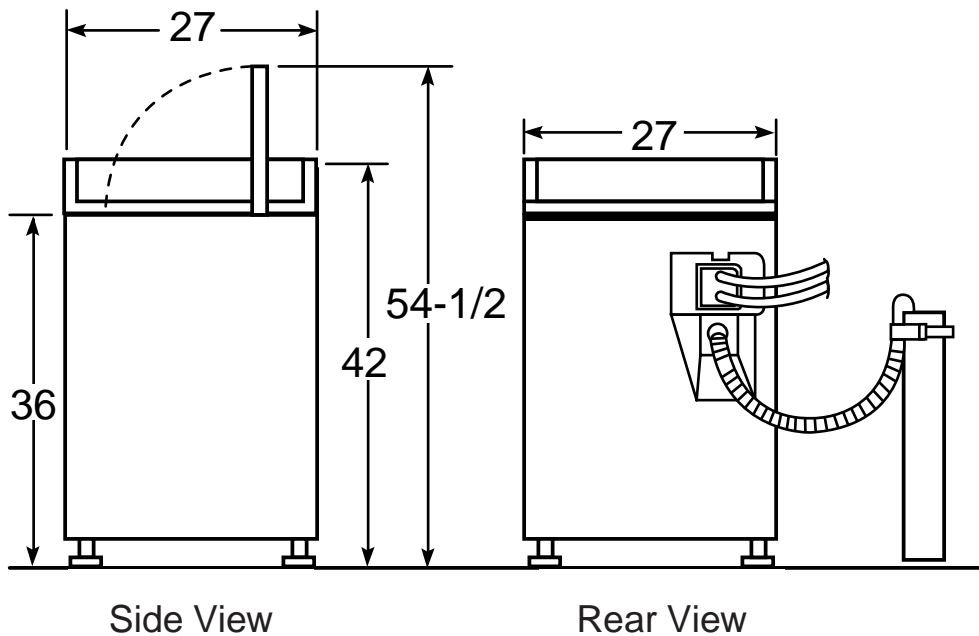


# HOTPOINT

## VVSR1040VWW—Hotpoint Super Capacity Washer

Washer Dimensions (in inches)



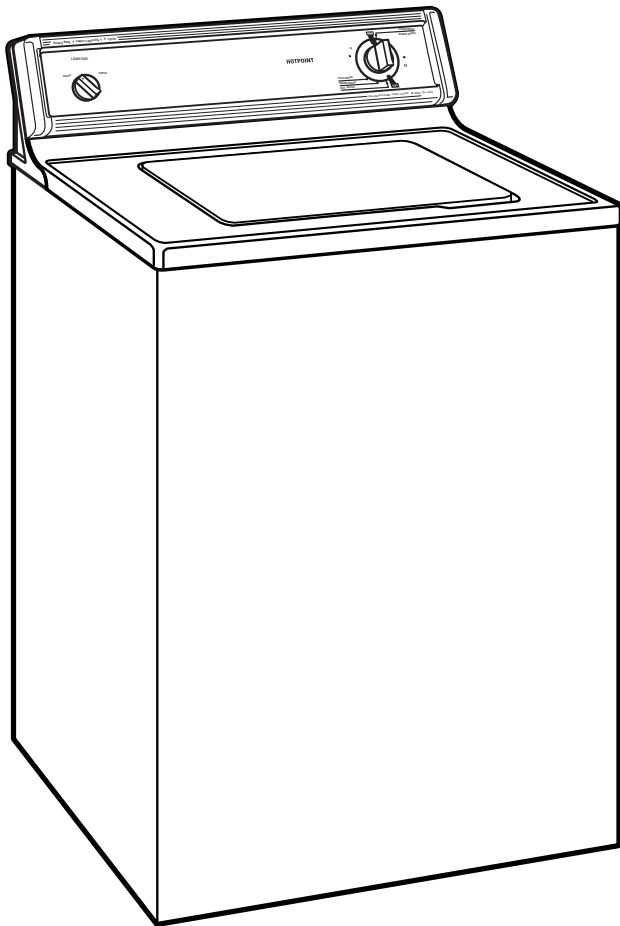
**Circuit Requirements:** An individual, properly-grounded branch circuit, with a three-prong grounding-type receptacle, protected by a 15 or 20 amp circuit breaker or a time-delay fuse, is required.

**Electrical Rating:** 115V, 60Hz, 10 Amps

**Installation Information:** Before installing, consult installation instructions packed with product for current dimensional data.

# HOTPOINT

## VVSR1040VWW—Hotpoint Super Capacity Washer



### Features and Benefits

- Super 32 (3.2 Cu. Ft.) Capacity
- 1 Wash/Spin Speed Combination
- 4 Cycle Selections: Permanent Press, Heavy Soil, Normal Soil and Light Soil
- 3 (Timer) Wash/Rinse Temperature Settings
- 2 Water Levels
- FlexCare™ Agitator
- Tuf Tub™ Basket
- Self-Cleaning Filter
- Balance Pro™ Suspension System
- Front Serviceable
- Model VVSR1040VWW - White on white

## Free Manuals Download Website

<http://myh66.com>

<http://usermanuals.us>

<http://www.somanuals.com>

<http://www.4manuals.cc>

<http://www.manual-lib.com>

<http://www.404manual.com>

<http://www.luxmanual.com>

<http://aubethermostatmanual.com>

Golf course search by state

<http://golfingnear.com>

Email search by domain

<http://emailbydomain.com>

Auto manuals search

<http://auto.somanuals.com>

TV manuals search

<http://tv.somanuals.com>