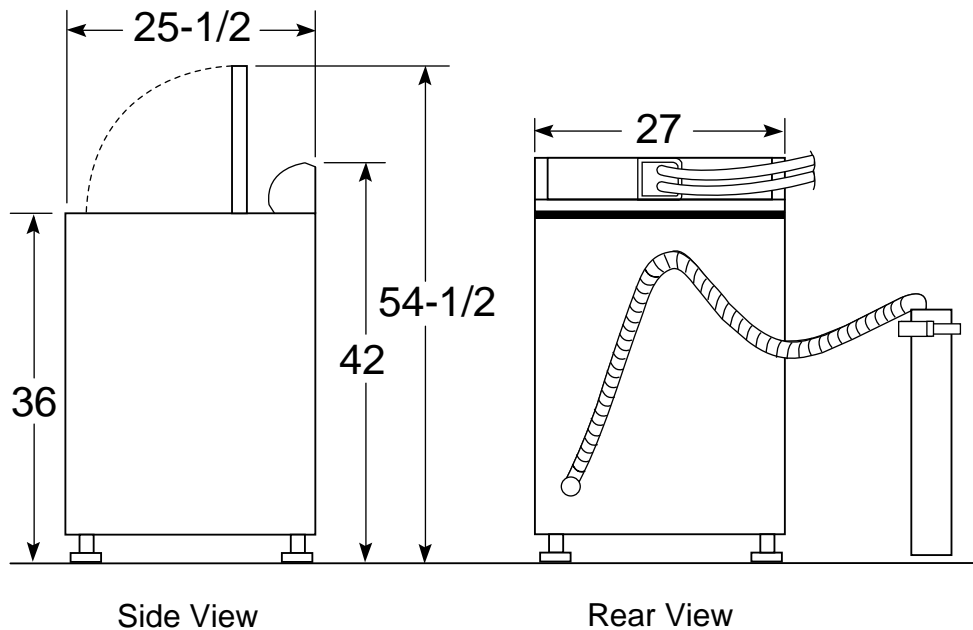


HOTPOINT

VWSR3110WWW - Hotpoint 3.2 Cu. Ft. Super Capacity Washer

Washer Dimensions (in inches)



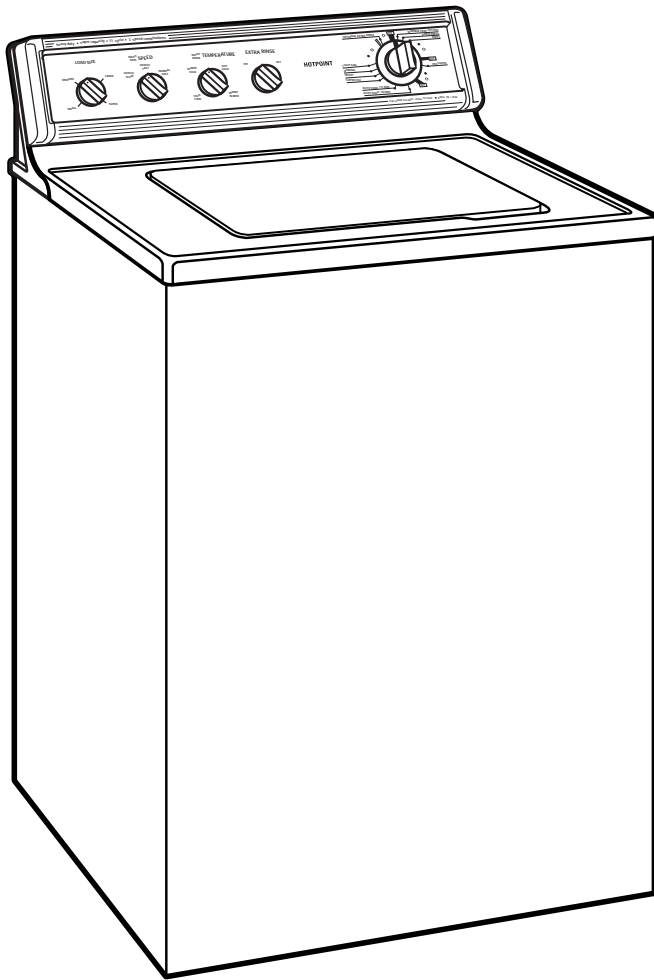
Circuit Requirements: An individual, properly-grounded branch circuit, with a three-prong grounding-type receptacle, protected by a 15 or 20 amp circuit breaker or a time-delay fuse, is required.

Electrical Rating: 120V, 60Hz, 15 Amps

Installation Information: Before installing, consult installation instructions packed with product for current dimensional data.

HOTPOINT

VWSR3110WWW - Hotpoint 3.2 Cu. Ft. Super Capacity Washer



Features and Benefits

- Super 32 (3.2 cu. ft.) Capacity
- 3 Wash/Spin Speed Combinations
- 4 Wash/Rinse Temperature Settings
- 4 Water Levels
- 11 Cycles:
 - Cottons Regular - Extra Heavy Soil, Heavy Soil, Medium Soil, Light Soil. Delicates, Auto Soak (15 Min), Auto Soak (30 Min.)
 - Auto Soak (15 Min) and Auto Soak (30 Min)
 - Wrinkle-Free Cotton, Permanent Press and Knits
 - Extra Rinse
- Fabric Softener Dispenser
- Bleach Dispenser
- FlexCare™ Agitator
- Rear Lid Opening
- Self-Cleaning Filter
- Tuf Tub™ Basket
- Front Serviceable
- Model VWSR3110WWW - White on white
- Model VWSR3110WAA - Almond on almond

Free Manuals Download Website

<http://myh66.com>

<http://usermanuals.us>

<http://www.somanuals.com>

<http://www.4manuals.cc>

<http://www.manual-lib.com>

<http://www.404manual.com>

<http://www.luxmanual.com>

<http://aubethermostatmanual.com>

Golf course search by state

<http://golfingnear.com>

Email search by domain

<http://emailbydomain.com>

Auto manuals search

<http://auto.somanuals.com>

TV manuals search

<http://tv.somanuals.com>