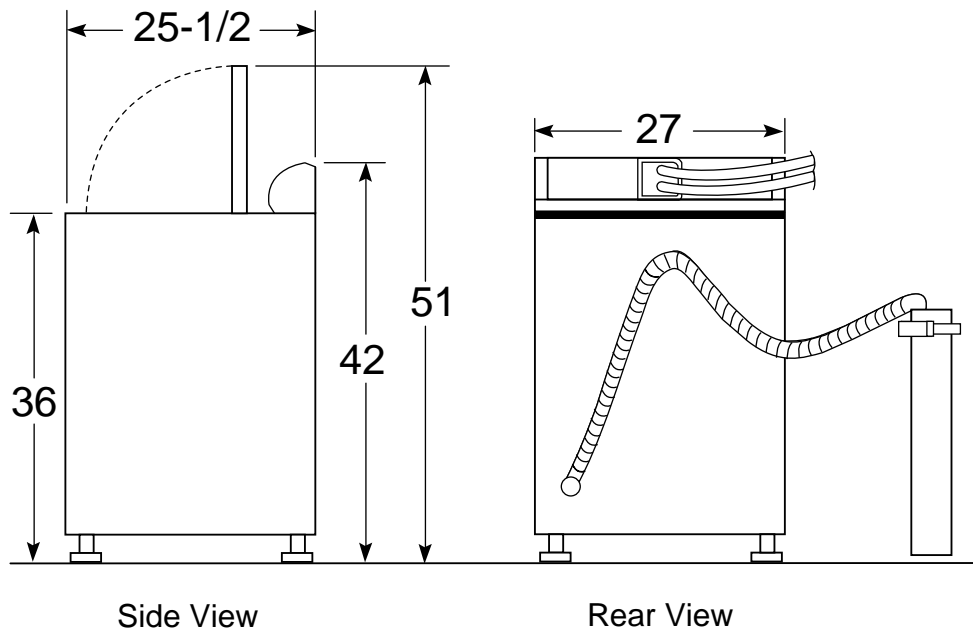


HOTPOINT

VWSR4150BWW - Hotpoint 3.2 Cu. Ft. Super Capacity Washer

Washer Dimensions (in inches)



Circuit Requirements: An individual, properly-grounded branch circuit, with a three-prong grounding-type receptacle, protected by a 15 or 20 amp circuit breaker or a time-delay fuse, is required.

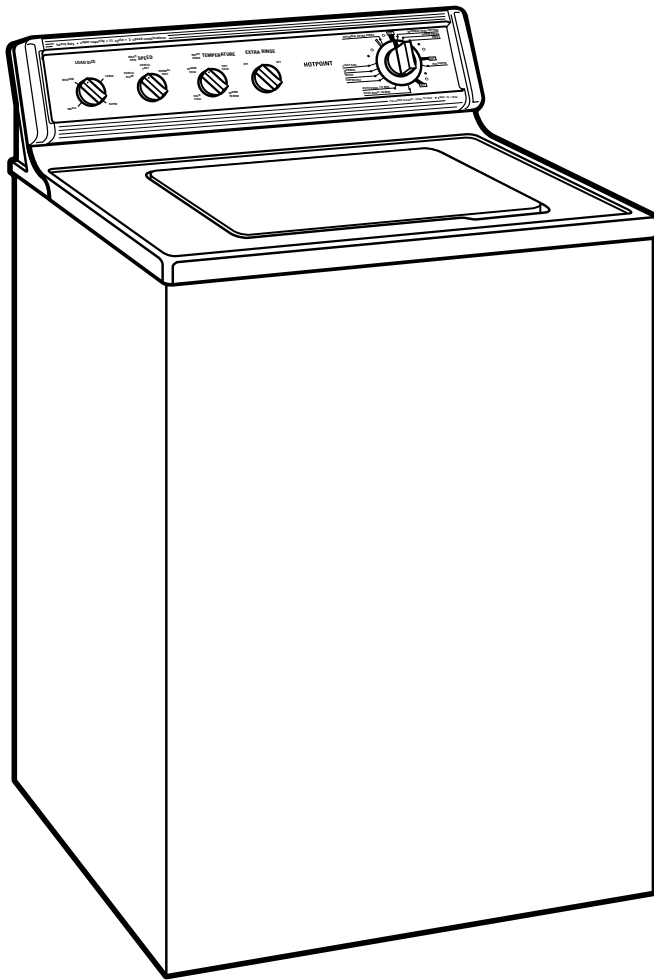
Electrical Rating: 115V, 60Hz, 10 Amps

Installation Information: Before installing, consult installation instructions packed with product for current dimensional data.

Washer Note: Washer wall outlet must be located within 36" of service cord entry. Wall outlet must not be located behind dryer.

HOTPOINT

VWSR4150BWW - Hotpoint 3.2 Cu. Ft. Super Capacity Washer



Features and Benefits

- Super 3.2 Cu. Ft. Capacity
- 4 Wash/Spin Speed Combinations and 4 Wash/Rinse Temperature Settings
- 15 Cycles: Cotton Cycle with Extra Heavy Soil, Heavy Soil, Normal Soil and Light Soil with PreSoak (15/30 Min.), Extra Rinse & Rinse and Spin Options; Wrinkle Free Cycle with Heavy Soil, Normal Soil and Light Soil with Extra Rinse & Rinse and Spin; Delicates Cycle with Normal Soil Cycle
- GentlePower™ Agitator with Variable Water Levels
- Quick Rinse (Prewash) and Extra Rinse Option
- Fabric Softener and Bleach Dispenser
- TufTub™ Basket
- Quiet-By-Design™ Sound Package
- Front Serviceable
- Model VWSR4150BWW—White on White

Specification Created 10/01

Free Manuals Download Website

<http://myh66.com>

<http://usermanuals.us>

<http://www.somanuals.com>

<http://www.4manuals.cc>

<http://www.manual-lib.com>

<http://www.404manual.com>

<http://www.luxmanual.com>

<http://aubethermostatmanual.com>

Golf course search by state

<http://golfingnear.com>

Email search by domain

<http://emailbydomain.com>

Auto manuals search

<http://auto.somanuals.com>

TV manuals search

<http://tv.somanuals.com>