

# HP StorageWorks

## D2600/D2700 Disk Enclosure User Guide

This guide describes the D2600/D2700 6Gb SAS disk enclosure. Installation, cabling, configuration, and troubleshooting procedures are included.

Part number: 504227-002  
Second edition: February 2010



**Legal and notice information**

© Copyright 2009-2010 Hewlett-Packard Development Company, L.P.

The information contained herein is subject to change without notice. The only warranties for HP products and services are set forth in the express warranty statements accompanying such products and services. Nothing herein should be construed as constituting an additional warranty. HP shall not be liable for technical or editorial errors or omissions contained herein.

WARRANTY STATEMENT: To obtain a copy of the warranty for this product, see the warranty information website:

<http://www.hp.com/go/storagewarranty>

**Revision History**

<b>Edition</b>	<b>Date</b>	<b>Description</b>
First	September 2009	Initial release. Described server connect environments.
Second	February 2010	Added information about dual domain configurations; reworked information about server connect environments and added information about controller enclosure connect environments; reworked existing and added new cabling illustrations.

---

# Contents

<b>1 Hardware</b> .....	<b>7</b>
Overview .....	7
Small Form Factor disk enclosure chassis .....	8
Front view .....	8
Drive bay numbering .....	8
Rear view .....	8
Large Form Factor disk enclosure chassis .....	9
Front view .....	9
Drive bay numbering .....	9
Rear view .....	9
Disk drives .....	10
Disk drive LEDs .....	10
Disk drive blanks .....	10
Front status and UID module .....	11
Front UID module LEDs .....	11
Unit identification (UID) button .....	12
Power supply module .....	12
Power supply LED .....	12
Fan module .....	13
Fan module LED .....	13
I/O module .....	14
I/O module LEDs .....	14
Rear power and UID module .....	16
Rear power and UID module LEDs .....	16
Unit identification (UID) button .....	17
Power on/standby button .....	17
SAS cables .....	17
<b>2 Technical specifications</b> .....	<b>19</b>
Physical specifications .....	19
Power and environmental specifications .....	19
<b>3 Deployment types</b> .....	<b>21</b>
<b>4 Installation</b> .....	<b>23</b>
Installation overview .....	23
Required items .....	23
Preliminary tasks .....	24
Determining who will install and configure the disk enclosure .....	24
Confirming support for your hardware and software components .....	24
Signing up to automatically receive advisories, notices, and other messages .....	25
Confirming warranty support and finding out about related services .....	25
Gathering and recording information .....	25
Planning the storage configuration .....	25

System and performance expectations .....	26
Striping methods .....	26
RAID levels .....	26
Disk drive sizes and types .....	27
Spare disks .....	27
Array sizing .....	28
Preparing the site .....	29
Racking the disk enclosure .....	30
Rack installation best practices .....	30
Racking procedures .....	31
Installing disk drives in the enclosure .....	32
Disk drive options .....	32
Disk drive guidelines .....	32
Installing a disk drive .....	32
Installing SAS controllers or controller enclosures .....	34
Preparing the server .....	34
Connecting SAS cables and power cords .....	35
Overview .....	35
Cabling best practices .....	35
Connecting SAS cables to the server or controller enclosure .....	36
Connecting SAS cables to cascaded disk enclosures .....	37
Connecting power cords .....	38
Powering on the disk enclosure .....	39
Power on best practices .....	39
Power on procedures .....	39
Verifying the operating status of the disk enclosures .....	40
<b>5 Configuration .....</b>	<b>41</b>
Configuration overview .....	41
Supported software tools .....	41
<b>6 Operation and management .....</b>	<b>43</b>
Powering on disk enclosures .....	43
Powering off disk enclosures .....	44
Updating disk enclosure firmware .....	44
<b>7 Cabling examples .....</b>	<b>45</b>
Large Form Factor D2600 disk enclosures — maximum capacity configuration .....	46
Small Form Factor D2700 disk enclosures — maximum capacity configuration .....	47
Dual domain example — best fault tolerance cabling .....	48
Dual domain — best performance cabling .....	49
Dual domain—alternative cabling .....	50
<b>8 Troubleshooting .....</b>	<b>51</b>
If the enclosure does not initialize .....	51
Diagnostic steps .....	51
Is the enclosure front fault LED amber? .....	51
Is the enclosure rear fault LED amber? .....	52
Is the power on/standby button LED amber? .....	52
Is the power supply LED amber? .....	52
Is the I/O module fault LED amber? .....	53
Is the fan LED amber? .....	53
Recognizing disk drive failure .....	54

Effects of a disk drive failure .....	54
Compromised fault tolerance .....	54
Factors to consider before replacing disk drives .....	54
Automatic data recovery (rebuild) .....	55
Time required for a rebuild .....	55
Failure of another drive during rebuild .....	55
Handling disk drive failures .....	56
<b>9 Replacement procedures .....</b>	<b>57</b>
Customer self repair (CSR) .....	57
Parts-only warranty service .....	57
Best practices for replacing hardware components .....	57
Verifying component failure .....	57
Identifying the spare part .....	58
Replaceable parts .....	58
Replacing the failed component .....	58
Replacement instructions .....	59
Exploded view .....	59
<b>10 Support and other resources .....</b>	<b>61</b>
Contacting HP .....	61
Before you contact HP .....	61
HP contact information .....	61
Subscription service .....	61
Documentation feedback .....	62
Related information .....	62
Websites .....	62
Document conventions and symbols .....	62
Customer self repair .....	63
Rack stability .....	63
<b>11 Regulatory compliance notices .....</b>	<b>65</b>
Regulatory compliance identification numbers .....	65
Federal Communications Commission notice .....	65
FCC rating label .....	65
Class A equipment .....	65
Modifications .....	66
Cables .....	66
Canadian notice (Avis Canadien) .....	66
Class A equipment .....	66
European Union notice .....	66
Japanese notices .....	66
VCCI-A notice .....	66
Japanese power cord statement .....	67
Korean notices .....	67
Class A equipment .....	67
Taiwanese notices .....	67
BSMI Class A notice .....	67
Chinese notice .....	67
Recycling notices .....	67
English notice .....	67
Bulgarian notice .....	68
Czech notice .....	68

Danish notice .....	68
Dutch notice .....	68
Estonian notice .....	69
Finnish notice .....	69
French notice .....	69
German notice .....	69
Greek notice .....	70
Hungarian notice .....	70
Italian notice .....	70
Latvian notice .....	70
Lithuanian notice .....	71
Polish notice .....	71
Portuguese notice .....	71
Romanian notice .....	71
Slovak notice .....	72
Spanish notice .....	72
Swedish notice .....	72
Turkish notice .....	72

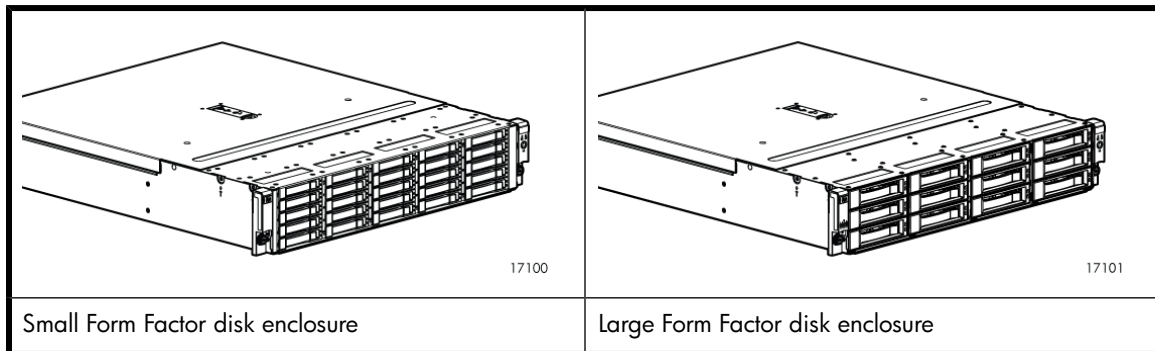
Index .....	73
-------------	----

# 1 Hardware

## Overview

6Gb SAS disk enclosures are available in two models:

- Small Form Factor (SFF): Supports 25 SFF (2.5 inch) disk drives
- Large Form Factor (LFF): Supports 12 LFF (3.5 inch) disk drives



### NOTE:

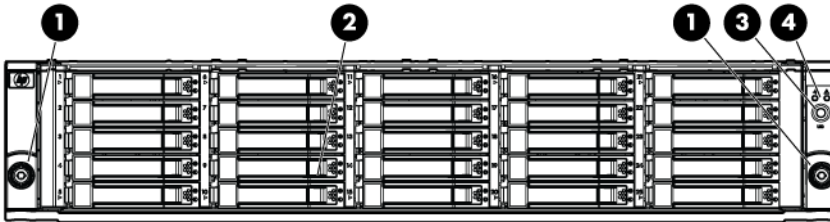
Depending on your disk enclosure model and controller installation environment, one or more disk enclosures can be cascaded from the disk enclosure that is connected to the controller. For more information, see the QuickSpecs for the disk enclosure, available on the D2000 website: <http://www.hp.com/go/D2000>.

The enclosure and its components are detailed in the following sections:

- [Small Form Factor disk enclosure chassis](#), page 8
- [Large Form Factor disk enclosure chassis](#), page 9
- [Disk drives](#), page 10
- [Front status and UID module](#), page 11
- [Power supply module](#), page 12
- [Fan module](#), page 13
- [I/O module](#), page 14
- [Rear power and UID module](#), page 16
- [SAS cables](#), page 17

# Small Form Factor disk enclosure chassis

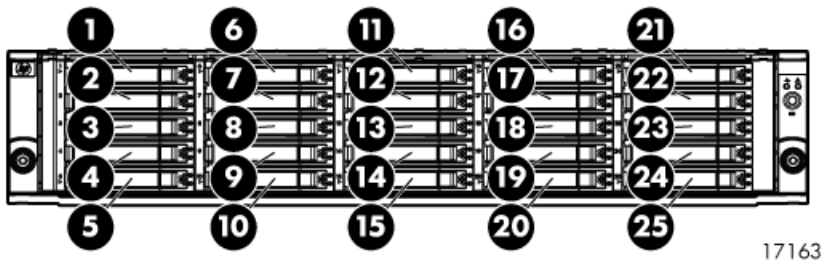
## Front view



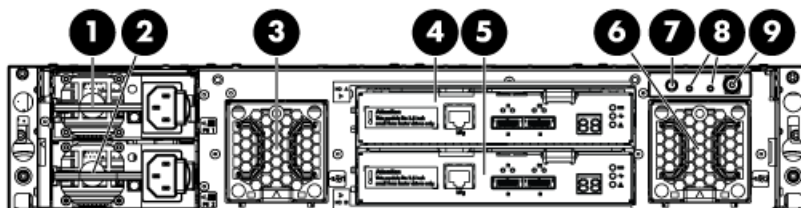
1. Rack-mounting thumbscrews	3. UID push button and LED
2. Disk drive in bay 9	4. Enclosure status LEDs

## Drive bay numbering

Disk drives mount in bays on the front of the enclosure. Bays are numbered sequentially from top to bottom and left to right. Bay numbers are indicated on the left side of each drive bay.



## Rear view

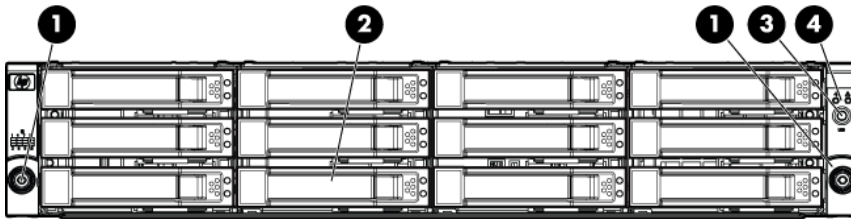


1. Power supply 1	4. I/O module A	7. UID push button and LED
2. Power supply 2	5. I/O module B	8. Enclosure status LEDs
3. Fan 1	6. Fan 2	9. Power push button and LED



# Large Form Factor disk enclosure chassis

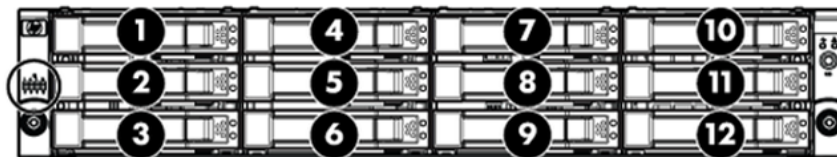
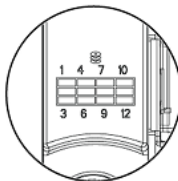
## Front view



1. Rack-mounting thumbscrews	3. UID push button and LED
2. Disk drive in bay 6	4. Enclosure status LEDs

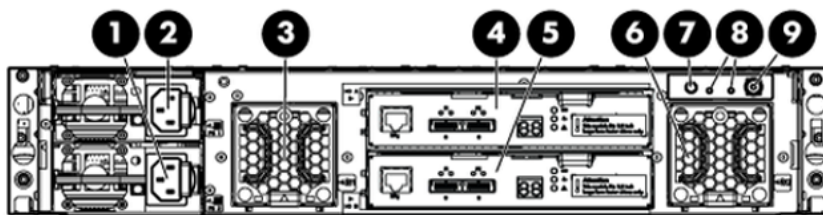
## Drive bay numbering

Disk drives mount in bays on the front of the enclosure. Bays are numbered sequentially from top to bottom and left to right. A drive-bay legend is included on the left bezel.



17158

## Rear view



17149

1. Power supply 1	4. I/O module A	7. UID push button and LED
2. Power supply 2	5. I/O module B	8. Enclosure status LEDs
3. Fan 1	6. Fan 2	9. Power push button and LED

## Disk drives

A variety of disk drive models are supported for use, including dual-ported and single-ported models. For more information, see the QuickSpecs for the disk enclosure, available on the D2000 website: <http://www.hp.com/go/D2000>.

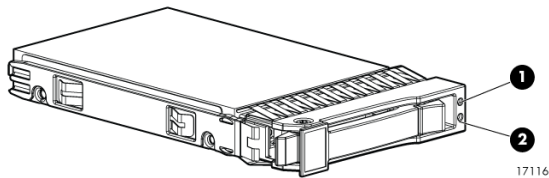
Disk drives are hot-pluggable.

## Disk drive LEDs

Two LEDs indicate drive status.

### NOTE:

The following image shows a Small Form Factor (SFF) disk drive. LED patterns are the same for SFF and LFF disk drives.



LED	LED color	LED status	Description
1. Locate/Fault	Blue	Slow blinking	Used to locate drive
		Medium blinking	Used for critical locate
		Fast blinking	Used for reserved locate
	Amber	Solid	Drive fault
2. Status	Green	Blinking	Drive is spinning up or down and is not ready
		Fast blinking	Drive activity
		Solid	Ready for activity

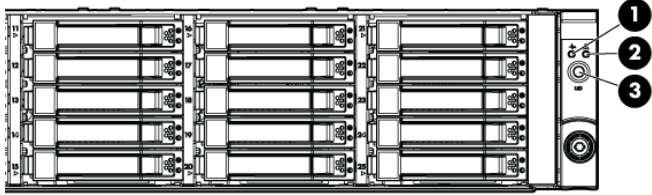
## Disk drive blanks

To maintain the proper enclosure air flow, a disk drive or a disk drive blank must be installed in each drive bay. The disk drive blank maintains proper airflow within the disk enclosure.



# Front status and UID module

The front status and UID module includes status LEDs and a unit identification (UID) button.

## Front UID module LEDs



17105

LED	LED icon	LED color	LED status	Description
1. Health		Green	Off	No power or firmware fault
			Blinking	Enclosure is starting up and not ready, performing POST
			Solid	Power is on
2. Fault		Amber	Off	No fault conditions or no power
			Blinking	A fault of lesser importance was detected in the enclosure chassis or modules
			Solid	A fault of greater importance was detected in the enclosure chassis or modules
3. UID	UID	Blue	Off	Not being identified or power is off
			Blinking	Unit is being identified from the management utility
			Solid	Unit is being identified from the UID button being pushed

## Unit identification (UID) button

The unit identification (UID) button helps locate an enclosure and its components. When the UID button is activated, the UID on the front and rear of the enclosure are illuminated.

---

### NOTE:

A remote session from the management utility can also illuminate the UID.

- To turn on the UID light, press the UID button. The UID light on the front and the rear of the enclosure will illuminate solid blue. (The UID on cascaded storage enclosures are not illuminated.)
- To turn off an illuminated UID light, press the UID button. The UID light on the front and the rear of the enclosure will turn off.

## Power supply module

Two power supplies provide the necessary operating voltages to all controller enclosure components. If one power supply fails, the remaining power supply is capable of operating the enclosure. (Replace any failed component as soon as possible.)

---

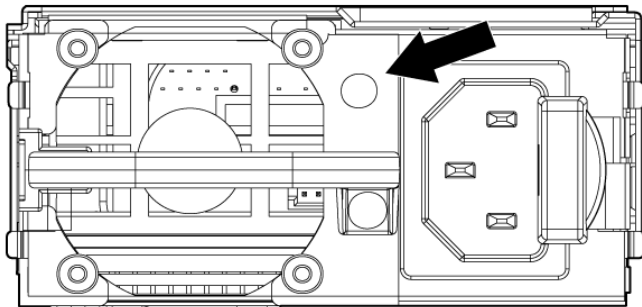
### NOTE:

If one of the two power supply modules fails, it can be hot-replaced.

---

## Power supply LED

One LED provides module status information.



17106

LED color	LED status	Description
Off	Off	No power
Green	Solid	Normal, no fault conditions

## Fan module

Fan modules provide cooling necessary to maintain proper operating temperature within the controller enclosure. If one fan fails, the remaining fan is capable of cooling the enclosure. (Replace any failed component as soon as possible.)

---

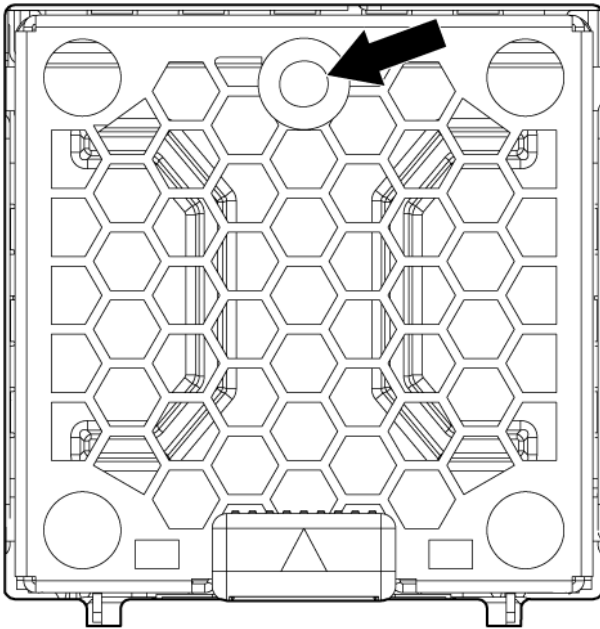
 **NOTE:**

If one of the two fan modules fail, it can be hot-replaced.

---

## Fan module LED

One bi-color LED provides module status information.



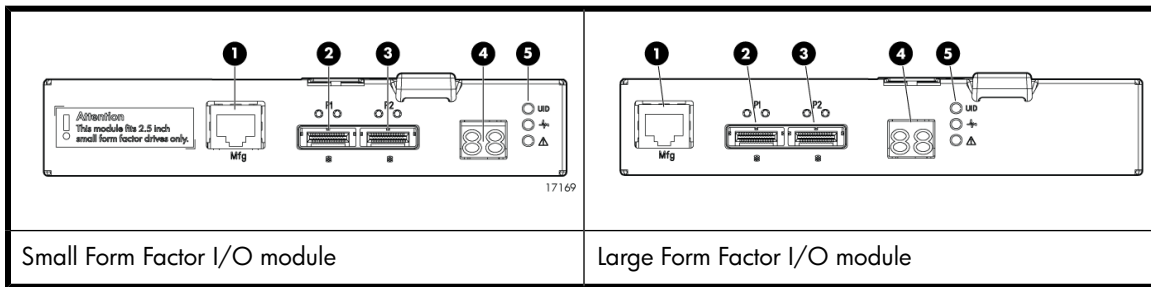
17107

LED color	LED status	Description
Off	Off	No power
Green	Blinking	The module is being identified
	Solid	Normal, no fault conditions
Amber	Blinking	Fault conditions detected
	Solid	Problems detecting the module

# I/O module

The I/O module provides the interface between the disk enclosure and the host.

Each I/O module has two ports that can transmit and receive data for bidirectional operation.



1. Manufacturing diagnostic port	4. Double 7-segment display
2. SAS Port 1	5. I/O module LEDs
3. SAS Port 2	

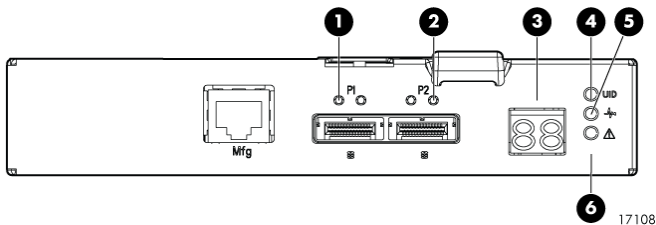
## I/O module LEDs



LEDs on the I/O module provide status information about each I/O port and the entire module.



### NOTE:

The following image illustrates LEDs on the Small Form Factor I/O module.

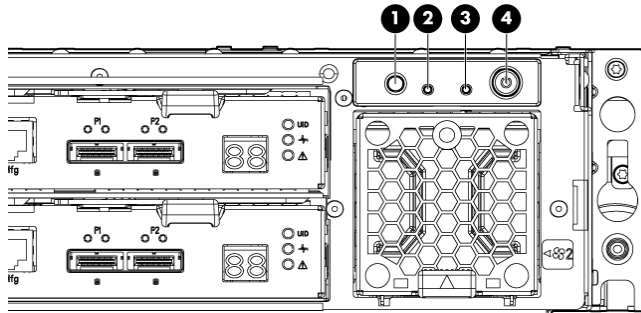


LED	LED icon	LED color	LED status	Description
1. SAS Port Link	n/a	Green	Off	No cable, no power, or port not connected
			Blinking	The port is being identified by an application client
			Solid	Healthy, active link
2. SAS Port Error	n/a	Amber	Off	Normal, no errors detected
			Blinking	Error detected by application client
			Solid	Error, fault conditions detected on the port by the I/O module
3. 7-segment display	n/a	n/a	Off	No cable, no power, enclosure not detected
			Number	The enclosure box number
4. UID	UID	Blue	Off	Not being identified or no power
			Solid	Module is being identified, from the management utility
5. Health		Green	Off	No power or firmware malfunction
			Blinking	Enclosure is starting up and not ready, performing POST
			Solid	Normal, power is on
6. Fault		Amber	Off	Normal, no fault conditions
			Blinking	A fault of lesser importance
			Solid	A fault of greater importance, I/O failed to start

## Rear power and UID module

The rear power and UID module includes status LEDs, a unit identification (UID) button, and the power on/standby button.

### Rear power and UID module LEDs



17109

LED	LED icon	LED color	Status	Description
1. UID	UID	Blue	Off	Not being identified or no power
			On	Unit is being identified, either from the UID button being pushed or from the management utility
2. Health	⚡	Green	Off	No power
			Blinking	Enclosure is starting up and not ready, performing POST
			Solid	Normal, power is on
3. Fault	⚠	Amber	Off	Normal, no fault conditions
			Blinking	A fault of lesser importance
			Solid	A fault of greater importance
4. On/Standby	⏻	Green	Solid	Power is on
		Amber	Solid	Standby power



## Unit identification (UID) button

The unit identification (UID) button helps locate an enclosure and its components. When the UID button is activated, the UID on the front and rear of the enclosure are illuminated.

---

### NOTE:

A remote session from the management utility can also illuminate the UID.

---

- *To turn on the UID light, press the UID button. The UID light on the front and the rear of the enclosure will illuminate solid blue. (The UID on cascaded storage enclosures are not illuminated.)*
- *To turn off an illuminated UID light, press the UID button. The UID light on the front and the rear of the enclosure will turn off.*

## Power on/standby button

The power on/standby button applies either full or partial power to the enclosure chassis.

- *To initially power on the enclosure, press and hold the on/standby button for a few seconds, until the LEDs begin to illuminate.*
- *To place an enclosure in standby, press and hold the on standby button for a few seconds, until the on/standby LED changes to amber.*

---

### NOTE:

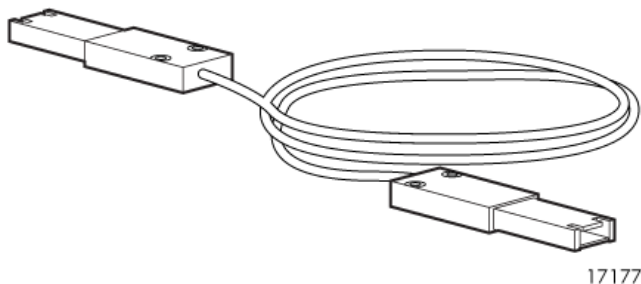
System power to the disk enclosure does not completely shut off with the power on/standby button. The standby position removes power from most of the electronics and components, but portions of the power supply and some internal circuitry remain active. To completely remove power from the system, disconnect all power cords from the device.

---

## SAS cables

These disk enclosures use cables with mini-SAS connectors for connections to the host and to additional cascaded disk enclosures.

Use supported SAS cables with mini-SAS connectors. A variety of SAS cables and cable lengths are supported for use with this disk enclosure. For more information, see the QuickSpecs for the disk enclosure, available on the D2000 website: <http://www.hp.com/go/D2000>.





## 2 Technical specifications

### Physical specifications

<b>Dimensions</b>	Height (2U)	8.8 cm (3.47 in)
	Width	45.0 cm (17.99 in)
	Depth	56.7 cm (22.3 in)
<b>Weight</b>	No disk drives: 17.2 kg (38 lb)	
	Fully populated with SFF disk drives: 24.9 kg (54.90 lb)	
	Fully populated with LFF disk drives: 27.2 kg (59.97 lb)	
<b>Mini SAS connector life expectancy</b>	250 connect/disconnect cycles (for external, internal, and cable Mini SAS connectors)	

### Power and environmental specifications

<b>Temperature range</b> (Temperature ratings shown are for sea level. An altitude rating of 1°C per 300 m (1.8°F per 1,000 ft) to 3048 m (10,000 ft) is applicable. The upper limit might be limited by the type and number of options installed.)	Operating	10°C to 35°C (50°F to 95°F) Maximum rate of change is 10°C/Hr (18°F/Hr)
	Shipping	-40°C to 66°C (-40°F to 150°F) Maximum rate of change is 20°C/Hr (36°F/Hr)
<b>Relative humidity</b> (Non-operating maximum humidity of 95% is based on a temperature of 45°C (113°F). Altitude maximum for storage corresponds to a pressure minimum of 70 KPa.)	Operating	10% to 90% relative humidity (Rh) 28°C (82.4°F) Maximum wet bulb temperature non-condensing
	Non-operating	5% to 95% relative humidity (Rh)
<b>Altitude</b> (Maximum allowable altitude change rate is 457 m/min (1500 ft/min))	Operating	3048 m (10,000 ft) This value might be limited by the type and number of options installed.
	Non-operating	9144 m (30,000 ft)
<b>Input power</b> (Input Power and Heat Dissipation specifications are maximum values and apply to worst-case conditions at full rated power supply load. The power/heat dissipation for your installation will vary depending on the equipment configuration.)	Input voltage	100 to 240 VAC
	Input frequency	50 to 60 Hz
	Input current	2.68 A at 115 VAC typical, 4 A maximum
	Input power (max)	300 W



---

# 3 Deployment types

The following types of deployments are supported:

- **Single domain**

In a single domain deployment, one path exists from the disk enclosure to the host. In a single domain deployment, only one I/O module in the disk enclosure is used

- **Dual domain**

In a dual domain deployment, two paths exist from the disk enclosure to the host. In a dual domain deployment, both I/O modules in the disk enclosure are used. Because dual domain deployments provide two paths to the storage, access is ensured, even in the event of device, cable, or power failure. In dual domain environments, dual-port disk drives are required.

- **Server attached** (single or dual domain)

In a server attached deployment, the disk enclosure is connected to a controller card installed in a server. Several models of controller cards are supported for use with this disk enclosure. For more information, see the QuickSpecs for the disk enclosure.

- **Controller enclosure attached** (single or dual domain)

In a controller enclosure attached deployment, the disk enclosure is connected to a rack-mounted array controller enclosure. The controller enclosure is then connected to the server or network. Several models of array controller enclosures are supported for use with this disk enclosure. For more information, see the QuickSpecs for the disk enclosure.

---

 **NOTE:**

Cabling illustrations are provided elsewhere in this guide, showing a variety of example deployments. See [Chapter 7](#) on page 45.

---



---

# 4 Installation

## Installation overview

Installation steps include:

1. Locating [Required items](#), page 23
2. Completing [Preliminary tasks](#), page 24
3. [Preparing the site](#), page 29
4. [Racking the disk enclosure](#), page 30
5. [Installing disk drives in the enclosure](#), page 32
6. [Connecting SAS cables and power cords](#), page 35
7. [Powering on the disk enclosure](#), page 39
8. [Verifying the operating status of the disk enclosures](#), page 40

## Required items

Items required for installation include the following, some of which ship with the disk enclosure:

- Rack mounting kit
- Disk enclosure
- Disk drives and drive blanks
- SAS controller or controller enclosure
- SAS cables
- Power cables
- Access to a workstation on the server
- Access to the Internet

---

 **NOTE:**

A variety of disk drives, SAS controllers, controller enclosures, and SAS cables are supported for use with this disk enclosure. For more information, see the QuickSpecs for the disk enclosure, available on the D2000 website: <http://www.hp.com/go/D2000>.

---

# Preliminary tasks

Planning tasks include:

- [Determining who will install and configure the disk enclosure](#), page 24
- [Confirming support for your hardware and software components](#), page 24
- [Signing up to automatically receive advisories, notices, and other messages](#), page 25
- [Confirming warranty support and finding out about related services](#), page 25
- [Gathering and recording information](#), page 25
- [Planning the storage configuration](#), page 25

## Determining who will install and configure the disk enclosure

Storage management experience is required to successfully install and configure this product. If you are not familiar with installing and configuring storage array systems, HP can install this product for you. For more information, see the Business & IT Services website: <http://www.hp.com/go/services>.

Different levels of assistance are available. For example, the following services might be included:

- Site inspection
- Verification of operating system patch levels
- Customized virtual disk design
- Array hardware installation and activation of optional software
- Array initialization
- Verification that the implemented solution meets your specifications
- Availability of an HP Services Storage Specialist to answer questions during the deployment process
- Verification testing to confirm product functionality and adherence to HP installation quality standards
- On-site orientation, including highlights of basic operation and a review of documentation

## Confirming support for your hardware and software components

Specific versions of hardware, firmware, software, drivers, and other components are designed to work together.

The *QuickSpecs* for your disk enclosure model provide an up-to-date list of supported servers, operating systems, controllers, switches, and software tools. Download and review the *QuickSpecs* for your disk enclosure model to confirm that the components you plan to use are supported for use with the disk enclosure.

Check the *QuickSpecs* before initially installing the disk enclosure and before making any changes to an existing installation. *QuickSpecs* are available on the D2000 disk enclosures website: <http://www.hp.com/go/D2000>.



## Signing up to automatically receive advisories, notices, and other messages

The Subscriber's Choice website includes options to register for and automatically receive, by e-mail, personalized product tips, update information, driver- and support-related advisories, and other notices for this and other HP devices. Although optional, HP recommends registering all of your HP products with Subscriber's Choice. For more information, see the Subscriber's Choice website: <http://www.hp.com/go/e-updates>.

To register for and automatically receive product tips, update information, driver- and support-related advisories, see the Subscriber's Choice website: <http://www.hp.com/go/e-updates>. Click **Subscribe** and follow the onscreen instructions to select all of the HP products for which you want to receive notices. While subscribing, indicate your delivery preference (HTML, text, or RSS) and frequency of delivery (as they become available, weekly, or monthly).

## Confirming warranty support and finding out about related services

The standard warranty protects against product defects and some causes of downtime. You can extend your warranty with HP Care Pack Services. This portfolio of predefined packages is flexible, allowing you to extend coverage to the exact level of support required. You choose the support level that meets your business requirement, from basic to mission-critical.

Recommended service levels and appropriate related services for your particular disk enclosure model are listed on the QuickSpecs. For more information, see the Storage Services website: <http://www.hp.com/hps/storage>.

## Gathering and recording information

A brief worksheet is included on the getting started instructions that is shipped with the disk enclosure. As you gather and identify the hardware and software components for your environment, use the worksheet to record information about your components and your configuration. Some information is easily obtained before installing the disk enclosure, while some of the information is created during the configuration process.

A basic worksheet is included on the poster, but HP recommends creating and keeping more detailed records.

Information recorded on the worksheet is used during the initial system setup and configuration, and is helpful for future configuration changes and troubleshooting purposes.

---

### NOTE:

If a supplier is installing or configuring your disk enclosure, provide them with the poster, and verify that they complete the worksheet and record other important configuration and set up information.

---

## Planning the storage configuration

Proper planning of the system storage and its subsequent performance is critical to a successful deployment of the disk enclosure. Improper planning or implementation can result in wasted storage space, degraded performance, or inability to expand the system to meet growing storage needs.

Storage planning considerations include:

- System and performance expectations
- Striping methods
- RAID levels
- Disk drive sizes and types
- Spare drives
- Array sizing (capacity)



#### NOTE:

For the minimum supported configuration, and other configuration information, see the QuickSpecs for the disk enclosure.

---

## System and performance expectations

To help determine the best way to configure your storage, rank the following three storage characteristics in order of importance:

- Fault tolerance (high availability)
- I/O performance
- Storage efficiency

With priorities established, you can determine which striping method and RAID level to use; some configuration methods offer greater fault tolerance, while other configuration methods offer better I/O performance or storage efficiency.

## Striping methods

There are two methods for configuring the physical layout of the disk arrays:

- Vertical striping—the RAID array uses one physical drive from each disk enclosure.
- Horizontal striping—the RAID array uses multiple drives contained within one or more disk enclosures.

## RAID levels

Controllers use RAID technology to group multiple disk drives together in larger logical units (LUNs).

Key RAID methods include the use of data striping, data mirroring, and parity error checking. Data striping improves speed by performing virtual disk I/O with an entire group of physical disks at the same time. Mirroring provides data redundancy by storing data and a copy of the data. Parity error checking provides automatic detection and correction if corruption of a physical disk occurs.

Depending on the host environment, the following RAID levels are supported with this disk enclosure: RAID0, RAID1, RAID5 and RAID6 with ADG. Each level uses a different combination of RAID methods that impact data redundancy, the amount of physical disk space used, and I/O speed. After you create a LUN, you cannot change the RAID level.

The following table compares the different RAID levels.

	Summary	Best practices	Data redundancy	RAID method
RAID0	RAID0 is optimized for I/O speed and efficient use of physical disk capacity, but provides no data redundancy.	<b>IMPORTANT:</b> Do not use RAID0 for LUNs if fault tolerance is required. Consider RAID0 only for noncritical storage. RAID0 LUNs provide the best performance for applications that use random I/O.	None	Striping
RAID1	RAID1 is optimized for data redundancy and I/O speed, but uses the most physical disk space. <b>IMPORTANT:</b> RAID1 uses about 100% more physical disk space than RAID0 and 70% more than RAID5.	In general, RAID1 virtual disks provide better performance characteristics over a wider range of application workloads than RAID5.	High	Mirroring
RAID5	RAID5 provides a balance of data redundancy, I/O speed and efficient use of physical disk space.	RAID5 virtual disks can provide performance advantages over RAID1 for some applications that use sequential I/O. Consider RAID5 disks for applications with high sequential I/O of records in multiples of 8K bytes. The larger the record size, the greater the advantage.	Medium	Striping and parity
RAID6	Like RAID5, RAID6 generates and stores parity information to protect against data loss caused by drive failure. With RAID6, however, two different sets of parity data are used, allowing data to be preserved if two drives fail.	RAID6 is most useful when data loss is unacceptable but cost is also an important factor. The probability that data loss will occur when an array is configured with RAID6 is less than it would be if it was configured with RAID5. However, write performance is lower than RAID5 because of the two sets of parity data.	High	Striping and parity

## Disk drive sizes and types

RAID arrays should be composed of disk drives of the same size and performance capability. When drives are mixed within a disk enclosure, the usable capacity and the processing ability of the entire storage sub-system is affected. For example, when a RAID array is composed of different sized drives, the RAID array defaults to the smallest individual drive size, and capacity in the larger drives goes unused.

## Spare disks

Spare disks are disks that are not active members of any particular array, but have been configured to be used when a disk in one of the arrays fails. If a spare is present, it will immediately be used to begin rebuilding the information that was on the failed disk, using parity information from the other member disks. During the rebuilding process, the array is operating in a reduced state and, unless it is a RAID6 or RAID1+0 array, it cannot tolerate another disk failure in the same array. If another disk

fails at this time, the array becomes inaccessible and information stored there must be restored from backup.

After the rebuild of the data onto the spare is completed, when a replacement drive is inserted to replace the failed drive, the system will automatically transfer the data from the spare onto the replacement drive and return the spare to an available-spare state. It is important to note that the process of rebuilding the spare or the replacement drive must not be interrupted or the process will be aborted.

Some administrators have multiple spare disks, so that multiple arrays can experience failure and successfully recover, before administrative intervention would be required to replace the spare or failed disk. When assigning a spare to an array, the administrator chooses which arrays and how many arrays are protected by that spare.

## Array sizing

As a general rule, the greater the number of drives that are included in an array, the greater the performance level that can be achieved. However, performance considerations are offset by fault tolerance considerations. The greater the number of drives in an array, the higher the probability of one or more disk failures in that array. The administrator must strike a balance between performance and fault tolerance.

# Preparing the site

Preparing your site includes:

- **Providing adequate structural support**

Calculate the total weight of your equipment and verify that your site can support the weight.

For HP ProLiant server environments, consider using Rack Builder, a software tool that provides a simplified method to planning and configuring racks and rack-mountable products. Rack Builder is available on the Options tab of the ProLiant Home page of the HP servers website: <http://www.hp.com/country/us/eng/prodserv/servers.html>.

- **Providing adequate clearance space and ventilation**

Be sure to provide adequate clearance around the front and back of the racks. Provide at least 63.5 cm (25 in) in the front of the rack to allow the doors to open fully and provide at least 76.2 cm (30 in) in the rear of the rack to allow for servicing and airflow.

If there are unused spaces in your rack, attach blanking panels across those empty spaces to force the airflow through the components instead of through the open spaces.

- **Providing adequate and redundant sources of power**

Make sure that you have two high-line power feeds installed near your computer. These two power sources usually come from the same external power grid, but occasionally might originate from different grids or even entirely different sources.

For protection against a power-source failure, obtain and include two uninterruptible power supplies in your installation.

For power consumption specifications, see the QuickSpecs for your disk enclosure model.

To ensure continuous, safe, and reliable operation of your equipment, place your system in an approved environment.

Consider using the HP Enterprise Configurator (eCO) to help plan and configure racks and rack-mountable devices. The eCO is available on the HP website: <http://h30099.www3.hp.com/configurator>.

## Racking the disk enclosure

The disk enclosure can be installed into most standard server racks. To verify that your rack is supported for use with the disk enclosure, see the QuickSpecs for the disk enclosure, available on the D2000 website: <http://www.hp.com/go/D2000>.

---

### △ CAUTION:

Install disk drives in the enclosures only after mounting the enclosures in the rack.

- A disk enclosure populated with disk drives is too heavy to lift safely.
  - Movement of a disk enclosure during installation might damage the internal storage media of installed disk drives.
- 

## Rack installation best practices

In addition to industry-standard recommendations, consider the following:

- Locate the heaviest items, such as uninterruptible power supplies (UPS) and additional disk enclosures near the bottom of the rack.
- To make cabling easy, install the disk enclosures below the server.
- Install similar components next to each other in the rack. Because disk enclosures, switches, and servers are of differing depths, if you have more than one of a device, mount those devices adjacent to one another to accommodate working behind the rack.

---

### △ WARNING!

To reduce the risk of personal injury or damage to the equipment, be sure that:

- At least two people lift the storage system during removal or installation if the weight exceeds 22.7 kg (50 lb). If the system is being loaded into the rack above chest level, a third person **MUST** assist with aligning the system with the rails while the other two people support the weight of the system.
  - The leveling jacks on the rack are extended to the floor.
  - The full weight of the rack rests on the leveling jacks.
  - The stabilizing feet are attached to the rack if it is a single-rack installation.
  - The racks are coupled together in multiple-rack installations.
  - Only one component in a rack is extended at a time. A rack might become unstable if more than one component is extended.
  - To prevent damage and to ease insertion of the device into the rack, support the weight of the device and keep it level when sliding it into the rack.
-

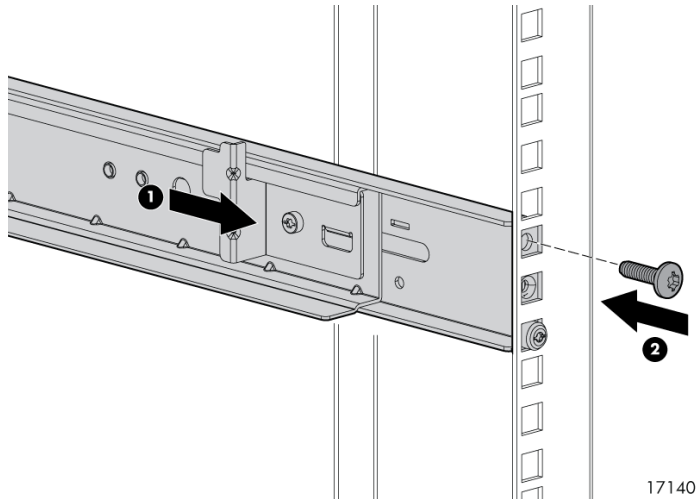
## Racking procedures

1. Position left and right rack rails at the desired 'U' position in the rack, adjusting the rails to fit the rack, as needed (1).
2. Secure rack rails to the front and back rack columns using screws. Make sure that the shoulders of the screws fit inside the square or round holes of the rack (2).

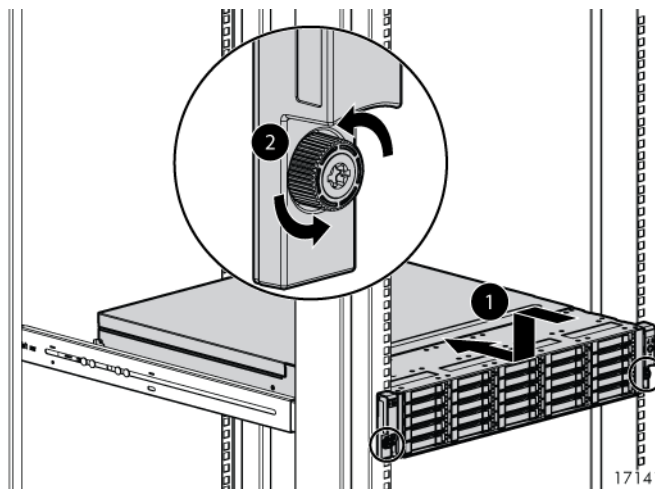


### NOTE:

If installing rails in a square hole rack, use larger-sized shoulder screws and pins for mounting.  
If installing rails in a round hole rack, use smaller-sized shoulder screws and pins for mounting.



3. Slide the device into position on the rails (1) and then tighten the thumbscrews on the front of the device to secure the device to the rack.



### NOTE:

The rear ends of the rails have a bracket that must engage the device chassis to secure the rear of the chassis to the rails.

# Installing disk drives in the enclosure

## Disk drive options

Depending on the enclosure model, 12 or 25 disk drives can be installed in the enclosure.

A variety of disk drive models are supported for use, including dual-ported and single-ported models. For more information about supported disk drives, see the QuickSpecs for the disk enclosure, available on the D2000 website: <http://www.hp.com/go/D2000>.

## Disk drive guidelines

---

### △ CAUTION:

- Follow industry-standard practices when handling disk drives. Internal storage media can be damaged when drives are shaken, dropped, or roughly placed on a work surface.
  - When installing a disk drive, press firmly to make sure the drive is fully seated in the drive bay and then close the latch handle.
  - When removing a disk drive, press the release button and pull the drive only slightly out of the enclosure. Then, to allow time for the internal disk to stop rotating, wait approximately 10 seconds before completely removing the drive from the enclosure.
  - Always populate hard drive bays starting with the lowest bay number. If only one hard drive is used, install it in the bay with the lowest device number.
  - Disk drives are hot-pluggable.
  - SAS and SATA disk drives may be installed in the same enclosure, but can not be included in the same RAID logical volume.
- 

## Installing a disk drive

---

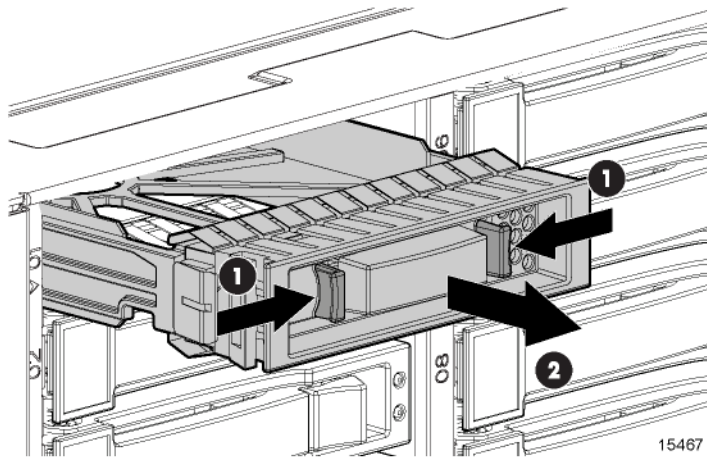
### △ CAUTION:

To prevent improper cooling and thermal damage, operate the enclosure only when all bays are populated with either a component or a blank.

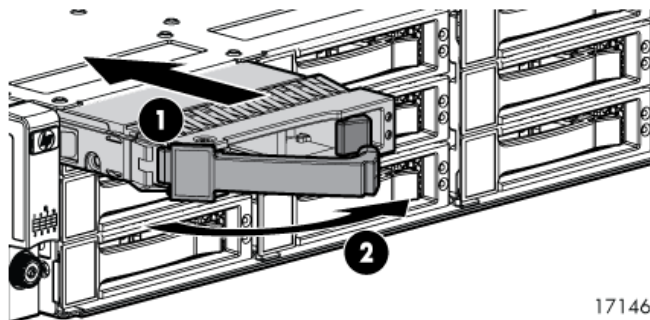
---

1. Remove the drive blank.





2. Unlatch and swing out the latch handle on the drive. Then, slide the drive into the bay (1), pressing firmly on the drive to seat it. Close the latch handle (2), pressing firmly until it locks in place.



---

ⓘ **IMPORTANT:**

When a drive is inserted in an operational enclosure, the drive LEDs flash to indicate that the drive is seated properly and receiving power.

---

3. Determine the status of the hard drive (see [Drive status reporting](#)).

---

ⓘ **IMPORTANT:**

For proper airflow and cooling, a drive blank must remain installed in all unused drive bays.

---

# Installing SAS controllers or controller enclosures

When installing controllers or controller enclosures, be sure to do the following.

- Record information about the controller or controller enclosure that will connect to the disk enclosure.
- Depending on your deployment, do one of the following:
  - For server connect deployments, install one or more Smart Array controllers in the server that will access the disk enclosure.
  - For controller enclosure connect deployments, install or locate the controller enclosure to which the disk enclosure will connect.

---

## NOTE:

For detailed installation and configuration information about controller cards or controller enclosures, see the documentation provided with the controller card or controller enclosure.

---

# Preparing the server

When preparing servers for the disk enclosure, be sure to do the following.

- Record information about the server and environment (server connect or controller enclosure connect) that will connect to the disk enclosure.
- Verify that the servers, controllers, operating system version, and service packs are supported for use with the disk enclosure. For more information, see the QuickSpecs for the disk enclosure, available on the D2000 website: <http://www.hp.com/go/D2000>.
- Install all operating-system-specific service packs, patch kits, or other required tools.
- Install HP system management and monitoring tools, such as HP Systems Insight Manager (HP-SIM) and the Array Configuration Utility (ACU).

---

## NOTE:

For detailed installation and configuration information about the server or the software tools, see the documentation provided with the server or software.

---

# Connecting SAS cables and power cords

## Overview

Connecting cables includes the following steps:

1. Reading the [Cabling best practices](#), page 35.
2. [Connecting SAS cables to the server or controller enclosure](#), page 36.
3. [Connecting SAS cables to cascaded disk enclosures](#), page 37.
4. [Connecting power cords](#), page 38.

---

### ! IMPORTANT:

The following illustrations demonstrate connecting a disk enclosure to a server with an installed controller. In your environment, the disk enclosure might connect to a controller enclosure, which then connects to the host or network. Cabling restrictions may exist for the different installation environments. For more information, see the user documents for your controller or controller enclosure.

---

---

### 📝 NOTE:

For additional examples of cabling scenarios, see [Chapter 7](#) on page 45.

---

## Cabling best practices

- Use supported SAS cables and power cords. A variety of cables and cable lengths are supported for use with this disk enclosure. For more information, see the QuickSpecs for the disk enclosure, available on the D2000 website: <http://www.hp.com/go/D2000>.
- Use the shortest possible cable between devices. Shorter cables reduce the possibility of signal degradation that might occur over longer distances. In addition, shorter cables are easier to manage and route along the back of the rack.
- Gather cables in the rear of the disk enclosure to ensure that the cabling in the back of the rack system does not interfere with system operation or maintenance. Bind cables loosely with cable ties and route the cables out of the way, along the side of the rack. When the cables are tied together and routed down the side of the rack, system components and indicators are easily visible and accessible.
- Bind and support cables in a manner that eliminates stress on connectors and tight bends of the cables. This prevents damage to the connector and cable, and ensures that the connector remains fully seated in the port.
- Attach a label near both ends of each cable to identify the device connected to that cable. Include the device, device name, port, or other useful information.
- Use colored markers to color code both ends of each cable, to help visually identify a particular cable without having to read or locate the label.
- In multipath configurations, you might want to loosely bind the matching pair of cables connecting devices.

## Connecting SAS cables to the server or controller enclosure

To connect the first disk enclosure to the server or controller enclosure, use a standard mini-SAS cable.

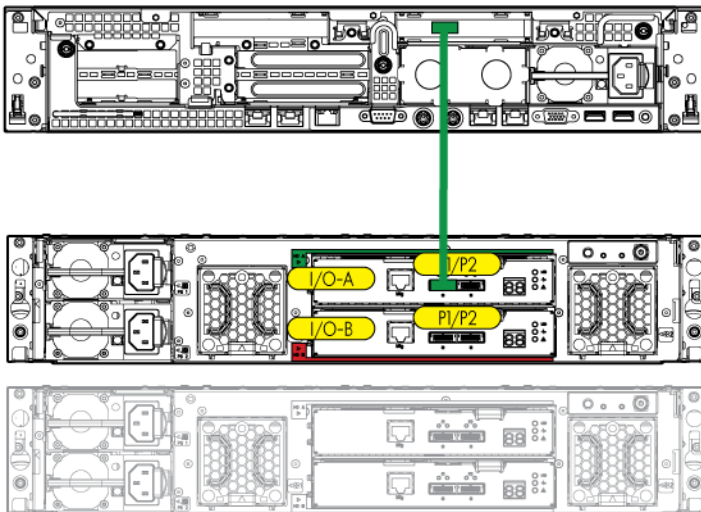
### ! IMPORTANT:

When connecting this disk enclosure in a single-domain environment, only the top I/O module (I/O module A) in the disk enclosure is supported for use.

Observe the following guidelines:

- Only use supported SAS cables with mini-SAS connectors.
- Ensure that the servers or controller enclosures are powered down and power cords are disconnected before connecting SAS cables to the disk enclosure.

The following illustration demonstrates connecting a disk enclosure to a server with an installed controller. In your environment, the disk enclosure might connect to a controller enclosure, which then connects to the host or network. Regardless of environment, cabling principles from the disk enclosure to the host are the same.



Note the following when connecting cables:

- P1 on the disk enclosure I/O module is treated as the SAS “in” port.
- P2 on the disk enclosure I/O module is treated as the SAS “out” port.
- In single-domain configurations, one cable path is created between the host, the primary disk enclosure, and additional cascaded disk enclosures. (Shown)
- In dual-domain configurations, two cable paths are created between the host, the primary disk enclosure, and additional cascaded disk enclosures.

## Connecting SAS cables to cascaded disk enclosures

To cascade additional disk enclosures from the disk enclosure that is connected to the server or controller enclosure, use standard mini-SAS cables.

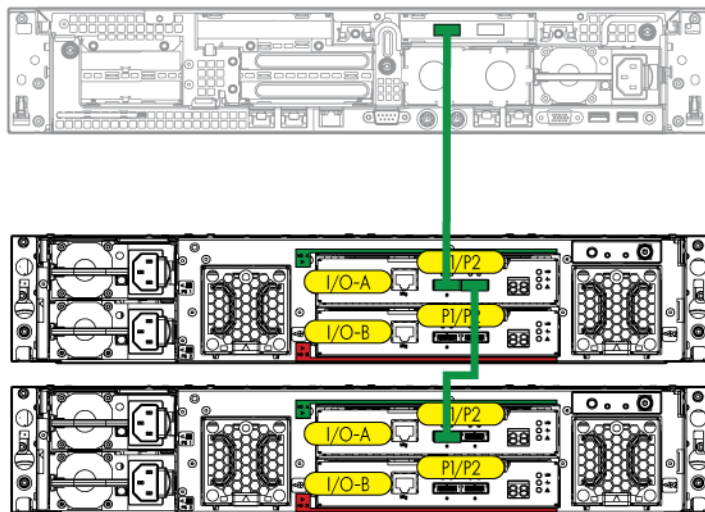
As additional disk enclosures are connected to the first disk enclosure, they are assigned a box number. The assigned box number is displayed on the 7-segment display on the rear of the disk enclosure.

### ! IMPORTANT:

- When connecting this disk enclosure in a single-domain environment, only the top I/O module (I/O module A) in the disk enclosure is supported for use.
- The number of supported cascaded disk enclosures varies per disk enclosure model and installation environment. For more information, see the QuickSpecs for the disk enclosure, controller, or controller enclosure, available on the HP storage website: <http://www.hp.com/go/storage>.

Observe the following guidelines:

- Only use supported SAS cables with mini-SAS connectors.
- Use provided color clues on the disk enclosure when cabling cascaded disk enclosures; for example, connect “green” ports to “green” ports (connect I/O module A on one disk enclosure to I/O module A on the additional disk enclosure).



Note the following when connecting cables:

- P1 on the disk enclosure I/O module is treated as the SAS “in” port.
- P2 on the disk enclosure I/O module is treated as the SAS “out” port.
- In single-domain configurations, one cable path is created between the host, the primary disk enclosure, and additional cascaded disk enclosures. (Shown)
- In dual-domain configurations, two cable paths are created between the host, the primary disk enclosure, and additional cascaded disk enclosures.

## Connecting power cords

When connecting power cords, use the cords shipped with the disk enclosure.

The power cord should be approved for use in your country. The power cord must be rated for the product and for the voltage and current marked on the electrical ratings label of the product. The voltage and current rating for the cord should be greater than the voltage and current rating marked on the product. In addition, the diameter of the wire must be a minimum of 1.00 mm<sup>2</sup> or 18 AWG, your maximum length may be up to 3.66 m (12 ft).

After power is supplied to the disk enclosure, the power supply automatically senses the input voltage and the power supply LED illuminates as solid amber.

To protect the system from power-failure-related downtime, each disk enclosure ships standard with a redundant power supply. Depending how you connect the power supplies to the power source, you can eliminate downtime caused by power-related failures.

Connection Method	Level of Protection
Connected to: <ul style="list-style-type: none"><li>• one power source</li></ul>	Protects you from downtime when one of the disk enclosure power supplies fails. The remaining power supply/fan module can operate the disk enclosure until you install a replacement module.
Connected to: <ul style="list-style-type: none"><li>• two separate power sources</li></ul>	Protects you from downtime when one of the disk enclosure power supplies fails. Protects you from data loss when <b>one</b> of your power sources fails, due to a pulled cable or tripped breaker. The remaining power source can power the disk enclosure until the failed power source is restored or relocated. Depending on the cause and duration of the power outage, you can use this time to properly shut down your storage sub-system.
Connected to: <ul style="list-style-type: none"><li>• two UPS</li><li>• two separate power sources</li></ul>	Protects you from downtime when one of the disk enclosure power supplies fails. Protects you from data loss when <b>one</b> or <b>both</b> of your power sources fails, due to a pulled cable, tripped breaker, or local power outage. The remaining power source or the UPS will power the disk enclosure until power is restored to the source. Depending on the cause and duration of the power outage, you can use this time to properly shut down your storage sub-system.

---

### WARNING!

To reduce the risk of electric shock or damage to the equipment:

- Do not disable the power cord grounding plug. The grounding plug is an important safety feature.
  - Plug the power cord into a grounded (earthed) electrical outlet that is easily accessible at all times.
  - Route the power cord so that it is not likely to be walked on or pinched by items placed against it. Pay particular attention to the plug, electrical outlet, and the point where the cord is attached to the disk enclosure.
-

# Powering on the disk enclosure

After disk enclosures are physically installed and cabled, power on all devices and verify that they are operating properly.

## Power on best practices

Observe the following best practices before powering on the enclosure for the first time:

- Complete the server, controller, or controller enclosure installation. For more information, see the server, controller, or controller enclosure user documents.
- Install the disk enclosures.
- Install disk drives in the disk enclosures so that the connected host controller can identify and configure them at power on.
- Connect the SAS cables and power cords to the enclosure.

## Power on procedures

1. Apply power to each UPS.
2. Apply power to all disk enclosures by pressing and holding the power on/standby button on the rear of the disk enclosures until the system power LED illuminates solid green.  
The LED on the power on/standby button changes from amber to solid green, indicating that the disk enclosure has transitioned from a standby state to fully powered.
3. Wait a few minutes for the disk enclosures to complete their startup routines.

---

△ **CAUTION:**

If power is applied to the server before the disk enclosures complete their startup routine, the server might not properly discover the storage.

---

4. Apply power to the controller enclosure (if included in the configuration).
5. Power on (or restart) the server with access to the disk enclosures, start the operating system, and log on as administrator.

---

△ **CAUTION:**

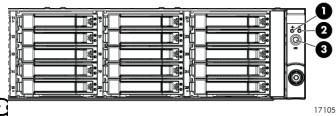
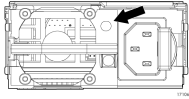
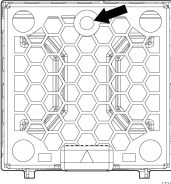
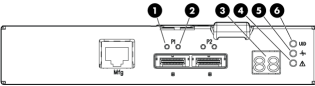
When you power on the server, the monitor might display a “New Hardware Found” message. Cancel out of this window to prevent the installation of unsupported software.

---

6. Verify that each component is operating properly.

## Verifying the operating status of the disk enclosures

To verify that the disk enclosures and disk drives are operating properly, view the enclosure and disk drive LEDs and compare them with the patterns described in the following table. If LED patterns are not as expected, check cable connections between the devices, check the availability of your power source, review the installation procedures, and remove and reinsert the module. For more information about disk enclosure LEDs, see [Chapter 1](#) on page 7.

Disk enclosure component	LED	Startup condition	Operating condition	Fault condition
Front UID module 	1. Health	Blinking green	Solid green	Off
	2. Fault	Blinking amber	Off	Blinking or Solid Amber
	3. UID	Blinking blue	Off	Off
Power supply module 	Status	Green	Solid green	Off
Fan module 	Status	Solid green	Solid green	Blinking or solid amber
I/O module 	1. Port Link		Blinking or solid green	Off
	2. Port Error		Off	Solid amber
	3. 7-segment display		A number, representing the box number	Off
	4. Fault		Off	Blinking or solid amber
	5. Health	Blinking green	Solid green	Off
	6. UID		Off	Off



---

# 5 Configuration

## Configuration overview

Regardless of the installation environment, operating system, or software tool used to configure the disk enclosure, the following tasks must be completed:

- Updating controller or controller enclosure firmware or drivers. Instructions are included with the controller or controller enclosure.
- Updating disk enclosure firmware. Instructions are included with the firmware. For more information, see [“Updating disk enclosure firmware”](#) on page 44.
- Configuring the disk enclosure and its storage.
  - Creating the logical storage units (LUNs).
  - Entering global controller settings, such as setting the read/write cache ratio, setting the rebuild/expand priority, and setting the redundancy level.
  - Identifying the operating system type (also called Host Mode or Profile) of the host that will access the disk enclosure. This ensures that the disk enclosure will communicate properly with that host.
  - Verifying that the configured storage is visible to the host.

## Supported software tools

A variety of configuration, management, and diagnostic tools are supported for use with these disk enclosures. Which tools are supported for your installation environment is determined by the controller or controller enclosure to which the disk enclosure is connected.

For support information, see the QuickSpecs and user documents for the controller or controller enclosure.



---

# 6 Operation and management

Included topics:

- [Powering on disk enclosures](#), page 43
- [Powering off disk enclosures](#), page 44
- [Updating disk enclosure firmware](#), page 44

## Powering on disk enclosures

---

### ❗ IMPORTANT:

Always power on disk enclosures before controller enclosures and servers. This ensures that servers, during the discovery process, identify the enclosures and installed disk drives as operational devices.

---

1. Apply power to each UPS. For more information, see the UPS documentation.
2. Apply power to the disk enclosures. Press and hold the power on/standby button on the disk enclosures until the system power LED illuminates solid green.  
The LED on the power on/standby button changes from amber to solid green, indicating that the disk enclosure has transitioned from a standby state to fully powered.
3. Wait a few minutes for the disk enclosures to complete their startup routines.

---

### ❗ IMPORTANT:

If power is applied to the server before disk enclosures complete their startup routine, the server might not properly discover the storage and may erroneously mark the drives as failed when the server is powered on.

---

4. Apply power to the controller enclosure (if included in the configuration). For more information, see the controller enclosure documentation.
5. Power on (or restart) the server with access to the disk enclosures, start the operating system, and log on as administrator. For more information, see the server documentation.

---

### ❗ IMPORTANT:

When you power on the server, the monitor might display a “New Hardware Found” message. Cancel out of this window to prevent the installation of unsupported software.

---

6. Verify that each component is operating properly.

# Powering off disk enclosures

---

❗ **IMPORTANT:**

Always power off disk enclosures after controller enclosures and servers.

---

---

❗ **IMPORTANT:**

When installing a hot-pluggable component, such as a disk drive, it is not necessary to power down the enclosure.

---

To power off a disk enclosure:

1. Power off any attached servers. For more information, see the server documentation.
2. Power off the controller enclosure (if included in the configuration.) For more information, see the controller enclosure documentation.
3. Power off the disk enclosures. Press and hold the power on/standby button on the disk enclosure for three seconds or until the system power LED changes from green to amber.
4. Disconnect power cords.

The system is now without power.

# Updating disk enclosure firmware

After initial installation and periodically after that, verify that all devices in the configuration have the latest available firmware installed.

**To determine currently-installed firmware and software versions** on system components, use management software utilities such as the HP System Management Homepage, HP Systems Insight Manager (HP SIM), Storage Management Utility (SMU), or Command Line Interface (CLI).

**To obtain the latest-available firmware and software**, see the HP website: <http://www.hp.com/support>.

**To perform the update**, follow the procedures for your environment:

- For server connect environments, execute the downloaded Smart Component using the Firmware Maintenance CD.
- For controller enclosure connect environments, install the firmware download using the Storage Management Utility (SMU) or Command Line Interface (CLI).

---

 **NOTE:**

You can receive proactive support alerts, such as Customer Advisories, as well as updates on drivers, software, firmware, and customer replaceable components, via e-mail through HP Subscriber's Choice. Sign up for Subscriber's Choice at the following HP website: <http://www.hp.com/go/myadvisory> and select the appropriate product.

---

---

# 7 Cabling examples

The following basic cabling examples are included:

- Large Form Factor D2600 disk enclosures — maximum capacity configuration
- Small Form Factor D2700 disk enclosures — maximum capacity configuration
- Dual domain example — best fault tolerance cabling
- Dual domain — best performance cabling
- Dual domain—alternative cabling

---

ⓘ **IMPORTANT:**

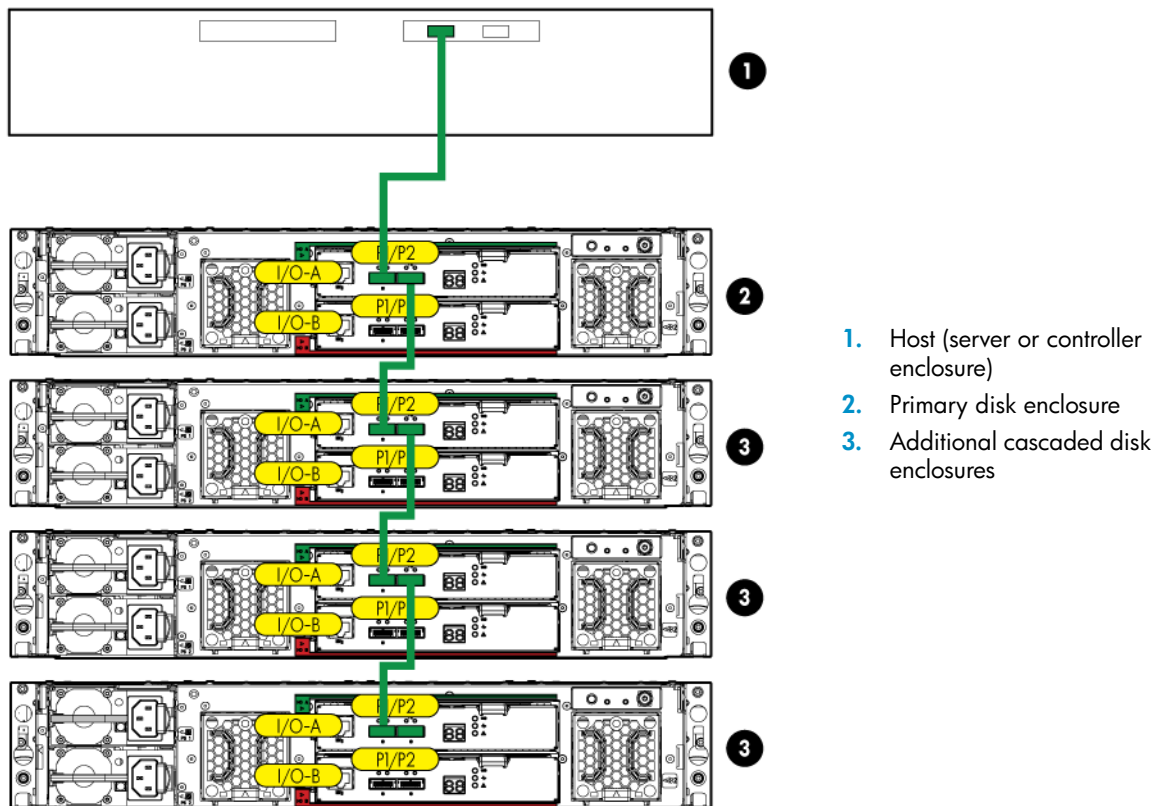
The following illustrations demonstrate connecting disk enclosures to a generic host. Cabling restrictions may exist for server connect and controller enclosure connect environments. For more information, see the user documents for your controller or controller enclosure.

---

# Large Form Factor D2600 disk enclosures — maximum capacity configuration

This example illustrates cabling for a single-domain configuration. In this configuration, note the following:

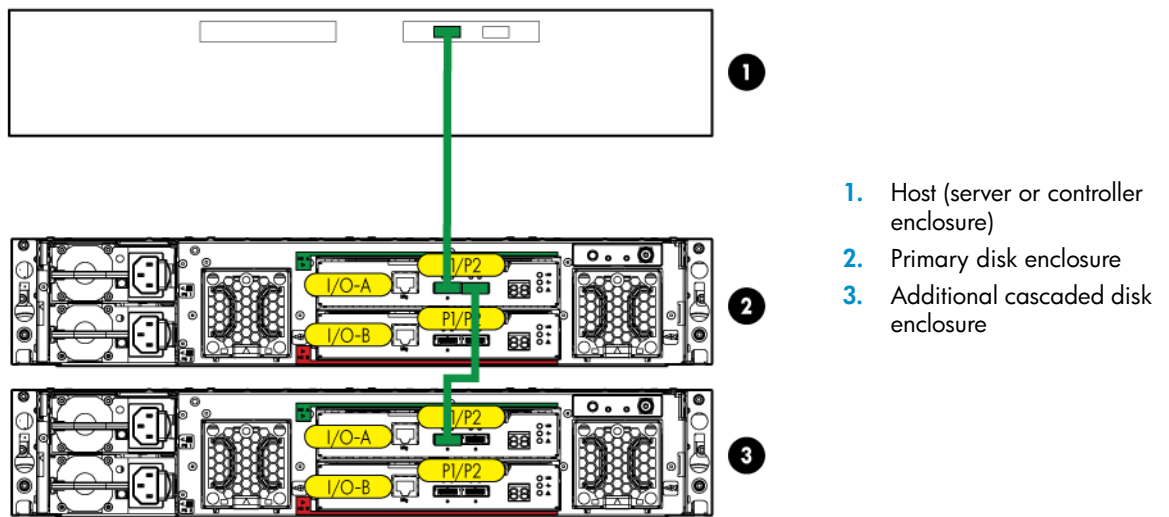
- P1 on the disk enclosure I/O module is treated as the SAS “in” port.
- P2 on the disk enclosure I/O module is treated as the SAS “out” port.
- In single-domain configurations, one cable path is created between the host, the primary disk enclosure, and additional cascaded disk enclosures. (Shown)
- In dual-domain configurations, two cable paths are created between the host, the primary disk enclosure, and additional cascaded disk enclosures.



# Small Form Factor D2700 disk enclosures — maximum capacity configuration

This example illustrates cabling for a single-domain configuration. In this configuration, note the following:

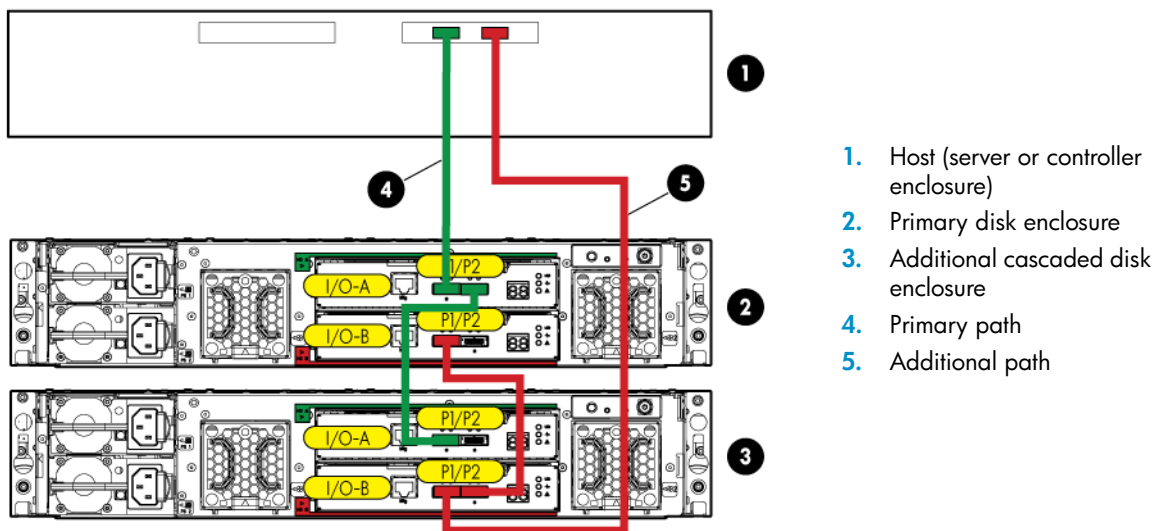
- P1 on the disk enclosure I/O module is treated as the SAS “in” port.
- P2 on the disk enclosure I/O module is treated as the SAS “out” port.
- In single-domain configurations, one cable path is created between the host, the primary disk enclosure, and additional cascaded disk enclosures. (Shown)
- In dual-domain configurations, two cable paths are created between the host, the primary disk enclosure, and additional cascaded disk enclosures.



## Dual domain example — best fault tolerance cabling

This example illustrates cabling for a dual-domain configuration in a pattern that offers best possible fault tolerance. In this configuration, note the following:

- A multi-port, dual-domain controller in the host and dual-port disk drives in the disk enclosure are required for dual-domain deployments.
- Cables from each I/O module in the disk enclosure to the server or controller enclosure and to additional cascaded disk enclosures provide dual-domain connectivity.
- The reversing of the cable paths ensures access to the storage, even if the controller, cable, enclosure I/O module, or enclosure power supply fails.
- This example illustrates using a Small Form Factor disk enclosure with one additional cascaded disk enclosure. When using Large Form Factor disk enclosures, more than one additional disk enclosure can be cascaded. For more information, see the QuickSpecs for the Large Form Factor disk enclosure.

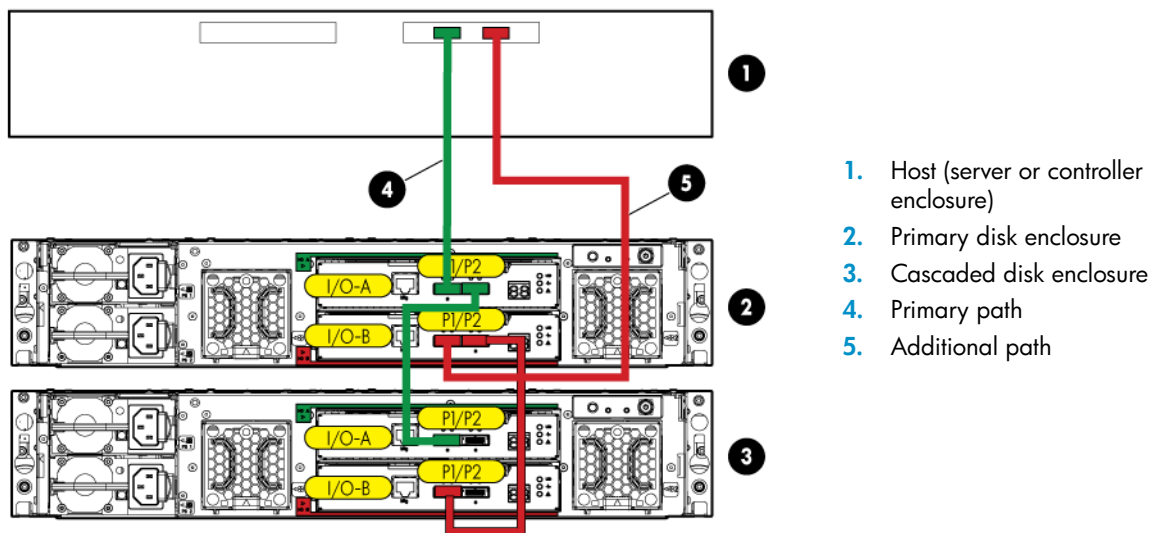




## Dual domain — best performance cabling

This example illustrates cabling for a dual-domain configuration in a pattern that offers best possible performance. In this configuration, note the following:

- A multi-port, dual-domain controller in the host and dual-port disk drives in the disk enclosure are required for dual-domain deployments.
- Cables from each I/O module in the disk enclosure to the server or controller enclosure and to additional cascaded disk enclosures provide dual-domain connectivity.
- The symmetrical cabling pattern lowers latency and provides best possible performance.
- This example illustrates using a Small Form Factor disk enclosure with one additional cascaded disk enclosure. When using Large Form Factor disk enclosures, more than one additional disk enclosure can be cascaded. For more information, see the QuickSpecs for the Large Form Factor disk enclosure.



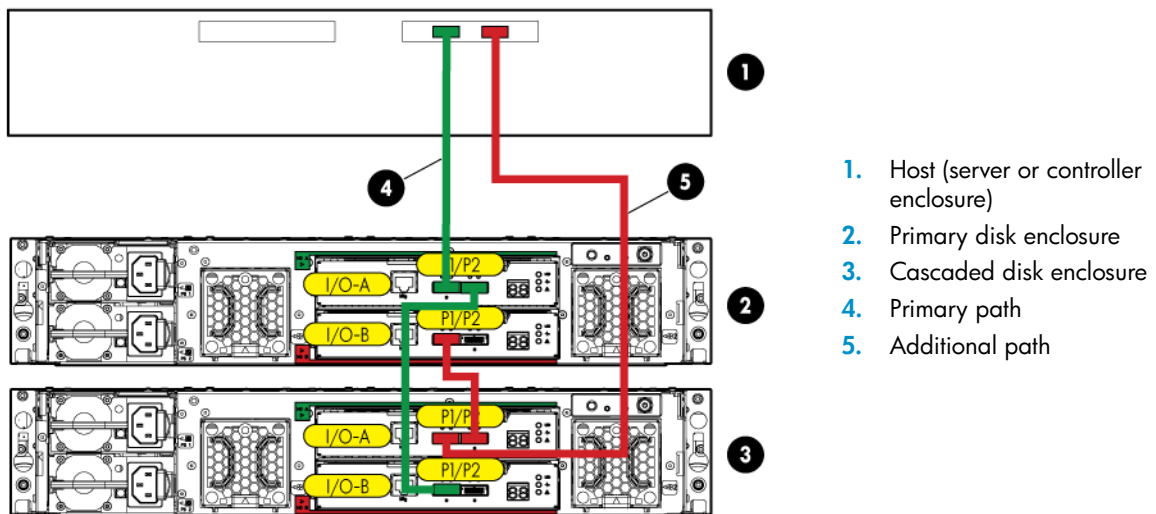
## Dual domain—alternative cabling

This example illustrates cabling for a dual-domain configuration in a pattern that offers a balance of fault tolerance and performance. In this configuration, note the following:

- A multi-port, dual-domain controller in the host and dual-port disk drives in the disk enclosure are required for dual-domain deployments.
- Cables from each I/O module in the disk enclosure to the server or controller enclosure and to additional cascaded disk enclosures provide dual-domain connectivity.
- The crossing of the cables between each disk enclosure offers both good fault tolerance and good performance, but may be confusing to implement and maintain.
- This example illustrates using a Small Form Factor disk enclosure with one additional cascaded disk enclosure. When using Large Form Factor disk enclosures, more than one additional disk enclosure can be cascaded. For more information, see the QuickSpecs for the Large Form Factor disk enclosure.

### ① IMPORTANT:

This cabling scheme is supported for use only when the disk enclosure is connected to a Smart Array controller.



# 8 Troubleshooting

## If the enclosure does not initialize

ⓘ **IMPORTANT:**

After a power failure, the system automatically returns to the last-powered state (On or Off) when A/C power is restored.

1. Ensure that the power on/standby button was pressed firmly and held for approximately three seconds.
2. Verify that the power on/standby button LED is green.
3. Verify that the power source is working:
  - a. Verify that the power supplies are working by viewing the power supply LEDs. If necessary, remove and reinstall the power supplies to verify that they are seated properly.
  - b. Remove and inspect AC power cords from both power supplies and reconnect them.

## Diagnostic steps

### Is the enclosure front fault LED amber?

Answer	Possible Reasons	Actions
No	System functioning properly.	No action required.
Yes	<ul style="list-style-type: none"><li>• Front Status and UID module might not be inserted properly, might have a damaged connector, or might have failed.</li><li>• Possible error condition exists.</li></ul>	<ul style="list-style-type: none"><li>• Be sure that the Front Status and UID module is undamaged and is fully seated.</li><li>• Check rear fault LEDs to isolate failed component.</li><li>• Contact an authorized service provider for assistance.</li></ul>

## Is the enclosure rear fault LED amber?

Answers	Possible Reasons	Actions
No	Functioning properly.	No action required
Yes	Rear power and UID module might not be inserted properly, might have a damaged connector, or might have failed.	<ul style="list-style-type: none"> <li>• Be sure that the rear power and UID module is undamaged and is fully seated.</li> <li>• Contact an authorized service provider for assistance.</li> </ul>

## Is the power on/standby button LED amber?

Answer	Possible Reasons	Possible Solutions
No	System functioning properly.	No action required.
Yes	<ul style="list-style-type: none"> <li>• The power on/standby button has not been pressed firmly or held long enough.</li> <li>• The system might have experienced a short. Controller firmware might be corrupted.</li> <li>• The system midplane and/or power button/LED assembly might need to be replaced.</li> </ul>	<ul style="list-style-type: none"> <li>• Firmly press the power on/standby button and hold for approximately three seconds.</li> <li>• Be sure that all components are fully seated.</li> <li>• Update controller firmware.</li> <li>• Contact an authorized service provider for assistance.</li> </ul>

## Is the power supply LED amber?

Answers	Possible Reasons	Actions
No	<ul style="list-style-type: none"> <li>• Power cords not connected or AC power is unavailable.</li> <li>• Power supply functioning properly.</li> </ul>	<ul style="list-style-type: none"> <li>• Remove and inspect the AC power cords from both power supplies and reconnect them.</li> <li>• No action required.</li> </ul>
Yes	<ul style="list-style-type: none"> <li>• Power supply might not be inserted properly, might have a damaged connector, or might have failed.</li> </ul>	<ul style="list-style-type: none"> <li>• Be sure that the power supply is undamaged and is fully seated.</li> <li>• Be sure that all pins on connectors and components are straight.</li> <li>• Contact an authorized service provider for assistance.</li> </ul>

## Is the I/O module fault LED amber?

Answer	Possible Reasons	Possible Solutions
No	Functioning properly.	No action required.
Yes	<ul style="list-style-type: none"> <li>The I/O module is locked.</li> <li>The I/O module has failed.</li> <li>Other fault condition exists.</li> </ul>	<ul style="list-style-type: none"> <li>Make sure that the I/O module is seated properly by pressing the I/O module firmly into its bay after the handle has clicked in place.</li> </ul> <hr/> <p>△ <b>CAUTION:</b> Never remove an I/O module from the chassis while the status LED is green. Removing an active I/O module can result in data loss.</p> <hr/> <ul style="list-style-type: none"> <li>Contact an authorized service provider for assistance.</li> </ul>

## Is the fan LED amber?

Answers	Possible Reasons	Actions
No	Functioning properly.	No action required
Yes	Fan might not be inserted properly, might have a damaged connector, or might have failed.	<ul style="list-style-type: none"> <li>Be sure that the fan is undamaged and is fully seated.</li> <li>Contact an authorized service provider for assistance.</li> </ul>

## Recognizing disk drive failure

In an HP enclosure, a steadily glowing fault LED indicates that a disk drive has failed. Other indications of failed disk drives are as follows:

- ACU represents failed drives with a distinctive icon.
- HP SIM can detect failed drives remotely across a network. (For more information about HP SIM, see the documentation on the Management CD.)
- ADU lists all failed drives.
- Operating System log files

For additional information about diagnosing disk drive problems, see the HP ProLiant Servers Troubleshooting Guide.

## Effects of a disk drive failure

When a disk drive fails, all logical drives that are in the same array are affected. Each logical drive in an array might be using a different fault-tolerance method, so each logical drive can be affected differently.

- RAID0 configurations cannot tolerate drive failure. If any physical drive in the array fails, all non-fault-tolerant (RAID0) logical drives in the same array also fail.
- RAID1+0 configurations can tolerate multiple drive failures as long as no failed drives are mirrored to one another (with no spares assigned).
- RAID5 configurations can tolerate one drive failure (with no spares assigned).
- RAID6 with ADG configurations can tolerate simultaneous failure of two drives (with no spares assigned).

## Compromised fault tolerance

If more disk drives fail than the fault-tolerance method allows, fault tolerance is compromised, and the logical drive fails.

## Factors to consider before replacing disk drives

Before replacing a degraded drive:

- Open HP SIM and inspect the Error Counter window for each physical drive in the same array to confirm that no other drives have any errors. For details, see the HP SIM documentation on the Management CD.
- Be sure that the array has a current, valid backup.
- Use replacement drives that have a capacity at least as great as that of the smallest drive in the array. The controller immediately fails drives that have insufficient capacity.

To minimize the likelihood of fatal system errors, take these precautions when removing failed drives:

- Do not remove a degraded drive if any other drive in the array is offline (the online LED is off). In this situation, no other drive in the array can be removed without data loss.
- **Exceptions:**
  - When RAID1+0 is used, drives are mirrored in pairs. Several drives can be in a failed condition simultaneously (and they can all be replaced simultaneously) without data loss, as long as no two failed drives belong to the same mirrored pair.

- When RAID6 with ADG is used, two drives can fail simultaneously (and be replaced simultaneously) without data loss.
- If the offline drive is a spare, the degraded drive can be replaced.
- Do not remove a second drive from an array until the first failed or missing drive has been replaced and the rebuild process is complete. (The rebuild is complete when the Online LED on the front of the drive stops blinking.)

**Exceptions:**

- In RAID6 with ADG configurations, any two drives in the array can be replaced simultaneously.
- In RAID1+0 configurations, any drives that are not mirrored to other removed or failed drives can be simultaneously replaced offline without data loss.

## Automatic data recovery (rebuild)

When you replace a disk drive in an array, the controller uses the fault-tolerance information on the remaining drives in the array to reconstruct the missing data (the data that was originally on the replaced drive) and write it to the replacement drive. This process is called automatic data recovery, or rebuild. If fault tolerance is compromised, this data cannot be reconstructed and is likely to be permanently lost.

### Time required for a rebuild

- The time required for a rebuild varies considerably, depending on several factors:
- The priority that the rebuild is given over normal I/O operations (you can change the priority setting by using ACU)
- The amount of I/O activity during the rebuild operation
- The rotational speed of the disk drives
- The availability of drive cache
- The model and age of the drives
- The amount of unused capacity on the drives
- The number of drives in the array (for RAID5 and RAID6 with ADG)

Allow approximately 5 minutes per gigabyte without any I/O activity during the rebuild process. This figure is conservative, and newer drive models usually require less time to rebuild.

System performance is affected during the rebuild, and the system is unprotected against further drive failure until the rebuild has finished. Therefore, replace drives during periods of low activity when possible.

---

△ **CAUTION:**

If the Online LED of the replacement drive stops blinking and the amber fault LED glows, or if other drive LEDs in the array go out, the replacement drive has failed and is producing unrecoverable disk errors. Remove and replace the failed replacement drive.

---

When automatic data recovery has finished, the online LED of the replacement drive stops blinking and begins to glow steadily.

### Failure of another drive during rebuild

If a non-correctable read error occurs on another physical drive in the array during the rebuild process, the Online LED of the replacement drive stops blinking and the rebuild abnormally terminates. If this

situation occurs, restart the server. The system might temporarily become operational long enough to allow recovery of unsaved data. In any case, locate the faulty drive, replace it, and restore data from backup.

## Handling disk drive failures

If the controller was configured with hardware fault tolerance, complete the following steps after a disk drive failure:

1. Determine which physical drive failed. On hot-plug drives, an amber drive failure LED illuminates.
2. If the unit containing the failed drive does not support hot-plug drives, perform a normal shutdown.
3. Remove the failed drive and replace it with a drive that is of the same capacity. For hot-plug drives, after you secure the drive in the bay, the LEDs on the drive each flash once in an alternating pattern to indicate a successful connection. The online LED flashes, indicating that the controller recognized the drive replacement and began the recovery process.
4. Power on the server, if applicable.
5. The controller reconstructs the information on the new drive, based on information from the remaining physical drives in the logical drive. While reconstructing the data on hot-plug drives, the online LED flashes. When the drive rebuild is complete, the online LED is illuminated.



---

# 9 Replacement procedures

## Customer self repair (CSR)

Information in “Exploded view” on page 59 identifies hardware components that are customer replaceable. Using WEBES, ISEE or other diagnostic tools, a support specialist will work with you to diagnose and assess whether a replacement component is required to address a system problem. The specialist will also help you determine whether you can perform the replacement.

## Parts-only warranty service

Your HP Limited Warranty might include a parts-only warranty service. Under the terms of parts-only warranty service, HP will provide replacement parts free of charge.

For parts-only warranty service, CSR part replacement is mandatory. If you request HP to replace these parts, you will be charged for travel and labor costs.

## Best practices for replacing hardware components

The following information will help you replace the hardware components on your storage system successfully.

---

### △ CAUTION:

Removing a component significantly changes the air flow within the enclosure. Components or a blanking panel must be installed for the enclosure to cool properly. If a component fails, leave it in place in the enclosure until a new component is available to install.

---

## Verifying component failure

- Consult HP technical support to verify that the hardware component has failed and that you are authorized to replace it yourself.
- Additional hardware failures can complicate component replacement. Check your management utilities to detect any additional hardware problems:
  - When you have confirmed that a component replacement is required, you might want to clear the failure message from the display. This makes it easier to identify additional hardware problems that might occur while waiting for the replacement part.
  - Before installing the replacement part, check the management utility for new hardware problems. If additional hardware problems have occurred, contact HP support before replacing the component.

## Identifying the spare part

Parts have a nine-character spare part number on their label. For some spare parts, the part number might be available in the management software utility. Alternatively, the HP call center will assist in identifying the correct spare part number.

## Replaceable parts

This product contains the replaceable parts illustrated in “Exploded view” on page 59.

Parts that are available for customer self repair (CSR) are indicated as follows:

- Mandatory CSR where geography permits. Order the part directly from HP and repair the product yourself. On-site or return-to-depot repair is not provided under warranty.
- Optional CSR. You can order the part directly from HP and repair the product yourself, or you can request that HP repair the product. If you request repair from HP, you might be charged for the repair depending on the product warranty.
- No CSR. The replaceable part is not available for self repair. For assistance, contact an HP-authorized service provider

For more information about CSR, contact your local service provider or see the CSR website: <http://www.hp.com/go/selfrepair>

To determine the warranty service provided for this product, see the warranty information website: <http://www.hp.com/go/storagewarranty>

To order a replacement part, contact an HP-authorized service provider or see the HP Parts Store online: <http://www.hp.com/buy/parts>

## Replacing the failed component

---

### △ CAUTION:

Components can be damaged by electrostatic discharge (ESD). Use proper anti-static protection.

- Always transport and store components in an ESD protective enclosure.
- Do not remove the components from the ESD protective enclosure until you are ready to install it.
- Always use ESD precautions, such as a wrist strap, heel straps on conductive flooring, and an ESD protective smock when handling ESD sensitive equipment.
- Avoid touching the components connector pins, leads, or circuitry.
- Do not place ESD generating material such as paper or non anti-static (pink) plastic in an ESD protective enclosure with ESD sensitive equipment.

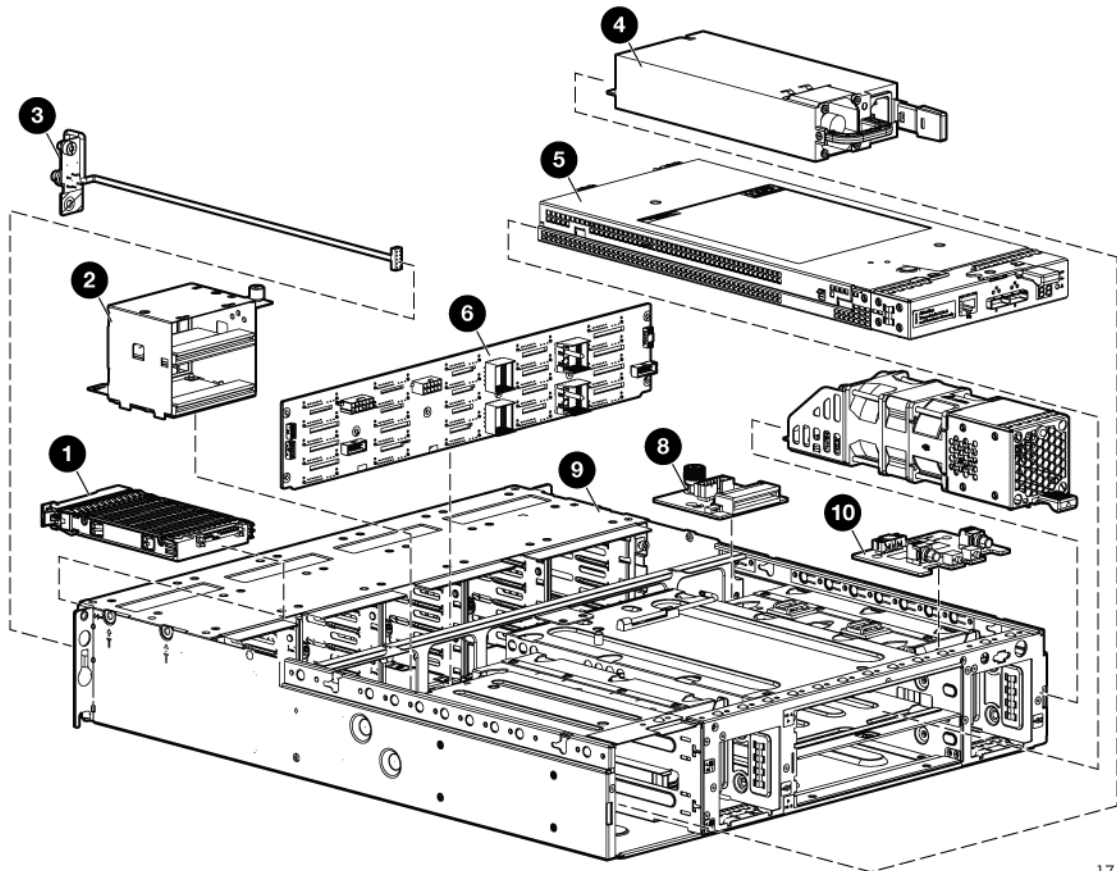
- 
- HP recommends waiting until periods of low storage system activity to replace a component.
  - When replacing components at the rear of the rack, cabling might obstruct access to the component. Carefully move any cables out of the way to avoid loosening any connections. In particular, avoid cable damage that might be caused by:
    - Kinking or bending.
    - Disconnecting cables without capping. If uncapped, cable performance might be impaired by contact with dust, metal or other surfaces.

- Placing removed cables on the floor or other surfaces, where they might be walked on or otherwise compressed.

## Replacement instructions

Printed instructions are shipped with the replacement part. Instructions for all replaceable components are also posted to the HP website: <http://www.hp.com/support/manuals>.

## Exploded view



17170

Description	CSR status
1. Disk drive	Mandatory
2. Voltage Regulator Module (VRM)	Mandatory
3. Front Unit ID	Mandatory
4. Power supply	Mandatory
5. I/O module	Mandatory
6. Backplane	Mandatory
7. Fan module	Mandatory
8. Fan module interconnect board	Mandatory
9. Drive cage	Not a CSR part
10. Rear power UID module	Mandatory

To order a replacement part, contact an HP-authorized service provider or see the HP Parts Store online: <http://www.hp.com/buy/parts>

---

# 10 Support and other resources

## Contacting HP

### Before you contact HP

Be sure to have the following information available before you call or contact HP:

- Technical support registration number (if applicable)
- Product serial number
- Product model name and number
- Product identification number
- Applicable error message
- Add-on boards or hardware
- Third-party hardware or software
- Operating system type and revision level

### HP contact information

For the name of the nearest HP authorized reseller:

- See the Contact HP worldwide (in English) website:  
<http://welcome.hp.com/country/us/en/wwcontact.html>.

For HP technical support:

- In the United States, for contact options see the Contact HP United States website:  
[http://welcome.hp.com/country/us/en/contact\\_us.html](http://welcome.hp.com/country/us/en/contact_us.html). To contact HP by phone:
  - Call 1-800-HP-INVENT (1-800-474-6836). This service is available 24 hours a day, 7 days a week. For continuous quality improvement, calls might be recorded or monitored.
  - If you have purchased a Care Pack (service upgrade), call 1-800-633-3600. For more information about Care Packs, see the HP website:  
<http://www.hp.com/hps>.
- In other locations, see the Contact HP worldwide (in English) website:  
<http://welcome.hp.com/country/us/en/wwcontact.html>.

### Subscription service

HP recommends that you register your product at the Subscriber's Choice for Business website:  
<http://www.hp.com/go/e-updates>.

After registering, you will receive email notification of product enhancements, new driver versions, firmware updates, and other product resources.

## Documentation feedback

HP welcomes your feedback.

To make comments and suggestions about product documentation, please send a message to [storageDocsFeedback@hp.com](mailto:storageDocsFeedback@hp.com). All submissions become the property of HP.

## Related information

### Websites

- HP: <http://www.hp.com>
- HP storage: <http://www.hp.com/go/storage>
- HP support: <http://www.hp.com/support>
- HP manuals: <http://www.hp.com/support/manuals>
- HP downloads: <http://www.hp.com/support/downloads>

## Document conventions and symbols

Convention	Element
Blue text: <a href="#">Document conventions and symbols</a>	Cross-reference links and e-mail addresses
Blue, underlined text: <a href="http://www.hp.com">http://www.hp.com</a>	Website addresses
<b>Bold text</b>	<ul style="list-style-type: none"><li>• Keys that are pressed</li><li>• Text typed into a GUI element, such as a box</li><li>• GUI elements that are clicked or selected, such as menu and list items, buttons, tabs, and check boxes</li></ul>
<i>Italic text</i>	Text emphasis
Monospace text	<ul style="list-style-type: none"><li>• File and directory names</li><li>• System output</li><li>• Code</li><li>• Commands, their arguments, and argument values</li></ul>
<i>Monospace, italic text</i>	<ul style="list-style-type: none"><li>• Code variables</li><li>• Command variables</li></ul>
Monospace, bold text	Emphasized monospace text

---

### **WARNING!**

Indicates that failure to follow directions could result in bodily harm or death.

---

---

 **CAUTION:**

Indicates that failure to follow directions could result in damage to equipment or data.

---

 **IMPORTANT:**

Provides clarifying information or specific instructions.

---

 **NOTE:**

Provides additional information.

---

 **TIP:**

Provides helpful hints and shortcuts.

---

## Customer self repair

HP customer self repair (CSR) programs allow you to repair your StorageWorks product. If a CSR part needs replacing, HP ships the part directly to you so that you can install it at your convenience. Some parts do not qualify for CSR. Your HP-authorized service provider will determine whether a repair can be accomplished by CSR.

For more information about CSR, contact your local service provider or see the CSR website:  
<http://www.hp.com/go/selfrepair>.

This product has no customer replaceable components.

## Rack stability

Rack stability protects personnel and equipment.

---

 **WARNING!**

To reduce the risk of personal injury or damage to equipment:

- Extend leveling jacks to the floor.
  - Ensure that the full weight of the rack rests on the leveling jacks.
  - Install stabilizing feet on the rack.
  - In multiple-rack installations, fasten racks together securely.
  - Extend only one rack component at a time. Racks can become unstable if more than one component is extended.
-





---

# 11 Regulatory compliance notices

This section contains regulatory notices for the HP StorageWorks D2600/2700 6Gb SAS disk enclosures.

## Regulatory compliance identification numbers

For the purpose of regulatory compliance certifications and identification, this product has been assigned a unique regulatory model number. The regulatory model number can be found on the product nameplate label, along with all required approval markings and information. When requesting compliance information for this product, always refer to this regulatory model number. The regulatory model number is not the marketing name or model number of the product.

## Federal Communications Commission notice

Part 15 of the Federal Communications Commission (FCC) Rules and Regulations has established Radio Frequency (RF) emission limits to provide an interference-free radio frequency spectrum. Many electronic devices, including computers, generate RF energy incidental to their intended function and are, therefore, covered by these rules. These rules place computers and related peripheral devices into two classes, A and B, depending upon their intended installation. Class A devices are those that might reasonably be expected to be installed in a business or commercial environment. Class B devices are those that might reasonably be expected to be installed in a residential environment (for example, personal computers). The FCC requires devices in both classes to bear a label indicating the interference potential of the device as well as additional operating instructions for the user.

This is a class A device.

## FCC rating label

The FCC rating label on the device shows the classification (A or B) of the equipment.

## Class A equipment

This equipment has been tested and found to comply with the limits for a Class A digital device, pursuant to Part 15 of the FCC rules. These limits are designed to provide reasonable protection against harmful interference when the equipment is operated in a commercial environment. This equipment generates, uses, and can radiate radio frequency energy and, if not installed and used in accordance with the instructions, might cause harmful interference to radio communications. Operation of this equipment in a residential area is likely to cause harmful interference, in which case the user will be required to correct the interference at personal expense.

## Modifications

The FCC requires the user to be notified that any changes or modifications made to this device that are not expressly approved by Hewlett-Packard Company might void the user's authority to operate the equipment.

## Cables

When provided, connections to this device must be made with shielded cables with metallic RFI/EMI connector hoods in order to maintain compliance with FCC Rules and Regulations.

## Canadian notice (Avis Canadien)

### Class A equipment

This class A digital apparatus meets all requirements of the Canadian Interference-Causing Equipment Regulations.

Cet appareil numérique de la class A respecte toutes les exigences du Règlement sur le matériel brouilleur du Canada.

## European Union notice

This product complies with the following EU directives:

- Low Voltage Directive 2006/95/EC
- EMC Directive 2004/108/EC

Compliance with these directives implies conformity to applicable harmonized European standards (European Norms) which are listed on the EU Declaration of Conformity issued by Hewlett-Packard for this product or product family. This compliance is indicated by the following conformity marking placed on the product:



Certificates can be obtained from <http://www.hp.com/go/certificates>.

Hewlett-Packard GmbH, HQ-TRE, Herrenberger Strasse 140, 71034 Boeblingen, German

## Japanese notices

### VCCI-A notice

この装置は、クラスA情報技術装置です。この装置を家庭環境で使用すると電波妨害を引き起こすことがあります。この場合には使用者は適切な対策を講ずるよう要求されることがあります。

VCCI-A

## Japanese power cord statement

製品には、同梱された電源コードをお使い下さい。  
同梱された電源コードは、他の製品では使用出来ません。

Please use the attached power cord.  
The attached power cord is not allowed to use with other product.

## Korean notices

### Class A equipment

A급 기기 (업무용 방송통신기기)	이 기기는 업무용(A급)으로 전자파적합등록을 한 기기이오니 판매자 또는 사용자는 이 점을 주의하시기 바라며, 가정 외의 지역에서 사용하는 것을 목적으로 합니다.
-----------------------	---

## Taiwanese notices

### BSMI Class A notice

警告使用者:

這是甲類的資訊產品，在居住的環境中使用時，可能會造成射頻干擾，在這種情況下，使用者會被要求採取某些適當的對策。

## Chinese notice

声明

此为 A 级产品，在生活环境中，该产品可能会造成无线电干扰。在这种情况下，可能需要用户对其干扰采取可行的措施。

## Recycling notices

### English notice



#### **Disposal of Waste Equipment by Users in Private Households in the European Union**

This symbol means do not dispose of your product with your other household waste. Instead, you should protect human health and the environment by handing over your waste equipment to a designated collection point for the recycling of waste electrical and electronic equipment. For more information, please contact your household waste disposal service

## Bulgarian notice



### Изхвърляне на отпадъчно оборудване от потребители в частни домакинства в Европейския съюз

Този символ върху продукта или опаковката му показва, че продуктът не трябва да се изхвърля заедно с другите битови отпадъци. Вместо това, трябва да предпазите човешкото здраве и околната среда, като предадете отпадъчното оборудване в предназначен за събирането му пункт за рециклиране на неизползваемо електрическо и електронно борудване. За допълнителна информация се свържете с фирмата по чистота, чиито услуги използвате.

## Czech notice



### Likvidace zařízení v domácnostech v Evropské unii

Tento symbol znamená, že nesmíte tento produkt likvidovat spolu s jiným domovním odpadem. Místo toho byste měli chránit lidské zdraví a životní prostředí tím, že jej předáte na k tomu určené sběrné pracoviště, kde se zabývají recyklací elektrického a elektronického vybavení. Pro více informací kontaktujte společnost zabývající se sběrem a svozem domovního odpadu.

## Danish notice



### Bortskaffelse af brugt udstyr hos brugere i private hjem i EU

Dette symbol betyder, at produktet ikke må bortskaffes sammen med andet husholdningsaffald. Du skal i stedet den menneskelige sundhed og miljøet ved at afl evere dit brugte udstyr på et dertil beregnet indsamlingssted for af brugt, elektrisk og elektronisk udstyr. Kontakt nærmeste renovationsafdeling for yderligere oplysninger.

## Dutch notice



### Inzameling van afgedankte apparatuur van particuliere huishoudens in de Europese Unie

Dit symbool betekent dat het product niet mag worden gedeponeerd bij het overige huishoudelijke afval. Bescherm de gezondheid en het milieu door afgedankte apparatuur in te leveren bij een hiervoor bestemd inzamelpunt voor recycling van afgedankte elektrische en elektronische apparatuur. Neem voor meer informatie contact op met uw gemeentereinigingsdienst.

## Estonian notice



### Äravisatavate seadmete likvideerimine Euroopa Liidu eramajapidamistes

See märk näitab, et seadet ei tohi visata olmeprügi hulka. Inimeste tervise ja keskkonna säästmise nimel tuleb äravisatav toode tuua elektriliste ja elektrooniliste seadmete käitlemisega egelevasse kogumispunkti. Küsimuste korral pöörduge kohaliku prügikäitlusettevõtte poole.

## Finnish notice



### Kotitalousjätteiden hävittäminen Euroopan unionin alueella

Tämä symboli merkitsee, että laitetta ei saa hävittää muiden kotitalousjätteiden mukana. Sen sijaan sinun on suojattava ihmisten terveyttä ja ympäristöä toimittamalla käytöstä poistettu laite sähkö- tai elektroniikkajätteen kierrätyspisteeseen. Lisätietoja saat jätehuoltoyhtiöltä.

## French notice



### Mise au rebut d'équipement par les utilisateurs privés dans l'Union Européenne

Ce symbole indique que vous ne devez pas jeter votre produit avec les ordures ménagères. Il est de votre responsabilité de protéger la santé et l'environnement et de vous débarrasser de votre équipement en le remettant à une déchetterie effectuant le recyclage des équipements électriques et électroniques. Pour de plus amples informations, prenez contact avec votre service d'élimination des ordures ménagères.

## German notice



### Entsorgung von Altgeräten von Benutzern in privaten Haushalten in der EU

Dieses Symbol besagt, dass dieses Produkt nicht mit dem Haushaltsmüll entsorgt werden darf. Zum Schutze der Gesundheit und der Umwelt sollten Sie stattdessen Ihre Altgeräte zur Entsorgung einer dafür vorgesehenen Recyclingstelle für elektrische und elektronische Geräte übergeben. Weitere Informationen erhalten Sie von Ihrem Entsorgungsunternehmen für Hausmüll.

## Greek notice



### **Απόρριψη άχρηστου εξοπλισμού από ιδιώτες χρήστες στην Ευρωπαϊκή Ένωση**

Αυτό το σύμβολο σημαίνει ότι δεν πρέπει να απορρίψετε το προϊόν με τα λοιπά οικιακά απορρίμματα. Αντίθετα, πρέπει να προστατέψετε την ανθρώπινη υγεία και το περιβάλλον παραδίδοντας τον άχρηστο εξοπλισμό σας σε εξουσιοδοτημένο σημείο συλλογής για την ανακύκλωση άχρηστου ηλεκτρικού και ηλεκτρονικού εξοπλισμού. Για περισσότερες πληροφορίες, επικοινωνήστε με την υπηρεσία απόρριψης απορριμμάτων της περιοχής σας.

## Hungarian notice



### **A hulladék anyagok megsemmisítése az Európai Unió háztartásaiban**

Ez a szimbólum azt jelzi, hogy a készüléket nem szabad a háztartási hulladékkal együtt kidobni. Ehelyett a leselejtezett berendezéseknek az elektromos vagy elektronikus hulladék átvételére kijelölt helyen történő beszolgáltatásával megóvja az emberi egészséget és a környezetet. További információt a helyi köztisztasági vállalattól kaphat.

## Italian notice



### **Smaltimento di apparecchiature usate da parte di utenti privati nell'Unione Europea**

Questo simbolo avvisa di non smaltire il prodotto con i normali rifiuti uti domestici. Rispettare la salute umana e l'ambiente conferendo l'apparecchiatura dismessa a un centro di raccolta designato per il riciclo di apparecchiature elettroniche ed elettriche. Per ulteriori informazioni, rivolgersi al servizio per lo smaltimento dei rifiuti uti domestici.

## Latvian notice



### **Europos Sąjungos namų ūkio vartotojų įrangos atliekų šalinimas**

Šis simbolis nurodo, kad gaminio negalima išmesti kartu su kitomis buitinėmis atliekomis. Kad apsaugotumėte žmonių sveikatą ir aplinką, pasenusią nenaudojamą įrangą turite nuvežti į elektrinių ir elektroninių atliekų surinkimo punktą. Daugiau informacijos teiraukitės buitinių atliekų surinkimo tarnybos.

## Lithuanian notice



### **Nolietotu iekārtu iznīcināšanas noteikumi lietotājiem Eiropas Savienības privātajās mājāsaimniecībās**

Šis simbols norāda, ka ierīci nedrīkst utilizēt kopā ar citiem mājāsaimniecības atkritumiem. Jums jā rūpējas par cilvēku veselības un vides aizsardzību, nododot lietoto aprīkojumu otrreizējai pārstrādei īpašā lietotu elektrisko un elektronisko ierīču savākšanas punktā. Lai iegūtu plašāku informāciju, lūdzu, sazinieties ar savu mājāsaimniecības atkritumu likvidēšanas dienestu.

## Polish notice



### **Utylizacja zużytego sprzętu przez użytkowników w prywatnych gospodarstwach domowych w krajach Unii Europejskiej**

Ten symbol oznacza, że nie wolno wyrzucać produktu wraz z innymi domowymi odpadkami. Obowiązkiem użytkownika jest ochrona zdrowia ludzkiego i środowiska przez przekazanie zużytego sprzętu do wyznaczonego punktu zajmującego się recyklingiem odpadów powstałych ze sprzętu elektrycznego i elektronicznego. Więcej informacji można uzyskać od lokalnej firmy zajmującej wywozem nieczystości.

## Portuguese notice



### **Descarte de equipamentos usados por utilizadores domésticos na União Europeia**

Este símbolo indica que não deve descartar o seu produto juntamente com os outros lixos domiciliários. Ao invés disso, deve proteger a saúde humana e o meio ambiente levando o seu equipamento para descarte em um ponto de recolha destinado à reciclagem de resíduos de equipamentos eléctricos e electrónicos. Para obter mais informações, contacte o seu serviço de tratamento de resíduos domésticos.

## Romanian notice



### **Casarea echipamentului uzat de către utilizatorii casnici din Uniunea Europeană**

Acest simbol înseamnă să nu se arunce produsul cu alte deșeuri menajere. În schimb, trebuie să protejați sănătatea umană și mediul predând echipamentul uzat la un punct de colectare desemnat pentru reciclarea echipamentelor electrice și electronice uzate. Pentru informații suplimentare, vă rugăm să contactați serviciul de eliminare a deșeurilor menajere local.

## Slovak notice



### Likvidácia vyradených zariadení používateľmi v domácnostiach v Európskej únii

Tento symbol znamená, že tento produkt sa nemá likvidovať s ostatným domovým odpadom. Namiesto toho by ste mali chrániť ľudské zdravie a životné prostredie odovzdaním odpadového zariadenia na zbernom mieste, ktoré je určené na recykláciu odpadových elektrických a elektronických zariadení. Ďalšie informácie získate od spoločnosti zaoberajúcej sa likvidáciou domového odpadu.

## Spanish notice



### Eliminación de los equipos que ya no se utilizan en entornos domésticos de la Unión Europea

Este símbolo indica que este producto no debe eliminarse con los residuos domésticos. En lugar de ello, debe evitar causar daños a la salud de las personas y al medio ambiente llevando los equipos que no utilice a un punto de recogida designado para el reciclaje de equipos eléctricos y electrónicos que ya no se utilizan. Para obtener más información, póngase en contacto con el servicio de recogida de residuos domésticos.

## Swedish notice



### Hantering av elektroniskt avfall för hemanvändare inom EU

Den här symbolen innebär att du inte ska kasta din produkt i hushållsavfallet. Värna i stället om natur och miljö genom att lämna in uttjänt utrustning på anvisad samlingsplats. Allt elektriskt och elektroniskt avfall går sedan vidare till återvinning. Kontakta ditt återvinningsföretag för mer information.

## Turkish notice



Türkiye Cumhuriyeti: EEE Yönetmeliğine Uygundur



# Index

## B

- best practices
  - cabling, 35
  - power sources, 38
  - powering on, 39
  - racking, 30

## C

- cables
  - best practices, 35
  - cable management considerations, 35
  - connecting cascaded enclosures, 37
  - connecting power cords, 38
  - connecting to the controller, 36
  - SAS, 17, 35
- cabling example
  - dual-domain, 48, 49, 50
  - single-domain, 46, 47
- cabling guidelines, 37
- Canadian notice, 66
- cascaded disk enclosures, 37
- Chinese notices, 67
- clearance space, 29
- components, 7
  - disk drive blanks, 10
  - disk drives, 10
  - fan, 13
  - front status and UID, 11
  - I/O module, 14
  - power supply, 12
  - rear power and UID, 16
  - SAS cables, 17
  - supported disk drives, 32
- configuration
  - initial tasks, 41
  - supported software tools, 41
- connecting cables to cascaded enclosures, 37
- connecting cables to the controller, 36
- connecting power cords, 38
- controller
  - preparing for use with disk enclosure, 34
- conventions
  - documentation, 62
  - text symbols, 62

- converting rack rails for round-hole racks, 31
- Customer Self Repair (CSR)
  - defined, 57, 63
  - parts list, 58
  - website, 63

## D

- diagnostic steps, 51
  - if the enclosure does not initialize, 51
  - if the enclosure front fault LED is amber, 51
  - if the enclosure rear fault LED is amber, 52
  - if the fan LED is amber, 53
  - if the I/O module fault LED is amber, 53
  - if the power on/standby LED is amber, 52
  - if the power supply LED is amber, 52
  - recognizing disk drive failure, 54
- diagnostic tools, 41
- disk drives
  - approved models, 33
  - caution, 30
  - defined, 10
  - installing, 33
  - LEDs, 10
  - recognizing disk drive failure, 54
  - supported, 32
- disk enclosure
  - at startup, 40
  - available models, 7
  - example cabling
    - dual-domain, 48, 49, 50
    - single-domain, 46, 47
  - exploded view, 59
  - illustrated, 7
  - LFF
    - component callout, 9
    - drive bay numbering, 9
    - front view, 9
    - rear view, 9
  - SFF
    - component callout, 8
    - drive bay numbering, 8
    - front view, 8
    - rear view, 8
    - verifying the status of, 40

document  
  revision history, 2  
documentation  
  conventions, 62  
  providing feedback, 62  
dual domain  
  example cabling, 48, 49, 50

## E

environmental requirements, 29  
European Union notice, 66

## F

fan module  
  defined, 13  
  LEDs, 13  
Federal Communications Commission notice, 65  
front status and UID module  
  defined, 11  
  LEDs, 11

## G

guidelines  
  cabling, 37

## H

hard drive  
  installing, 32  
  options, 32  
help  
  obtaining, 24, 61  
HP  
  Subscriber's Choice for Business, 25  
  technical support, 61

## I

I/O module  
  defined, 14  
  LEDs, 14  
installation  
  assistance, HP, 24  
  in the rack, 31  
  of disk drives, 33  
installing  
  hard drives, 32

## J

Japanese notices, 66

## K

Korean notices, 67

## L

LEDs  
  disk drives, 10  
  fan module, 13  
  front status and UID module, 11  
  I/O module, 14  
  of enclosure at startup, 40  
  power supply module, 12  
  rear power and UID module, 16

## M

models, compared, 7

## P

parts  
  replaceable, 58  
physical requirements, 29  
planning  
  confirming support for components, 24  
  confirming warranty support, 25  
  identifying system components, 25  
  installation, 24  
  preparing the site, 29  
  recording information, 25  
  signing up for email alerts, 25  
  the storage configuration, 26  
  using the overview poster, 25  
power  
  applying to the disk enclosure, 39, 43  
  connecting power cords, 38  
  protection against failure, table, 38  
  providing redundant sources, 29  
  removing from the disk enclosure, 44  
  shutdown sequence, 44  
  startup sequence, 39, 43  
power cord  
  AC, 38  
power on/standby button  
  defined, 17  
  location, 16  
  operation, 17  
power requirements, 29  
power supply module  
  defined, 12  
  LEDs, 12  
powering off, 44  
powering on, 43  
  best practices, 39  
  troubleshooting, 51

- preparing the controller
  - for disk enclosure, [34](#)
- preparing the server
  - for disk enclosure, [34](#)

## R

- Rack Builder
  - website, [29](#)
- rack rails
  - converting for round-hole racks, [31](#)
- rack stability
  - warning, [63](#)
- racking
  - best practices, [30](#)
  - procedures, [31](#)
- rear power and UID module
  - defined, [16](#)
  - LEDs, [16](#)
- redundant
  - power cables, [38](#)
- regulatory compliance
  - Canadian notice, [66](#)
  - Chinese notices, [67](#)
  - European Union notice, [66](#)
  - identification numbers, [65](#)
  - Japanese notices, [66](#)
  - Korean notices, [67](#)
  - Taiwanese notices, [67](#)
- revision table, [2](#)

## S

- SAS cables, connecting, [35](#)
- server
  - preparing for use with disk enclosure, [34](#)
- shutdown
  - sequence, [44](#)
- single domain
  - example cabling, [46](#), [47](#)
- software utilities, supported, [41](#)
- specifications
  - environmental, [19](#)
  - general, [19](#)
  - power, [19](#)
- startup
  - sequence, [39](#), [43](#)
- status
  - rear power and UID module,
    - disk drives, [10](#)
    - fan module, [13](#)
    - front status and UID module, [11](#)
    - I/O module, [14](#)
    - power supply module, [12](#)
- structural support, [29](#)

- Subscriber's Choice, HP, [61](#)
  - website, [25](#)
- symbols in text, [62](#)

## T

- Taiwanese notices, [67](#)
- technical support
  - HP, [61](#)
    - service locator website, [62](#)
- text symbols, [62](#)
- troubleshooting
  - powering on, [51](#)

## U

- UID button
  - front, [12](#)
  - rear, [17](#)
- utilities, supported, [41](#)

## V

- ventilation requirements, [29](#)
- verifying the status
  - of disk enclosure, [40](#)

## W

- warnings
  - personal injury, equipment damage, [30](#)
  - power related, [38](#)
  - rack stability, [63](#)
- websites
  - customer self repair, [63](#)
  - HP ,
    - HP Subscriber's Choice for Business, [61](#)
- weight considerations, [29](#)



## Free Manuals Download Website

<http://myh66.com>

<http://usermanuals.us>

<http://www.somanuals.com>

<http://www.4manuals.cc>

<http://www.manual-lib.com>

<http://www.404manual.com>

<http://www.luxmanual.com>

<http://aubethermostatmanual.com>

Golf course search by state

<http://golfingnear.com>

Email search by domain

<http://emailbydomain.com>

Auto manuals search

<http://auto.somanuals.com>

TV manuals search

<http://tv.somanuals.com>