



**HP E1433A**  
**8-Channel 196 kSa/sec Digitizer plus DSP**  
**User's Guide**



Part Number E1433-90008

Printed in U.S.A  
Print Date: April 1999, Sixth Edition

©Hewlett-Packard Company, 1996, 1997, 1998, 1999. All rights reserved.  
8600 Soper Hill Road Everett, Washington 98205-1298 U.S.A.



## NOTICE

The information contained in this document is subject to change without notice.

**HEWLETT-PACKARD MAKES NO WARRANTY OF ANY KIND WITH REGARD TO THIS MANUAL, INCLUDING, BUT NOT LIMITED TO, THE IMPLIED WARRANTIES OF MERCHANTABILITY AND FITNESS FOR A PARTICULAR PURPOSE. Hewlett-Packard shall not be liable for errors contained herein or direct, indirect, special, incidental or consequential damages in connection with the furnishing, performance, or use of this material.**

## WARRANTY

**A copy of the specific warranty terms applicable to your Hewlett-Packard product and replacement parts can be obtained from your local Sales and Service Office.**

**This document contains proprietary information which is protected by copyright. All rights are reserved. No part of this document may be photocopied, reproduced or translated to another language without the prior written consent of Hewlett-Packard Company. This information contained in this document is subject to change without notice.**

**Use of this manual and CD-ROM supplied for this pack is restricted to this product only. Additional copies of the programs can be made for security and back-up purposes only.**

© Copyright 1983, 1984, 1985, 1986, 1987, 1988 Hewlett-Packard Company.

© Copyright 1979 The Regents of the University of Colorado, a body corporate.

© Copyright 1979, 1980, 1983 The Regents of the University of California.

© Copyright 1980, 1984 AT&T Technologies. All Rights Reserved.

© Copyright 1986, 1987 Sun Microsystems, Inc.

© Copyright 1984, 1985 Productivity Products Intl.

## RESTRICTED RIGHTS LEGEND

**Use, duplication, or disclosure by the government is subject to restrictions as set forth in subdivision (c) (1) (ii) of the Rights in Technical Data and Computer Software clause at 52.227-7013.**

HEWLETT-PACKARD COMPANY  
3000 Hanover St.  
Palo Alto, CA 94303

**Rights for non-DOD U.S. Government Departments and Agencies are set forth in FAR 52.227-19 (c) (1,2)**

**Copyright (c) 1995, 1996, 1997, 1998, 1999 Hewlett-Packard Company. All rights Reserved.**

---

## In This Book

The HP E1433A 8-Channel 196 kSa/s Digitizer plus DSP is a C-size VXI module. “196 kSa/s” refers to the maximum sample rate of 196608 samples per second. The HP E1433A may contain either one or two 4-channel input assemblies so that the module may have a total of up to 8 inputs. The module plugs into a single C-size slot in a VXI mainframe.

This book documents the HP E1433A module, including information on how to use it. It provides:

- Installation information.
- Examples to help you get started, with information on how to use the VXIplug&play Host Interface Library functions. There is also a chapter about the C-Language version of the Host Interface Library. There are instructions for printing the Function Reference for the Host Interface Library if desired. The Function Reference can be accessed by way of online manual pages and online help.
- Information on how to use the HP E1433A.
- A descriptions of the module.
- Descriptions of the Arbitrary Source and Tachometer options.
- Descriptions of the Break Out Boxes which can be used with the module.
- Service information (troubleshooting and replacing assemblies).
- Details about the module's VXI registers (as an appendix for those who may want this additional information).



---

# TABLE OF CONTENTS

In This Book iii

## **1 Installing the HP E1433A**

- Installing the HP E1433A 1-2
- To inspect the HP E1433A 1-2
- To install the HP E1433A 1-3
- Install the host interface libraries 1-6
- To store the module 1-6
- To transport the module 1-7

## **2 Getting Started With the HP E1433A**

- Introduction 2-2
- To install the VXIplug&play libraries 2-3
  - System Requirements (Microsoft Windows95 and NT) 2-3
  - System Requirements (HP-UX 9.05) 2-3
  - System Requirements (HP-UX 10.2) 2-3
  - HP E1432A Software Distribution 2-3
  - Getting Updates Via FTP (HP-UX) 2-4
  - Getting Updates Via FTP (Windows) 2-4
  - To install the Windows VXIplug&play drivers for the HP E1432A (for Windows 95 and Windows NT). 2-4
  - To install the HP-UX VXIplug&play drivers for the HP E1433A (for HP-UX systems): 2-6
  - The Resource Manager 2-6
- The VXIplug&play Soft Front Panel (SFP) 2-7
  - Using the soft front panel. 2-7
- HP VEE example programs 2-10
  - scope.vee 2-10
  - minimum.vee 2-14
  - Other HP VEE example programs 2-16
- C-Language Host Interface Library example programs 2-17
  - Demo Programs 2-17
  - Running a demo program: semascope.c 2-18
- Visual Basic example programs 2-19

## 3 Using the HP E1433A

- Introduction 3-2
- What is VXIplug&play? 3-3
  - Overview 3-3
  - VXIplug&play drivers 3-3
  - Manufacturer and model codes 3-4
  - The Soft Front Panel (SFP) 3-5
- Header and Library Files 3-6
- Channels and groups 3-7
  - Channel Groups 3-7
  - Initialization 3-7
  - Creating a Channel Group 3-8
  - Input, Source, and Tach Channels 3-8
- Multiple-module/mainframe Measurements 3-9
  - Grouping of Channels/Modules 3-9
  - Multiple-module Measurements 3-9
  - Possible Trigger Line Conflict 3-10
  - Managing Multiple-mainframe Measurements 3-11
  - Synchronization in Multiple-mainframe Measurements 3-14
- Module Features 3-15
  - Data Flow Diagram and FIFO Architecture 3-15
  - Base Sample Rates 3-17
- Measurement Process 3-23
  - Measurement Setup and Control 3-23
  - Parameter Settings 3-24
  - Measurement Initialization 3-24
  - Measurement Loop 3-25
  - Register-based VXI Devices 3-26
  - Arm and Trigger 3-27
  - HP E1433A Triggering. 3-28
  - Trigger Level 3-29
  - Data Transfer Modes 3-30
- HP E1433A Interrupt Behavior 3-32
  - Data Gating 3-34
  - HP E1433A Parameters 3-34
- New features of the HP E1432A/HP E1433A software 3-36
  - Averaging 3-36
  - Continuous re-sampled data 3-36
  - Fast span or range change 3-36
  - Peak level detection (HP E1433A only) 3-36
  - RMS level computation (HP E1433A only) 3-36
  - Time arming 3-37
  - Weighting filters (HP E1433A only) 3-37
  - Zoom (HP E1432A only) 3-37
  - Zoom (for the Arbitrary Source, option 1D4) 3-37
  - Auto range 3-37

Where to get more information 3-38

The Function Reference for VXIplug&play 3-38

The Function Reference for the Host Interface Library (C-language version)  
3-38

## **4 The C-Language Host Interface Library**

Introduction 4-2

Header and Library Files 4-3

Parameter Information 4-4

Description of HP E1433A Parameters 4-4

Parameter Lists 4-5

Channel and Group IDs 4-10

Multiple-module/Mainframe Measurements 4-12

Grouping of Channels/Modules 4-12

Multiple-module Measurements 4-12

Possible Trigger Line Conflict 4-13

Managing Multiple-mainframe Measurements 4-14

Synchronization in Multiple-mainframe Measurements 4-17

Measurement Process 4-18

Measurement Setup and Control 4-18

Parameter Settings 4-19

Measurement initialization 4-19

Measurement Loop 4-20

Register-based VXI Devices 4-21

Arm and Trigger 4-22

HP E1433A Triggering. 4-23

Data Transfer Modes 4-24

HP E1433A Interrupt Behavior 4-26

Data Gating 4-28

HP E1433A Parameters 4-29

For More Information 4-29

## **5 Module Description**

- Module Features 5-2
  - General Features 5-2
  - Arbitrary Source Features (option 1D4) 5-2
  - Tachometer Features (option AYP) 5-2
  - Other Options 5-2
  - Block Diagram 5-3
- HP E1433A Front Panel Description 5-5
  - Front panels for four or eight channels 5-5
  - Standard Front Panel 5-6
- VXI Backplane Connections 5-8
  - Power Supplies and Ground 5-8
  - Data Transfer Bus 5-8
  - DTB Arbitration Bus 5-8
  - Priority Interrupt Bus 5-8
  - Utility Bus 5-8
  - The Local Bus (Option UGV) 5-9
- The HP E1433A VXI Device 5-10
  - Address Space 5-10
  - Shared Memory 5-10
  - Memory Map 5-10
  - List of A16 Registers 5-12
  - Trigger Lines (TTLTRG) 5-13
  - Providing an External Clock 5-14
- Calibration Description 5-15

## **6 The Arbitrary Source Option (1D4)**

- Arbitrary Source Description 6-2
  - Trigger 6-2
  - Arbitrary Output 6-2
  - Source Output Modes 6-2
  - COLA (and Summer) 6-2
  - External Shutdown 6-2
  - Block Diagram 6-3
- The Arbitrary Source Option Front Panel 6-4
  - LED's and Connectors for the Arbitrary Source Option 6-5
  - Updating the arbitrary source firmware 6-5



## **7 The Tachometer Option (AYF)**

Tachometer Description 7-2

Tachometer Inputs 7-2

External Trigger Input 7-2

Trigger Level 7-2

Tachometer Monitoring 7-2

Exact RPM Triggering 7-2

Input Count Division 7-3

Holdoff Time 7-3

Block Diagram 7-3

The Tachometer Option Front Panel 7-4

LED's and Connectors for the Tachometer Option. 7-5

## **8 Break Out Boxes**

Introduction 8-2

Service 8-2

The HP E1432-61600 and HP E1432-61602 Break Out Boxes 8-3

HP E1432-61602 Voltage-type Break Out Box 8-4

HP E1432-61600 ICP-type Break Out Box 8-4

Break Out Box Grounding 8-4

Break Out Box Cables 8-5

Making a Custom Break Out Box Cable 8-5

Recommendations on wiring for the E1432/3A 4 Channel Input Connector  
8-7

## **9 Troubleshooting the HP E1433A**

Diagnostics 9-2

## **10 Replacing Assemblies**

- Replaceable Parts 10-2
  - Ordering Information 10-2
  - Direct Mail Order System 10-2
  - Code Numbers 10-3
  - Assemblies: without option AYF or 1D4 10-4
  - Assemblies: with option AYF 10-6
  - Assemblies: with option 1D4 10-8
  - Cables: without option AYF or 1D4 10-10
  - Cables: with option AYF 10-11
  - Cables: with option 1D4 10-12
  - Front Panel 10-13
- To remove the top cover 10-14
- To remove the front panel 10-15
- To remove the input assemblies 10-18
- To remove the option AYF assembly 10-20
- To remove the option 1D4 assembly 10-21
- To remove the A22/A24 assembly 10-22
- To remove the A10/A11 assembly 10-23

## **11 Backdating**

- Backdating 11-2

## **Appendix A Register Definitions**

- The HP E1433A VXI Registers A-2
  - The A16 Registers A-2
  - The A24 Registers A-4
  - 32-bit Registers A-10
  - Command/Response Protocol A-11
  - DSP Protocol A-13
  - DSP Bus Registers A-14

## **HP E1433A Technical Specifications**

### **Glossary**

### **Index**

### **Need Assistance?**

### **About this edition**

### **Sales and Service Offices**

---

1

---

# Installing the HP E1433A

## Installing the HP E1433A

This chapter contains instructions for installing the HP E1433A 8-Channel 196 kSa/sec Digitizer plus DSP Module and its drivers. This chapter also includes instructions for transporting and storing the module.

---

## To inspect the HP E1433A

The HP E1433A 8-Channel 196 kSa/sec Digitizer plus DSP Module was carefully inspected both mechanically and electrically before shipment. It should be free of marks or scratches, and it should meet its published specifications upon receipt.

If the module was damaged in transit, do the following:

- Save all packing materials.
- File a claim with the carrier.
- Call your Hewlett-Packard sales and service office.

---

## To install the HP E1433A

---

### Caution

To protect circuits from static discharge, observe anti-static techniques whenever handling the HP E1433A 8-Channel 196 kSa/s Digitizer plus DSP Module.

---

**1** Set up your VXI mainframe. See the installation guide for your mainframe.

**2** Select a slot in the VXI mainframe for the HP E1433A module.

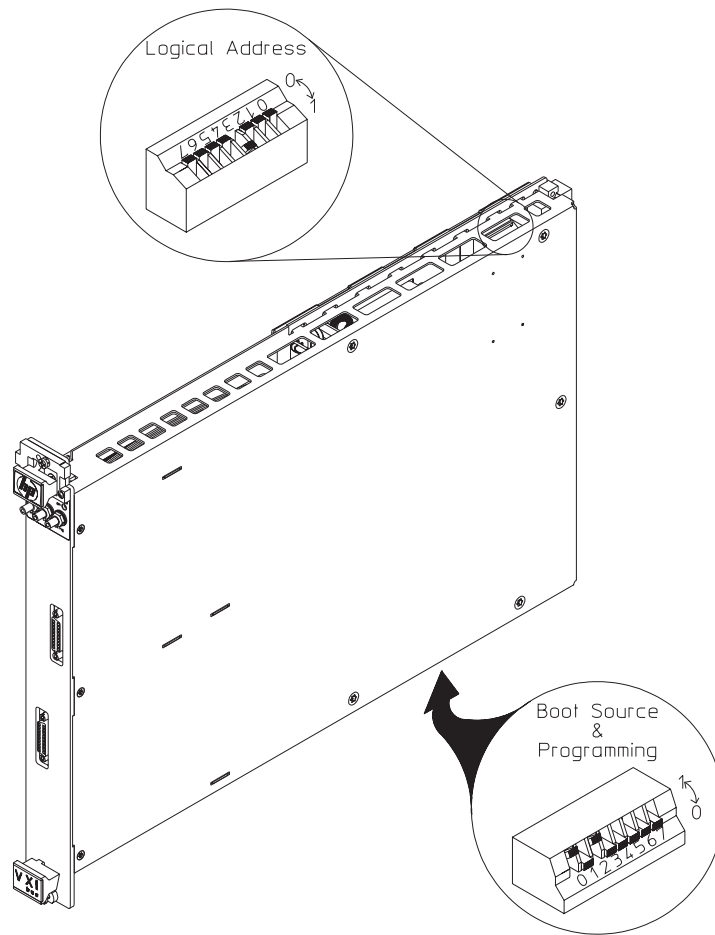
The HP E1433A module's local bus receives ECL-level data from the module immediately to its left and outputs ECL-level data to the module immediately to its right. Every module using the local bus is keyed to prevent two modules from fitting next to each other unless they are compatible. If you will be using the local bus, select adjacent slots immediately to the left of the data-receiving module. The local bus can support up to four HP E1433A modules at full span at real time data rates. If the VXI Bus is used, maximum data rates will be reduced but the module can be placed in any available slot.

**3** Using a small screwdriver or similar tool, set the logical address configuration switch on the HP E1433A.

(See the illustration on the next page.) Each module in the system must have a unique logical address. The factory default setting is 0000 1000 (8). If an HP-IB command module will be controlling the HP E1433A module, select an address that is a multiple of 8. If your VXI system dynamically configures logical addresses, set the switch to 255.

**4** Check the settings of the Boot Source and ROM Programming switches on the bottom of the module.

Set switches 1 and 3 (BS1 and BS3) up, and all the other switches down.



- 5 Set the mainframe's power switch to standby (  $\phi$  ).

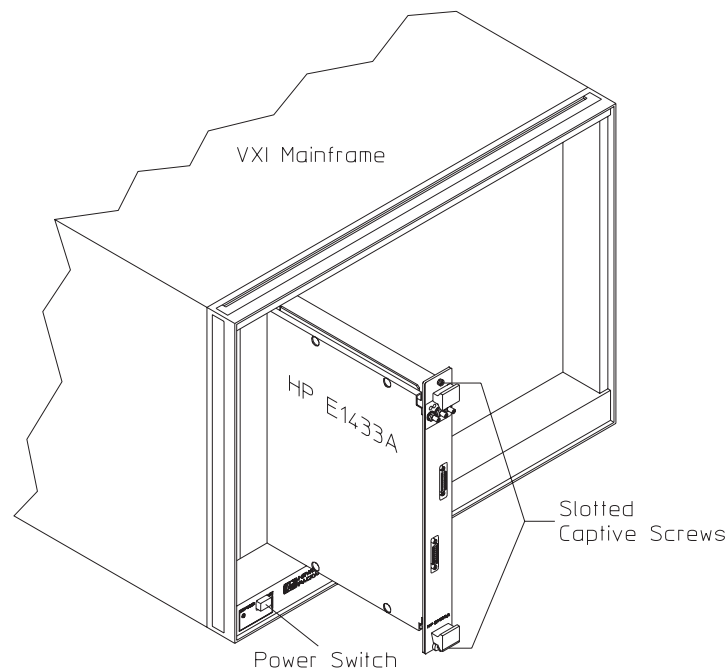
---

**Caution**

---

Installing or removing the module with power on may damage components in the module.

- 6 Place the module's card edges (top and bottom) into the module guides in the slot.
- 7 Slide the module into the mainframe until the module connects firmly with the backplane connectors. Make sure the module slides in straight.
- 8 Attach the module's front panel to the mainframe chassis using the module's captive mounting screws.



## **Install the host interface libraries**

After the hardware has been assembled, the next step in installing the HP E1433A is to install the host interface libraries. Refer to the chapter titled “Getting Started With the HP E1433A” to continue the installation process.

---

## **To store the module**

Store the module in a clean, dry, and static free environment.

For other requirements, see storage and transport restrictions in the chapter titled: “Specifications.”



---

## To transport the module

- **Package the module using the original factory packaging or packaging identical to the factory packaging.**  
Containers and materials identical to those used in factory packaging are available through Hewlett-Packard offices.
- **If returning the module to Hewlett-Packard for service, attach a tag describing the following:**
  - Type of service required
  - Return address
  - Model number
  - Full serial numberIn any correspondence, refer to the module by model number and full serial number.
- **Mark the container FRAGILE to ensure careful handling.**
- **If necessary to package the module in a container other than original packaging, observe the following (use of other packaging is not recommended):**
  - Wrap the module in heavy paper or anti-static plastic.
  - Protect the front panel with cardboard.
  - Use a double-wall carton made of at least 350-pound test material.
  - Cushion the module to prevent damage.

---

### Caution

Do not use styrene pellets in any shape as packing material for the module. The pellets do not adequately cushion the module and do not prevent the module from shifting in the carton. In addition, the pellets create static electricity which can damage electronic components.

---



---

2

---

## Getting Started With the HP E1433A

## Introduction

This chapter will help you to get your HP E1433A running and making simple measurements. It shows how to install the software libraries and how to run some of the example programs that are included.

For more information see the other chapters in this book and the on-line function reference. (See “Where to get more information” in the chapter titled “Using the HP E1433A”).

Two versions of the Host Interface Library are available. One is the HP-UX C-Language Host Interface Library which uses SICL (the Standard Instrument Interface Library) to communicate to the HP E1433A hardware. The other is the HP-UX, Windows 95 and Windows NT VXIplug&play Library which communicates with the hardware using VISA (Virtual Instrument Software Architecture). VISA is the input/output standard upon which all the VXIplug&play software components are based.

This chapter mainly covers the VXIplug&play version, and it also includes some examples using the C-Language version. If you are using the C-Language version, you should also refer to the chapter titled “The C-Language Host Interface Library.”

## To install the VXIplug&play libraries

### **System Requirements (Microsoft Windows95 and NT)**

- An IBM compatible personal computer with either Microsoft Windows 95 or Microsoft Windows NT. (With either Windows 95 or Windows NT, use the VXIplug&play library)
- Additional hardware and software to connect the IBM compatible computer to a VXI mainframe.
- Software is supplied on CD-ROM.

### **System Requirements (HP-UX 10.20)**

- One of the following workstations:
  - An HP V743 VXI-embedded workstation.
  - A stand-alone HP Series 700 workstation with an HP E1489I EISA-to-MXIbus card and an HP E1482B VXI-MXI Bus Extender.
- Software is supplied on CD-ROM, so a CD-ROM drive is needed
- HP-UX Version 10.20. This version of HP-UX can use either the C-language library or the VXIplug&play library.
- SICL/VISA (product number E2091E, version E.01.01 or later).

### **HP E1432A Software Distribution**

The HP E1432A distribution (software) is shipped on CD-ROM with the HP E1433A module. This software works with the E4132, E1433, and E1434 modules. This distribution includes the HP E1432A C-Language Host Interface library for HP-UX, the HP E1432A VXIplug&play Host Interface library for HP-UX, Windows 95, and Windows NT with associated examples, and manual pages.

### **Getting Updates Via FTP (HP-UX)**

You can get the latest version of the HP E1432A software via FTP. However, note that the latest version may be an interim version which has not yet been fully tested and released. Released versions for HP-UX have filenames beginning with E1432.A.xx.xx.depot.Z... Interim versions begin with E1432.X.xx.xx.depot.Z...

For HP-UX, the latest version of the HP E1432A distribution can be obtained via anonymous FTP at:

```
ftp://hpls01.lsid.hp.com/E1432/s700
```

Download file E1432.A.xx.xx.depot.Z for the latest update.

The A.xx.xx is the revision number, which will be something like A.00.00. The file obtained via FTP has been compressed; it can be uncompressed with the command:

```
uncompress E1432.A.xx.xx.depot.Z
```

The result will be a file E1432.A.xx.xx.depot This file is in swinstall format, which is the same format as the file on the CD-ROM.

### **Getting Updates Via FTP (Windows)**

You can get the latest version of the HP E1432A software via FTP. However, note that the latest version may be an interim version which has not yet been fully tested and released. Released versions for Windows have filenames beginning with hpe1432.EXE.A... Interim versions begin with hpe1432.EXE.X...

For Microsoft Windows the latest version of the HP E1432A distribution can be obtained via anonymous FTP at:

```
ftp://hpls01.lsid.hp.com/E1432/pc
```

The README file contains information about the files in the directory.

The files corresponding to the first floppy disk of the distribution have the form setup.EXE, click on "setup.EXE" to install.

Files of the form setup.w02 correspond to the second floppy disk of the distribution. Files of the form setup.w03 correspond to the third floppy disk (if any).

**To install the Windows VXIplug&play drivers for the HP E1432A (for Windows 95 and Windows NT).**

This procedure assumes that you have already installed a VISA (Virtual Instrument Software Architecture) library. If not, you can still install these drivers but you will receive an error message reminding you to install the VISA library.

- 1** Insert the HP E1432A CD-ROM into your CD-ROM drive.
  
- 2** Run the program: d:\setup  
(If your disk is in a drive other than "drive d," replace "d:" with the letter of the drive containing your VXIplug&play Drivers disk.)
  
- 3** The setup program asks you to confirm or change the directory path. The default directory path is recommended.
  
- 4** The setup program will ask you to confirm or change source code directory. The default directory is recommended.
  
- 5** Setup creates a program group called "Hpe1432." It includes:
  - An icon to run the Soft Front Panel
  - An icon for HELP text
  - An icon for UNINSTALLSetup can also place these icons in your "VXIplug&play" program group. A dialog box asks if you wish to skip this step.
  
- 6** Setup asks if you want to run the Soft Front Panel (SFP). See the next section in this chapter for more about the Soft Front Panel.

**To install the HP-UX VXIplug&play drivers for the HP E1433A  
(for HP-UX systems):**

- 1** Log in as root.
- 2** Insert the HP E1432A CD-ROM into the CD-ROM drive or obtain the latest HP E1432A distribution.
- 3** Type `swinstall`.

See the HP-UX Reference manual for information on the `swinstall` command.

The HP E1432A distribution is normally installed in the `/opt/vxipnp/hpe1432/` directory. The files have extensions such as `.h`, `.fp`, `.sl`, and `.hlp`.

**The Resource Manager**

The Resource Manager is a program from your hardware interface manufacturer. It looks at the VXI mainframe to determine what modules are installed. You need to run it every time you power up. If you get the message: "No HP E1433A can be found in this system," then run the Resource Manager.

Before running the HP E1432A /HP E1433A software make sure that your hardware is configured correctly and that the Resource Manager runs successfully. Before using your measurement system, you must set up all of its devices, including setting their addresses and local bus locations. No two devices can have the same address. Usually addresses 0 and 1 are taken by the Resource Manager and are not available.

For more information about the Resource Manager, see the documentation with your hardware interface.



---

## The VXIplug&play Soft Front Panel (SFP)

### Using the soft front panel.

If you are running the HP E1432A/HP E1433A software in Microsoft Windows 95 or Windows NT, you can use the Soft Front Panel (SFP) program to interface with the HP E1433A.

The Soft Front Panel can be useful for checking your system to make sure that it is installed correctly and that all of its parts are working. However, it is not very useful for making measurements. It cannot be controlled from a program and it does not access all of the HP E1433A's functionality.

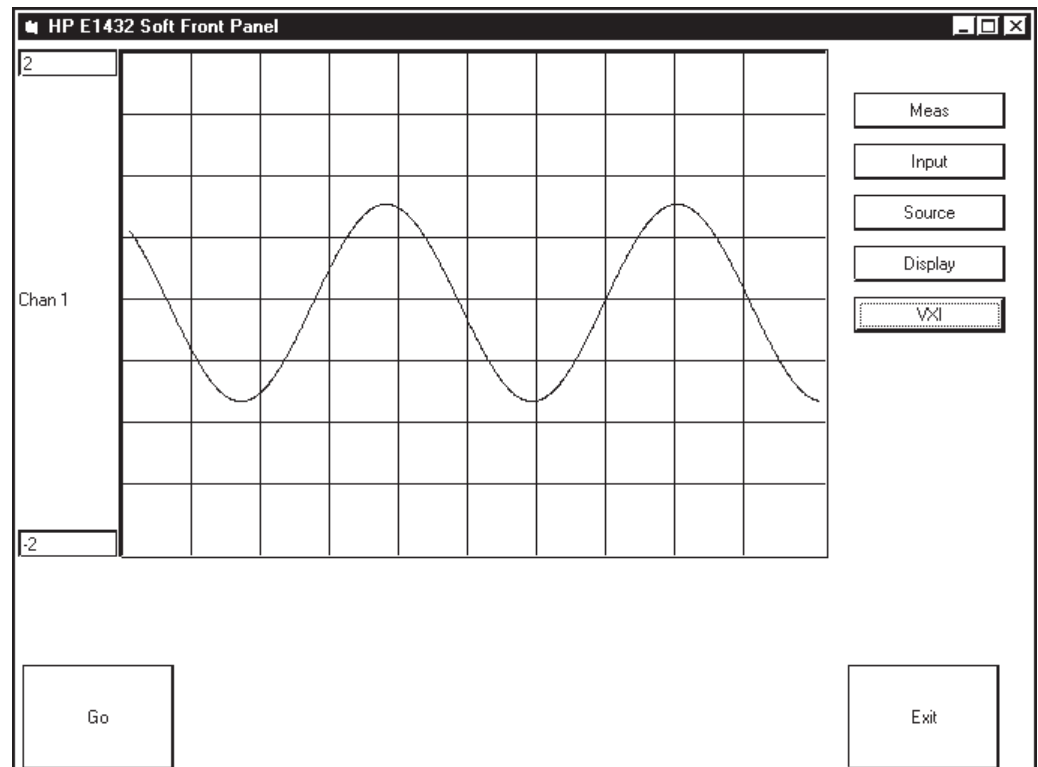


Figure 2-1: The Soft Front Panel interface

The buttons on the right side of the SFP display are defined as follows:

### **Meas**

This button opens the Measurement Control dialog box. You can set:

- Measurement single/repeat
- Mode block/continuous
- Trigger auto/manual/input/source
- Frequency span
- Blocksize

### **Input**

This button opens a dialog box in which you can set up the HP E1433A's inputs. You can set:

- Channel number
- Range
- AC or DC coupling
- Grounding method
- Digital anti-alias filter
- Analog anti-alias filter
- Trigger on/off
- Trigger mode level/bound
- Trigger level
- Hysteresis
- Trigger Slope

There is a checkbox to make all channels identical.

### **Source**

This opens a dialog box for controlling the source output of the HP E1433A's source. This is only available for HP E1433A's that have the Arbitrary Source Option 1D4. You can set:

- Channel number
- Active on/off
- Mode sine/burst sine/random/burst random
- Ramp rate
- Sine frequency
- Sine phase
- Output normal/grounded/open/cal/multi
- Trigger on/off
- Cola (Constant Output Level Amplifier) off/on
- Duty Cycle
- Sum off/on
- Seed
- Range

**Display**

This button opens a dialog box in which you can specify how the data is displayed. For each trace you can specify an input channel (or OFF) and an output file.

**VXI**

This button opens a dialog box showing the modules installed in your VXI mainframe, and indicating which are active and inactive. The “resource name” for each module is the interface card name that has been assigned to it.

**Go**

Use the Go button to start the measurement.

**Exit**

Use the Exit button to exit the Soft Front Panel.

---

## HP VEE example programs

### **scope.vee**

This program displays four channels with time record and FFT for each channel.

The scope.vee program is located at \Hpe1432\examples\hpvee\ on a Microsoft Windows system or at /usr/e1432/vee-examples on an HP-UX system.

To run scope.vee, first type:

```
veetest
```

To begin using HP VEE.

In HP VEE click on File, then Open. In the Open File dialog box select scope.vee from the list of files. Then click Ok.

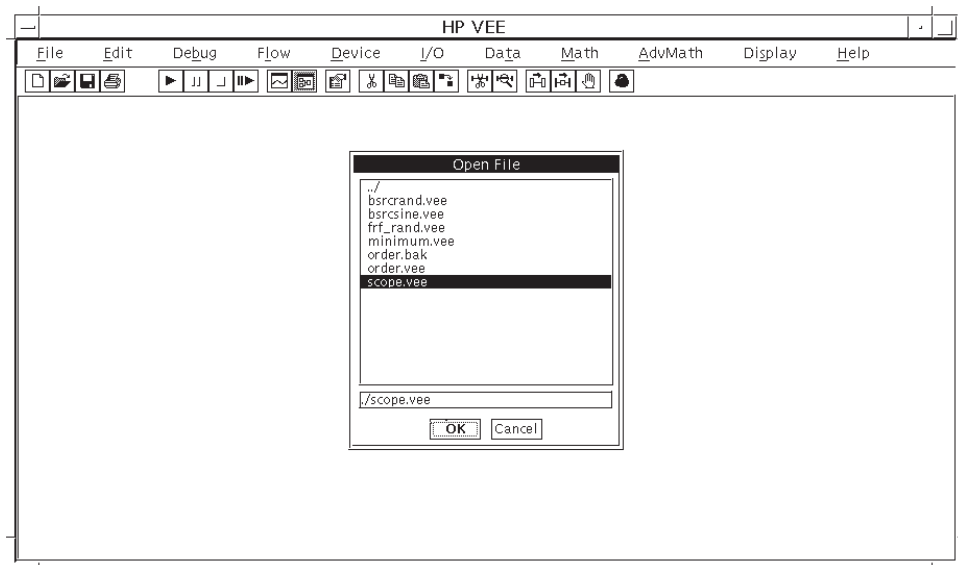


Figure 2-2: HP VEE - Open File dialog box

The program scope.vee starts, showing four channels, with time record and FFT for each channel.

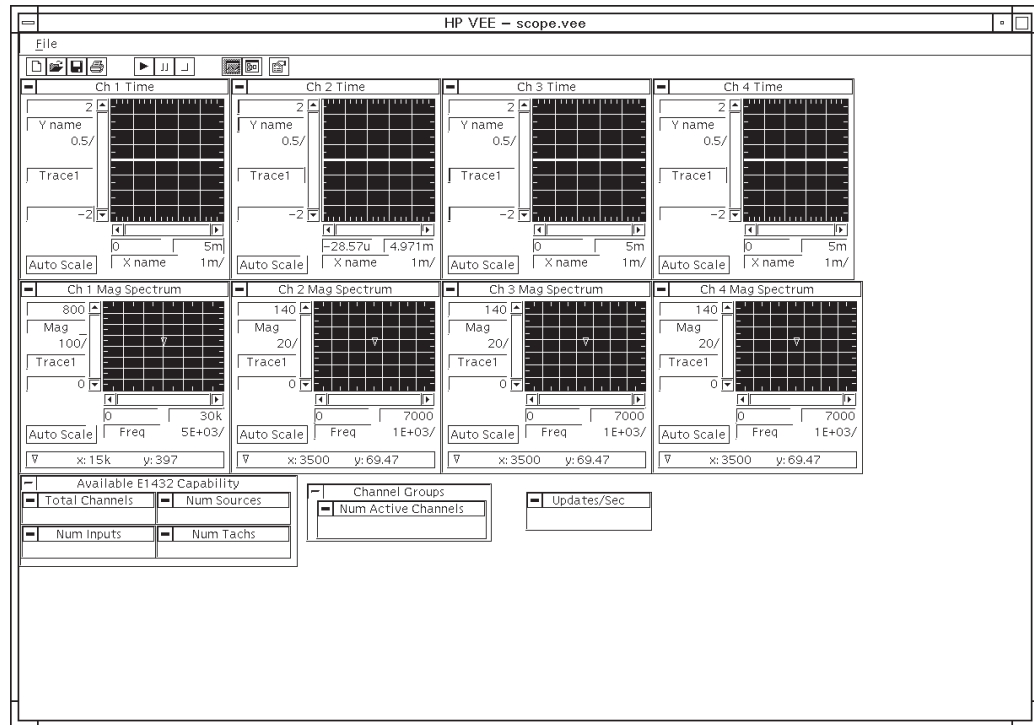


Figure 2-3: scope.vee - panel view

To start a measurement, click the Run button on the toolbar (triangle symbol). To pause, click on the Pause button (two vertical bars, next to the Run button). To stop the measurement, click the Stop button (square symbol).

This screen is VEE's panel view, where you can interact with the system much as you would with the front panel of a standalone instrument. You can also go to VEE's detail view screen where you can configure the system and the view panel to make your own measurements.

To look at the scope.vee program "behind the scenes," click on the View Detail button on the toolbar (chart symbol). To return to the original (panel) view, click on the View Panel button (sine wave symbol).

Click on the View Detail button again to look at the detail view screen.

HP E1433A User's Guide  
Getting Started With the HP E1433A

To use and modify scope.vee you need to be familiar with using the HP VEE program. Refer to HP VEE documentation if necessary. In View Detail mode you can click on Help on the menu bar to get help on using HP VEE.

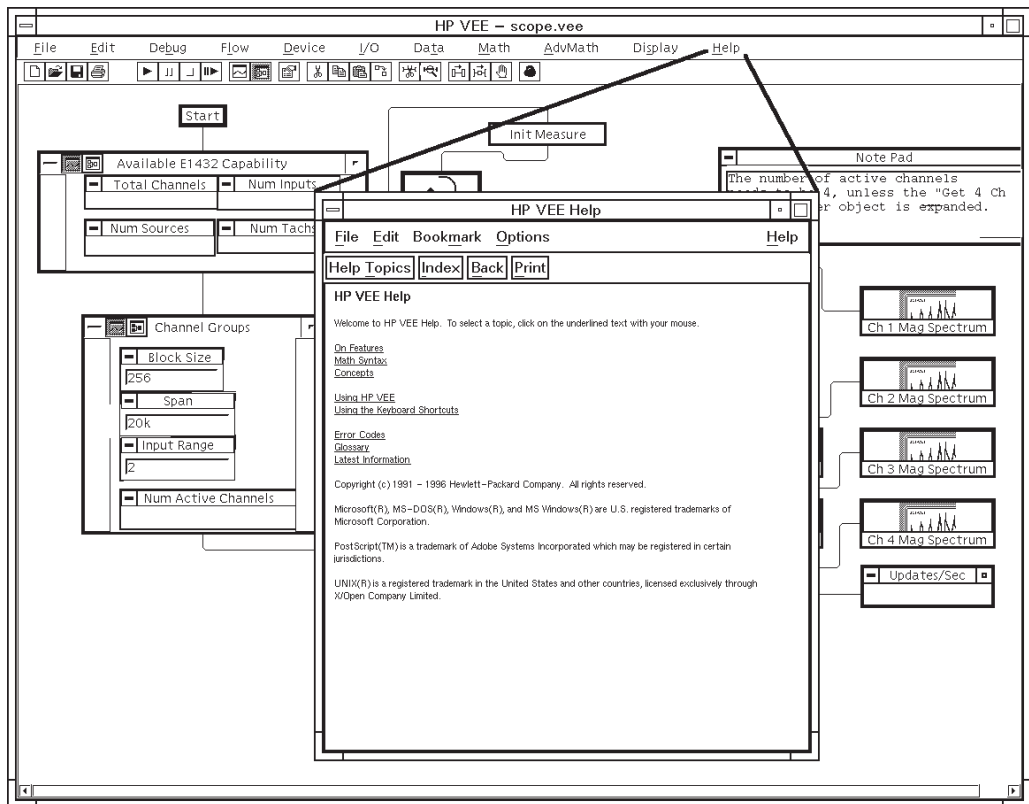


Figure 2-4: HP VEE help text

In detail view there are boxes representing parts of the scope.vee program. For programs that are too large to be viewed all at one time, use the scroll bars at the bottom and left side of the screen to scroll the display. You can double-click on a box to see more detail, or click on the View Detail (chart symbol) button on the top bar of the box. Some of the boxes contain a function. If you click on the function you can view the parameters associated with it.

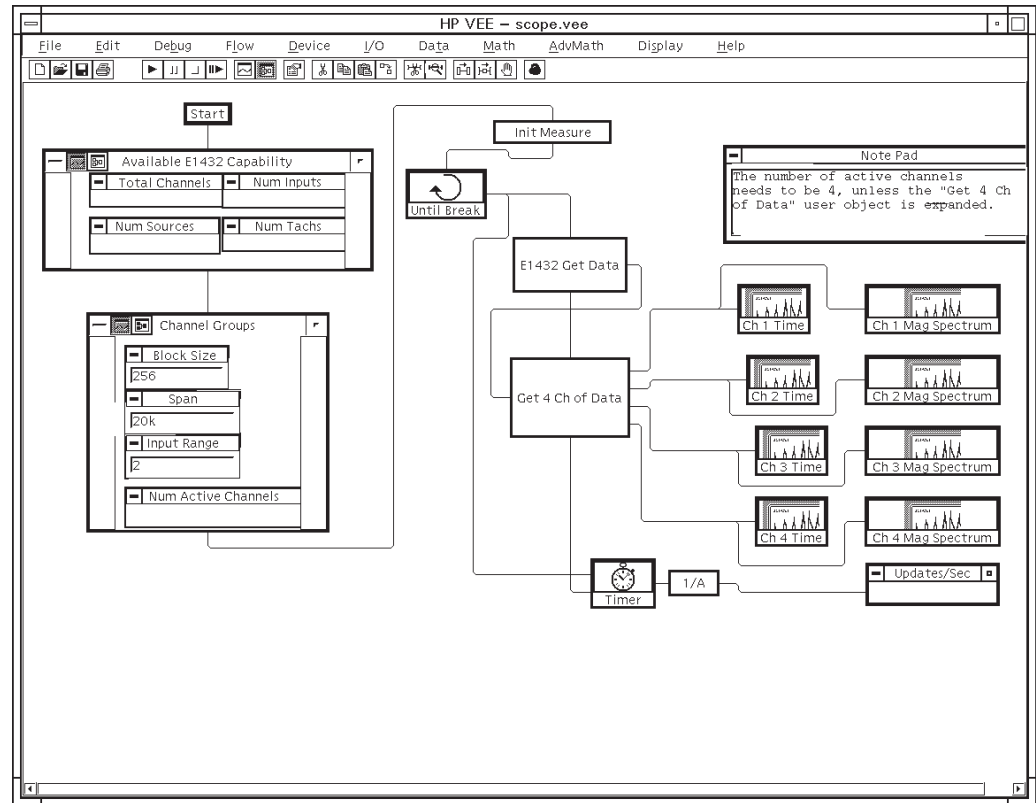


Figure 2-5: scope.vee - detail view

To specify a new function, click on the blank space in the box where the function is to be. A dialog box appears with a list of functions. After you select a function you can choose Panel to “hard code” constants that the function will use, or choose Parameters to allow a parameter to be input from elsewhere (from the user or another function). The input appears as a “pin” on the chart diagram. In the scope.vee program the user can select the blocksize, span, and range.

You can click Add To Panel in the Edit menu to make a box in the detail view visible on the panel view. This gives the user access to enter parameters or view results.

You can click on Alphanumeric in the Display menu to set up a box to specify how to display the output of a function.

Use HP VEE to look at the functions that make up the simple "scope.vee" program. This is an example of how the HP E1433A can be programmed using HP VEE.

Click on the Panel View button (sine wave symbol) to go to panel view. Set up your system to provide input signal to some of the input connectors of your HP E1433A. Then use the scope.vee interface to view the time records and FFTs of the input signals.

When you exit HP VEE, the program will ask if you want to save any changes you made to scope.vee. Click No, or if you wish click Cancel and then use File/Save As to save your changes with a different filename.

### **minimum.vee**

This program provides a simple example to help you begin learning to use the HP E1432A library, although it is not intended to be a finished "user-friendly" program. It contains the minimum number of functions needed (nine functions) to get data from the HP E1433A module. It does not even include a "panel" user interface, so the first screen you will see is the VEE View Detail screen. Use the scroll bar at the bottom of the screen to scroll the display and see all of the detail view.

The minimum.vee program simply takes data for one channel and then stops. You may find it useful to examine this program and use it as a starting point for learning to write your own VEE programs for the HP E1433A.



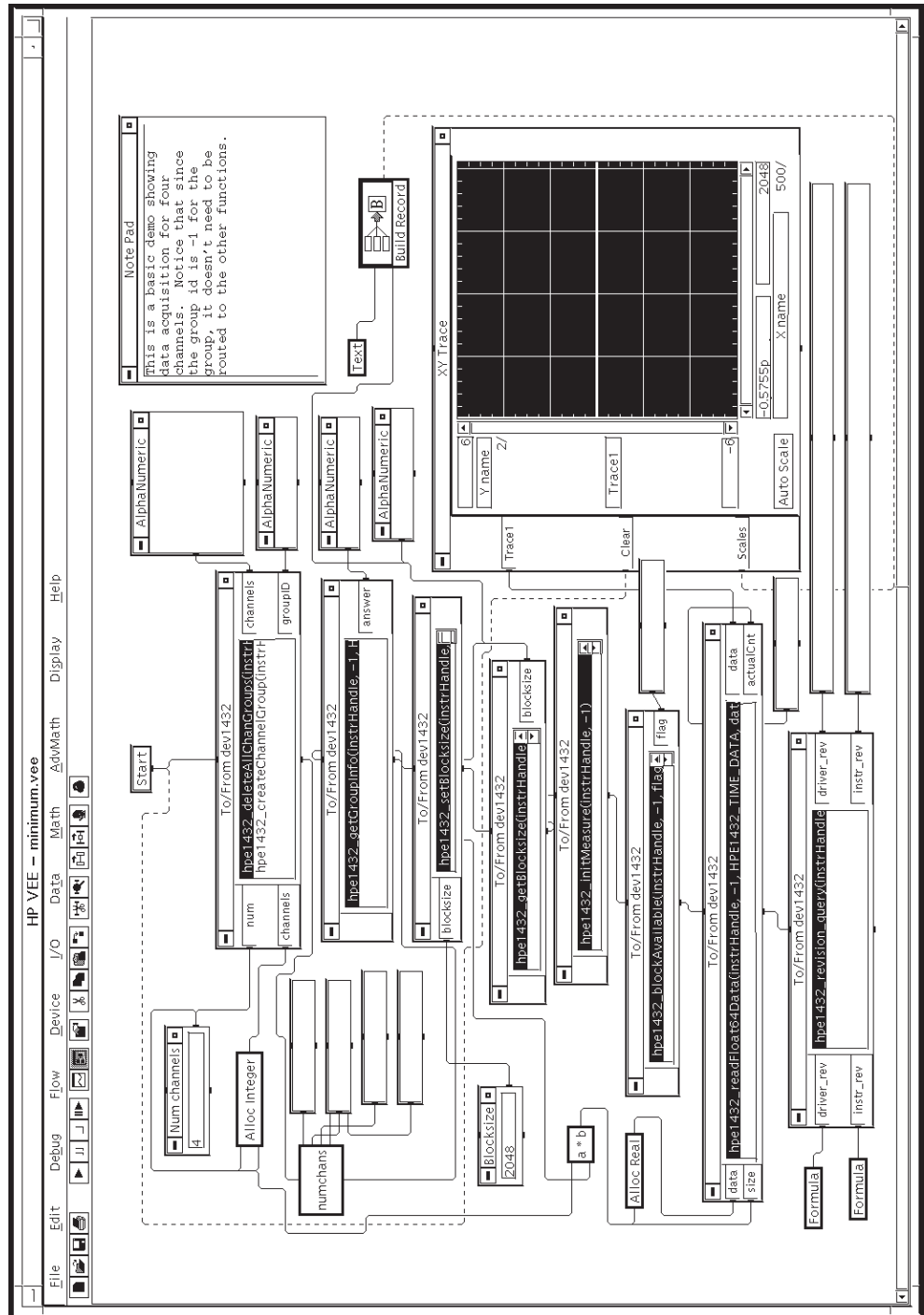


Figure 2-6: minimum.vee (scroll to see entire display)

### **Other HP VEE example programs**

There are several other example programs that you can examine in the same way that you looked at scope.vee. These programs are in the path \Hpe1432\examples\hpvee\ on a Microsoft Windows system or /usr/e1432/vee-examples on an HP-UX system.

#### **bsrcsine.vee (Burst SouRCe SINE)**

This program is similar to scope.vee. It displays eight (rather than four) channels, with time record and FFT for each channel. It also turns on the source in burst sine mode and ramps up the source output. The user can specify the duty cycle, ramp rate, level of the source, and frequency of the source. This program works with HP E1433A's which are equipped with the source option ID4.

#### **bsrcrand.vee (Burst SouRCe RANDOM)**

This program is like bsrcsine.vee except the source is turned on in burst random mode.

#### **frf\_rand.vee. (Frequency Response Function RANDOM)**

This program displays the frequency response of four channels. One way to set up this example is to connect a cable between the channel 1 and channel 2 inputs. Then connect channel 3 to channel 1 through a "black box" containing the circuit to be tested (using a "T" on channel 1). Channel 4 remains unconnected. On the display you will see a response for channel 2 over channel 1 (a flat response for the bare cable), and a response for channel 3 over channel 1 (representing the frequency response of the "unknown" circuit). Channel 4 will show a random signal since it has no input.

#### **order.vee**

This program can be used only with an HP1432A with the tachometer option. It takes four channels of data and displays two channels. It shows raw time domain data and resampled data for each rpm value. The raw data can then be processed with a program such as Matlab to make order ratio maps.

## C-Language Host Interface Library example programs

The HP E1432A C-Language Host Interface Library comes with several example programs, which help demonstrate how to use the library. These example programs are found in the “/opt/e1432/examples” directory or the \Hpel432\demo\ directory. The programs in this directory are all very small, so that they will be easily understood and easy to copy into a real application.

The files in the examples directory are:

<b>Makefile</b>	A unix Makefile which can be used to compile all of the programs in the examples directory.
<b>README</b>	A file containing the information given here.
<b>detect.c</b>	Shows how to use SICL calls to find the logical addresses of the HP E1433A modules in a system.
<b>example.c</b>	Shows the basics of setting up an E1433A, starting a measurement, and reading a block of data.
<b>intr.c</b>	Shows how to set up SICL and an HP E1433A to use interrupts for data collection.
<b>src_intr.c</b>	Shows how to set up SICL and an HP E1433A to use interrupts with a 1D4 Source board, for overload shutdown and overread.
<b>tachmon.c</b>	Shows how to monitor a tach channel signal using the other inputs in the HP E1433A module.
<b>throughput</b>	A directory containing example programs for throughput to and post-processing from an HP E1562A disk module.

### Demo Programs

In addition to example programs, the HP E1432A Host Interface library also comes with demo programs. These programs are found in the “/opt/e1432/demo” directory.

One of these demo programs, called “semascope”, demonstrates that the HP E1433A hardware and software are working properly. When run, it identifies the HP E1433A modules in the VXI system, runs a measurement using the HP E1433A modules that it finds, and plots the results in X11 windows. This program is not meant to be an example of how to use the HP E1432A library, although we do provide the source code.

Other demo programs include “rpmtrig” and “rpmtrig2” and “semascope3.”

### **Running a demo program: semascope.c**

To run this program, type:

```
/opt/e1432/demo/semascope
```

This program displays the time records for 32 channels (when hooked up to two HP E1433A modules with 16 channels each). The channel that is active for changing the display is highlighted. To exit, double-click the horizontal bar symbol in the upper left corner of the window.

To see a list of parameters for semascope, type:

```
semascope -u
```

To specify a parameter, type its letter code after “semascope” on the command line.

The source code for this program is at:

```
/opt/e1432/demo/semascope.c
```

Use a text viewer or editor (such as the “more” utility in unix) to list the source code for semaphore.c. You can examine the code to learn more about how this example program works.

## Visual Basic example programs

HP VEE and the C Host Interface Library can be used on both Unix and PC systems. In addition the PC can use Visual Basic. Visual Basic example programs are at \Hpe1432\examples\vb\ on a Microsoft Windows system.



---

# 3

---

## Using the HP E1433A

## Introduction

This chapter shows how to use the HP E1433A using the VXIplug&play Host Interface Library.

The HP E1433A uses the same software as the HP E1432A 16 Channel 51.2 kSa/sec Digitizer plus DSP.

The Host Interface Library for the HP E1433A is a set of functions that allow the user to program the register-based HP E1433A at a higher level than register reads and writes. The library allows groups of HP E1433As to be set up and programmed as if they were one entity

Two versions of the Host Interface Library are included. One is the HP-UX C-Language Host Interface Library which uses SICL (the Standard Instrument Interface Library) to communicate to the HP E1433A hardware. It works for HP-UX 10.20. The other is the VXIplug&play Library for Windows 95, Windows NT, and HP-UX 10.20 which communicates with the hardware using VISA (Virtual Instrument Software Architecture). VISA is the input/output standard upon which all the VXIplug&play software components are based.

This chapter covers the VXIplug&play version, but it will also be useful to users of the C-Language version. If you are using the C-Language version, you should also refer to the chapter titled "The C-Language Host Interface Library."

The library includes routines to set up and query parameters, start and stop measurements, read and write data, and control interrupts. Routines to aid debugging and perform low-level I/O are also included.

For information on diagnostics see the chapter titled "Troubleshooting the HP E1433A."



---

## What is VXIplug&play?

Hewlett-Packard uses VXIplug&play technology in the HP E1433A. This section outlines some of the details of VXIplug&play technology.

### Overview

The fundamental idea behind VXIplug&play is to provide VXI users with a level of standardization across different vendors well beyond what the VXI standard specifications spell out. The VXIplug&play Alliance specifies a set of core technologies centering on a standard instrument driver technology.

HP offers VXIplug&play drivers for VEE-Windows. The VXIplug&play instrument drivers exist relative to so-called “frameworks”. A framework defines the environment in which a VXIplug&play driver can operate. The HP E1433A has VXIplug&play drivers for the following frameworks: Windows 95, Windows NT, and HP-UX.

### VXIplug&play drivers

The HP E1433A uses the same drivers as the HP E1432A 16 Channel 51.2 kSa/sec Digitizer plus DSP.

The HP E1432A VXIplug&play driver is based on the following architecture:

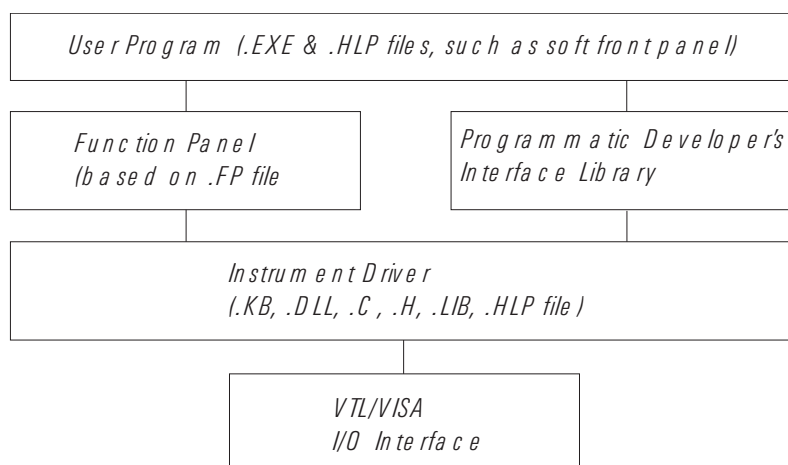


Figure 3-1: VXI Plug&Play driver architecture

It is most useful to discuss this architecture from the bottom up.

The VISA/VTL I/O interface allows interoperability of the VXIplug&play driver technology across interfaces.

The actual instrument driver itself is a DLL (Dynamic Linked Library) created from:

- ❑ A set of source (.C) files.
- ❑ A set of header (.H) files, used for compiling the file as well as to describe the driver's calls to any program using the driver.
- ❑ A standard driver library (.LIB) file, to provide the standard functionality all the drivers would require.

This DLL is a set of calls to perform instrument actions — at heart, that's all a VXIplug&play driver is — a library of instrument calls.

This driver is accessed by Windows applications programs written in languages such as Visual C++ or Visual BASIC, using programming environments such as VEE or NI LabView.

A Windows Help (.HLP) file is included which provides descriptive information and code samples for the functions in the VXIplug&play DLL. This help file can be viewed in the standard Windows Help viewer. A viewer for HP-UX is provided in /opt/hyperhelp - see the READ.ME file.

### **Manufacturer and model codes**

If desired, you can read the manufacturer code, model code and name of the VXI instruments from the file /opt/e1432/lib/vximodel.cf (on unix systems) or :hpel432\lib\vximodel.cf (on PC systems).

The following are the Hewlett-Packard VXI models in this file:

<b>Manufacturer Code</b>	<b>Model Code</b>	<b>Model Name</b>
0xfff	0x200	E143xA Non-booted Substrate Board
0xfff	0x201	E1432A 16 Channel 51.2 kSa/s Digitizer + DSP
0xfff	0x202	E1433A 8 Channel 196 kSa/s Digitizer + DSP
0xfff	0x203	E1434A 4 Channel 65 kSa/s Arbitrary Source
0xfff	0x210	E1562A/B/D/E Data Disk SCSI Interface

### The Soft Front Panel (SFP)

The Soft Front Panel is a stand-alone Windows application, built on top of the VXIplug&play driver DLL; it is used for instrument evaluation and debugging and as a demo. It is not a programmable interface to the instrument, nor can it be used to generate code.

The soft front panel also accesses the same Windows Help file as provided with the DLL.

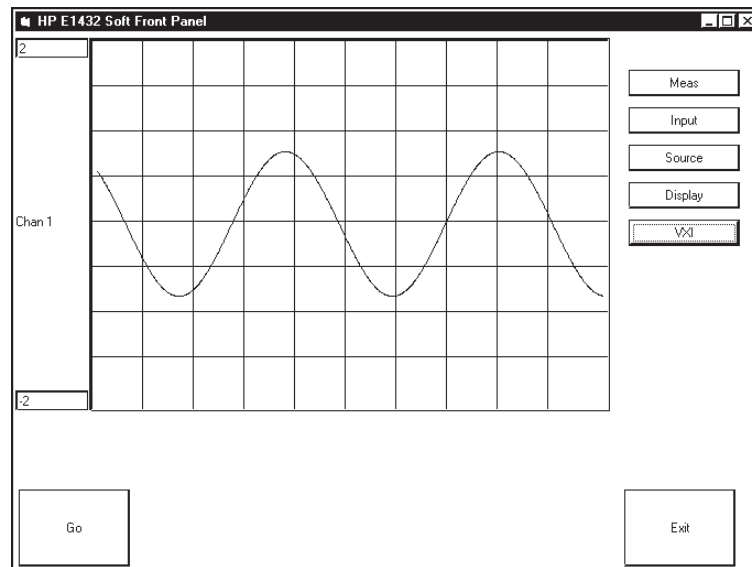


Figure 3-2: An example of a soft front panel (SFP)

## Header and Library Files

In the Windows environment, the following files are in the directory  
\Xipnp\WinXX\Hpe1432

<b>hpe1432.fp</b>	The "FP" file used by VEE and CVI
<b>hpe1432.hlp</b>	Windows help file
<b>hpe1432.kb</b>	Knowledge base file
<b>hpe1432.bas</b>	Header for Visual Basic
<b>hpe1432.exe</b>	Soft front panel program
<b>Bin\hpe1432_32.dll</b>	The VXIplug&play driver
<b>Include\hpe1432.h</b>	Header for linking to the VXIplug&play driver
<b>Lib\Msc\ hpe1432_32.lib</b>	Lib for linking C programs to VXIplug&play

The following files are in the directory \Hpe1432

<b>Read.me</b>	The latest information for the product
<b>lib\sema.bin</b>	Firmware program for the HP E1432A
<b>lib\sfp.ico</b>	Icon for help file
<b>lib\sinewave.ico</b>	Icon for Soft Front Panel
<b>source\*</b>	Source files for hpe1432_32.dll
<b>examples\vb\*</b>	Visual Basic example programs
<b>examples\c\*</b>	C example programs
<b>examples\hpvee\*</b>	HP VEE example programs

In the HP-UX environment, the following files are in the directory  
/opt/vxipnp/hpux/hpe1432:

<b>hpe1432.fp</b>	The "FP" file used by VEE
<b>.h</b>	Header file
<b>.hlp</b>	Hyperhelp file (see /opt/hyperhelp/README for information on how to view hpe1432.hpl in the HP-UX environment.)
<b>.sl (lower-case "SL")</b>	The VXIplug&play shared library

## Channels and groups

This section gives some information about using channels and groups. For more detailed information see the HP E1432A help text.

### Channel Groups

In the HP E1432A VXIplug&play driver, a channel group is the basic unit of hardware control. Any channel you want to control must first be assigned to a group with the `hpe1432_createChannelGroup` function. In addition to creating the group, this function returns a “handle” that uniquely identifies the group. You can then use this handle to direct functions to all channels in the group.

When you create a channel group, all input and tach channels in the group are automatically activated and all source channels are inactivated. But when you delete a channel group, input and tach channels are not automatically inactivated. Any input or tach channel that remains active after its group is deleted will continue to supply data to its module's FIFO buffer during a measurement—consuming module resources. For this reason, you should always explicitly inactivate the channels in group before deleting it. You can inactivate channels with `hpe1432_setActive`. You can delete channel groups with `hpe1432_deleteChannelGroup` and `hpe1432_deleteAllChanGroups`.

Also when you create a channel group, channels which are not mentioned in the new group are not turned off. You must explicitly inactivate any channels you do not wish to be active. (An exception is a power-up when only the channels in the initial channel group are active.)

### Initialization

The command used to initialize your system is `hpe1432_init`. This function initializes the VXIplug&play library and registers all HP E1433A modules. It also checks the existence of an HP E1432 module at each of the logical addresses given in the resource list and allocates logical channel identifiers for each channel in all of the HP E1432s. Input channels, source channels, and tach/trigger channels are kept logically separated.

Most other functions cannot be used until after `hpe1432_init`, but there are two functions which can be used before initialization to get information needed by `hpe1432_init`. These are `hpe1432_find` and `hpe1432_getHWConfig`. `hpe1432_find` searches the VXI mainframe and returns the VXI Logical Address for every HP E1433A found. `hpe1432_getHWConfig` returns additional information about the hardware.

After `hpe1432_init` has been run you can use `hpe1432_getNumChans` to get the total count of inputs, sources, and tachs for all HP E1433A modules named in the `hpe1432_init` call.

### **Creating a Channel Group**

The function `hpe1432_createChannelGroup` creates and initializes a channel group. A channel group allows you to issue commands to several HP E1433A channels at once, simplifying system setup. You can overlap channel groups. The state of an individual HP E1433A channel that is in more than one channel group is determined by the most recent operation performed on any group to which this channel belongs.

As a side effect, this function makes all input and tach channels in the channel group active and all source channels in the channel group inactive. This function does not inactivate other channels within the modules that the channels are in and does not preset the channels in the new group.

After a channel group has been created you can use `hpe1432_getGroupInfo` to get selected information about the group. `hpe1432_getGroupInfo` can be set up to return the number of modules, channels, inputs, sources, or tachs in the group. It can also return a list of the modules, channels, inputs, sources, or tachs.

### **Input, Source, and Tach Channels**

Channel numbers must fall in particular ranges for different types of channels. Input channel numbers range from 1 to 4095. Source channel numbers range from 4097 to 8191. Tach channel numbers range from 8193 to 12287.

You can have a mixture of input, source, and tach channels in one group. However it is also important for many functions to be sent only to the appropriate type of channel. For example, asking for a blocksize from a tach channel can cause an error. You might find it useful to set up several channel groups at the beginning of your program: one for input channels, one for source channels, one for tach channels, and one that combines all three channel types. You could then use the input handle for input-only functions, the source for source-only functions, and the tach handle for tach-only functions. You would use the "all-channels" handle for all other functions.

---

## Multiple-module/mainframe Measurements

### Grouping of Channels/Modules

The interface library for the HP E1433A is designed to allow programming of several channels from one or several distinct modules, as if they were one entity. Each HP E1433A module has up to 16 channels. The library may control up to a maximum of 255 HP E1433A modules (8160 channels).

The function `hpe1432_createChannelGroup` can be used to declare any number of groups of channels, possibly overlapping. Each group can be uniquely identified by a group ID.

The 'target' of a library function is either a channel, a group, or (rarely) a module, depending on the nature of the call. When the same library function may be called with either a channel or a group identifier, its 'target' is shown by @eter named ID.

### Multiple-module Measurements

A channel group that spans more than one module will need to be configured to use the TTL trigger lines on the VXI Bus for inter-module communications. This configuration is automatically performed in the `hpe1432_initMeasure` call unless defeated using `hpe1432_setAutoGroupMeas`.

The following discussion outlines what `hpe1432_initMeasure` does automatically. This must be done by the user if `hpe1432_setAutoGroupMeas` has been used to defeat auto configuration.

There are eight VXI TTL trigger lines that can be used for multi-module synchronization. Often, these lines are used in pairs, one for sample clock and one for Sync/Trigger. The `hpe1432_setTtltrgLines` function selects which TTL trigger lines to use; this function always uses the TTL trigger lines in pairs. Calling `hpe1432_setClockSource` with the group ID will set all modules to the same pair.

All modules need to be set to use the shared sync line rather than the default setting of internal sync. This can be done with the `hpe1432_setMultiSync` function, using the group ID.

One module of the set of modules needs to be set to output the sync pulse. The module with the lowest VXI logical address is called the "system module" and is assigned this duty. This can be set with the `hpe1432_setMultiSync` function call, using the lowest channel ID in the group (NOT the group ID).

All modules except the “system module” need to be set to use the VXI TTL trigger lines as the clock source. Use `hpe1432_setClockSource` for this.

Set the “system module” to output the clock. Use `hpe1432_setClockMaster` for this. After this is done, all system sync pulses come from the “system module” and drive the measurement state machines on all boards in the group.

### **Possible Trigger Line Conflict**

The following describes a scenario where HP E1433A modules might conflict and prevent a proper measurement. The conditions allowing the conflict are complex but must be understood by the user.

After a measurement has completed, the modules are left set up. If a module (call it module ‘A’) is driving the TTL trigger lines and a different group is started which also drives the TTL trigger lines (and that different group does not include module ‘A’), then module ‘A’ will conflict and prevent the other group from functioning. In this case make a call to `hpe1432_finishMeasure` (using the old group ID which includes ‘A’) to turn off module ‘A’ and allow the new group to function.

Note that if the new group includes all modules of the old group, the conflict will not occur since `hpe1432_initMeasure` will reset all modules as needed. Also note that single-module groups do not drive the TTL trigger lines, so single-module groups are immune from causing or receiving this conflict.



### Managing Multiple-mainframe Measurements

In a single-mainframe measurement, the HP E1433A communicates with other HP E1433As through the TTLTRG lines. However, when using the VXI-MXI bus extender modules, the TTLTRG lines, which carry the group synchronization pulse and sample clock, are extended only in one direction. This unidirectional signal connection restricts the types of measurements you can make in a multiple mainframe environment.

You cannot perform the following types of multiple mainframe measurements:

- Unequal pre-trigger delay settings between mainframes
- Channel triggering by channels in Mainframe B
- Lower spans or longer blocksizes in Mainframe B
- Different digital filter settling times between HP E1433A modules

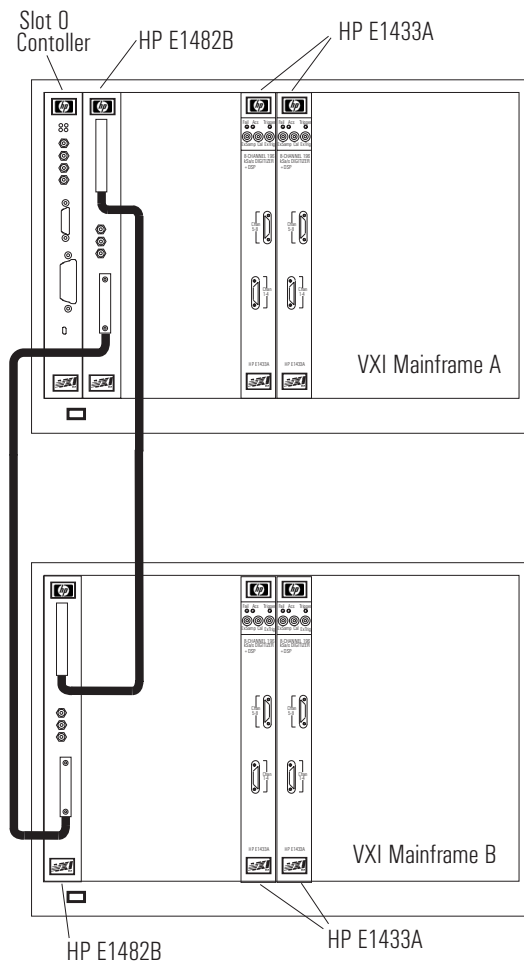


Figure 3-3: Multiple mainframes - two mainframes

In the example above, Mainframe A contains the Slot 0 Controller for a multiple mainframe system. Mainframe A is connected to Mainframe B with a VXI-MXI interface, HP E1482B. To successfully manage this multiple mainframe environment, use the following guidelines.

- Locate modules with logical addresses less than 128 in Mainframe A.
- Locate modules with logical addresses greater than 127 in Mainframe B.
- Locate the highest-numbered channels in Mainframe A.
- Locate the last module in the module list specified in the call to `hpe1432_init` in Mainframe A.
- Locate the module that generates the group synchronization pulse in Mainframe A.
- Locate the channels performing channel triggering in Mainframe A.
- Locate the module with the shared sample clock in Mainframe A.
- If you do not use a `groupID` with the call `hpe1432_readRawData` or `hpe1432_readFloat64Data`, empty the HP E1433As' FIFOs in Mainframe B before Mainframe A. In other words, do not empty the FIFOs in Mainframe A unless you have emptied the FIFOs in Mainframe B. For more information about `groupID` see "Grouping of Channels/Modules" in this chapter.
- If more than two mainframes are needed, daisy-chain them together. Treat each mainframe after the first as a Mainframe B. See the example on the next page.

#### **Phase Performance in Multiple Mainframe Measurements**

Phase specifications are degraded by the delay that the inter-mainframe interface gives the sample clock. This delay is insignificant for many low-frequency applications because the phase error is proportional to frequency. A system with two VXI-MXI modules and a one-meter cable, typically has a 76 nanosecond (ns) sample clock delay in Mainframe B. This corresponds to an additional 0.007 degree phase error at 256 Hz and an additional 0.55 degree phase error at 20 kHz.

Using a four-meter cable (which adds approximately 18 ns of delay) causes a total of 94 ns clock delay in Mainframe B. This corresponds to an additional 0.0087 degree phase error at 256 Hz and an additional 0.68 degree phase error at 20 kHz.

The cable adds approximately 6 ns per meter of cable.

Each daisy-chained mainframe adds another increment of delay, but only for the additional cabling length.

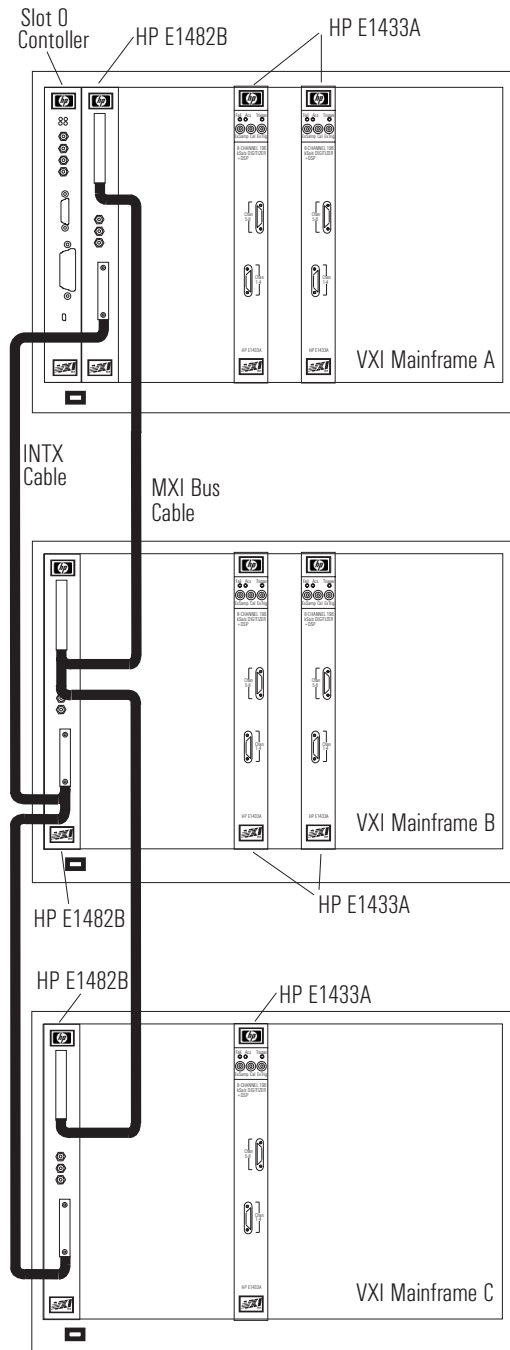


Figure 4: Multiple mainframes - three mainframes

### **Synchronization in Multiple-mainframe Measurements**

A TTL Trigger line between HP E1433As making group measurements keeps all modules synchronized. This is an open-collector line where each module holds the one designated as the SYNC line low until the module is ready to advance to the next measurement state. Another TTL Trigger line is designated to carry the sample clock to all modules. This shared sample clock may come from any HP E1433A module in Mainframe A or from an external signal routed through the Slot 0 Commander in Mainframe A.

One module is responsible for pulling the SYNC line low to start each group's state transition. Then, each module holds the line low until it is ready. When all modules are ready, the SYNC line drifts high. The unidirectional line prevents modules in Mainframe B from holding-off modules in Mainframe A.

The lowest logical address must be in Mainframe A because of VXI-MXI and Resource Manager (RM) constraints. Group constraints with the C-Library force modules in Mainframe A to have their FIFOs emptied last. The C-Library reads data in channel order, so the highest channel is read last. To get this to work automatically, the call to `hpe1432_init` must list the logical addresses in descending order.

Channel triggering must be done only by modules in Mainframe A. A trigger in any other mainframe would not be communicated back on the SYNC line to Mainframe A. The C-Library itself selects the HP E1433A with the highest channel number for synchronization.

### **VXI-MXI Module Setup and System Configuration**

To set up your multiple mainframe system, follow the "Hardware Installation Rules" which appear in Chapter 2 of the HP E1482B VXI-MXI Bus Extender User's Manual. This allows the Resource Manager to configure your system.

The VXI-MXI Module setup in Mainframe A needs to be changed from those set by the factory. The VXI-MXI module is not the Slot 0 Controller for Mainframe A. See Table 2-1: Configuration Settings in the HP E1482B VXI-MXI Bus Extender User's Manual. This requires changing several switch settings.

- Set the module as not being the Slot 0 Controller.
- Set the VME timeout to 200  $\mu$ s.
- Set the VME BTO chain position to 1 extender, non-slot0.
- Do not source CLK10.
- Set the proper logical address.

## Module Features

### **Data Flow Diagram and FIFO Architecture**

The illustration on the next page shows data flow in the HP E1433A. In this example there are four 4-channel input assemblies for a total of 16 input channels. The data for all channels is sent to the FIFO. The FIFO is divided into sections, one for each channel. The data moves through a circular buffer (first-in-first-out) until a trigger causes it to be sent on to the VME Bus. The data can also be sent to the Local Bus if option UGH is present.

The size of the sections in the FIFO is flexible. The amount of DRAM memory for each channel is the total DRAM memory divided by the number of channels. The standard DRAM size is 4 MB; an optional 32 MB DRAM is available.

The trigger can be programmed to trigger on the input or on information from the software. The following are examples of ways a trigger can be generated.

- input level or bound
- source
- external trigger
- RPM level (with tachometer option AYE)
- ttl\_trigger (VXI backplane)
- freerun (automatic)

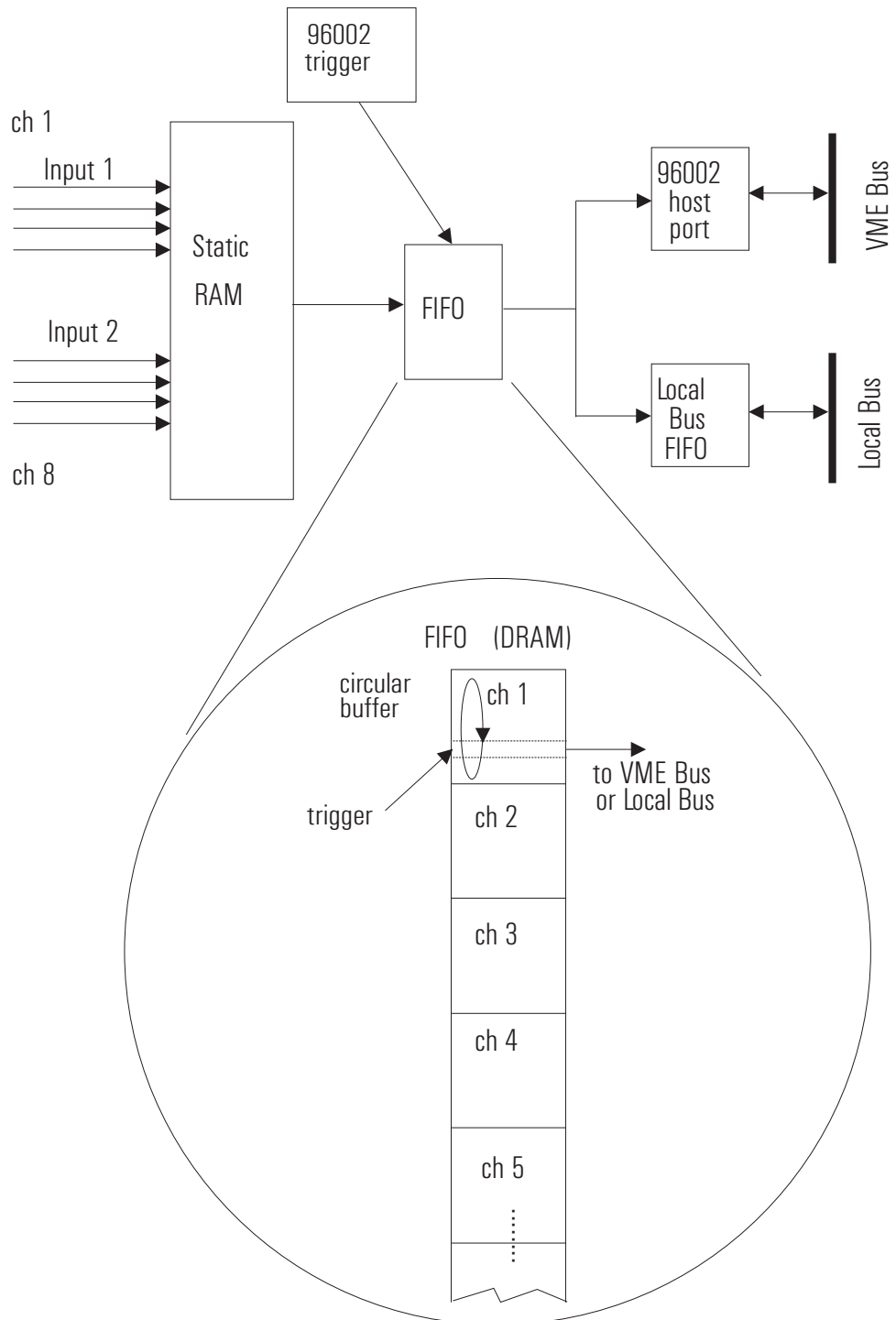


Figure 3-5: Data flow and FIFO architecture

## Base Sample Rates

### Baseband Measurement Spans

The table on the following page shows the measurement spans available for base sample rates, for baseband measurements.

“Fs” is the sample frequency or sample rate. The value for zero divide-by-two steps and no divide-by-5 step is the top measurement span corresponding to the sample rate. This is with no decimation and using 400 lines to avoid alias. The other values on the table are for this top span decimated by five and/or two.

For an HP E1433A which has option 1D4, the Arbitrary Source, the sample rate for the source is automatically set to be the same as the sample rate selected for the inputs. When the source is active the sample rate cannot be greater than 65.536 kHz.

### Decimation Filter Diagram

The drawing below illustrates the way the spans in the table are generated. In the case of baseband spans (lower limit of span fixed at zero), the frequency can (optionally) be divided by five and then (optionally) divided by two up to sixteen times.

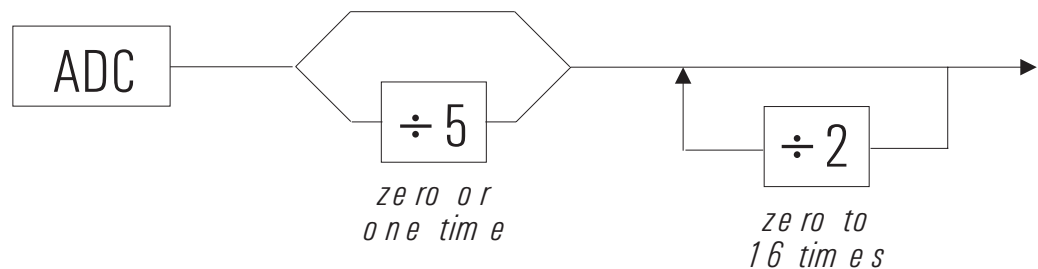


Figure 3-6: Decimation filter diagram - baseband

**Table of Baseband Measurement Spans (part 1 of 4)**  
**All values in Hertz.**

sample frequency (Fs) ->	48000		50000		51200	
	with divide-by-5	without divide-by-5	with divide-by-5	without divide-by-5	with divide-by-5	without divide-by-5
0	3750.000000	18750.000000*	3906.250000	19531.250000*	4000.000000	20000.000000*
1	1875.000000	9375.000000	1953.125000	9765.625000	2000.000000	10000.000000
2	937.500000	4687.500000	976.562500	4882.812500	1000.000000	5000.000000
3	468.750000	2343.750000	488.281250	2441.406250	500.000000	2500.000000
4	234.375000	1171.875000	244.140625	1220.703125	250.000000	1250.000000
5	117.187500	585.937500	122.070312	610.351562	125.000000	625.000000
6	58.593750	292.968750	61.035156	305.175781	62.500000	312.500000
7	29.296875	146.484375	30.517578	152.587891	31.250000	156.250000
8	14.648438	73.242188	15.258789	76.293945	15.625000	78.125000
9	7.324219	36.621094	7.629395	38.146973	7.812500	39.062500
10	3.662109	18.310547	3.814697	19.073486	3.906250	19.531250
11	1.831055	9.155273	1.907349	9.536743	1.953125	9.765625
12	0.915527	4.577637	0.953674	4.768372	0.976562	4.882812
13	0.457764	2.288818	0.476837	2.384186	0.488281	2.441406
14	0.228882	1.144409	0.238419	1.192093	0.244141	1.220703
15	0.114441	0.572205	0.119209	0.596046	0.122070	0.610352
16	0.057220	0.286102	0.059605	0.298023	0.061035	0.305176

Notes:

\* For the top span the 3dB bandwidth is 1.15 times span shown.

To select a sample frequency for time domain data, first divide the desired sample frequency by 2.56 to convert it to a measurement span. Then locate the closest measurement span on this table and choose the corresponding sample frequency at top of the table.



**Table of Baseband Measurement Spans (part 2 of 4)**  
**All values in Hertz.**

sample frequency (Fs) ->	64000		65536		76800	
	with divide-by-5	without divide-by-5	with divide-by-5	without divide-by-5	with divide-by-5	without divide-by-5
0	5000.000000	25000.000000*	5120.000000	25600.000000*	6000.000000	30000.000000*
1	2500.000000	12500.000000	2560.000000	12800.000000	3000.000000	15000.000000
2	1250.000000	6250.000000	1280.000000	6400.000000	1500.000000	7500.000000
3	625.000000	3125.000000	640.000000	3200.000000	750.000000	3750.000000
4	312.500000	1562.500000	320.000000	1600.000000	375.000000	1875.000000
5	156.250000	781.250000	160.000000	800.000000	187.500000	937.500000
6	78.125000	390.625000	80.000000	400.000000	93.750000	468.750000
7	39.062500	195.312500	40.000000	200.000000	46.875000	234.375000
8	19.531250	97.656250	20.000000	100.000000	23.437500	117.187500
9	9.765625	48.828125	10.000000	50.000000	11.718750	58.593750
10	4.882812	24.414062	5.000000	25.000000	5.859375	29.296875
11	2.441406	12.207031	2.500000	12.500000	2.929688	14.648438
12	1.220703	6.103516	1.250000	6.250000	1.464844	7.324219
13	0.610352	3.051758	0.625000	3.125000	0.732422	3.662109
14	0.305176	1.525879	0.312500	1.562500	0.366211	1.831055
15	0.152588	0.762939	0.156250	0.781250	0.183105	0.915527
16	0.076294	0.381470	0.078125	0.390625	0.091553	0.457764

Notes:

\*For the top span the 3dB bandwidth is 1.15 times span shown.

To select a sample frequency for time domain data, first divide the desired sample frequency by 2.56 to convert it to a measurement span. Then locate the closest measurement span on this table and choose the corresponding sample frequency at top of the table.

**Table of Baseband Measurement Spans (part 3 of 4)**  
**All values in Hertz.**

sample frequency (Fs) ->	80000		81920		96000	
	with divide-by-5	without divide-by-5	with divide-by-5	without divide-by-5	with divide-by-5	without divide-by-5
0	6250.000000	31250.000000*	6400.000000	32000.000000*	7500.000000	37500.000000*
1	3125.000000	15625.000000	3200.000000	16000.000000	3750.000000	18750.000000
2	1562.500000	7812.500000	1600.000000	8000.000000	1875.000000	9375.000000
3	781.250000	3906.250000	800.000000	4000.000000	937.500000	4687.500000
4	390.625000	1953.125000	400.000000	2000.000000	468.750000	2343.750000
5	195.312500	976.562500	200.000000	1000.000000	234.375000	1171.875000
6	97.656250	488.281250	100.000000	500.000000	117.187500	585.937500
7	48.828125	244.140625	50.000000	250.000000	58.593750	292.968750
8	24.414062	122.070312	25.000000	125.000000	29.296875	146.484375
9	12.207031	61.035156	12.500000	62.500000	14.648438	73.242188
10	6.103516	30.517578	6.250000	31.250000	7.324219	36.621094
11	3.051758	15.258789	3.125000	15.625000	3.662109	18.310547
12	1.525879	7.629395	1.562500	7.812500	1.831055	9.155273
13	0.762939	3.814697	0.781250	3.906250	0.915527	4.577637
14	0.381470	1.907349	0.390625	1.953125	0.457764	2.288818
15	0.190735	0.953674	0.195312	0.976562	0.228882	1.144409
16	0.095367	0.476837	0.097656	0.488281	0.114441	0.572205

Notes:

\*For the top span the 3dB bandwidth is 1.15 times span shown.

To select a sample frequency for time domain data, first divide the desired sample frequency by 2.56 to convert it to a measurement span. Then locate the closest measurement span on this table and choose the corresponding sample frequency at top of the table.

**Table of Baseband Measurement Spans (part 4 of 4)**  
**All values in Hertz.**

sample frequency (Fs) – >	100000		102400		128000	
	with divide-by-5	without divide-by-5	with divide-by-5	without divide-by-5	with divide-by-5	without divide-by-5
0	7812.500000	39062.500000*	8000.000000	40000.000000*	10000.000000	50000.000000*
1	3906.250000	19531.250000	4000.000000	20000.000000	5000.000000	25000.000000
2	1953.125000	9765.625000	2000.000000	10000.000000	2500.000000	12500.000000
3	976.562500	4882.812500	1000.000000	5000.000000	1250.000000	6250.000000
4	488.281250	2441.406250	500.000000	2500.000000	625.000000	3125.000000
5	244.140625	1220.703125	250.000000	1250.000000	312.500000	1562.500000
6	122.070312	610.351562	125.000000	625.000000	156.250000	781.250000
7	61.035156	305.175781	62.500000	312.500000	78.125000	390.625000
8	30.517578	152.587891	31.250000	156.250000	39.062500	195.312500
9	15.258789	76.293945	15.625000	78.125000	19.531250	97.656250
10	7.629395	38.146973	7.812500	39.062500	9.765625	48.828125
11	3.814697	19.073486	3.906250	19.531250	4.882812	24.414062
12	1.907349	9.536743	1.953125	9.765625	2.441406	12.207031
13	0.953674	4.768372	0.976562	4.882812	1.220703	6.103516
14	0.476837	2.384186	0.488281	2.441406	0.610352	3.051758
15	0.238419	1.192093	0.244141	1.220703	0.305176	1.525879
16	0.119209	0.596046	0.122070	0.610352	0.152588	0.762939

Notes:

\*For the top span the 3dB bandwidth is 1.15 times span shown.

To select a sample frequency for time domain data, first divide the desired sample frequency by 2.56 to convert it to a measurement span. Then locate the closest measurement span on this table and choose the corresponding sample frequency at top of the table.

**HP E1433 sample frequencies**

The following is a list of all sample frequencies (in Hz) available on the HP E1433A, including those not listed in the preceding table.

48000.0  
49152.0  
50000.0  
51200.0  
52400.852878  
61440.0  
62500.0  
64000.0  
65536.0  
66666.666667  
76800.0  
78125.0  
80000.0  
81920.0  
96000.0  
98304.0  
100000.0  
102400.0  
122880.0  
125000.0  
128000.0

For the following frequencies (in Hz), filtered and decimated spans not available:

133333.333333  
153600.0  
156250.0  
163840.0  
192000.0  
196608.0

---

## Measurement Process

### Measurement Setup and Control

When the HP E1433A makes a measurement, the measurement itself consists of two phases: the measurement initialization, and the measurement loop. Each of these phases consists of several states, through which the measurement progresses.

The transition from one state to the next is tied to a transition in the Sync/Trigger line (one of the TTL trigger lines on the VXI back plane). A state (such as Idle) begins when the Sync/Trigger line goes low. The Sync/Trigger line then remains low as long as the state is in effect. When the Sync/Trigger line goes high it signals the transition to the next state. See the sections "Measurement Initialization" and "Measurement Loop" below for more details about these transitions. During all the transitions of the Sync/Trigger line, the clock line continues with a constant pulse.

The Sync/Trigger line is "wire-OR'd" such that all modules in a multiple-module system (within one mainframe) must release it for it to go high. Only one HP E1433A is required to pull the Sync/Trigger line low. In a system with only one HP E1433A, the Sync/Trigger line is local to the module and not is routed to a TTL TRIGGER line on the VXI back plane.

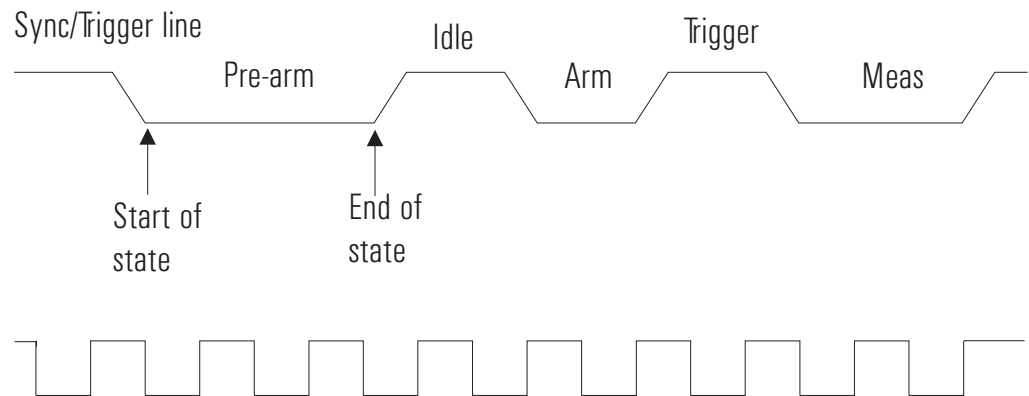


Figure 3-7: Transitions between states

### Parameter Settings

Many parameters are channel-dependent, meaning that each channel can be set independently of the others in the module. Other parameters are module-dependent; changing a module-dependent parameter for a channel will change it for all channels on that module. For example, changing blocksize, a module-dependent parameter, for input channel 3 will also change the block size for all other channels in the same HP E1433A module as channel 3.

When possible, parameters are written to the hardware as soon as they are received. Sometimes, the parameter can't be written to the hardware until the start of a measurement; in this case the value of the parameter is saved in RAM in the HP E1433A module until the measurement is started with `hpe1432_initMeasure`. Some parameters can be changed while a measurement is running, but many do not take effect until the next start of a measurement.

### Measurement Initialization

This section describes the measurement initialization process in the HP E1433A.

The measurement initialization states, and the corresponding Sync/Trigger line transitions (with 'H' for high, 'L' for Low) are:

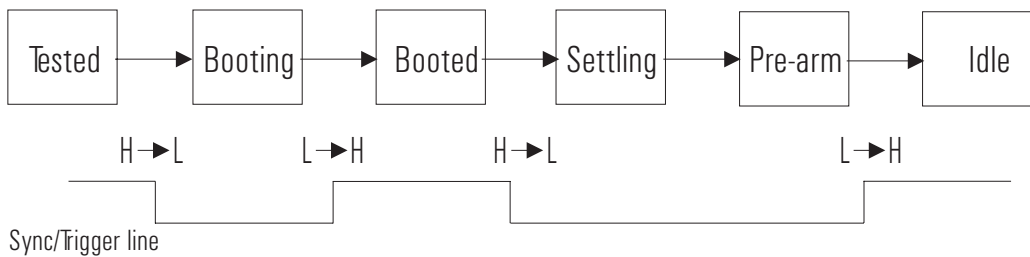


Figure 3-8: Measurement initialization

The module enters the TESTED state after a reset. In this state, all of the module parameters may be set. The HP E1433A stays in the TESTED state until it sees a high-to-low transition of the Sync/Trigger line.

In the BOOTING state, the digital processors of the module load their parameters, and their program. Once done, the module releases the Sync/Trigger line and moves to the BOOTED state. The HP E1433A stays in the BOOTED state until it sees a high-to-low transition of the Sync/Trigger line (that is, all the HP E1433As in the system have booted).

In the SETTLING state, the digital filters are synchronized, and the digital filter output is 'settled' (it waits N samples before outputting any data). Once the module is settled, it advances to the PRE\_ARM state.

In the PRE\_ARM state, the module waits for a pre-arm condition to take place. The default is to auto-arm, so the module would not wait at all in this case. When the pre-arm condition is met, the module releases the Sync/Trigger line and advances to the IDLE state.

This complete measurement sequence initialization, from TESTED through BOOTING, BOOTED, SETTLING, PRE-ARM, and IDLE, can be performed with a call to the function `hpe1432_initMeasure`.

### Measurement Loop

This section describes the measurement loop in the HP E1433A.

The progression of measurement states and the corresponding Sync/Trigger line transitions are:

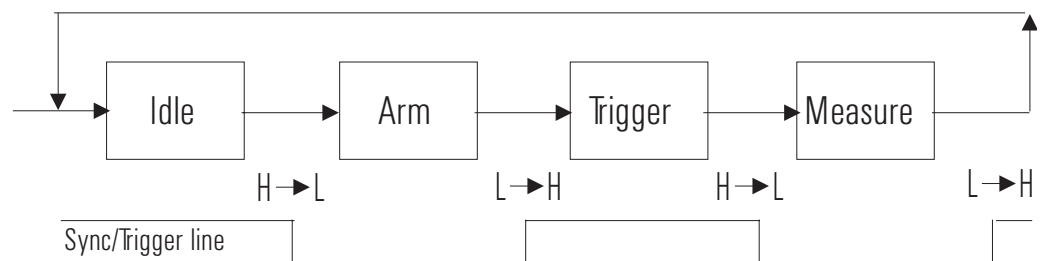


Figure 3-9: Measurement loop

In the IDLE state the HP E1433A writes no data into the FIFO. The HP E1433A remains in the IDLE state until it sees a high-to-low transition of the Sync/Trigger line or an RPM arm/trigger point is calculated. If any of the HP E1433As in the system is programmed for auto arming (with `hpe1432_setArmMode`), the Sync/Trigger line is immediately pulled low by that HP E1433A. The HP E1433A may also be moved to the ARM state by an explicit call to the function `hpe1432_armMeasure`.

Upon entering the ARM state the HP E1433A starts saving new data in its FIFO. It remains in the ARM state until the Sync/Trigger line goes high. If the HP E1433A is programmed with a pre-trigger delay, it collects enough data samples to satisfy this pre-trigger delay, and then releases the Sync/Trigger line. If no pre-trigger delay has been programmed, it releases the Sync/Trigger line immediately. When all modules in a system have released the Sync/Trigger line (allowing it to go high), a transition to the TRIGGER state occurs.

Upon entering the TRIGGER state the HP E1433A continues to collect data into the FIFO, discarding any data prior to the pre-trigger delay. The HP E1433A remains in the TRIGGER state until it sees a high-to-low transition of the Sync/Trigger line. The Sync/Trigger line is pulled low by any HP E1433A which encounters a trigger condition and is programmed to pull the Sync/Trigger line. If any HP E1433A is programmed for auto triggering (with `hpe1432_setAutoTrigger`), the Sync/Trigger line is pulled low immediately. The Sync/Trigger line may also be pulled low by an explicit call to the function `hpe1432_triggerMeasure`.

Upon entering the MEASURE state the HP E1433A continues to collect data. The HP E1433A also presents the first data from the FIFO to the selected output port, making it available to the controller to read. The HP E1433A holds the Sync/Trigger line low as long as it is actively collecting data. In overlap block mode the HP E1433A stops taking data as soon as a block of data has been collected, including any programmed pre- or post-trigger delays. (It starts again when another trigger occurs). In continuous mode, the HP E1433A stops taking data only when the FIFO overflows. When data collection stops, the HP E1433A releases the Sync/Trigger line. When all HP E1433As are finished and the Sync/Trigger line goes high, the HP E1433A goes into the IDLE state again.

The measurement initialization and loop may be interrupted at any time with a call to `hpe1432_resetMeasure`, which puts the module in the TESTED state.

### **Register-based VXI Devices**

The HP E1433A is a register-based VXI device. Unlike message-based devices which use higher-level programming using ASCII characters, register-based devices are programmed at a very low level using binary information. The greatest advantage of this is speed. Register-based devices communicate at the level of direct hardware manipulation and this can lead to much greater system throughput.

Users do not need to access the registers in order to use the HP E1433A. The HP E1433A's functions can be more easily accessed using the HP E1433A Host Interface Library software. However, if you want more information about the registers see Appendix A: Register Definitions.



### **Arm and Trigger**

This section explains some terminology relating the the “Arm” and “Trigger” steps in the measurement loop. As an example a measurement might be set up to arm at a certain RPM level and then subsequently trigger at an external event corresponding to top dead center (TDC). The settings would be:

- Arm: RPM Step Arm
- Trigger: External Trigger

If you want to begin a throughput session at this same RPM/TDC event, then the first external trigger after a specified RPM would start a continuous mode measurement. Now (using overlap block mode) the settings would be:

- Pre-Arm: RPM Step Arm
- Arm: Auto
- Trigger: Auto

In the measurement loop, an arm must take place before a trigger. You can program how many triggers to do before waiting for another arm condition. The default is one trigger for each arm. For each trigger, a block of data is sent to the host.

The first arm in a measurement is the pre-arm. By default, the pre-arm condition is the same as the regular arm conditions.

Valid Arm (and Pre-Arm) conditions are:

- Auto Arm
- Manual Arm
- RPM Step Arm

Valid trigger conditions are:

- Auto Trigger
- Input Trigger
- Source Trigger
- External Trigger
- Manual Trigger
- Tachometer Edge Trigger

### **HP E1433A Triggering.**

The following is a short discussion of triggering for the HP E1433A.

Triggering is defined as the transition from the armed state to the triggered state. This transition is caused by a low going edge on a TTL trigger line. The function `hpe1432_getTtltrgLines` selects which of the eight TTL trigger lines is to be used.

The low-going transition of the TTL trig line can be caused by any of the following items:

<b>trigger type</b>	<b>enabling function</b>
the AUTO TRIGGER circuitry	<code>hpe1432_setAutoTrigger</code>
the <code>hpe1432_triggerMeasure</code> function	<code>hpe1432_triggerMeasure</code>
a source trigger	<code>hpe1432_setTriggerChannel</code>
a tach trigger	<code>hpe1432_setTriggerChannel</code>
an external trigger	<code>hpe1432_setTriggerExt</code>
an input level or bound trigger event	<code>hpe1432_setTriggerChannel</code> and <code>hpe1432_setTriggerMode</code>

Each of these trigger sources can be enabled or disabled independently, so quite complex trigger setups are possible. In all cases, however, the first trigger event kicks off the measurement and the following trigger events become superfluous.

Note that for `hpe1432_setAutoTrigger` the setting `HPE1432_MANUAL_TRIGGER` really means “don’t auto trigger” not “expect a manual trigger”.

For single-HP E1433A systems, the TTL trigger signal is not connected to the VXI backplane. For multiple HP E1433A systems, the `hpe1432_initMeasure` function connects the HP E1433A trigger lines to the VXI backplane, and at that point, your selection of which TTL trigger lines through `hpe1432_getTtltrgLines` is relevant. Multiple mainframe systems will need to account for the unidirectional nature of the inter-mainframe MXI extenders which will prevent all but the “upstream” mainframe from triggering the system.

### **Trigger Level**

To set the trigger level, use `hpe1432_setTriggerMode` to select “level” or “bound” mode; and use `hpe1432_setTriggerLevel` twice to set both the upper and lower trigger levels. The difference between the upper and lower trigger levels must be at least 10% of full scale (and 10% is usually the best amount).

Also use `hpe1432setTriggerSlope` to specify a positive or negative trigger slope.

### **Level mode**

If the mode is set to “level” and the trigger slope is positive, then the module triggers when the signal crosses both the upper and lower trigger levels in the positive direction. If the trigger slope is negative, the module triggers when the signal crosses both levels in the negative direction. Setting two trigger levels prevents the module from triggering repeatedly when a noisy signal crosses the trigger level.

### **Bound mode**

If the mode is set to “bound” and the trigger slope is positive, then the module triggers when the signal exits the zone between the upper and lower trigger levels in either direction. If the trigger slope is negative, the module triggers when the signal enters the zone between the upper and lower trigger levels.

## **Data Transfer Modes**

The HP E1433A can be programmed to use either of two data transfer modes: overlap block mode and continuous mode. To help explain these modes we will first describe block mode.

### **Block Mode (HP E1431A)**

The HP E1433A's overlap block mode is similar the block mode which is used in other Hewlett-Packard instruments such as the HP E1431A. In block mode, the input hardware acquires one block after getting an arm and trigger. It does not allow the system to trigger until it is ready to process the trigger, and it acquires pre-trigger data if necessary. The hardware does not accept a new arm and trigger until the acquired block is sent to the host. There is no provision for overlap or queuing up more than one block when in block mode. There is also no way for a FIFO overflow to occur.

The HP E1433A's overlap block mode can be configured to act exactly like traditional block mode. It also has additional capabilities as described below.

### **Continuous Mode.**

Both the HP E1433A and the HP E1431A use continuous mode. In this mode, the input hardware waits for an arm and trigger, and then starts acquiring data continuously. If the host is slow, several blocks can be queued up in the input hardware. If the host gets far enough behind, a FIFO overflow occurs and the input stops acquiring data.

The HP E1433A's overlap block mode can be configured to act similarly to continuous mode, but not identically. The HP E1433A can also use the traditional continuous mode.

### **Overlap Block Mode**

Overlap block mode combines features of both block mode and continuous mode. The main difference between overlap block mode and traditional block mode is that overlap block mode allows additional arms and triggers to occur before an already-acquired block is sent to the host. A trigger can occur before the end of the previous block, so overlapping blocks are possible (hence the name "overlap block mode"). As in continuous mode, there is an overlap parameter which controls how much overlap is allowed between consecutive blocks.

### **Limit on Queuing of Data**

In overlap block mode, a number of trigger events may be queued up before the host reads the data for those triggers. The host may get further and further behind the data acquisition.

However, if the host gets far enough behind that the FIFO fills up, data acquisition must momentarily stop and wait for data to get transferred to the host. This places a limit on how far in time the host can be behind the data acquisition. By setting the size of the FIFO, you can control how far behind the host can get.

### **Making Overlap Block Mode Act Like Traditional Block Mode**

If the FIFO size is set the same as the block size, or if the number of pending triggers is limited to zero, then overlap block mode becomes identical to traditional block mode.

### **Making Overlap Block Act Like Continuous Mode**

If the module is in auto-arm and auto-trigger mode, then overlap block mode becomes nearly the same as continuous mode.

One difference is that traditional continuous mode has a single arm and trigger, while overlap block mode may have multiple arms and triggers. Another is that continuous mode can be configured to start at any type of trigger event, while overlap block mode must be in auto-trigger mode to act like continuous mode. Finally, continuous mode always stops when a FIFO overflow occurs, but overlap block mode does not.

## HP E1433A Interrupt Behavior

### Interrupt Setup

For an example of interrupt handling see the program `event.c` in the `examples` directory.

The HP E1433A VXI module can be programmed to interrupt a host computer using the VME interrupt lines. VME provides seven such lines. Using `hpe1432_setInterruptPriority`, you can set up the HP E1433A module to use any one of them.

The HP 1432A can interrupt the host computer in response to different events. Using `hpe1432_setInterruptMask` you can specify a mask of events on which to interrupt. This mask is created by OR-ing together the various conditions for an interrupt. The following table shows the conditions that can cause an interrupt:

### Interrupt Mask Bit Definitions

Define (in <code>e1432.h</code> )	Description
<code>HPE1432_IRQ_BLOCK_READY</code>	Scan of data ready in FIFO
<code>HPE1432_IRQ_MEAS_ERROR</code>	FIFO overflow
<code>HPE1432_IRQ_MEAS_STATE_CHANGE</code>	Measurement state machine changed state
<code>HPE1432_IRQ_MEAS_WARNING</code>	Measurement warning
<code>HPE1432_IRQ_OVERLOAD_CHANGE</code>	Overload status changed
<code>HPE1432_IRQ_SRC_STATUS</code>	Source channel interrupt
<code>HPE1432_IRQ_TACHS_AVAIL</code>	Raw tach times ready for transfer to other modules
<code>HPE1432_IRQ_TRIGGER</code>	Trigger ready for transfer to other modules

### HP E1433A Interrupt Handling

To make the HP E1433A module do the interrupt, both a mask and a VME Interrupt line must be specified, by calling `hpe1432_setInterruptMask` and `hpe1432_setInterruptPriority` respectively. Once the mask and line have been set, and an interrupt occurs, the cause of the interrupt can be obtained by reading the `HPE1432_IRQ_STATUS_REG` register (using `hpe1432_getInterruptReason`). The bit positions of the interrupt mask and status registers match so the defines can be used to set and check IRQ bits.

Once it has done this interrupt, the module will not do any more VME interrupts until re-enabled with `hpe1432_reenableInterrupt`. Normally, the last thing a host computer's interrupt handler should do is call `hpe1432_reenableInterrupt`.

Events that would have caused an interrupt, but which are blocked because `hpe1432_reenableInterrupt` has not yet been called, will be saved. After `hpe1432_reenableInterrupt` is called, these saved events will cause an interrupt, so that there is no way for the host to "miss" an interrupt. However, the module will only do one VME interrupt for all of the saved events, so that the host computer will not get flooded with too many interrupts.

For things like "HPE1432\_IRQ\_BLOCK\_READY", which are not events but are actually states, the module will do an interrupt after `hpe1432_reenableInterrupt` only if the state is still present. This allows the host computer's interrupt handler to potentially read multiple scans from an HP E1433A module, and not get flooded with block ready interrupts after the fact.

### **Host Interrupt Setup**

This is a summary of how to set up an HP E1433A interrupt:

- ❑ Look at the Resource Manager to find out which VME interrupt lines are available.
- ❑ Tell the HP E1433A module to use the a VME interrupt line found in step one, using `hpe1432_setInterruptPriority`.
- ❑ Set up an interrupt handler routine, using `hpe1432_callBackInstall`. The interrupt handler routine will get called when the interrupt occurs.
- ❑ Set up interrupt mask in the HP E1433A module, using `hpe1432_setInterruptMask`.

### **Host Interrupt Handling**

When the HP E1433A asserts the VME interrupt line, the program will cause the specified interrupt handler to get called. Typically the interrupt handler routine will read data from the module, and then re-enable HP E1433A interrupts with `hpe1432_reenableInterrupt`. The call to `hpe1432_reenableInterrupt` must be done unless the host is not interested in any more interrupts.

Inside the interrupt handler, almost any HP E1433A Host Interface library function can be called. This works because the Host Interface library disables interrupts around critical sections of code, ensuring that communication with the HP E1433A module stays consistent. Things that are not valid in the handler are:

- ❑ Calling `hpe1432_createChannelGroup` to delete a group that is simultaneously being used by non-interrupt-handler code.
- ❑ Calling one of the read data functions (`hpe1432_readRawData` or `hpe1432_readFloat64Data`), if the non-interrupt-handler code is also calling one of these functions.
- ❑ Calling `hpe1432_init` to reset the list of channels that are available to the HP E1433A library.

As is always the case with interrupt handlers, it is easy to introduce bugs into your program, and generally hard to track down these bugs. Be careful when writing this function.

### **Data Gating**

Sometimes you may wish to monitor data from some input channels and not others. The function `hpe1432_setEnable` enables or disables data from an input channel (or group of channels). If data is enabled, then the data can be read using `hpe1432_blockAvailable` and `hpe1432_readRawData` or `hpe1432_readFloat64Data`. If data is disabled, data from the specified channel is not made available to the host computer.

This parameter can be changed while a measurement is running, to allow the host computer to look at only some of the data being collected by the HP E1433A module. While data from a channel is disabled the input module continues to collect data but it is not made available to the host computer. The host can then switch from looking at some channels to looking at others during the measurement. In contrast, the function `hpe1432_setActive` completely enables or disables a channel and can't be changed while a measurement is running.

For order tracking measurements this function can be used to switch between receiving order tracking data, ordinary time data, or both.

### **HP E1433A Parameters**

Some parameters, such as range or coupling, apply to specific channels. When a channel ID is given to a function that sets a channel-specific parameter, only that channel is set to the new value.

Some parameters, such as clock frequency or data transfer mode, apply globally to a module. When a channel ID is used to change a parameter that applies to a whole module, the channel ID is used to determine which module. The parameter is then changed for that module.

Starting and stopping a measurement is somewhat like setting a global parameter. Starting a measurement starts each active channel in each module that has a channel in the group.



After firmware is installed, and after a call to `hpe1432_preset`, all of the parameters (both channel-specific and global) in an HP E1433A module are set to their default values. For channel-specific parameters, the default value may depend on the type of channel. Some channel-specific parameters apply only to a specific type of channel. For example, `tach holdoff` applies only to `tach` channels. Setting such a parameter for a channel that doesn't make sense will result in an error.

At the start of a measurement, the HP E1433A firmware sets up all hardware parameters, and ensures that the input hardware is settled before starting to take data. The firmware also ensures that any digital filters have time to settle. This ensures that all data read from the module will be valid.

However, after a measurement starts, HP E1433A parameters can still be changed. The effect of this change varies, depending on the parameter. For some parameters, changing the value aborts the measurement immediately. For other parameters, the measurement is not aborted, but the changed parameter value is saved and not used until a new measurement is started. For still other parameters, the parameter change takes place immediately, and the data coming from the module may contain glitches or other effects from changing the parameter. See the chapter titled "The C-Language Host Interface Library" for Parameter Lists showing the effects for each parameter. Parameter names for the `VXIplug&play` library are similar to those for the C-Language Host Interface Library.

You cannot tell the module to wait for settling when changing a parameter in the middle of a measurement. The only way to wait for settling is to stop and re-start the measurement. Also, you cannot disable the settling that takes place at the start of a measurement.

Refer to the (on-line) HP E1433A Function Reference for the parameters needed for each function. (See "Where to get more information" in this chapter.)

## New features of the HP E1432A/HP E1433A software

The following features have been added to the HP E1432A/HP E1433A software since the previous edition of this manual. These and other features are documented in the online Function Reference. For more information look in the Function Reference entries for the functions that are used by the feature.

### **Auto range**

Auto range calculates the best range for each channel so that the signal is full scale but not overloaded. Auto range works only while the measurement is running.

### **Averaging**

Averaging can be done for resampling measurements on frequency or order data. It uses the function `hpe1432_setAvgMode`. You can set several averaging modes: RMS averaging, linear averaging, exponential averaging, or peak hold averaging.

### **Continuous re-sampled data**

Continuous re-sampling forces the blocks of data to be contiguous, with no gaps between them. It uses the existing function `hpe1432_setArmMode`. (Without continuous re-sampling, each block of data follows the previous block after some interval, depending on the next trigger event.)

### **Fast span or range change**

You can now change the span or range while the measurement is running, using the existing functions `hpe1432_setSpan` or `hpe1432_setRange`. Previously if you sent the command while a measurement was running, it would wait until the next measurement. Now it will change the span or range when the command is sent.

### **Time arming**

This uses a new function `hpe1432_setArmTimeInterval`. It allows you to specify a time interval for arming. For example you could set it to get a block of data every second.

### **Weighting filters (HP E1433A only)**

For the HP E1433A, you can set any of three weighting filters (A-weighting, B-weighting, or C-weighting). This feature uses the function `hpe1432_setWeighting`.

### **Zoom (HP E1432A only)**

Up to now the HP E1432A has made only baseband measurements (from zero to some frequency.) Zoom allows you to set a center frequency and look at a window of frequencies around it. It uses two new functions: `hpe1432_setZoom` (turns zoom on/off) and `hpe1432_setCenterFreq`. (Zoom has not been implemented for the HP E1433A).

### **Zoom (for the Arbitrary Source, option 1D4)**

This is similar to zoom for the HP E1432A input. Zoom for the source allows you to set a center frequency and a span for the output signal. It uses the existing function `hpe1432_setSourceMode` with a new zoom parameter.

Zoom applies to random burst source mode and continuous source mode, for both the HP E1432A and the HP E1433A. When used with the HP E1432A, if you set the source center frequency to zero, the source center frequency will be the same as the center frequency set for the HP E1432A input. This is also true for the span.

## Where to get more information

There is more information available about the HP E1433A. This section will tell you how to access it and print it, if desired.

The HP E1433A uses the same software as the HP E1432A 16 Channel 51.2 kSa/sec Digitizer plus DSP.

### **The Function Reference for VXIplug&play**

On a PC: The HP E1432A Function Reference is in Microsoft Help text. Select the Help icon in the "VXIIPNP" folder. Refer to Microsoft Windows documentation (including Help text) for information on using and printing Help.

On a unix system, look at the README file at opt/hyperhelp. It includes instructions on how to install and use the VXIplug&play help.

### **The Function Reference for the Host Interface Library (C-language version)**

The HP E1432A distribution includes manual pages for the HP E1432A Host Interface library. These manual pages can be examined on-line, using the "ptman" command that is shipped in "/opt/e1432/bin". For example, you can read the manual page for the "e1432\_init\_measure" function by typing:

```
ptman e1432_init_measure
```

The distribution also includes a nicely formatted set of these manual pages, that can be printed on any postscript printer. This manual in postscript form is in file "/opt/e1432/man/man.ps". Typically, this manual can be printed by typing:

```
lp -opostscript /opt/e1432/man/man.ps
```

Alternatively, if there is no postscript printer available, a plain text version of the manual is in file "/opt/e1432/man/man.txt". This can be printed on any line printer.

Users of the C-language library will also find useful information about the HP E1433A in the HP E1432A help text (see above).

---

# 4

---

## The C-Language Host Interface Library

## Introduction

The Host Interface Library for the HP E1433A is a set of functions that allow you to program the register-based HP E1433A at a higher level than register reads and writes. The library allows groups of HP E1433As to be set up and programmed as if they were one entity.

The HP E1433A uses the same software as the HP E1432A 16 Channel 51.2 kSa/sec Digitizer plus DSP.

Two version of the Host Interface Library are available. One is the HP-UX C-Language Host Interface Library which uses SICL (the Standard Instrument Interface Library) to communicate to the HP E1433A hardware. The other is the VXIplug&play Library which communicates with the hardware using the VXIplug&play standard. This chapter covers the C-Language version. If you are using the VXIplug&play version, you will not need this chapter. Instead, see the chapters titled "Getting Started With the HP E1433A" and "Using the HP E1433A"

The library includes routines to set up and query parameters, start and stop measurements, read and write data, and control interrupts. Routines to aid debugging and perform low-level I/O are also included.

For information on diagnostics see the chapter titled "Troubleshooting the HP E1433A."

Almost all functions in this library return 0 if they complete successfully and a negative error number if there is a problem. The return value of the function should always be checked and appropriate action taken for non-zero values. See the on-line man pages for more information on error messages.

## Header and Library Files

The /opt/e1432/lib directory contains several versions of the HP E1432A Host Interface library:

<b>lib1432.a</b>	A normal HP-UX archive library, used by host programs wanting to talk to HP E1433A hardware.
<b>lib1432.sl</b>	An HP-UX shared library, used by host programs wanting to talk to HP E1433A hardware. This and the above archive library do exactly the same things. Usually, host programs would use the shared library, because it makes the host program smaller.
<b>libd1432.a</b>	An HP E1485A downloadable library. This is untested and not supported at this time.
<b>llib-1432.ln</b>	A lint library for the HP E1432A C-Language Host Interface Library. If you don't use lint (a unix tool for checking your source code for problems), you won't care about this file.

An application using the HP E1432A C-Language Host Interface Library must link in one of these libraries, typically lib1432.sl. The HP-UX versions of the HP E1432A library use SICL to communicate with the HP E1433A hardware, so an application using the HP E1432A library must also link in the SICL library. Normally, this is found in /usr/lib/libsiel.sl.

Any application source code which uses any of the HP E1432A C-Language Host Interface Library functions must include the e1432.h include file, found in /opt/e1432/include. Internally, this file includes machType.h, which is also found in /opt/e1432/include. If the application refers to specific HP E1433A error numbers, it must also include err1432.h.

## Parameter Information

### Description of HP E1433A Parameters

Some parameters, such as range or coupling, apply to specific channels. When a channel ID is given to a function that sets a channel-specific parameter, only that channel is set to the new value.

Some parameters, such as clock frequency or data transfer mode, apply globally to a module. When a channel ID is used to change a parameter that applies to a whole module, the channel ID is used to determine which module. The parameter is then changed for that module.

Starting and stopping a measurement is somewhat like setting a global parameter. Starting a measurement starts each active channel in each module that has a channel in the group.

After firmware is installed, and after a call to `e1432_preset`, all of the parameters (both channel-specific and global) in an HP E1433A module are set to their default values. For channel-specific parameters, the default value may depend on the type of channel. Some channel-specific parameters apply only to a specific type of channel. For example, tach holdoff applies only to tach channels. Setting such a parameter for a channel that doesn't make sense will result in an error.

At the start of a measurement, the HP E1433A firmware sets up all hardware parameters, and ensures that the input hardware is settled before starting to take data. The firmware also ensures that any digital filters have time to settle. This ensures that all data read from the module will be valid.

However, after a measurement starts, HP E1433A parameters can still be changed. The effect of this change varies, depending on the parameter. For some parameters, changing the value aborts the measurement immediately. For other parameters, the measurement is not aborted, but the changed parameter value is saved and not used until a new measurement is started. For still other parameters, the parameter change takes place immediately, and the data coming from the module may contain glitches or other effects from changing the parameter.

You cannot tell the module to wait for settling when changing a parameter in the middle of a measurement. The only way to wait for settling is to stop and re-start the measurement. Also, you cannot disable the settling that takes place at the start of a measurement.



## Parameter Lists

This section shows which parameters are global parameters, which are channel-specific, and what types of channels the channel-specific parameters apply to. Default values are shown for all of these parameters. In addition, each parameter is categorized as “abort”, “wait”, “immediate”, or “glitch” depending on the behavior when this parameter is changed during a running measurement. Those with “abort” cause the measurement to abort. Those with “wait” don’t take effect until the start of the next measurement. Those with “immediate” take effect immediately. Those with “glitch” take effect immediately, and may cause glitches in the data that is read back, or on the source output if the parameter is applied to a source channel.

## Global Parameters

Parameter	Default Value	Changes
append_status	Off	Immediate
arm_channel	None	Immediate
arm_mode	Auto Arm	Immediate
arm_time_interval	1 Sec	Immediate
auto_group_meas	On	Wait
avg_mode	None	Wait
avg_number	10	Wait
auto_trigger	Auto Trigger	Abort
avg_update	10	Wait
avg_weight	1	Immediate
blocksize	1024	Abort
cal_dac	0	Immediate
cal_voltage	0 Volts	Immediate
calin	Grounded	Immediate
center_freq	2 kHz	Immediate
clock_freq	51.2 kHz	Abort
clock_master	Off	Abort
clock_source	Internal	Abort
data_mode	Block Mode	Abort

Parameter	Default Value	Changes
data_port	VME	Abort
data_size	16 Bit Integer	Abort
decimation_output	Single Pass	Wait
decimation_oversample	Off	Wait
decimation_undersamp	1	Wait
delta_order	0.1	Wait
fifo_size	0 (Use All DRAM)	Wait
filter_settling_time	64 samples	Wait
internal_debug	0x100	Immediate
interrupt_mask	0	Immediate
interrupt_priority	None	Immediate
lbus_mode	Pipe	Immediate
lbus_reset	Off (Not Reset)	Immediate
max_order	10	Wait
meas_time_lengh	0 (run forever)	Immediate
mmf_delay	0	Immediate
multi_sync	Off	Abort
overlap	0	Wait
pre_arm_mode	Auto Arm	Immediate
ramp	Off	Immediate
span	20000 Hz	Wait
sumbus	Off	Immediate
trigger_delay	0	Wait
trigger_ext	Off	Immediate
trigger_master	Off	Immediate
triggers_per_arm	1	Immediate
ttltrg_clock	TTLTRG1	Abort
ttltrg_gclock	TTLTRG1	Abort
ttltrg_satrg	TTLTRG0	Abort

<b>Parameter</b>	<b>Default Value</b>	<b>Changes</b>
ttltrg_trigger	TTLTRGO	Abort
window	Uniform	Glitch
xfer_size	0 (Use Blocksize)	Wait
zoom	Off	Waitt

### 196.608 kHz 4-channel Input Parameters

Parameter	Default Value	Changes
active	Off	Abort
anti_alias_digital(*)	On	Abort
auto_range_mode	Up/Down	Immediate
calc_data	Time	Wait
coupling	DC	Glitch
enable	On	Immediate
filter_freq	200 kHz	Immediate
input_high	Normal	Glitch
input_low	Floating	Glitch
input_mode(*)	Volt	Glitch
range	10 Volts	Glitch
range_charge	50,000 pico Coulombs	Glitch
range_mike	10 Volts	Glitch
trigger_channel	Off	Immediate
trigger_level_lower	-10%	Immediate
trigger_level_upper	0%	Immediate
trigger_mode	Level	Immediate
trigger_slope	Positive	Immediate

(\*) Input mode is listed as channel-specific, but it actually applies to all channels within an SCA (such as a 4-channel input assembly).

### Option 1D4 Single-channel Source Parameters

Parameter	Default Value	Changes
active	Off	Abort
amp_scale	1.0	Immediate
anti_alias_digital	On	Wait
duty_cycle	0.5	Immediate
filter_freq	25.6 kHz	Wait
ramp_rate	1 Second	Wait
range	0.041567 Volt	Immediate
sine_freq	1000 Hz	Immediate
sine_phase	0 Degrees	Immediate
source_blocksize	0 (Use Input Blocksize)	Wait
source_centerfreq	0 Hz	Wait
source_cola	Off	Wait
source_mode	Sine	Abort
source_output	Normal	Abort
source_speed	3	Wait
source_span	0 (Use Input Span)	Wait
source_sum	Off	Wait
srcbuffer_init	Empty	Wait
srcbuffer_mode	Periodic_A	Wait
srcbuffer_size	1024	Wait
srcparm_mode	Immediate	Immediate
trigger_channel	Off	Wait

### Option AYF Tachometer Parameters

Parameter	Default Value	Changes
active	Off	Abort
input_high	Normal	Immediate
pre_arm_rpm	600 RPM	Immediate
rpm_high	6000 RPM	Immediate
rpm_interval	25 RPM	Immediate
rpm_low	600 RPM	Immediate
rpm_smoothing	0	Immediate
tach_decimate	0	Immediate
tach_holdoff	10 Microseconds	Immediate
tach_max_time	30 seconds	Immediate
tach_ppr	1	Immediate
trigger_channel	Off	Wait
trigger_level_lower	-0.05 Volts	Immediate
trigger_level_upper	0 Volts	Immediate
trigger_slope	Positive	Immediate

## Channel and Group IDs

Most functions in the HP E1432A C-Language Host Interface Library take an ID parameter which specifies what channel or group of channels the function should apply to. The ID can either be a channel ID or a group ID. If a group ID is used, then the function is applied to each channel contained in the group.

### Channel IDs

Channel IDs are logical IDs which are created by a call to `e1432_assign_channel_numbers`. The `e1432_assign_channel_numbers` function must be called exactly once, following the call to `e1432_init_io_driver`, in order to declare to the library the logical addresses of the HP E1433A modules that will be used.

This function checks the existence of an HP E1433A module at each of the logical addresses given in a list of logical addresses, and allocates logical channel identifiers for each channel in all of the HP E1433As. Input channels, source channels, and tach/trigger channels are kept logically separated. Channel numbers for each type of channel are numbered starting from one, so there will be input channels 1 through M, source channels 1 through N, and tach/trigger channels 1 through P, where M is the number of input channels, N is the number of source channels, and P is the number of tach/trigger channels.

As an example, suppose two logical addresses 100 and 101 are passed to the function, and the logical address 100 has two 4-channel input SCAs and a 2-channel tach/trigger board, while logical address 101 has three 4-channel input SCAs and a 1-channel source board. In this case, input channel IDs 1 through 8 are assigned to the eight input channels at logical address 100, while input channel IDs 9 through 20 are assigned to the twelve input channels at logical address 101. Tach/trigger channel IDs number 1 and 2 are assigned to the two tach/trigger channels at logical address 100, and Source channel ID number 1 is assigned to the source channel at logical address 101.

To use the ID of an input channel, the input channel number is given as an argument to the `E1432_INPUT_CHAN()` macro. (For backwards compatibility with the HP E1431A, the macro does nothing.) To use the ID of a source channel, the source channel number is given as an argument to the `E1432_SOURCE_CHAN()` macro. To use the ID of a tach/trigger channel, the tach/trigger channel number is given as an argument to the `E1432_TACH_CHAN()` macro. A channel ID is always positive.

For example, to set the range of the third input channel to 10 volts, the source code would look something like:

```
status = e1432_set_range(hwid, E1432_INPUT_CHAN(3), 10.0);
```

### Group IDs

Group IDs are logical IDs which are created by a call to `e1432_create_channel_group`. This function can be called multiple times to create multiple groups, and each group can contain any combination of channels, including mixtures of different types of channels. The channel groups can overlap as well.

This function creates and initializes a channel group. A channel group allows you to issue commands to several HP E1433A channels at once, simplifying system setup. The state of an individual HP E1433A channel that is in more than one channel group, is determined by the most recent operation performed on any group to which this channel belongs.

If successful, this function returns the ID of the group that was created, which is then used to reference the channel group in most other functions in this library. A group ID is always negative.

As a side effect, this function makes all input channels in the channel group active, and all source and tach channels in the channel group inactive. Unlike the HP 1431A library, this function does not inactivate other channels within the modules that the channels are in. Also unlike the HP 1431A library, this function does not preset the channels in the new group.

As an example, to create a group consisting of the first three input channels and the eighth and ninth input channels, the code would look something like this:

```
SHORTSIZ16 chan_list[5];
SHORTSIZ16 input_group;
chan_list[0] = E1432_INPUT_CHAN(1);
chan_list[1] = E1432_INPUT_CHAN(2);
chan_list[2] = E1432_INPUT_CHAN(3);
chan_list[3] = E1432_INPUT_CHAN(8);
chan_list[4] = E1432_INPUT_CHAN(9);
input_group = e1432_create_channel_group(hw, 5, chan_list);
```

To create a group consisting of the first two source channels, the code would look something like this:

```
SHORTSIZ16 chan_list[2];
SHORTSIZ16 source_group;
chan_list[0] = E1432_SOURCE_CHAN(1);
chan_list[1] = E1432_SOURCE_CHAN(2);
source_group = e1432_create_channel_group(hw, 2, chan_list);
```



## Multiple-module/Mainframe Measurements

### Grouping of Channels/Modules

The interface library for the HP E1433A is designed to allow programming of several channels from one or several distinct modules, as if they were one entity. Each HP E1433A module has up to 16 channels. The library may control up to a maximum of 255 HP E1433A modules (8160 channels).

When initializing the interface library, all module logical addresses are passed in the call to `e1432_assign_channel_numbers`. This function associates a logical channel ID with each channel. From then on, library functions use these logical IDs rather than the logical address.

The function `e1432_create_channel_group` can be used to declare any number of groups of channels, possibly overlapping. Each group can be uniquely identified by a group ID.

The 'target' of a library function is either a channel, a group, or (rarely) a module, depending on the nature of the call. When the same library function may be called with either a channel or a group identifier, its 'target' is shown by a parameter named ID.

### Multiple-module Measurements

A channel group that spans more than one module will need to be configured to use the TTL trigger lines on the VXI Bus for inter-module communications. This configuration automatically performed in the `e1432_init_measure` call unless defeated using `e1432_set_auto_group_meas`.

The following discussion outlines what `e1432_init_measure` does automatically. This must be done by the user if `e1432_set_auto_group_meas` has been used to defeat auto configuration.

There are eight VXI TTL trigger lines that can be used for multi-module synchronization. Often, these lines are used in pairs, one for sample clock and one for Sync/Trigger. The `e1432_set_ttltrg_lines` function selects which TTL trigger lines to use; this function always uses the TTL trigger lines in pairs. Calling `e1432_set_clock_source` with the group ID will set all modules to the same pair.

All modules need to be set to use the shared sync line rather than the default setting of internal sync. This can be done with the `e1432_set_multi_sync` function, using the group ID.

One module of the set of modules needs to be set to output the sync pulse. The module with the lowest VXI logical address is called the “system module” and assigned this duty. This can be set with the `e1432_set_multi_sync` function call, using the lowest channel ID in the group (NOT the group ID).

All modules except the “system module” need to be set to use the VXI TTL trigger lines as the clock source. Use `e1432_set_clock_source` for this.

Set the “system module” to output the clock. Use `e1432_set_clock_master` for this. After this is done, all system sync pulses come from the “system module” and drive the measurement state machines on all boards in the group.

### **Possible Trigger Line Conflict**

The following describes a scenario where HP E1433A modules might conflict and prevent a proper measurement. The conditions allowing the conflict are complex but must be understood by the user.

After a measurement has completed, the modules are left set up. If a module (call it module ‘A’) is driving the TTL trigger lines and a different group is started which also drives the TTL trigger lines (and that different group does not include module ‘A’), then module ‘A’ will conflict and prevent the other group from functioning. In this case make a call to `e1432_finish_measure` (using the old group ID which includes ‘A’) to turn off module ‘A’ and allow the new group to function.

Note that if the new group includes all modules of the old group, the conflict will not occur since `e1432_init_measure` will reset all modules as needed. Also note that single module groups do not drive the TTL trigger lines, so single module groups are immune from causing or receiving this conflict.

### Managing Multiple-mainframe Measurements

In a single mainframe measurement, the HP E1433A communicates with other HP E1433As through the TTLTRG lines. However, when using the VXI-MXI bus extender modules, the TTLTRG lines, which carry the group synchronization pulse and sample clock, are extended only in one direction. This unidirectional signal connection restricts the types of measurements you can make in a multiple mainframe environment.

You cannot perform the following types of multiple mainframe measurements:

- Unequal pre-trigger delay settings between mainframes
- Channel triggering by channels in Mainframe B
- Lower spans or longer blocksizes in Mainframe B
- Different digital filter settling times between HP E1433A modules

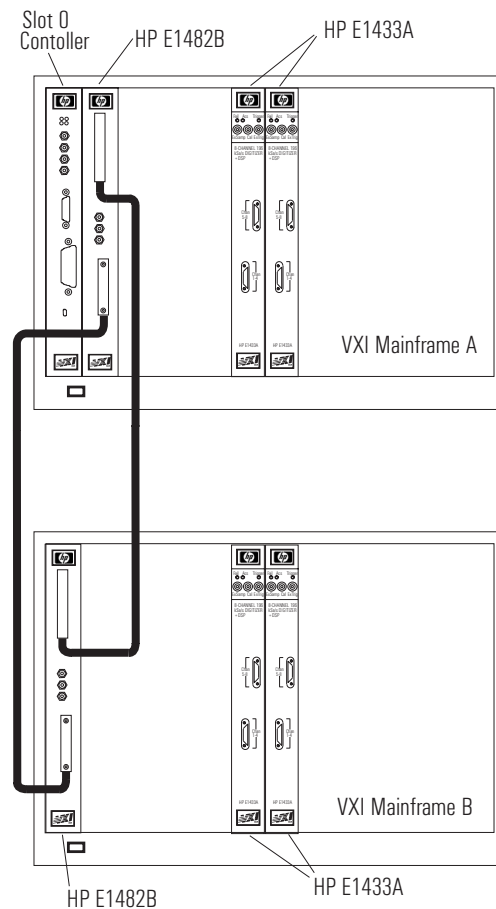


Figure 4-1: Multiple mainframes - two mainframes

In the example above, Mainframe A contains the Slot 0 Controller for a multiple mainframe system. Mainframe A is connected to Mainframe B with a VXI-MXI interface, HP E1482B. To successfully manage this multiple mainframe environment, use the following guidelines.

- Locate modules with logical addresses less than 128 in Mainframe A.
- Locate modules with logical addresses greater than 127 in Mainframe B.
- Locate the highest-numbered channels in Mainframe A.
- Locate the last module in the module list specified in the call to `e1432_assign_channels()` in Mainframe A.
- Locate the module that generates the group synchronization pulse in Mainframe A.
- Locate the channels performing channel triggering in Mainframe A.
- Locate the module with the shared sample clock in Mainframe A.
- If you do not use a `groupID` with the call `e1432_read_data()`, empty the HP E1433As' FIFOs in Mainframe B before Mainframe A. In other words, do not empty the FIFOs in Mainframe A unless you have emptied the FIFOs in Mainframe B. For more information about `groupID` see "Grouping of Channels/Modules."
- If more than two mainframes are needed, daisy-chain them together. Treat each mainframe after the first as a Mainframe B. See the example on the next page.

### **Phase Performance in Multiple Mainframe Measurements**

Phase specifications are degraded by the delay that the inter-mainframe interface gives the sample clock. This delay is insignificant for many low-frequency applications because the phase error is proportional to frequency. A system with two VXI-MXI modules and a 1 meter cable, typically has a 76 nanosecond (ns) sample clock delay in Mainframe B. This corresponds to an additional 0.007 degree phase error at 256 Hz and an additional 0.55 degree phase error at 20 kHz.

A 4-meter cable adds approximately 18 ns of delay for a total of 94 ns clock delay in Mainframe B. This corresponds to an additional 0.0087 degree phase error at 256 Hz and an additional 0.68 degree phase error at 20 kHz.

The cable adds approximately 6 ns per meter of cable.

Each daisy-chained mainframe adds another increment of delay, but only for the additional cabling length.

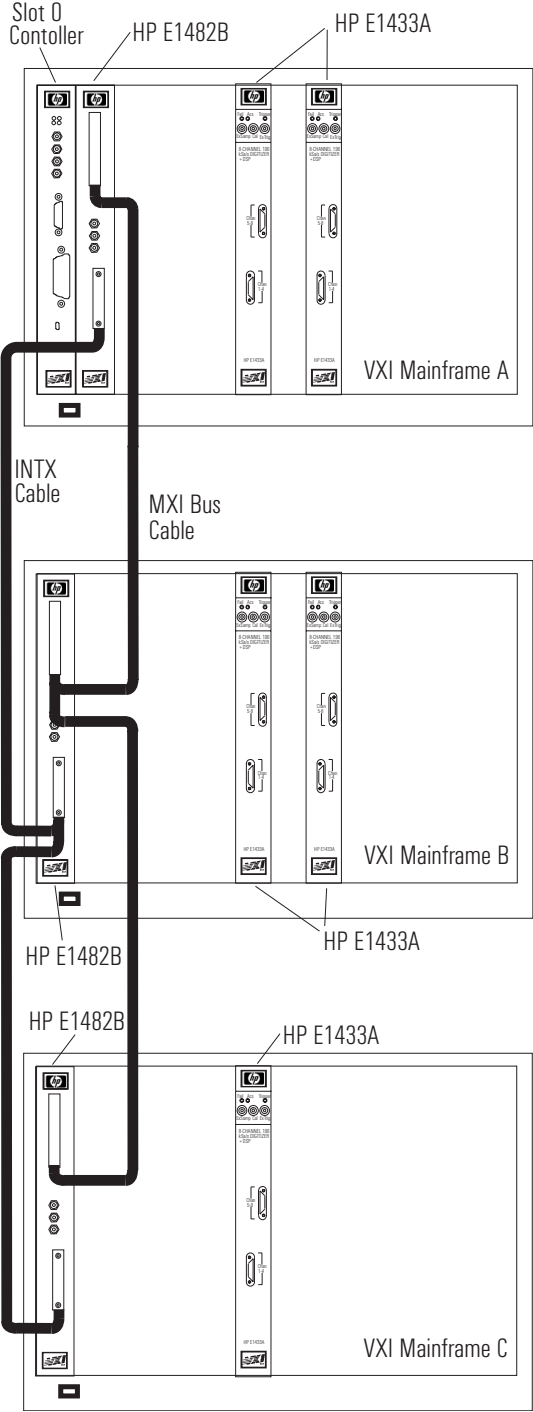


Figure 4-2: Multiple mainframes - three mainframes

### **Synchronization in Multiple-mainframe Measurements**

A TTL Trigger line between HP E1433As making group measurements keeps all modules synchronized. This is an open-collector line where each module holds the one designated as the SYNC line low until the module is ready to advance to the next measurement state. Another TTL Trigger line is designated to carry the sample clock to all modules. This shared sample clock may come from any HP E1433A module in Mainframe A or from an external signal routed through the Slot 0 Commander in Mainframe A.

One module is responsible for pulling the SYNC line low to start each group's state transition. Then, each module holds the line low until it is ready. When all modules are ready, the SYNC line drifts high. The unidirectional line prevents modules in Mainframe B from holding-off modules in Mainframe A.

The lowest logical address must be in Mainframe A because of VXI-MXI and Resource Manager (RM) constraints. Group constraints with the C-Library force modules in Mainframe A to have their FIFOs emptied last. The C-Library reads data in channel order, so the highest channel is read last. To get this to work automatically, the call to `e1432_assign_channels()` must list the logical addresses in descending order.

Channel triggering must be done only by modules in Mainframe A. A trigger in any other mainframe would not be communicated back on the SYNC line to Mainframe A. The C-Library itself selects the HP E1433A with the highest channel number for synchronization.

### **VXI-MXI Module Setup and System Configuration**

To set up your multiple mainframe system, follow the "Hardware Installation Rules" which appear in Chapter 2 of the HP E1482B VXI-MXI Bus Extender User's Manual. This allows the Resource Manager to configure your system.

The VXI-MXI Module setup in Mainframe A needs to be changed from those set by the factory. The VXI-MXI module is not the Slot 0 Controller for Mainframe A. See Table 2-1. Configuration Settings in the HP E1482B VXI-MXI Bus Extender User's Manual. This requires changing several switch settings.

- Set the module as not being the Slot 0 Controller.
- Set the VME timeout to 200  $\mu$ s.
- Set the VME BTO chain position to 1 extender, non-slot0.
- Do not source CLK10.
- Set the proper logical address.

---

## Measurement Process

### Measurement Setup and Control

When the HP E1433A makes a measurement, the measurement itself consists of two phases: the measurement initialization, and the measurement loop. Each of these phases consists of several states, through which the measurement progresses.

The transition from one state to the next is tied to a transition in the Sync/Trigger line (one of the TTL trigger lines on the VXI back plane). A state (such as Idle) begins when the Sync/Trigger line goes low. The Sync/Trigger line then remains low as long as the state is in effect. When the Sync/Trigger line goes high it signals the transition to the next state. See the sections "Measurement Initialization" and "Measurement Loop" below for more details about these transitions. During all the transitions of the Sync/Trigger line, the clock line continues with a constant pulse.

The Sync/Trigger line is "wire-OR'd" such that all modules in a multiple-module system (within one mainframe) must release it for it to go high. Only one HP E1433A is required to pull the Sync/Trigger line low. In a system with only one HP E1432A, the Sync/Trigger line is local to the module and not is routed to a TTL TRIGGER line on the VXI back plane.

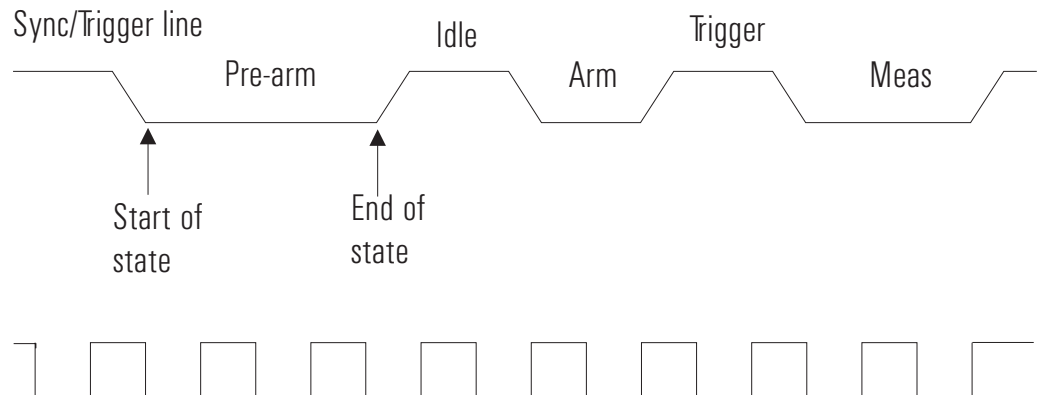


Figure 4-3: Transitions between states

## Parameter Settings

Many parameters are channel-dependent, meaning that each channel can be set independently of the others in the module. Other parameters are module-dependent; changing a module-dependent parameter for a channel will change it for all channels on that module. For example, changing blocksize, a module-dependent parameter, for input channel 3 will also change the block size for all other channels in the same HP E1433A module as channel 3.

When possible, parameters are written to the hardware as soon as they are received. Sometimes, the parameter can't be written to the hardware until the start of a measurement; in this case the value of the parameter is saved in RAM in the HP E1433A module until the measurement is started with `e1432_init_measure`. Some parameters can be changed while a measurement is running, but many do not take effect until the next start of a measurement.

## Measurement initialization

This section describes the measurement initialization process in the HP E1433A.

The measurement initialization states, and the corresponding Sync/Trigger line transitions (with 'H' for high, 'L' for Low) are:

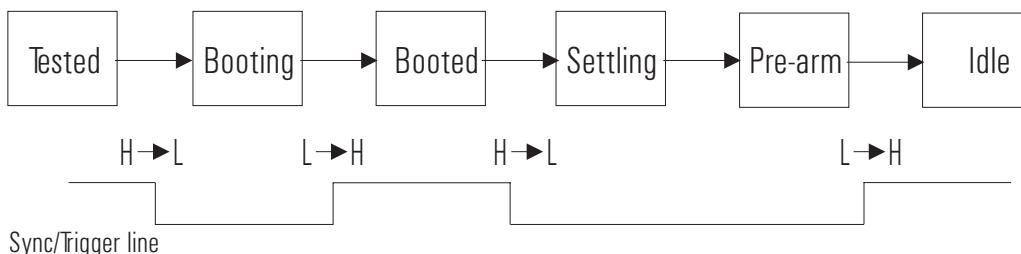


Figure 4-4: Measurement initialization

The module enters the TESTED state after a reset. In this state, all of the module parameters may be set. The HP E1433A stays in the TESTED state until it sees a high-to-low transition of the Sync/Trigger line.



In the BOOTING state, the digital processors of the module load their parameters, and their program. Once done, the module releases the Sync/Trigger line and moves to the BOOTED state. The HP E1433A stays in the BOOTED state until it sees a high-to-low transition of the Sync/Trigger line (that is, all the HP E1433As in the system have booted).

In the SETTLING state, the digital filters are synchronized, and the digital filter output is 'settled' (it waits N samples before outputting any data). Once the module is settled, it advances to the PRE\_ARM state.

In the PRE\_ARM state, the module waits for a pre-arm condition to take place. The default is to auto-arm, so the module would not wait at all in this case. When the pre-arm condition is met, the module releases the Sync/Trigger line and advances to the IDLE state.

This complete measurement sequence initialization, from TESTED through BOOTING, BOOTED, SETTLING, PRE-ARM, and IDLE, can be performed with a call to the function `e1432_init_measure`.

### Measurement Loop

This section describes the measurement loop in the HP E1433A.

The progression of measurement states and the corresponding Sync/Trigger line transitions are:

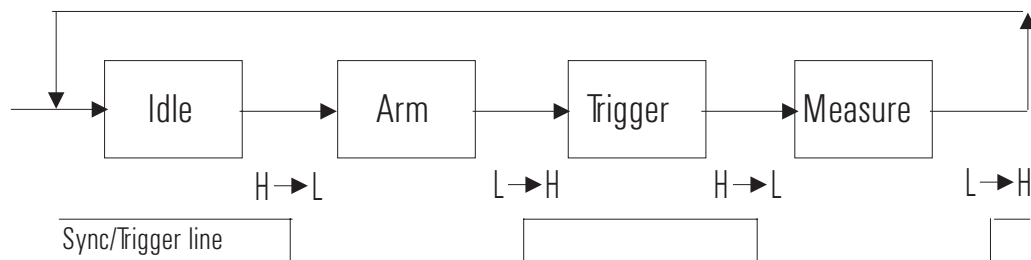


Figure 4-5: Measurement loop

In the IDLE state the HP E1433A writes no data into the FIFO. The HP E1433A remains in the IDLE state until it sees a high-to-low transition of the Sync/Trigger line or an RPM arm/trigger point is calculated. If any of the HP E1433As in the system is programmed for auto arming (with `e1432_set_auto_arm`), the Sync/Trigger line is immediately pulled low by that HP E1433A. The HP E1433A may also be moved to the ARM state by an explicit call to the function `e1432_arm_measure`.

Upon entering the ARM state the HP E1433A starts saving new data in its FIFO. It remains in the ARM state until the Sync/Trigger line goes high. If the HP E1433A is programmed with a pre-trigger delay, it collects enough data samples to satisfy this pre-trigger delay, and then releases the Sync/Trigger line. If no pre-trigger delay has been programmed, it releases the Sync/Trigger line immediately. When all modules in a system have released the Sync/Trigger line (allowing it to go high), a transition to the TRIGGER state occurs.

Upon entering the TRIGGER state the HP E1433A continues to collect data into the FIFO, discarding any data prior to the pre-trigger delay. The HP E1433A remains in the TRIGGER state until it sees a high-to-low transition of the Sync/Trigger line. The Sync/Trigger line is pulled low by any HP E1433A which encounters a trigger condition and is programmed to pull the Sync/Trigger line. If any HP E1433A is programmed for auto triggering (with `e1432_set_auto_trigger`), the Sync/Trigger line is pulled low immediately. The Sync/Trigger line may also be pulled low by an explicit call to the function `e1432_trigger_measure`.

Upon entering the MEASURE state the HP E1433A continues to collect data. The HP E1433A also presents the first data from the FIFO to the selected output port, making it available to the controller to read. The HP E1433A holds the Sync/Trigger line low as long as it is actively collecting data. In overlap block mode the HP E1433A stops taking data as soon as a block of data has been collected, including any programmed pre- or post-trigger delays. (It starts again when another trigger occurs). In continuous mode, the HP E1433A stops taking data only when the FIFO overflows. When data collection stops, the HP E1433A releases the Sync/Trigger line. When all HP E1433As are finished and the Sync/Trigger line goes high, the HP E1433A goes into the IDLE state again.

The measurement initialization and loop may be interrupted at any time with a call to `e1432_reset_measure`, which puts the module in the TESTED state.

### **Register-based VXI Devices**

The HP E1433A is a register-based VXI device. Unlike message-based devices which use higher-level programming using ASCII characters, register-based devices are programmed at a very low level using binary information. The greatest advantage of this is speed. Register-based devices communicate at the level of direct hardware manipulation and this can lead to much greater system throughput.

You will not need to access the registers in order to use the HP E1433A. The HP E1433A's functions can be more easily accessed using the HP E1432A Host Interface Library software. However, if you want more information about the registers see Appendix A: Register Definitions.

## Arm and Trigger

This section explains some terminology relating the the “Arm” and “Trigger” steps in the measurement loop. As an example a measurement might be set up to arm at a certain RPM level and then subsequently trigger at an external event corresponding to top dead center (TDC). The settings would be:

- Arm: RPM Step Arm
- Trigger: External Trigger

If you want to begin a throughput session at this same RPM/TDC event, then the first external trigger after a specified RPM would start a continuous mode measurement. Now (using overlap block mode) the settings would be:

- Pre-Arm: RPM Step Arm
- Arm: Auto
- Trigger: Auto

In the measurement loop, an arm must take place before a trigger. You can program how many triggers to do before waiting for another arm condition. The default is one trigger for each arm. For each trigger, a block of data is sent to the host.

The first arm in a measurement is the pre-arm. By default, the pre-arm condition is the same as the regular arm conditions.

Valid Arm (and Pre-Arm) conditions are:

- Auto Arm
- Manual Arm
- RPM Step Arm

Valid trigger conditions are:

- Auto Trigger
- Input Trigger
- Source Trigger
- External Trigger
- Manual Trigger
- Tachometer Edge Trigger

### **HP E1433A Triggering.**

The following is a short discussion of triggering for the HP E1433A.

Triggering is defined as the transition from the armed state to the triggered state. This transition is caused by a low going edge on a TTL trigger line. Which one of the eight TTL trigger line is chosen by `e1432_get_ttltrg_lines()`.

The low-going transition of the TTL trig line can be caused by any of the following items:

<b>trigger type</b>	<b>enabling function</b>
the AUTO TRIGGER circuitry	<code>e1432_set_auto_trigger()</code>
the <code>e1432_trigger_measure()</code> function	<code>e1432_trigger_measure()</code>
a source trigger	<code>e1432_set_trigger_channel()</code>
a tach trigger	<code>e1432_set_trigger_channel()</code>
an external trigger	<code>e1432_set_trigger_ext()</code>
an input level or bound trigger event	<code>e1432_set_trigger_channel()</code> and <code>e1432_set_trigger_mode()</code>

Each of these trigger sources can be enabled or disabled independently, so quite complex trigger setups are possible. In all cases, however, the first trigger event kicks off the measurement and the following trigger events become superfluous.

Note that for `e1432_set_auto_trigger()` the setting `E1432_MANUAL_ARM` really means “don’t auto trigger” not “expect a manual trigger”.

For single HP E1433A systems, the TTL trigger signal is not connected to the VXI backplane. For multiple HP E1433A systems, the `e1432_init_measure()` function connects the HP E1433A trigger lines to the VXI backplane, and at that point, your selection of which TTL trigger lines through `e1432_get_ttltrg_lines()` is relevant. Multiple mainframe systems will need to account for the unidirectional nature of the inter-mainframe MXI extenders which will prevent all but the “upstream” mainframe from triggering the system.

## **Data Transfer Modes**

The HP E1433A can be programmed to use either of two data transfer modes: overlap block mode and continuous mode. To help explain these modes we will first describe block mode.

### **Block Mode (HP E1431A)**

The HP E1433A's overlap block mode is similar the block mode which is used in other Hewlett-Packard instruments such as the HP E1431A. In block mode, the input hardware acquires one block after getting an arm and trigger. It does not allow the system to trigger until it is ready to process the trigger, and it acquires pre-trigger data if necessary. The hardware does not accept a new arm and trigger until the acquired block is sent to the host. There is no provision for overlap or queuing up more than one block when in block mode. There is also no way for a FIFO overflow to occur.

The HP E1433A's overlap block mode can be configured to act exactly like traditional block mode. It also has additional capabilities as described below.

### **Continuous Mode.**

Both the HP E1433A's and the HP E1431A use continuous mode. In this mode, the input hardware waits for an arm and trigger, and then starts acquiring data continuously. If the host is slow, several blocks can be queued up in the input hardware. If the host gets far enough behind, a FIFO overflow occurs and the input stops acquiring data.

The HP E1433A's overlap block mode can be configured to act similarly to continuous mode, but not identically. The HP E1433A can also use the traditional continuous mode.

### **Overlap Block Mode**

Overlap block mode combines features of both block mode and continuous mode. The main difference between overlap block mode and traditional block mode is that overlap block mode allows additional arms and triggers to occur before an already-acquired block is sent to the host. A trigger can occur before the end of the previous block, so overlapping blocks are possible (hence the name "overlap block mode"). As in continuous mode, there is an overlap parameter which controls how much overlap is allowed between consecutive blocks.

### **Limit on Queuing of Data**

In overlap block mode, a number of trigger events may be queued up before the host reads the data for those triggers. The host may get further and further behind the data acquisition.

However, if the host gets far enough behind that the FIFO fills up, data acquisition must momentarily stop and wait for data to get transferred to the host. This places a limit on how far in time the host can be behind the data acquisition. By setting the size of the FIFO, you can control how far behind the host can get.

### **Making Overlap Block Mode Act Like Traditional Block Mode**

If the FIFO size is set the same as the block size, or if the number of pending triggers is limited to zero, then overlap block mode becomes identical to traditional block mode.

### **Making Overlap Block Act Like Continuous Mode**

If the module is in auto-arm and auto-trigger mode, then overlap block mode becomes nearly the same as continuous mode.

One difference is that traditional continuous mode has a single arm and trigger, while overlap block mode may have multiple arms and triggers. Another is that continuous mode can be configured to start at any type of trigger event, while overlap block mode must be in auto-trigger mode to act like continuous mode. Finally, continuous mode always stops when a FIFO overflow occurs, but overlap block mode does not.

## HP E1433A Interrupt Behavior

### Interrupt Setup

The HP E1433A VXI module can be programmed to interrupt a host computer using the VME interrupt lines. VME provides seven such lines, and the HP E1433A module can be told to use any one of them (see `e1432_set_interrupt_priority`).

The HP 1432A can interrupt the host computer in response to different events. You can specify a mask of events on which to interrupt. This mask is created by OR-ing together the various conditions that the you want. The following table, copied from the `e1432_set_interrupt_mask` manual page, shows the conditions that can cause an interrupt:

### Interrupt Mask Bit Definitions

Define (in <code>e1432.h</code> )	Description
<code>E1432_IRQ_MEAS_WARNING</code>	Non-fatal measurement warning
<code>E1432_IRQ_BLOCK_READY</code>	Block of data ready in FIFO
<code>E1432_IRQ_MEAS_STATE_CHANGE</code>	Measurement state machine changed state
<code>E1432_IRQ_TRIGGER</code>	Trigger ready for transfer to other modules
<code>E1432_IRQ_OVERLOAD_CHANGE</code>	Overload status changed
<code>E1432_IRQ_MEAS_ERROR</code>	FIFO overflow
<code>E1432_IRQ_TACHS_AVAIL</code>	Raw tach-times available
<code>E1432_IRQ_SRC_STATUS</code>	Source status change

### **HP E1433A Interrupt Handling**

To make the HP E1433A module do the interrupt, both a mask and a VME Interrupt line must be specified, by calling `e1432_set_interrupt_mask` and `e1432_set_interrupt_priority` respectively. Once the mask and line have been set, and an interrupt occurs, the cause of the interrupt can be obtained by reading the `E1432_IRQ_STATUS_REG` register (using `e1432_read_register`). The bit positions of the interrupt mask and status registers match so the defines can be used to set and check IRQ bits.

Once it has done this interrupt, the module will not do any more VME interrupts until re-enabled with `e1432_reenable_interrupt`. Normally, the last thing a host computer's interrupt handler should do is call `e1432_reenable_interrupt`.

Events that would have caused an interrupt, but which are blocked because `e1432_reenable_interrupt` has not yet been called, will be saved. After `e1432_reenable_interrupt` is called, these saved events will cause an interrupt, so that there is no way for the host to "miss" an interrupt. However, the module will only do one VME interrupt for all of the saved events, so that the host computer will not get flooded with too many interrupts.

For things like "E1432\_IRQ\_BLOCK\_READY", which are not events but are actually states, the module will do an interrupt after `e1432_reenable_interrupt` only if the state is still present. This allows the host computer's interrupt handler to potentially read multiple scans from an HP E1433A module, and not get flooded with block ready interrupts after the fact.

### **Host Interrupt Setup**

The HP E1432A Host Interface library normally uses the SICL I/O library to communicate with the HP 1432A hardware. To receive VME interrupts, a variety of SICL setup calls must be made. The "examples" directory of the HP E1433A distribution contains an example of setting up SICL to receive interrupts from an HP E1433A module.

This is a summary of how to set up SICL to receive an HP E1433A interrupt:

- Query SICL for which VME interrupt lines are available, using `ivxibusstatus` and `ivxirminfo`.
- Tell the HP E1433A module to use the VME interrupt line found in step one, using `e1432_set_interrupt_priority`.
- Set up an interrupt handler routine, using `ionintr` and `isetintr`. The interrupt handler routine will get called when the interrupt occurs.
- Set up interrupt mask in the HP E1433A module, using `e1432_set_interrupt_mask`.



### Host Interrupt Handling

When the HP E1433A asserts the VME interrupt line, SICL will cause the specified interrupt handler to get called. Typically the interrupt handler routine will read data from the module, and then re-enable HP E1433A interrupts with `e1432_reenable_interrupt`. The call to `e1432_reenable_interrupt` must be done unless the host is not interested in any more interrupts.

Inside the interrupt handler, almost any HP E1432A Host Interface library function can be called. This works because the Host Interface library disables interrupts around critical sections of code, ensuring that communication with the HP E1433A module stays consistent. Things that are not valid in the handler are:

- ❑ Calling `e1432_delete_channel_group` to delete a group that is simultaneously being used by non-interrupt-handler code.
- ❑ Calling one of the read data functions (`e1432_read_raw_data`, `e1432_read_float32_data`, or `e1432_read_float64_data`), if the non-interrupt-handler code is also calling one of these functions.
- ❑ Calling `e1432_assign_channel_numbers` to reset the list of channels that are available to the HP E1432A library.

As is always the case with interrupt handlers, it is easy to introduce bugs into your program, and generally hard to track down these bugs. Be careful when writing this function.

### Data Gating

Sometimes you may wish to monitor data from some input channels and not others. The function `e1432_set_enable` enables or disables data from an input channel (or group of channels). If data is enabled, then the data can be read using `e1432_block_available` and `e1432_read_xxx_data`. If data is disabled, data from the specified channel is not made available to the host computer.

This parameter can be changed while a measurement is running, to allow the host computer to look at only some of the data being collected by the HP E1433A module. While data from a channel is disabled the input module continues to collect data but it is not made available to the host computer. The host can then switch from looking at some channels to looking at others during the measurement. In contrast, the function `e1432_set_active` completely enables or disables a channel and can't be changed while a measurement is running.

For order tracking measurements this function can be used to switch between receiving order tracking data, ordinary time data, or both.

### **HP E1433A Parameters**

Some parameters, such as range or coupling, apply to specific channels. When a channel ID is given to a function that sets a channel-specific parameter, only that channel is set to the new value.

Some parameters, such as clock frequency or data transfer mode, apply globally to a module. When a channel ID is used to change a parameter that applies to a whole module, the channel ID is used to determine which module. The parameter is then changed for that module.

Starting and stopping a measurement is somewhat like setting a global parameter. Starting a measurement starts each active channel in each module that has a channel in the group.

After firmware is installed, and after a call to `e1432_preset`, all of the parameters (both channel-specific and global) in an HP E1432A module are set to their default values. For channel-specific parameters, the default value may depend on the type of channel. Some channel-specific parameters apply only to a specific type of channel. For example, tach holdoff applies only to tach channels. Setting such a parameter for a channel that doesn't make sense will result in an error.

At the start of a measurement, the HP E1433A firmware sets up all hardware parameters, and ensures that the input hardware is settled before starting to take data. The firmware also ensures that any digital filters have time to settle. This ensures that all data read from the module will be valid.

However, after a measurement starts, HP E1433A parameters can still be changed. The effect of this change varies, depending on the parameter. For some parameters, changing the value aborts the measurement immediately. For other parameters, the measurement is not aborted, but the changed parameter value is saved and not used until a new measurement is started. For still other parameters, the parameter change takes place immediately, and the data coming from the module may contain glitches or other effects from changing the parameter.

There is no way to tell the module to wait for settling when changing a parameter in the middle of a measurement. The only way to wait for settling is to stop and re-start the measurement. Also, there is no way to disable the settling that takes place at the start of a measurement.

### **For More Information**

Refer to the (on-line) HP E1432A Function Reference for a list of all functions and the parameters needed for each function. (See "Where to get more information" in the chapter titled "Using the HP E1433A)."

---

# 5

---

## Module Description

## Module Features

The HP E1433A 8-Channel 196 kSa/sec Digitizer plus DSP is a VXI C-sized, scaleable input module. The HP E1433A may contain one or two 4-channel input assemblies so that the module may have a total of up to 8 inputs.

The following is a list of some of the features of the HP E1433A. See "Specifications" for more detailed information.

The standard HP E1433A is described in this chapter. The Arbitrary Source and Tachometer options are described in other chapters.

### General Features

- Fundamental sample rate selectable within the range of 32768 Hz to 196,608 Hz.
- Digital sample rate decimation in a 1, 2, 5 sequence.
- Variable Block Size (binary)
- Optional Large Data Buffer (2 Msamples, expandable to 16 Msamples)
- Data from FIFO available with overlap
- VXI Shared Memory
- Flexible triggering, including pre- and post-triggering
- AC/DC coupling
- ICP power supplies, with the optional ICP 8-Channel Input (breakout box)
- Overload detection
- Synchronous sampling over multiple channels and HP E1433A modules
- Large FIFO for long pre-trigger delays
- D32 VME Bus data transfer
- VXI Local Bus data transfer (with Local Bus option)

### Arbitrary Source Features (option 1D4)

- Sine output
- Random noise output
- Arbitrary output

### Tachometer Features (option AYP)

- Current RPM value measurements
- Up/Down RPM triggered measurements

### Other Options

- Local Bus, option UGV
- 32 MB total RAM, option ANC (standard is 4 MB)

**Block Diagram**

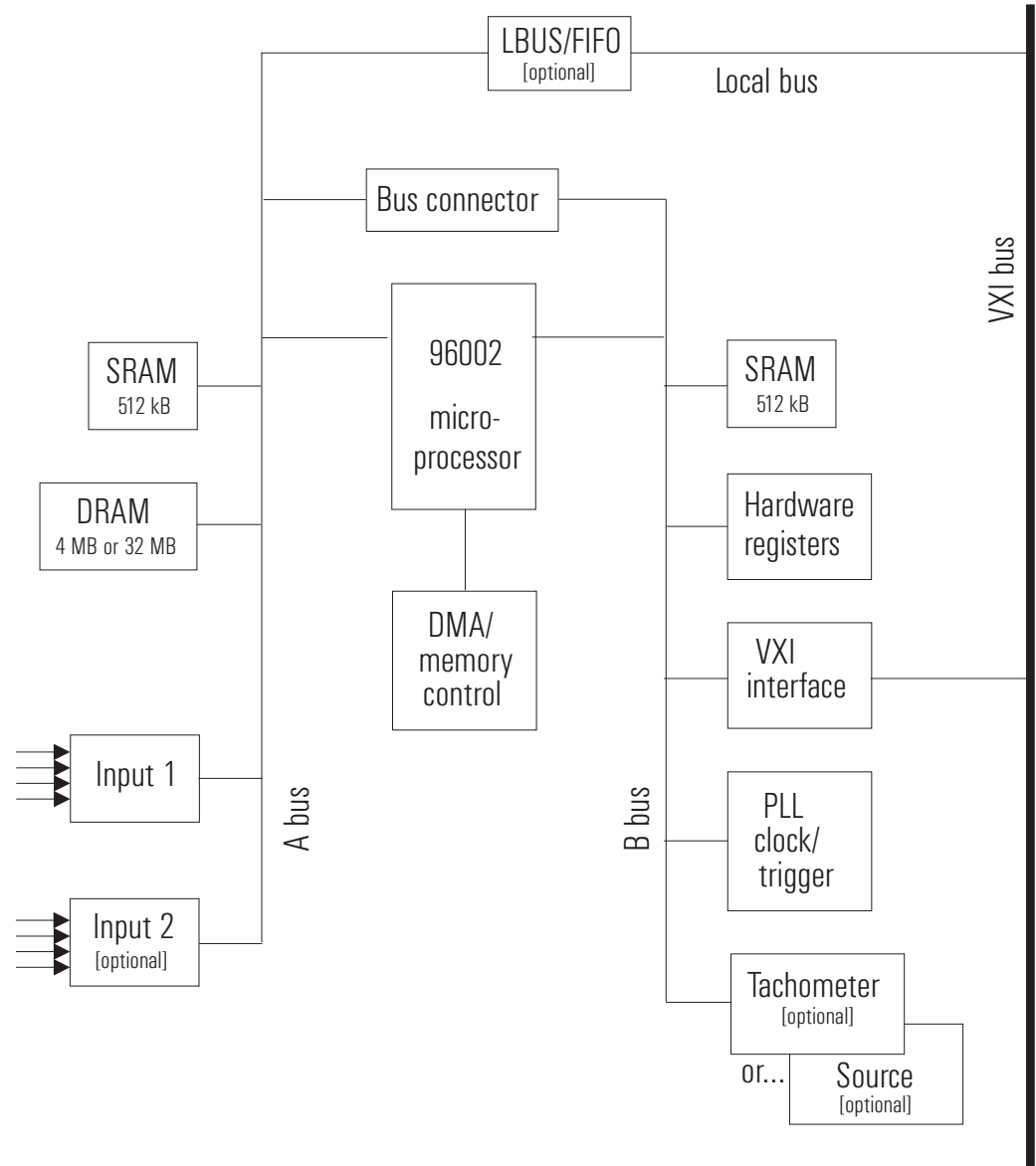


Figure 5-6: HP E1433A block diagram

For block diagrams of the Arbitrary Source and the Tachometer, see the chapters on the Arbitrary Source option and the Tachometer option.

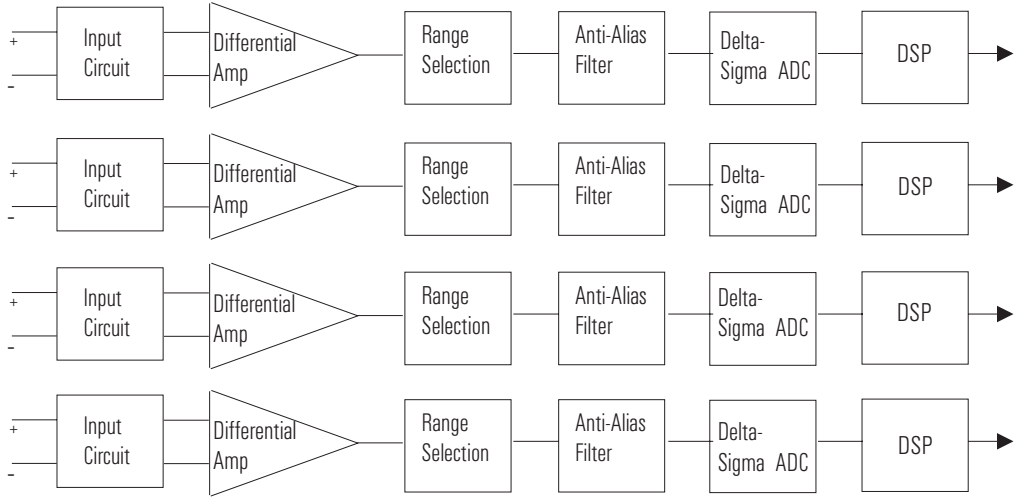


Figure 5-7: Input section diagram

---

## HP E1433A Front Panel Description

### Front panels for four or eight channels

The HP E1433A may have any of several front panels depending on options and number of input channels. The following illustration shows front panels for 4 or 8 channels.

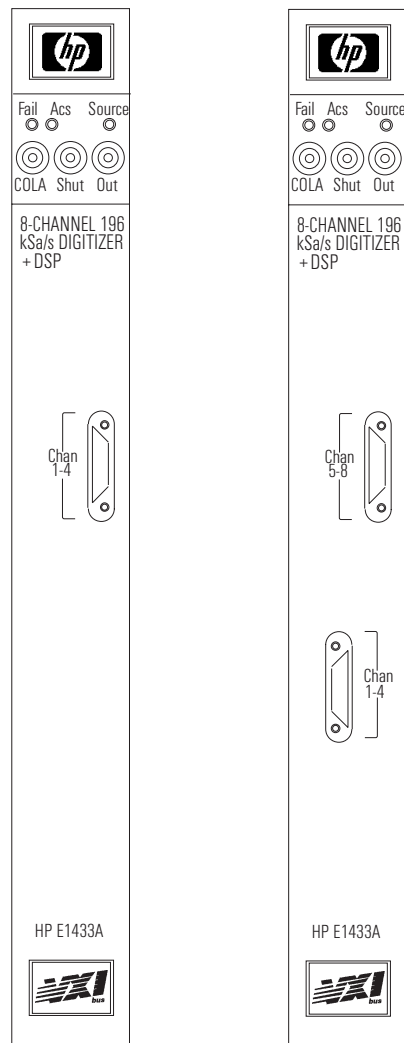


Figure 5-8: Front panels for 4 or 8 channels

### Standard Front Panel

This is the front panel for a standard HP E1433A (this example has eight inputs). The LED's and connectors are described on the next page.

If your HP E1433A has an Arbitrary Source (Option 1D4) or a Tachometer (Option AYF) its front panel will be different. See the chapter on the Arbitrary Source or the chapter on the Tachometer for a description of its front panel.

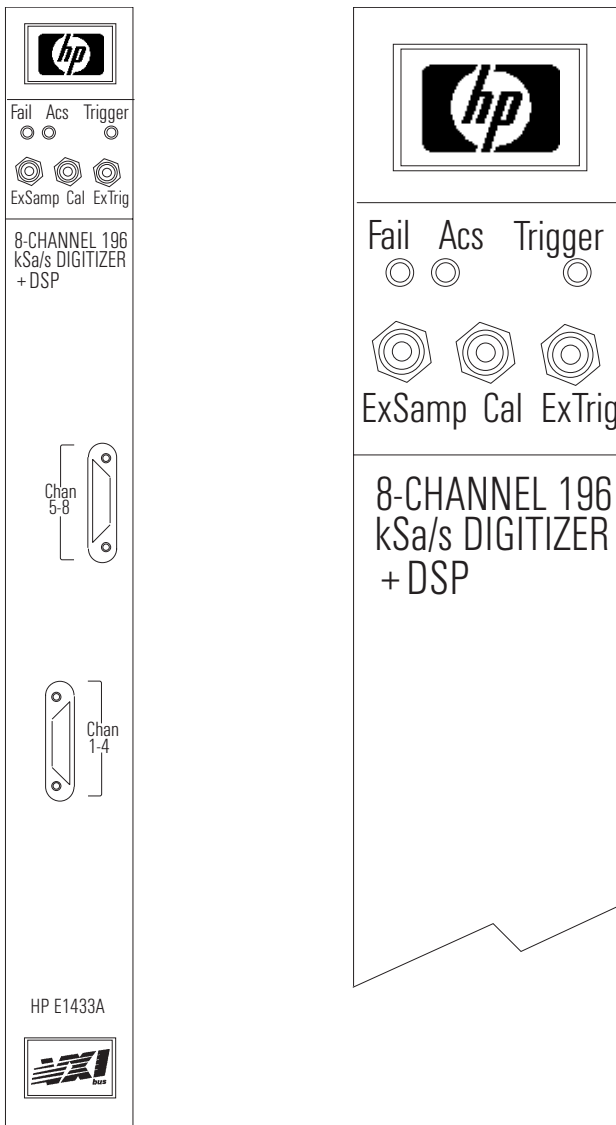


Figure 5-9: HP E1433A standard front panel



### Status LEDs

- ❑ Fail: This is the standard VXI “Failed” indicator. It lights briefly when powering up and normally goes out after a few seconds. If it stays on it indicates a hardware failure in the module.
- ❑ Acs: This is the standard VXI “Access” indicator. When it is on, it indicates that another device on the bus is contacting the module, for example to transfer data or read registers.
- ❑ Trigger: This LED flashes on each time the measurement triggers, so when it is blinking it indicates that the measurement is triggering.

If your HP E1433A has the Tachometer option, this LED is defined differently. See the chapter: The Tachometer Option (AYF).

### SMB Connectors

- ❑ ExSamp: This is an input connector for an external sample clock. The sample clock must be TTL level and have a frequency between 40.96 kHz and 100 kHz. Internally this frequency can be decimated.
- ❑ Cal: This connector is used for calibration. It can be configured to output a calibration signal or to accept an input calibration signal. See the calibration section in this chapter.
- ❑ ExTrig: This allows for an external trigger input to the HP E1433A. The input signal must be TTL, other characteristics can be defined in software. ExTrig can be enabled or disabled in software.

### Input Connectors (1 or 2)

These connectors are attached to the cables from an 8-Channel Input (breakout box). They connect the input signal to the HP E1433A. Each connector carries four channels. Depending on options, there can be 1 or 2 input connectors (4 - 8 channels).

## VXI Backplane Connections

### **Power Supplies and Ground**

The HP E1433A conforms to the VME and VXI specifications for pin assignment. The current drawn from each supply is given in the specifications chapter.

### **Data Transfer Bus**

The HP E1433A conforms to the VME and VXI specifications for pin assignment and protocol. A16, A24, D16, and D32 data transfers are supported.

### **DTB Arbitration Bus**

The HP E1433A module is not capable of requesting bus control. Thus it does not use the Arbitration bus. To conform to the VME and VXI specifications, it passes the bus lines through.

### **Priority Interrupt Bus**

The HP E1433A generates interrupts by applying a programmable mask to its status bits. The priority of the interrupt is determined by the interrupt priority setting in the control register.

### **Utility Bus**

The VME specification provides a set of lines collectively called the utility bus. Of these lines, the HP E1433A only uses the SYSRESET\* line.

Pulling the SYSRESET\* line low (a hardware reset) has the same effect as setting the reset bit in the Control Register (a software reset), except that pulling the SYSRESET\* line low also resets the Control Register itself, while a software reset does not .

### **The Local Bus (Option UGV)**

The VXI specification includes a 12-wire Local Bus between adjacent module slots. Using the Local Bus, Hewlett-Packard has defined a standard byte-wide ECL protocol which can transfer data from left to right at up to 15.7 Mbytes/sec using HP E1433A. If equipped with option UGV, the HP E1433A can be programmed to output its data using this high speed port instead of the VME data output register. The Data Port Control register determines which output port is used.

### **Local Bus vs VME Transfers**

With this option, you can transfer data from the HP E1433A two different ways; via the VME Bus or via the Local Bus.

The VME Bus is the universal data bus for VXI architecture. It provides flexibility and versatility in transferring data. Transfers over the VME Bus can be 16 or 32 bits wide.

The Local Bus supports faster transfer rates than the VME Bus. For example, if you are transferring data from the HP E1433A to the HP E1562A/B Throughput Disk Module, the Local Bus provides a direct pipeline to the HP E1562A/B.

Using the Local Bus, you can transfer data in the background while processing data in a signal- processing module.

All Local Bus data-transfers originate in an input module and move towards a signal processing or disk throughput module to the right of the input module. If other modules generate data to the left of the input module, the input module will pass the data to its right and append its own data to the data blocks from previous modules.

## The HP E1433A VXI Device

### Address Space

The VXI system architecture defines two types of address space. A16 space consists of 64 KBytes and A24 consists of 16 MBytes.

The HP E1433A has a 32-bit port through which it has access to the A16 and A24 space. It can also use D32 to send and receive data through the port. Or it can use the port for 16-bit data transfers by using only 16 of the 32 bits available. The HP E1433A performs a different type of VME cycle depending on the number of bits transferred per cycle (two cycles for 16-bit transfers and one cycle for 32-bit).

### Shared Memory

Shared memory provides a way for the HP E1433A to transfer data to a controller. The shared memory in the HP E1433A is mapped to the A24 VXI address space. The controller can then access that same address space to receive or write data. You can call a function to get the data. See the chapter on "The Host Interface Library."

### Memory Map

The following discussion of memory mapping is included for your information. You do not need it to operate the HP E1433A because this functionality is hidden when using the HP E1432A Host Interface Library software.

Refer to the HP E1433A block diagram (figure 5-1). The VXI interface maps some of the HP E1433A's B-bus internal memory space so that it is visible to the VXI Bus. The port connecting the A and B busses also allows the VXI Bus access to the SRAM, DRAM, and inputs which are on the A bus. (SRAM stands for Static RAM; DRAM is Dynamic RAM.)

The VXI interface has two "windows" on the B bus memory space. Each is 512 K-bytes, which is 128 32-bit words. One of the windows is fixed and the other is movable. The movable window allows the VXI Bus access to many different parts of the memory space. The fixed window contains:

- The A16 registers
- The B-bus SRAM
- The hardware registers
- The FIFO (which is in DRAM)

The mapping of the fixed and movable windows is illustrated as follows:

Address		
FFFF <sub>16</sub> 8000 0 <sub>16</sub>	Movable DSP Bus Window,	Movable
7FFF <sub>16</sub> 3000 0 <sub>16</sub>	Fixed DSP Bus Window	Fixed
2FFF <sub>16</sub> 2000 0 <sub>16</sub>	Send/Receive Data Registers	
1FFF <sub>16</sub> 0004 F <sub>16</sub>	Fixed DSP Bus Window	
0003 F <sub>16</sub> 0000 0 <sub>16</sub>	VXI Bus A16 Registers,	

For more information, see “The A24 Registers” in the chapter titled Register Definitions.

### List of A16 Registers

The following lists the A16 registers. For more information see “The A16 Registers” in the chapter titled Register Definitions.

Address	Read	Write
3E <sub>16</sub>	Parameter 7 Register	
3C <sub>16</sub>		
3A <sub>16</sub>	Parameter 6 Register	
38 <sub>16</sub>		
36 <sub>16</sub>	Parameter 5 Register	
34 <sub>16</sub>		
32 <sub>16</sub>	Parameter 4 Register	
30 <sub>16</sub>		
2E <sub>16</sub>	Parameter 3 Register	
2C <sub>16</sub>		
2A <sub>16</sub>	Parameter 2 Register	
28 <sub>16</sub>		
26 <sub>16</sub>	Parameter 1 Register	
24 <sub>16</sub>		
22 <sub>16</sub>	Query Response Register	Command Register
20 <sub>16</sub>		
1E <sub>16</sub>	FIFO Count	
1C <sub>16</sub>		
1A <sub>16</sub>	Send Data	Receive Data
18 <sub>16</sub>		
16 <sub>16</sub>	RAM 1	
14 <sub>16</sub>		
12 <sub>16</sub>	RAM 0	
10 <sub>16</sub>		
0E <sub>16</sub>	IRQ Status Register	IRQ Reset Register
0C <sub>16</sub>	IRQ Config Register	
0A <sub>16</sub>	Page Map Register	
08 <sub>16</sub>	Port Control Register	
06 <sub>16</sub>	Offset Register	
04 <sub>16</sub>	Status Register	Control Register
02 <sub>16</sub>	Device Type	
00 <sub>16</sub>	ID Register	Logical Address Register

### Trigger Lines (TTLTRG)

TTLTRG consist of eight TTL lines on the VXI backplane on connector P2. They are available to provide synchronization between devices. VXI devices can use the TTLTRG lines for simple communication with other devices. For example, a device can wait for a line to go high before taking an action, or it can assert a line as a signal to another device.

The HP E1433A uses two trigger lines. These can be placed on any two of the eight TTLTRG lines available on the VXI backplane. The lines are:

- ❑ Sync/Trigger line
- ❑ Free-running clock line

When programmed in a multiple-module configuration, only one of the HP E1433A modules can provide the clock signal but any of them can trigger.

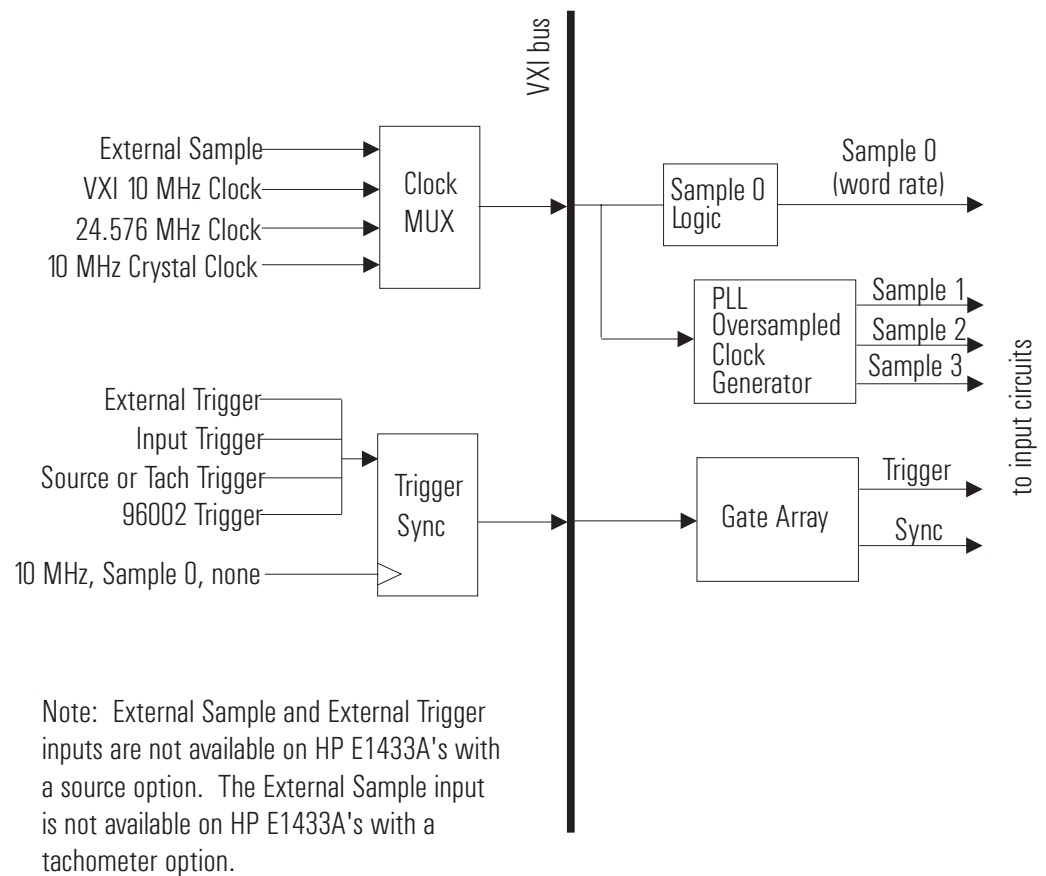


Figure 5-10: Clock/sync diagram

### **Providing an External Clock**

You can program the HP E1433A to accept an external word rate clock from the Sample 0 line on the VXI Bus. The digital filters are still functional, providing a range of effective word rates. All sampling is done simultaneously and is not multiplexed.

To connect an External Sample Clock, use the External Sample SMB connector on front panel of the HP E1433A. External Sample at word rate and External Trigger are available on the front panel of HP E1433A's which do not have an arbitrary source or tachometer option.

The external clock must be a fixed frequency. Its maximum frequency must not be higher than 100 kHz. Its minimum frequency must be at least 40.96 kHz.



## Calibration Description

The Cal connector on the front panel of the standard HP E1433A can be configured (in software) as either an input or an output. It can be set to any of four settings:

- ❑ DC - The HP E1433A outputs a DC calibration signal from the millivolt range up to 15 volts.
- ❑ AC - The HP E1433A outputs a signal from an Arbitrary Source option (in the same module or a different HP E1433A module in the system.)
- ❑ Ground - The connector is shunted to ground for a zero-volt reference.
- ❑ Open Circuit - In this mode the connector becomes an input which can receive a calibration signal up to +/-15 volts.

The HP E1433A is calibrated at the factory and the calibration placed in EPROM memory for use at each power-up. In addition an auto-zero function is provided.

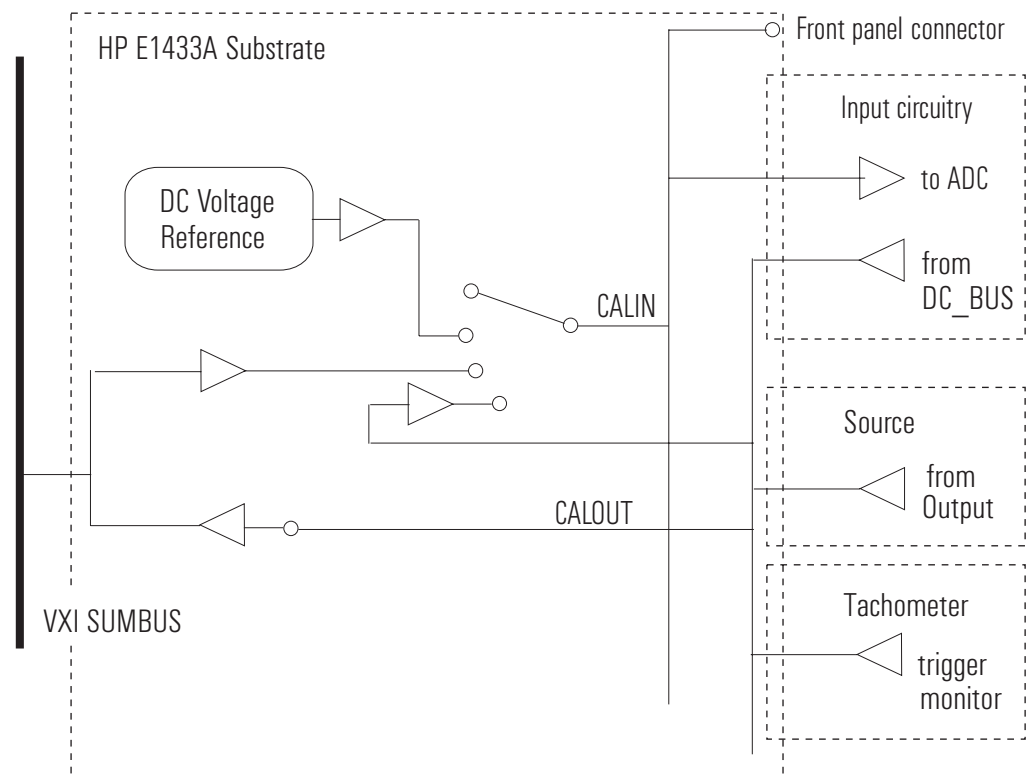


Figure 5-11: Calibration block diagram



---

# 6

---

## The Arbitrary Source Option (1D4)

## Arbitrary Source Description

An arbitrary source can be included with the HP E1433A 8-Channel 196 kSa/sec Digitizer plus DSP as Option 1D4. (It cannot be installed with a Tachometer, Option AYP.) The Arbitrary Source Option can supply arbitrary or sine signals under control of measurement software.

### **Trigger**

The Arbitrary Source can be used to trigger the measurement and to trigger other modules in the measurement system.

### **Arbitrary Output**

The Arbitrary Source can be programmed to output any signal that is described by data downloaded by the software.

### **Source Output Modes**

The Arbitrary Source has several output modes including the following:

- arbitrary
- sine
- noise
- random
- burst

### **COLA (and Summer)**

The COLA (Constant Output Level Amplifier) output supplies a signal similar to the Source "Out" output except that it is at a constant output level of about one volt peak.

The same connector (labeled "COLA") can also be programmed as a summer input. A signal connected to this input is summed with the internal source output to create the final output.

### **External Shutdown**

Shorting the center pin of the shutdown connector to its shield causes the source to ramp down and shut off.

### Block Diagram

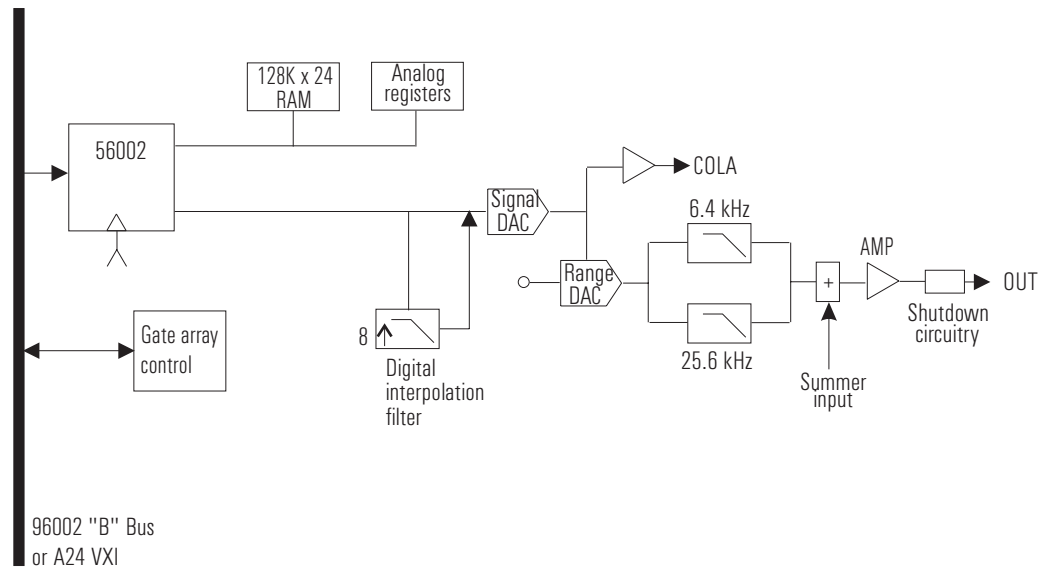


Figure 6-12: Arbitrary source option block diagram

## The Arbitrary Source Option Front Panel

The HP E1433A with the Arbitrary Source Option may have 4 or 8 input channels. The following illustration shows a front panel for 8 channels. The LED's and connectors are described on the next page.

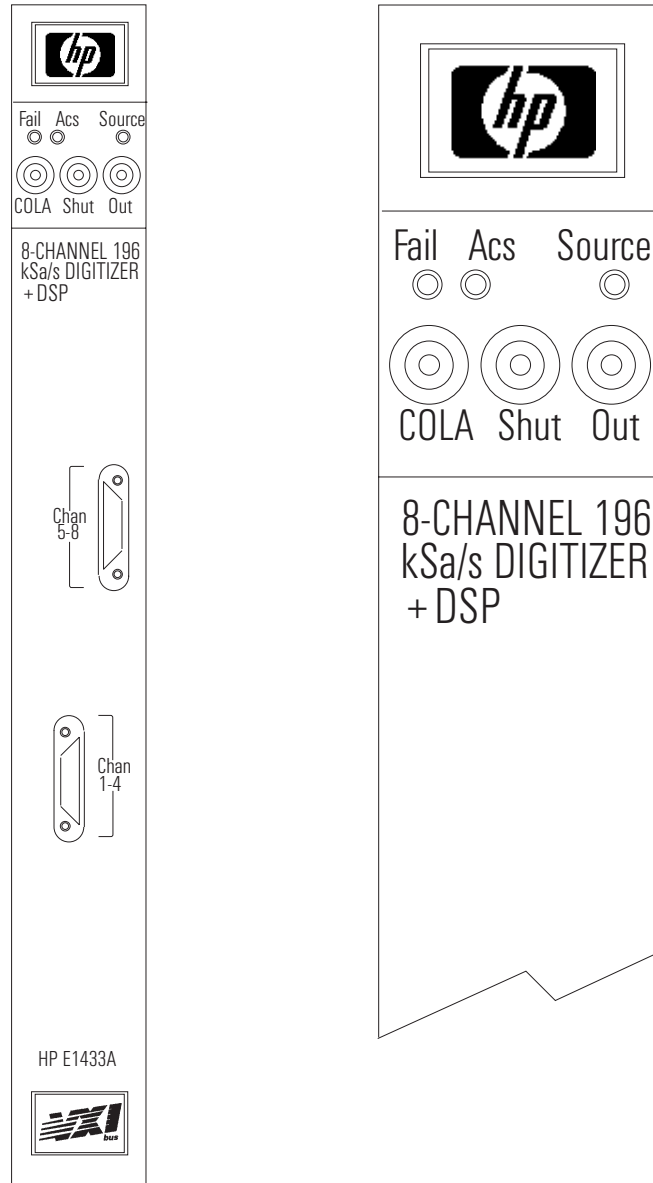


Figure 6-13: HP E1433A with source option - front panel

## LED's and Connectors for the Arbitrary Source Option

### Status LEDs

- ❑ Fail: This is the standard VXI "Failed" indicator. It lights briefly when powering up and normally goes out after a few seconds. If it stays on it indicates a hardware failure in the module.
- ❑ Acs: This is the standard VXI "Access" indicator. When it is on, it indicates that another device on the bus is contacting the module, for example to transfer data or read registers.
- ❑ Source: If this LED is lighted it indicates that the source is on and producing output.

### SMB Connectors

- ❑ COLA: This is the output connector for the COLA (Constant Output Level Amplifier) output.

This connector can also be configured as a Summer input. A signal connected to this input is summed with the internal source output to create the final output.

- ❑ Shut (Shutdown): Shorting the center pin of this connector to its shield causes the source to ramp down and shut off.
- ❑ Out: This is the main output of the Arbitrary Source.

The Out connector can also be configured to output a calibration signal. This is not quite the same as the calibration signal described in chapter 5 because it comes directly from the internal source without going through the other circuitry of the calibration section.

### Input Connectors (1 or 2)

These connectors are attached to the cables from an 8-Channel Input (breakout box.) There are two input connectors for each 8-Channel Input. They connect the input signal to the HP E1433A. Each connector carries four channels. Depending on options, there can be 1 or 2 input connectors (4 or 8 channels).

### Updating the arbitrary source firmware

When updated firmware for the arbitrary source is available, you can update the ROM in your module by using the procedure documented in `/usr/e1432/arbsrc/README`.





---

## The Tachometer Option (AYF)

## Tachometer Description

A tachometer input can be included with the HP E1433A 8-Channel 196 kSa/sec Digitizer plus DSP as Option AYP. (It cannot be installed with a Source, Option 1D4.) The Tachometer Option is a two channel tachometer input used to capture the contents of a freerun counter whenever an external input crosses a programmable threshold.

### Tachometer Inputs

The tachometer has two inputs which connect to analog conditioning, holdoff, and FIFO circuitry. See the block diagram in this chapter. The inputs can be configured so that one input connector (Tach 2) becomes an external trigger input and the other (Tach 1) remains a tachometer input. (The Tach 1 connector cannot be a trigger input.) The switch that determines this configuration is controlled by software.

### External Trigger Input

An HP E1433A without a tachometer option can accept a TTL external trigger signal (see "Trigger Lines" in the chapter titled "Module Description"). With the tachometer option the HP E1433A still has that capability and is also able to accept an analog external trigger signal at the Tach 2 input.

### Trigger Level

The trigger level of the tachometer can be set by software.

### Tachometer Monitoring

The tachometer is capable of sending its analog input signal onto the HP E1433A module's internal calibration line. The calibration line can be connected to the 196 kHz 4-channel input assembly, so that the signal on the tachometer's connector can be monitored via an input channel. This can be useful when deciding where to set the trigger level of the tachometer. An example program is supplied with the HP E1433A Host Interface library, which shows how to perform this tachometer monitoring.

### Exact RPM Triggering

The tachometer can be used to create exact RPM triggering, controlled by software. The RPM of the tach channel is calculated from tach transition times. Then the sample numbers in the data FIFO are determined for exact RPM triggering.

### Input Count Division

The tachometer can be programmed to divide the input signal. For example if a signal is coming in at 100 counts per second, the tachometer can be set to look at only every 10th count for a result of 10 counts per second.

### Holdoff Time

The tachometer can be programmed to wait for a specified period of time between counts that it will detect. After a count is detected, subsequent counts will be ignored until the holdoff time has passed.

### Block Diagram

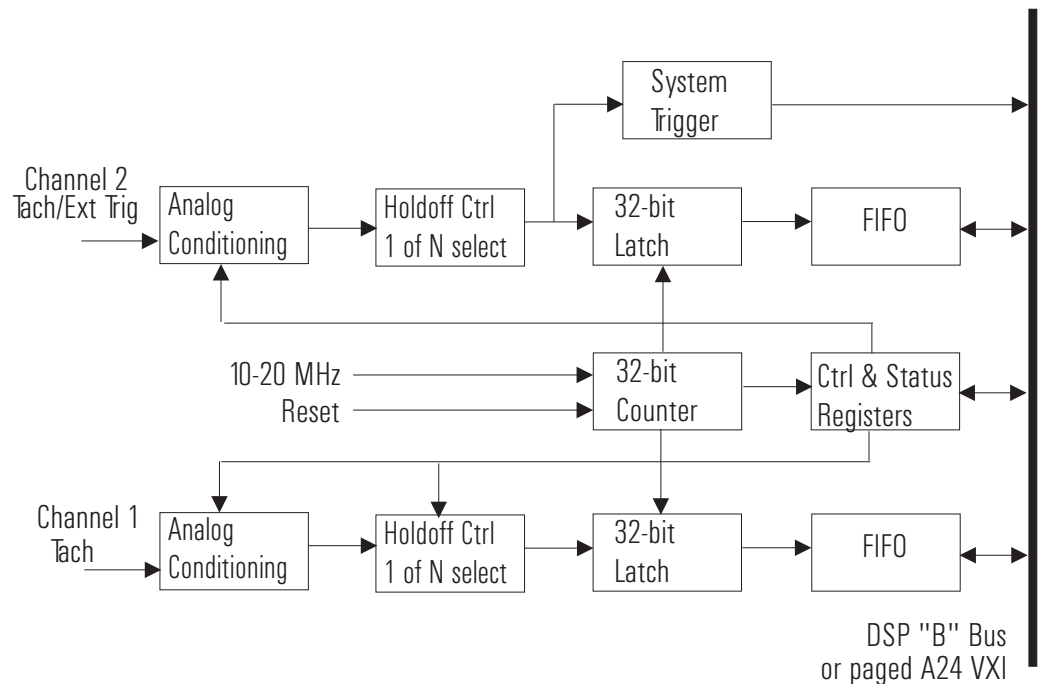


Figure 7-14: Tachometer option block diagram

---

## The Tachometer Option Front Panel

The HP E1433A with the Tachometer Option may have 4 or 8 input channels. The following illustration shows a front panel for 8 channels. The LED's and connectors are described on the next page.

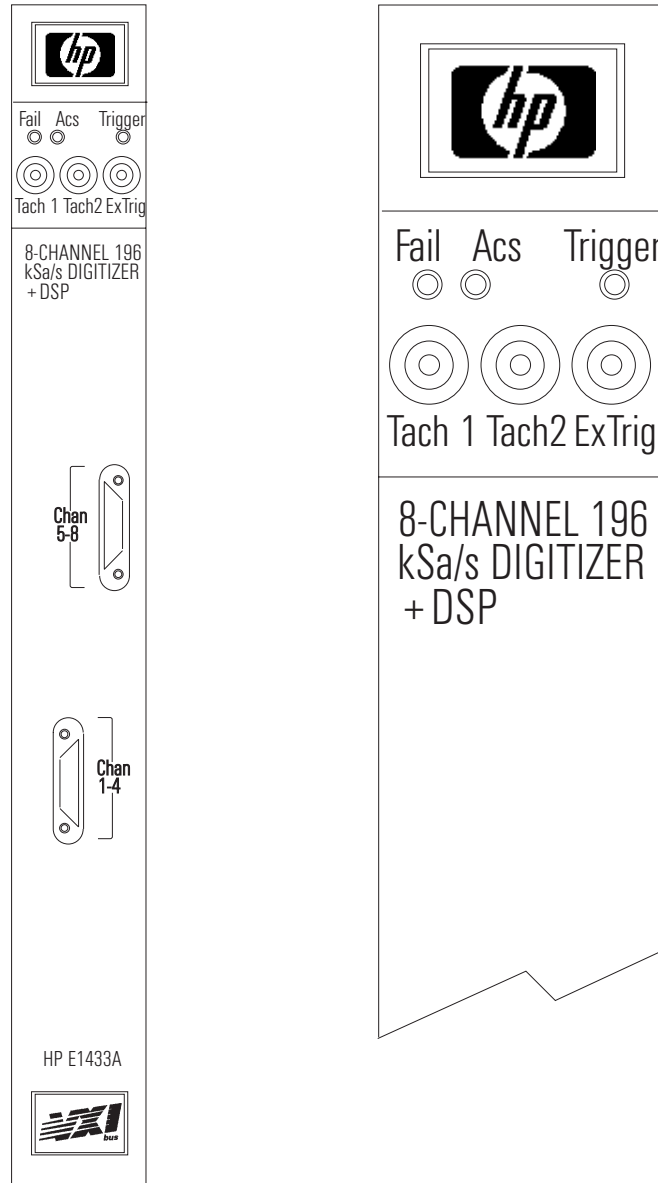


Figure 7-15: HP E1433A with tachometer - front panel

## **LED's and Connectors for the Tachometer Option.**

### **Status LEDs**

- ❑ **Fail:** This is the standard VXI “Failed” indicator. It lights briefly when powering up and normally goes out after a few seconds. If it stays on it indicates a hardware failure in the module.
- ❑ **Accs:** This is the standard VXI “Access” indicator. When it is on, it indicates that another device on the bus is contacting the module, for example to transfer data or read registers.
- ❑ **Trigger:** This LED flashes on each time an edge is detected on the tachometer signal, so when it is blinking it indicates that the tachometer signal is on. (For an HP E1433A that does not have the Tachometer option, this LED is defined differently.)

### **SMB Connectors**

- ❑ **Tach1:** This is one of the two tachometer inputs. Tach1 cannot be configured as an external trigger.
- ❑ **Tach2:** This is the second of the two tachometer inputs. Tach2 can also be configured (via software) to be an external trigger input
- ❑ **ExTrig:** This allows for an external trigger input to the HP E1433A. The input signal must be TTL, other characteristics can be defined in software. ExTrig can be enabled or disabled in software.

### **Input Connectors (1 or 2)**

These connectors are attached to the cables from an 8-Channel Input (breakout box) — two input connectors for each 8-Channel Input). They connect the input signal to the HP E1433A. Each connector carries four channels. Depending on options, there can be 1 or 2 input connectors (4 or 8 channels).



---

# 8

## Break Out Boxes

## Introduction

A Break Out Box connects the HP E1432A or HP E1433A to a set of connectors to receive input signals.

Several types of Break Out Boxes are available. This chapter covers:

- ❑ HP E1432-61600 ICP Break Out Box
- ❑ HP E1432-61602 Voltage Break Out Box

Other Break Out Boxes include the HP E3242A Charge Break Out Box and the HP E3243A Microphone Break Out Box. See the documentation supplied with those products for more information.

### Service

For service on the Break Out Boxes contact the nearest Hewlett-Packard Sales and Service Office listed in the HP catalog. Or the inside back cover of this manual for a list of regional offices.



---

## The HP E1432-61600 and HP E1432-61602 Break Out Boxes

Each of the Break Out Boxes described in this section has eight BNC connectors for input. They each have two cables which connect to the sub-miniature "D" connectors on the front panel of the HP E1432A/33A. Each of the two cables carries four channels. For a 4-channel HP E1432A or HP E1433A, one Break Out Box is used but only one of its cables is used; and only connectors 1-4 are used (or connectors 5-8, depending on which cable is used). For a 16-channel HP E1432A, two Break Out Boxes are used.

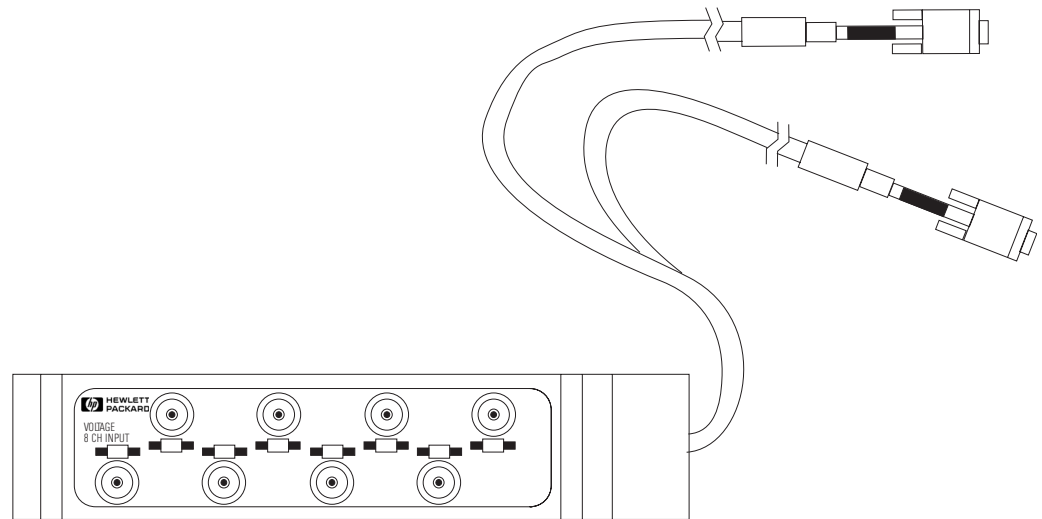


Figure 8-16: HP E1432-61602 Voltage Break Out Box

### **HP E1432-61602 Voltage-type Break Out Box**

In this type of Break Out Box the signal is sent straight through to the sub-miniature "D" connectors on the HP E1432A/33A.

### **HP E1432-61600 ICP-type Break Out Box**

Each of the eight connectors in this type of Break Out Box is connected to an independent, floating current source. These are intended to power integrated-circuit piezo-electric (ICP) transducers. They supply 4.5 mA (nominal) at up to 28 volts. The current sources are controllable by software in groups of four. That is, the current sources for connectors 1-4 can be turned on or off as a group, as can the current sources for connectors 5-8.

### **Break Out Box Grounding**

Each connector on the HP E1432-61600 and HP E1432-61602 Break Out Box has a small manual switch next to it. When this switch is in the "GND" position the outer shell of the connector is grounded to the chassis ground of the VXI mainframe. When it is in the "DIFF" position it is not grounded to the mainframe and will float if not grounded elsewhere in the system (such as at the sensor). The connector shell should not be allowed to float: if the switch is in the "DIFF" position the shell should be grounded elsewhere in the system.

---

## Break Out Box Cables

### Making a Custom Break Out Box Cable

A cable to connect the Break Out Box with the HP E1432A/33A is supplied with the each of the Break Out Boxes described in this chapter. However, this section is included for those users who may want to make their own connecting cable. The drawing on this page shows the AMP part numbers for the parts you will need to make the plug end of the cable. This illustration shows an HP E1432-61602 Voltage Break Out Box, an HP E3242A Break Out Box requires a single cable with connectors at both ends.

The next page shows the pinout for the connector.

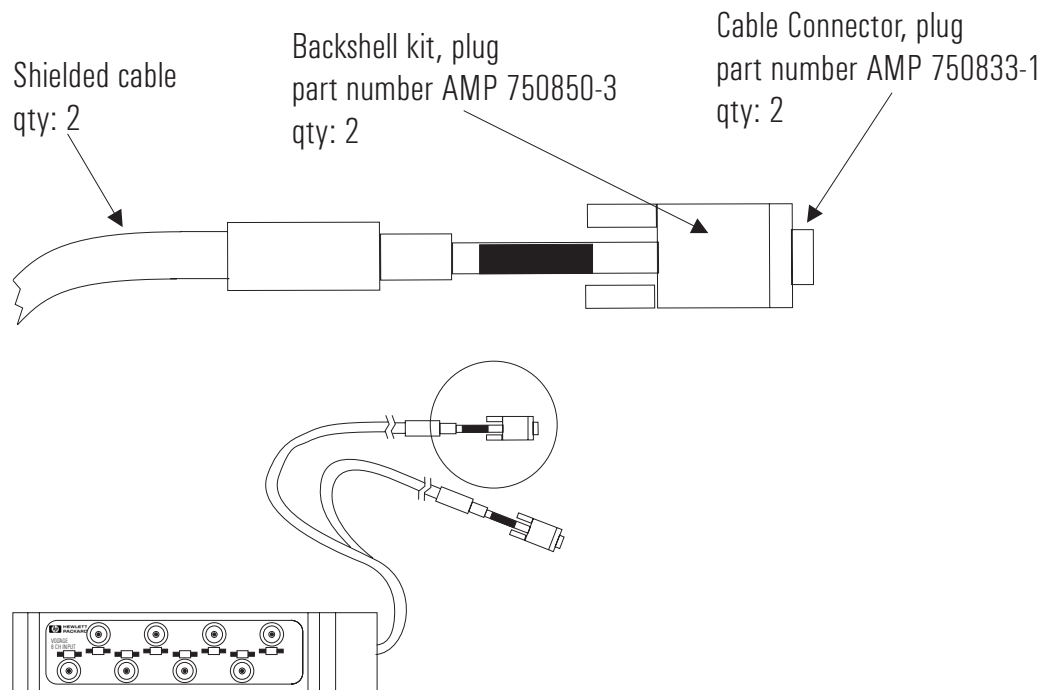
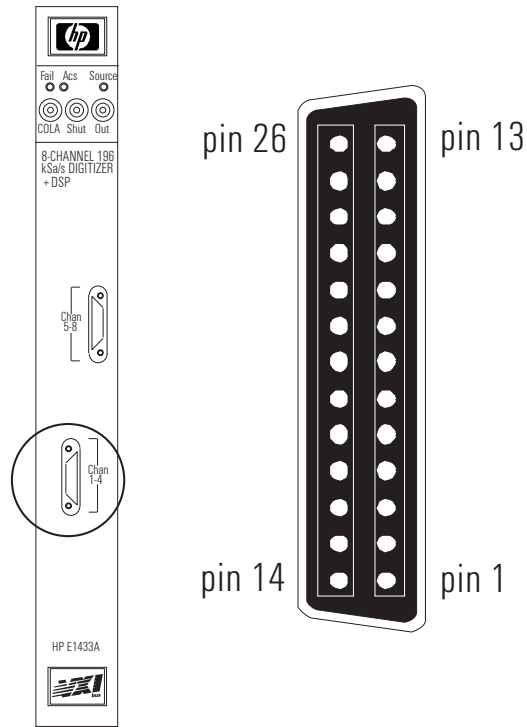


Figure 8-17: Break Out Box cable and part numbers



**Pin definitions for input connector**

definition	pin #	pin #	definition
RFI GND/Cable Shield	26	13	- Diff 1
+24V Power	25	12	+ Diff 1
GND Return for +/- 24V	24	11	RFI GND/Drain Shield 1
-24 Power	23	10	RFI GND/Drain Shield 2
RFI GND	22	9	- Diff 2
I2C SCL	21	8	+ Diff 2
CAL HIGH	20	7	CAL LOW
BoB_EN	19	6	- Diff 3
RFI GND	18	5	+ Diff 3
I2C SDA	17	4	RFI GND/Drain Shield 3
RFI GND	16	3	RFI GND/Drain Shield 4
I2C_EN	15	2	- Diff 4
RFI GND/Cable Shield	14	1	+ Diff 4

## Recommendations on wiring for the E1432/3A 4 Channel Input Connector

### Allowed Connections

Differential Input Channels  
Connect at E1432/3A end of cabling and at DUT  
Recommended: shielded twisted pair

1	+ Diff 4
2	- Diff 4
5	+ Diff 3
6	- Diff 3
8	+ Diff 2
9	- Diff 2
12	+ Diff 1
13	- Diff 1

Input Channel Shielding  
Connect at E1432/3A end of cabling ONLY

3	RFI GND/Drain Shield 4
4	RFI GND/Drain Shield 3
10	RFI GND/Drain shield 2
11	RFI GND/Drain Shield 1

Additional shielding of entire cable  
GND for grounded measurements if required

14	RFI GND/Cable Shield
26	RFI GND/Cable Shield

### Dis-allowed Connections

Do NOT connect these pins on E1432/3A end of cabling. These signals and supplies are provided for HP specified break out boxes and are unspecified for other usage.

**Do not use:**

15	I2C_EN
17	I2C_SDA
21	I2C_SCL
16	RFI GND/I2C Shield
18	RFI GND/I2C Shield
22	RFI GND/I2C Shield
19	BOB_EN
7	CAL_LOW
20	CAL_HIGH
23	-24 V Power
24	+/-24 V GND Return
25	+24 V Power

In general:

- +/- DIFF n lines are the differential inputs for each channel. Shielded twisted-pair is recommended.
- RFI GND/Drain Shield n are the grounds for the shield on the twisted-pair for each input channel. Connect at the HP E1432A/33A end of the cable only.
- RFI GND/Cable Shield are the grounds for a shield around the entire cable, and the ground points for making individual channels single-ended.
- I2C\_xxx supply control signals to the active break out boxes. We do not provide support for other usage. These are not used with the HP E3240/1A Voltage and Voltage/ICP break out boxes.
- RFI GND/I2C Shield protects the analog input lines.
- BOB\_EN is another break out box control signal. We do not provide support for its usage for anything but certain HP-specified break out boxes.
- CAL\_HIGH/LOW are signal lines to send calibration signals to the HP-specified break out boxes. The signals available on these lines are not specified and their usage is discouraged.
- +/- 24V Power and GND supply power to the signal conditioning circuitry in the active break out boxes, and ICP in the active ICP break out box. The power available on these lines is not specified and their usage is discouraged.

---

# Troubleshooting the HP E1433A

## Diagnostics

The following describes a limited diagnostic program for the HP E1432A, HP E1433A, and HP E1434A. It is to be run from an HP-UX host. The program is called "hostdiag." It can be found with the HP E1432A Host Interface Software Library at location /usr/e1432/bin.

location: /usr/e1432/bin

Usage: hostdiag [-hPsuvV] [-f file] [-L laddr] [-S slot] [-O list]

-h

Does a quick, partial test by bypassing the tests which involve downloading code to the module.

-f file

Uses "file" as the source of code to download to the module instead of the default sema.bin.

-L logical\_addr

Specifies the logical address of the module to be tested. The default value is 8.

-O option\_list

Tests the module against a list model/options. For example -O "E1432,1DE,AYF" tests the module as an 8 channel E1432A with the tachometer option. Without this option, hostdiag only tests what it finds present. Hardware which has failed in such a way that it appears to be absent will not be detected without this option.

-P

Prints only a pass/fail message - no diagnostic printouts.

-s

Additionally runs the "standard input/output" tests. Sources finish testing with 1 Vpk, 1 KHz sine on each output for manual verification of output functionality. Input testing (both HP E1432A and HP E1433A inputs and the Tachometer input) assumes 1 Vpk, 1 KHz sine input on each channel. This allows testing of additional portions of the signal path which inaccessible from the internal tests.

-S vxi\_slot

Test the module in the vxi slot, vxi\_slot. Default is to test the module at logical address 8.



-u  
Display usage message.

-v  
Specifies the verbose printing. Normally, hostdiag does not print anything unless an error is found. With this option, hostdiag prints status messages as it operates. This option also enables additional diagnostic information which is not generally useful.

-V  
Print version info.

Hostdiag returns 0 upon success, or returns non-zero if an error is detected.

Coverage:

- Main board
- DRAM SIMMs
- Input SCAs (Signal Conditioning Assemblies)
- Source SCAs (HP E1434A)
- Optional source
- Optional tachometer (HP E1432A and HP E1433A)

Notes:

- Tests are somewhat limited but will catch many hardware errors
- No errors printed means that all tests passed



---

# 10

---

## Replacing Assemblies

## Replaceable Parts

For information on upgrading your module or replacing parts, contact your local Hewlett-Packard sales and service office. See the inside back cover of this guide for a list of office locations and address

Replacement parts are listed in the following tables:

- Assemblies: without option AYF or 1D4
- Assemblies: with option AYF
- Assemblies: with option 1D4
- Cables: without option AYF or 1D4
- Cables: with option AYF
- Cables: with option 1D4
- Front Panel

### Ordering Information

To order a part listed in one of the tables, quote the Hewlett-Packard part number (HP Part Number) and the check digit (CD). Indicate the quantity required and address the order to the nearest Hewlett-Packard sales and service office (see the inside back cover of this guide). The check digit verifies that an order has been transmitted correctly, ensuring accurate and timely processing of the order. The first time a part is listed in the table, the quantity column (Qty) lists the total quantity of the part used in the module. For the corresponding name and address of the manufacturer's codes shown in the tables, see "Code Numbers."

---

### Caution

The module is static sensitive. Use the appropriate precautions when removing, handling, and installing to avoid unnecessary damage.

### Direct Mail Order System

Within the U.S.A., Hewlett-Packard can supply parts through a direct mail order system. Advantages of the Direct Mail Order System are:

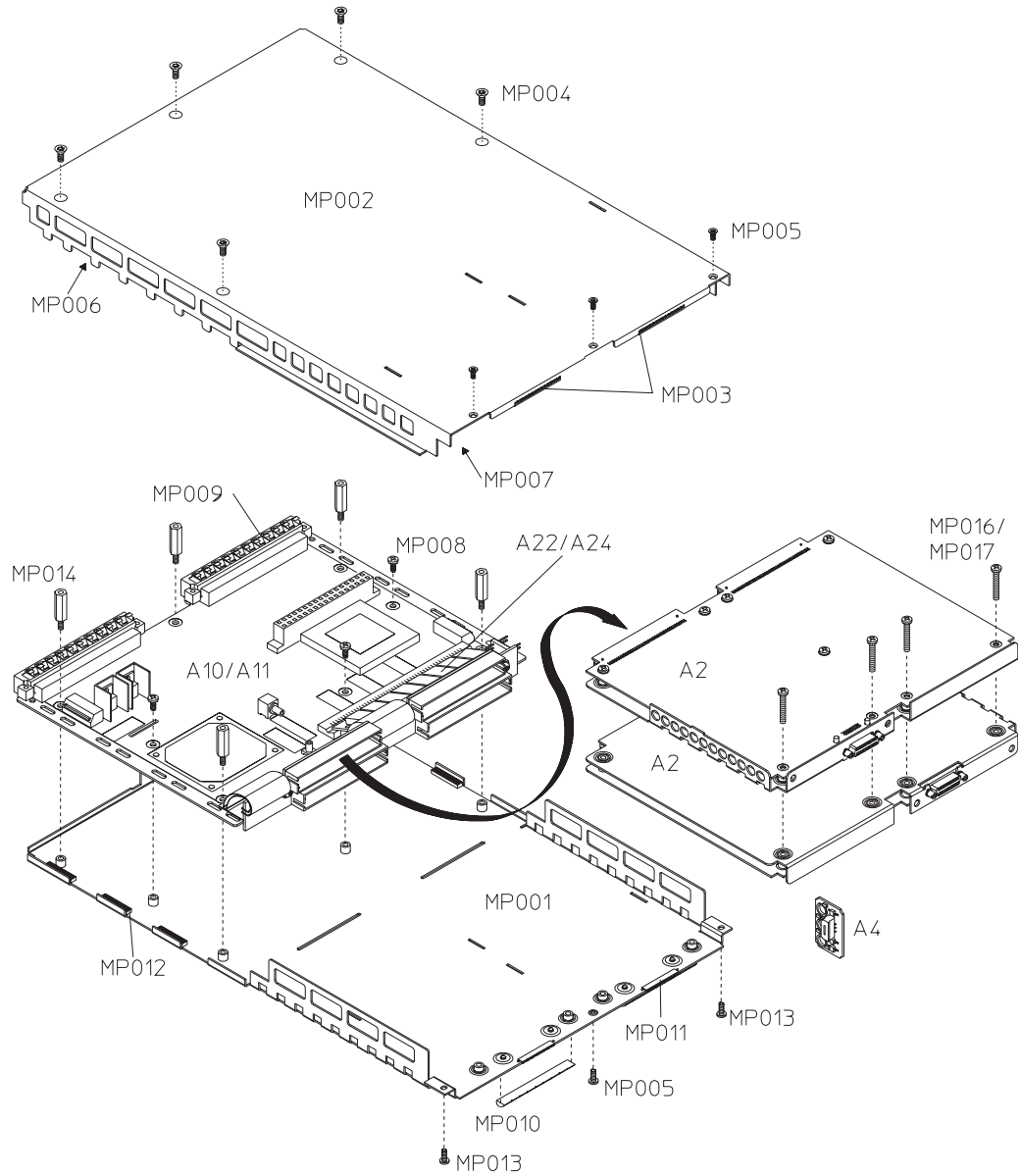
- Direct ordering and shipment from the HP Parts Center.
- No maximum or minimum on any mail order. There is a minimum order for parts ordered through a local HP sales and service office when the orders require billing and invoicing.
- Transportation charges are prepaid. A small handling charge is added to each order.
- No invoicing. A check or money order must accompany each order.
- Mail order forms and specific ordering information are available through your local Hewlett-Packard sales and service office. See the inside back cover of this guide for a list of Hewlett-Packard sales and service office locations and addresses.

### Code Numbers

The following table provides the name and address for the manufacturers' code numbers (Mfr Code) listed in the replaceable parts tables.

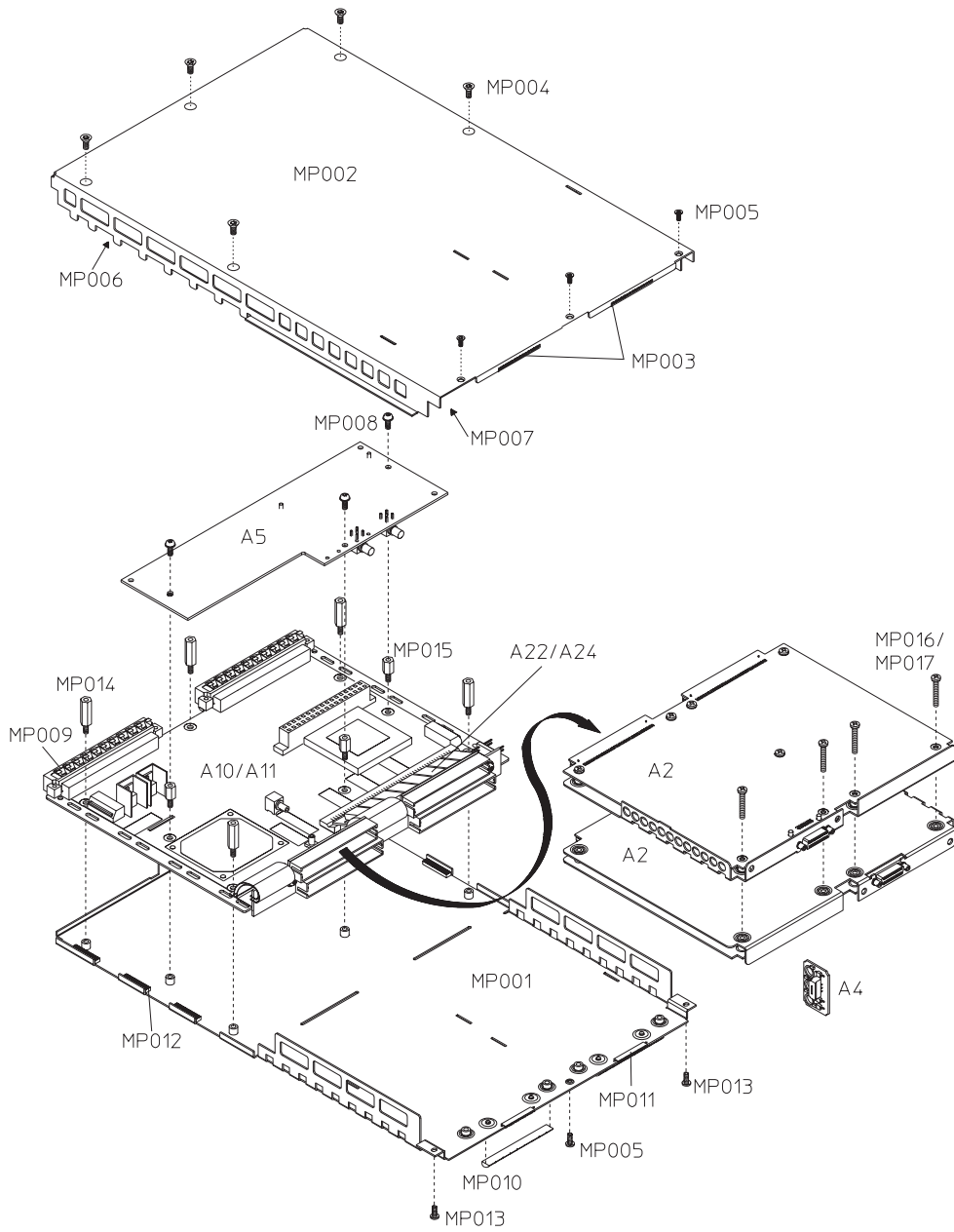
<b>Mfr No.</b>	<b>Mfr Name</b>	<b>Address</b>
28480	Hewlett-Packard Company	Palo Alto, CA 94304 U.S.A.
30817	Instrument Specialties Co. Inc.	Placentia, CA 92670 U.S.A.
83486	Elco Industries Inc.	Rockford, IL 61101 U.S.A.

**Assemblies: without option AYF or 1D4**



Ref Des	HP Part Number	CD	Qty	Description	Mfr Code	Mfr Part Number
A2	E1433-66533	0	2	PC ASSY-INPUT	28480	E1433-66533
A4	E1432-66504	4	1	PC ASSY-LED	28480	E1432-66504
A10	E1433-66510	2	1	PC ASSY-MAIN OPT UGV	28480	E1433-66510
A11	E1433-66511	4	1	PC ASSY-MAIN	28480	E1433-66511
A22	1818-5622	8	1	ICM DRAM, SIMM, 8x32	28480	1818-5622
A24	1818-5624	0	1	ICM DRAM, SIMM, 1x32	28480	1818-5624
MP001	E1432-00605	9	1	SHTF CVR-BTTM ALSK	28480	E1433-00605
MP002	E1432-00603	6	1	SHTF CVR-TOP	28480	E1432-00603
MP003	8160-0862	3	0	GSKT RFI STRIP FNGRS	30817	0097-553-17-020
MP004	0515-2033	6	5	SCR-MCH M3.0 10MMLG	28480	0515-2033
MP005	0515-2028	9	4	SCR-MCH M2.5 6MMLG	28480	0515-2028
MP006	E1432-44101	1	1	GSKT THERMAL CONDUCTOR	28480	E14320-44101
MP007	E1485-40601	1	1	GSKT-RFT, TOP CVR ADH SHT	28480	E1485-40601
MP008	0515-0372	2	3	SCR-MCH M3.0 8MMLG	28480	0515-0372
MP009	E1450-01202	5	4	STMP SHLD-RFI GRND	28480	E1450-01202
MP010	8160-0686	6	1	STMP FNGRS-RFI STRP BECU	30817	786-185
MP011	8160-0683	3	0	STMP STRP-SPNG FLTR GRD	30817	0097-551-17-X
MP012	8160-0869	7	6	GSKT RFI, 2MM X 4MM	28480	8160-0869
MP013	0515-0368	6	2	SCR-MCH M2.5 X 0.45	28480	0515-0368
MP014	0380-4042	4	5	STDF-HXMF M3.0 16.7MMLG	28480	0515-4042
MP016	0515-2383	9	4	SCR-MCH M3. X .50	28480	0515-2383
MP017	0515-0664	5	4	SCR-MCH M3.0 12MMLG	28480	0515-0664

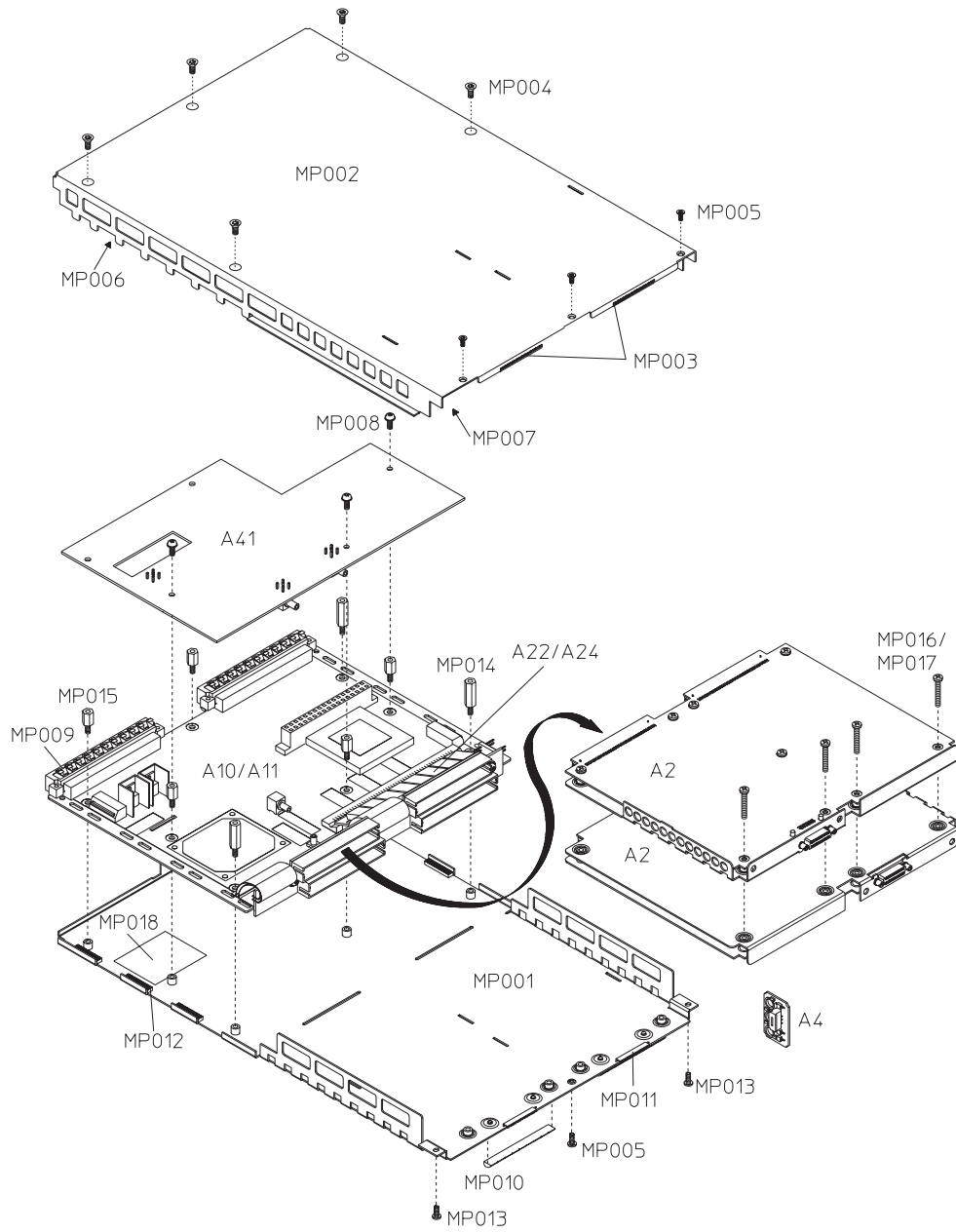
**Assemblies: with option AYF**





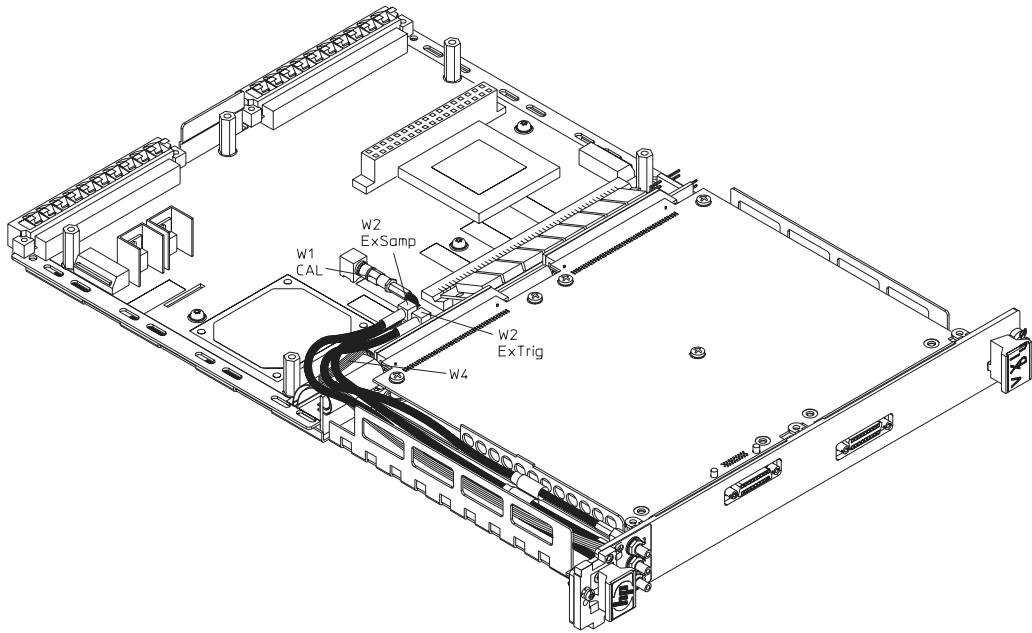
Ref Des	HP Part Number	CD	Qty	Description	Mfr Code	Mfr Part Number
A2	E1433-66533	0	2	PC ASSY-INPUT	28480	E1433-66533
A4	E1432-66504	4	1	PC ASSY-LED	28480	E1432-66504
A5	E1432-66505	5	1	PC ASSY-OPT AYF	28480	E1432-66505
A10	E1433-66510	2	1	PC ASSY—MAIN OPT UGV	28480	E1433-66510
A11	E1433-66511	4	1	PC ASSY-MAIN	28480	E1433-66511
A22	1818-5622	8	1	ICM DRAM, SIMM, 8x32	28480	1818-5622
A24	1818-5624	0	1	ICM DRAM, SIMM, 1x32	28480	1818-5624
MP001	E1433-00605	9	1	SHTF CVR-BTTM ALSK	28480	E1432-00601
MP002	E1432-00603	6	1	SHTF CVR-TOP	28480	E1432-00603
MP003	8160-0862	3	0	GSKT RFI STRIP FNGRS	30817	0097-553-17-020
MP004	0515-2033	6	5	SCR-MCH M3.0 10MMLG	28480	0515-2033
MP005	0515-2028	9	4	SCR-MCH M2.5 6MMLG	28480	0515-2028
MP006	E1432-44101	1	1	GSKT THERMAL CONDUCTOR	28480	E14320-44101
MP007	E1485-40601	1	1	GSKT-RFT, TOP CVR ADH SHT	28480	E1485-40601
MP008	0515-0372	2	3	SCR-MCH M3.0 8MMLG	28480	0515-0372
MP009	E1450-01202	5	4	STMP SHLD-RFI GRND	28480	E1450-01202
MP010	8160-0686	6	1	STMP FNGRS-RFI STRP BECU	30817	786-185
MP011	8160-0683	3	0	STMP STRP-SPNG FLTR GRD	30817	0097-551-17-X
MP012	8160-0869	7	6	GSKT RFI, 2MM X 4MM	28480	8160-0869
MP013	0515-0368	6	2	SCR-MCH M2.5 X 0.45	28480	0515-0368
MP014	0380-4042	4	5	STDF-HXMF M3.0 16.7MMLG	28480	0515-4042
MP015	0380-4041	3	3	STDF-HXMF M3.0	28480	0515-4041
MP016	0515-2383	9	4	SCR-MCH M3. X .50	28480	0515-2383
MP017	0515-0664	5	4	SCR-MCH M3.0 12MMLG	28480	0515-0664

**Assemblies: with option 1D4**



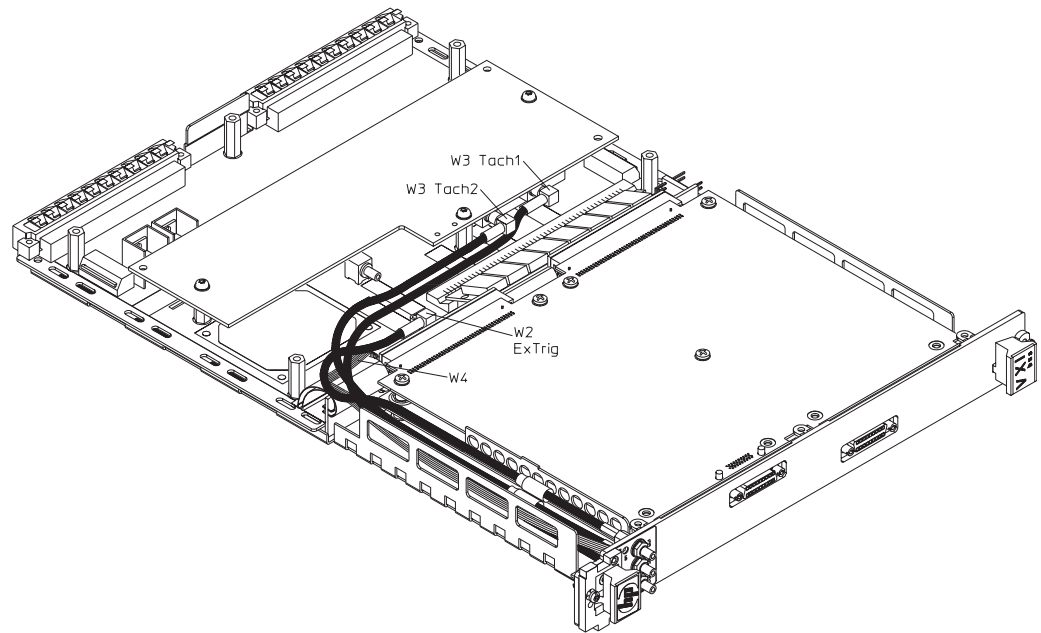
Ref Des	HP Part Number	CD	Qty	Description	Mfr Code	Mfr Part Number
A2	E1433-66533	0	2	PC ASSY	28480	E1433-66533
A4	E1432-66504	4	1	PC ASSY-LED	28480	E1432-66504
A10	E1433-66510	2	1	PC ASSY-MAIN OPT UGV	28480	E1433-66510
A11	E1433-66511	4	1	PC ASSY-MAIN	28480	E1432-66511
A22	1818-5622	8	1	ICM DRAM, SIMM, 8x32	28480	1818-5622
A24	1818-5624	0	1	ICM DRAM, SIMM, 1x32	28480	1818-5624
A41	E1432-66541	9	1	PC ASSY-OPT 1D4	28480	E1432-66541
MP001	E1433-00605	9	1	SHTF CVR-BTTM ALSK	28480	E1433-00605
MP002	E1432-00603	6	1	SHTF CVR-TOP	28480	E1432-00603
MP003	8160-0862	3	0	GSKT RFI STRIP FNGRS	30817	0097-553-17-020
MP004	0515-2033	6	5	SCR-MCH M3.0 10MMLG	28480	0515-2033
MP005	0515-2028	9	4	SCR-MCH M2.5 6MMLG	28480	0515-2028
MP006	E1432-44101	1	1	GSKT THERMAL CONDUCTOR	28480	E14320-44101
MP007	E1485-40601	1	1	GSKT-RFT, TOP CVR ADH SHT	28480	E1485-40601
MP008	0515-0372	2	3	SCR-MCH M3.0 8MMLG	28480	0515-0372
MP009	E1450-01202	5	4	STMP SHLD-RFI GRND	28480	E1450-01202
MP010	8160-0686	6	1	STMP FNGRS-RFI STRP BECU	30817	786-185
MP011	8160-0683	3	0	STMP STRP-SPNG FLTR GRD	30817	0097-551-17-X
MP012	8160-0869	7	6	GSKT RFI, 2MM X 4MM	28480	8160-0869
MP013	0515-0368	6	2	SCR-MCH M2.5 X 0.45	28480	0515-0368
MP014	0380-4042	4	3	STDF-HXMF M3.0 16.7MMLG	28480	0515-4042
MP015	0380-4041	3	5	STDF-HXME M3.0	28480	0515-4041
MP016	0515-2383	9	4	SCR-MCH M3. X .50	28480	0515-2383
MP017	0515-0664	5	4	SCR-MCH M3.0 12MMLG	28480	0515-0664
MP018	0340-0677	9	1	PLASTIC SHIELD	28480	0340-0677

**Cables: without option AYF or 1D4**



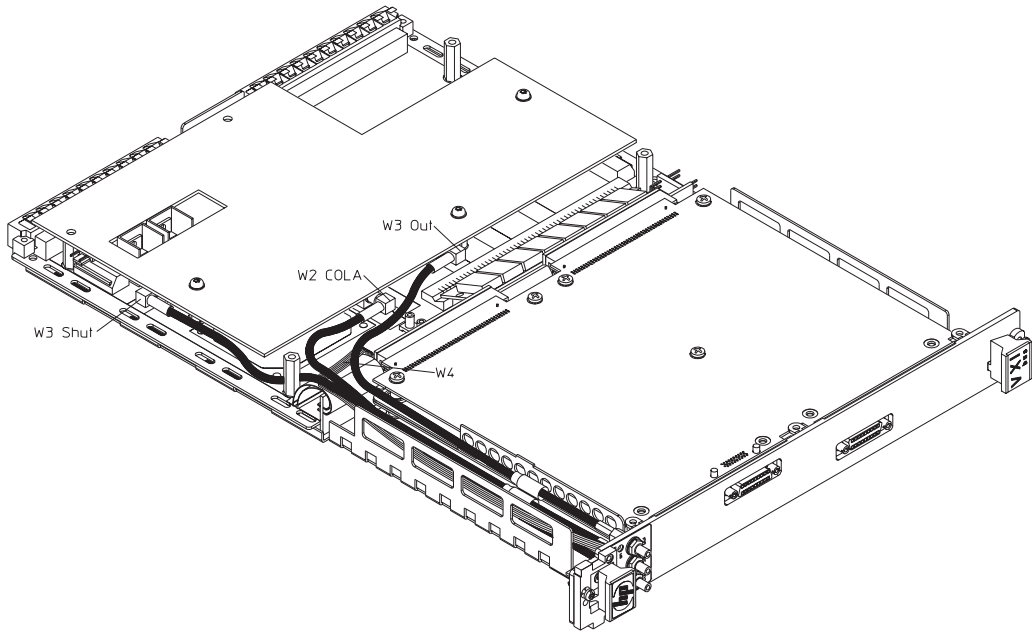
Ref Des	HP Part Number	CD	Qty	Description	Mfr Code	Mfr Part Number
W1	8120-6767	2	1	CBL-ASM CXL, 290MM	28480	8120-6767
W2	8120-6765	0	2	CBL-ASM CXL, 255MM	28480	8120-6765
W4	8120-6762	7	1	CBL-FLEX, 5-COND, 225MML	28480	8120-6762

**Cables: with option AYF**



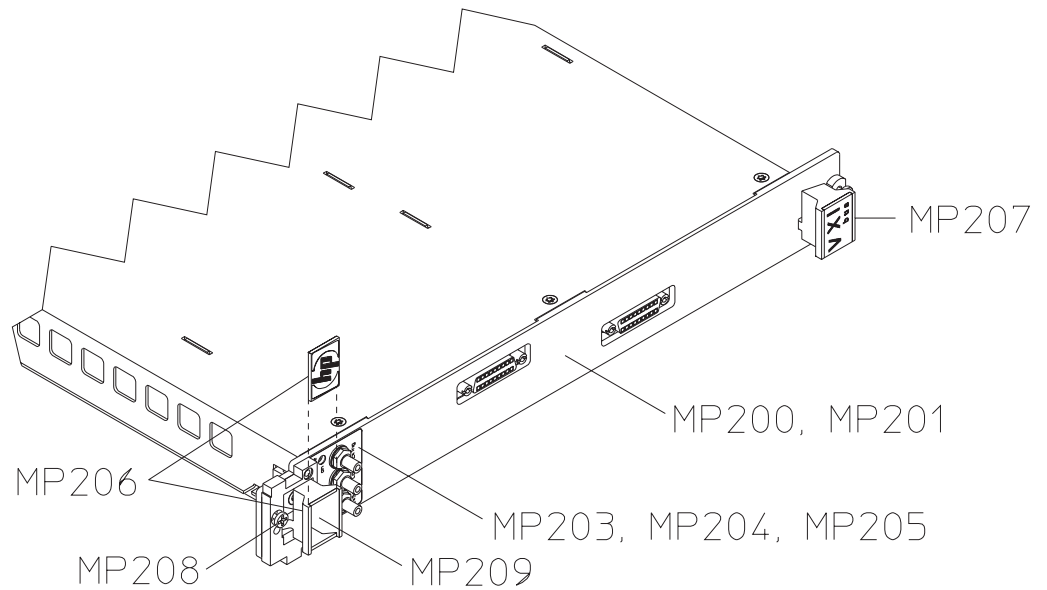
Ref Des	HP Part Number	CD	Qty	Description	Mfr Code	Mfr Part Number
W2	8120-6765	0	1	CBL-ASM CXL, 255MM	28480	8120-6765
W3	8120-6766	1	2	CBL-ASM CXL,	28480	8120-6766
W4	8120-6762	7	1	CBL-FLEX, 5-COND, 225MML	28480	8120-6762

**Cables: with option 1D4**



Ref Des	HP Part Number	CD	Qty	Description	Mfr Code	Mfr Part Number
W2	8120-6765	0	1	CBL-ASM CXL, 255MM	28480	8120-6765
W3	8120-6766	1	2	CBL-ASM CXL,	28480	8120-6766
W4	8120-6762	7	1	CBL-FLEX, 5-COND, 225MML	28480	8120-6762

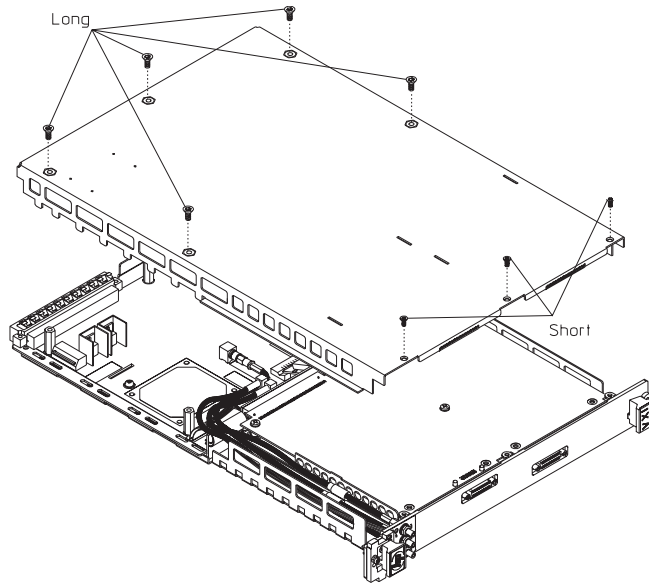
## Front Panel



Ref Des	HP Part Number	CD	Qty	Description	Mfr Code	Mfr Part Number
MP200	E1433-00206	5	1	PNL-FRT, STANDARD	28480	E1433-00206
MP201	E1433-00205	4	1	PNL-FRT, OPT 1DL	28480	E1433-00205
MP203	E1432-44301	3	1	LBL-FRT PNL SMB'S, STD	28480	E1432-44301
MP204	E1432-44302	4	1	LBL-FRT PNL SMB'S, OPT 1D4	28480	E1432-44302
MP205	E1432-44303	5	1	LBL-FRT PNL SMB'S, OPT AYF	28480	E1432-44303
MP206	E1400-84106	1	1	MOLD KIT-TOP EXTR HNDL "HP"	28480	E1400-84106
MP207	E1400-84105	1	1	MOLD KIT-BTTM EXTR HNDL "VXI"	28480	E1400-84105
MP208	0515-1968	4	2	SCR-MCH M2.5 6MMLG	28480	0515-1968
MP209	0515-1375	7	2	SCR-MCH M2.5 6MMLG	83486	343-300-02506

## To remove the top cover

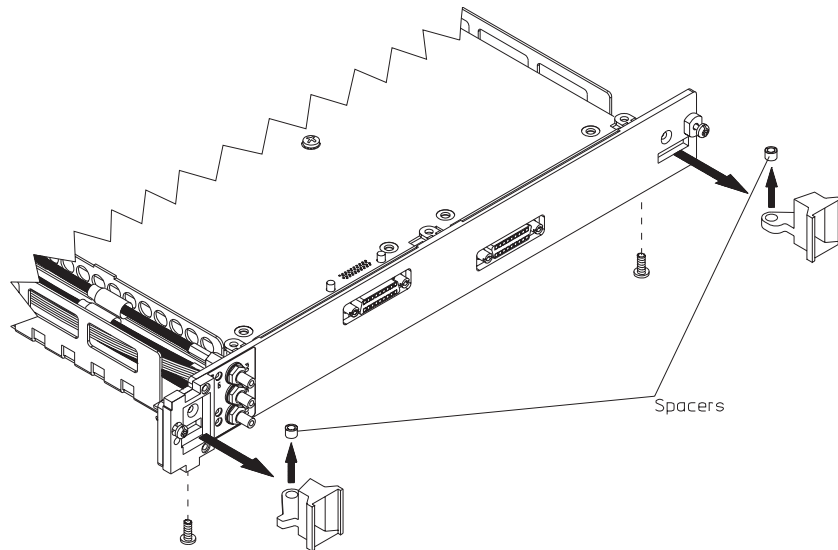
- 1 Remove the five long screws using a T-10 torx driver and remove the three short screws using a T-8 torx driver. Lift cover off.



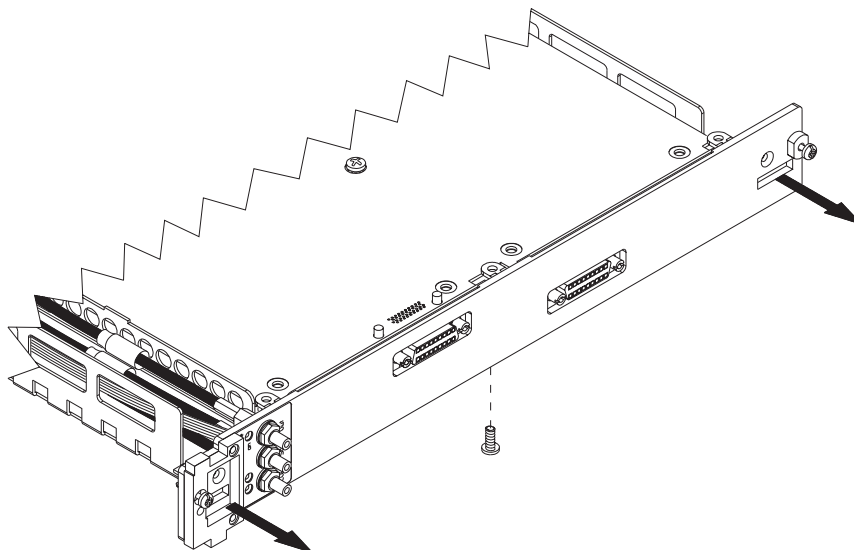


## To remove the front panel

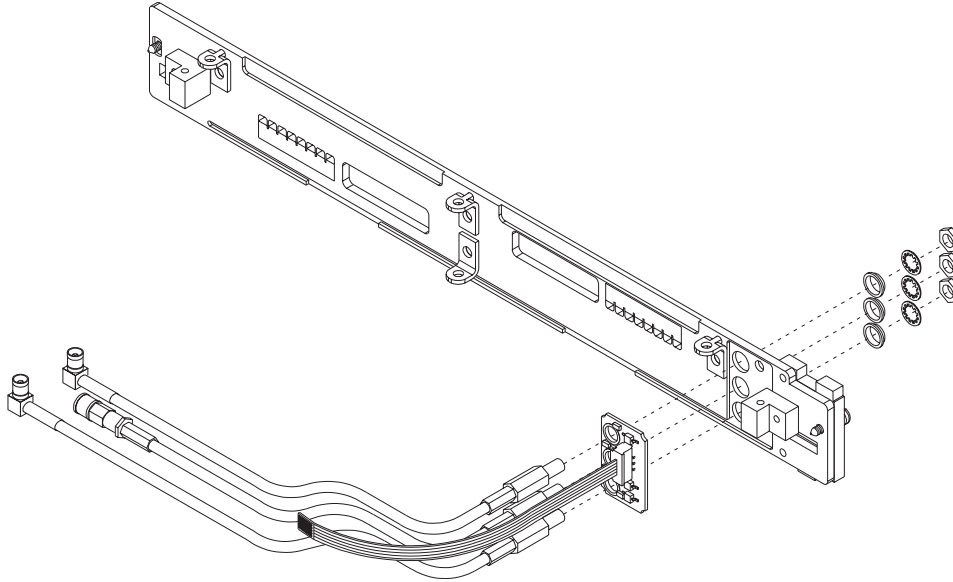
- 1 Remove top cover, see "To remove the top cover." Gently disconnect cables from the printed circuit assemblies. Using a T-8 torx driver, remove the two screws that attach the handles to the assembly. Pull out the handles making sure not to lose the two spacers.



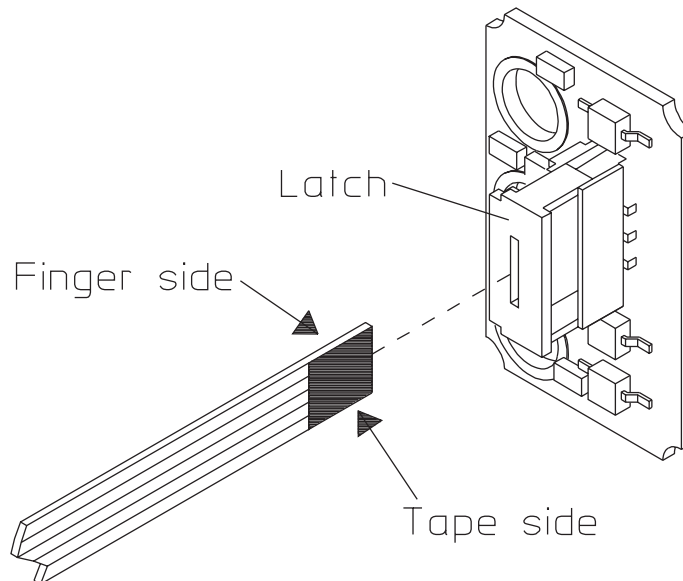
- 2 Using a T-8 torx driver, remove the screw that attaches the front panel to the bottom cover. Gently pull the front panel off.



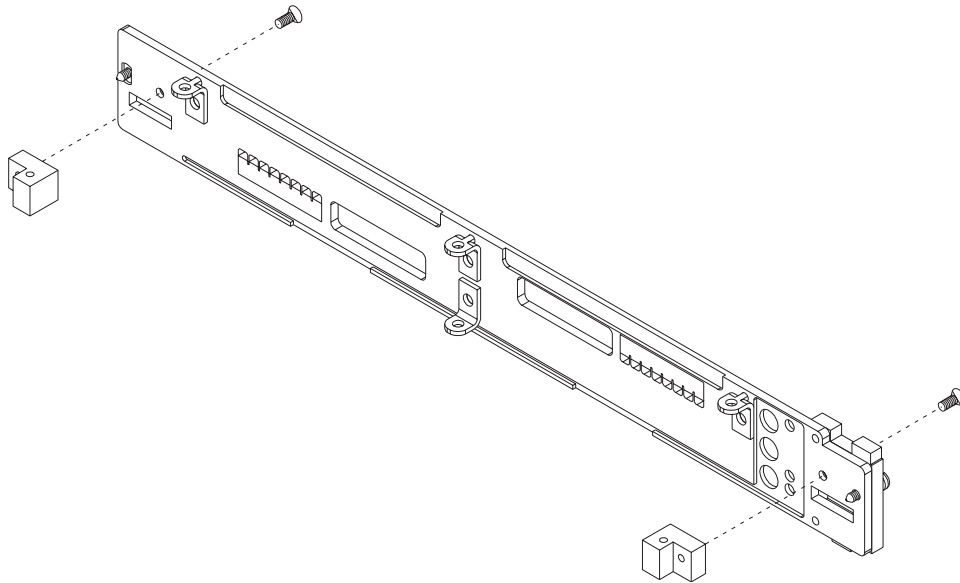
**3** Remove the nuts that fasten the cables and assembly to the front panel. Using a 1/4-inch nut driver.



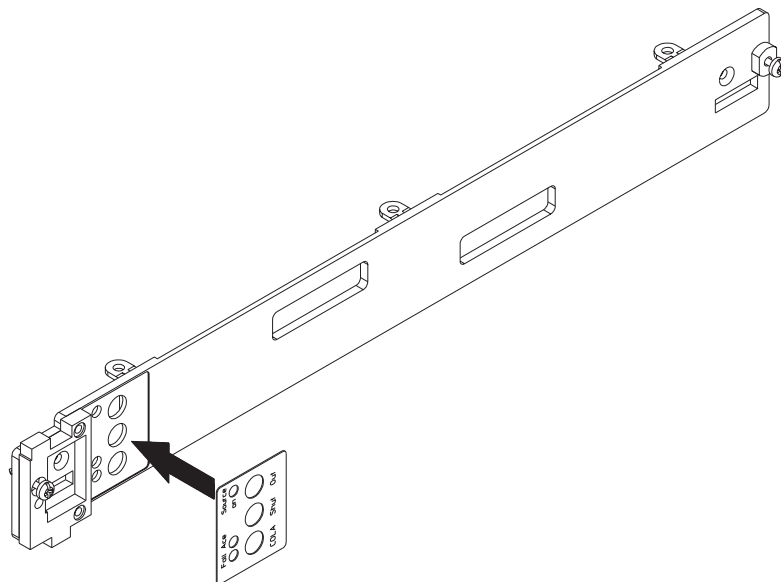
**4** Remove ribbon cable from the A4 assembly, by pulling back the latch on the connector and removing cable. Be sure to note the orientation of the cable.



**5** To replace the front panel with another that does not have its own side brackets, remove the brackets from the old front panel using a T-8 torx driver. Be sure to note the positioning of the brackets, alignment is critical.



**6** To replace the front panel with another that does not have the label already attached, remove the tape backing and place it on the front panel as shown.

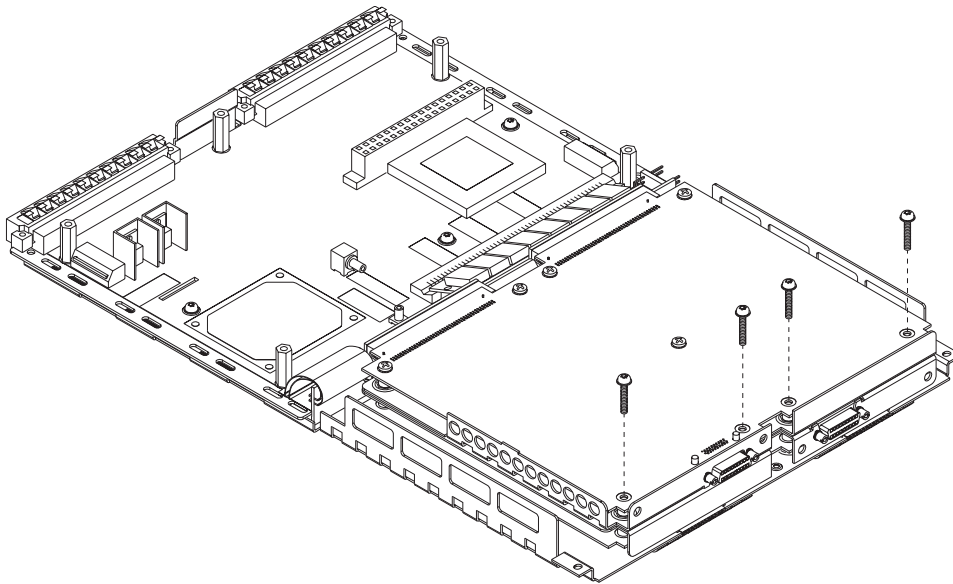


---

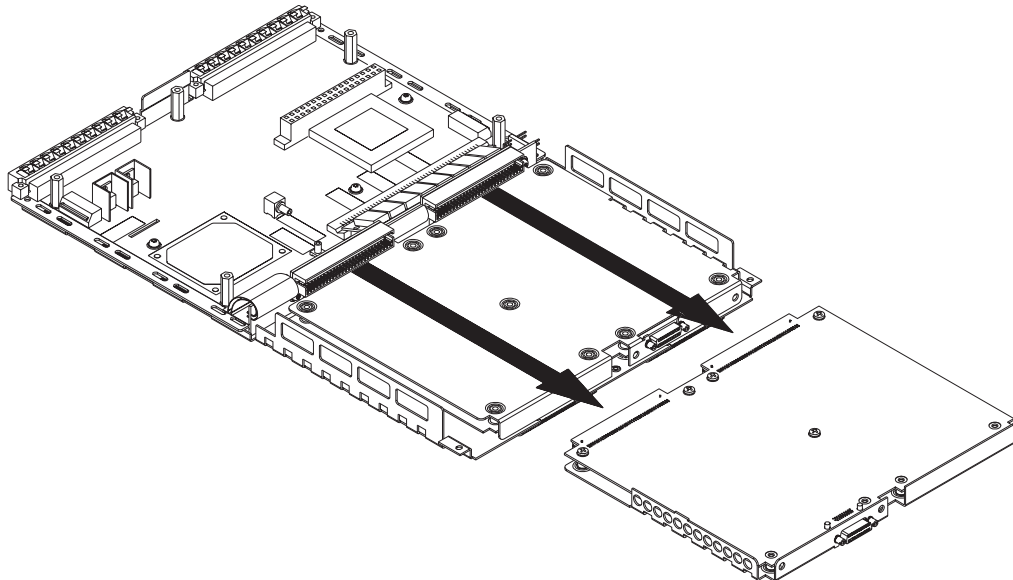
## To remove the input assemblies

**1** Remove top cover, see “To remove the top cover.” Remove the front panel, see steps 1 and 2 in “To remove the front panel.” Note that the following steps are showing illustrations of an HP E1433A with a standard configuration (two input assemblies). If your HP E1433A has option 1DL (one input assembly), the following steps will be the same except the length of the screws and the number of input assemblies to be removed.

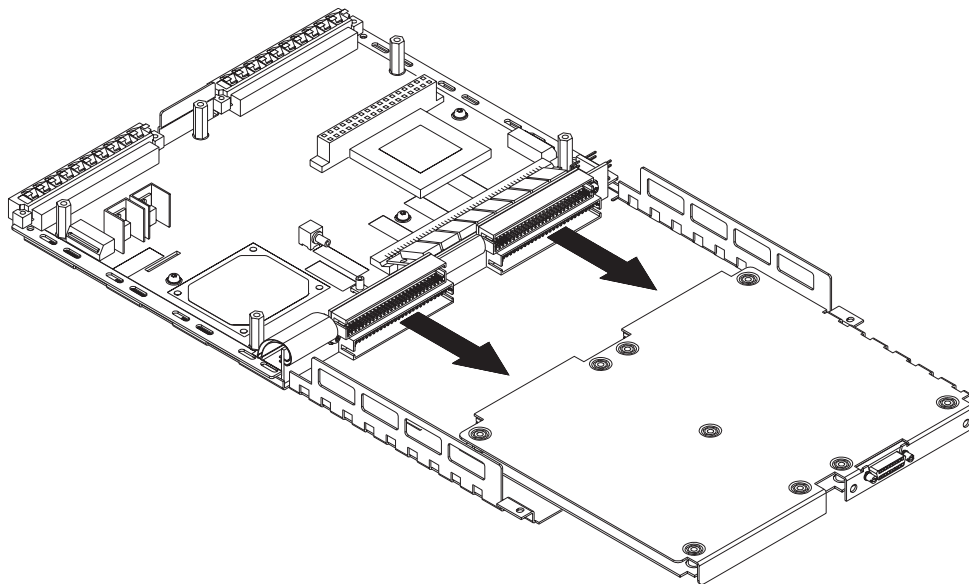
**2** Using a T-10 torx driver, remove the four screws that attach the assemblies to the bottom cover.



**3** Remove the top assembly by gently pulling it forward, releasing it from the connectors.



**4** Remove the remaining input assembly.

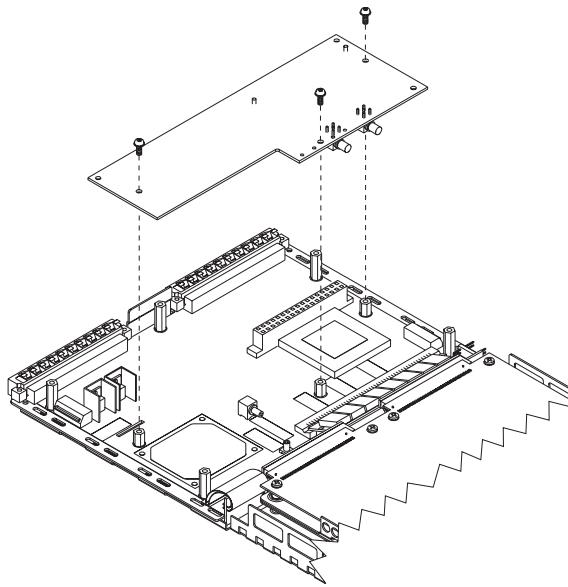


---

## To remove the option A5F assembly

**1** Remove the top cover, see “To remove the top cover.” Disconnect the two cables leading to the A5 assembly and move cables aside.

**2** Using a T-10 torx driver, remove the three screws that attach the assembly to the HP E1433A and lift the assembly off.

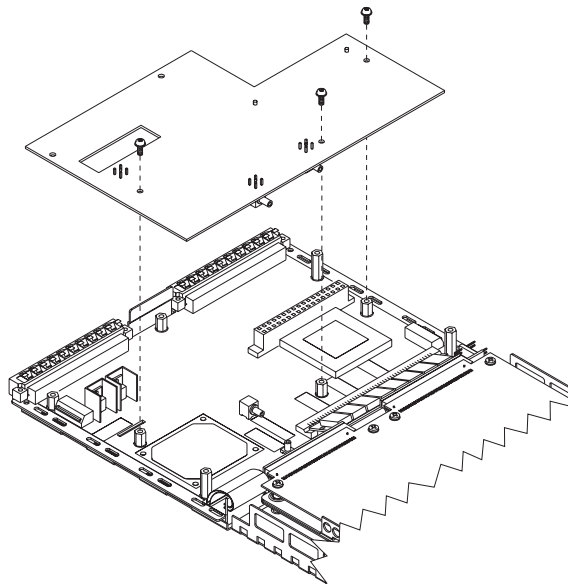


---

## To remove the option 1D4 assembly

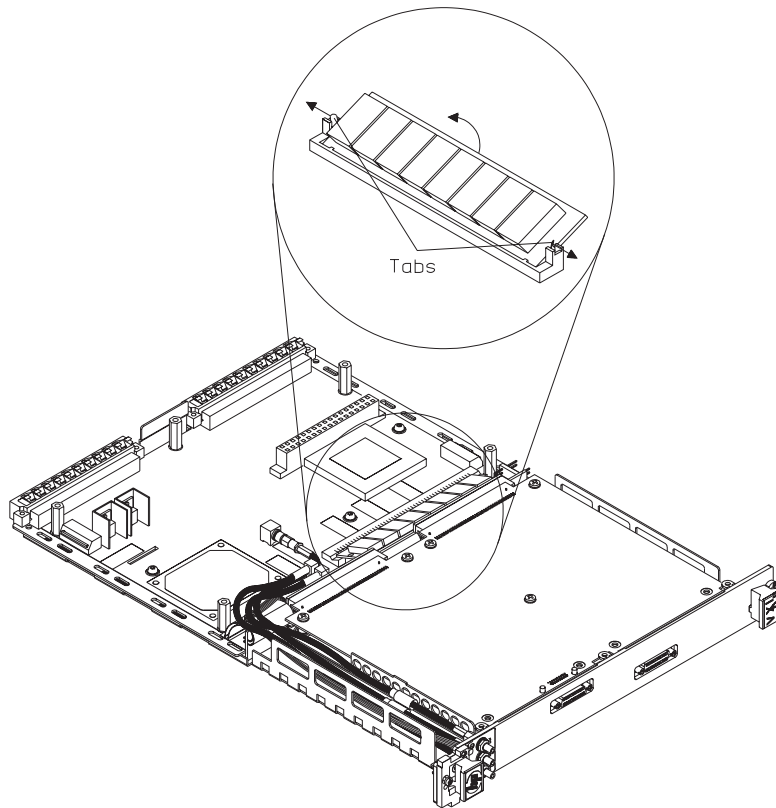
**1** Remove the top cover, see “To remove the top cover.” Disconnect the three cables leading to the A41 assembly and move cables aside.

**2** Using a T-10 torx driver, remove the three screws that attach the assembly to the HP E1433A and lift the assembly off.



## To remove the A22/A24 assembly

- 1 Remove the top cover, see “To remove the top cover.” Gently push the silver tabs outward and tilt the A22/A24 assembly forward releasing it from the connector.

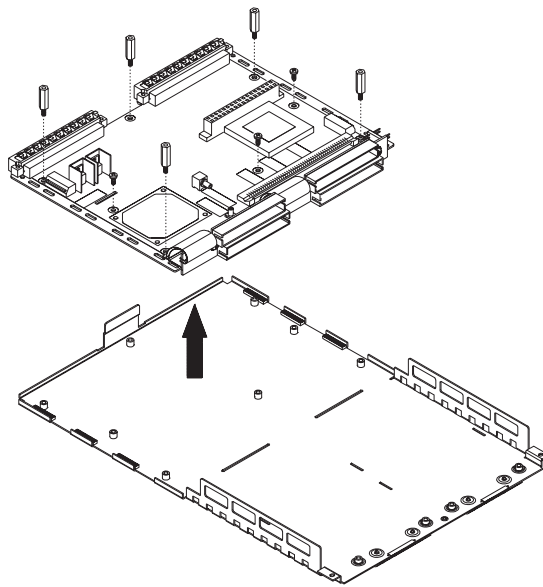




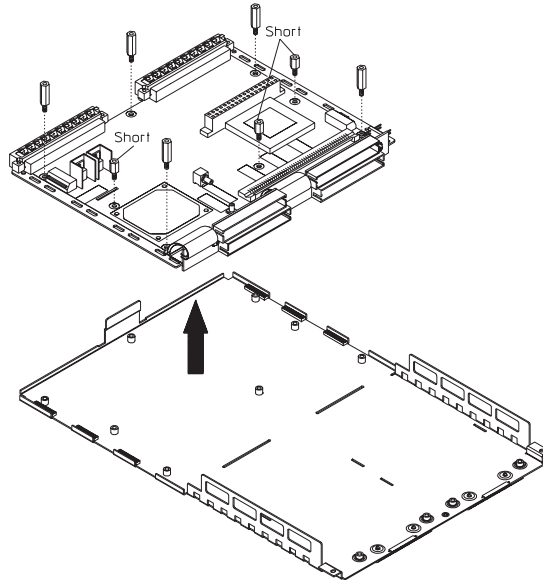
## To remove the A10/A11 assembly

**1** Remove top cover and input assemblies. See “To remove the top cover,” and “To remove the input assemblies.”

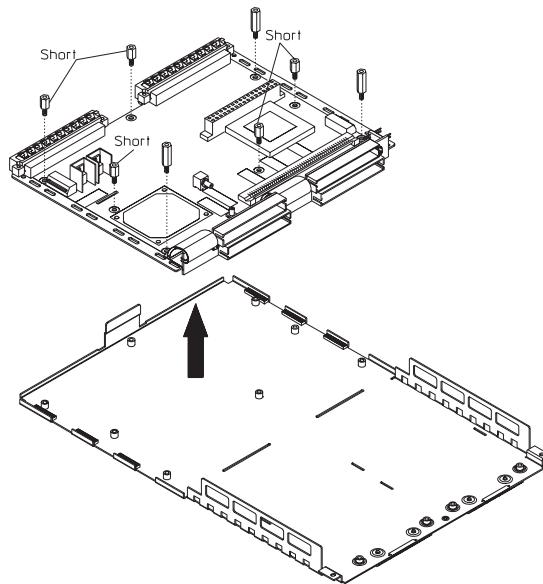
**2A** *If your module does NOT have option AYP or option 1D4 do the following:* Remove the 5 standoffs using a 1/4-inch nut driver, and remove the 3 screws using a T-8 torx driver.



**2B** *If your module has option AYF do the following:* Remove the AYF option assembly, see “To remove the option AYF assembly.” Remove the 5 long and the 3 short standoffs using a 1/4-inch nut driver.



**2C** *If your module has option 1D4 do the following:* Remove the 1D4 option assembly, see “To remove the option 1D4 assembly.” Remove the 3 long and the 5 short standoffs using a 1/4-inch nut driver.



---

Backdating

## Backdating

This chapter documents modules that differ from those currently being produced. With the information provided in this chapter, this guide can be modified so that it applies to any earlier version or configuration of the module.

---

# Appendix A

---

## Register Definitions

## The HP E1433A VXI Registers

The HP E1433A 8-Channel 196 kSa/sec Digitizer plus DSP is a register-based VXI device. Unlike message-based devices which use higher-level programming using ASCII characters, register-based devices are programmed at a very low level using binary information. The greatest advantage of this is speed. Register-based devices communicate at the level of direct hardware manipulation and this can lead to much greater system throughput.

Users do not need to access the registers in order to use the HP E1433A. The HP E1433A's functions can be more easily accessed using the HP E1432A Host Interface Library software (which is used for both the HP E1433A and the HP E1432A 16 Channel 51.2 kSa/sec Digitizer plus DSP). However this chapter describing the registers is provided for your information.

### The A16 Registers

The following A16 registers are accessible at the base address defined by the device's logical address. The register at offsets  $00_{16}$  to  $E_{16}$  are not accessible using longword (D32) accesses. The registers at offsets  $10_{16}$  to  $3E_{16}$  may be accessed by any of the D08(E0), D16, or D32 modes. All of these registers are also accessible at the device A24 base address.

<b>Address</b>	<b>Read</b>	<b>Write</b>
3E <sub>16</sub>	Parameter 7 Register	
3C <sub>16</sub>		
3A <sub>16</sub>	Parameter 6 Register	
38 <sub>16</sub>		
36 <sub>16</sub>	Parameter 5 Register	
34 <sub>16</sub>		
32 <sub>16</sub>	Parameter 4 Register	
30 <sub>16</sub>		
2E <sub>16</sub>	Parameter 3 Register	
2C <sub>16</sub>		
2A <sub>16</sub>	Parameter 2 Register	
28 <sub>16</sub>		
26 <sub>16</sub>	Parameter 1 Register	
24 <sub>16</sub>		
22 <sub>16</sub>	Query Response Register	Command Register
20 <sub>16</sub>		
1E <sub>16</sub>	FIFO Count	
1C <sub>16</sub>		
1A <sub>16</sub>	Send Data	Receive Data
18 <sub>16</sub>		
16 <sub>16</sub>	RAM 1	
14 <sub>16</sub>		
12 <sub>16</sub>	RAM 0	
10 <sub>16</sub>		
0E <sub>16</sub>	IRQ Status Register	IRQ Reset Register
0C <sub>16</sub>	IRQ Config Register	
0A <sub>16</sub>	Page Map Register	
08 <sub>16</sub>	Port Control Register	
06 <sub>16</sub>	Offset Register	
04 <sub>16</sub>	Status Register	Control Register
02 <sub>16</sub>	Device Type	
00 <sub>16</sub>	ID Register	Logical Address Register

### The A24 Registers

The following A24 registers are accessible at the base address defined by the device's offset Register. The registers at offsets 0 to  $E_{16}$  are not accessible using longword (D32) accesses. The registers at offsets  $10_{16}$  to  $FFFFF_{16}$  may be accessed by any of the of the D08(E0), D16, or D32 modes.

$FFFF_{16}$ $8000_{0_{16}}$	<b>Movable DSP Bus Window</b>
$7FFF_{16}$ $3000_{0_{16}}$	<b>Fixed DSP Bus Window</b>
$2FFF_{16}$ $2000_{0_{16}}$	<b>Send/Receive Data Registers</b>
$1FFF_{16}$ $0004_{F_{16}}$	<b>Fixed DSP Bus Window</b>
$0003_{F_{16}}$ $0000_{0_{16}}$	<b>VXI Bus A16 Registers</b>

The A24 registers are defined as follows:

- VXI Bus A16 Registers: These are the same registers accessed at the device's A16 base address.
- Fixed DSP Bus Window: Accesses to this region are mapped to the corresponding locations at the base of the internal DSP's memory map, also accessible through Page 0 of the moveable DSP bus window.
- Send/Receive Data Registers: Accesses to any address in this region will read/write the Send and Receive Data registers defined in the A16 register set. VME Bus D32 Block Transfers are supported for these addresses only.
- Movable DSP Bus Window: Accesses to this region are mapped (by the Page Map register) to different 512 kB regions of the internal DSP bus.



The VXI Bus Registers are defined as follows:

- ❑ Id Register: A read of this 16 bit register provides information about the device's configuration. Its value is always CFFF16 as defined in the following table.

Bit	15-14	13-12	11-0
Contents	11 (Register Based Device)	00 (A16/A24)	111111111111 (HP's ID)

- ❑ Logical Address Register: A write to this register changes the device's logical address according to the VXI Bus Dynamic Configuration protocol. Its format is defined in the following table.

Bit	15-8	7-0
Contents	No effect	Logical Address

- ❑ Device Type Register: A read of this register provides information about the device's configuration. Its format is defined in the following table.

Bit	15-12	11-0
Contents	0011 (1MB of A24)	Model Code (202 <sub>16</sub> for HP E1433A)

- ❑ Status Register: A read of this register provides information about the device's status as defined in the following table.

Bit	15	14	13-12	11	10	9	8
Contents	A24 Active	MODID*	Unused	Block Ready	Data Ready	ST Done	Loaded

Bit	7	6	5	4	3	2	1	0
Contents	Done	Err*	Unused	HW OK	Ready	Passed	Q Resp Ready	Cmd Ready

A24 Active: A one (1) in this field indicates that the A24 registers can be accessed. It reflects the state of the Control register's A24 Enable bit.

MODID\*: A one (1) in this field indicates that the device is not selected via the P2 MODID line. A zero (0) indicates that the device is selected by a high state on the P2 MODID line.

Unused: A read of these bits will always return zero (0).

Block Ready: A one (1) indicates that there is a block of data available to be read from the Send Data registers. A zero (0) indicates that less than a full block is available.

**Data Ready:** A one (1) indicates that there is at least one word (32 bits) of data available in the Send Data register. A zero (0) indicates that there is not valid data in the Send Data register.

**ST Done:** A one (1) indicates that the internal DSP has completed and passed its self test.

**Loaded:** A one (1) indicates that the internal DSP has successfully booted and has loaded a valid model code.

**Done:** A zero (0) indicates that the on-card microprocessor has not finished processing the last command and the Err\* bit is not valid. This bit is set and cleared by the DSP.

**Err\*:** A zero (0) indicates that an error has occurred in communicating with the DSP (for example: invalid parameters). This bit is set and cleared by the DSP.

**Ready:** The meaning of this depends on the state of the Passed bit. While Passed is false, a one(1) indicates that the device is in the Config Reg Init state and the Model Code bits of the Device Type register are not valid, while a zero (0) indicates that the device is in either the self test or failed state. When Passed is true, a one (1) indicates that the DSP has finished its initialization and is ready for normal operation, while a zero (0) indicates that the device is in the passed state.

**Passed:** A zero (0) indicates that the device is in either the Hard Reset, Soft Reset, Config Reg Init, Failed, or Init Failed state. A one (1) indicates that the device is in the passed state.

**HW OK:** A one (1) indicates that all the on-card FPGAs have successfully be initialized.

**Q Resp Ready (Query Response Ready):** A one (1) indicates that the Query Response Register is loaded and ready to be read. It is set by the DSP and cleared in hardware by a write to the Command Register.

**Cmd Ready:** A one (1) indicates that the command register and parameter register are available for writing. It is set by the DSP microprocessor and cleared in hardware by a write to the Command Register. This bit, when zero (0) additionally indicates that the Done bit is not valid.

- ❑ **Control Register:** A write to this register causes specific actions to be executed by the device. The actions are described in the following table.

Bit	15	14-2	1	0
Contents	A24/A32 Enable	Unused	Sysfail Inhibit	Reset

A24/A32 Enable: A one (1) in this field enables access to the device's A24 VME Bus registers. A zero (0) disables such access.

Sysfail Inhibit: A one (1) disables the device from driving the SYSFAIL\* line.

Reset: A one (1) forces the device into a reset state.

- ❑ **Offset Register:** This read/write register defines the base address of the device's A24 registers. The four most significant bits of the Offset register are the values of the four most significant bits of the device's A24 register addresses. The 12 least significant bits of the Offset register are always zero (0). Thus, the Offset register bits 15-12 map the VME Bus address lines A23-A20 for A24 register accesses. A read of the Offset register always returns the address offset most recently written to the Offset register.
- ❑ **Port Control Register:** This register is used to override the Local Bus control of the device. (This applies to HP E1433A modules that are equipped to use Local Bus). It has the following format:

Bit	15-2	1	0
Contents	Unused	LBus Pipe	LBus Enable

LBus Pipe: Writing a one (1) puts the Local Bus into pipeline mode, if the LBus Enable bit is also set. Writing a zero (0) allows the Local Bus to operate in some other mode.

LBus Enable: Writing a one (1) enables the Local Bus interface. Writing a zero (0) disables the local bus interface. RESET VALUE: 0

- ❑ **Page Map Register:** This read/write register defines the internal location of the movable window into the device's DSP bus. (This 512 kB window begins at 512 kB into the device's A24 registers.) The eight least significant bits of the Page Map register are the page number. These bits are mapped to the internal DSP bus address lines as follows:

<b>Bit 0:</b>	<b>DSP A(17)</b>
<b>Bit 1:</b>	<b>DSP A(18)</b>
<b>Bit 2:</b>	<b>DSP A(19)</b>
<b>Bit 3:</b>	<b>DSP A(20)</b>
<b>Bit 4:</b>	<b>DSP A(21)</b>
<b>Bit 5:</b>	<b>DSP A(22)</b>
<b>Bit 6:</b>	<b>DSP A(30) and A(24)</b>
<b>Bit 7:</b>	<b>DSP A(31)</b>

The eight most significant bits of the Page Map Register are always zero (0).

- ❑ **IRQ Config Register:** This register configures the first VME Bus interrupt source. It provides for selection of the VME Bus IRQ level used, and a bit mask. It has the following format:

<b>Bit</b>	<b>15-8</b>	<b>7-4</b>	<b>3</b>	<b>2-0</b>
<b>Contents</b>	<b>Mask</b>	<b>Unused</b>	<b>IRQ Enabled</b>	<b>IRQ Line</b>

**Mask:** This is a bit mask used to enable up to eight interrupt causes. A bit value of zero (0) disables the corresponding interrupt source. **RESET VALUE:** 0

**IRQ Enable:** A one (1) in this bit enables the generation of IRQ's. A zero (0) resets each of the eight interrupt causes and status bits. **RESET VALUE:** 0

**IRQ Line:** This field select which VME Bus IRQ line is driven by this device. A value of zero (0) disconnect the interrupt source. **RESET VALUE:** 0

- ❑ **IRQ Status Register:** This read-only register indicates the reason for asserting the VME Bus interrupt. The format of the data is identical to that of the Status/ID word returned by an interrupt acknowledge (IACK) cycle. It differs from the IACK cycle in that the IACK cycle will clear the status bits and cause the de-assertion of the IRQ line. The register has the following format:

Bit	15-8	7-0
Contents	Status	Logical Address

**Status:** Each of these bits indicates the status of a cause of interrupt. A one (1) in a bit position indicates that the corresponding source is actively requesting and interrupt.

**Logical Address:** This is the device's current logical address.

- ❑ **IRQ Reset Register:** This register is used to reset the interrupt function. It has the following format:

Bit	15-8	7-0
Contents	Reset Bits	Unused

**Reset Bits:** Writing a one (1) to any of these bits will clear the corresponding bit in the IRQ status register. This will not disable subsequent interrupt generation. Clearing all of the IRQ status bits will cause the de-assertion of the IRQ line. Writing a zero (0) has no effect.

- ❑ **Ram 0-1:** These are 32-bit general purpose RAM locations which are also accessible to the on-board DSP. See the following section regarding D16/D08 access of 32-bit registers.
- ❑ **Send Data Register:** Reading this register gets the next available word from the measurement data FIFO. The measurement data FIFO is a 32-bit device. See the following section regarding D16/D08 access of 32-bit registers.
- ❑ **Receive Data Register:** Writing to this register puts a word into the source data FIFO. The source data FIFO is a 32-bit device. See the following section regarding D16/D08 access of 32-bit registers.
- ❑ **Count Register:** The Count register contains an unsigned 16-bit integer which is the number of 16-bit words of data which are currently available from the Send Data register or which the Receive Data register is currently ready to accept. While a device is generating or accepting data, the Count register may indicate fewer than the actual number of words available.
- ❑ **Query Response/Command Register:** This register is used to send commands to and receive responses from the device. It is implemented as a 32-bit RAM location. Writing the least significant byte (highest address) clears the Command/Parameter Ready and Query Response Ready bits in the status register and interrupts the on-board DSP. See the following section regarding D16/D08 access of 32-bit registers and the communication protocol.

- Parameter 1-7 Registers: These are 32-bit RAM locations used to pass parameters along with commands to the device or query responses from the device. See the following section regarding D16/D08 access of 32-bit registers and the communication protocol.

### **32-bit Registers**

Several of the A16 registers (and all other 24-bit registers) are implemented as 32-bit-only resources. These are accessible using VME Bus D16 and D08(E0) accesses. However certain restrictions apply. The affected A16 registers are:

- RAM 0-1
- Send Data
- Receive Data
- Query Response Command
- Parameter 1-7

### **Reading 32-bit Registers**

When reading a 32-bit register using 8- or 16-bit modes, a simple caching mechanism is used. On any read including the most significant byte (lowest address), the 32-bit register is read and all 32-bits are latched into the read cache. A read not including the most significant byte fetches data from the read cache, without re-reading the register. This insures that the data will be unchanged by any intervening write by the DSP (which would result in garbled data).

This mechanism also introduces a hazard. Reads of less significant bytes get data from the 32-bit register last read by a most-significant-byte read. In other words, you can't read the least significant byte first, or by itself. Thus there are two important rules:

- 1 Always read all 32 bits of a 32-bit register.
- 2 Always read the most significant part first.

### **Writing 32-bit Registers**

When writing to a 32-bit register using 8- or 16-bit modes, a simple caching scheme is also employed. On any write not including the least significant byte (highest address), the data is latched into the write cache. A write to the least significant byte causes the cached data to be written to the 32-bit register (in parallel with the current data for the least significant bytes(s)).

This mechanism has its own hazards. Writes to the least significant byte will always include the most recently cached data, whether intended for that register or not. Lone writes to the most significant part of a 32-bit register will be lost if not followed by a write to the least significant part of the same register. Thus there are two important rules:

- 1 Always write all 32 bits of a 32-bit register.
- 2 Always write the least significant part last.

### **Command/Response Protocol**

The Command/Response protocol uses the following resources:

- ❑ Command/Query Response register implemented as a general purpose RAM
- ❑ Three parameter registers implemented as a general purpose RAM
- ❑ Additional A24 accessible RAM contiguous with the parameter registers
- ❑ The Command Ready, Query Response Ready, Err\*, and Done bits of the Status register.

The RAM registers are the communications media, while the Status register bits provide synchronization. In general, a controller sends a command to the DSP by first writing any parameters to the parameter registers and the following RAM location. It then writes the command to the command register, which clears the Command/Parameter Ready bit and interrupts the DSP. At this point, the DSP has exclusive access to the RAM registers. The controller may not access that RAM again until the Command/Parameter Ready bit is true.

When interrupted, the DSP reads the command and its parameters, writes any response data back to the Query Response Register and any other data to the parameter registers and the following RAM, and set the Command/Parameter Ready bit true.

The Query Response Ready bit is used to indicate that the DSP has written query data to the RAM registers. It is set by the software and cleared by a write of the Command Register.

The Done bit is set by DSP software when it finishes execution of a command or a command sequence. This may be long after it has set the Command/Parameter Ready bit. The DSP software clears the Done bit immediately on receipt of a new command, before it sets the Command/Parameter Ready bit.

The Err\* bit is asserted (to 0) by the DSP software to indicate an error in the decoding or execution of a command. It is asserted (to 1) if the command was executed with no error. This bit must be valid before Done is set at the end of a command.

In order to avoid contention and/or invalid data reads, there are certain rules that must be observed:

- 1 A controller must not write to any of the RAM registers when Command/Parameter Ready is false.
- 2 The DSP must not write to any of the RAM registers when either Command/Parameter Ready or Query Response Ready is true.
- 3 A controller must not read any of the RAM registers when Query Response Ready is false.
- 4 The DSP must not read any of the RAM registers when Command/Parameter Ready is true.
- 5 When writing a command together with parameter, a controller must always write to the Command Register last.
- 6 When executing a command that requires it to return response data, the DSP must set the Query Response Ready bit no later than the Command/Parameter Ready bit.
- 7 The DSP must not clear the Done bit while Command/Parameter Ready is true.
- 8 The DSP must not change the Err\* bit while Done is true.
- 9 A controller must not regard the done bits a valid while Command/Parameter Ready is false.
- 10 A controller must not regard the Err\* bit as valid while Done is false.

#### **Controller Protocol Examples**

There are three basic procedures used by a controller, Write Command, Read Response, and Wait for Done. These can be combined for more complex sequences.

#### **Write Command**

This is the procedure to send a command to the DSP.

- 1 Wait for Command/Parameter Ready true.
- 2 Write any parameters to the Parameter registers and RAM.
- 3 Write the command to the Command register.

#### **Read Response**

This is the procedure for reading a response to query command.

- 1 Wait for Query Response Ready true.
- 2 Read the data from the Query Response register and any additional data from the Parameter registers and RAM.



### **Wait for Done**

This is the procedure to wait for command completion and check for error.

- 1 Wait for Command/Parameter Ready true.
- 2 Wait for Done true.
- 3 If  $Err^* = 0$ , handle error.

### **Complex Sequences**

A robust procedure for sending a query and reading the response would look like this:

- 1 Send Command.
- 2 Wait for Done.
- 3 If no error then Read Response.

Multiple commands may be sent with a test for errors at the end of the sequence. This example sends three commands before checking for errors.

- 1 Send Command.
- 2 Send Command.
- 3 Send Command.
- 4 Wait for Done.

### **DSP Protocol**

When a controller writes to the Command register, a DSP interrupt is generated. When responding to this interrupt, the DSP will follow this procedure.

- 1 Clear the Done bit.
- 2 Read and decode the command from the Command register.
- 3 Read any parameters from the Parameter registers and RAM.
- 4 If a response data is required:
  - 5 a. Write the data to the Query Response register, Parameter registers, and RAM.
  - 6 b. Set Query Response Ready true.
- 7 Set Command/Parameter Ready true.
- 8 Finish command execution.
- 9 If any errors are pending set  $Err^* = 0$ , else set  $Err^* = 1$ .
- 10 Set Done true.

There are two additional requirement for the DSP:

- 1 Once it begins processing a command interrupt, the DSP must defer processing subsequent commands until it has finished.
- 2 The DSP software maintains an error(s) pending flag (and possibly an error queue) that is set by any command decoding or execution error, and cleared by some other method such as an error query.

### DSP Bus Registers

There are two 32-bit registers in the DSP bus address space. The VXI FPGA does not assert TA\* when these registers are accessed.

200A <sub>16</sub>	DSP Command Register
200B <sub>16</sub>	Boot Register

Note that these registers appear multiple times in the memory map, since only the address lines A31-30, A17-13, A9-8, and A3-0 are used for decoding.

The A24 registers are defined as follows:

- Boot Register:** This read/write register is used to configure the device after a device reset. It has the following format:

Bit	31-16	15	14	13	12	11-0
Contents	Unused	Spare	ST Done	Loaded	Ready	Model Code

**Spare:** This read/write bit has no pre-defined function.

**ST Done:** This bit should be written to a one (1) when the DSP successfully completes its self-test, within five seconds after SYSRESET\* is de-asserted. Its initial value is zero (0).

**Loaded:** This bit should be written to a one (1) when (or immediately after) the DSP loads the model code, before competing its self-test. Its initial value is zero (0).

**Ready:** This bit is written to a one (1) to indicate that the device is ready for normal operation. Its initial value is zero (0).

**Model Code:** As soon as possible, and within 25 ms after coming out of reset, when the DSP has valid code loaded, it should write the VXI model code to these bits. Their initial value is 0x0200.

- ❑ **DSP Command Register:** This register is used to assert VXI interrupts and toggle various status register bits. Many of the bits in this register are grouped into related Clock and Value pairs. This allow the bits to be modified independently with single register writes. In order to change an output value, the Clock bit must be written as a one (1), while the Value is written as the desired output value. Writing the Clock bit as a zero (0) will not change the output state. The current state is read from the Value bit.

The DSP Command register has the following format:

Bit	31-24	23	22	21	20	19	18	17	16
Contents	Unused	FIFO Enable Clock	FIFO Enable Value	FIFO In Clock	FIFO In Value	DONE Clock	DONE Value	ERRn Clock	ERRn Value

Bit	15	14	13	12	11	10	9-8	7-0
Contents	Q Resp Ready Clock	Q Resp Ready Value	Cmd Ready Clock	Cmd Ready Value	IRQ Enable Clock	IRQ Enable Value	Unused	IRQ7-0

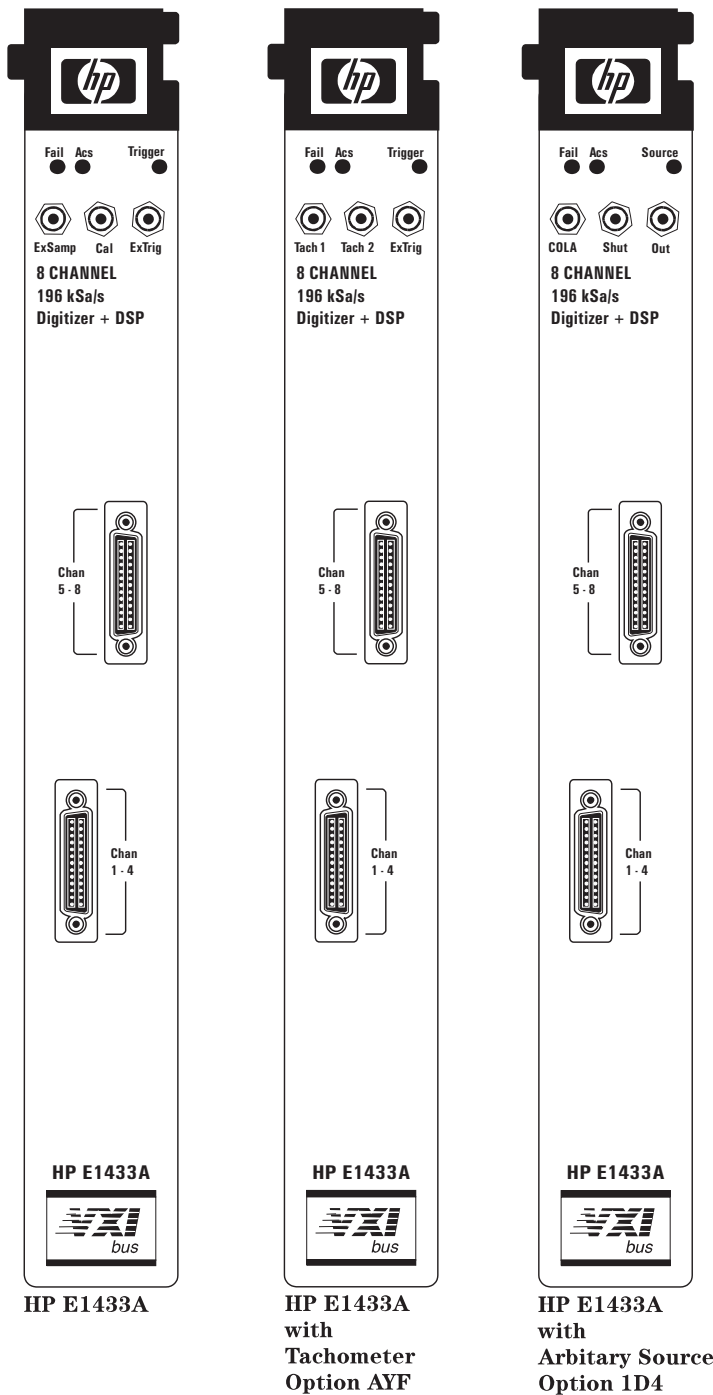


# HP E1433A

## Technical Specifications

### 8-Channel 196 kSa/sec Digitizer plus DSP

Rev. April 1999



The HP E1433A 8-Channel 196 kSa/s Digitizer plus DSP is a C-size VXI module. "196 kSa/s" refers to the maximum sample rate of 196608 samples per second per channel.

The HP E1433A may contain either one or two 4-channel input assemblies so that the module may have a total of up to 8 inputs.

This module integrates transducer signal conditioning, anti-alias protection, digitization and high speed measurement computation in a single slot VXI card. Onboard digital signal processing and up to 32 Mbytes of RAM maximizes total system performance and flexibility.

# Specifications

## Frequency

Sample Rate (Hz)	Bandwidth (Hz)	Sample Rate (Hz)	Bandwidth (Hz)	Sample Rate (Hz)	Bandwidth (Hz)
196608 <sup>1</sup>	76800	8000	3125	610.3515	238.4185
192000 <sup>1</sup>	75000	7812.5	3051.757	600	234.375
163840 <sup>1</sup>	64000	7680	3000	520.8333	203.4505
156250 <sup>1</sup>	61035.15	6666.666	2604.166	512	200
153600 <sup>1</sup>	60000	6553.6	2560	500	195.3125
133333.3 <sup>1</sup>	52083.33	6400	2500	488.2812	190.7348
131072 <sup>1</sup>	51200	6250	2441.406	480	187.5
128000 <sup>1</sup>	50000	6144	2400	416.6666	162.7604
125000 <sup>1</sup>	48828.125	6000	2343.75	409.6	160
122880 <sup>1</sup>	48000	5120	2000	400	156.25
102400 <sup>1</sup>	40000	5000	1953.125	390.625	152.5878
100000 <sup>1</sup>	39062.5	4915.2	1920	384	150
98304 <sup>1</sup>	38400	4882.812	1907.348	375	146.4843
96000 <sup>1</sup>	37500	4800	1875	320	125
81920 <sup>1</sup>	32000	4166.666	1627.604	312.5	122.0703
78125 <sup>1</sup>	30517.57	4096	1600	307.2	120
76800 <sup>1</sup>	30000	4000	1562.5	305.1757	119.2092
66666.66 <sup>1</sup>	26041.66	3906.25	1525.878	300	117.1875
65536 <sup>1</sup>	25600	3840	1500	260.4166	101.7252
64000 <sup>1</sup>	25000	3333.333	1302.083	256	100
62500 <sup>1</sup>	24414.06	3276.8	1280	250	97.65625
61440 <sup>1</sup>	24000	3200	1250	244.1406	95.36743
51200 <sup>1</sup>	20000	3125	1220.703	240	93.75
50000 <sup>1</sup>	19531.25	3072	1200	208.3333	81.38020
49152 <sup>1</sup>	19200	3000	1171.875	204.8	80
48000 <sup>1</sup>	18750	2560	1000	200	78.125
40960	16000	2500	976.5625	195.3125	76.29394
39062.5	15258.78	2457.6	960	192	75
38400	15000	2441.406	953.6743	187.5	73.24218
33333.33	13020.83	2400	937.5	160	62.5
32768	12800	2083.333	813.8020	156.25	61.03515
32000	12500	2048	800	153.6	60
31250	12207.03	2000	781.25	152.5878	59.60464
30720	12000	1953.125	762.9394	150	58.59375
25600	10000	1920	750	130.2083	50.86263
25000	9765.625	1666.666	651.0416	128	50
24576	9600	1638.4	640	125	48.82812
24000	9375	1600	625	122.07031	47.68371
20480	8000	1562.5	610.3515	120	46.875
19660.8	7680	1536	600	104.1666	40.69010
19531.25	7629.394	1500	585.9375	102.4	40
19200	7500	1280	500	100	39.0625
16666.66	6510.416	1250	488.28125	97.65625	38.14697
16384	6400	1228.8	480	96	37.5
16000	6250	1220.703	476.8371	93.75	36.62109
15625	6103.515	1200	468.75	80	31.25
15360	6000	1041.666	406.9010	78.125	30.51757
13333.33	5208.333	1024	400	76.8	30
13107.2	5120	1000	390.625	76.29394	29.80232
12800	5000	976.5625	381.4697	75	29.29687
12500	4882.812	960	375	65.10416	25.43131
12288	4800	833.3333	325.5208	64	25
12000	4687.5	819.2	320	62.5	24.41406
10240	4000	800	312.5	61.0351	23.84185
10000	3906.25	781.25	305.1757	60	23.4375
9830.4	3840	768	300	52.08333	20.34505
9765.625	3814.697	750	292.9687	51.2	20
9600	3750	640	250	50	19.53125
8333.33	3255.208	625	244.1406	48.82812	19.07348
8192	3200	614.4	240	46.875	18.31054

Frequency (continued)

Sample Rate (Hz)	Bandwidth (Hz)	Sample Rate (Hz)	Bandwidth (Hz)	Sample Rate (Hz)	Bandwidth (Hz)
40	15.625	6.510416	2.543131	1.017252	0.3973642
39.0625	15.25878	6.4	2.5	1	0.390625
38.4	15	6.25	2.441406	0.976562	0.3814697
38.14697	14.90116	6.103515	2.384185	0.953674	0.3725290
37.5	14.64843	6	2.34375	0.9375	0.3662109
32.55208	12.71565	5.859375	2.288818	0.813802	0.3178914
32	12.5	5	1.953125	0.8	0.3125
31.25	12.20703	4.882812	1.907348	0.78125	0.3051757
30.51757	11.92092	4.8	1.875	0.762939	0.2980232
30	11.71875	4.768371	1.862645	0.75	0.2929687
26.04166	10.17252	4.6875	1.831054	0.732421	0.2861022
25.6	10	4.069010	1.589457	0.625	0.2441406
25	9.765625	4	1.5625	0.610351	0.2384185
24.41406	9.536743	3.90625	1.525878	0.6	0.234375
24	9.375	3.814697	1.490116	0.585937	0.2288818
23.4375	9.155273	3.75	1.464843	0.5	0.1953125
20	7.8125	3.255208	1.271565	0.476837	0.1862645
19.53125	7.629394	3.2	1.25	0.46875	0.1831054
19.2	7.5	3.125	1.220703	0.4069010	0.1589457
19.07348	7.450580	3.051757	1.192092	0.4	0.15625
18.75	7.324218	3	1.171875	0.390625	0.1525878
16.27604	6.357828	2.929687	1.144409	0.3814697	0.1490116
16	6.25	2.5	0.9765625	0.375	0.1464843
15.625	6.103515	2.441406	0.9536743	0.3125	0.1220703
15.25878	5.960464	2.4	0.9375	0.3051757	0.1192092
15	5.859375	2.384185	0.9313225	0.3	0.1171875
13.02083	5.086263	2.34375	0.9155273	0.2929687	0.1144409
12.8	5	2.034505	0.7947285	0.25	0.0976562
12.5	4.882812	1.953125	0.7629394	0.2384185	0.0931322
12.20703	4.768371	1.907348	0.7450580	0.234375	0.0915527
12	4.6875	1.875	0.7324218	0.2034505	0.0794728
11.71875	4.577636	1.627604	0.6357828	0.2	0.078125
10	3.90625	1.6	0.625	0.1953125	0.0762939
9.765625	3.814697	1.5625	0.6103515	0.1907348	0.0745058
9.6	3.75	1.525878	0.5960464	0.1875	0.0732421
9.536743	3.725290	1.5	0.5859375	0.15625	0.0610351
9.375	3.662109	1.464843	0.5722045	0.1525878	0.0596046
8.138020	3.178914	1.25	0.4882812	0.15	0.0585937
8.3.125		1.220703	0.4768371	0.1464843	0.0572204
7.8125	3.051757	1.2	0.46875		
7.629394	2.980232	1.192092	0.4656612		
7.5	2.929687	1.171875	0.4577636		

<sup>1</sup> These sample rates also have available bandwidths that are 1.15 times the bandwidth of this table.

Frequency Accuracy

± 0.012% (120 ppm)

## Input

---

**Full Scale Input Ranges** (in volts peak) 5 mV to 10 V (1, 2, 5 steps)

---

**Maximum Input Level** 42 V<sub>p</sub>

---

### Input Impedance

(dc coupled or ac coupled above 10 Hz)

Differential 2 M $\Omega$  nominal  
Either side-to-chassis 1 M $\Omega$  nominal

---

**Programmable AC Coupling 3 dB Corner Frequency** 1 to 100 Hz

[2 pole, 12 dB/oct.]

---

### Common Mode Rejection Ratio

ac or dc coupled, 10 Hz to 1 kHz > 70 dB  
Maximum signal, low side to chassis  $\pm 10$  V<sub>pk</sub>  
Maximum signal, high side to chassis ( $V_T = 0$ )  $\pm 11.5$  V<sub>p</sub>  
Maximum signal, high side to chassis  $V_T \pm 10$  V<sub>pk</sub> (must be  $\leq 20$  V)  
( $V_T$  = transducer offset cancellation voltage setting)

---

### Amplitude Over-Range Detection

Common mode overload  $\pm 11.5$  V<sub>p</sub> (typical)  
Differential mode overload (dc coupled) 105% of full scale  
Differential mode overload (ac coupled)  
for cutoff frequency  $\leq 6$  Hz 100% of full scale  
for cutoff frequency  $> 6$  Hz 50% of full scale, worst case

---

**Residual DC** 1% of full scale + 2 mV

---

## Amplitude

---

**Amplitude Accuracy at 1 kHz**  $\pm 0.5\%$  of reading,  $\pm 0.01\%$  of full scale

---

### Flatness (relative to 1 kHz, at full scale)

< 29 kHz  $\pm 1\%$  ( $\pm 0.09$  dB)  
< 88 kHz  $\pm 2\%$  ( $\pm 0.17$  dB)

---

**Amplitude Resolution** 16 bits, less 5 dB over-range

---

## Cross Channel Matching (any HP E1433A module in the same mainframe)

---

### Cross Channel Amplitude Match

(full-scale signal, input ranges equal)  
up to 29 kHz  $\pm 0.1$  dB  
29 kHz to 88 kHz  $\pm 0.2$  dB

---

### Cross Channel Phase Match

(full-scale signal, input ranges equal)  
ac coupled (freq  $> 2 \times$  AC HPF corner freq)  
to 750 Hz  $\pm 0.9^\circ$   
750 Hz to 88 kHz  $\pm (f/22000)^\circ$   
dc coupled  
10 Hz to 88 kHz  $\pm (f/22000)^\circ$   
at 1 kHz  $\pm 0.045^\circ$



## Dynamic Range

---

**Resolution** 16 bits

---

### Spurious Free Dynamic Range\*

(includes spurs, harmonic distortion, intermodulation distortion, alias products and sidebands > 300 Hz)

(source impedance = 50  $\Omega$ )

51.2 kSa/s $F_s$ , $\leq 1$ Vpk	< -90 dBfs (typical)
48 kSa/s to 65.536 Sa/s $F_s$	< -80 dBfs
above 65.536 Sa/s $F_s$	< -74 dBfs

---

**Crosstalk** < -80 dBfs (typical)

(receiving channel source impedance = 50  $\Omega$ , low side grounded, full scale, < 10 kHz signal on other channels, input ranges within 20 dB)

---

**Noise** (input terminated with 50  $\Omega$ , 5 mV range)

Noise density above 100 Hz	< 70 nVrms/ $\sqrt{\text{Hz}}$
Total rms noise, 10 Hz to 10 kHz	< 7 $\mu$ Vrms

---

## Trigger

---

**Trigger Detection** Digital

---

**Trigger Modes** Input, external, source, TTL TRG, software, RPM (requires option AYP)

---

### Max Trigger Delay

(8 channels active)

Pre-trigger delay	262 kSa (4 MB RAM), 2 MSa (32 MB RAM)
Post-trigger delay	16 MSa

\* 5 mV range degrades 4 dB.

# Option 1D4 Arbitrary Source Specifications

## General

---

**Output Modes** Sine and pseudo random with burst , arbitrary waveform with continuous output

---

### Frequency Bands

#### Sine, noise modes

Reconstruction filter bandwidth 0 to 25.6 kHz  
 DSP data rate (Fs) 48.00 kHz to 65.536 kHz  
 Data word size 16 bits

#### Arb modes

Reconstruction filter bandwidth 0 to 6.4 kHz  
 Data word size 20 bits

---

**Frequency Accuracy** ± 0.012% (120 ppm)

## Signal Output

---

**Number of Output Channels** 1

---

**Maximum Amplitude** 10 Vp nominal

---

**Output Impedance** < 0.5 Ω (typical)

---

**Maximum Output Current** 100 mA (typical)

---

**Maximum Capacitive Load** 0.01 μF (typical)

---

### Amplitude Control

(signal amplitude = range × scale factor)

Maximum amplitude 10 Vp nominal  
 Amplitude ranges 79 mVp to 10 Vp in 0.375 dB steps  
 Amplitude scale factor 0.0 to 1.0, with 20-bit resolution

---

### Residual Output Noise Voltage

(Freq > 500 Hz) < 500 nV/√Hz

---

### Residual DC Offset

Offset after autozero ± 2 mV  
 Offset after shutdown ± 20 mV  
 Zeroing resolution 100 μV

---

**Output Overload Trip** > 17 V

---

**Amplitude Ramp-down Time (Programmable)** 0 to 30 seconds

---

### Shutdown

Shutdown input TTL levels  
 Shutdown time < 5 s  
 Shutdown time, ac fail < 4 ms

## Sine Output Mode

---

### Sine Frequency (65536 Hz Fs)

Frequency range	0 to 25.6 kHz
Frequency resolution	244 $\mu$ Hz

---

### Amplitude Accuracy

(1 kHz sine wave, into  $\geq 200 \Omega$ )

10 Vp to 0.158 Vp ranges	$\pm 0.20$ dB (2.3 %)
0.152 Vp to 79 mVp ranges	$\pm 0.40$ dB (4.7 %)

---

Flatness (relative to 1 kHz)	$\pm 0.5$ dB
------------------------------	--------------

---

### Harmonic and Aliased-harmonic Distortion

( $\geq 1 \text{ k}\Omega$  load)

1 Vp range, 1.0 scale factor, 0 to 6.4 kHz	$< -80$ dBc
2 to 10 Vp range, 0.05 to 1.0 scale factor, 0 to 25.6 kHz	$< -70$ dBc

---

Spurious responses	$< -60$ dBVp
--------------------	--------------

---

## Constant Level Output

---

### Output Level at 1 kHz

(after 1 second settling, amplitude scale factor $> 0.001$ )	1 Vp (nominal)
--	----------------

---

Output Impedance	1.2 $\text{k}\Omega$ (typical)
------------------	--------------------------------

---

### Flatness

25 Hz to 5 kHz, amplitude scale factor 0.001 to 1.0	1.13 Vp to 0.50 Vp (+10, -6.0 dB) (typical)
5 Hz to 20 kHz, amplitude scale factor 0.01 to 1.0	1.13 Vp to 0.44 Vp (+10, -7.0 dB) (typical)
5 Hz to 20 kHz, amplitude scale factor 0.1 to 1.0	1.13 Vp to 0.88 Vp ( $\pm 1.0$ dB) (typical)

---

Sine Wave Distortion	$-40$ dBc (typical)
----------------------	---------------------

---

(at 1 kHz, amplitude scale factor 0.1 to 1.0)

Residual dc Offset	$< 5$ mV (typical)
--------------------	--------------------

---

## Summer Input

---

Maximum Input Level	10 Vp
---------------------	-------

---

Gain, Summer Input to Signal Output	$0 \pm 0.5$ dB at 1 kHz
-------------------------------------	-------------------------

---

Input Impedance	$> 10 \text{ k}\Omega$ (typical)
-----------------	----------------------------------

---

Flatness, dc to 25.6 kHz	$\pm 0.5$ dB (typical)
--------------------------	------------------------

---

Sine Wave Distortion	$-80$ dBc (typical)
----------------------	---------------------

---

Residual dc Offset	1 mV (typical)
--------------------	----------------

---

# Option AYF Tachometer Input Specifications

## General

---

Option AYF, Tachometer Input, provides two tachometer inputs. When this option is installed, 2 of the 3 SMB connectors on the VXI module are used for tachometer inputs. When this option is not installed, these connectors are normally used for "External Sample" and "Trigger."

Each tachometer input has a programmable trigger level. Each tach pulse causes a "Tach Edge Time" to be recorded in a 16384-word FIFO. A "Tach Edge Time" is the instantaneous value of the 32-bit "Tach Counter". A "Decimate" number can be set to ignore a number of tach pulses before recording each Tach Edge Time. A "Holdoff" time can be set to avoid false triggering due to ringing.

One of the tachometer inputs can be programmed for use as a trigger input rather than a tachometer input. In this mode, the tachometer option can trigger the system and measure the time between the trigger and the next sample clock edge.

The analog signal from either of the Tachometer inputs can be routed to an input channel using the internal calibration path.

---

<b>Tach Counter</b>	32-bit counter with roll-over detector bit
<b>Decimate Counter</b>	16-bit counter
<b>Input Signal Trigger Level (typical)</b>	
Voltage Range	- 25 V to + 25 V
Resolution, levels < ± 5V	40 mV
Resolution, levels > ± 5V	200 mV
Hysteresis, levels < ± 5V	0 to 250 mV
Hysteresis, levels > ± 5V	0 to 1.25 mV
Slope	Programmable, positive or negative
<b>Input Signal Timing</b>	
Minimum pulse width	5 μs
Maximum pulse rate	100 kHz
Trigger holdoff	1 to 65536 clock periods
<b>Input Impedance</b>	20 kΩ (typical)

---

## Features

---

### VXI Standard Information

Conforms to VXI revision 1.4  
C-size, single slot width  
Register-based programming  
"Slave" Data Transfer Bus functionality  
A24 address capability  
D32 data capability  
Optional Local Bus capability  
SUMBUS driver and receiver  
Requires 2 or 4 TTLTRG\_ lines for multi-module synchronization

---

### Signal Processing

33 MHz Motorola 96002 DSP  
2 banks of 128 K word static RAM  
4 M bytes dynamic RAM (32 M bytes with option ANC)  
128 K bytes Flash ROM  
Direct Memory Access (DMA) data transfer

---

## Software Drivers

### Driver Type

C libraries with source code

---

### Supported Operating Systems

Microsoft Windows 95 and NT®, and HP-UX 10.20

---

### Supply Media

CD-ROM

---

### VXI Plug & Play Compliance

C libraries support MS Windows 95 and NT, and HP-UX.

HP-UX 10.X for HP 9000  
Series 700 and 800 computers are  
X/Open Company UNIX 93  
branded products.

MS Windows is a U.S. registered  
trademark of Microsoft Corporation.

## Regulatory Compliance

---

<b>Safety Standards</b>	Designed for compliance to: UL 1244, 4th Edition IEC 348, 2nd Edition, 1978 CSA C22.2, No. 231
<b>Radiated Emissions</b> (tested in a "typical" system configuration, consisting of an HP E1401B Mainframe, HP V743 Controller, and HP E1432A module with option 1D4 or AYP)	CISPR 11: 1990, Group 1, Class A (requires connector shields HP E1400-80920 or HP E1421-80920)  Tested for compliance to the European Economic Area's EMC directive
<b>Electrostatic Discharge</b>	Tested for compliance to the European Economic Area's EMC directive
<b>Radiated Immunity</b>	Tested for compliance to the European Economic Area's EMC directive

## Environmental

---

### Operating Restrictions

Ambient Temperature	0° to 50°C
Humidity, Non-condensing	20% RH to 90% RH at 40°C
Maximum Altitude	4600 meters (15,000 feet)

### Storage and Transport Restrictions

Ambient Temperature	- 20° to 65°C
Humidity, Non-condensing	20% RH to 90% RH at 40°C
Maximum Altitude	4600 meters (15,000 feet)

## General Characteristics

---

### VXI Power Requirements

### dc Current

No options installed

+5.0 V	5.50 A
+12.0 V	0.56 A
-12.0 V	0.05 A
+24.0 V	0.44 A
-24.0 V	0.42 A
-5.2 V	0.95 A
-2.0 V	0.01 A

Tachometer option installed (AYF)

+5.0 V	0.14 A
+12.0 V	0.00 A
-12.0 V	0.00 A
+24.0 V	0.10 A
-24.0 V	0.06 A
-5.2 V	0.00 A
-2.0 V	0.00 A

Source option installed (1 D4)

+5.0 V	0.60 A
+12.0 V	0.19 A
-12.0 V	0.18 A
+24.0 V	0.03 A
-24.0 V	0.03 A
-5.2 V	0.00 A
-2.0 V	0.00 A

### Dynamic Current

+5.0 V	0.20 A
+12.0 V	0.02 A
-12.0 V	0.01 A
+24.0 V	0.01 A
-24.0 V	0.01 A
-5.2 V	0.02 A
-2.0 V	0.01 A

---

### VXI Cooling Requirements

5.08 liters/second  
0.51 mm H<sub>2</sub>O

---

### Warm-up Time

15 minutes

## Performance Benchmarks

Because these performance benchmarks depend on the software and hardware configuration, they are included as supplemental, non-warranted characteristics.

### VXI Data Transfer Rate (P1 connector)

From HP E1433A DRAM to VXI V743 Controller	6.5 MB/s
From HP E1433A DRAM to MXI to external HP Series 700 Controller	1.5 MB/s
From HP E1433A DRAM to VXLink interface	345 kB/s
From HP E1433A DRAM to E6233A Pentium Controller	1.6 MB/s
From HP E1433A DRAM to National MXI-2 to external 200 MHz Pentium Pro	1.2 MB/s

### Local Bus Data Transfer Rate

From HP E1433A DRAM, one block, during continuous acquisition.	15.7 MB/s
From HP E1433A's DRAM to HP E1562D	5 MB/s to 7.8 MB/s
From HP E1433A's DRAM to HP E1562E	10 MB/s to 15.7 MB/s
Maximum number of input channels for continuous throughput at 196 kSa/s sample rate	40 channels

### FIFO Memory

(Maximum FIFO size, 4MB DRAM installed)	2 MSa/number active channels (standard)
(Maximum FIFO size, 32 MB DRAM installed)	16 MSa/number active channels (opt. ANC)

## Specification Note

Specifications describe warranted performance over the temperature range of 0° to 50°C, after a 15-minute warm-up from ambient conditions. Supplemental characteristics identified as "typical", provide useful information by giving non-warranted performance parameters. Typical performance is applicable from 20° to 30°C.

## Abbreviations

**F<sub>s</sub>** = sample rate of ADC.  
**F<sub>c</sub>** = cut off frequency of high pass or low pass filters.  
**dB<sub>f</sub>s** = dB relative to full scale amplitude range.  
**dB<sub>c</sub>** = dB relative to carrier amplitude.  
**Typical** = typical, non-warranted, performance specification included to provide general product information.

## Warranty Information

The HP E1433A comes with a 3-yr warranty. During that period, the unit will either be replaced or repaired, at HP's option, and returned to the customer without charge. There is an option available at extra cost which extends the repair support to five years.

## For More Information

[www.hp.com/go/data\\_acq](http://www.hp.com/go/data_acq)

HP E1432/33/34A  
Product Overview  
5965-9834E

For more information on Hewlett-Packard test & measurement products, applications, services, and for a current sales office listing, visit our web site, <http://www.hp.com/go/tmdir>. You can also contact one of the following centers and ask for a test and measurement representative.

### United States:

Hewlett-Packard Company  
Test and Measurement Call Center  
P.O. Box 4026  
Englewood, CA 90155-4026  
1 800 452 4844

### Canada:

Hewlett-Packard Canada Ltd.  
5150 Spectrum Way  
Mississauga, Ontario  
L4W 5G1  
Tel: (905) 206 4725

### Europe:

Hewlett-Packard  
European Marketing Centre  
P.O. Box 999  
1180 AZ Amstelveen  
The Netherlands  
Tel: (31-20) 547-9900

### Japan:

Hewlett-Packard Japan Ltd.  
Measurement Assistance Center  
9-1, Takakura-Cho, Hachioji-Shi,  
Tokyo 192, Japan  
Tel: (81-426) 56-7832  
Fax: (81-426) 56-7840

### Latin America:

Hewlett-Packard  
Latin American Region Headquarters  
5200 Blue Lagoon Drive 9th Floor  
Miami, Florida 33126 U.S.A.  
Tel: (305) 267-4245/4220  
Fax: (305) 267-4288

### Australia/New Zealand:

Hewlett-Packard Australia Ltd.  
31-41 Joseph Street  
Blackburn, Victoria 3130  
Australia  
Tel: 1 800 629 485

### Asia Pacific:

Hewlett-Packard Asia Pacific Ltd  
17-21/F Shell Tower, Times Square,  
1 Matheson Street, Causeway Bay,  
Hong Kong  
Tel: (852) 2599-7777  
Fax: (852) 2506-9285

Data is subject to change  
Copyright ©1996, 1997, 1999 Hewlett-Packard Co.  
Printed in USA 4/99  
5963-9652E



---

## Glossary

### **A16 registers**

Address space using 16 address lines. The VXI definition gives each VXI module 64 bytes of A16 registers.

### **A24 registers**

Address space using 24 address lines. VXI modules can configure how much A24 address space they use.

### **arbitrary source**

A signal source capable of producing an arbitrary waveform according to the way it is programmed.

### **arbitration bus**

See DTB arbitration bus.

### **ASCII**

American Standard Code for Information Interchange, a standard format for data or commands.

### **backplane**

A set of lines that connects all the modules in a VXI system.

### **baseband**

A band in the frequency spectrum that begins at zero. In contrast a zoomed band is centered on a specified center frequency.

### **block mode**

A mode of data-collecting used in instruments such as the HP E1431A. The instrument stops taking data as soon as a block of data has been collected. Overlap block mode in the HP E1432A and HP 1433A can be configured to act exactly like block mode.

### **block size**

The number of sample points in a block of data.

### **breakout box**

Another name for the 8-channel input connector.

### **C-Library (interface library)**

A library of functions, written in C language, which can be used to operate the HP E1432A and HP E143A.

**C-size**

One of several possible sizes for VXI modules. The HP E1432A and HP E1433A are C-size modules.

**channel-dependent commands**

Commands that are channel-dependent change a parameter for each channel independently.

**COLA**

Constant Output Level Amplifier.

**continuous mode**

A mode of data-collecting used in the HP E1432A, the HP E1433A, and in other instruments such as the HP E1431A. The instrument collects data continuously and stops only if the FIFO overflows.

**D32, D16, and D08 (EO)**

The VXI Bus provides 32 data lines. Modules can use all 32 lines, or 16 lines, or 8 lines. For example, "D16 access" refers to data read across 16 lines.

**daisy-chain**

A set of instruments or modules connected together in a line. Data and instructions enter each one before being buffered and passed out to the next module in line.

**decimation filter**

A digital filter that simultaneously decreases the bandwidth of the signal and decreases the sample rate. The digital filter provides alias protection and increases frequency resolution. For more information, see *Spectrum & Network Measurements* available through your Hewlett-Packard Sales Office.

**delta sigma**

A method for converting an analog input to digital data. It involves using a difference of two voltages (delta) and a summation of signals (sigma) to improve accuracy.

**digitizer**

An instrument which converts analog signals into digital data suitable for digital signal processing.

**DRAM**

Dynamic Random Access Memory.

**DSP**

Digital Signal Processing.

**DTB arbitration bus**

The HP E1432A does not use the arbitration bus. The arbitration bus is part of the VXI specification and is used by some modules to request bus control.

**ECL**

Emitter-Collector Logic, a standard for electrical signals.

**Engineering Unit (EU)**

A scale factor used to convert the output of a transducer (in volts) into another unit (for example: g's).

**FFT**

Fast Fourier Transform.

**FIFO**

First-In First-Out. A buffer and controller used to transmit data. The FIFO in the HP E1432A/HP E1433A input is implemented using DRAM.

**freerun counter**

A counter in which the bits always increment. When the freerun counter reaches all ones it resets to all zeros and continues counting.

**F<sub>s</sub>**

Sample Frequency or sample rate.

**group ID**

Any number of channels may be declared and uniquely identified by a groupID. A channel can be a member of more than one group.

**holdoff time**

A circuit that detects a trigger signal will not respond to another trigger until the holdoff time has passed. This prevents a ringing signal from being detected as multiple triggers.

**HP VEE**

A Hewlett-Packard program for graphical programming.

**IACK**

Interrupt ACKnowledge.

**ICP**

Integrated-Circuit Piezo-electric transducer.

**IRQ**

Interrupt ReQuest.

**kSa/s**

Kilo-Samples per second.

**LED**

Light Emitting Diode.

**Local Bus**

A high-speed port that Hewlett-Packard has defined as a standard byte-wide ECL protocol which can transfer measurement data at up to 2.62 Msamples per second from left to right on the VXI backplane.

**logical address**

The VXI logical address identifies where each module is located in the memory map of the VXI system.

**message-based VXI device**

Message-based devices communicate with the VXI Bus using high-level ASCII commands. Programming is easier and more sophisticated, but communication is slower than with register-based devices. Message-based devices can also be programmed at the register level. The HP E1432A and HP E1433A are register-based VXI devices.

**module-dependent commands**

Commands that are module-dependent change a parameter for all channels of the module; even when only one channel has been specified in the channel list.

**MXI bus**

A bus standard which can be used to connected multiple VXI mainframes.

**overlap block mode**

A mode of data-collecting in used in the HP E1432A and HP E1433A. It is similar to block mode except that it allows additional arms and triggers to occur before an already-acquired block is sent to the host.

**pipeline mode**

A Local Bus mode in which data is sent through a module and on to the next one.

**Plug&Play**

See VXIplug&play

**RAM**

Random Access Memory.

**register-based VXI device**

Register-based devices communicate with the VXI Bus by way of registers. They must be programmed with low-level binary commands but they can communicate faster than message-based devices. The HP E1432A and HP E1433A are register-based VXI devices.

**registers**

Memory locations in the hardware of a VXI module which can be used to program the module at a low level.

**RPM**

Revolutions Per Minute.

**ROM**

Read-Only Memory

**SCA**

Signal Conditioning Assembly. An example is the 4-channel input assemblies used in the HP E1432A (also called Vibrato).

**sample rate**

The rate at which the measurement data is sampled. For the HP E1432A, the sample rate is 2.56 times the frequency span. Sample rate is abbreviated "Fs" (for "sample Frequency").

**settling**

When settling, the digital filter waits a designated number samples before outputting any data.

**SFP**

see Soft Front Panel

**shared memory**

Memory locations in both a VXI module and in a host or controller which are shared and can be used to transmit data between the host and module.

**slot 0 commander**

The module which occupies the left-most slot in a VXI mainframe. It supplies important signals for the rest of the system.

**SMB**

Sub-Miniature "B"; a type of connector.

**Soft Front Panel (SFP)**

A VXIplug&play program which provides an easy-to-use interface for the HP E1432A. It can be used in Microsoft Windows 95 or Windows NT.

**SRAM**

Static Random Access Memory.

**summer**

A circuit that outputs the sum of two input signals.

**sync/trigger line**

A TTL line on the VXI back plane, used for synchronization or triggering signals.

**SYSRESET\***

SYStem RESET line, part of the VXI Bus.

**system module**

The module with the lowest VXI logical address. It needs to be set to output the synchronization pulse for a multiple module group. All system sync pulses come from the system module.

**tachometer**

The tachometer produces a signal which is proportional to the rotation of a device. It can be programmed to produce one or more signals per revolution.

**target**

The 'target' of a library function is either a channel, a group, or (rarely) a module, depending on the nature of the call. When the same library function may be called with either a channel or a group identifier, its 'target' is shown by a parameter named ID.

**TTL**

Transistor-Transistor Logic, a standard for electrical signals.

**TTLTRG**

TTL TRiGger lines, part of the VXI Bus.

**VEE**

See HP VEE

**VME Bus**

An industry-standard bus on the VXI backplane for module control, setup and measurement data transfers. For measurement data transfers, the Local Bus offers higher transfer rates.

**VXI**

VME Extensions for Instrumentation, a standard specification for instrument systems.

**VXIplug&play**

A set of standards which provides VXI users with a level of standardization across different vendors beyond what the VXI standard specifications spell out.

**zoom**

In instruments that support zoom you can select a frequency span around a specified center frequency so you can focus on a specific frequency band.





---

# INDEX

---

## !

- 32-bit registers A-10
  - writing A-10
- 4-channel input 4-7, 4-10, 7-2
- 8-channel input 5-7, 6-5, 7-5
- 8-channel input (break out box) 8-3

## A

- A-bus 5-10
- A16 address space 5-10
- A16 registers 5-12, A-2
- A24 address space 5-10
- A24 registers 5-11, A-4
- A32 address space 5-10
- AC/DC coupling 5-2
- access LED 5-7, 6-5, 7-5
- acs LED 5-7, 6-5, 7-5
- address space 5-10
- amplifier, constant output level 6-2
- arbitrary mode 6-2
- arbitrary output 5-2, 6-2
- arbitrary source
  - block diagram 6-3
  - connectors 6-5
  - front panel 6-4
  - LED's 6-5
- arbitrary source firmware 6-5
- arbitrary source option 6-2
- arm 3-27, 4-22
- ARM state 3-25 - 3-26, 4-20 - 4-21
- assembly
  - removing A1/A11 10-23
  - removing A2 10-18
  - removing A22/A24 10-22
  - removing A41 10-21
  - removing A5 10-20
  - replaceable parts 10-5, 10-7, 10-9
- assistance (rear of manual)
- auto arm 3-27, 4-22
- auto trigger 3-27, 4-22
- auto-zero 5-15

## B

- B-bus 5-10
- backdating 11-2
- backplane connections 5-8
- base sample rate 3-17
- baseband 3-17
- block diagram 5-10
  - arbitrary source 6-3
  - HP E1433A 5-3
  - tachometer 7-3
- block mode 3-30 - 3-31, 4-24 - 4-25
- block size 5-2
- BOOTED state 3-24 - 3-25, 4-19 - 4-20
- BOOTING state 3-24 - 3-25, 4-19 - 4-20
- bound mode 3-29
- break out box 8-3
  - grounding 8-4
  - ICP 8-3 - 8-4
  - voltage 8-3 - 8-4
- break out box cable 8-5
- breakout box 5-7, 6-5, 7-5
- bsrcrand.vee (example program) 2-16
- bsrcsine.vee (example program) 2-16
- burst mode 6-2
- burst source random 2-16
- burst source sine 2-16
- Bus
  - A 5-10
  - B 5-10
  - data transfer 5-8
  - DTB 5-8
  - local 5-9
  - priority interrupt 5-8
  - utility 5-8
  - VME 5-9
  - VXI 3-9, 4-12, 5-10, 5-14

## C

- C library example programs 2-17
- C-Language Library 2-2, 3-2
- cable part numbers 10-10 - 10-12

- cable, break out box 8-5
- Cal 5-7
- cal connector 5-15
- calibration 5-15
- channel group 3-7
- channel ID 3-34, 4-4, 4-10, 4-29
- clock 3-23, 4-18
  - external sample 5-14
- COLA 6-2, 6-5
- command/response protocol A-11
- complex sequences A-13
- configuration, hardware 3-7
- conformity, declaration of (rear of manual)
- connectors
  - Cal 5-7
  - COLA 6-5
  - ExSamp 5-7
  - ExTrig 5-7, 7-5
  - input 5-7, 6-5, 7-5
  - Shut 6-5
  - Tach1 7-5
  - Tach2 7-5
- connectors SMB 5-7, 6-5, 7-5
- constant output level amplifier 6-2, 6-5
- continuous mode 3-30 - 3-31, 4-24 - 4-25
- control
  - measurement 3-23, 4-18
- control register A-7
- controller protocol examples A-12
- count division 7-3
- count register A-9
- coupling 5-2
- covers
  - part numbers 10-5, 10-7, 10-9
  - removing 10-14
- create group 3-7 - 3-8, 4-11
- current RPM value 5-2

## **D**

- D32 5-2
- data
  - transfer bus 5-8
  - transferring 5-9
- data buffer 5-2
- data flow diagram 3-15
- data transfer modes 3-30, 4-24
- decimation 5-2
- declaration of conformity (rear of manual)

- default logical address 1-4
- default values, parameters 4-5
- delete group 3-7
- demo programs 2-17
  - SEE ALSO example programs
- detect.c (example program) 2-17
- device
  - message-based A-2
  - register-based A-2
- device type register A-5
- devices, setting up 2-6
- diagnostics 9-2
- disassembly 10-14
- display button (SFP) 2-9
- distribution (DAT tape) 2-4
- division
  - input count 7-3
- dll file 3-6
- done, wait for A-13
- DRAM 3-15, 5-10
- driver
  - VXIplug&play 2-4, 2-6, 3-3, 3-6
- DSP bus registers A-14
- DSP command register A-15
- DSP protocol A-13
- DTB arbitration bus 5-8
- dynamic configuration protocol A-5
- Dynamic RAM 5-10

## **E**

- eight-channel input
  - SEE 8-channel input
- error messages 4-2
- errornumbers 4-2
- exact RPM triggering 7-2
- example programs
  - C library 2-17
  - SEE ALSO demo programs
  - HP VEE 2-10
  - Visual Basic 2-19
- example.c (example program) 2-17
- exit button (SFP) 2-9
- ExSamp 5-7
- external access 5-10
- external sample clock 5-14
- external shutdown 6-2
- external trigger 3-27, 4-22, 5-13 - 5-14, 7-2
- external trigger input 7-2
- ExTrig 5-7, 7-5

**F**

failed LED 5-7, 6-5, 7-5  
 features 5-2  
 FIFO architecture 3-15  
 files  
   header 3-6, 4-3  
   library 3-6, 4-3  
 find module 3-7  
 firmware, source 6-5  
 FP file 3-6  
 free-running clock line 5-13  
 frequency response function random  
   2-16  
 frequency, external clock 5-14  
 frf\_rand.vee (example program) 2-16  
 front panel 5-5 - 5-7, 6-5, 7-5  
   arbitrary source 6-4  
   part numbers 10-13  
   removing 10-15  
 function reference  
   SEE HP E1433A Function Reference  
 functions  
   initialization 3-38

**G**

general features 5-2  
 getting started 2-2  
 global parameters 4-5  
 glossary (rear of manual)  
 go button (SFP) 2-9  
 ground 5-8  
 group  
   channels 3-7, 3-9  
   create 3-7 - 3-8, 4-11  
   delete 3-7  
   get info 3-8  
   input channels 3-8  
   modules 3-9  
   source channels 3-8  
   tach channels 3-8  
 group ID 4-10 - 4-11  
 grouping of channels 4-12  
 grouping of modules 4-12

**H**

hardware configuration 3-7  
 header files 3-6, 4-3  
 help  
   HP VEE 2-12  
   SFP 2-5  
   VXIplug&play 3-38

help (continued)

  Windows 3-5  
 holdoff time 7-3  
 host interface libraries 2-2, 3-2  
   installing 2-3 - 2-4, 2-6  
 host interface library 4-2, 5-10, A-2  
 HP E1432A Function Reference  
   on-line 3-38  
   printing 3-38  
 HP E1433A Function Reference  
   SEE HP E1432A Function Reference  
 HP SICL 2-3  
 HP VEE  
   example programs 2-10  
   help 2-12  
 HP-UX 10.2 2-3  
 HP-UX 9.05 2-3  
 HP-UX C-Language Library 3-2  
 hpe1432\_32.dll 3-6

**I**

icon 3-6  
 ICP 5-2, 8-4  
 IDLE state 3-24 - 3-26, 4-19 - 4-21  
 incoming inspection 1-2  
 initialization 3-7  
 initialization functions 3-38  
 initiation 3-24, 4-19  
 input 5-2, 5-7, 6-5, 7-5  
   external trigger 7-2  
   ICP 8-4  
   tachometer 7-2  
   trigger 3-27, 4-22  
   voltage 8-4  
 input button (SFP) 2-8  
 input count division 7-3  
 input, 4-channel 4-7, 4-10, 7-2  
 interface libraries 2-2, 3-2  
   installing 2-3 - 2-4, 2-6  
 interrupts  
   handling 3-32, 4-27  
   host handling 3-33, 4-28  
   host setup 4-27  
   mask 3-32, 4-26  
   setup 3-32, 4-26  
 intr.c (example program) 2-17  
 IRQ config register A-8  
 IRQ reset register A-9  
 IRQ status register A-9

## **L**

- LEDs 5-7, 6-5, 7-5
- level mode 3-29
- level, trigger 7-2
- libraries 2-2, 3-2
  - installing 2-3 - 2-4, 2-6
- library files 3-6, 4-3
- library, host interface 4-2
- Local Bus 5-2, 5-9
  - logic level 1-3
- logical address register A-5
- logical address setting 1-4
- loop, measurement 3-25, 4-20

## **M**

- mainframes, more than one 3-9, 3-11 - 3-12, 3-14, 4-12, 4-14 - 4-15, 4-17
- manual (function reference)
  - SEE HP E1432A Function Reference
- manual arm 3-27, 4-22
- manual trigger 3-27, 4-22
- meas button (SFP) 2-8
- MEASURE state 3-25 - 3-26, 4-20 - 4-21
- measurement control 3-23, 4-18
- measurement control (SFP) 2-8
- measurement initiation 3-24, 4-19
- measurement loop 3-25, 4-20
- measurement process 3-23, 4-18
- measurement setup 3-23, 4-18
- memory map 5-10
- memory, shared 5-10
- message-based device A-2
- messages, error 4-2
- minimum.vee (example program) 2-14
- mode
  - block 3-30 - 3-31, 4-24 - 4-25
  - continuous 3-30 - 3-31, 4-24 - 4-25
  - data transfer 3-30, 4-24
  - overlap block 3-30 - 3-31, 4-24 - 4-25
- module features 5-2
- module, find 3-7
- modules, more than one 3-9, 4-12
- monitoring, tachometer 7-2
- multiple channels 5-2
- multiple mainframes 3-11, 4-14
  - limitations 3-11, 4-14
  - phase performance 3-12, 4-15
  - setup 3-14, 4-17
- multiple modules 5-2

- multiple-mainframe measurements 3-9, 4-12
- multiple-module measurements 3-9, 4-12

## **N**

- noise mode 6-2
- numbers, error 4-2

## **O**

- offset register A-7
- order.vee (example program) 2-16
- Out (source output) 6-5
- output level amplifier, constant 6-2
- overlap 5-2
- overlap block mode 3-30 - 3-31, 4-24 - 4-25
- overload detection 5-2

## **P**

- page map register A-8
- parameter 1-7 registers A-10
- parameters
  - changes 4-5
  - channel-specific 3-34, 4-4 - 4-5, 4-29
  - default values 4-5
  - global 3-34, 4-4 - 4-5, 4-29
  - list 4-5
  - settings 3-24, 4-19
  - settling 4-5
  - source 4-8
  - tachometer 4-9
  - types 3-34, 4-4, 4-29
- part numbers
  - assemblies 10-5, 10-7, 10-9
  - cables 10-10 - 10-12
  - front panel 10-13
- phone assistance (rear of manual)
- Plug&Play
  - SEE VXIplug&play
- port control register A-7
- postscript 3-38
- power supplies 5-8
- pre-arm 3-27, 4-22
- pre-trigger delay 5-2
- printing, HP E1432A Function Reference 3-38
- priority interrupt bus 5-8
- programs
  - demo 2-17
  - example 2-10, 2-17, 2-19

- protocol
  - command/response A-11
  - controller A-12
  - DSP A-13
  - VXI Bus dynamic configuration A-5
- ptman 3-38
- Q**
- query response/command register A-9
- R**
- RAM 5-10
- RAM locations (registers) A-9
- random mode 6-2
- random noise 5-2
- read response A-12
- receive data register A-9
- reference
  - SEE HP E1432A Function Reference
- register
  - 32-bit A-10
  - A16 5-12, A-2
  - A24 5-11, A-4
  - control A-7
  - count A-9
  - definitions A-2
  - device type A-5
  - DSP bus A-14
  - DSP command A-15
  - IRQ config A-8
  - IRQ reset A-9
  - IRQ status A-9
  - logical address A-5
  - offset A-7
  - page map A-8
  - parameter 1-7 registers A-10
  - port control A-7
  - query response/command A-9
  - RAM locations A-9
  - send data A-9
  - status A-5
  - VXI Bus A-5
- register-based devices 3-26, 4-21, A-2
- removing
  - A1/A11 assembly 10-23
  - A2 assembly 10-18
  - A22/A24 assembly 10-22
  - A41 assembly 10-21
  - A5 assembly 10-20
- replaceable parts
  - assemblies 10-5, 10-7, 10-9
  - cables 10-10 - 10-12
- replaceable parts (continued)
  - front panel 10-13
- reset
  - hardware 5-8
  - software 5-8
- Resource Manager 2-6
- response, read A-12
- RPM 5-2
- RPM step arm 3-27, 4-22
- RPM triggering 7-2
- rpmtrig (demo program) 2-17
- rpmtrig2 (demo program) 2-17
- S**
- sample clock
  - external 5-14
- sample rate 3-17, 5-2
  - source 3-17
- scenarios (examples)
  - C library 2-17
  - HP VEE 2-10
  - Visual Basic 2-19
- scope.vee (example program) 2-10
- semascope (demo program) 2-17
- send data register A-9
- sequences
  - complex A-13
- service assistance (rear of manual)
- setting up devices 2-6
- SETTLING state 3-24 - 3-25, 4-19 - 4-20
- settling, parameters 4-5
- setup, measurement 3-23, 4-18
- SFP (Soft Front Panel) 2-7
  - help 2-5
- shared memory 5-2, 5-10
- shipping module 1-7
- Shut 6-5
- shutdown 6-2
- SICL 2-3, 4-2
- sine mode 6-2
- sine output 5-2
- SMB Connectors 5-7, 6-5, 7-5
- source
  - SEE arbitrary source
  - button (SFP) 2-8
  - features 5-2
  - parameters 4-8
  - sample rate 3-17
  - trigger 3-27, 4-22
  - source firmware 6-5

Source LED 6-5  
 source option 6-2  
 span 3-17  
 SPlug&Play  
     VXIplug&play 3-3  
 SRAM 5-10  
 src\_intr.c (example program) 2-17  
 starting 2-2  
 state  
     ARM 3-25 - 3-26, 4-20 - 4-21  
     BOOTED 3-25, 4-20  
     BOOTED 3-24, 4-19  
     BOOTING 3-24 - 3-25, 4-19 - 4-20  
     IDLE 3-24 - 3-26, 4-19 - 4-21  
     MEASURE 3-25 - 3-26, 4-20 - 4-21  
     SETTLING 3-24 - 3-25, 4-19 - 4-20  
     TESTED 3-24 - 3-26, 4-19 - 4-21  
     TRIGGER 3-25 - 3-26, 4-20 - 4-21  
 static RAM 5-10  
 status LEDs 5-7, 6-5, 7-5  
 status register A-5  
 summer 6-2  
 sync/trigger line 3-23 - 3-26,  
     4-18 - 4-21, 5-13  
 synchronization  
     multiple-mainframe 3-14, 4-17  
     TTLTRG 5-13  
 synchronous sampling 5-2  
 SYSRESET\* 5-8  
 system requirements 2-3

**T**  
 Tach1 7-5  
 Tach2 7-5  
 tachmon.c (example program) 2-17  
 tachometer  
     block diagram 7-3  
     edge trigger 3-27, 4-22  
     features 5-2  
     parameters 4-9  
 tachometer input 7-2  
 tachometer monitoring 7-2  
 tachometer option 7-2  
 telephone assistance (rear of manual)  
 TESTED state 3-24 - 3-26, 4-19 - 4-21  
 throughput, examples 2-17  
 transferring data 5-9  
 transporting module 1-7  
 trigger 3-15, 3-27, 4-22, 5-2  
     analog 7-2  
     arbitrary source 6-2

trigger (continued)  
     auto 3-27, 4-22  
     external 3-27, 4-22, 5-13 - 5-14, 7-2  
     input 3-27, 4-22  
     LED 5-7  
     lines 5-13  
     manual 3-27, 4-22  
     source 3-27, 4-22  
     tachometer edge 3-27, 4-22  
     TTL 5-13, 7-2  
 Trigger LED 7-5  
 trigger level 3-29, 7-2  
 TRIGGER state 3-25 - 3-26, 4-20 - 4-21  
 triggering  
     exact RPM 7-2  
 troubleshooting 9-2  
 TTLTRG lines 5-13

**U**  
 up/down RPM 5-2  
 update source firmware 6-5  
 using  
     HP E1433A 3-2  
 utility bus 5-8

**V**  
 veetest 2-10  
 Vibrato  
     SEE 4-channel input  
 view detail button (HP VEE) 2-11  
 view panel button (HP VEE) 2-11  
 VISA 2-3  
 Visual Basic example programs 2-19  
 VME Bus 5-2, 5-9  
 VXI  
     backplane connections 5-8  
     button (SFP) 2-9  
     Local Bus 5-2  
 VXI Bus 3-9, 4-12, 5-10, 5-14  
     dynamic configuration protocol A-5  
     registers A-5  
 VXIplug&play  
     driver 2-4, 2-6, 3-3, 3-6  
     help 3-38  
     library 3-2  
     overview 3-3  
 VXIplug&play library 2-2 - 2-3

**W**  
 wait for done A-13  
 Windows Help 3-5  
 write command A-12

---

## *Need Assistance?*

If you need assistance, contact your nearest Hewlett-Packard Service Office listed in the HP Catalog, or contact your nearest regional office listed at the back of this book. If you are contacting Hewlett-Packard about a problem with your HP E1433A 8-Channel 196 kSa/sec Digitizer plus DSP Module, please provide the following information:

- Model number: HP E1433A
- Software version:
- Serial number:
- Options:
- Date the problem was first encountered:
- Circumstances in which the problem was encountered:
- Can you reproduce the problem?
- What effect does this problem have on you?





# Declaration of Conformity

According to ISO/IEC Guide 22 and EN 45014

**Manufacturer's name:** Hewlett-Packard Company  
**Manufacturer's address:** Lake Stevens Instrument Division  
8600 Soper Hill Road  
Everett, Washington 98205-1298

*declares, that the product*

**Product Name:** 8 Channel 196 kSa/s Digitizer plus DSP Module  
**Model Number:** HP E1433A

*conforms to the following specifications:*

**Safety:** IEC 1010-1:1990 + A1/EN61010:1993

**EMC:** CISPR 11: 1990/EN55011 (1991), Group1, Class A  
IEC 801-2: 1991/EN50082-1 (1992): 4 kV CD, 8 kV AD  
IEC 801-3: 1984/EN50082-1 (1992): 3 V/m (1)  
IEC 801-4: 1988/EN50082-1 (1992): 1 kV

## Supplementary Information:

The product herewith complies with the requirements of the Low Voltage Directive 73/23/EEC and the EMC Directive 89/336/EEC.

(1) In a 3 V/m field, some degradation of product performance occurs.

Everett, Washington - Sept. 19, 1996



Cathy Thran, Quality Manager



---

## *About this edition*

April 1999: Forth Edition. This edition was published to accommodate code upgrades and the dropping of support for HP-UX 9.X.

July 1998: Third Edition. In this edition a section was added to describe new features.

July 1997: Second Edition. In this edition a section was added to describe new features.

September 1996: First Edition.



## Free Manuals Download Website

<http://myh66.com>

<http://usermanuals.us>

<http://www.somanuals.com>

<http://www.4manuals.cc>

<http://www.manual-lib.com>

<http://www.404manual.com>

<http://www.luxmanual.com>

<http://aubethermostatmanual.com>

Golf course search by state

<http://golfingnear.com>

Email search by domain

<http://emailbydomain.com>

Auto manuals search

<http://auto.somanuals.com>

TV manuals search

<http://tv.somanuals.com>