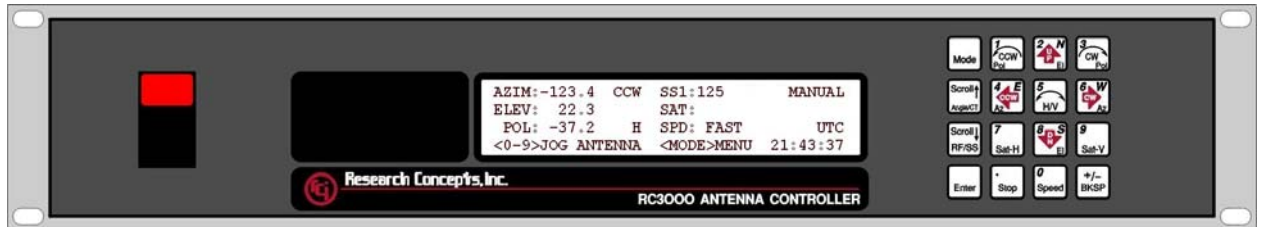


# RC3000 MOBILE ANTENNA CONTROLLER USER'S MANUAL



Contents subject to change

1 December 2005

RESEARCH CONCEPTS INC.

5420 Martindale Road

Shawnee, Kansas 66218-9680 USA

VOICE: (913) 422-0210

FAX: (913) 422-0211

[www.researchconcepts.com](http://www.researchconcepts.com)

[support@researchconcepts.com](mailto:support@researchconcepts.com)

Serial No \_\_\_\_\_



## REVISION HISTORY

DATE	MODIFICATION	SOFTWARE VERSION
8 March 1999	Preliminary document	1.00
13 April 1999	Initial Release	1.04
1 June 1999	Update	1.07
13 March 2000	Software Update	1.16
15 November 2002	Chapter 2 Update	1.37
10 January 2003	Appendix E Update	1.38
3 January 2005	Manual Format Update	1.46
1 December 2005	Software Update	1.55

## **WARRANTY INFORMATION**

Research Concepts, Inc.(RCI) warrants to the original purchaser, this product shall be free from defects in material and workmanship for one year, unless expressed otherwise, from the date of the original purchase.

During the warranty period, RCI will provide, free of charge, both parts and labor necessary to correct such defects.

To obtain such a warranty service, the original purchaser must:

- (1) Notify RCI as soon as possible after discovery of a possible defect, of:
  - (a) the model and serial number
  - (b) identify of the seller and date of purchase
  - (c) detailed description of the problem, including details on the electrical connection to associated equipment and list of such equipment, and circumstances when problem arose.
- (2) Deliver the product to RCI, or ship the same in its original container or equivalent, fully insured and shipping charges prepaid.

Correct maintenance, repair, and use are important to obtain proper performance from this product. Therefore, read the instruction manual carefully and completely. This warranty does not apply to any defect that RCI determines is due to:

- Improper maintenance or repair, including the installation of parts or accessories that do not conform to the quality and specifications of the original parts.
- Misuse, abuse, neglect, or improper installation including disregard for installation of backup or safety override equipment.
- Accidental or intentional damage.
- Lightning or acts of God.

There are no implied warranties.

The foregoing constitutes RCI's entire obligation with respect to this product, and the original purchaser and any user or owner shall have no other remedy and no claim for incidental or consequential damages. Some states do not allow limitations or exclusions of incidental or consequential damages, so the above limitation and exclusion may not apply to you. This warranty gives you specific legal rights and you may also have other rights which may vary from state to state.

RCI retains the right to make changes to these specifications any time, without notice.

Copyright – Research Concepts Inc., 2005

## **REPAIR RETURN INFORMATION**

To help guarantee a fast and efficient repair, the user should request and receive a Return Merchandise Authorization number (RMA#) from Research Concepts Inc. prior to shipping the unit.

In addition, international returns are required to complete the correct documents necessary for achieving U.S. Customs clearance. In order to avoid duties and taxes, export documents must be accurately completed to meet Export Administration Regulations. Contact RCI for guidance with respect to the correct completion of shipping documents.

## TABLE OF CONTENTS

<b>1.0 INTRODUCTION</b>	<b>1</b>
1.1 MANUAL ORGANIZATION	1
1.2 RC3000 FEATURES	3
1.3 THEORY OF OPERATION	5
1.3.1 Controller Description	5
1.3.2 System Interface Requirements	6
1.3.3 Operational Overview	7
1.3.4 Antenna Pointing Solution	9
1.3.5 Timekeeping	11
1.3.6 Drive System	11
1.3.7 Polarization Control	13
1.3.8 Magnetic Variation	14
1.3.9 System Performance	15
1.4 SPECIFICATIONS	16
<b>2.0 INSTALLATION</b>	<b>17</b>
2.1 EQUIPMENT MOUNTING	18
2.1.1 RC3000 Antenna Controller	18
2.1.2 GPS Receiver	19
2.1.3 Fluxgate Compass	20
2.1.4 Electronic Clinometer	22
2.2 ELECTRICAL CONNECTIONS	24
2.2.1 Power Entry	25
2.2.2 Motor Drive	26
2.2.3 Drive Sense	27
2.2.4 Limit Switches	28
2.2.5 Signal Strength	29
2.2.6 Navigation Sensors	30
2.2.7 Accessories	31
2.2.8 RF Autopack	32
2.2.9 Hand Held Remote	33
2.2.10 Pulse Sensors	35
2.2.11 Remote Control	38
2.2.12 Waveguide Switch	39
2.2.13 Resolver Inputs	40
2.3 INITIAL CONFIGURATION	41
2.3.1 Software Initialization	41
2.3.2 Elevation Calibration	43
2.3.3 Azimuth Calibration	47
2.3.4 Polarization Calibration	50
2.3.5 Fast/Slow Motor Speed	53
2.3.6 Pulse Sensor Checkout	53
2.3.7 Drive System Checkout	53
2.3.8 Navigation Sensor Communication	53
2.4 FINAL CALIBRATION	54
2.4.1 Compass Calibration	54
2.4.2 Azimuth and Elevation Alignment	55
2.4.3 Signal Strength Adjustment	57
2.4.3.1 L-Band Power Detector	57
2.4.3.2 Signal Strength Channel	57
2.4.3.3 Signal Strength Channel Calibration	58
2.4.3.4 Amplifier Gain vs. Frequency Characterization	59
2.4.4 Pulse Scale Factors	60
2.4.5 Operational Presets	62
2.4.6 Miscellaneous Adjustments	62
2.4.7 Mechanizing Automatic Locates	62

<b>3.0 DETAILED OPERATION .....</b>	<b>63</b>
3.1 OPERATION OVERVIEW .....	63
3.1.1 Modes.....	63
3.1.2 Keypad Usage.....	64
3.1.3 Data Entry .....	66
3.1.4 Display Layout.....	67
3.2 OPERATING GROUP.....	68
3.2.1 Manual Mode.....	69
3.2.1.1 Heading Fix.....	71
3.2.1.2 Waveguide Switch.....	72
3.2.2 Menu Mode .....	73
3.2.2.1 Deploy.....	74
3.2.2.2 Stow.....	75
3.2.2.3 Locate.....	76
3.2.2.3.1 Satellite Selection.....	77
3.2.2.3.2 LOCATE Automatic Movement.....	79
3.2.2.3.3 Azimuth Scanning Autopeak .....	80
3.2.2.3.4 Spiral Search Autopeak.....	82
3.2.2.3.5 Terminal Peak Up .....	83
3.2.2.3.6 Polarization Tilt Compensation.....	83
3.2.2.4 Store .....	84
3.2.2.5 Recall.....	85
3.2.2.6 Delete .....	85
3.2.2.7 Position.....	86
3.2.2.7.1 LAT/LON .....	86
3.2.2.7.2 HEADING .....	87
3.2.2.7.3 INIT .....	87
3.2.2.8 Settings .....	89
3.2.2.9 Track .....	90
3.2.2.10 Remote .....	90
3.2.2.11 VSAT Mode .....	91
3.3 PROGRAMMING GROUP.....	94
3.3.1 Configuration Mode.....	94
3.3.1.1 NORMAL ACCESS ITEMS .....	96
3.3.1.1.1 Expert Access Permission .....	96
3.3.1.1.2 Preset Locations .....	97
3.3.1.1.3 Preset Satellites .....	98
3.3.1.2 INSTALLATION ACCESS ITEMS .....	99
3.3.1.2.1 System Definition .....	99
3.3.1.2.2 Elevation Calibration .....	100
3.3.1.2.3 Azimuth Calibration.....	102
3.3.1.2.4 Polarization Calibration .....	104
3.3.1.2.5 Signal Strength Factors .....	105
3.3.1.2.6 Autopeak.....	106
3.3.1.3 Super-User Access Items.....	108
3.3.1.3.1 Reset Defaults .....	108
3.3.1.3.2 Azimuth Pot Drive .....	109
3.3.1.3.3 Azimuth Pulse Drive.....	110
3.3.1.3.4 Azimuth Drive Monitoring .....	111
3.3.1.3.5 Elevation Pot Drive.....	113
3.3.1.3.6 Elevation Pulse Drive.....	114
3.3.1.3.7 Elevation Drive Monitoring .....	114
3.3.1.3.8 Polarization Drive .....	115
3.3.1.3.9 Pol Drive Monitoring.....	115
3.3.1.3.10 Stow & Deploy Positions.....	116
3.3.1.3.11 SHAKE .....	117
3.3.2 Maintenance Items.....	118
3.3.2.1 Analog to Digital Voltage .....	119
3.3.2.2 Drive Error Resets .....	120
3.3.2.3 Time Maintenance .....	120
3.3.2.4 Signal Strength Offset Calculator.....	122

3.3.2.5 Limits Maintenance .....	123
3.3.2.6 GPS Serial Port Diagnostics .....	124
3.3.2.7 Fluxgate Serial Port Diagnostics .....	124
3.3.2.8 MOVETO .....	125
3.3.2.9 Fluxgate Calibration Procedure .....	126
3.3.2.10 Shake .....	127
3.3.2.11 Configuration Item Record .....	128
3.4 ALARM DISPLAYS .....	129
<b>4.0 TROUBLESHOOTING.....</b>	<b>131</b>
4.1 LIMIT SWITCHES.....	131
4.2 MOTOR DRIVE.....	132
4.3 AUTOMATIC MOVEMENTS.....	133
4.4 GPS.....	133
4.5 FLUXGATE COMPASS.....	134
<b>5.0 DRAWINGS &amp; SCHEMATICS .....</b>	<b>135</b>

**APPENDIX A - EXPERT ACCESS / RESET DEFAULTS CODE**

**APPENDIX B - MOUNT SPECIFIC DATA**

**APPENDIX C - DC MOTOR CONTROLLER**

The following appendices describe optional features of the RC3000. These appendices will be included in the manual if the option is present.

**APPENDIX REM - REMOTE CONTROL**

**APPENDIX TRK - INCLINED ORBIT TRACKING**

**APPENDIX DVB - INTEGRATED DVB RECEIVER**

**APPENDIX DSI - ANTENNA DEPLOYMENT SAFETY INTERLOCK**

**APPENDIX TLE - TWO LINE ELEMENT TRACKING**





## 1.0 INTRODUCTION

The RC3000 antenna controller is designed for use with elevation over azimuth antennas on mobile satellite uplink vehicles. The RC3000 assists both the technically-oriented and the non-technical operator of a mobile satellite antenna system by automating the process of locating and locking on to a particular satellite. This process can be time-consuming due to several factors. For each shoot, the antenna may be located in a different location, with its own local magnetic variation, and oriented in a different direction. Since the beamwidth of the antenna is extremely narrow, the elevation and azimuth pointing angles require a significant degree of accuracy to even be in the neighborhood of the satellite.

The design and function of the RC3000 is derived from two other proven antenna controllers from Research Concepts Inc.: the RC8097 satellite locator and the RC2000C tracking antenna controller. This pedigree allows the RC3000 to automate all operational steps within one piece of equipment. First, a microcontroller based calculator function provides an accurate pointing solution through a collection of sensor data. The RC3000 then uses the data from the sensors to accurately steer the antenna to the calculated azimuth and elevation angles. The RC3000 also optionally automates the function of tracking inclined orbit satellites.

**PLEASE READ AND UNDERSTAND THE MANUAL.** Due to the complexity of the functions performed by the RC3000, time invested in understanding its installation and operation will be well spent.

### 1.1 Manual Organization

This manual contains five chapters and multiple appendices. Each chapter is divided into multiple sections.

This section (1.1) summarizes the contents of the remainder of the manual and the conventions and notations used throughout the manual. Section 1.2 highlights the functionality and features of the RC3000. Section 1.3 reviews the theory of the RC3000's operation and should be understood before installation and initial use of the RC3000.

Chapter 2 describes the installation and configuration procedures for the RC3000. The rest of the manual should be reviewed prior to installation in order to provide context for the installation procedures.

Chapter 3 provides detailed instructions on the operation of the RC3000. This chapter will describe the data presented and user action required for every operational display screen.

Chapter 4 covers RC3000 error conditions and provides help for system troubleshooting.

Chapter 5 provides RC3000 schematics and drawings.

The appendices provide additional support for working with the RC3000:

Appendix A supplies the expert access codes on a single page, which at management's discretion, may be removed to eliminate the possibility of inexperienced users inadvertently corrupting configuration data.

Appendix B provides unique information for a specific mount or family of mounts. **Please refer to appendix B now to note what paragraphs in the base manual are different for your mount.**

Appendix C provides information on the applicable motor controller for your mount.

A test data sheet is included with the manual that accompanies a new RC3000 controller. **The mount configuration of a particular controller is noted on the test data sheet.**

**MANUAL CONVENTIONS**

Throughout the manual, representations of screens the user will see will be shown in the boxed format that follows:

```

AZIM:  0.0 STOW  SS1: 50      MANUAL
ELEV: -67.5 STOW  SAT:TELSTAR 402
POL:   0.0      SPD:FAST      CST
<0-9>JOG ANTENNA <MODE>MENU  14:25:47
    
```

The following table shows typical abbreviations used both on RC3000 screens and in the manual's text.

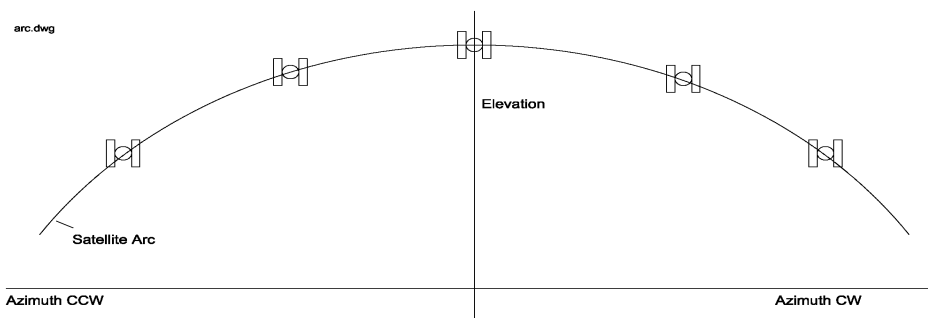
ITEM	ABBREVIATION(S)
Azimuth	AZ AZIM, Azim
Elevation	EL ELEV, Elev
Polarization	PL POL, Pol
Clockwise	CW
Counter-Clockwise (Anti-Clockwise)	CCW
Down	DN
Latitude	LAT
Longitude	LON
Satellite	SAT
Global Positioning System	GPS
Liquid Crystal Display	LCD
Automatic Gain Control	AGC

Satellite longitudes are presented in degree/decimal degree (79.0 W) format since that is the standard representation of satellite position. Latitude and longitude of the mount are presented in degree/minute (38°56 N) format.

When referring to a particular RC3000 mode of operation, that mode's name will be capitalized – ex. LOCATE.

Throughout the RC3000 manual and software, the latitude, longitude and true heading of the mount are collectively referred to as the mount's "position".

Movements of the mount are represented by graphing the azimuth and elevation axes as shown below.



## 1.2 RC3000 Features

The RC3000 antenna controller is designed to automate the operation of mobile (both vehicle mounted and deployable) mounts. Features provided include:

- Automatic azimuth and elevation pointing solution calculation
- Optional GPS receiver for determination of antenna latitude and longitude
- Optional fluxgate compass for determination of antenna centerline heading
- Optional automatic tracking of inclined orbit satellites
- Automatic polarization control of rotating feeds
- Battery backed-up non-volatile memory for storing satellite locations and configuration data
- Automatic repositioning to stored satellites
- Slim 2U rack mounted unit
- Continuous monitoring of antenna drive status
- Optional RS-422/-232 remote control interface
- Support for C, Ku, Ka, L, X - band satellite operations
- 4 row x 40 column Liquid Crystal Display (LCD) for user interface
- 16 key keypad for data entry

The RC3000 supports mounts from multiple antenna manufacturers and provides optional software configurations. When the RC3000 is powered on, the following identification screen appears for three seconds.

```
RC3000A MOBILE ANTENNA CONTROLLER
      (c) RESEARCH CONCEPTS INC. 2004
SHAWNEE, KANSAS      (USA)      913-422-0210
SW:RC3K-P1-GTN      version 1.44
```

**Hardware Configuration.** There are two basic versions of the RC3000 hardware. The "A" version is configured with circuitry to support mounts with low voltage (12-36 VDC) DC motors. The "B" version supports higher voltage (40-120 VDC) DC motors. Other hardware configurations provide customized backpanel configurations, etc. Refer to the appendix B (mount specific data).

In late 2004, internal board configurations changed. These changes did not affect interface definitions or software functionality. RC3000 units with serial numbers larger than 2000 contain the second generation boards. Typically, low voltage drive units with second generation board configurations may be referred to as "A2" units vs. "A" which designates units with the original board configuration.

**Software Configuration.** The software configuration (SW:) field is presented in the form RC3K-ab-xyz:

RC3K-(Mount Manufacturer/Model #)-(Nav Sensor Option)(Tracking Option)(Remote Option)

Descriptions of the software configuration designations are provided in the following tables:

### Mount Manufacturer/Model #

The software within the RC3000 is customized to account for specifics of individual mounts. A particular mount is referred to by a two character designation with the first character typically associated with the mount manufacturer and the second character associated with a specific mount/antenna model from that manufacturer.

CATEGORY	DESIGNATION	DESCRIPTION
Mount Manufacturer / Model Number	Letter / #	Example: V1 - Vertex 2.4m. DMK
		S1 - SweDish 1.5m. DA
		A3 - AVL 1.2m. USA
		N1 - Andrew 4.5m. TriFold

As of December 2005, the RC3000 supported over 80 different mount models.

### Navigation Sensor Options

The RC3000 may be provided with multiple navigation sensor options. Navigation sensors allow the RC3000 to determine the mount's latitude, longitude and heading. If no navigation sensors are present, estimates of this data may be entered manually.

CATEGORY	DESIGNATOR	DESCRIPTION
Navigation Sensors	N	No Navigation Sensors supported
	G	GPS & Fluxgate compass supported
	A	GPS, Fluxgate and integrated DVB receiver supported
	F	GPS and DVB receiver (no compass)
	C	GPS Compass

### Tracking Options

The RC3000 may provide optional support for tracking inclined orbit satellites.

CATEGORY	DESIGNATOR	DESCRIPTION
Inclined Orbit Tracking	N	Tracking not supported
	T	Step & Memory Track supported
	E	Step & Memory plus Two Line Element set tracking supported

### Remote Control Options

The RC3000 may provide optional support for controlling the mount from a remote (away from the front panel) location.

CATEGORY	DESIGNATOR	DESCRIPTION
Remote Control	N	No Remote Control Supported
	R	Remote Monitor & Control Supported
	O	Antenna Deployment Safety Interlock
	P	Both Monitor & Control and Deployment Safety Interlock

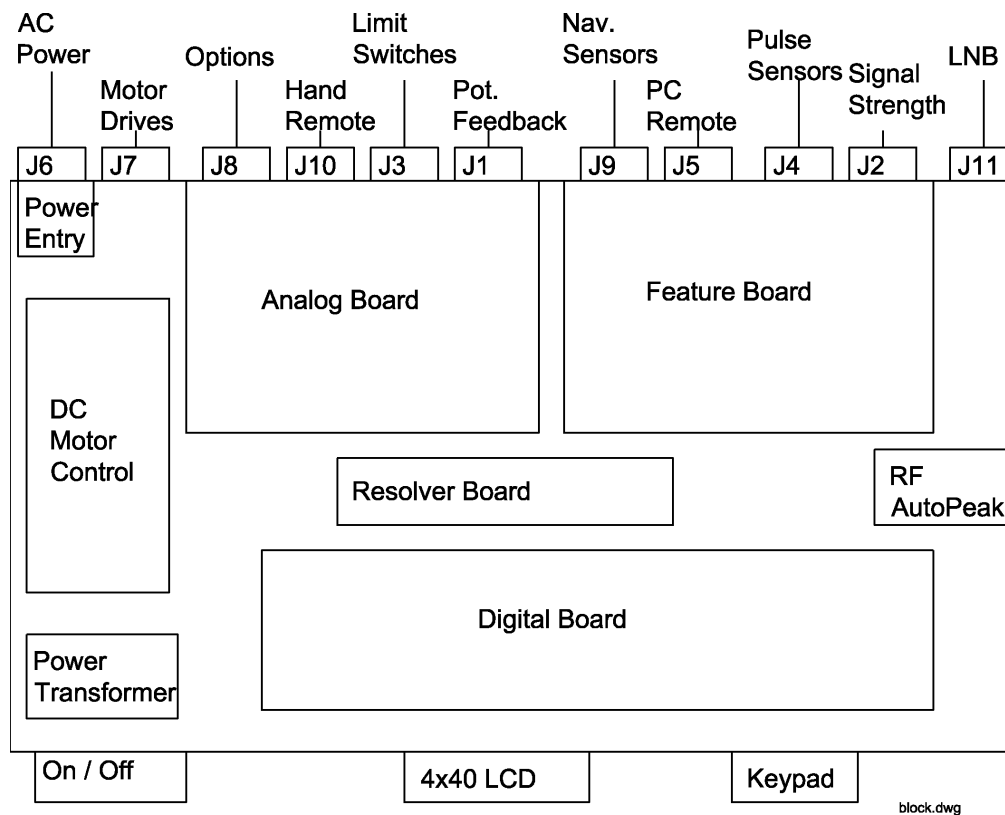
NOTE: Descriptions of the optional features are typically provided by separate appendices.

## 1.3 Theory of Operation

The RC3000 performs its functions via digital and analog electronic equipment interfaced to the antenna's motor drive and position feedback systems. This equipment is controlled through embedded software algorithms run by the RC3000's microcontroller. This section provides an overview of the equipment, interfaces and major software functions.

### 1.3.1 Controller Description

The following figure is a block diagram showing the major components of the RC3000 :



**LIQUID CRYSTAL DISPLAY (LCD).** The 4 row by 40 column LCD provides the user interface for monitoring the status of the RC3000 and for entering data.

**KEYPAD.** The 4 row by 4 column keypad allows the user to enter data and commands to the RC3000.

**DIGITAL BOARD.** The digital board is essentially a small computer containing a microcontroller, memory, real-time clock and circuitry to monitor and drive the keypad and LCD. The digital board performs the following major functions:

- monitors user inputs from the keypad
- displays information on the LCD screen according to controller mode, antenna status and user input
- monitors antenna drive status
- battery backs up non-volatile memory (configuration data, etc.) and the real-time clock

- performs communications between the microcontroller and the three (GPS, compass, remote control) serial channels
- performs analog to digital conversion of drive position and signal strength inputs
- performs automatic antenna movement algorithms (locate, stow, recall, track, etc)

**FEATURE BOARD.** The feature board contains circuitry to implement many of the optional features of the RC3000. The feature board provides the following major functions:

- signal drivers for PC remote control and navigation sensor serial communication
- circuitry for multiplexing signal strength indications from 1 of 3 sources
- circuitry for conditioning pulse based position feedback signals
- power transformation to supply required voltages to other modules

**RF AUTOPEAK MODULE.** This module accepts the output of an LNB (950-1450MHZ, -50 to -5dBm) and generates a signal indicative of power across the band. This signal may be used for autopeak operations.

**ANALOG BOARD.** The analog board contains circuitry to control the antenna motors and condition antenna feedback signals. The analog board provides the following major functions:

- generation of azimuth and polarization limit indications based on sensed potentiometer feedback
- conditioning of elevation inclinometer input
- conditioning of azimuth stow and elevation up/down/stow limit switch inputs
- activation of relays (based on digital board control) to direct motor drive signals from the DC motor control module.

**DC MOTOR CONTROL MODULE.** The solid state DC motor speed and reversing control module contains circuitry for antenna motor regulation. This module provides:

- acceleration adjustment for smooth motor acceleration
- deceleration adjustment for ramp down time when motor speed lowered
- anti-plug instant reverse, solid state dynamic braking
- current limiting circuitry to protect the motor against overloads and demagnetization and to limit inrush current during startup
- IR compensation to improve load regulation

**POWER ENTRY MODULE.** The power entry module allows the RC3000 to be configured for 115 or 230 VAC operation.

**POWER TRANSFORMER.** The power supply module transforms AC input voltage to a regulated DC voltage for use by the digital and drive boards.

**RESOLVER BOARD.** To support mounts that use resolvers for position feedback, an optional resolver to digital conversion board may be added to the baseline RC3000 hardware.

NOTE: Second Generation RC3000's (serial number > 2000) will have the circuitry of the analog board and the feature board combined. Section 5.0 will contain the appropriate schematics for a particular controller.

### 1.3.2 System Interface Requirements

The RC3000 is designed to interface with many different mobile antenna mounts. This manual attempts to describe installation and operation in a manner applicable to most mounts.

The typical interfaces required for the RC3000 to perform all its automatic functions are described in section 2.2 (Electrical Connections). Known differences to these interfaces and how they are accommodated for a particular mount are described in appendix B (Mount Specific Data).

### 1.3.3 Operational Overview

The RC3000 allows easy antenna operation via its menu based user interface. The screen displayed to the user is based on the current controller mode. Controller modes are divided into two major groups: operational and programming (see mode map in section 3.1.1). The operational modes provide for the normal operation of the antenna. The programming group provides for initial configuration of the controller and will typically not be used on a day by day basis. The following example highlights the basic modes of operation provided by the RC3000.

#### Operational Group Functions

**MANUAL.** In MANUAL mode the user may jog the antenna in azimuth, elevation and polarization. Upon power up, the fluxgate compass and GPS receiver initialize and begin providing data.

```
AZIM:  0.0 STOW   SIG: 50           MANUAL
ELEV: -67.5 STOW  SAT:TELSTAR 402
POL:   0.0       SPD:FAST           CST
<0-9>JOG ANTENNA  <MODE>MENU    14:25:47
```

**AUTOMATIC LOCATION OF A SATELLITE.** In LOCATE mode, azimuth and elevation pointing angles are automatically calculated based on position (lat/lon), heading and the selected satellite. Position may be obtained automatically from the optional GPS, selected from a preset list of user defined positions or entered manually. Heading may be automatically obtained from the optional fluxgate compass or entered manually. The user selects which satellite to locate from either a preset user defined list of commonly used satellites, a provided extensive list of satellites or by manually entering satellite data. The RC3000 checks that the calculated pointing solution is within the mount's range of movement and prompts the user to automatically position the antenna.

```
POS:    38°56N  94°44W  180.0    LOCATE
SAT:GALAXY 6    74.0W           AZ:-31.1
                                           EL: 40.0
<1>SELECT NEW SAT    READY TO LOCATE
```

**STORING SATELLITE LOCATION.** After verifying the antenna is precisely on the satellite, the user may STORE the satellite's azimuth and elevation angles along with horizontal and vertical polarization data. If the satellite has been identified as having an inclined orbit, the TRACK mode will be automatically entered as described below.

```
SAT      LON INCLIN BAND      STORE
BRASIL A1  79.0  2    C
VERIFY SATELLITE DATA OK FOR STORING
1-CORRECT, 2-INCORRECT
```

**RECALLING STORED SATELLITES.** The user may quickly and precisely move between previously STOREd satellites via RECALL mode.

```
RECALL
STORED SATELLITE: BRASIL A1
SELECT SAT (SCROLL UP/DOWN) <ENTER>
```

**AUTOMATIC ANTENNA STOWING.** From STOW mode, the user may ask for the antenna to be automatically moved to the stow position.

```
AZIM: -42.5 ( 0.0)           STOW
ELEV:  23.4 (-67.5)
MOVING TO (TARGET), <STOP> TO HALT MOTION
```

## Programming Group Functions

The programming group modes provide for initial configuration of the controller and also provide screens to aid in maintenance and troubleshooting of the controller.

Configuration mode screens allow the user to customize and calibrate the operation of the RC3000 for use with a particular mount. Note that most configuration items will be factory set for correct operation with a particular mount.

```
REF_VOLT:2.50 OFF: 0.0 CONFIG-AZIM
      CCW:180 CW:180 SF:76.35

SET REFERENCE VOLTAGE <2.00 - 3.00>
```

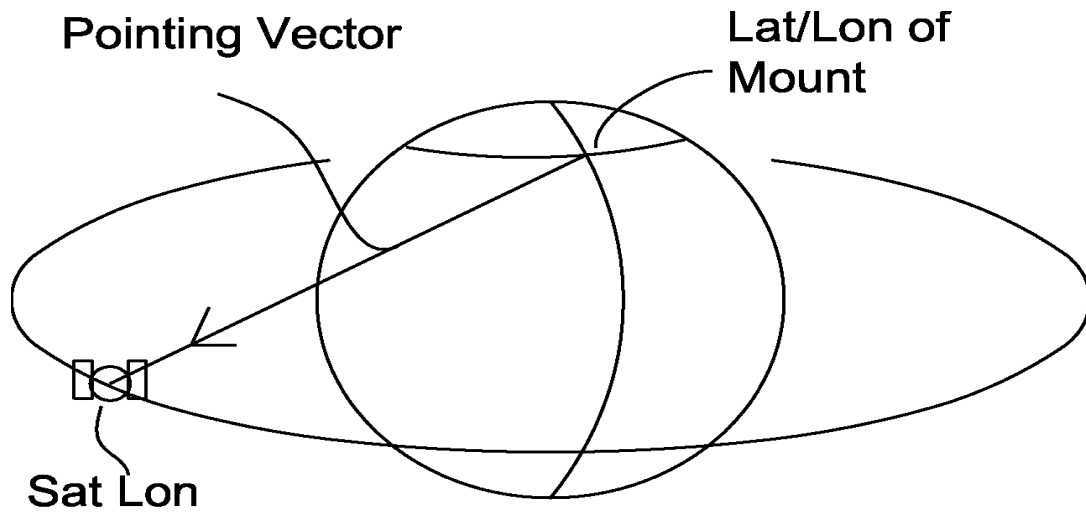
Maintenance mode screens allow the user to monitor sensor inputs and perform periodic maintenance actions such as setting time and resetting drive errors.

```
SYSTEM:11/10/97 22:26:40 TIME
GPS UTC:11/10/97 22:26:40 ZONE:CST
DISPLAY:11/10/97 16:26:40 OFFSET:- 6
1-DATE 2-TIME 3-SYNCH 4-ZONE 5-OFFSET
```



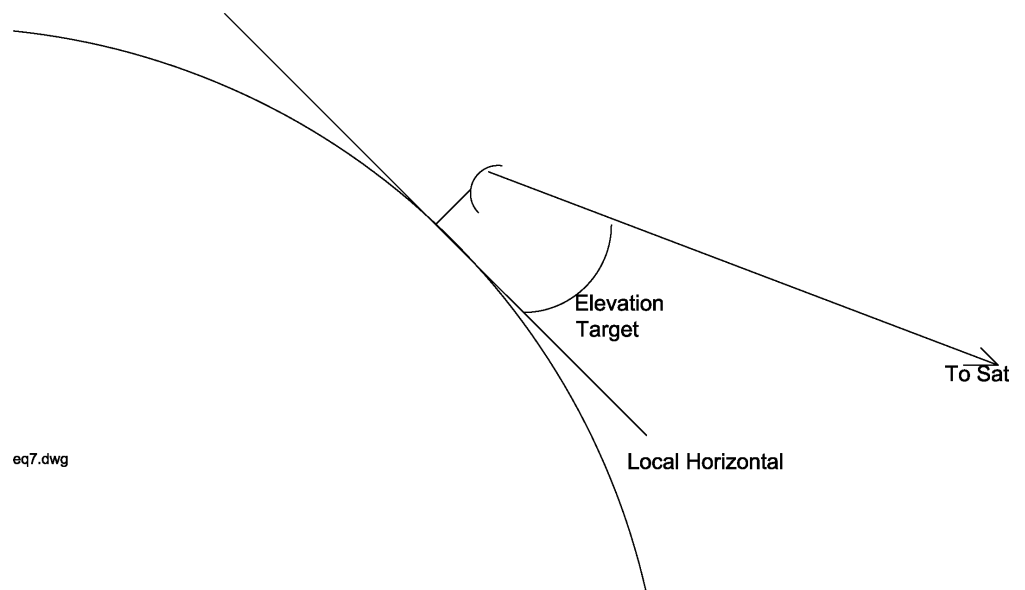
### 1.3.4 Antenna Pointing Solution

The position (latitude and longitude) of the mount and the longitude of a selected satellite are required to calculate a pointing vector from the mount to the selected satellite.



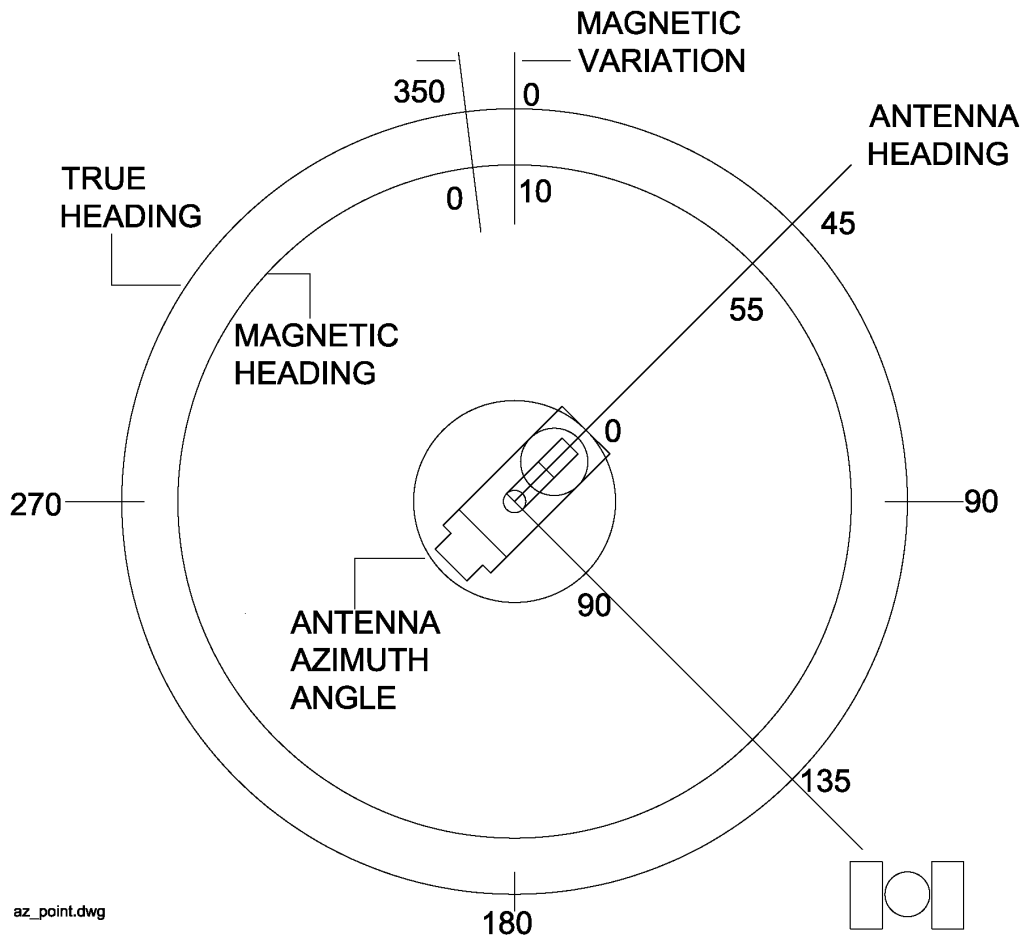
eq6.dwg

Given the mount's latitude and longitude and the pointing vector to the satellite, the RC3000 calculates the elevation (with respect to local horizontal) required. Feedback from the inclinometer on the elevation axis will be used to move the mount to the required elevation.



eq7.dwg

The azimuth portion of the pointing vector is calculated with respect to local true North. The fluxgate compass is used to determine the heading of the centerline of azimuth travel and the required movement in the azimuth axis is calculated.



In the above example a true heading of 135 degrees to the satellite has been calculated. Based on the mount's latitude, longitude and date, a local magnetic variation (see 1.3.8) of 10 degrees is calculated. The compass senses a magnetic heading of 55 for the azimuth reference direction. Applying the magnetic variation, this yields an apparent true heading of 45 degrees for the antenna reference direction. An azimuth movement of 90 (135 – 45) degrees clockwise is therefore needed to point at the satellite.

Since a position sensor on the azimuth axis is always active, the RC3000's default displayed azimuth value is that of the antenna angle. Derived estimates of the magnetic and true heading of the mount may be selected in the MANUAL (3.2.1) and LOCATE (3.2.2.3) modes.

### 1.3.5 Timekeeping

There are several versions of time (system, sidereal, referenced and GPS) discussed within this manual.

**System time** is maintained by the RC3000's real time clock. The real-time clock is backed up by battery so that system time is available as soon as the RC3000 powers up. The system time is used to calculate **sidereal time** for maintaining track tables. Since satellite's do not experience time shifts (such as from Standard Time to Daylight Savings Time or when moving from one time zone to another), it is recommended that system time not be modified while active track tables are present. If system time is changed, the information stored in track tables for inclined orbit satellites will no longer be valid.

The RC3000's system time is set to approximately **Universal Coordinated Time (UTC)** at the factory. It will vary from UTC due to the tolerance of the real-time clock.

If the optional GPS receiver is installed, the RC3000 parses UTC from the data sent by the GPS receiver. This data is only available when the GPS receiver is sufficiently locked on to GPS satellites to determine UTC. The RC3000 allows the user to synchronize system time to the UTC reported by the GPS receiver.

The period of a satellite's motion is one sidereal day (approximately 23 hours 56 minutes 4 seconds). Entries in the track table for an inclined orbit satellite are stored at intervals of 1/48th of a sidereal day. The RC3000 determines at what point in a sidereal day (with respect to the RC3000 reference) it is by calculating how many sidereal days have passed from January 1, 1992 until the present system time.

In several screens the RC3000 displays a **reference time**. The user may designate a three letter timezone designation and an hourly offset from system time. This allows the user to display local time or some other reference time without modifying system time. If system time is maintained close to UTC, the reference time displayed may be of use to operators for coordinating events.

See section 3.3.2.3 for details on time maintenance.

### 1.3.6 Drive System

The RC3000 implements several mechanisms for the driving and monitoring of the azimuth, elevation and polarization axis.

#### Position Sensing and Limits

The RC3000 senses absolute axis position using feedback from various sensors (potentiometers, resolvers, inclinometer for elevation, etc). The sensed voltage is scaled appropriately for the particular mount. This sensed position is displayed in angular format.

For systems requiring very small movements for inclined orbit tracking, the RC3000 also supports pulse feedback from the azimuth and elevation axis. Sensed pulses from the axis motor don't provide an absolute indication of position but allow for very precise relative movements.

The boresight of the antenna is displayed for the azimuth and elevation axis. In elevation, this angle is with respect to the local horizontal. In azimuth, this angle is with respect to the centerline of azimuth travel.

The following diagram shows a typical range of movement for mobile satellite antennas. Note that elevation movement to the stow position is limited about a small range of azimuth movement in order to ensure safe stowing of the antenna.



In the azimuth axis, movement in one direction is disabled when clockwise and counterclockwise limit switches are activated. There is also typically a region in the center of azimuth travel indicating that the azimuth axis is in a position that will allow for moving the elevation axis down to the stow position.

In the elevation axis, there are typically three limit switches. The UP switch prevents further movement up. The "DOWN" switch delimits the elevation the mount may not move further downward unless it has been placed in the azimuth stow region. The STOW switch indicates when the mount has reached its furthest down position which is typically where the dish is stowed for travel.

### Jam and Runaway Sensing

The RC3000 continuously monitors the axis positions to detect incorrect movement of the mount. If an axis has been commanded to move and the RC3000 does not detect movement within a prescribed time, the controller will declare a "JAM" condition and not allow further movement in that axis until the condition has been reset.

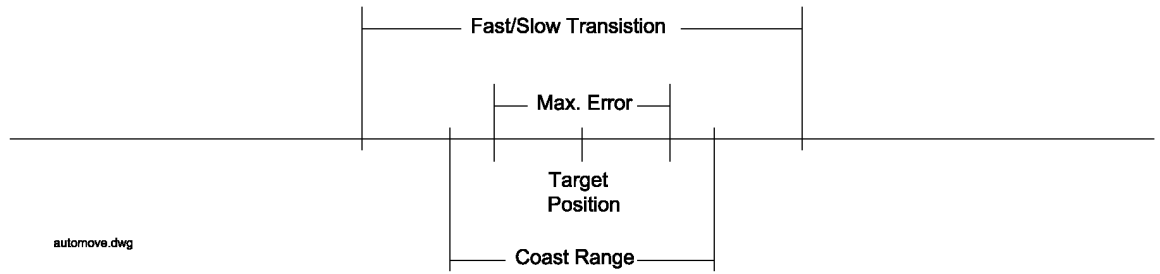
Similarly if the RC3000 senses movement in an axis when no movement should be occurring, the RC3000 will declare a "RUNAWAY" condition. Like JAM, the RUNAWAY condition must be reset before further movement in the axis may occur.

### Anti-Reversal

In order to save wear on the drive motors, the RC3000 limits how fast an axis may reverse its direction. This mechanism prevents a motor from instantly changing direction before coasting to a stop in the original direction. This mechanism is also useful for correct counting of pulses. Since the RC3000 counts a pulse as being in the direction that the controller thinks the axis should be going, it is imperative to stop the motor completely before moving in the opposite direction.

### Automatic Movements

In order to provide smooth automatic movement to target positions, the RC3000 utilizes several parameters to account for different mount characteristics.

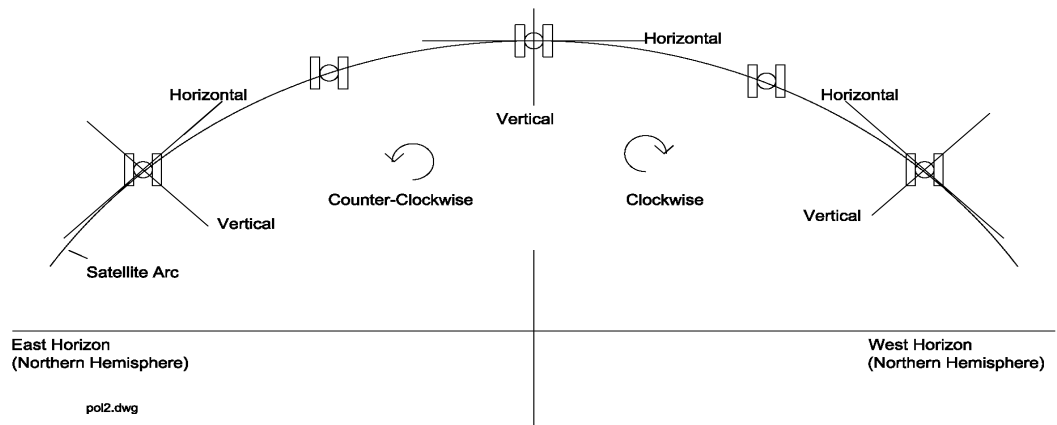


The Fast/Slow Transition parameter defines how far away from a target position the RC3000 will switch from fast to slow motor speed. The Coast Range defines where the RC3000 will de-energize the motor drive to allow the mount's inertia to coast into the target position. The Max Error parameter defines how close to the target position will be considered good enough.

Note that the DC motor control module in the RC3000 provides for smooth acceleration/deceleration, load regulation and dynamic braking of the motors.

### 1.3.7 Polarization Control

The RC3000 calculates the required position and automatically moves the polarization axis as part of the satellite LOCATE function. The following diagram shows the polarization axis sign convention used. The diagram depicts looking at the arc of satellites from behind the antenna.

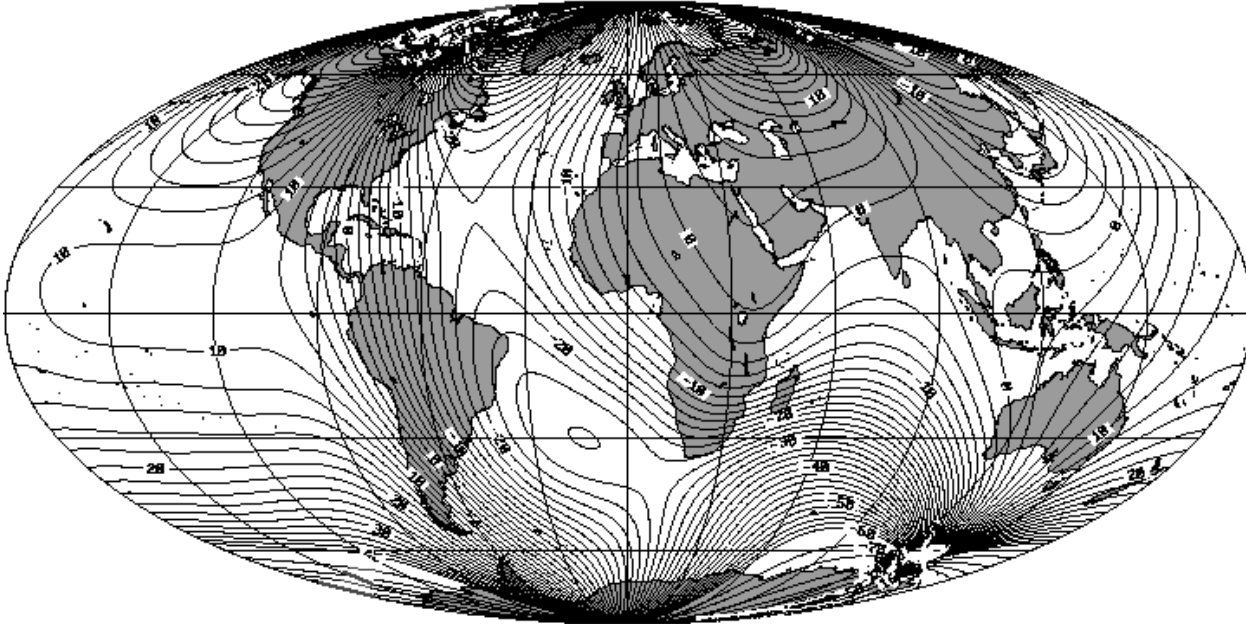


The RC3000 allows the user to specify the type of polarization axis mechanism present. If a circular polarization scheme is present, no automatic movement of the polarization axis is performed. If a linear polarization scheme is present, the RC3000 will calculate the theoretical position as a function of mount latitude, mount longitude and satellite longitude.

### 1.3.8 Magnetic Variation

In order to calculate satellite pointing solutions, the mount's orientation with respect to true North must be known. The RC3000 uses the fluxgate compass to measure the local horizontal component of the earth's magnetic field. The earth's magnetic field is very irregular as shown in the following diagram from the National Geophysical Data Center.

**Magnetic Field of the Earth - 1995  
Declination Chart**



The magnetic field also changes slowly over time. The following table shows how the magnetic variation for Washington D.C. has changed over the last 250 years.

YEAR	MAGNETIC VARIATION
1750	-3.3
1800	-1.0
1850	-2.5
1900	-5.5
1950	-7.5
2000	-10.6

To calculate the local magnetic variation (difference between magnetic North and true North), the RC3000 uses the International Geomagnetic Reference Field (IGRF) model. The IGRF is a mathematical model of the earth's magnetic field and how it is changing. The IGRF is based on world wide observations and is updated every five years. The IGRF model cannot account for short term effects such as magnetic storms, etc.

Local magnetic variation is calculated given the mount's latitude, longitude and the current date. The magnetic variation calculation cannot account for isolated local anomalies (typically less than a few degrees). It also cannot account for local external effects (power lines, train tracks, etc). The autopeak scan functions (3.2.2.3.2.3) used by the RC3000 attempt to compensate for the small heading calculation errors that may occur at any particular location.

### 1.3.9 System Performance

The performance achieved by the RC3000 in locating and tracking satellites is dependent on the mechanical tolerances of the mount, the correctness of the installation and the accuracy of the various sensors.

The largest source of error for the system is due to errors in determining the truck's magnetic heading. Errors in heading primarily affect the accuracy of the antenna's calculated azimuth position. The flux gate determines the magnetic heading by measuring the direction of the magnetic field at the sensor tower. Problems arise because the earth's magnetic field can be distorted by ferrous metals (such as steel and iron; aluminum is a non-ferrous metal) and man-made magnetic fields. These man-made fields can be generated by electric motors, generators, and transformers, as well as those "worked into" the coach body during manufacturing.

For the flux gate sensor, there are two unique categories of objects that distort the magnetic field in the vicinity of the truck. Some of the distortion is due to objects and electrical devices on the truck itself. This component of the distortion can be largely compensated for during system calibration.

The other component of the distortion is due to large metal objects and man-made magnetic fields around the site where the truck is being operated. This component of the distortion varies as the truck moves from one location to another, and it affects the accuracy of the calculated azimuth position. Environments which typically produce the largest errors include railroad yards, areas around electrical substations, and sites near structures containing large amounts of steel or iron, such as bridges or large buildings.

To date, the largest known azimuth error due to these interactions is less than 10 degrees. To help alleviate this azimuth error, the Auto Peak feature scans an azimuth range about the target azimuth and seeks the strongest signal. This feature is explained in full in section 3.2.2.3.

The RC3000 uses a 10 bit analog to digital converter for measuring voltages from azimuth, elevation and polarization potentiometers as well as measuring signal strength inputs. In most cases this provides adequate resolution but should be considered. For example, if the azimuth axis has 360 degrees of travel, the resolution achieved is  $360 / 1024$  (approximately 0.35 degrees). This example highlights why pulse or resolver sensors are used to make precise movements for inclined orbit tracking. The optional resolver interface uses a 16 bit resolver to digital converter. This allows resolution of  $0.0055$  ( $360 / 65536$ ) degrees.

## 1.4 Specifications

	RC3000A	RC3000B
<b>Physical</b>		
Size	19.0 inches x 3.5 inches x 17.5 inches	
Weight	19 lbs	13 lbs
Input Power	115/230 VAC switchable 50/60Hz; 50W max Idle;850W max Antenna Moving; optional universal input	115 OR 230 VAC 50/60Hz; 50W max Idle;850W max Antenna Moving
Fusing	115 VAC, 8Amp Slow-Blow; 230 VAC,4 AMP Slow-Blow	115VAC and 230VAC, 12 AMP Fast Blow
Temperature	-20C to +50C	
Humidity	35% to 85% (optional special-environmental kit available)	
<b>Antenna Drive</b>		
Azimuth/Elevation	12-36 VDC, 10 Amps max	90VDC (3/4 HP max) for 115VAC,90 or 180 VDC (1.5 HP max) for 230VAC input
Polarization	12-36 VDC, 10 Amps max	12 VDC, 1 Amp max
Electromechanical Brakes (optional)	28 VDC 300mA, or 115 VAC 1Amp max(specify on order)	115 VAC 1Amp max (specify on order)
Waveguide/Switch (optional)	24VDC 2Amps max or 115VAC 1 Amp max (specify on order)	
<b>Position Sense</b>		
Azimuth	Potentiometer, 10-bit resolution standard; optional single phase pulse sensors (Reed, Hall-Effect, Optical); optional resolver, 16-bit resolution	
Elevation	Inclinometer, 10-bit resolution standard; optional single phase pulse sensors (Reed, Hall-Effect, Optical); optional resolver, 16-bit resolution	
Polarization	Potentiometer, 10-bit resolution standard; optional resolver, 16-bit resolution	
Limit Switch Inputs	Five- 12 VDC inputs, standard: EL Up, EL Down, EL Stow, AZ Stow, Pol Stow.Four additional inputs optional, mount dependent	
<b>Locate Mode</b>		
Elevation Accuracy	+0.2 degrees (typical)	
Azimuth Accuracy	+1.5 degrees (typical)	
Polarization Accuracy	+3 degrees (typical)	
GPS Lockup Time	0 seconds (when configured for accessory powered GPS receiver)	
VSAT Mode	Single key-press-to-locate-operation for untrained operators	
Autopeak Input	full L-Band power detection to find strongest signal.(configurable to AGC voltage or Beacon receiver output -15VDC to +15VDC; 2Mohm input impedance, two channels)	
Modem Receive-Lock Input	TTL or contact closure, (optional non-invasive modem lock detector available)	
<b>Track Mode</b>		
Antenna Size	0.4 – 12.0 meters	
Tracking Accuracy	0.1 to 3.0 dB selectable; mount dependent	
Maximum Inclination	16 deg., standard	
Tacking Modes	Step-Track, Memory-Track, Intelli-Searchtm , Program Track, optional Ephemeris Track	
Signal-Strength Input	-15VDC to +15VDC; 2Mohm input impedance, two channels	
Non-volatile Memory Backup	Duracell DL2450	



## 2.0 INSTALLATION

Proper installation is important if the full capability and accuracy of the RC3000 is to be realized. The procedures that follow will insure the optimum level of performance from all sensors and the system in general.

Installation will be more efficient if each step in the physical installation and calibration be performed in the order in which it appears in the following schedule. Each step is referenced to a particular section of this manual, and should be checked off as it is completed. Coordination between the mount manufacturer, vehicle integrator and end user is required. Some steps are applicable only if the tracking or remote control options were purchased with the unit. The installation procedures are written to cover the most common mount installations. Some steps are slightly different according to the type of mount the RC3000 is interfacing to (see appendix B). Installation requires basic operational knowledge of the RC3000. Please review chapter 3 for information on how to navigate the RC3000's screens and how to enter data.

SECTION	ACTION	COMPLETE
2.1 Equipment Mounting		
2.1.1	RC3000 Antenna Controller	
2.1.2	GPS Receiver	
2.1.3	Fluxgate Compass	
2.1.4	Inclinometer	
2.2 Electrical Connections		
2.2.1	Power Entry	
2.2.2	Motor Drive	
2.2.3	Drive Sense	
2.2.4	Limit Switches	
2.2.5	Signal Strength	
2.2.6	Navigation Sensors	
2.2.7	Accessories	
2.2.8	RF Autopeak	
2.2.9	Hand Held Remote	
2.2.10	Pulse Sensors	
2.2.11	PC Remote Control	
2.2.12	Waveguide Switch	
2.2.13	Resolver Inputs	
2.3 Initial Configuration		
2.3.1	Software Initialization	
2.3.2	Elevation Calibration	
2.3.3	Azimuth Calibration	
2.3.4	Polarization Calibration	
2.3.5	Fast/Slow Motor Speed	
2.3.6	Pulse Sensor Checkout	
2.3.7	Drive System Checkout	
2.3.8	Navigation Sensor Communication	
2.4 Final Calibration		
2.4.1	Compass Calibration	
2.4.2	Azimuth and Elevation Alignment	
2.4.3	Signal Strength Adjustment	
2.4.4	Pulse Scale Factors	
2.4.5	Miscellaneous Adjustments	
2.4.6	Mechanizing Automatic Locate	

## 2.1 Equipment Mounting

This section describes the physical mounting requirements for the RC3000 and optional sensor units. Wiring requirements are discussed in section 2.2.

### 2.1.1 RC3000 Antenna Controller

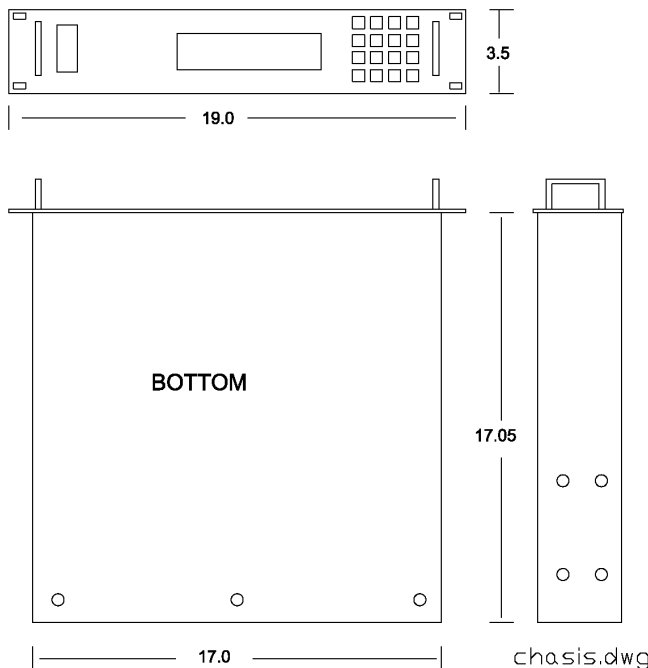
**NOTE: The RC3000 unit should not be installed in the rack until the final step of the Initial Configuration (section 2.3) because access to the interior of the unit may be necessary prior to that procedure. The cables may be run through the chosen location in the rack and connected to their respective components.**

The RC3000 enclosure is a standard rack mount chassis that occupies two rack units (2U). The front panel is mounted via four (4) 10-32 screws. Due to the length and weight of the RC3000, much strain can be put on the faceplate, particularly in a mobile unit. To help alleviate stress on the front panel mounting, additional mounting points accepting 10-32 and M4 screws are provided on each side, back and bottom of the unit. The user may use any of these additional mounting points to provide support for the RC3000 via strapping, shelving, etc. The additional mounting screws on the back of the unit may be also used to provide strain relief for cabling.

**CAUTION: support of the back of the RC3000 is a requirement. RCI's warranty does not cover repair to units with ripped faceplates.**

The RC3000's LCD is optimized for viewing from a 6 o'clock position. The optimum position to mount the unit would therefore be above the operator's eye level.

The following diagram shows the typical dimensions (in inches) of the RC3000. See appendix B for exact dimensions of your controller. See section 5 for a detailed depiction of the side mounting holes.

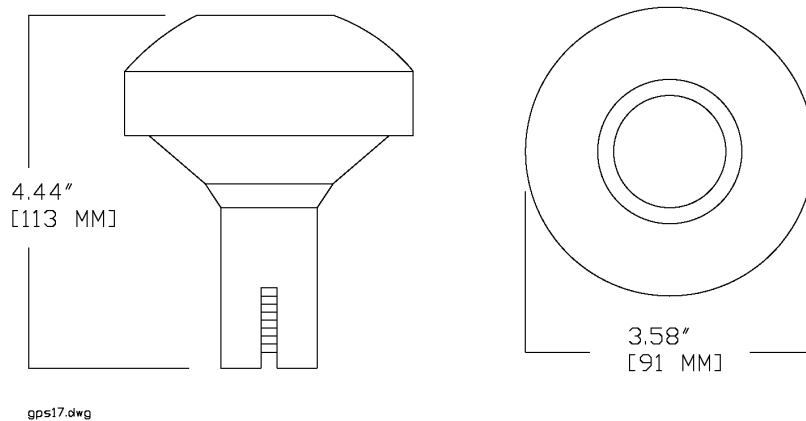


### 2.1.2 GPS Receiver

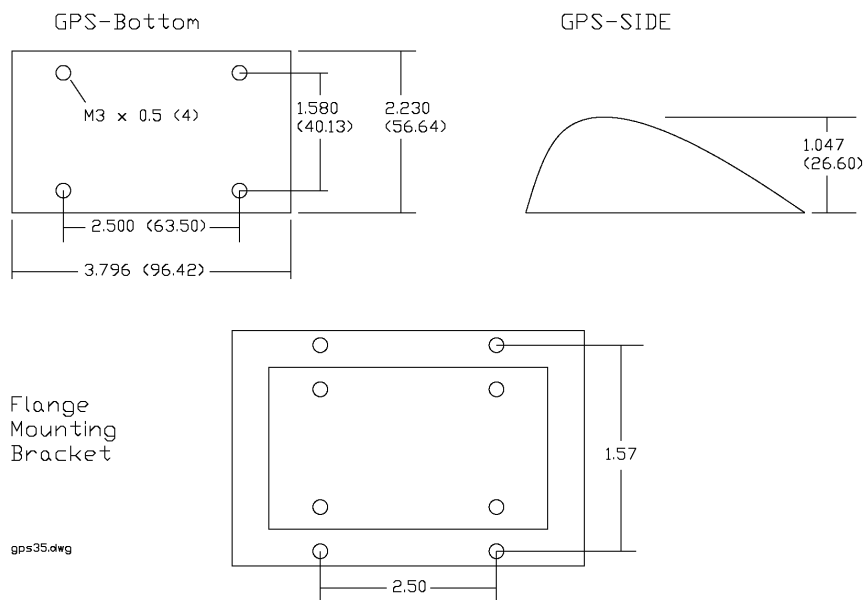
The optional GPS receiver (RC3000GPS) should be mounted in a position (such as the truck's roof) where it has an unobstructed view of the horizon and sky. It should be mounted outside of the reflector when in a stowed position, with the connector (on the underside) towards the cable's entry point into the truck. Care should be taken in the routing of the cable to avoid any problems.

The GPS receiver should be mounted at least three feet from other antennas and electrical generating equipment. Strong RF interference from other sources may disrupt the GPS receiver's signal reception. Wiring of the GPS connector is discussed in section 2.2.6.

Recent RC3000s have been supplied with the GPS17 receiver model. The following diagram shows its dimensions.



Earlier RC3000s were supplied with the GPS35 receiver model. The following diagram shows its dimensions.



The GPS35 unit is supplied with 25 feet of cable. The GPS35 unit is supplied with a flange mounting bracket as shown above. An optional marine mounting bracket is also provided.

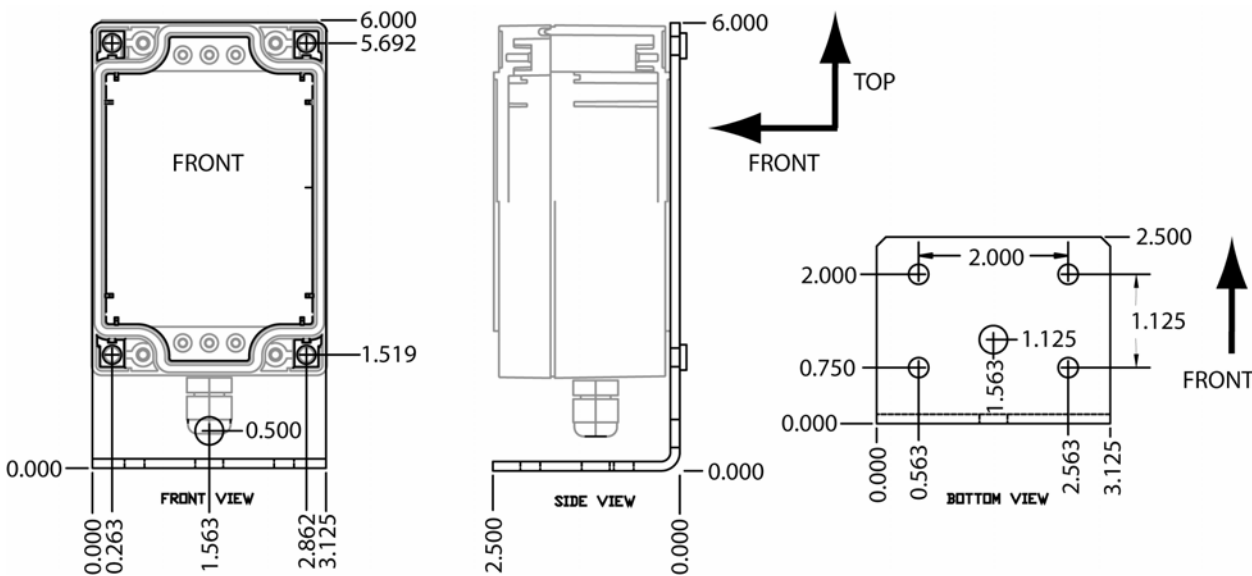
### 2.1.3 Fluxgate Compass

The optional fluxgate compass unit (RC3000FG) should be placed on the roof of the vehicle away from ferrous metals, electric motors, and any equipment that generates magnetic fields such as air conditioners, generators, and traveling wave tube (TWT) amplifiers. Experience has shown that the fluxgate performs best when mounted as high as possible on the vehicle. The fluxgate compass must be mounted in an upright position.

Some mounts position the compass on the mount so that the compass may be lifted well above the top of the vehicle. If the compass is attached to the mount, the compass configuration item (3.3.1.2.1) must be set to the "antenna mounted" value.

The RC3000 uses the fluxgate to determine the true heading of the mount's azimuth centerline (0.0 degrees azimuth). If the compass is not aligned in the direction of the azimuth centerline, that difference must be described in the azimuth offset configuration item (3.3.1.2.3). Some operators prefer to mount the compass pointing forward on the vehicle. If the mount faced rearward, an azimuth offset of 180 degrees would need to be input.

Refer to the drawing of the fluxgate enclosure to verify the proper orientation of the fluxgate. NOTE: An unhused version of the compass is available for use in a user-designed enclosure.



The Fluxgate Compass box may be either bracket mounted or flush mounted. Without the bracket it may be attached to a flat surface by four 10-32 screws from inside or outside the box through the four corner holes shown in the FRONT view diagram above. When using the bracket mount, it may be mounted with four 1/4 inch bolts using the holes shown in the bottom view of the bracket in the above diagram. The cable may be routed through either hole in the bracket. The circuit board may also be removed from the housing or an unhused model is available on order for custom installations.

The following method may be used to determine the best location for the compass.

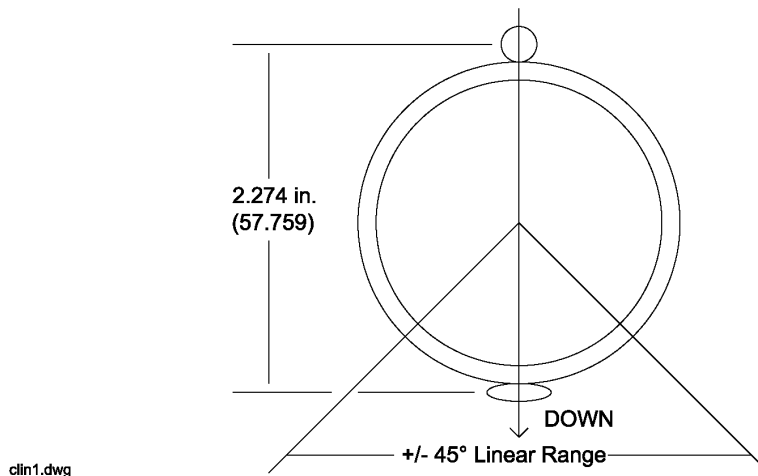
Park the vehicle in a location that is away from large metal objects or sources of magnetic fields. **NOTE: for best results, the vehicle should be parked facing in an easterly or westerly direction.** The vehicle's generator should be running, as well as all electrical equipment on the vehicle that generates magnetic fields.

Stand on the roof of the vehicle with a standard magnetic compass. Slowly lower the compass to the proposed fluxgate mounting location on the vehicle without changing the orientation (or heading) of the compass body. If the needle of the compass swings as the compass is lowered to the mounting location, it is due to distortion of the earth's magnetic field by ferrous metals on the vehicle, or magnetic fields generated by the vehicle.

The fluxgate should be mounted in the location where the needle of the compass experiences the minimum amount of swing as the compass is lowered to the proposed mounting location.

### 2.1.4 Electronic Clinometer

The electronic clinometer (also referred to as the inclinometer) should be positioned on the mount structure in an orientation that allows the inclinometer's linear range of movement to rotate through the antenna's RF boresight operational range.



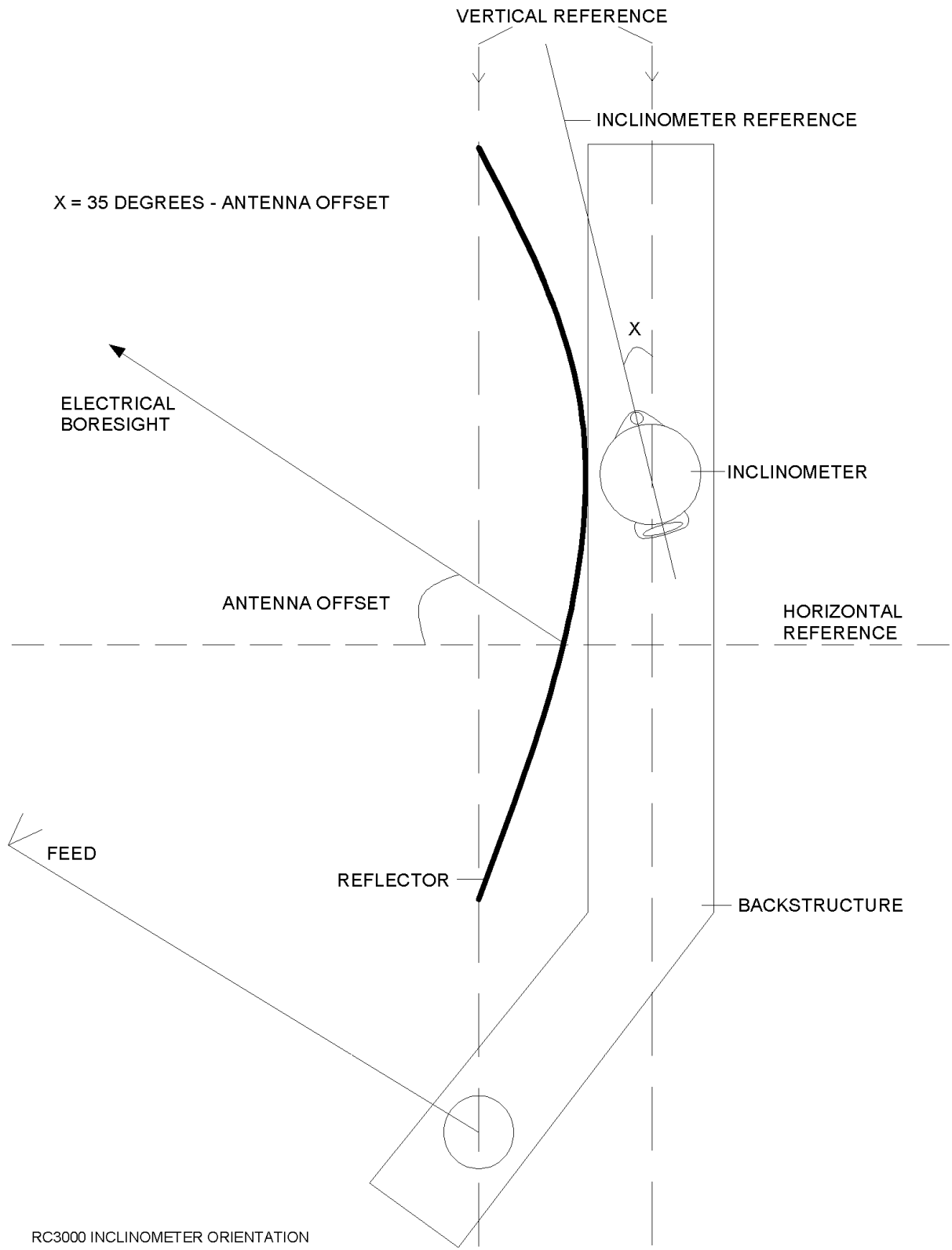
Determining the correct orientation of the inclinometer requires knowledge of the mount's mechanical structure and the antenna's RF offset. Typically the mount manufacturer will place the inclinometer in the correct position on the mount. See appendix B for the correct orientation for a particular mount.

The elevation position sense circuit of the RC3000 is designed to interface to the Lucas/Schaevitz AccuStar model 0211 1002-000 or 0211 1102-000 inclinometers. The inclinometer's position reference is marked on the body of the inclinometer. The inclinometer should be mounted such that the body of the inclinometer is rotated CW (as viewed by an observer looking at the front of the inclinometer) as the antenna's elevation angle increases. The inclinometer must also be oriented properly on the antenna mount.

To describe the orientation of the inclinometer, the term 'elevation offset angle' needs to be defined. Elevation offset angle is defined as the antenna's RF elevation pointing angle (relative to horizontal) when a straight edge oriented vertically across the face of the antenna reflector (reflector top to bottom) is plumb. The inclinometer should be oriented so that, when the antenna reflector is plumb, the reference mark is deflected CCW (from the vertical position) by an amount equal to the 35 degrees minus the 'elevation offset angle'. If the inclinometer is attached as described the sensor will operate in its most accurate region for elevation look angles up to 80 degrees.

The inclinometer mounting flange allows for some adjustment of the device's rotational orientation. The mounting position selected for the inclinometer should allow for adjustment of the inclinometer's orientation. The inclinometer should be mounted in a location such that it is protected somewhat from blowing rain.

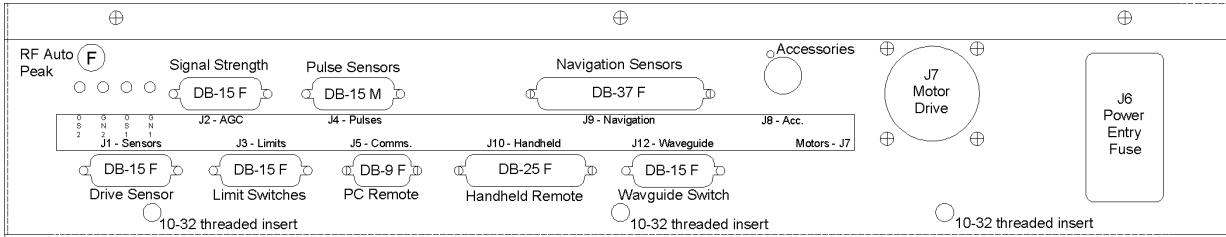
See section 2.2.3 for wiring of the inclinometer.



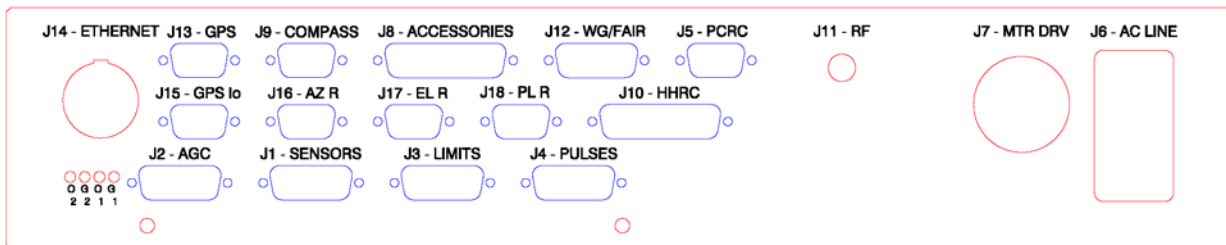
## 2.2 Electrical Connections

This section provides cabling requirements for interfacing to the RC3000. Note that cables should be made long enough to allow the unit to be open while still connected to the system.

The following sections supply a schedule of connection requirements. Note that the pinout requirements for J1, J3, J6, J7 and J10 are the same as required for RC8097 installations and therefore should not require rework of those cables for retrofitting to the RC3000. The following diagram shows the typical location of the backpanel connectors on original (serial # < 2000) controllers.



Second Generation RC3000s (serial # > 2000) have a slightly different connector arrangement. For example, rather than having a single DB-37 for navigation sensors, the second generation controllers have individual DB-9s for each sensor. Any differences between original and second generation connectors will be described in the following paragraphs.



Also, some versions of the RC3000 have customized backpanels to accommodate existing antenna connector schemes.

See appendix B for your exact backpanel configuration.



### 2.2.1 Power Entry

J6 is an IEC male power connector on the backpanel for supplying AC power to the RC3000.

The RC3000 is shipped from the factory with a line cord appropriate for the line voltage selected. If the line cord received with the unit is not appropriate for the power available at the installation site, the installer should check the controller to ensure that the proper line voltage has been selected.

The RC3000A can be configured to operate on either 115 VAC or 230 VAC. The AC input voltage the unit is currently configured for is displayed in a window located in the fuse holder. To change the AC input voltage selection, remove the fuse holder and reverse the jumper assembly (on which the '115' and '230' labels are located).

**To convert AC Voltage.** Switch the power off at the front panel. Remove the IEC power cord from the back panel power entry module. With a small straight-blade screwdriver, remove the fuse drawer from the power entry module. With the same tool, remove the small plastic circuit card. Rotate the card so that the desired operating voltage will be displayed through the front of the fuse drawer and reinsert the card so that it firmly seats into the power entry module.

**NOTE: The RC3000B can only be configured for 115 or 230 VAC since the internal DC motor controller module is different for each voltage. The fuse holder is glued into the correct voltage position and cannot be modified as in the RC3000A case.**

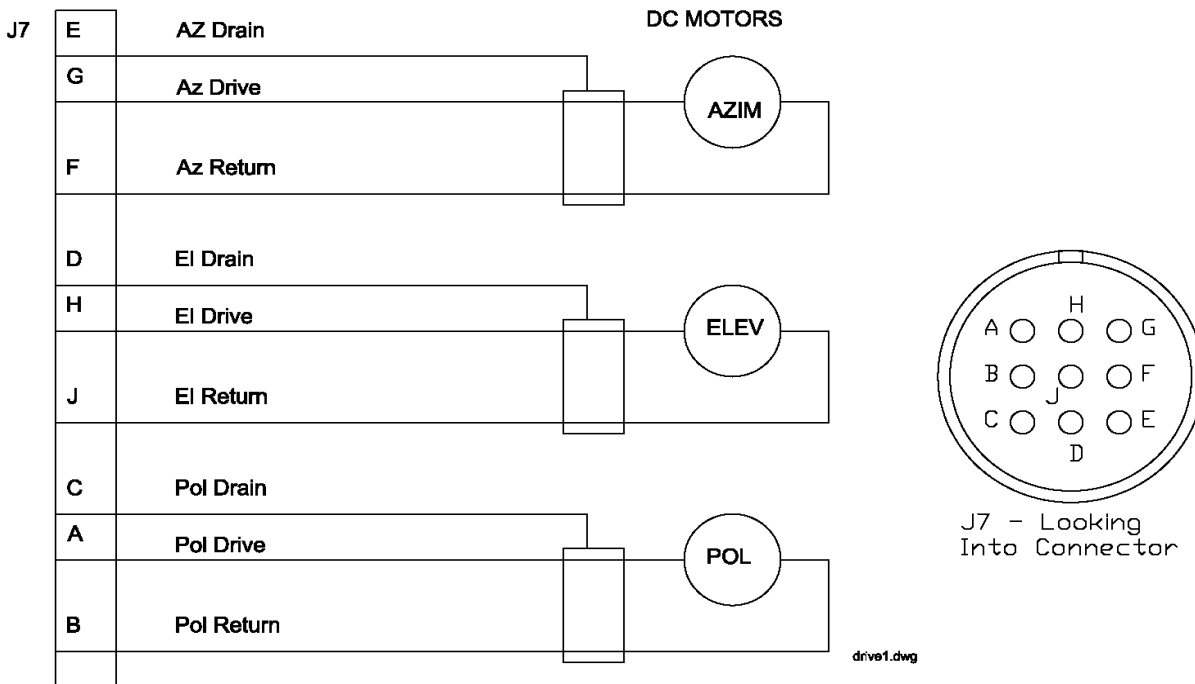
The fuse holder is designed to accommodate 1/4" by 1 1/4" fuses. "Slow Blow" type fuses should be used. The following table shows the appropriate fuse for each model and line voltage combination.

MODEL	LINE VOLTAGE	
	115 VAC	230 VAC
RC3000A	8 Amp	4 Amp
RC3000B	12 Amp	6 Amp

Some RC3000 units may be fitted with an optional card that automatically senses 115 or 230 VAC input.

### 2.2.2 Motor Drive

J7 is an MS3102A22-20S (Female on backpanel) connector, which terminates three motor cables. The minimum wire size for these cables is 16AWG.



The RC3000A is designed to drive 12 to 36 volt DC azimuth, elevation, and polarization motors. The absolute maximum allowed motor current is 12 Amps. The RC3000A employs a built-in, solid-state motor controller (model 25A8 from Advanced Motion Controls). The motor drive module supports IR compensation, current limiting, dual speed operation, and dynamic braking. The drive train is also protected with resettable fuses.

The RC3000B is designed to drive 90 volt (3/4 horsepower max) or 180 volt (1.5 horsepower max) DC azimuth and elevation motors. Ideally, 90 volt DC motors would be specified with 115 VAC input power and 180 volt DC motors with 230 VAC input power. 180 volt motors cannot be used with 115 VAC input power. The motor drive in the RC3000B is the model KBPB by KB Electronics. This motor drive supports IR compensation, current limiting, dual speed operation, and dynamic braking.

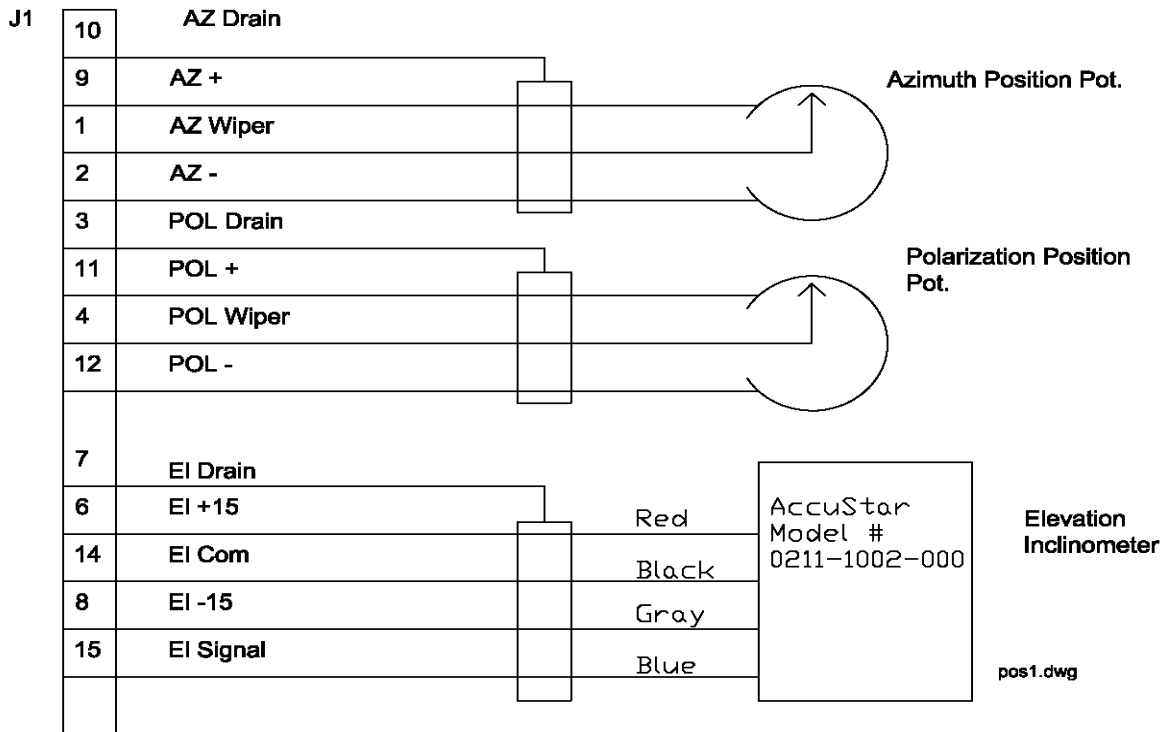
The polarization drive of the RC3000B is designed to power a 12 volt DC motor which draws less than 400 ma.

The following table describes the polarity of the RC3000's motor drive output signals.

Axis	RC3000 Connector J7 Terminals	Polarity
Azimuth	G, F	Azimuth CW – G has higher potential
Elevation	H, J	Elevation UP – H has higher potential
Polarization	A, B	RC3000A: Polarization CW – B has higher potential RC3000B: Polarization CW – A has higher potential

### 2.2.3 Drive Sense

J1 (DB-15 Female on backpanel) receives position sense from the azimuth and polarization potentiometers and the elevation inclinometer.



Normally, it is not necessary to modify the sensors on the antenna. The antenna manufacturer should insure that the antenna is compatible with the RC3000. This information is provided for informational purposes only.

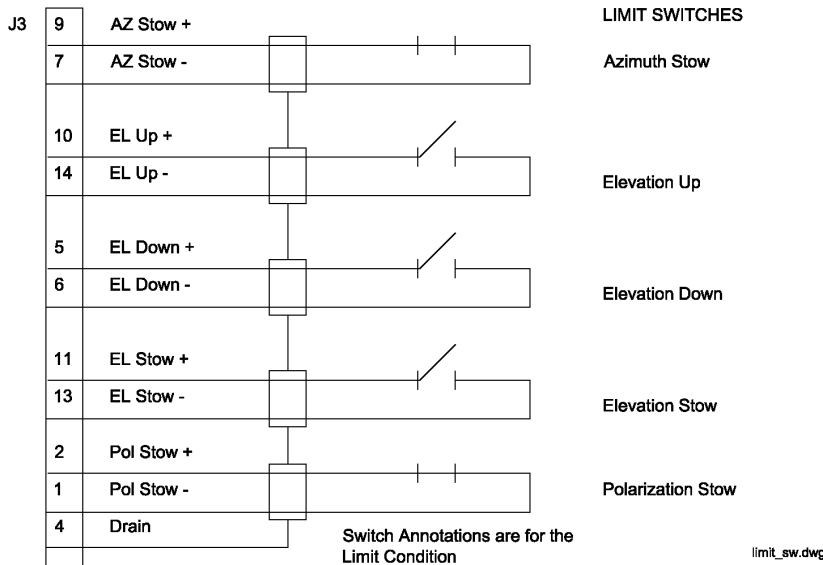
The directional sense of azimuth movement is defined as clockwise (CW) or counter-clockwise (CCW), as viewed by an observer located above the antenna. On the controller, CW movement results in a greater sensed azimuth position.

The directional sense of elevation movement is defined as UP when the RF look angle of the antenna is increasing.

The directional sense of polarization movement is defined as CW or CCW, as seen by an observer standing behind the antenna reflector looking 'through' the reflector at the satellite. **See diagram in section 1.3.7 – Polarization Control.** The reference position for the polarization position angle is vertical polarization for a satellite located at the same longitude as the antenna. In the northern hemisphere, for vertically polarized satellites to the west of the antenna, the polarization deflection is defined as CW relative to the reference position. In the northern hemisphere, the polarization angle increases for satellites farther to the west. In some modes of operation the controller predicts the polarization value required to align the antenna with a given satellite's horizontal or vertical polarization position. For this feature to function properly the antenna's polarization directional sense characteristics (defined by the polarization motor and position sensor) must be consistent with that of the controller.

### 2.2.4 Limit Switches

J3 (DB-15 Female on backpanel) connects to the azimuth stow, elevation stow, elevation up and elevation down limit switches.



The + side of each limit switch circuit supplies 12 VDC. This 12 VDC supply is protected by a resettable fuse rated at 250 mA.

The azimuth stow switch must be closed when at the azimuth stow position. If the azimuth stow limit switch cable is severed, the RC3000 will think that the azimuth axis is not at the stowed position. Logic within the RC3000 will not allow elevation to move below the elevation down limit switch if an azimuth stowed condition is not recognized.

The elevation up switch must be open when the elevation axis has reached the up limit. If the elevation up limit switch cable is severed, the RC3000 will think that the elevation axis is at the up limit. Logic within the RC3000 will not allow the elevation axis to move up if an up limit condition is recognized.

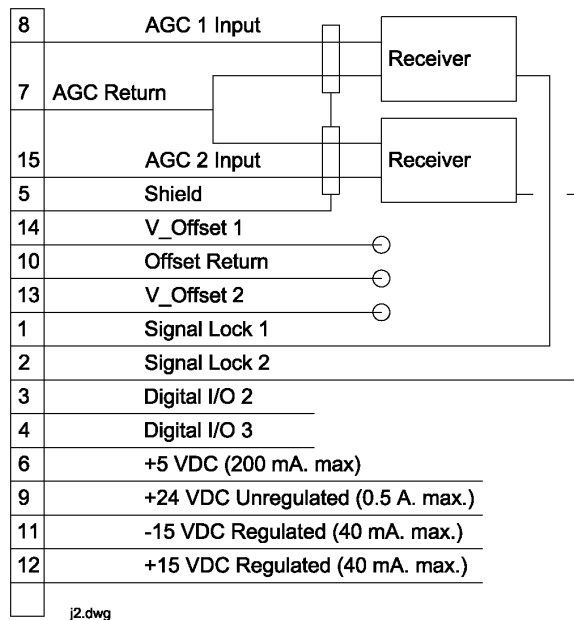
The elevation down switch must open when the elevation axis has reached the down limit. If the elevation down limit switch cable is severed, the RC3000 will think that the elevation axis is below the down limit. Logic within the RC3000 will not allow the azimuth axis to move when the elevation down condition is recognized.

The elevation stow switch must open when the elevation axis has reached the stow position. If the elevation stow limit switch cable is severed, the RC3000 will think that the elevation axis is at the stow position. Logic within the RC3000 will not allow the elevation axis to move down when the elevation stow condition is recognized.

NOTE: When the elevation stow limit is sensed, the RC3000's hardware also internally generates an elevation down indication. To test the elevation down limit switch from the RC3000's backpanel (pins 5 & 6), pins 11 & 13 (elevation stow) must be jumpered to simulate a situation where the elevation axis is not stowed.

## 2.2.5 Signal Strength

J2 (DB-15 Female on backpanel) connects to receivers, modems, etc., to provide signal strength indication for autopeaking and tracking. J2 also supports 4 bits of digital I/O and various bus voltages that allow for future expansion.



The received signal strength from the system receiver must be between  $-15$  VDC and  $+15$  VDC. The signal may be of either positive or negative polarity (see section 2.4.3 - signal strength adjustment).

A shielded pair, such as Alpha 1292C, should be used to minimize external noise pickup on the signal strength line. The shield should be connected at the RC3000 system ground and open circuited at the receiver.

The offset test points need to be made available (flying leads, etc) for use in the signal strength calibration step.

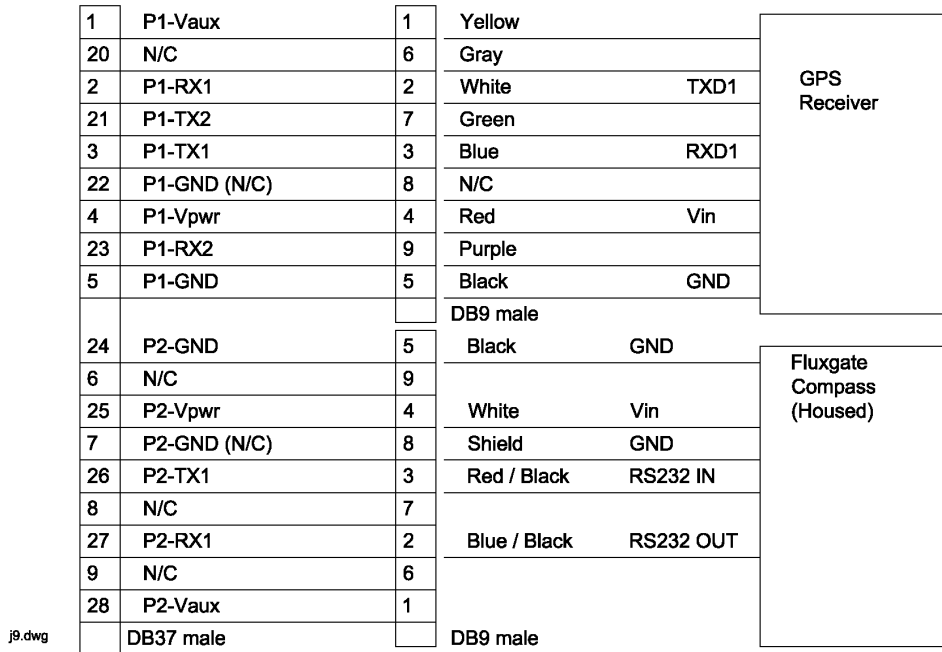
Associated with J2 are offset and gain potentiometers for signal strength channels 1 and 2. These potentiometers are accessible via the back panel.

The two signal lock inputs require TTL level ( $<0.8$  VDC-low,  $>3.5$ VDC-high) signals. Signal\_Lock 1 is associated with the AGC1 input (SS1) and Signal\_Lock 2 with the AGC2 input (SS2). Either of the two signal lock inputs may be associated with a RF autopeak scan as described in section 3.3.1.2.5.

The unregulated 24 VDC available at pin 9 may be used to provide DC bias to a LNB. This voltage supply is protected by a resettable fuse. Please consult Research Concepts Inc. for assistance if you wish to use this supplied voltage.

### 2.2.6 Navigation Sensors

J9 (DB-37 Female on backpanel) provides four RS-232 ports to connect the optional fluxgate compass and up to 3 GPS receivers. Route the cable away from electrically noisy devices (motors, air conditioners, etc.) to avoid unnecessary problems.



#### Original RC3000s

A DB-37 to two DB-9 Female cable is supplied for connecting to the GPS receiver and the Fluxgate compass. Pinouts for the third and fourth serial ports available from J9 are not shown as these ports are currently not used.

The J13 DB-9 (Female on backpanel) connector (below the J7 drive connector) provides a “GPS loopout” interface. Another device (such as a TDMA modem) may listen to the output of the GPS receiver in order to obtain latitude, longitude, height, time, etc. The pinout of J13 is identical to the GPS DB-9 connector shown above.

#### Second Generation RC3000s

Rather than having the DB-37 connector, there is an individual DB-9 Female (J13) for the GPS interface and an individual DB-9 Female (J9) for the compass. The pinouts of these connectors will be as shown above for the DB9s.

NOTE: the GPS loopout connector is designated J15 (DB9 Female on backpanel) on second generation RC3000s.

## 2.2.7 Accessories

J8 (9 pin DB-Receptacle) is an accessory connector. It contains pins that support the following functions of the RC3000: High-power-amplifier (HPA) disable, system alarm contact closure output, 1 pulse-per-second output (optional depending on GPS in-use), and a circuit that can allow for instant access to the GPS position solution. On some units, two of the pins may be diverted to power auxiliary equipment.

The HPA disable is in a form-C contact arrangement with a normally-open, normally-closed and common contacts. While the antenna is below the down elevation limit or while the antenna is performing any large-scale auto-moves, such as deploy, locate, or stow, the normally-closed and common pins will be connected. After the auto-move is complete, the connection will be released.

The Alarm output contact closure consists of a normally closed and a common contact. In the advent of a RC3000 mains power failure, the contact will close allowing an audible alarm or lamp to be lit.

The instant GPS solution feature is realized by powering the GPS receiver(s) during transit to the shoot location and for a roughly 30 minute period after the vehicle ignition is turned off. Without this feature, GPS solution lock-up time will range from 2 to 4 minutes after RC3000 power up. The exact time depends on how long it has been since the receiver last had a solution and how far the receiver has moved from its last location.

The Instant GPS feature requires a connection to the vehicle +12V battery system (+12V to +14V on all of the time), a connection to the +12V vehicle accessory voltage (+12V on while the vehicle ignition system is on), and a connection to the vehicle chassis ground. While the vehicle ignition system is on and for 30 minutes after the ignition is shut off, power is routed to ports 1, 3, and 4 of the navigation sensor connector, J9. This feature must be enabled on the RC3000 feature board by installing diodes D31 and D29. The GPS receiver will typically draw less than 200 mA. at 12VDC.

On certain units, when requested at the time of order, an unregulated power supply voltage can be made available on pins 2 and 8 of this connector at the expense of the instant GPS feature.

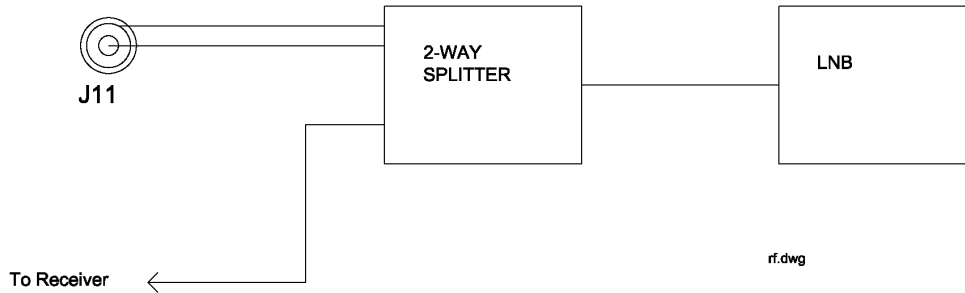
Earlier RC3000 models mechanized J8 via a round Amphenol 126 series connector. Second Generation controllers put the HPA and alarm relays on a DB-25 (Female on backpanel) connector. The following table shows the pin connections for all connector types.

DB-9	AMP 126	DB-25	DESCRIPTION
1	A	1	HPA Disable, normally-open, 3A @ 30VDC max or 3A @ 250VAC max
2	B		+12 - +14V Vehicle Battery input (OR +Vunreg. for auxiliary output models, 2A max)
3	C		Ground, Vehicle chassis ground input
4	D	15	HPA Disable, common, 3A @ 30VDC max or 3A @ 250VAC max
5	E	3	HPA Disable, normally-closed, 3A @ 30VDC max or 3A @ 250VAC max
6	F	16	Alarm common, 3A @ 30VDC max or 3A @ 250VAC max
7	H	4	Alarm normally-closed, 3A @ 30VDC max or 3A @ 250VAC max
8	J		+12 to +14V Vehicle accessory input (Vunreg. Return for auxiliary output models)
9	K		1PPS output, TTL compatible (only available GPS model 36 receiver)

The other pins on the DB-25 connector are available for custom interface requirements. See Appendix B.

## 2.2.8 RF Autopeak

J11 (Type F Female connector on backpanel) is the input to the RF Autopeak circuit. This input accepts the output of an LNB (950-2150MHZ, -50 to -5dBm.)



The RF autopeak module inside the RC3000 produces an output proportional to the broadband energy received. The RF autopeak circuitry includes a “DC block”. When this input is being used, it is indicated on RC3000 screens as the “RF” signal source.

See sections 2.4.3.1 and 3.3.1.2.6 regarding use of the L-Band power detector input.



## 2.2.9 Hand Held Remote

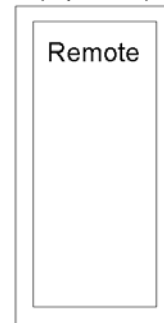
J10 (DB-25 Female on backpanel) connects to the optional hand-held remote control (RC3000HRC) which allows antenna jog operations independent of the front panel. The remote control is housed in a 3" x 6" x 1.75" aluminum case. The remote control should be connected to the RC3000 with a 25' multi-conductor cable.

### P10 - Hand Held Remote Control

DB25 male

1	Black w/ White Stripe
2	Red w/ Black Stripe
3	Orange w/ Black Stripe
14	Black w/ Red Stripe
4	Orange w/ Red Stripe
17	Blue w/ Red Stripe
5	Red w/ White Stripe
15	Blue w/ White Stripe
6	Green w/ White Stripe
19	Green
7	Orange
20	Red
8	Blue w/ Black Stripe
21	White
9	Green w/ Black Stripe
22	Blue
16	White w/ Red Stripe
23	Black w/ Red & White Stripe
11	Green w/ Black & White Stripe
24	Red w/ Green Stripe
12	White w/ Red & Black Stripe
25	Orange w/ Green Stripe
13	Red w/ White & Black Stripe

(Optional)

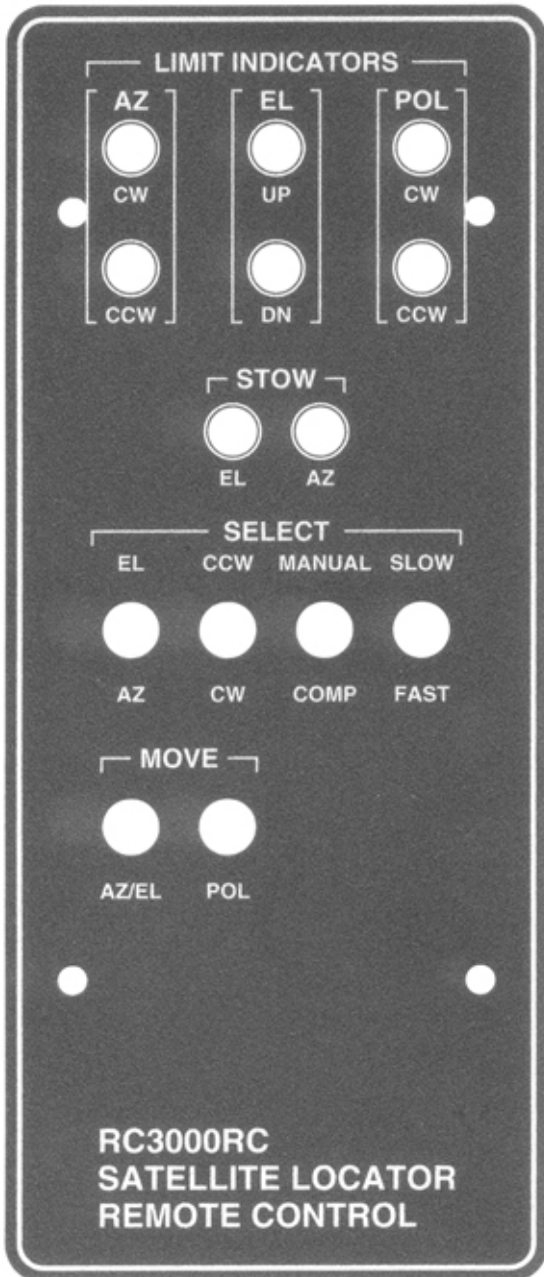


The RC3000HRC places all of the antenna move functions and antenna limit indicators into the operator's hand. The LEDs on the remote switch-pad indicate the antenna limit status:

Azimuth Axis: STOW, CCW Limit, CW Limit.

Elevation Axis: STOW, Up Limit, Down Limit.

Polarization Axis: CCW Limit, CW Limit.



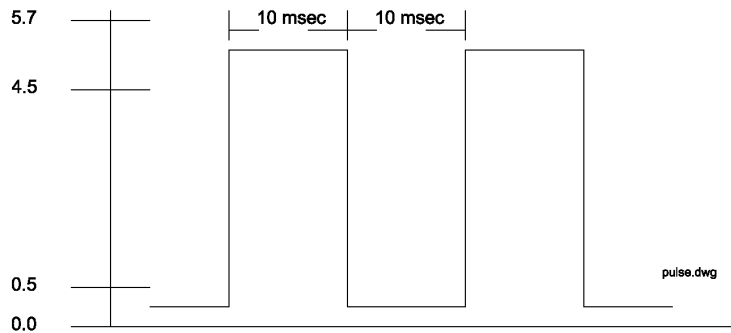
When the COMP/MANUAL SELECT switch is at MANUAL, control of the azimuth, elevation and polarization axes is via the handheld remote panel. The SELECT and MOVE switches may then be used to configure and initiate movement of one of the three (azimuth, elevation or polarization) axes. Moving the switch back to the COMP position returns control to the RC3000's frontpanel.

### 2.2.10 Pulse Sensors

**NOTE: Pulse sensors are typically only installed on some mounts in order to mechanize the optional inclined orbit tracking feature. This section may be skipped if pulse sensors are not present.**

In order to obtain higher resolution azimuth and elevation axis position feedback, the RC3000 may use single phase pulse type sensors to determine the position of the antenna. A pulse type sensor produces a rectangular shaped waveform as the antenna moves about the axis associated with the sensor. A quadrature pulse type sensor produces 2 rectangular waveforms, one being 90 degrees out of phase with the other. With a quadrature type pulse sensor it is possible to determine which way the antenna is moving. The RC3000 software currently does not yet support quadrature sensors.

The RC3000 controller counts the number of rising and falling edges of the waveform. The position count is decremented for counter-clockwise movement and incremented for clockwise movement. The waveform's high level should be 4.5 to 5.7 volts, and the low level should be 0.0 to 0.5 volts. The waveform's minimum high or low pulse duration should be at least 10 milliseconds. This means that pulses less than 10 milliseconds long may not be detected by the antenna controller. The maximum number of counts from the antenna's east limit to its west limit should be less than 65535. Remember, each rising edge and each falling edge of the sensor's output waveform is a separate count.



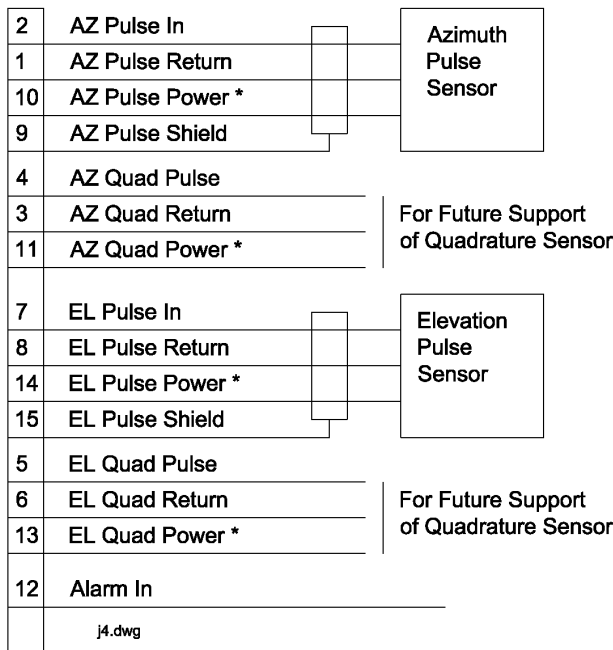
Many large antennas use a sensor attached directly to each of the fundamental axis of the antenna. The sensor used may be a synchro, potentiometer, or a quadrature pulse encoder. A pulse type sensor attached to the fundamental axis of the antenna is not suitable for use with the RC1000A or RC2000A antenna controllers. When a rising or falling edge is detected on the antenna controller's sensor input, the antenna controller must determine whether to increment or decrement the position count. Since single phase pulse sensors are used, the antenna controller must determine which way the antenna was last commanded to move, and decrement or increment the count accordingly. With a pulse sensor connected directly to the antenna's fundamental axis, when the antenna vibrates back and forth due to wind, the pulse sensor produces a steady stream of pulses. The antenna controller will increment or decrement the count depending on which way the antenna was last commanded to move. In reality the antenna is just vibrating in the wind and not really moving. The result of this is an error in the position count maintained by the antenna controller.

On a large antenna, the solution to the sensor dilemma is to place a sensor on the output of the motor. Most motors attach to the gear reduction systems via a C56 type flange. There are pulse sensors which may be placed between the motor and the transmission at this flange. Remember that any pulse sensor used must conform to the requirements of the antenna controller, which are: 1) the total number of rising

and falling edges must not exceed 65535, 2) the duration of the high and low segments of the waveform must be at least 10 milliseconds, 3) the high level of the waveform must be 4.5 to 5.7 volts, and 4) the low level of the waveform must be 0.0 to 0.5 volts.

A number of manufacturers make sensors which may be placed directly between the motor and the transmission on the C56 flange; Dart's CF Series (ph. 317-873-5211) and Fenner's QRK 56C model (ph. 612-424-7800) are two examples. Regardless of what type of sensors used, the user must ensure that the four requirements outlined above for the sensor waveform are met. Some signal conditioning circuits may be required to meet the waveform high and low level specification. **Note that there is a 5.7 volt supply available on the back of the antenna controller.** The maximum current draw from this supply should not exceed 200 milliamps. To insure that the pulse duration requirement is not violated, the user should consider the speed of the motor (RPM) and the number of pulses produced by the sensor for each revolution of the motor. To make sure that the total sensor waveform edge count requirement is satisfied, the user must determine how many revolutions of the motor are required to move from the east limit to the west limit (and from the down to the up limit) along with how many edges are produced for each revolution of the motor.

J4 (DB-15 Male on backpanel) connects to the pulse sensors.



\*1 Sensor supply voltage may be configured via resistor changes for 5.79, 8.07, 8.59, 10.11, 12.0, 14.94 VDC (5.79 default). NOTE: Reed Switch type sensors do not require the pulse power (pins 10 & 14) signal.

If reed switch sensors are used, each axis requires 2 wires in a shielded cable. If Hall Effect sensors are used, each axis requires 3 wires in a shielded cable. Shielded cables are required to minimize noise pickup which can result in antenna positioning errors.

NOTE: SHIELDED CABLES ARE REQUIRED FOR THE POSITION SENSORS. THE SHIELDS MUST BE CONNECTED TO PINS J4-9 OR J4-15 ON THE BACK OF THE CONTROLLER AND MUST NOT BE CONNECTED AT THE ANTENNA.

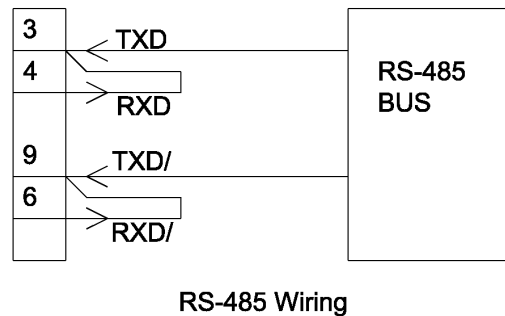
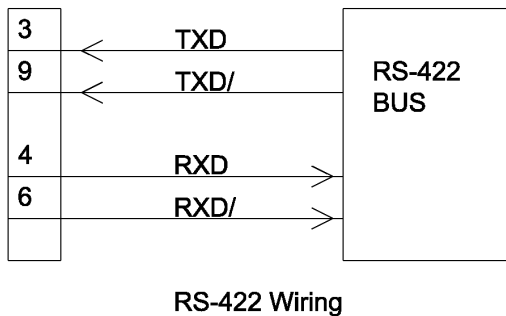
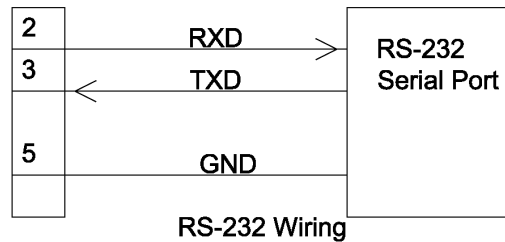
Position count errors due to improper use of the position sense line's shield is one of the most frequent problems encountered during the installation of the RC3000. Here are the problems that are encountered:

- 1) A shielded cable was not used for the position sense wires.
- 2) The shield is not connected at connector J4 on the rear panel of the RC3000.
- 3) The shield is connected to earth ground at the antenna. This results in ground currents flowing in the shield. The shield must not be connected to anything at the antenna.
- 4) The insulator on the sensor cable is broken and the shield is grounded to something. As in #3, this results in ground currents.
- 5) The sensor cable is spliced but the shield has not been spliced, or the shield is spliced but is also shorted to earth ground.

See the troubleshooting (section 4) for more information on count problems.

### 2.2.11 Remote Control

J5 (DB-9 Female on backpanel) allows for optional remote control (RC3000CRC) of the RC3000. The RC3000 may be configured to communicate either by the RS-232 or the RS-422 / RS-485 standards.



The RC3000 is shipped from the factory configured for RS-422/RS-485 operation.

#### Original RC3000s

To configure the RC3000 for RS-422 or RS-485, connect the remote control ribbon cable inside the RC3000 to connector J10 on the feature board. Jumper J12 on the feature board must be placed in the RS-422 position.

To configure the RC3000 for RS-232, connect the remote control ribbon cable inside the RC3000 to connector J11 on the feature board. Jumper J12 on the feature board must be placed in the RS-232 position.

#### Second Generation RC3000s

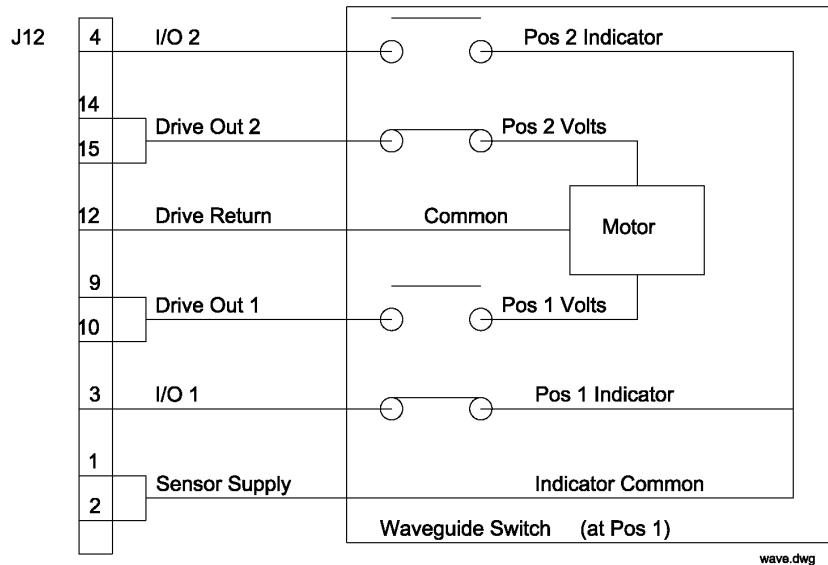
To configure the RC3000 for RS-422 or RS-485, set the J12 jumper on the analog board to the -422 position and set jumpers X1 through X5 to the -422 position.

To configure the RC3000 for RS-232, set the J12 jumper on the analog board to the -232 position and set jumpers X1 through X5 to the -232 position.

Newer RC3000s also allow for the remote control to interface with an optional internal card hosting a web page. To configure the RC3000 for this, set the J12 jumper to the "RABBIT" position.

## 2.2.12 Waveguide Switch

J12 (DB-15 Female on backpanel) connects the optional waveguide switch (RC3KF-WG-DRV1) module to a waveguide switch of the type shown in the following diagram.



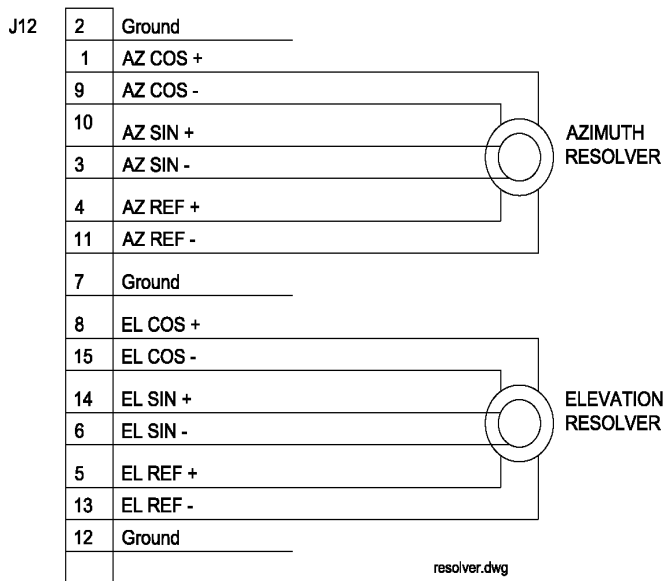
Drive Out 1,2 provide 28 VDC to energize the waveguide switch.

**NOTE: The RC3000 (3.2.1.2) assumes the waveguide switch's position 1 is the horizontal (H) position. If the H and V positions need to be reversed, both the position volts (9/10 and 14/15) and the position indicator (3 and 4) lines need to be swapped.**

### 2.2.13 Resolver Inputs

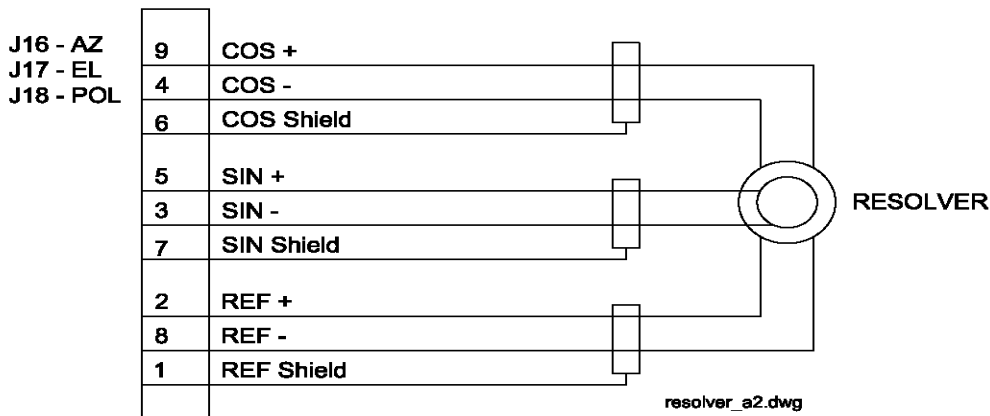
#### Original RC3000s

When the optional resolver input board (RC3000RSLVR) is required, J12 (DB15 Male on backpanel) is used for azimuth and elevation position information.



#### Second Generation RC3000s

Individual connectors (DB-9 Female on backpanel) are provided as needed for each axis.



Suggested resolver cables would have three shielded, twisted pairs of 22 AWG (such as Belden 87777).



## 2.3 Initial Configuration

Whereas Final Calibration (section 2.4) requires an open area with an unobstructed view of satellites, initial configuration may be done in any area (possibly a shop environment) where the antenna may be moved throughout its entire range of travel.

At this point, the installer will have to start operating the RC3000 from the front panel. Section 3 will need to be reviewed to perform the steps described below.

### 2.3.1 Software Initialization

**Initial Power Application.** Before powering the unit on for the first time, please confirm that the input voltage the unit is configured for matches the intended input supply voltage. See section 2.2.1.

**Software Version Verification.** When the RC3000 is turned on, a power up banner appears for 3 seconds. This banner indicates the software options enabled in the RC3000's EPROM and PLD. The software option data shown should be checked to confirm that all desired options are available. See 1.2 (Controller Features) for a description of the various software options.

**Enable Expert Access.** To perform RC3000 programming steps described below, expert access permission must be enabled. Expert access permission is enabled as the factory default, but may have been turned off if this is not the initial system configuration attempt. See 3.3.1.1.1 (Expert Access Permission) for description of how to view/modify the expert access configuration item.

After installation is complete, expert access may be turned off to lessen risk of configuration settings being unintentionally modified. Disabling expert access will also present a less complex set of screens for normal operation.

**Reset System Defaults.** The RC3000 is shipped with the default parameters set for the particular mount and software options. Most of the default values stored in non-volatile memory should be applicable. A few items (antenna size, etc) may not be initially set to values appropriate for a particular installation. Setting these values will be described next.

If the RC3000 has previously been configured, the installer may want to reset the system defaults as described in 3.3.1.3.1. **NOTE: the current value of all configuration items should be recorded prior to resetting system defaults.**

**System Definition.** The SYSTEM DEFINITION configuration screen (3.3.1.2.1) allows the user to indicate whether or not the optional GPS receiver is present, if and how the fluxgate compass is mounted, whether or not the optional waveguide switch module is present, the size of the reflector in use and what mode the user prefers the RC3000 to go to upon power up. The user may also enter the unit's serial number for later reference.

```

GPS: 1                                CONFIG-SYSTEM
COMPASS: 1          SN:1234          WAVEGUIDE: 0
MODE: 2  ANT_SIZE: 120
<1>GPS PRESENT <0>NOT PRESENT

```

Follow the description in section 3.3.1.2.1 and set the SYSTEM DEFINITION items to the correct value for this installation.

**Azimuth/Elevation/Polarization Calibration.** The next three steps calibrate the mount's elevation, azimuth and polarization axes. Place the RC3000 in MANUAL mode. Values for the azimuth, elevation and polarization axes should be displayed, though they may not be reasonable since calibration has not yet been performed.

For each axis, limit switch status will be confirmed, position feedback will be calibrated and total range of movement will be tested.

**NOTE: be careful when initially moving a mount since limit switches may not yet be configured correctly. In MANUAL mode, movement will stop whenever a particular jog key is released. The RC3000 may also always be turned off to stop movement.**

Throughout the 3 axis' calibration procedures, two MAINTENANCE screens will be used extensively.

One of the MAINTENANCE screens used is the Analog to Digital Voltage screen (see 3.3.2.1). This screen shows raw data coming from antenna position sensors (potentiometers and resolvers).

```
AZ: 1.114 181.30 33004 AD VOLTAGES
EL: 1.143 1 122.30 22264 22.3 L1:1
POL:2.237 181.30 33044 L2:1
SIG: 3.756 (1) <1>RF <2>SS1 <3>SS2 <4>GND
```

Another MAINTENANCE screen that will be used is the Limits Maintenance screen ( see 3.3.2.5). This screen shows the current sensed state of limit switches for all three axes.

```
AZIM CW:0 CCW:1 STOW:0 (0-OFF) LIMITS
ELEV UP:1 DN:1 STOW:1 (1- ON) ACTIVE
POL CW:0 CCW:1 STOW:0
<BKSP>MAKE LIMITS INACTIVE <MODE>EXIT
```

Before beginning axes calibration, the installer should become familiar with accessing these screens.

### 2.3.2 Elevation Calibration

Steps to perform elevation calibration will be described starting with the elevation axis in the stowed position.

#### STEP 1.- STOW Limit Confirmation

With the elevation axis in the stowed position, go to the Limits Maintenance screen (3.3.2.5) to confirm that the ELEV STOW and Down (DN) limits are active.

Also confirm that the elevation UP limit is inactive. If the UP limit is active, the RC3000 will be prevented from moving the elevation axis up from the stowed position.

If the initial state of the elevation STOW, DOWN and UP limits is not correct, check the limit switches and wiring (2.2.4).

#### STEP 2. – Initial Movement

The next action is to raise the antenna in elevation. Push the UP key from MANUAL mode. The antenna should rise. If not, check the polarity of the motor drive lines (section 2.2.2).

As the elevation axis comes out of the stow position, the STOW limit should inactivate but the DOWN limit should remain active. This may be observed from the MANUAL screen by seeing the elevation “STOW” indication change to a “DOWN” indication.

The elevation sensor should be mounted on the antenna so that the sense voltage produced at the sensor increases as the antenna is jogged upward. In MANUAL mode, when the EL UP (2) key of the RC3000 is depressed (and if the antenna moves up) the elevation position should increase (see section 2.2.3).

Note that the elevation position seen in the MANUAL screen might not initially change if the inclinometer is still outside of its operational range or if the inclinometer is mounted on a feedboom that doesn't rise until the reflector has moved up a certain distance.

The following steps will require values to be entered in the ELEVATION CALIBRATION configuration screen (see 3.3.1.2.2).

REF_V:1.69	OFF: 0.0	CONFIG-ELEV
DOWN: 0	UP: 90.0	SF:50.00
LOOK:1		
SET REFERENCE VOLTAGE <0.50 - 3.50>		

**NOTE: the elevation offset item should be set to 0.0 before any further elevation calibration is performed.** Any required elevation offset will be determined during the azimuth and elevation alignment step (2.4.2) as part of the final calibration steps. The LOOK configuration item is meaningful for only a small number of mounts (see appendix B). In most cases the value of this item is irrelevant.

### STEP 3a. – Inclinator Reference Voltage

To perform this step, raise the antenna until the reflector is in the reference position appropriate for this mount (see Appendix B). For the majority of mounts, the reference position corresponds to having the reflector's face vertical. This angle can be confirmed by use of a level or digital inclinometer placed on a correct portion of the antenna structure.

The elevation voltage shown on the AD VOLTAGES screen (3.3.2.1) should be near the target value for your mount as noted in appendix B. For the majority of mounts, this target voltage will be around 1.69 volts. This voltage allows for the greatest range of linear feedback from the elevation inclinometer throughout the mount's operational range. If not, loosen the elevation sense restraining plate and rotate the inclinometer until the elevation voltage is as near to the target voltage as possible. Secure the restraining plate and record the voltage.

**Recorded Elevation Reference Voltage \_\_\_\_\_ V**

Move to the Elevation Calibration configuration screen and enter the recorded value in the REF\_V item. This will define to the RC3000's software the voltage that should be seen when the elevation axis is in its reference position. To verify that data has been entered correctly, return to the MANUAL mode screen. The displayed elevation angle should be near the RF look angle offset of the reflector (see appendix B).

### STEP 3b. Elevation Resolver Reference

**NOTE: this step only needs to be performed for those mounts that incorporate a resolver sensor on the elevation axis.**

This step should be performed at the same elevation axis position as in step 3a. Additionally, the vehicle/platform should be level since the resolver will not compensate for tilt as the inclinometer does.

Rotate the elevation resolver until a raw resolver angle of approximately 180.0 degrees is seen in the MAINTENANCE-VOLTS screen. Lock the elevation resolver in place and observe the raw resolver angle. Subtract this observed angle from the reflector's RF angle and enter it as the elevation resolver offset (see 3.3.1.2.2).

#### EXAMPLE

Raw resolver angle at elevation reference position: 179.2

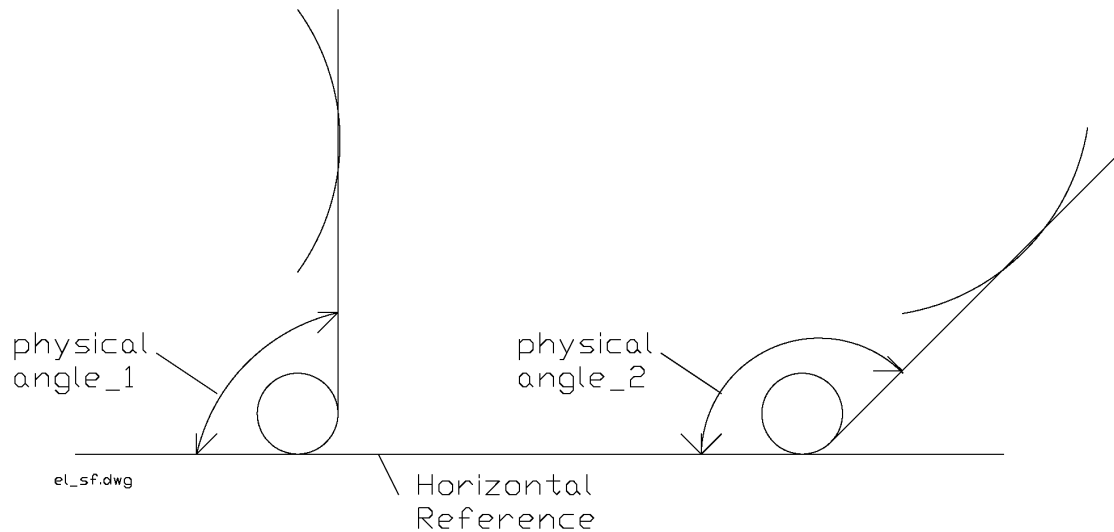
Reflector's RF angle at elevation reference position: 22.3

Required elevation resolver offset: -156.9 ( 22.3 – 179.2)

**NOTE:** on mounts equipped with an elevation resolver sensor, the elevation angle displayed when below the DOWN limit is derived from the resolver not the inclinometer. To perform a "sanity check" of the resolver calibration, move the reflector up and down around the point that the DOWN limit occurs. With the vehicle/platform level there should be very little discernable jump in the displayed elevation angle.

**STEP 4. Elevation Scale Factor Calibration**

This step is performed to characterize the output signal from the elevation inclinometer.



- 1) With the elevation axis in the reference position, note the angle **(using an accurate inclinometer placed on the mount itself not the angle displayed on the RC3000)** and the A/D voltage at that point.

Physical\_Angle\_1 (Reference) \_\_\_\_\_ Degrees

Voltage\_1 (Reference) \_\_\_\_\_ Volts

- 2) Raise the antenna approximately 30 to 50 degrees and note the angle and voltage.

Physical\_Angle\_2 \_\_\_\_\_ Degrees

Voltage\_2 \_\_\_\_\_ Volts

- 3) Calculate the output signal from the elevation inclinometer.

$$\text{Degrees/Volt} = (\text{Voltage}_2 - \text{Reference Voltage}) / (\text{Physical\_Angle}_2 - \text{Reference\_Angle})$$

$$\text{MilliVolts/Degree} = \text{Volts/Degree} * 1000$$

- 4) Enter the mV./deg. in the SF field of the configuration screen.

NOTE: an alternate method for calculating the output signal from the inclinometer is to use the data supplied by the inclinometer manufacturer for each individual inclinometer and multiply by the gain (0.823) in the RC3000's circuitry. (example:  $59.27 \text{ mV/deg} * 0.823 = 48.78$  )

### **STEP 5. Up Limit Confirmation**

Move the elevation axis to the UP physical limit and confirm that the "UP" limit is displayed in the MANUAL mode.

Go to the Limits Maintenance screen (3.3.2.5) to confirm that the ELEV STOW and Down (DN) limits are inactive.

If the state of the elevation STOW, DOWN and UP limits is not correct, check the limit switches and wiring (2.2.4).

### **STEP 6. Software Elevation Limits**

The DOWN and UP elevation limit values in the configuration screen should be set to reflect the physical limits of elevation travel. Note that these limits don't actually limit the elevation travel but are used by software during the LOCATE function to determine if a calculated pointing solution is outside of the mount's range of movement. If a calculated pointing solution is beyond these limits, the message "ELEV RANGE ERROR" will be displayed in the LOCATE screen.

### 2.3.3 Azimuth Calibration

Steps to perform azimuth calibration will be described starting with the azimuth axis in the stowed position and the elevation axis above the DOWN limit. Movement in the azimuth axis is not allowed until the elevation DOWN limit switch is inactive.

The mount should be moved to the exact azimuth position that it will be stowed. Typically this is near the midway point of its range of movement in azimuth. Also, the azimuth stow limit switch should be in the center of its activation region. It is very important that this position be confirmed in this manner or problems could be encountered during the automatic stow function.

The following steps will require values to be entered in the AZIMUTH CALIBRATION configuration screen (see 3.3.1.2.3). NOTE: RES and REV items only appear if an azimuth resolver is present.

REF_V:2.50	FG: 0.0	CONFIG-AZIM
CCW:180	CW:180	SF:65.62
RES:0.0	REV:0	
SET REFERENCE VOLTAGE <2.00 - 3.00>		

#### STEP 1a. Azimuth Potentiometer Reference Voltage.

This step is applicable if the mount is fitted with a potentiometer to sense azimuth position. If the mount is fitted with a resolver, go to step 1b.

Move to the MAINTENANCE MENU screen and select the AD VOLTS item. Voltage values read from the azimuth potentiometer can be read from the AD VOLTS screen (3.3.2.1).

The azimuth voltage shown on the screen should be 2.5 +/- 0.1 volts (Since 5 volts is sent to the sensor, if the pot is adjusted at the center tap position correctly, the reading should be half). If the value is within this range, record it for later entry in the configuration items. If not, loosen the potentiometer restraining collar and rotate the shaft such that the displayed value is as near 2.50 volts as possible. Secure the collar and record the voltage.

**RECORDED AZIMUTH CENTER VOLTAGE \_\_\_\_\_ V.**

Move to the Azimuth Calibration screen and enter the recorded value in the REF\_V item. This will define to the RC3000's software the voltage that should be seen when the azimuth axis is in its centerline position. To verify that data has been entered correctly, return to the MANUAL mode screen. The displayed azimuth angle should be 0.0 +/- 0.1 degrees.

#### STEP 1b. Azimuth Resolver Reference Angle.

**NOTE: this step only needs to be performed for those mounts that incorporate a resolver sensor on the azimuth axis.**

Loosen and adjust the azimuth resolver to be as close to 180 degrees (seen at a/d volts screen 3.3.2.1) as possible. Lock the elevation resolver in place and observe the raw resolver angle. Subtract this observed angle from 0.0 and enter it as the azimuth resolver offset (3.3.1.2.3).

After entering the azimuth resolver offset, the azimuth angle displayed in MANUAL mode should be 0.0.

## STEP 2. Initial Movement.

The next step is to move the azimuth axis to confirm drive and sensor polarity. Azimuth clockwise and counterclockwise is defined as seen by an observer located above the antenna looking down on the antenna.

In MANUAL mode, when the AZ CW (6) key of the RC3000 is depressed the antenna motors must be wired (see 2.2.2) so that the antenna moves clockwise.

The azimuth potentiometer or resolver should be wired so that clockwise movement results in a higher azimuth position. When moving clockwise, the displayed azimuth position should increase.

## STEP 3. Stow Limit Confirmation.

Move the azimuth axis clockwise and counterclockwise through the stow limit switch's area of activation. Confirm that the STOW indication appears and disappears in MANUAL mode.

Failure of the stow switch to deactivate would allow the reflector to potentially move below the elevation DOWN limit in an unsafe manner. If the initial stow limit does not function correctly, check the limit switch and wiring (2.2.4).

## STEP 4. Clockwise and Counterclockwise Limits.

**Discrete Limit Switches.** Some mounts may mechanize azimuth clockwise and counterclockwise limits via actual limit switches. If this is the case, move the azimuth axis through its range of motion and verify that the CW and CCW limit indications appear in the MANUAL screen. After confirming these indications move on to the next step.

**Azimuth Electrical Limits.** Other mounts may not have azimuth limit switches. In this case, the RC3000 allows for the CW and CCW limits to be set based on the azimuth potentiometer voltage.

In this case, the antenna's azimuth electrical limits must be set. These limits are set using two potentiometers on the controller's analog board and thus it will be necessary to remove the controller's top cover. These two pots are labeled A-CW (azimuth clockwise) and A-CCW (azimuth counterclockwise). These 2 pots on the analog board are accessed via holes in the feature board. Note that the Azimuth range limits specified below merely trigger the azimuth limit message and do not set the azimuth motion limits for the antenna.

To set the azimuth clockwise limit, go to MANUAL mode and jog the antenna in azimuth to the desired azimuth clockwise limit. If the controller indicates that the azimuth clockwise limit is reached before the antenna reaches the desired position for that limit, the A-CW pot may have to be adjusted to allow the antenna to move. Adjust the A-CW pot until the azimuth limit indication flickers between CW and blank. To verify that the A-CW has been adjusted properly, verify that the antenna cannot move clockwise in azimuth but can move counter-clockwise.

A similar procedure is used to set the azimuth counter-clockwise limit.

## STEP 5. Azimuth Scale Factor.

**NOTE: in most cases the default azimuth scale factor for a mount will be correct and should not be changed. Perform this substep only if appendix B suggests that the azimuth scale factor for your mount should be characterized.**

To calculate the azimuth scale factor, move the dish between two known physical azimuth positions and note the difference in the sensed azimuth voltage between the two locations. If definite reference points are available on the mount (+/-90 degree positions for example), these may be used. Otherwise use the difference in azimuth pointing solutions to two satellites. Record the azimuth voltage at the peaked up position of the two satellites.



Example: at +90 degree reference position the azimuth voltage is 3.86. At the -90 degree reference position the azimuth voltage is 1.14. The azimuth scale factor is calculated as:

$180 \text{ degrees} / (3.86 - 1.14) = 66.16 \text{ degrees} / \text{volt}$ .

66.16 would be entered as the scale factor.

#### **STEP 6. Azimuth Software Limits.**

The CCW and CW configuration item values should be set to reflect the physical limits of azimuth travel. Note that these limits don't physically limit azimuth travel but are used by software to determine if a calculated pointing solution is outside of the mount's range of movement. If a calculated pointing solution is beyond these limits the message "AZIM RANGE ERROR" will be displayed in the LOCATE screen.

#### **STEP 7. Fluxgate Offset.**

**NOTE: this item defines the difference in orientation (in the azimuth axis) between the fluxgate compass (2.1.3) and the azimuth reference (displayed 0.0) position.** This value should initially be set to the apparent difference between the compass' and azimuth axis orientations. For example, if the compass is placed on the vehicle facing forward and the dish actually faces backward, an azimuth offset of 180 would be entered. It is recommended that the compass be placed facing in the same direction as the azimuth centerline thus requiring an offset of 0.0.

### 2.3.4 Polarization Calibration

The following steps will require values to be entered in the POLARIZATION CALIBRATION configuration screen (see 3.3.1.2.4).

```

REF_V:2.50 OFF: 0.0          CONFIG-POL
  CCW: 90.0 CW: 90.0 SF:41.67
TYPE:2 REF:1 H: -45.0 V: 45.0 AUTO: 1
SET REFERENCE VOLTAGE <2.00 - 3.00>
    
```

#### STEP 1. Polarization Type.

Typically the default polarization type will be appropriate for a particular mount. If not, the type of polarization axis configuration must be specified as one of the following:

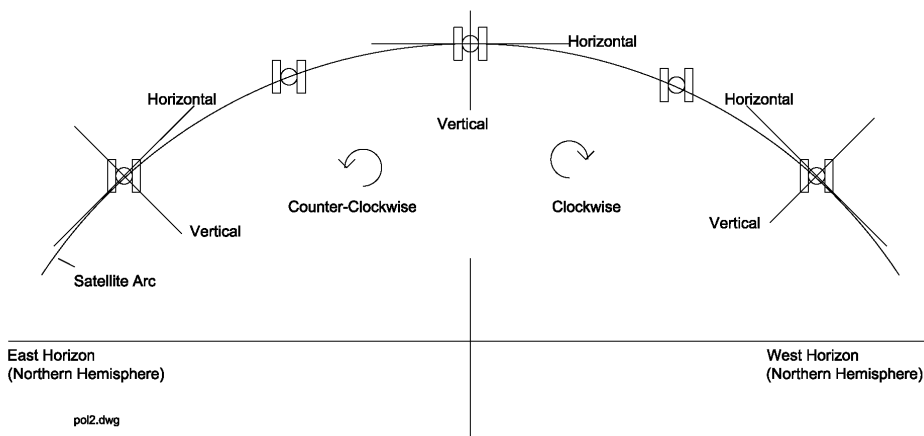
**Circular** – no movement of the polarization axis is required. **NOTE:** if the polarization configuration is circular, the rest of the polarization calibration steps may be skipped.

**Single** – If the polarization axis must be moved to distinct positions to orient with horizontal and vertical, the type is considered single.

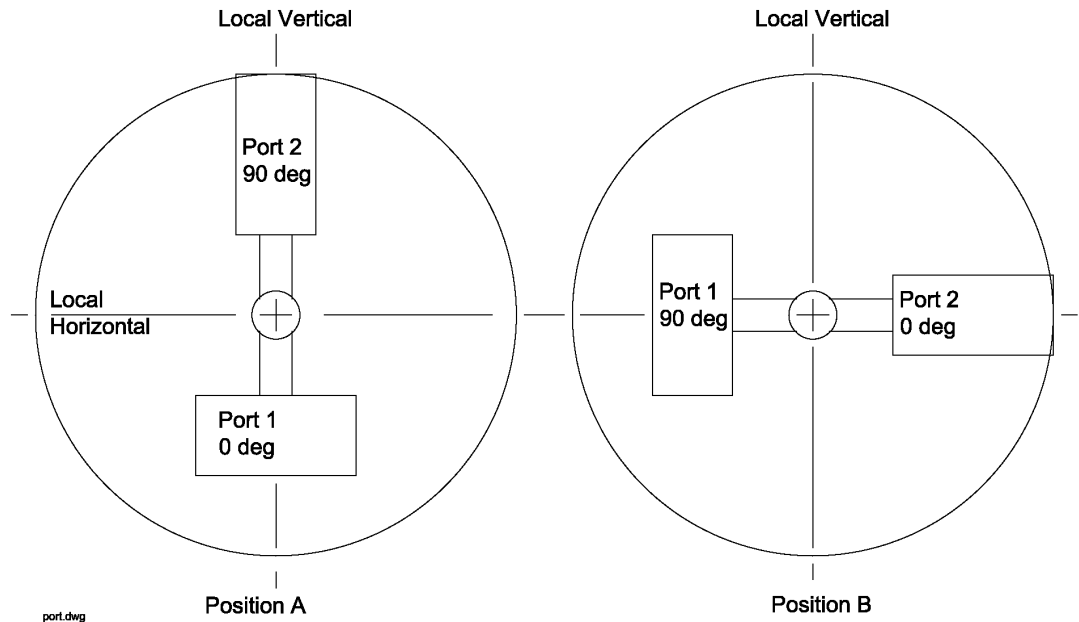
**Dual** – If the polarization system contains two feeds (or sets of feeds) such that the axis only has to be moved to one position to achieve both horizontal and vertical orientation, the type is considered dual.

#### STEP 2. Polarization Reference Position.

The polarization axis should be positioned so that it is aligned with the local vertical. Local vertical is considered the 0.0 polarization angle. Clockwise and counterclockwise is defined as seen by a person looking from behind the antenna out towards the arc of satellites. In MANUAL mode, when the Pol CW key is pushed the polarization axis must rotate in the clockwise direction as shown in the figure repeated from section 1.3.8.



The following diagram shows a typical situation of two waveguides that rotate together. Note that the diagram should be considered as if the observer is behind the reflector looking towards the arc of satellites. This representation is relevant for both prime focus and dual reflector antennas.



The polarity of a waveguide is determined by its narrow dimension. In the diagram, position A shows port 1 as being at the 0.0 degree orientation. In position B, port 2 is at the 0.0 degree orientation.

**NOTE: before establishing the polarization reference position, the antenna platform must be leveled so there is no pitch or roll. Any platform pitch and/or roll present in this calibration step will later cause inaccuracy in automatic polarization movements.**

Using an accurate inclinometer or level, position the polarization axis so that the waveguides align with the local vertical and horizontal. Typically this position will also be close to the center or travel of the polarization potentiometer. If not, adjust the polarization potentiometer to achieve this value. Secure the pot and record the voltage read from the VOLTAGES maintenance screen (3.3.2.1).

**Recorded Polarization Reference Voltage \_\_\_\_\_ V.**

Enter the recorded voltage in the REF\_V configuration item. To verify that data has been entered correctly, return to the MANUAL mode screen. The displayed polarization angle should be 0.0 +/- 0.1 degrees.

### STEP 3. Drive and Sensor Polarity.

The polarization motor should be wired so that the polarization axis rotates per the convention shown in the above diagram. Jog the polarization from the MANUAL mode to confirm the correct rotation. If not correct, check the polarity of the motor drive lines (2.2.2).

The polarization potentiometer must be wired so that the sensed polarization position increases as the Pol CW key is depressed. If not correct, check the sensor wiring (2.2.3).

#### STEP 4. Clockwise and Counterclockwise Limits.

**Discrete Limit Switches.** Some mounts may mechanize polarization clockwise and counterclockwise limits via actual limit switches. If this is the case, move the polarization axis through its range of motion and verify that the CW and CCW limit indications appear in the MANUAL screen. After confirming these indications move on to the next step.

**Polarization Electrical Limits.** Many mounts do not have polarization limit switches. In this case, the RC3000 allows for the CW and CCW limits to be set based on the polarization potentiometer voltage.

In this case, the antenna's polarization electrical limits must be set. These limits are set using two potentiometers on the controller's analog board and thus it will be necessary to remove the controller's top cover. These two pots are labelled P-CW (polarization clockwise), P-CCW (polarization counterclockwise). These 2 pots on the analog board are accessed via holes in the feature board.

To set the polarization clockwise limit, go to MANUAL mode and jog the antenna in polarization to the desired polarization clockwise limit. If the controller indicates that the polarization clockwise limit is reached before the antenna reaches the desired position for that limit, the P-CW pot may have to be adjusted to allow the feed to move. Adjust the P-CW pot until the polarization limit indication flickers between CW and blank. To verify that the P-CW has been adjusted properly, verify that the feed system cannot move clockwise but can move counter-clockwise.

A similar procedure is used to set the polarization counter-clockwise limit.

#### STEP 5. Polarization Scale Factor.

**NOTE: in most cases the default polarization scale factor for a mount will be correct and should not be changed. Perform this substep only if appendix B suggests that the polarization scale factor for your mount should be characterized.**

To calculate the polarization scale factor, move the feed between two known physical polarization positions and note the difference in the sensed polarization voltage between the two locations

Example: at +90 degree reference position the polarization voltage is 3.86. At the -90 degree reference position the polarization voltage is 1.14. The polarization scale factor is calculated as:

$180 \text{ degrees} / (3.86 - 1.14) = 66.16 \text{ degrees} / \text{volt}.$

66.16 would be entered as the scale factor.

#### STEP 6. Polarization Reference Orientation Definition.

The orientation achieved by placing the polarization axis in the reference position must be specified as horizontal or vertical. This choice will depend on whether the operator wants to refer to the receive or the transmit port when commanding the controller to move polarization to the horizontal or vertical position. The RC3000 uses this definition when automatically calculating the polarization angle for single port feeds.

#### STEP 7. Additional Polarization Settings.

**Polarization Offset.** This item describes any difference between the electrical and physical position of the polarization axis. In almost all cases the polarization offset will be 0.0. Offset might not be able to be characterized until final calibration.

**Default Horizontal and Vertical Positions.** Preset locations for polarization horizontal and vertical positions (3.2.1) are entered for use in the MANUAL mode.

**Automatic Polarization Movement.** Automatic movement of the polarization axis as part of the LOCATE function may be enabled/disabled by the AUTO configuration item.

### 2.3.5 Fast/Slow Motor Speed

The fast and slow output voltages for your particular mount will be set at the factory and typically will not need to be adjusted. On RC3000B models, there is only one fast/slow adjustment potentiometer on the analog board. On RC3000A models, there are fast/slow adjustment potentiometers for each axis on the auxiliary relay board next to the digital board.

The slow speed for an axis should be set low enough that automatic movements perform smoothly. Care should be taken that slow speed is not set so low that the axis is prone to jamming.

### 2.3.6 Pulse Sensor Checkout

This step resets and tests the pulse sensor system. It is only applicable for controllers that have software options (such as inclined orbit tracking) requiring pulse feedback.

The first step is to position the mount to the appropriate place for resetting the pulse count (see appendix B). After moving to this position initiate the pulse count reset from the DRIVE RESET maintenance screen (see 3.3.2.2).

Next move the mount to the limits of azimuth and elevation travel and note the pulse count. The pulse count can be viewed from the MANUAL screen by pressing the Scroll Up/Yes key. Record the pulse count values at the four limits.

**Azimuth CW Pulse Count** \_\_\_\_\_      **Azimuth CCW Pulse Count** \_\_\_\_\_  
**Elevation UP Pulse Count** \_\_\_\_\_      **Elevation Down Pulse Count** \_\_\_\_\_

At the Azimuth Pulse Drive (3.3.1.7) and the Elevation Pulse Drive (3.3.1.10) configuration screens, enter a value for the appropriate limit that is slightly within the recorded value. The value entered is within the recorded value to account for any slop limit switches may exhibit.

NOTE that these pulse count limits are used by automatic movement routines such as tracking and spiral search to limit the area of an automatic pulsed-based movement. These limits are not the actual mechanism that will stop the mount's movement.

### 2.3.7 Drive System Checkout

This step confirms the configuration of the drive system for all three axis. Manually move the mount to each axis limit and confirm drive current to the motor is shut off when the limit is reached. Also check the displayed position value and confirm that it is reasonable.

Perform the STOW (3.2.2.2) and DEPLOY (3.2.2.3) functions and confirm the mount correctly stows and deploys.

STORE (3.2.2.4) several dummy satellites and RECALL 3.2.2.5 them to checkout the automatic drive system. If the mount does not smoothly move to the target position, the drive parameters may have to be adjusted.

### 2.3.8 Navigation Sensor Communication

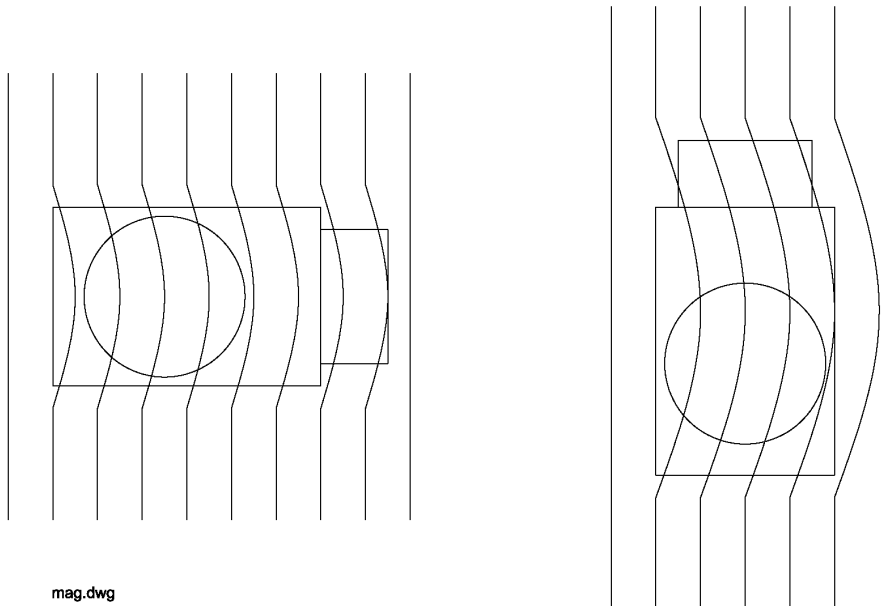
If the optional GPS receiver and/or fluxgate compass are present, confirm that valid serial data is coming from the unit(s). See the GPS COMM (3.3.2.6) or FLUX COMM (3.3.2.7) maintenance screen descriptions.

## 2.4 Final Calibration

The final calibration steps tune up the system for performing automatic location of satellites.

### 2.4.1 Compass Calibration

Ferrous metal on the vehicle distorts the earth's magnetic field in the vicinity of the vehicle. The flux gate indicates the direction of the distorted magnetic field. The flux gate calibration procedure provides a method to correct for this distortion (caused by the vehicle/platform) of the earth's magnetic field and obtain the vehicle's actual magnetic heading.



Review the discussion of system accuracy in Chapter 1. Since the flux gate calibration only corrects for distortion of the magnetic field caused by the vehicle itself, it is important that the calibration take place in an area where the earth's magnetic field is not disturbed by structures or objects containing ferrous metals. Below is a listing of the characteristics of a good calibration site.

1. Level ground, preferably higher than the surrounding area. Avoid low valleys.
2. Free from structures containing a large amount of ferrous metal. It is of key importance to avoid areas adjacent to multi-story buildings, railroad tracks, bridges, truck yards, parking lots full of cars, and high voltage power lines.
3. Trees and wooden objects pose no problem for calibration.
4. Asphalt parking lots can provide a good calibration site. Care should be taken, though, in that asphalt is often laid over concrete which may contain reinforcing rod.

If a particular location is questionable, walking around with a simple wet compass will often show whether magnetic irregularities are present. A good site is important since the overall performance of the Satellite Locator is only as good as its calibration.

Section 3.3.2.9 describes how to perform the compass calibration procedure.

## 2.4.2 Azimuth and Elevation Alignment

This step attempts to discover and compensate for offsets in azimuth and elevation position sensing.

Offsets may be introduced due to mechanical tolerances, slight inaccuracies in installation, etc. For example, the compass may not be exactly aligned with the azimuth reference position or the elevation inclinometer was not rigged perfectly.

The alignment procedure relies on the fact that it is possible to determine how the dish is pointing based on the actual antenna angles required to intercept a satellite (at a known longitude) when the vehicle's latitude and longitude are known.

NOTE: before performing this step, the elevation offset value should be set to 0.0.

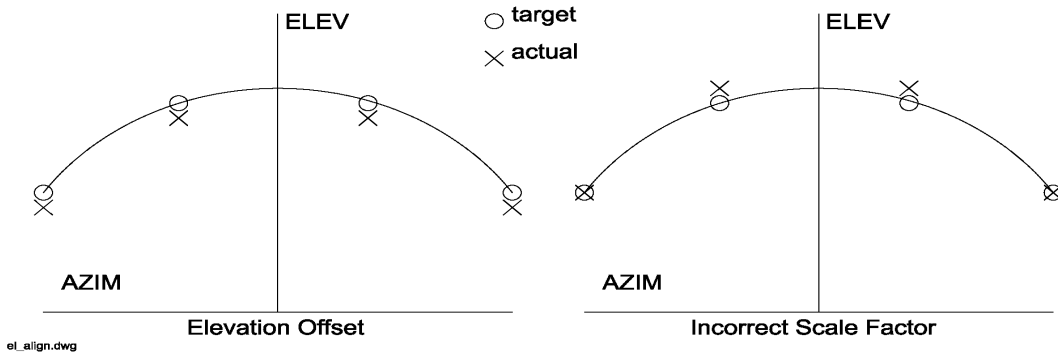
To determine the azimuth and elevation offsets, the vehicle is positioned at a number of different headings. At a given heading, the operator allows the controller to calculate the azimuth and elevation positions required to LOCATE a pair of satellites. These calculated positions are recorded. The operator then manually peaks the antenna to align the antenna with the satellites perfectly. The azimuth and elevation angles where the satellites are actually found are recorded. The difference between the calculated (or target) positions and the positions where the satellites were actually found are calculated. The results should be tabulated as shown in the table below.

HDG.	SAT	AZIMUTH			ELEVATION		
		CALC'D	ACTUAL	DIFF.	CALC'D	ACTUAL	DIFF.
1	1						
	2						
2	1						
	2						
3	1						
	2						
4	1						
	2						
5	1						
	2						
6	1						
	2						
7	1						
	2						
8	1						
	2						
TOTAL							
AVG.							

NOTE: As many tests (different locations, etc.) as possible should be run to determine if consistent offsets are observed.

**Elevation Alignment**

It is fairly easy to observe errors in the elevation calibration.



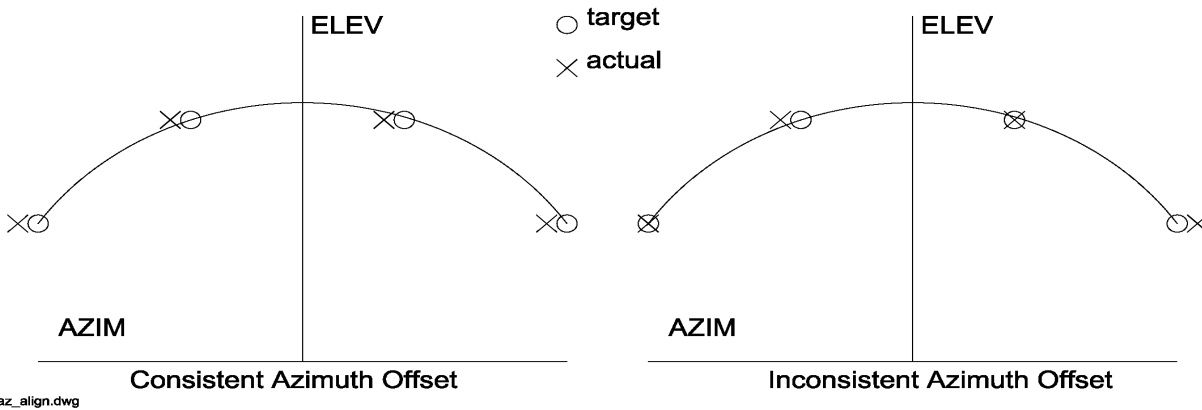
If test data shows that the actual elevation angle that a satellite is found is consistently above or below the calculated target, then it can be concluded that an elevation offset should be applied. Enter the appropriate value in the OFF field of the elevation calibration screen (3.3.1.3.2).

If the difference between actual and calculated elevation angle is not consistently of the same magnitude, then the calculated elevation inclinometer scale factor should be questioned. Step 4 of the elevation calibration procedure should possibly be rerun.

Also consider that a combination of elevation offset and inaccurate scale factor may be applicable. Rerun tests across the arc of satellites to confirm that applied corrections yield good results.

**Azimuth Alignment**

It is not as easy to observe errors in azimuth calibration. This is mainly due to the fact that the error from the compass reading will not be consistent from location to location and even from different vehicle headings at the same location.



If, after multiple tests, a consistent error in actual vs. calculated azimuth target is observed, then a modification of the offset in the azimuth calibration screen may be applied.



### 2.4.3 Signal Strength Adjustment

The RC3000 can sense satellite signal strength via the L-band power detector (2.2.8) or the signal strength input circuits (2.2.5). This section describes how to configure the signal strength input circuits for use with the satellite receivers used for a particular installation. Correct adjustment of the signal strength circuitry is required for autopeak and tracking operations to peak up on a satellite.

#### 2.4.3.1 L-Band Power Detector

The simplest detection scheme is to connect LNB output to the L-band power detector. For best results, insert inline attenuation or amplification so that the RF display is approximately 400 when the reflector is pointed at open sky.

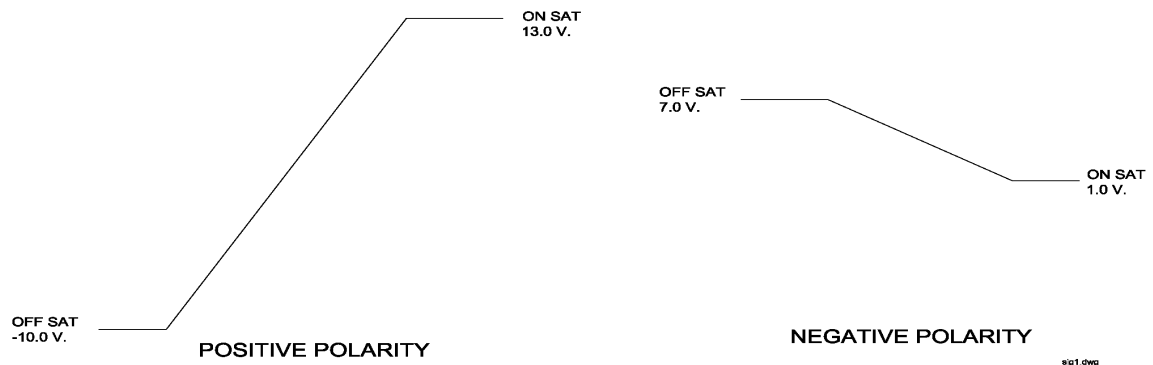
See section 3.3.1.2.6 (Autopeak configuration) for a discussion of the characteristics of the L-Band power detector.

#### 2.4.3.2 Signal Strength Channel

To implement tracking algorithms and the LOCATE mode's scan/search, the controller requires an input signal which indicates the strength of the received signal. Such a signal is generated within a satellite receiver, and is referred to as an AGC signal. (AGC is the abbreviation for Automatic Gain Control.) On satellite receivers, this signal may also be referred to as a 'Signal Strength' or 'Tuning Meter' output. An AGC output typically varies in proportion to the received power of the transponder which the receiver is currently tuned to.

Signal strength indications from receivers, modems, etc. vary widely. The RC3000 provides two circuits that are designed to accommodate any signal strength input that varies between +/- 15 VDC. The 2 circuits have the same design, but different component values installed optimize channel 1 for use with signal strength inputs that vary by less than 1.3 VDC. Channel 2 circuitry has a lower gain that would be more optimal for use with signal strength inputs that vary by more than 1.3 VDC. A particular installation's unique set of receiver(s) will dictate which channel(s) are used.

The following figure shows 2 examples of signal strength inputs that may be accommodated. Example A shows a signal strength indication that increases from -10 VDC when no signal is present ("Off Satellite") to +13 VDC when the signal is strongest ("On Satellite"). With respect to the RC3000, this transition is termed positive polarity. Example B shows a signal strength indication that decreases as the received signal becomes stronger. This type of transition is termed negative polarity.



The goal of this procedure is to transform the linear portion of the signal strength input into a 0 to 5 VDC signal for interpretation by the RC3000's analog to digital conversion circuitry. This is accomplished by adjusting gain and offset pots for each signal strength channel on the back of the RC3000 and by specifying the polarity of the signal strength input via the signal strength configuration screen.

2.4.3.3 Signal Strength Channel Calibration

This section describes the calibration procedure for a single channel. If two channels are to be used, the procedure will need to be run for each. The procedure requires multiple steps and some steps are iterative. The procedure also requires the use of a voltmeter (preferably with a resolution of millivolts).

**Step 1.** Align the antenna with a strong satellite of the proper frequency band. Place a voltmeter on the receiver's signal strength output and record the voltage. The term "on satellite" will be used to refer to the antenna aligned (peaked up) with a strong satellite.

ON SATELLITE VOLTAGE\_\_\_\_\_

**Step 2.** Jog the antenna so the antenna is looking at nothing. Record the receiver's signal strength voltage. The term "off satellite" will be used to refer to the antenna positioned well off of any satellite looking at nothing.

OFF SATELLITE VOLTAGE\_\_\_\_\_

**Step 3.** Having recorded the On Satellite and Off Satellite voltages, go the SIG\_ADJUST maintenance screen (3.3.2.4). Enter the two voltages and record the polarity and voltage offsets calculated by the SIG ADJUST screen.

POLARITY\_\_\_\_\_ AGC1\_OFFSET\_\_\_\_\_ AGC2\_OFFSET\_\_\_\_\_

Note that the SIG ADJUST screen will calculate voltage offsets for both channels and suggest which channel would be optimum for the entered On and Off Satellite voltages. Use the voltage offset for the channel determined to be used for this receiver (see discussion above).

The calculated voltage offset will provide for the best transformation of signal strength input and will be used in step 6 below.

**Step 4.** Go to the Signal Strength Factors configuration screen (3.3.1.2.5) and specify the polarity required for the channel (1 or 2) that is currently being calibrated. This information will be used by the RC3000's software so that stronger signals will correspond to stronger indicated signal strength on the RC3000's displays.

**Step 5.** Go to MANUAL mode. Ensure that the channel that is currently being calibrated is displayed as the signal source. If not, select the channel as the signal source by using the SCROLL DOWN / NO key.

Note that the displayed signal strength will currently be meaningless since the gain and offset calibration steps have yet to be accomplished.

**Step 6.** Measure the offset voltage for the appropriate channel at the test point on connector J2 (refer to 2.2.5). Adjust the OFFSET pot for the appropriate channel until the value calculated in step 3 is obtained.

To increase the offset voltage turn the OFFSET pot clockwise (counterclockwise to decrease) when looking at the backpanel.

**Step 7.** Move back onto the satellite. Observe the displayed signal strength on the manual mode screen. Adjust the GAIN pot for the appropriate channel until displayed signal strength of approximately 650 is obtained. The direction to turn the GAIN pot to increase displayed signal strength is dependent on the characteristic of the signal strength input as indicated by the following table.

	ON SATELLITE VOLTAGE	
POLARITY	Positive (>0)	Negative (<0)
Positive	CW	CCW
Negative	CCW	CW

Adjusting the gain of the AGC channel in step 7 will modify the offset voltage in step 6. Steps 6 and 7 should be run at least twice and possibly several times until the required adjustments are minimal.

**NOTE: When correctly adjusted, the displayed signal strength will be approximately 50 when “off” the satellite and approximately 650 when “on” the satellite. These values allow for conditions when the signal strength may be stronger than they were at the time of adjustment.**

#### Step 8. Set Thresholds

Having observed the displayed value for signal strength, the user should set the autopeak threshold (3.3.1.2.6) and SS1/SS2 thresholds (3.3.1.2.5) for correct operation of autopeak and tracking operations.

The signal strength system is now adjusted correctly for use by the autopeak and tracking functions. A common situation affecting signal strength measurement performance is discussed next.

#### 2.4.3.4 Amplifier Gain vs. Frequency Characterization

An amplifier's gain vs. frequency characteristic, or gain flatness, is the variation of the amplifier's gain with changing frequency. The ideal response is to have a flat gain characteristic (the gain does not vary with frequency). Amplifiers with poor gain flatness characteristics can cause problems for the tracker. This section describes a simple test (no equipment required) that the user can carry out to check the receiving system's gain flatness.

There are four places in a satellite receiving system that may have gain flatness problems that can affect the operation of the tracker. These are the LNB, the coaxial cable connecting the LNB to the receiver, line amps (or bullet amps) inserted in the 950 - 1750 MHz IF, and the receiver's IF or AGC stages. If a spectrum analyzer is connected into the receiver's block IF line, the gain flatness of the LNB and any line amps present can be observed. When the antenna is pointed away from any satellite, the spectrum analyzer displays the received noise, which should be constant with frequency. If the display is not a horizontal line then some gain variation with frequency is present.

To understand how a poor gain flatness characteristic can cause problems, remember that the purpose of the signal strength input is to let the controller determine whether a satellite signal is present or not, and to provide relative signal strength information when peaking the antenna. A signal is assumed to be present whenever the input is above the threshold level for whichever band has been selected. When the receiver is tuned to various transponders, gain flatness problems could cause the signal to be above the threshold, when in fact no satellite signal is present. For certain transponders, gain flatness problems could also cause the controller's input scaling network to be saturated when the antenna is aligned with a strong satellite, making it impossible for the controller to detect changes in signal strength when attempting to peak the antenna.

To test the gain flatness of the satellite receiver, perform the following procedure. The procedure assumes a single receiver, single frequency band system.

1. Position the antenna well off of any satellite. Tune the receiver to each transponder. Make sure that the signal strength reading is below the threshold assigned via CONFIG mode.
2. Align the antenna with a strong satellite. Tune the receiver to each active transponder on the satellite. Make sure that the signal strength is well above the threshold and below 999.

If the system fails either of the tests above, then the user can either attempt to correct the problem by readjusting the GAIN and OFFSET pots (using the procedure outlined earlier), or by correcting the gain flatness problem. Most gain flatness problems can be traced to a problem with the coaxial cable connecting the antenna to the receiver (sometimes called a 'suck-out') or to bullet amplifiers. Some bullet amplifiers have been observed to have terrible gain flatness characteristics.

## 2.4.4 Pulse Scale Factors

The pulse scale factors specify the number of pulses counted per degrees (in radians) of movement for the azimuth and elevation axis. It is critical that these numbers are accurate since the tracking algorithms use them to determine step sizes (in pulse counts). Note that the RC3000 counts both rising and falling edges of the position pulses so that a single position pulse generates 2 position counts.

**NOTE: In the majority of cases, the antenna scale factors will have already been characterized for a mount and the appropriate values stored as defaults. The following procedures will only be required if a condition exists (different gear ratios, different pulse sensors, etc.) exists.**

The azimuth and elevation scale factors may be derived from the antenna mount manufacturer's data or from data measured by moving the mount.

### SCALE FACTORS FROM MANUFACTURER'S SPECIFICATIONS

If the antenna manufacturer gives the position pulses per degree specification for the antenna's azimuth and elevation axis, simply multiply the value by 2 to obtain 'position counts per degree' (because the RC3000 counts both the rising and falling edges of the position pulses). Multiply this 'position counts per degree' value by 57.29 to obtain 'position counts per radian'. Round to the nearest whole number value to obtain the *Elev Constant* CONFIG mode item.

Elev position pulses per degree \_\_\_\_\_ \* 2 \* 57.29 = \_\_\_\_\_ (position counts per radian)

### SCALE FACTORS FROM MOUNT MEASUREMENTS

The elevation scale factor is obtained by moving the antenna in elevation over a known angle (as determined by an inclinometer) and obtaining the number of counts which corresponds to the angular movement.

Here is the procedure:

**Step 1.** Identify a location on the antenna to place the inclinometer. The location on the mount should be selected so that one degree of movement about the elevation axis registers as one degree on the inclinometer. It is best to use an inclinometer which has a magnetic base. These are available in hardware stores.

Step 2. Record the elevation position count and the reading of the inclinometer. These will be designated CNT\_1 and DEG\_1, respectively.

**Step 3.** Jog the antenna in elevation. It is recommended that the antenna be moved 15 to 20 degrees in elevation. Record the elevation position count and the inclinometer reading. These will be designated CNT\_2 and DEG\_2.

The elevation region over which the measurements are made should correspond to the range of elevation angles which will be encountered in operation (i.e. the elevation values over which the satellites will be found).

**Step 4.** Use the following formula to calculate the Elev Constant:

$$( (CNT_2 - CNT_1) / (DEG_2 - DEG_1) ) * 57.29$$

If the result is negative, change the sign to positive. Here is an example:

	Inclinometer Angle	Pulse Count
Higher Position	50.2	32768
Lower Position	29.8	541
Difference	20.4	32227

$$(32227 / 20.4) * 57.29 = 9062 \text{ pulses/radian}$$

The azimuth scale factor is obtained by noting the difference in the azimuth pointing solution angles between two satellites and the pulse counts when on the satellites. For best results, use satellites that are as far apart as possible and make sure you have positively identified the satellites.

Example : Kansas City (38°56N,94°45W) heading of 180.0

SATELLITE	AZIMUTH POINTING SOLUTION ANGLE	PULSE COUNT
SPACENET 2 (69.0W)	-37.5	33333
SATCOM C5 (135.0W)	53.4	11000
Difference	90.9	22333

$(22333 / 90.9) * 57.29 = 14075$  pulses/radian

### SCALE FACTOR FOR RESOLVER SYSTEMS

The RC3000 uses the actual digitized resolver count in the same way it uses a pulse count. The RC3000 utilizes a 16 bit resolver to digital converter which generates a count value from 0 to 65,535. Typically the resolver sensor rotates with the antenna. The resulting "pulse scale factor" therefore is:

$65536 \text{ reslover counts} / (360 \text{ degrees} * 1 \text{ radian} / 57.29 \text{ degrees}) = 10430.2$  "pulses" / radian

The default scale factor for a resolver system is therefore rounded up to 10431.

The constants are entered via the azimuth pulse drive (3.3.1.7) and elevation pulse drive (3.3.1.10) configuration item screens.

## 2.4.5 Operational Presets

This section has been included in the outline because it may simplify the user's day-to-day operation. The user cannot make use of preset truck locations or preset satellites if they are never entered into the memory. This is a straightforward procedure, but one which can be overlooked once the system is installed, since the RC3000 functions perfectly well without the presets. However, the presets streamline the operation by allowing the user to tell the program very quickly where the truck is, and what satellite is desired, without entering the data each time.

If a list of user preferred satellites or truck locations are available, they may be entered as described in sections 3.3.1.1.2 and 3.3.1.1.3.

## 2.4.6 Miscellaneous Adjustments

**LCD Contrast.** An LCD contrast potentiometer (P2) is located on the RC3000 digital board. This potentiometer will be set at the factory, but the user may want to adjust its setting for a particular installation's lighting conditions.

**Setting Time.** Set the time, specify local time zone and offset per instructions for Time Maintenance (3.3.2.3.)

## 2.4.7 Mechanizing Automatic Locates

Performing all of the previous installation steps correctly should place the RC3000 into a state where automatic locating of satellites may be accomplished. This section discusses the typical final actions necessary to mechanize an automatic locate. The LOCATE mode is described in section 3.2.2.3.

The first issue typically related to LOCATE performance is the pointing accuracy of the compass. The azimuth and elevation alignment calibration step (2.4.2) should be performed in order to fine tune the mount's position sensing.

Even with a well calibrated compass, local magnetic effects will cause the estimated mount heading to not be consistently perfect. Mechanizing the "autopeak" search movements described in sections 3.2.2.3.3 and 3.2.2.3.4 will provide a way to compensate for the inherent variability in heading estimate performance.

In order to mechanize the autopeak function, the RC3000 must be interfaced with the antenna system's receiving equipment. The receiving equipment must provide a signal strength indication to the RC3000 as a "positive identification" of the selected satellite during the autopeak function. Section 3.3.1.2.6 describes enabling and configuring the autopeak function. Having selected a signal source, the characteristics of the signal must be described to the RC3000 via the signal strength configuration screen (3.3.1.2.5.)

Many variations of receiving equipment exist. The following provides one example setup.

**Example Usage.** Suppose an installation has a modem that generates a signal lock output but no relative signal strength output. An indication of relative signal strength may be obtained by inputting a RF signal (2.2.8) into J11. The modem's signal lock output may be input to either pin 1 or 2 of J2 (2.2.5.)

Program the RF LOCK item to indicate which signal lock input (1 or 2) is being used and what is the polarity (high or low) of the signal lock input. Program the RF TIME item with a large enough delay to ensure that a signal lock indication is generated by the modem before the autopeak scan operation steps past the satellite of interest.

In the AUTOPEAK configuration screen (3.3.1.2.6), enable the autopeak function (ON:1) and set the signal source to RF (SIG:1.)

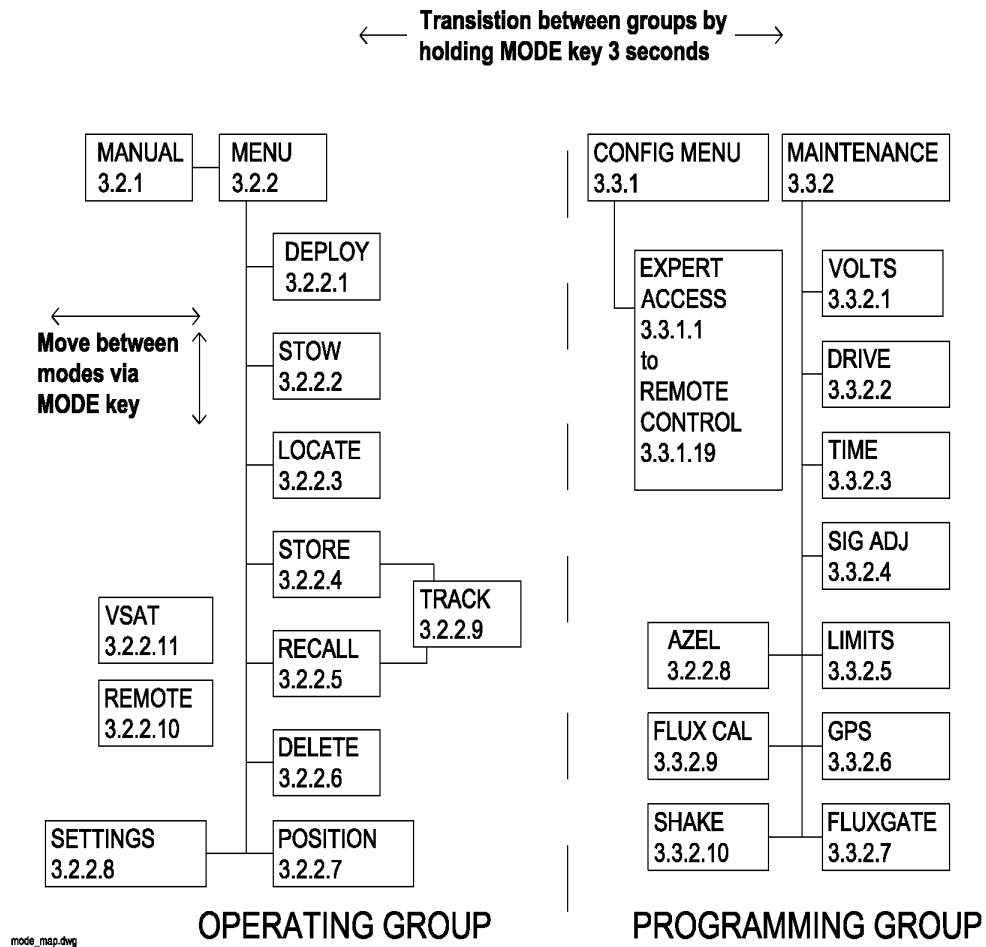
### 3.0 DETAILED OPERATION

#### 3.1 Operation Overview

##### 3.1.1 Modes

The functionality of the RC3000 is achieved by placing the controller in the desired mode of operation. The figure shows the hierarchy of the RC3000's modes. Each mode has a unique display screen that presents the information applicable to that mode's operation.

As the figure shows, there are two main groups of modes – operating and programming. Transitions between modes within a group are initiated via a momentary press of the Mode key, while a transition between the two groups requires the Mode key to be held down for three seconds.

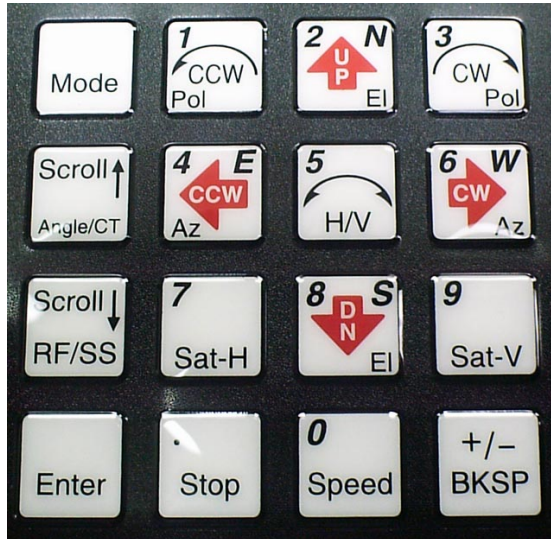


After installation, the programming group of modes will typically not be used for day to day operations. Sections 3.2 (operating modes) and 3.3 (programming modes) detail each mode.

The rest of section 3.1 introduces common elements of all modes.

### 3.1.2 Keypad Usage

The keypad provides a flexible method of controlling the functionality of the RC3000. While each RC3000 mode has different requirements for user input, the use of the keypad remains consistent throughout all modes.



The keypad provides for both specific actions and general data input. As an example, the UP\_2\_N key initiates an antenna up movement while in MANUAL mode but also allows for the entry of the number 2 when numeric entry is required or the indication of North when entering a latitude value. The required key usage is provided in the detailed description of each mode.

NOTE: keypads on earlier RC3000s may not have included the exact nomenclature depicted above. Keypad usage has remained the same though for all RC3000s.

The following table describes both the specific action and general data entry function of each key.



KEY LABEL	SPECIFIC FUNCTION	GENERAL FUNCTION
Mode	no specific function	momentary push switches between modes within group button held for 3 seconds switches between operational and programming groups
Scroll Up/ Angle CT	Toggles between potentiometer and pulse az/el position display in Manual	scrolls forward through lists provides YES answer to prompts
Scroll Dn / RF/SS	Toggles between RF/SS1/SS2 signal strength display in Manual	scrolls backward through lists provides NO answer to prompts
Enter	Heading Fix in manual	complete entry of data select entry from list
1 Pol CCW	jogs polarization motor counter-clockwise when pol movement allowed	supplies 1 for numeric entry *
2 N EI UP	jogs elevation axis up when in MANUAL mode	supplies 2 for numeric entry * supplies NORTH for latitude entry
3 Pol CW	jogs polarization motor clockwise when pol movement allowed	supplies 3 for numeric entry *
4 E Az CCW	move azimuth axis Counter ClockWise in MANUAL mode	supplies 4 for numeric entry * supplies East for longitude entry (123°45E)
5 H/V	Commands Cross-Polarization movement in Manual, Store	supplies 5 for numeric entry *
6 W Az CW	move azimuth axis ClockWise in MANUAL mode	supplies 6 for numeric entry * supplies West for longitude entry (123°45W)
7 Sat-H	requests move to predefined Horizontal polarity position	supplies 7 for numeric entry * signals current polarization value to be stored as the Horizontal value
8 S EI DN	jogs elevation axis down when in MANUAL mode	supplies 8 for numeric entry * scrolls down during alphanumeric entries
9 Sat-V	requests move to defined Vertical polarization	supplies 9 for numeric entry *
0 Speed	toggles motor drive speed between FAST and SLOW	supplies 0 for numeric entry *
. (decimal point) Stop	provides way to stop automatic movements	provides delimiter for various data entries decimal point for floating point entry ( 3.15) degree sign for lat/lon entry (38°56N) colon for time entry (12:34:56) slash for date entry (10/11/97)
+/- BKSP	provides way to exit out of certain conditions - Selects Waveguide Switch in Manual	toggles sign of numeric data entry when cursor at beginning of entry field backspaces one field to the left during data entry

\* - numbered keys may also be used to select from a set of choices such as <1>LOCATE <2>STOW

### 3.1.3 Data Entry

Many RC3000 screens request some type of user input. This section provides instructions on the entry of various types of data.

#### **Selection From List ( <0-9>SELECT )**

When the user is prompted to select an action from a displayed list, pressing the numbered key corresponding to the desired action will initiate the action.

#### **Scrolling Through List ( <SCR>THRU LIST )**

When the user is prompted to scroll through a list of items, pressing the Scroll Up/Yes key will move forward through the list and pressing the Scroll Dn/No key will move backward through the list. Pressing the Enter key when the desired item from the list is displayed will select the item.

#### **Alphanumeric Entry ( NAME:SATCOM K2 )**

To manually enter the name of a satellite or location, the user scrolls through the list of characters (A-Z, 0-9 and blank) and selects the character by pressing the Enter key. To scroll forward through the list of characters use the 2/UP/N key and use the 8/DN/S key to scroll backward.

**Note:** scrolling through the alphanumeric characters is not implemented via the Scroll Up/Yes or Scroll Dn/No keys since these keys will typically be used to move forward or backward through other fields from the field requiring alphanumeric input.

After selecting one character, the flashing cursor is placed in the next space awaiting character selection. To complete the entry of the alphanumeric string, press Enter for a second time. The user may backup through the string by using the BKSP key.

#### **Integer Data Entry ( SIZE: 240)**

To enter whole numbers, use the 0-9 keys to enter the desired numeric string followed by the Enter key. Note that the data field will initially show the current value for the item until numeric entry is started. To terminate the entry without changing the value, the user may use the Scroll Up/Yes or Scroll Dn/No key. The BKSP key may be used to move back in the string to correct the input. When the input has been backed up past the first entry, the current value of the item will again be displayed. Pressing the Enter key with the current value displayed will also result in no update.

#### **Floating Point Data Entry (HEADING:180.0)**

Entering floating point values is very similar to entering integer values except that the decimal point is inserted by using the (decimal pt.) Stop key.

#### **Degree/Minute Latitude/Longitude Entry (TRUCK LAT:38°56N)**

Entering Latitude or Longitude is similar to entering a floating point value but the decimal point is used to place the degree sign delimiter. Following the degree sign, only values from 0 to 59 are valid since they represent minutes. After entering the numeric value of latitude or longitude, the user is prompted to supply W(est) or E(ast) for longitude or N(orth) or S(outh) for latitude.

#### **Degree/Decimal Longitude Entry (SAT LON:179.0E)**

This entry is similar to the degree/minute entry but allows decimal fractions of degrees. This format will be used for satellite longitude entry where the degree/minute format is standard for vehicle position entry.

#### **Time/Date**

Time is entered in HH:MM:SS format and date in DD/MM/YY format.

### 3.1.4 Display Layout

The following screen shows many elements common to RC3000 mode displays.

AZIM: 31561	SS1:625 (Ku)	TRACK
ELEV: 11060	SAT:BRASIL A1	
POL: -45.0 H	STEP:IDLE	16:03
WAITING FOR NEXT PEAKUP		<0>MENU

**MODE TITLE:** in the upper right corner the title of the current RC3000 mode is displayed – in this example TRACK designates that the RC3000 is currently in track mode.

**NOTE:** if the mode title is preceded by an exclamation point ( ! ), the mode was initiated by a remote command.

**DATA LABELS:** since each mode presents a unique set of data, labels describing the data must be presented. The label will typically be followed by a colon to delimit between the label and the actual data. In the example shown, AZIM: is the label for the current azimuth pulse count.

**DATA VALUES:** the current value of relevant data for the mode is displayed following the appropriate data label. In the example, the current azimuth pulse count (AZIM:) is 31561. Likewise the current satellite being tracked (SAT:) is BRASIL A1.

**USER PROMPTS:** since each mode requires unique (but similar) keypad inputs, prompts for relevant user action are included on the fourth line to the extent possible. In the above example, <0> tells the user that pushing the 0 key will transition the RC3000 to TRACK MENU mode. There are several types of user data inputs as described in 3.1.3.

**USER INFORMATION:** when room allows, information about the current state of the RC3000 is displayed. In the above example, "WAITING FOR NEXT PEAKUP" describes the fact that since the RC3000 is currently in the IDLE portion of the STEP track operation the controller is waiting until the appropriate calculated time to perform the next peakup movement.

**TIME:** in some modes where data (such as azimuth position) may not change for long periods of time, the current time is displayed to reassure the user that the RC3000 is functioning. In the above example, the current system time (16:03) is displayed with the colon flashing once per second.

**ALARM STATUS:** while not shown in the above example, row 4 is used to display any alarm conditions the RC3000 has detected. The alarm message will alternate with the text normally on row 4. See section 3.4 for more description of the alarm system.

## 3.2 Operating Group

Within the operating group of modes exists two high level modes – MANUAL and MENU. The MANUAL mode allows the user to manually jog the antenna while the MENU mode allows the user to select the modes that implement the RC3000's automatic movement features. While in either one of these modes, a momentary push of the Mode key will transition the RC3000 to the other mode.

### POWER ON

Upon powering up the RC3000, an identification screen is displayed for five seconds. The software version data is discussed in 1.2 (Controller Features).

```

RC3000A MOBILE ANTENNA CONTROLLER
(c) RESEARCH CONCEPTS INC. 2005
SHAWNEE, KANSAS (USA) 913-422-0210
SW:RC3K-P1-GTN version 1.55

```

### MOUNT POSITION CONFIRMATION

Following the power on screen, the RC3000 transitions to the appropriate screen based on whether or not a mount position (latitude/longitude/true heading) has been "saved".

If the mount's position has been previously saved via the POSITION mode (3.2.2.7) or the STORE (3.2.2.4) mode, the following screen appears at power up requesting that the user confirm that this position is correct (i.e. the mount hasn't moved since the position was saved). The SAVED MOUNT POSITION screen shows the position and the date and time that the position was saved.

```

                          SAVED MOUNT POSITION
38°56N 94°44W 218.1      31DEC99 23:59
<SCROLL UP>USE SAVED POSITION
<BKSP>CLEAR POS (DELETES STORED SATS)

```

If the saved position is still appropriate, pressing the Scroll Up/Yes key will instruct the RC3000 to continue to use that position. The RC3000 will use the saved position rather than attempting to automatically determine position.

Note that using a saved position may be desirable because the position may have been previously "fixed" to account for the local compass inaccuracy, etc. Also the saved position may have been manually determined and inserted due to a possible navigation sensor (GPS receiver or fluxgate compass) malfunction. Using a saved position also allows the LOCATE mode to instantly begin calculating pointing solutions rather than waiting for the GPS receiver to form a navigation solution.

If the user determines that the saved mount position is no longer appropriate (the mount has moved), pressing the BKSP key will invalidate the saved position. The RC3000 will then proceed to MENU mode. The LOCATE mode will automatically attempt to determine latitude/longitude from the GPS receiver and heading from the fluxgate compass. If the unit does not have the GPS and Fluxgate, control will pass to the POSITION mode.

### 3.2.1 Manual Mode

AZIM:	0.0	STOW	SS1:	50	MANUAL
ELEV:	-42.5	DOWN	SAT:	TELSTAR	402
POL:	30.0	V	SPD:	FAST	CST
<0-9>JOG ANTENNA <MODE>MENU					14:25:47

In MANUAL mode, the user may jog the antenna in all three axes. A momentary push of the Mode key will move the controller from the MANUAL mode to the MENU mode.

**AZIM:**  
**MAG:/mag:**  
**TRUE:/true**

The azimuth field shows a current position value of the azimuth axis. It also shows the status of azimuth limits (STOW, CCW, CW). The azimuth axis may be moved by pressing the Az CCW or Az CW keys.

The value displayed may be changed by the Scroll Up/Angle CT key. The display will rotate between showing antenna angle, antenna pulse count, magnetic heading and true heading values. When first entering MANUAL mode, the field will always be initialized in the display mode selected by the initial\_azimuth\_display configuration item (3.3.1.2.3).

The magnetic and true heading values are derived by taking the current heading estimate of the mount (see the LOCATE function) and adding the antenna angle. If there is currently no mount heading estimate, the field will display "-----". If the current heading estimate has not been "fixed" (either manually or automatically by the DVB receiver function), the field will be annunciated by small letters (mag: or true:) to indicate that the heading value may be inaccurate due to compass error. If the RC3000's heading estimate has been "fixed", the field will be annunciated in capital letters (MAG: or TRUE:) to indicate confidence that the value represents an accurate magnetic or true heading.

**ELEV:**

The ELEV field shows a current position value of the elevation axis. It also shows the status of elevation limits (STOW, DOWN, UP). The elevation axis may be moved by pressing the EI Up or EI DN keys.

NOTE: when the azimuth field shows a pulse count value (due to pressing of the Scroll Up/Angle CT key), the ELEV field will also show the current elevation pulse count. During the other three choices of azimuth display, the field will show the elevation angle derived from the inclinometer.

Following a LOCATE operation, the azimuth and elevation limit fields will display the target angles in parenthesis. If a limit condition is active, the limit display will overwrite the target values.

**POL:**

This field shows the current angular value of the polarization axis along with its limits (CCW, CW). This field will also show if the polarization axis has been placed at a predefined horizontal (H) or vertical (V) position. An asterisk (\*) placed before the POL label indicates that the proceeding LOCATE function calculated that a waveguide switch "flip" will have to occur.

The value of the predefined horizontal and vertical positions depends on what mode was active prior to entering the MANUAL mode. If a LOCATE operation occurred prior to MANUAL, the H and V values will be those automatically calculated by the LOCATE mode. Otherwise H and V depend on whether or not satellites have been STOREd. If MANUAL was entered following a RECALL operation, H and V will be those stored for the RECALLed satellite. If multiple satellites have been STOREd, H and V will correspond to the values for the closest (in terms of azimuth location) STOREd satellite. If no satellites have been STOREd, H and V will be that of the default horizontal and vertical positions set by the user.

The polarization axis may be moved manually by pressing the Pol CCW or Pol CW keys. The axis may also be moved automatically to the predefined horizontal or vertical positions by pressing the H or V keys.

In the MANUAL mode, whenever the "5 H/V" key is pressed the polarization axis will automatically move 90 degrees from its current position. The target position for this automatic "cross polarization" movement takes into account the user defined polarization axis limits. For example, if a cross polarization movement of 90 degrees clockwise will move the axis beyond the clockwise limit, the movement will be achieved by moving 90 degrees counter-clockwise.

#### **SS1/SS2/RF:**

This field shows the current signal strength sensed on the selected signal strength channel. By pressing the "Scroll Dn RF/SS" key the source of signal strength will rotate between signal strength channel 1 (SS1), signal strength channel 2 (SS2) and the RF autotrack input (RF).

The current signal strength will be displayed as a value between 0 and 999 (see 2.5.3 Signal Strength Adjustment). If the selected signal source is saturated (value greater than 999), \*\*\* will be displayed.

If a signal lock input has been enabled associated with RF, SS1 or SS2, an "L" will be displayed to the right of the signal strength value whenever the signal lock condition has been satisfied.

#### **SPD:**

This field shows the selected drive speed. The speed may be toggled between FAST and SLOW by pressing the Speed key.

#### **SAT:**

This field shows the name of a satellite. The satellite shown depends on which of the following actions occurred most recently:

- 1) if an automatic LOCATE of a satellite was performed, the selected satellite's name will appear in lowercase letters (brasil a1). This is to indicate the RC3000 has moved to where it believes the selected satellite is located. The name is in lowercase letters to remind the user to positively identify and peak up on the satellite before storing.
- 2) If during manual jogging of the antenna, the azimuth and elevation approach a position where a satellite has been stored, the stored satellite's name will appear in lowercase letters when the antenna is in the general vicinity and in uppercase letters when the antenna is almost exactly in the position the satellite was stored.
- 3) Following a RECALL of a stored satellite, that satellite's name will appear in uppercase letters until the antenna has been moved enough for case 2 to apply.

#### **TIME DISPLAY**

MANUAL mode will display the reference time (1.3.5) and time zone in the lower right hand corner.

## AUXILLARY FUNCTIONS

According to the RC3000's configuration and current conditions, several additional functions may be initiated via the MANUAL mode.

### 3.2.1.1 Heading Fix

From the MANUAL mode the user is given the ability to correct the mount's true heading based on where the selected satellite is found. This HEADING FIX capability is available when all of the following conditions are true:

- 1) MANUAL mode was automatically entered following a LOCATE
- 2) The selected satellite is geostationary (inclination = 0 )
- 3) The mount's position has not already been saved
- 4) The RC3000 is equipped with the GPS and Fluxgate compass options

When the above conditions are present, the "<0-9>JOG ANTENNA" message will alternate with a "<ENTER>FIX HEADING" message. The user should positively identify that he is on the selected satellite (the satellite named in the SAT: field) and then manually peak up in azimuth and elevation. When the Enter key is pushed the MANUAL mode will switch to the following screen.

PREDICTED AZIM: -50.9	HEADING FIX
CURRENT AZIM: -48.7	SAT:galaxy 7
DIFFERENCE: 2.2	
<BKSP>APPLY DIFF. TO HEADING <MODE>EXIT	

The HEADING FIX screen shows the name of the selected satellite in the SAT: field. The PREDICTED AZIM field shows the target azimuth originally predicted by the LOCATE function based on the mount's current position. The CURRENT AZIM field shows the where the user peaked up on the satellite while in MANUAL mode.

The DIFFERENCE field shows the value obtained by subtracting the predicted azimuth from the current azimuth. This difference should reflect the error in the mount's true heading currently in use. Pushing the BKSP key will apply the difference to the mount's heading for use in subsequent LOCATE operations. In the above example, if the current true heading of the mount was 195.0 it would be "fixed" to 197.2.

NOTE: to make this "fixed heading" persist through the next powering down of the RC3000, the mount's position would need to be "saved" via the POSITION mode. If the difference is applied, the RC3000 will proceed to the POSITION screen.

If the user is unsure that applying the difference is the correct thing to do, pressing the Mode key will return the RC3000 to the MANUAL mode.

### 3.2.1.2 Waveguide Switch

For mounts equipped with the optional waveguide switch control module, manual control of the waveguide switch may be initiated via the MANUAL mode.

**NOTE:** The WAVEGUIDE SWITCH configuration item on the System Definition screen (3.3.1.2.1) must be set in order for software to allow the changing of the waveguide switch position from the Manual mode.

When a waveguide switch is present, the Manual mode screen appears as shown below:

```
AZIM:  0.0 STOW   SS1: 50      MANUAL
ELEV: -42.5 DOWN  SAT:TELSTAR 402
POL:   30.0 V     SPD:FAST WAVE:H  CST
<0-9>JOG<BKSP>WAVE <MODE>MENU 14:25:47
```

#### **WAVE:**

This field shows the currently sensed position of the waveguide switch. "H" denotes the horizontal position, "V" the vertical, "?" indicates that neither position is sensed and "\*" indicates that both H and V are sensed (probably an error condition).

Pressing the BKSP button will toggle the switch position. During the switch transition, a "+" will be displayed when going to the H position and a "-" will be shown while going to the V position. Note that after 5 seconds the switching operation will timeout and drive voltage will be stopped if the desired position has not been sensed.



### 3.2.2 Menu Mode

MENU mode allows the user to select one of listed modes. Pressing the Mode key will move to MANUAL mode. Note: RECALL and DELETE will not be displayed if no satellites are currently STOREd.

1-DEPLOY	2-STOW	3-LOCATE	MENU
4-STORE	5-RECALL	6-DELETE	
7-POSITION	8-SETTINGS		CST
<0-9>SELECT	<MODE>MANUAL		14:37:23

MENU mode displays the reference time and time zone in the lower right hand corner.

### 3.2.2.1 Deploy

The DEPLOY mode automatically moves to the mount's predefined "deploy" position. See appendix B for the list of deploy positions for the various mounts supported. The deploy command requires an explicit confirmation in order to initiate antenna movement.

```
<MODE> MENU (DO NOT DEPLOY)          DEPLOY
<BKSP>CONTINUE DEPLOY
```

Pressing the BKSP key will initiate the DEPLOY movement. If the DEPLOY mode was inadvertently entered, pressing the Mode key will return to the MENU mode without initiating antenna movement.

```
AZIM:  0.0 (  0.0)                      DEPLOY
ELEV: -42.1 ( 22.3)
POL:  -56.7 (  0.0)
MOVING TO (DEPLOY)          <STOP>HALT MOTION
```

As each axis moves, its label (AZIM/ELEV/POL) will flash and the current position will update. The target deploy positions will be displayed in parenthesis. The sequence of axis movement will be mount dependent.

Following completion of movement to the deploy position, the RC3000 will return to MANUAL mode. The automatic movement may be terminated anytime by pressing the Stop key.

The azimuth, elevation and polarization deploy positions are defined in the Stow/Deploy configuration screen (3.3.1.3.10).

### 3.2.2.2 Stow

The STOW mode automatically moves to the mount's predefined "stow" position. See appendix B for the list of stow positions for the various mounts supported.

Like the DEPLOY mode, STOW requires an explicit confirmation to initiate movement.

```

<MODE>MENU (DO NOT STOW)           STOW
<BKSP>CONTINUE STOW
```

After initiation a sequence of movements will be performed to stow the antenna. The sequence of axes movements will be mount dependent. As each axis moves, its label (AZIM/ELEV/POL) will flash and the current position will update. The target stow positions will be displayed in parenthesis.

```

AZIM: -123.4 ( 0.0)           STOW
ELEV:  55.1 ( -67.5)
POL:  -56.7 ( 0.0)
MOVING TO (STOW)           <STOP>HALT MOTION
```

The following describes a typical sequence of movements:

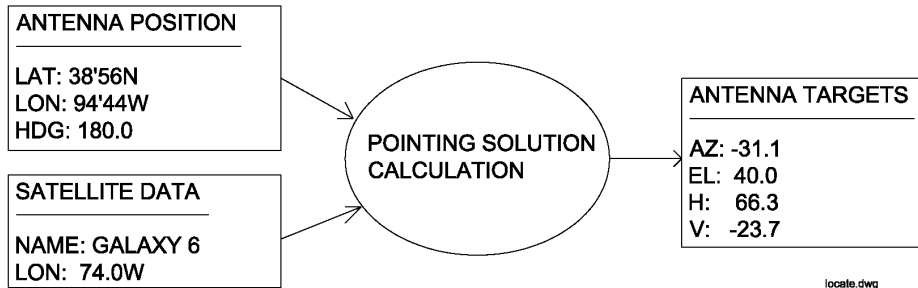
- the azimuth axis is moved to its stow position (typically AZIM:0.0). After moving to this indicated position, the RC3000 will confirm the position by looking to see if the azimuth stow switch is active. If the azimuth stow switch is not recognized, the mount will be moved a short distance either side of the current position trying to find the azimuth stow switch. If the controller fails to see the azimuth stow switch the following message will be displayed: "\*\*CANNOT FIND AZ STOW SWITCH\* <MODE>EXIT" and no further stow movements will be performed.
- if stowing of the polarization axis is enabled, the polarization axis will next move to its defined stow position. As with the azimuth axis, if a polarization stow switch (if the mount is so equipped) is not confirmed then the message "\*\*CANNOT FIND POL STOW SWITCH\* <MODE>EXIT" will be displayed and no further stow movements will be performed.
- if the azimuth and optional polarization movements complete successfully then the elevation axis will move to its stow position. Typically this movement ends when the elevation stow limit is encountered.

Following completion of movement to the stow position, the RC3000 will return to MANUAL mode. The automatic movement may be terminated anytime by pressing the Stop key.

Many mounts have unique stow sequence requirements. Check appendix B to see if your mount has any unique stow situations. Stow and deploy parameters may be customized via the Stow and Deploy Positions configuration screen (3.3.1.3.10). Typically the default parameters will be correct for a particular mount.

3.2.2.3 Locate

The LOCATE mode performs a calculation of the pointing angle (1.3.4) to a selected satellite based on the RC3000's estimate of where the antenna is positioned (lat/lon) and oriented (true heading). After the calculation is performed the user may initiate an automatic antenna movement to locate the selected satellite.



When the mode is first entered the following screen appears.

```

    POS:      38°56N  94°44W  180.0      LOCATE
    SAT: GALAXY 6    74.0W           AZ: -31.1
                                           EL: 40.0
    <1>SELECT NEW SAT          READY TO LOCATE
  
```

**POS: 38°56N 94°44W 180.0**

The POS: field shows the RC3000's current estimate of antenna position. If no estimate of antenna position is available, the RC3000 will automatically attempt to obtain position information from the navigation sensors (GPS receiver and fluxgate compass) if present.

**Mount Position Initialization.** In order to calculate a pointing solution, the RC3000 requires knowledge of the mount's "position". The three components of mount position are latitude, longitude and true heading.

The current latitude, longitude and true heading where the RC3000 believes the antenna is positioned is displayed on the top line. The position data obviously affects the pointing angle that the RC3000 calculates and is displayed as a crosscheck for the user in case the vehicle has been moved and the RC3000's position has not been updated. If the lat/lon or heading data is not considered valid by the RC3000, asterisks will be displayed in the appropriate field and the "parameter needed" message will be triggered in the location readiness field.

The RC3000 polls the GPS receiver first to get latitude and longitude information. If no communication with the GPS is received, the error message "GPS OFFLINE" will be displayed. In this case the interface between the RC3000 and the GPS receiver would need to be checked. If the RC3000 is communicating with the GPS receiver but the GPS indicates it has not yet been able to generate a valid lat/lon, then the message "NAV NOT READY" will be displayed. The "NAV NOT READY" situation should not last for more than a minute. If it does, then investigate whether or not the GPS receiver's view of the sky is blocked by buildings, etc.

If a valid lat/lon is received from the GPS then the lat/lon information will be displayed. Next the RC3000 will flash "MAGVAR" while it calculates the local magnetic deviation as a function of latitude, longitude and time. After calculating the local magnetic variation, the RC3000 will poll the fluxgate compass for magnetic heading information. The magnetic variation will be applied to the magnetic heading to form the estimated true heading of the mount.

If the navigation sensors (GPS and/or compass) are not working (or not available), the position information may be entered manually via the POSITION mode (3.2.2.7).

**SAT: GALAXY 6 74.0W**  
**<1>SELECT NEW SAT**

The SAT: field shows the currently selected satellite's name and longitude. When the mode is first entered the name of the last satellite selected will be displayed. If the user wishes to locate another satellite, he may start the process of selecting the new satellite by pressing the "1" key. See 3.2.2.3.1 for further details on the three methods of selecting a satellite.

When the selected satellite is changed the LOCATE mode will automatically calculate new azimuth and elevation pointing targets.

**AZ: -31.1**  
**EL: 40.0**

These fields show the azimuth and elevation pointing angles calculated for the selected satellite based on the current mount position estimate. If one of the required parameters is missing or the calculation has yielded an invalid answer, asterisks will be displayed in these fields.

**NOTE: the displayed AZ target is not a true heading display but rather a mount-relative angle. The elevation target is a true elevation value.**

**MAG:/TRU:**

If the user wishes to display a magnetic or true heading pointing solution (rather than antenna relative), he may choose how the azimuth data is presented by changing the initial\_azimuth\_display configuration item via the Azimuth Calibration (3.3.1.2.3) screen.

**Location Readiness Status**

In the lower right corner of the display, a message is displayed showing the status of the location calculation. Three messages may be displayed:

- 1) **PARAMETER NEEDED.** The pointing angle calculation requires 3 sets of data a) vehicle lat/lon b) vehicle heading and c) satellite information. If lat/lon and/or heading is missing/invalid, the user will need to go to POSITION mode to enter valid data. If satellite information is missing/invalid, the user will need to supply that information via the mechanisms described in 3.2.2.3.1.
- 2) **AZIM/ELEV RANGE ERROR.** If the pointing solution calculation yields an azimuth angle that is outside the clockwise or counter-clockwise azimuth limit (3.3.1.2.3) or outside the up or down elevation limit (3.3.1.2.2), one these messages will be displayed to indicate that the RC3000 does not think it can move the antenna to the correct position to acquire the satellite. The user may have to move the vehicle to place it in an orientation that will allow the mount to move to the required position. Note that this message may indicate that the current position data is incorrect (example: wrong heading).
- 3) **READY TO LOCATE / PRESS <ENTER>.** This alternating message indicates that the RC3000 considers the calculated pointing solution valid. Pressing the Enter key will initiate automatic movement to find the selected satellite as described in 3.2.2.3.2.

3.2.2.3.1 Satellite Selection

Several pieces of information must be provided to describe a satellite to the RC3000 before the satellite may be automatically located (and subsequently stored, recalled, tracked, etc):

NAME: up to 10 characters (A-Z, 0-9, space)

LONGITUDE: described in decimal degrees (180.0W to 180.0E)

INCLINATION: the number of degrees of orbital inclination. If a satellite is described as having an inclination greater than zero, the RC3000 will consider it an inclined orbit satellite and subsequently attempt to track its movement.

BAND: the RF band that the user's equipment will be receiving from the satellite. The band information helps determine tracking movement size and timing. Throughout the RC3000, the bands are assigned numbers from the following list: <0-C 1-Ku 2-CK 3-L 4-X 5-Ka 6-S>

POLARIZATION OFFSET: predicted polarization angles (horizontal and vertical) assume that the spacecraft maintains its polarization axis oriented with the equatorial plane. A few satellites don't maintain this orientation. The amount of offset from this standard in degrees must be defined. The sign convention used is that the offset is defined from the perspective of looking from the earth to the satellite (clockwise positive, counterclockwise negative). If no offset exists, the default value of 0 is described.

When the <1> key is selected from the main LOCATE screen, the following screen appears to allow the user to select new satellite information via three methods.

```

1-MANUALLY ENTER SAT DATA          LOCATE
2-CHOOSE SAT FROM PRESET LIST
3-SELECT SAT LONGITUDE
<1-3>SELECT SAT DATA SOURCE  <BKSP>EXIT

```

#### manual satellite entry

```

NAME:          LON:          LOCATE
INCLIN:        BAND:
PL_OFF:
ENTER NAME

```

When the user chooses to manually enter the satellite data, a screen appears with fields to enter the four required pieces of data.

#### Preset satellite list

```

# NAME          LON  INC  BAND          LOCATE
1 BRASIL A1    79.0W  2    C
<SCR>THRU PRESET LIST          <BKSP>EXIT

```

When the user chooses to select a satellite from the user programmed list of satellites, a screen appears allowing the user to scroll through the list and select a satellite by pressing the Enter key. The preset list contains data for 20 satellites programmed by the user via the Preset Satellite configuration mode (3.3.1.1.3). **It is strongly suggested that the user program and use the preset satellite list.**

#### Satellite Longitude

```

LON: 94W          BAND: Ku          LOCATE
(ASSUMES NO INCLINATION & POL OFFSET)
<SCR>LON <7>BAND <ENTER>SELECT  <0>EXIT

```

When the user chooses to select a satellite longitude, a screen appears showing the satellite orbital slot closes to the mount's current longitude. The user may change the orbital slot by one degree at a time by scrolling up or down (down for more Westerly, up for more Easterly). The selected satellite's band may also be changed. The name used by the LOCATE function will reflect the orbital slot selected ( "94W" in the above example.)

NOTE: Selected satellite data pertains only to information about a particular satellite. With respect to the RC3000 this is not considered "STOREd" data. See the STORE mode (3.2.2.4) for more information.

### 3.2.2.3.2 LOCATE Automatic Movement

Before automatic movement to the calculated position is initiated, the RC3000 requests that a polarization position be selected. This is so the polarization mechanism will be in the correct position to be able to detect received signal strength.

Note: this selection is not requested if the polarization configuration is defined as “circular” or if the polarization automove is disabled via the polarization configuration screen (3.3.1.2.4). In this case the RC3000 will only request that the user press the BKSP key to confirm that the automatic LOCATE movement is to proceed.

```

H-HORIZONTAL:  85.4                LOCATE
V- VERTICAL:   -4.6                SAT: GALAXY 7
8- NEUTREAL:   40.4                <MODE>MENU
<H/V/8> SELECT POLARIZATION    <BKSP>NONE

```

The RC3000 calculates the vertical polarization position as a function of mount latitude/longitude and satellite longitude. The horizontal position is calculated as 90 degrees from the vertical in the direction (Clockwise/Counter-Clockwise) that will maintain the horizontal position within the polarization axis' range of movement. The “neutral” position represents the polarization angle halfway between the calculated vertical and horizontal values. The neutral position may be appropriate if the autopeak function is using the L-Band detector (RF) input for signal strength observation. If the user does not want a polarization movement to be performed for this LOCATE, pressing the BKSP key will initiate the elevation and azimuth automatic movements but a polarization movement will not be performed.

NOTE: If the polarization calculation determines that the correct orientation is outside the polarization axis' limits, the target position will be achieved by moving the position by 90 degrees. This situation is annotated by placing an “\*” next to the calculated horizontal and vertical positions. The user may need to “flip” a waveguide switch in this case.

Immediately following the polarization selection, the RC3000 will begin moving to the calculated position. The progress of the movement is displayed on the following screen.

```

AZIM:  0.0 ( -5.9)                LOCATE
ELEV: -61.7 ( 44.8)                SAT: GALAXY 7
POL:   0.0 ( -45.0)
MOVING TO (TARGETS) <STOP>HALT MOTION

```

The current angular values for az/el/pol are displayed along with the target position for each axis in parenthesis. The label for the current axis being moved will flash. Movement may be halted at any time by pressing the Stop key. Halting movement will return the controller to the MANUAL mode.

The first automatic movement will be in the elevation axis to ensure that the mount is brought out of the elevation stow and down regions. The next movement will be in the polarization axis to ready the feed system to detect signal strength. If enabled, tilt compensation (3.2.2.3.6) movements will be performed.

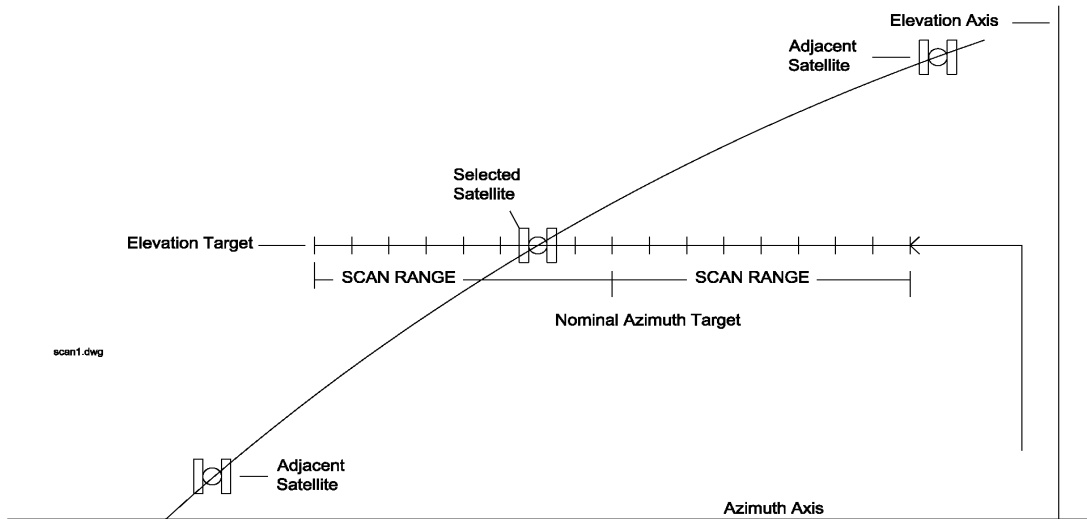
The final movement will be in the azimuth axis. How this movement is accomplished depends on whether the autopeak system (see Autopeak Configuration 3.3.1.2.6) is enabled and whether the selected satellite is described as having an inclined orbit or not.

If the autopeak system is not enabled, the LOCATE mode will finish by moving to the nominal target azimuth position. A final movement to the target elevation will also be performed to account for change in mount elevation due to vehicle tilt. Following this movement, the controller will return to MANUAL mode where the user should peak up and confirm the identity of the satellite.

If the autopeak system is enabled, an azimuth scanning autopeak movement (see 3.2.2.3.3) will be performed if the selected satellite does not have an inclined orbit. If the satellite does have an inclined orbit a spiral search movement (see 3.2.2.3.4) will be performed. For both autopeak movements to be successful, the user is required to have the receiving equipment (prior to the movement) configured for the RC3000 to be able to detect signal strength.

3.2.2.3.3 Azimuth Scanning Autopeak

The figure shows the movements made to perform an azimuth scanning (SCAN) operation. This SCAN operation enables the RC3000 to try to compensate for any azimuth inaccuracy caused by truck heading calculation errors.



- 1) as part of the basic LOCATE movement, the mount will be moved to the target elevation position and the polarization axis will be moved to the correct orientation.
- 2) SCAN moves to the closest azimuth position “scan range” away from the nominal target azimuth. SCAN will begin trying to detect a satellite from this position.
- 3) SCAN steps and samples signal strength following each step. The signal strength measurements are used to calculate the average background signal noise and to determine if a signal strength peak has been detected indicating the presence of a satellite at a particular position. The size of steps taken is calculated as a function of the antenna diameter and the signal band the receiving equipment is using to ensure that the satellite is not “stepped over”. Note that in order to compensate for any vehicle tilt, occasionally elevation movements are also made to stay on the target elevation. Note also that the stepping movements may be truncated due to the physical limit of azimuth movement.
- 4) After completing the total number of step movements, SCAN moves to the position that gave the best indication of a satellite. If no satellite was clearly indicated, SCAN moves back to the original target.

During the SCAN operation, line 4 of the display shows the total number of steps to be made and the current step being performed.

```

AZIM: 0.0 ( -5.9)      SS1:523  LOCATE
ELEV: -61.7 ( 44.8)   SAT:GALAXY 7
POL: 0.0 ( -45.0)
SCAN( 1/17) AZIMUTH FOR PEAK <STOP>HALT
    
```

The scan range is a user-defined angular value (see autopeak configuration 3.3.1.2.6) that determines the range to be searched by the SCAN routine. Since this angular range is user-defineable, there are

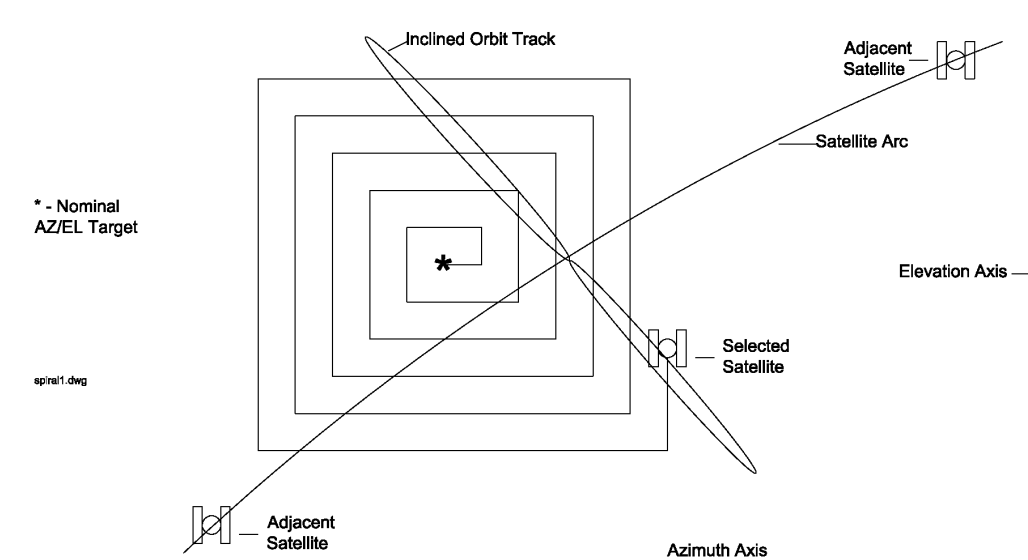


several factors to take into consideration. If the range is too narrow, it might not be able to compensate for a heading error. If the range is too wide, it will take the unit slightly longer to lock up, although this is usually not a significant amount of time. There might also be certain situations in which two satellites will be at a given elevation within that specified wider range, and the RC3000 will position the antenna at the point of the strongest signal, even though it is not the desired satellite. This value can be changed at any time. It is recommended that the narrowest scan range that results in consistently locating the desired satellites be used.

Following the completion of the SCAN operation, the RC3000 will move to MANUAL mode. As in the case of the basic LOCATE, the user should peak and confirm the identity of the satellite.

3.2.2.3.4 Spiral Search Autopeak

The spiral search autopeak operation (SEARCH) performs somewhat differently from the SCAN operation. Whereas SCAN counts on the fact that a non-inclined orbit satellite should be at the calculated elevation, SEARCH must account for the fact that at a particular time an inclined orbit satellite may be above or below the nominal target elevation. The figure shows the movements made to perform the SEARCH operation.



- 1) as part of the basic LOCATE movement, the mount will be moved to the target elevation position and the polarization axis will be moved to the correct orientation.
- 2) SEARCH will move to the target azimuth (correcting for elevation if needed) and take an initial signal strength sample. Note that the target azimuth may be slightly off due to initial compass error.
- 3) If no hot spot is initially found, SEARCH will begin searching an area around the target position by stepping in an CW/UP/CCW/DN sequence using increasing number of steps in each direction to effect a spiral like pattern. Unlike SCAN, SEARCH looks for a signal strength above a defined threshold in order to declare an end to the SEARCH operation. Performing the total search pattern could be time consuming so the search is terminated when a hot spot is found.
- 4) If no satellite was detected, SEARCH moves back to the original target.

During the SEARCH operation, line 4 of the display shows the current direction and step number so the user can keep track of the operation's progress.

```

AZIM:  0.0 ( -5.9)    SS1:523  LOCATE
ELEV: -61.7 ( 44.8)   SAT:GALAXY 7
POL:   0.0 ( -45.0)
SPIRAL SEARCH(CCW 12)    <STOP>HALT
    
```

Note that when pulse-based position feedback is available, the automatic azimuth and elevation movements are pulse rather than pot based for greater accuracy.

### 3.2.2.3.5 Terminal Peak Up

**NOTE: this option is only functional if the mount has been fitted with high resolution pulse or resolver sensors for both the azimuth and elevation axes. This option will not be available on some mounts where the ability to fit high resolution sensors is not available. The performance of this movement depends on whether or not the correct azimuth and elevation pulse scale factors (3.3.1.3.3 and 3.3.1.3.6) have been characterized for the mount.**

The terminal peakup option is selected via the AUTOPEAK ON configuration item (3.3.1.2.6).

If an azimuth scan finds a peak, it will return to the azimuth position where it noted the peak. This position may not be the absolute peak position due to the relatively large steps taken during the azimuth scan. If enabled, the terminal peakup option will next perform a "fine tune" peakup. While executing this peakup, line 4 will display "PERFORMING PEAKUP" and the AZIM and ELEV fields will display pulse or resolver counts rather than angles.

During the peakup, small jogs in azimuth and elevation will be made to find the local peak position. These movements will be similar to the Step Track maneuver described in 3.2.2.9.1. The step sizes taken will approximate a theoretical signal strength change of 0.3 dB (according to antenna size, operating band, etc).

### 3.2.2.3.6 Polarization Tilt Compensation

If enabled via the TILT configuration item in the AUTOPEAK screen (3.3.1.2.6), additional movements in azimuth will be made during the LOCATE function in order to characterize the pitch and roll of the antenna platform.

Rather than going directly to the beginning point for a scan operation, azimuth will be moved to points 90 and 45 degrees away. The elevation axis will not be changed during these moves so the effect of platform pitch and roll can be measured via the inclinometer. During these additional azimuth movements a message such as "DETERMINE TILT: MOVE AZIM TO FIRST POINT" will be displayed on line 4 to indicate that the tilt is being characterized.

After the platform tilt has been characterized, the normal LOCATE sequence will be finished. After reaching the target location, an additional step will be performed to move polarization to compensate for any platform tilt. During this step the message "ADJUSTING POL TO COMPENSATE FOR TILT" will be displayed.

### 3.2.2.4 Store

The STORE mode saves a satellite's name, azimuth and elevation positions, horizontal and vertical polarization positions and RF band in memory for use in later RECALLing the satellite.

When the STORE mode is entered, it is assumed that the user has peaked up on the satellite. The first screen that appears asks the user to confirm the name of the satellite to be stored. The name displayed is that of the latest satellite "selected" in LOCATE mode.

```

SAT      LON INCLIN BAND      STORE
BRASIL A1  79.0  2    C
VERIFY SATELLITE DATA OK FOR STORING
<1>CORRECT <2>INCORRECT      <MODE>EXIT

```

If this is not the correct satellite (<2>), the following message will be displayed on lines 3 & 4 to remind the user to "select" the correct satellite from the LOCATE mode.

```

GO TO LOCATE MODE TO SELECT SATELLITE
<MODE> RETURN TO MENU

```

If the satellite data is correct (<1>), the user will next be asked to store values for horizontal and vertical polarization positions. While this screen is displayed, the Pol CW and Pol CCW keys are active allowing the user to peak up in this axis. The "5" key is also active to initiate a 90 degree "cross polarization" movement. Note that the user will need to tune the receiving equipment to correct frequencies for the different polarizations. To store a polarization position, press the H key for horizontal and V for vertical. When a polarization is stored, the display for that orientation will change from "NOT SET" to SET.

```

HORIZONTAL: NOT SET      STORE
VERTICAL: NOT SET
POL:      -4.3      SS1:795 L
<5>X-POL <POL CW/CCW>PEAK <H/V>STORE POL

```

Note that if the signal strength source is not correct to peak up on, go to the MANUAL mode to change signal strength source.

If the selected satellite is not inclined, the following screen will appear momentarily and the RC3000 will return to MANUAL mode.

```

*** SATELLITE DATA STORED ***
RETURNING TO MANUAL MODE
RECALL SATELLITE VIA MENU-RECALL

```

If an inclined satellite is selected (and the inclined orbit tracking option is present), control will automatically move to the TRACK (3.2.2.9) mode.

If the STORE function is completed correctly, the mount's position will be saved (see POSITION 3.2.2.7). If the position is saved, the user will be asked to verify the position upon power up of the RC3000. If the mount has moved, STORED'd data will no longer be valid since the azimuth and elevation angles will no longer be correct.

### 3.2.2.5 Recall

NOTE: RECALL and DELETE modes will not be available from MENU if no satellites are currently "stored".

Satellites which have been stored in the controller's non-volatile memory (via STORE) can be recalled from the RECALL mode. Azimuth, elevation, and horizontal and vertical polarization data for up to 20 satellites may be stored in non-volatile memory.

```

                                     RECALL
STORED SATELLITE: SBS 4
<SCR>THRU LIST <ENTER>SELECT

```

Use the Scroll Up and/or Scroll Dn keys to scroll through the list of satellites stored in non-volatile memory. Press the ENTER key to select the desired satellite.

If no satellites are currently stored the following screen will appear.

```

                                     RECALL
** NO SATELLITES STORED **
SETUP SATELLITES VIA STORE MODE
<MODE> TO EXIT

```

If invalid data was somehow stored for a satellite the following screen will appear.

```

                                     RECALL
** INVALID DATA STORED FOR SATELLITE **
<ENTER>SELECT ANOTHER SAT <MODE>EXIT

```

After a satellite has been selected, the controller will prompt the user to specify the desired polarization

Antenna movement to the stored position will proceed similar to the STOW and DEPLOY automatic movements. Antenna movement can be stopped at any time by pressing the Stop key.

When the automatic move is completed, control will transfer to MANUAL mode if the target is a geostationary satellite. If the target of the automatic move is an inclined orbit satellite, TRACK mode receives control.

### 3.2.2.6 Delete

The DELETE mode allows a stored satellite to be removed from non-volatile memory.

```

# OF STORED SATS: 12                                     DELETE
DELETE: AMERISTAR
<SCR>THRU LIST <ENTER>DELETE <MODE>EXIT

```

The user may scroll through the list of stored satellites and delete the displayed satellite by pressing the Enter key. Note that at the end of the list is a delete all stored satellites option. If no satellites are stored, the message "RETURNING TO MENU" will momentarily appear and control will return to the MENU mode.

### 3.2.2.7 Position

The POSITION mode allows the user to set the latitude, longitude and heading of the vehicle for subsequent use in calculating pointing angles to satellites. The first screen that appears shows the current mount position used in the RC3000. Note: Mount "position" consists of the mounts latitude, longitude and true heading of the azimuth centerline.

```
L/L:38°56N 94°44W GPS          POSITION
ANT BEARING:225.0 FLUXGATE     NOT SAVED
<1>LAT/LON                    <4>SAVE
<2>HEADING <3>AUTO INIT      <MODE>EXIT
```

The mount's position will not be retained at power off unless the position is explicitly saved by pressing the "4" key. If the position is saved, the date and time that the position was saved is noted.

#### 3.2.2.7.1 LAT/LON

When the user chooses to modify latitude and longitude, a screen appears showing the current lat/lon and the source of that value. In the example screen the source shows that the current lat/lon was obtained from the GPS. If the current values had been entered manually "MANUAL" would show for the source. If the current values had come from the preset vehicle location list (see Preset Locations configuration 3.3.1.15), the name (ex. WICHITA) of the preset location would appear. If there is currently no valid lat/lon "NO POS SOURCE" would be displayed.

```
38°56N 94°44W GPS          LAT/LON
SELECT LAT/LON SOURCE #
<1>MANUAL <2>PRESET <3>GPS
```

The user is prompted to select what type of source (manual entry, preset location list, gps) to use to modify lat/lon.

#### Manual Lat/Lon Entry

```
38°56N 94°44W GPS          LAT/LON
LAT:          LON:
MANUALLY ENTER LAT/LON <MODE>EXIT
```

The user is provided two fields to manually enter lat and lon. See 3.1.4 (Data Entry) for instructions on how to enter latitude and longitude.

#### Preset Location List

```
38°56N 94°44W GPS          LAT/LON
2 37°36N 97°18W WICHITA
<SCR>THRU LIST <ENTER>SELECT <BKSP>EXIT
```

The user scrolls through the list of preset locations and selects the displayed location by pressing the Enter key. Note that the number within the list (2) is displayed along with the name and lat/lon.

**GPS Lat/Lon**

```

37°36N 97°18W WICHITA          LAT/LON
GPS:38°56N 94°44W 17:36:59
<ENTER>USE GPS LAT/LON      <BKSP>EXIT

```

The current lat/lon the gps has calculated is displayed. The UTC the gps is outputting is also displayed to show that the data is being updated. To select this lat/lon press the Enter key. Note that if the gps is not reporting a valid position fix the message "WAITING FOR GPS" will appear.

**3.2.2.7.2 HEADING**

When the user chooses to modify heading, a screen appears showing the current heading (HDG:) and source (SRC:) of heading. If valid heading data is coming from the fluxgate, this data will appear in the FLUX HDG: field. The MAG VAR: field displays the calculated magnetic variation for the current lat/lon/date. If the RC3000 thinks it needs to recalculate magnetic variation (thinks lat/lon has changed) the MAG VAR: field will flash "CALC". The magnetic variation calculation may take up to 10 seconds.

```

FLUX HDG:214.3      HDG:180.0      HEADING
MAG VAR: 3.8        SRC:MANUAL
AZ OFF: 0.0 <1>MAG <2>TRU <3>COMPASS
TRUE HDG:218.1 SELECT SOURCE <MODE>EXIT

```

To modify the heading to the value determined via the fluxgate (flux heading + azimuth offset + mag var) press the 3 key.

If the user wishes to enter a magnetic heading of the vehicle press 1.

```

MAG HDG=>          HDG:180.0      HEADING
MAG VAR: 3.8        SRC:MANUAL
AZ OFF: 0.0 <1>MAG <2>TRU <3>COMPASS
TRUE HDG: **** SELECT SOURCE <MODE>EXIT

```

After the magnetic heading is entered, the RC3000 will apply the magnetic variation and azimuth offset to generate the true heading of the mount's azimuth centerline.

If the user wishes to manually enter true heading press the 1 key and the prompt to enter heading will appear on line 3 as shown below.

```

FLUX HDG:214.3      HDG:180.0      HEADING
MAG VAR: 3.8        SRC:MANUAL
AZ OFF: 0.0        ENTER HDG=>
TRUE HDG:218.1 SELECT SOURCE <MODE>EXIT

```

**3.2.2.7.3 INIT**

The INIT mode automatically performs the function of getting latitude/longitude from the GPS and heading from the fluxgate compass.

The first stage of the INIT mode obtains latitude and longitude from the GPS.

```

INIT
LAT/LON: *INITIALIZING GPS*
GETTING LAT/LON FROM GPS

```

The LAT/LON: field initially displays the status of communications with the GPS receiver. The following messages may be displayed:

“\*INITIALIZING GPS\*” – The RC3000 is establishing communications with the GPS receiver.

“\*NO GPS NAV\*” – Communications with the GPS is proceeding but the GPS reports has not yet calculated a valid navigation solution. This typically indicates one of two situations:

- 1) The GPS receiver has not been powered on long enough to have “acquired” enough satellites to form a solution. Typically the GPS receiver will acquire the required number of satellites within several minutes from powerup.
- 2) The GPS receiver’s view of the sky is obstructed such that it cannot “see” enough GPS satellites to form a solution.

“\*GPS OFFLINE\*” – This message indicates that the RC3000 has not established communication with the GPS receiver. The cabling between the RC3000 and the GPS should be checked.

After obtaining latitude and longitude, the INIT mode waits 10 seconds before pulling in magnetic heading from the compass. During this time the bottom line will flash “GETTING HEADING”. The 10 second delay is to ensure that the compass has settled following any previous platform movement.

```

INIT
FLUX HDG: 215.2
LAT/LON: 38°56N 94°45W MAG VAR: 3.9
TRUE HDG: 219.1

```

The INIT mode calculates magnetic variation and applies it to the magnetic heading to derive true heading.

Following successful initialization of latitude, longitude and true heading the INIT mode will display a “POSITION INITIALIZED” message for two seconds then return to the CALCULATE mode.



### 3.2.2.8 Settings

The SETTINGS mode provides a way to change the operational characteristics of the RC3000 without having to go to the configuration group of screens. It also provides a way to reset a drive error without going to the DRIVE RESET maintenance screen.

1-AUTOPEAK:OFF	SETTINGS
2- AP SIG:SS1	
	<0>RESET DRIVE
<1-2>CHANGE SETTING	<MODE>MENU

<0>RESET DRIVE

This selection is only available if an azimuth, elevation or polarization drive error (jam or runaway) is active. Selecting 0 will attempt to clear the error.

#### 1-AUTOPEAK:

**AUTOPEAK <0>DISABLE <1>ENABLE <2>+PEAK**

Selection 0 allows the user to disable the autopeak function (OFF).

Selection 1 allows the user to turn the basic autopeak function on (ON).

Selection 2 allows the user to enable the terminal pickup function (ON+) described in 3.2.2.3.5. **NOTE: Verify that the required conditions for terminal pickup as described in 3.2.2.3.5 are present before selecting this option.**

#### 2-AP SIG:

**SIGNAL SOURCE <1>RF <2>SS1 <3>SS2**

Selection 2 allows the user to change the signal source that will be used with the autopeak function.

### 3.2.2.9 Track

The optional TRACK mode may be entered via the STORE or RECALL modes if the selected satellite has been described as having an inclined orbit.

Details of TRACK mode are available in the separate appendix TRK describing inclined orbit tracking. The following descriptions give an overview of how tracking is performed.

**TRACKING INCLINED ORBIT SATELLITES.** The RC3000 tracking algorithm can be divided into three distinct stages - STEP\_TRACK, MEMORY\_TRACK, and SEARCH.

AZIM: 31561	SIG:735 (C)	TRACK
ELEV: 11060	SAT:BRASIL A1	
POL: 8.2	STEP:PEAKING	AGC
JOGGING ANTENNA TO FIND MAXIMUM SIGNAL		

In **STEP\_TRACK**, the controller periodically peaks on the receiver's signal strength by jogging the antenna. The time and position are recorded in a track table maintained in the controller's non-volatile memory. The interval between pickups is determined by antenna beamwidth (determined from antenna size and frequency band), satellite inclination and a user specified maximum allowable error (in dB). When a track table entry exists for the current sidereal time, STEP\_TRACK switches to MEMORY\_TRACK.

In **MEMORY\_TRACK**, the controller smoothly moves the antenna to azimuth and elevation positions derived from entries in the track table. The time between movements is determined by the same factors which govern the time between pickup operations in STEP\_TRACK. By increasing the maximum allowable error, antenna movements can be performed less frequently. In MEMORY\_TRACK, the accuracy of the track table is monitored by periodically peaking up on the receiver's signal strength. If the error exceeds a level set by the user, all entries in the track table are flagged for update.

**TRACK\_SEARCH** is entered when the satellite signal has been lost. The RC3000 utilizes Intelli-Search, an efficient search algorithm that minimizes errors associated with traditional box searches and frees the user from having to update vague search window parameters. This scheme accounts for the specific mount geometry, calculates the nominal trajectory for the satellite, and then searches in an area that coincides with the satellite's expected path. When the satellite is located, the controller re-enters the STEP\_TRACK mode.

### 3.2.2.10 Remote

In REMOTE mode the controller only responds to commands received via the built-in RS-422/232 serial port. REMOTE mode can only become active if the Remote Mode Enable CONFIG item is enabled. If REMOTE mode is enabled, it can become active either in response to receipt of a valid command from the PC. Note that TRACK mode can process certain commands received via the serial port. The RS-422 communication protocol, interface specification and the RC3000 command set is found in Appendix REM.

The REMOTE mode screen is similar to the MANUAL mode screen. Only the MODE key is active when REMOTE mode is active.

### 3.2.2.11 VSAT Mode

**INTRODUCTION** This section details operations of the RC3000's "VSAT" mode.

VSAT mode is intended to be used when the following conditions exist:

- 1) the mobile satellite terminal is to be run by operators with limited or no satellite communication training or experience
- 2) the same satellite and the same polarization orientation are to be used
- 3) the RC3000 is equipped with a GPS receiver and Fluxgate compass to allow automatic calculation of the satellite pointing solution

VSAT mode limits the RC3000 functions that the operator may perform to LOCATE and STOW. To perform other functions or to change operating parameters, expert access permission must be established and the RC3000 must be taken out of VSAT mode.

NOTE: VSAT "mode" refers to the overall functioning of the RC3000. VSAT is not a mode in the same sense as MANUAL, LOCATE, TRACK, etc. are modes.

#### PRIOR TO ENTERING VSAT MODE

VSAT mode should not be entered until the RC3000 has been well calibrated with the antenna and receiving systems. VSAT mode requires that the LOCATE and STOW modes consistently work well.

In order to achieve good performance, ensure that:

- 1) the azimuth, elevation and polarization axes are well calibrated
- 2) the Fluxgate calibration procedure as been performed and yields good results
- 3) the source of signal strength has been well calibrated

Before entering VSAT mode, the satellite to be used and the polarization orientation (Horizontal, Vertical or None) has been selected as part of a completed LOCATE function.

#### ENTERING VSAT MODE

VSAT mode is selected from the SYSTEM DEFINITION configuration screen (3.3.1.2.1).

```

GPS: 1                                CONFIG-SYSTEM
COMPASS: 1  ANT_SIZE: 120             WAVEGUIDE: 0
MODE: 2
<1>LOCATE <2>MENU <3>MANUAL <4>VSAT

```

When the value of 4 is entered for the MODE item, the RC3000 will enter VSAT "mode".

When VSAT mode is entered, expert access permission (3.3.1.1.1) is set to NORMAL. This in itself will prevent the operator from accessing most configuration items and some functions of the RC3000. VSAT mode will further limit operator actions as now described.

After VSAT mode is entered, the RC3000 switches to the MENU screen. The following describes VSAT mode operation by showing a typical sequence of events.

## VSAT MODE OPERATION

After powering up the RC3000, the MENU screen will appear.

```

1-LOCATE SATELLITE           MENU
2-STOW ANTENNA
                                CST
<1-2>SELECT <MODE>MANUAL    14:37:23

```

In VSAT mode, the MENU screen only gives the operator two automatic functions that may be performed.

### LOCATE

Selecting <1> will put the RC3000 into LOCATE mode.

If the antenna system has an antenna mounted compass, the following screen will prompt the operator to confirm that the antenna's platform is in a safe location (not in a garage, not under power lines, etc.) for deployment of the antenna.

```

* ANTENNA MOVEMENT REQUIRED TO LOCATE *
* CONFIRM PLATFORM IN SAFE POSITION *
<ENTER>BEGIN MOVEMENT          <MODE>EXIT

```

After initiating antenna movement, the antenna will be deployed and the LOCATE mode entered.

```

POS:   39°01N  94°49W  180.1    LOCATE
SAT:GALAXY 7   91.0W           AZ:-31.1
                                EL: 40.0
                                READY TO LOCATE
                                PRESS <ENTER>

```

In VSAT mode, the LOCATE screen does not allow the operator to select a satellite. The selected satellite (and polarization) will be the last one chosen prior to entering VSAT mode.

When LOCATE is first entered, the mount's position will be automatically initialized with data from the GPS receiver and the Fluxgate compass. There may be a delay of several minutes while the GPS receiver generates a navigation solution. After the GPS generates lat/lon, the local magnetic variation is calculated and applied to the magnetic heading from the compass to form and estimate of the true heading of the mount.

The latitude, longitude and true heading will be displayed in the POS: field. The pointing solution will be displayed in AZ: and EL: and the messages "READY TO LOCATE" and "PRESS ENTER" will be flashed. When ENTER is selected (or the antenna deployment has previously been confirmed), the RC3000 will automatically begin positioning the antenna to locate the satellite. The previously selected polarization orientation (Horizontal or Vertical) will be automatically calculated.

The autopeak function will be performed according to how it was configured (signal source, lock condition, scan range, etc.) prior to entering VSAT mode. Descriptions of the various operations in the LOCATE sequence will be displayed as the operation progresses.

```

AZIM:   0.0 ( -6.1)           LOCATE
ELEV:  -61.7 ( 44.7)         SAT:GALAXY 7
POL:    0.0 ( 40.3)
MOVING TO (TARGETS) <STOP>HALT MOTION

```

Following the completion of the LOCATE function, the RC3000 will display the following screen:

```

!           LOCATE COMPLETE           !
!           CONFIRM RECEIVER STATUS    !
<MODE>MENU

```

The operator should confirm that the antenna has been placed on the correct satellite. For example, confirmation could be achieved by recognizing if the modem has generated a signal lock.

### STOW

By selecting <2> from MENU, the operator may initiate a STOW operation as described in 3.2.2.2. As with the LOCATE operation, the user will be asked to confirm that antenna movement is safe to initiate.

### MANUAL

By selecting <MODE> from the MENU, the RC3000 may be placed in MANUAL mode.

```

AZIM:  -6.1 ( -6.1)   SS1:695      MANUAL
ELEV:  44.6 ( 44.7)   SAT:galaxy 7
POL:   12.3           SPD:SLOW      CST
<0-9>JOG ANTENNA <MODE>MENU      14:25:47

```

In VSAT mode the manual jog speed will be initialized to SLOW to allow fine tuning of the azimuth, elevation and polarization axes if required.

### EXITING VSAT MODE

To bring the RC3000 out of VSAT mode, expert access permission must be restored to INSTALL or SUPER USER. Then the initial mode must be set to something other than VSAT in the SYSTEM DEFINITION configuration screen.

### 3.3 Programming Group

The programming group has two high-level modes (CONFIG-MENU and MAINTENANCE). Both of these modes serve as a menu system for sub-modes below them. Momentarily pressing the Mode key will switch between these modes in a similar fashion as the MANUAL and MENU modes switched in the operating group.

#### 3.3.1 Configuration Mode

The CONFIG mode allows users to view and/or modify various controller parameters and to enable or disable certain features. Many configuration items are used to customize the RC3000 to work with a particular installation.

The CONFIG mode groups configuration items into screens containing between 1 to 10 individual items. The top-level CONFIG-MENU allows the user to scroll through the list of configuration item groups. As the user scrolls through the CONFIG-MENU screens, a group title (line 1) and brief description (line 2) of group items is presented to identify the set of configuration items to view or modify.

The example CONFIG-MENU screen identifies the AZIMUTH CALIBRATION group. The description "AZ REFERENCE VOLTAGE/LIMITS/SCALE FACTOR" provides an overview of the type of configuration items that will be available for viewing and/or modification.

```
AZIMUTH CALIBRATION          CONFIG-MENU
AZ REFERENCE VOLTAGE/LIMITS/SCALE FACTOR

<SCR>THRU LIST <ENTER>SELECT <MODE>MAINT
```

To move through the CONFIG-MENU list press the Scroll Up/Yes key to advance to the next screen or press the Scroll Dn/No key to move to the previous screen. To select the currently identified group for viewing/modification press the Enter key and the screen showing the individual items in the group will appear. Momentarily pressing the Mode key will move from the CONFIG-MENU mode to the MAINTENANCE mode.

If the AZIMUTH CALIBRATION group were selected, the following screen would appear:

```
REF_V:2.50 OFF: 0.0          CONFIG-AZIM
  CCW:180   CW:180   SF:65.62

SET REFERENCE VOLTAGE <2.00 - 3.00>
```

In this example there are nine individual configuration items related to the azimuth axis. To move between the items use the Scroll Up and Scroll Dn keys. The cursor will flash at the beginning of the data field for the item currently selected. On line 4 a prompt briefly describing the item and showing the valid range of data will appear. Data may be entered for the item as described in section 3.1.4. Momentarily pressing the Mode key will return to the CONFIG-MENU mode.

The following table lists all the configuration item group titles and descriptions as they appear in the CONFIG-MENU mode. Details for each group are provided in the following subparagraphs. The table also shows which configuration item groups are available according to how the expert access permission (3.3.1.1.1) is set.

Additional configuration item screens may appear if they are unique to an optional feature (inclined orbit tracking, remote control, etc). Descriptions of those screens will be provided in their appropriate appendices.

GROUP TITLE	GROUP DESCRIPTION	PARA.
<b>NORMAL ACCESS ITEMS</b>		
EXPERT ACCESS PERMISSION	SETS EXPERT ACCESS PERMISSION	3.3.1.1.1
LOCATION PRESETS	LIST OF PRESET TRUCK LOCATIONS	3.3.1.1.2
SATELLITE PRESETS	LIST OF PRESET SATELLITES	3.3.1.1.3
<b>INSTALLATION ITEMS</b>		
SYSTEM DEFINITON	DEFINE SYSTEM OPTIONS	3.3.1.2.1
ELEVATION CALIBRATION	EL REFERENCE VOLTAGE/LIMITS/SCALE FACTOR	3.3.1.2.2
AZIMUTH CALIBRATION	AZ REFERENCE VOLTAGE/LIMITS/SCALE FACTOR	3.3.1.2.3
POLARIZATION CALIBRATION	POL REFERENCE VOLTAGE/LIMITS/SCALE FACTOR	3.3.1.2.4
SIG FACTORS	SIGNAL STRENGTH PARAMETERS	3.3.1.2.5
AUTOPEAK	SCAN/SEARCH PARAMETERS	3.3.1.2.6
<b>SUPER-USER ITEMS</b>		
RESET DEFAULTS	RESTORES PROGRAMMING TO FACTORY DEFAULTS	3.3.1.3.1
AZIMUTH POT DRIVE	AZIMUTH POT-BASED DRIVE PARAMETERS	3.3.1.3.2
AZIMUTH PULSE DRIVE	AZIMUTH PULSE-BASED DRIVE PARAMETERS	3.3.1.3.3
AZIMUTH DRIVE MONITORING	AZIM ANTI-REVERSE/JAM/RUNAWAY SENSING	3.3.1.3.4
ELEVATION POT DRIVE	ELEVATION POT-BASED DRIVE PARAMETERS	3.3.1.3.5
ELEVATION PULSE DRIVE	ELEVATION PULSE-BASED DRIVE PARAMETERS	3.3.1.3.6
ELEVATION DRIVE MONITORING	ELEV ANTI-REVERSE/JAM/RUNAWAY SENSING	3.3.1.3.7
POLARIZATION DRIVE	POLARIZATION DRIVE PARAMETERS	3.3.1.3.8
POL DRIVE MONITORING	POL ANTI-REVERSE/JAM/RUNAWAY SENSING	3.3.1.3.9
STOW & DEPLOY	AZ/EL/POL STOW & DEPLOY POSITIONS	3.3.1.3.10
SHAKE	SETUP SHAKE MOVES/CYCLES/DELAY	3.3.1.3.11

### 3.3.1.1 NORMAL ACCESS ITEMS

The three configuration groups contained in the “Normal” access items allow the user to change items that would typically be required to be changed following system configuration.

#### 3.3.1.1.1 Expert Access Permission

EXPERT ACCESS :	0	CONFIG-EXPERT
0-NORMAL/1-INSTALL/2-SUPER<5 DIGIT CODE>		

Expert Access Permission is used to control access to installation specific items. When the expert\_mode\_active\_flag is set to SUPER-USER level(2), the user has access to all controller modes and all CONFIG mode items. When the expert\_mode\_active\_flag is set to INSTALL level (1), the user has access to all controller modes and the most typically used CONFIG mode items. When the expert\_mode\_active\_flag is set to NORMAL level(0), the user is locked out of several modes and most CONFIG mode items. The purpose of this feature is to keep an operator away from the modes and CONFIG mode items which can change the contents of the controller's non-volatile memory.

When the Expert Access screen is displayed, the present state of the expert\_mode\_active\_flag is displayed in the data entry field. A display value of 2 indicates that the expert\_mode\_active\_flag is set to SUPER-USER level, a value of 1 indicates that the flag is set to INSTALL level and a value of 0 indicates that the flag is set to NORMAL level. To toggle the state of the flag, the user must key in a 5 digit code at the prompt followed by the ENTER key. This code is found in a removeable Appendix A at the end of this manual. If the information is lost, call the factory for assistance.



### 3.3.1.1.2 Preset Locations

This group allows the user to customize a list of 20 commonly used mount locations. This list may be used for selecting mount lat/lon in the POSITION mode.

```

LOC#: 1                                CONFIG-LOCS
NAME: RCI
LAT: 38°56N LON: 94°45W
<SCR> THRU LIST, <ENTER> TO MODIFY DATA

```

**LOC#:**                    **<SCR> THRU LIST, <ENTER> TO MODIFY DATA**

This field identifies the list number (1-20) that is currently being displayed. When in this field, using the Scroll Up or Scroll Dn keys will move through the list.

To modify the data press the Enter key. The cursor will move to the NAME field.

**NAME:**                    **ENTER <ALPHANUMERIC> LOC NAME**

This field allows a user to enter a name (up to 10 characters). See section 3.1.4 for instructions on how to enter alphanumeric data. After the name is entered, the cursor will move to the LAT field.

If you do not wish to change the current name, pressing the Scroll Up key will move to the LAT field. Scroll Dn will move back to the LOC# field.

**LAT:**                    **ENTER LAT IN <DD.MM> FORMAT**

This field allows a user to enter a location's latitude in degrees/minutes format. See section 3.1.4 for instructions on how to enter a latitude. After the latitude is entered, the cursor will move to the LON field.

If you do not wish to change the current latitude, pressing the Scroll Up key will move to the LON field. Scroll Dn will move back to the NAME field.

**LON:**                    **ENTER LON IN <DDD.MM> FORMAT**

This field allows a user to enter a location's longitude in degrees/minutes format. See section 3.1.4 for instructions on how to enter a longitude. After the longitude is entered, the cursor will move to the LOC# field.

If you do not wish to change the current longitude, pressing the Scroll Up key will move to the LOC# field. Scroll Dn will move back to the LAT field.

### 3.3.1.1.3 Preset Satellites

This group allows the user to customize a list of 20 commonly used satellites. The LOCATE mode allows the user to select a satellite (3.2.2.3.1) from this "preset" list.

```
SAT#: 3                                CONFIG-SATS
  NAME:BRASIL A1   LON: 79.0W   POFF:0.0
INCLIN: 2          BAND:0
<SCR> THRU LIST, <ENTER> TO SELECT
```

**SAT#:**                    **<SCR> THRU LIST, <ENTER> TO MODIFY DATA**

This field identifies the list number (1-20) that is currently being displayed. When in this field, using the Scroll Up or Scroll Dn keys will move through the list.

To modify the data press the Enter key. The cursor will move to the NAME field.

**NAME:**                    **ENTER <ALPHANUMERIC> SAT NAME**

This field allows a user to enter a name (up to 10 characters). See section 3.1.4 for instructions on how to enter alphanumeric data. After the name is entered, the cursor will move to the LON field.

If you do not wish to change the current name, pressing the Scroll Up key will move to the LON field. Scroll Dn will move back to the SAT# field.

**LON:**                    **ENTER LON IN <DDD.TT> FORMAT**

This field allows a user to enter a satellite's longitude in decimal format. See section 3.1.4 for instructions on how to enter satellite longitude. After the longitude is entered, the cursor will move to the INCLIN field.

If you do not wish to change the current longitude, pressing the Scroll Up key will move to the INCLIN field. Scroll Dn will move back to the NAME field.

**POFF:**                    **POL OFFSET <-90.0 - 90.0>**

This field describes if the satellite's polarization axis is oriented non-orthogonal to the earth's equatorial plane. The sign convention is that described in 1.3.7.

**INCLIN:**                    **INCLINATION<0-12 DEG.> 0=>NON-INCLINED**

This field allows the user to define whether or not the satellite is in inclined orbit and if so the number of degrees the orbit is inclined.

A number greater than zero implies that the satellite has an inclined orbit. A satellite identified as having an inclined orbit will enter TRACK mode following being STOREd. Entering an inclination of 0 implies that the satellite does not have an inclined orbit in which case the controller will not enter TRACK following STORE.

**BAND:**                    **BAND <0-C 1-Ku 2-CK 3-L 4-X 5-Ka 6-S>**

This field allows the user to specify the RF band associated with this satellite. This data is used by the tracking and autopeak algorithms to determine the effective bandwidth of the mount thus affecting size of movements made.

**NOTE: the preset list only contains data about a satellite. With respect to the RC3000 there is sometimes confusion between the preset list and the list of STOREd satellite data (3.2.2.4). STOREd data contains both satellite and mount (azimuth, elevation, polarization) position data.**

### 3.3.1.2 INSTALLATION ACCESS ITEMS

This set of configuration groups allows the user to modify parameters that are most typically changed for a particular installation.

#### 3.3.1.2.1 System Definition

```

GPS: 1                                CONFIG-SYSTEM
COMPASS: 1          SN:1234          WAVEGUIDE: 0
MODE: 2  ANT_SIZE: 120
<1>GPS PRESENT <0>NOT PRESENT

```

The CONFIG-SYSTEM screen allows the user to indicate the existence of optional equipment. Indicating that the item is not present will keep the controller from waiting for a valid response from the item in various modes. For example, if the GPS receiver is not present, the RC3000 will simply report “NO GPS PRESENT” vs. waiting for a period of time to decide that it is not receiving data from the GPS.

**GPS :**           <1>GPS PRESENT <0>NOT PRESENT

This item specifies whether or not the optional GPS receiver is present. If specified as not present (0), the “NO GPS PRESENT” message will be displayed in various RC3000 screens.

If the GPS option was not purchased, this field will always remain at 0.

**COMPASS:**   <0>NONE <1>TRUCK MOUNT <2>ANTENNA MOUNT

This item specifies whether or not the optional fluxgate compass is present and how the compass is mounted if it is present. If the compass is specified as “antenna mounted”, the RC3000 will require that the dish be moved to the DEPLOY position to obtain magnetic heading information.

If the compass option was not purchased, this field will always remain at 0.

**SN:**            **SERIAL NUMBER<1-9999> (0=NOT ENTERED)**

The serial number of the controller may be entered in this field for easy reference later. The value of this field does not affect of the controller's functions.

**MODE:**        **INITIAL MODE <1-LOCATE 2-MENU 3-MANUAL 4-VSAT 5-POS>**

This item specifies to which of the modes listed the RC3000 will go to upon power up.

Selections 1, 2, 3 or 5 will direct the RC3000 to go to LOCATE, MENU, MANUAL or POSITION mode upon power up. For example, if the controller does not have the GPS and compass options, the user may want to power on to the POSITION mode.

Selection 4 puts the controller in “VSAT” mode described in section 3.2.2.11. This section should be thoroughly reviewed prior to placing the controller into “VSAT” mode.

**ANT\_SIZE:**        **ANTENNA SIZE <1-9999 CM>**

This item specifies the size of the reflector in centimeters. For example, a 5.9 ft. diameter reflector (1.8 m.) would require a value of 180 (cm.) be specified.

The antenna\_size\_cm is used by inclined orbit tracking algorithms to characterize the antenna’s beamwidth thus affecting timing of various tracking movements. The value is also used by autopeak algorithms to determine the size of autopeak step movements.

**WAVEGUIDE:** **WAVEGUIDE SWITCH <1>PRESENT <0>NOT PRESENT**

This item specifies whether or not the optional waveguide switch control module is present.

### 3.3.1.2.2 Elevation Calibration

```
REF_V:1.69 OFF: 0.0          CONFIG-ELEV
DOWN: 0   UP: 90.0   SF:50.00
LOOK:1
SET REFERENCE VOLTAGE <0.50 - 4.50>
```

**REF\_V: SET REFERENCE VOLTAGE <0.50 - 4.50>**

The elev\_zero\_voltage defines the voltage present when the elevation axis is at its reference position . See the elevation zero voltage installation step.

**OFF: ELEVATION OFFSET <-25.0/+25.0 DEGREES>**

The elev\_squint\_factor configuration item corrects for discrepancies between the antenna's electrical and mechanical bore sight alignment. The squint factor also compensates for errors in the attachment of the elevation position sensor. The elevation squint factor is the difference between the antenna's theoretical and actual elevation pointing angle. The value for this constant is determined during the elevation alignment calibration procedure (2.4.2). The VALUE OF THIS CONSTANT MUST BE SET TO 0.0 BEFORE THE ELEVATION CALIBRATION OCCURS. The nominal value of this constant is 0.0.

**DOWN: SET DOWN LIMIT <0-90 DEGREES>**

**UP: SET UP LIMIT <0-90 DEGREES>**

The down\_elev\_limit and up\_elev\_limit configuration items specify the valid elevation operating range in degrees. If the LOCATE mode calculates a target elevation outside of this range, an elevation range error will be triggered.

The spiral search algorithm (when based on pot-based movements) also uses these values to limit the area that may be searched.

**SF: SCALE FACTOR <30.00 – 60.00 mV/deg>**

The elev\_scale\_factor\_mv\_deg configuration item specifies the observed output of the elevation inclinometer.

**EL\_LAT: ELEV LOOK CONFIGURATION <1>HIGH <0>LOW**

The elevation\_lat\_configuration item is used for mount types that have different feed boom configurations to achieve different elevation pointing angles. The reported elevation angle will be offset by different values according to whether the high or low elevation configuration is specified. Other elevation related items such as stow and deploy positions will also be affected. **NOTE: for mounts that have only one feed boom configuration, this configuration item may be set to either value with no consequence.**

If the mount is equipped with resolvers, two elevation resolver calibration items are included with the normal inclinometer calibration items.

REF_V:1.69	OFF: 0.0	CONFIG-ELEV
DOWN: 0	UP: 90.0	SF:50.00
LOOK:1	<b>RES: 0.0</b>	<b>REV:0</b>
SET REFERENCE VOLTAGE <0.50 - 3.50>		

**RES: ELEV RESOLVER OFFSET<+/-300.00 DEGREES>**

The elev\_resolver\_offset configuration item defines the offset to be applied to the angle read directly from the elevation resolver for the purpose of displaying elevation angle. Example: If when at the elevation reference (deploy) position the raw elevation resolver angle reads 180.0, a elev\_resolver\_offset of -157.7 will result in a resolver based elevation angle of 22.3.

NOTE: the resolver-based angle is displayed in MANUAL mode when the elevation DOWN limit is active.

**REV: ELEV RESOLVER<0-NORMAL 1-REVERSED>**

The elev\_resolver\_reversed configuration item defines whether the polarity of the elevation resolver matches that of the RC3000 resolver circuitry. If the raw elevation resolver angle decreases as the mount moves up, the elev\_resolver\_reversed item must be described as reversed.

### 3.3.1.2.3 Azimuth Calibration

```

REF_V:2.50  FG: 0.0          CONFIG-AZIM
CCW:180    CW:180          SF:65.62
                                DISP:1
SET REFERENCE VOLTAGE <2.00 - 3.00>

```

**REF\_V: SET REFERENCE VOLTAGE <1.00 - 4.00>**

The `azim_zero_voltage` defines the voltage present when the azimuth axis is in its center of motion. See the azimuth zero voltage installation section 2.3.3.

**CCW: SET CCW LIMIT <0 TO 360 DEGREES>**

**CW: SET CW LIMIT <0 TO 360 DEGREES>**

These items specify the antenna's azimuth range of travel relative to the antenna's center azimuth (0.0) position. These positions are used to trigger the display of the Reposition Truck message. When the RC3000 calculates an antenna pointing solution in LOCATE mode, it checks these values to see if the dish can be physically moved to that position. Thus the Reposition Truck message is displayed when the antenna is incapable of moving to the azimuth position required to intercept the desired satellite. These values are also used by autopeak algorithms to limit the area the autopeak movements will search.

Note that these values are not used to actually limit the motion of the antenna. The antenna's azimuth limits are set using potentiometers inside the controller (see 2.3.1.4 - Azimuth and Polarization Electrical Limits). The CW Range should be set to the azimuth position which is displayed when the antenna is at the CW limit. In a similar manner, the CCW Range should be set to the azimuth position which corresponds to the controller's azimuth counter-clockwise limit. Note that the values are entered as a positive value, the controller will adjust the sign of the entered quantity internally.

**FG: FLUXGATE OFFSET <-180.0/+180.0 DEGREES>**

The `azim_cal_offset` item specifies the number of degrees to offset the heading reading with respect to the heading of the centerline of the azimuth axis. The default value for this reading is 0. A value other than 0 may need to be entered to correct for some mechanical misalignment in the system (see Azimuth and Elevation Alignment 2.5.2).

This value will also need to be set if there is an intentional difference between the alignment of the compass and the centerline of azimuth movement.

**SF: SCALE FACTOR <1.00 – 90.00 deg/volt>**

This value specifies the azimuth scale factor applicable to the potentiometer-based azimuth feedback. NOTE: The default value for this item will typically be correct.

**DISP: INITIAL AZIM DISPLAY<1-ANT 3-MAG 4-TRUE>**

This value allows the user to select what format (antenna angle, magnetic heading or true heading) the azimuth position is initially displayed in the MANUAL and LOCATE modes. Traditionally, the antenna angle derived from the mount position sensor is the format displayed by the RC3000.

In addition to the normal azimuth calibration items, two azimuth resolver calibration items are included. No azimuth reference\_voltage or scale\_factor items are displayed since no azimuth potentiometer will be present.

```
          FG: 0.0          CONFIG-AZIM
CCW:180  CW:180
RES: 0.0 REV:0          DISP:1
SET REFERENCE VOLTAGE <2.00 - 3.00>
```

**RES: AZIM RESOLVER OFFSET<+/-300.00 DEGREES>**

The azim\_resolver\_offset configuration item defines the offset to be applied to the angle read directly from the azimuth resolver for the purpose of displaying azimuth angle. Example: If when at the azimuth stow position the raw azimuth resolver angle reads 181.3, a azim\_resolver\_offset of -181.3 will result in a resolver based azimuth angle of 0.0.

**REV: ELEV RESOLVER<0-NORMAL 1-REVERSED>**

The elev\_resolver\_reversed configuration item defines whether the polarity of the elevation resolver matches that of the RC3000 resolver circuitry. If the raw elevation resolver angle decreases as the mount moves up, the elev\_resolver\_reversed item must be described as reversed.

### 3.3.1.2.4 Polarization Calibration

```
REF_V:2.50 OFF: 0.0 CONFIG-POL
CCW: 90.0 CW: 90.0 SF:41.67
TYPE:2 REF:1 H: -45.0 V: 45.0 AUTO: 1
SET REFERENCE VOLTAGE <2.00 - 3.00>
```

**REF\_V: SET REFERENCE VOLTAGE <2.00 - 3.00>**

The pol\_zero\_voltage defines the voltage present when the polarization axis is in its center of motion. See the zero voltage installation section 2.3.4.

**OFF: POL OFFSET <-90.0/+90.0 DEGREES>**

The pol\_offset item corrects for discrepancies between the polarization axis' electrical and mechanical alignment.

**TYPE: <1>CIRCULAR <2>SINGLE <3>DUAL**

The polarization\_type configuration item specifies the configuration of the feed drive. This item will be used by the controller to determine the appropriate automatic movement of the polarization axis.

Circular type specifies that no movement will be needed to align the polarization axis.

Single type specifies that the installation has a feed in just one orientation and therefore separate movements must be made to achieve horizontal and vertical polarization positions.

Dual type specifies that separate feeds exist 90 degrees apart. For this configuration just one movement to achieve both horizontal and vertical positions is required. If this is not the case the system should be described as a single feed type so that separate movements will be made.

**SF: SCALE FACTOR <1.00 -180.00 deg/volt>**

This value specifies the scale factor applicable to the potentiometer-based polarization feedback. NOTE: The default value for this item will typically be correct.

**HOR: DEFAULT HORIZONTAL POS.<-180/+180 DEG.>**

**VER: DEFAULT VERTICAL POS.<-180/+180 DEG.>**

The default\_hpol\_cnt and default\_vpol\_cnt configuration items allows the user to specify default values for horizontal and vertical polarization. Note that when a satellite is "stored" unique values for H and V may be stored.

**CW: POL CW LIMIT<0.0 - 179.9 DEGREES>**

**CCW: POL CCW LIMIT<0.0 - 179.9 DEGREES>**

The cw\_pol\_limit and ccw\_pol\_limit configuration items specify the range of polarization axis movement. Both values are entered as positive values but the controller assigns the correct sign internally.

The values are used to check validity of stored satellite data and for calculating horizontal and vertical polarization positions. Actual polarization limits are set by potentiometers as described in the installation section.

**AUTO: LOCATE AUTOMOVE <0>DISABLE <1>ENABLE**

This item lets the user specify whether or not the LOCATE mode should attempt to automatically orient the polarization axis

**REF: <0>HORIZONTAL <1>VERTICAL**

The orientation achieved by placing the polarization axis in the reference position.



### 3.3.1.2.5 Signal Strength Factors

This screen defines how signal strength inputs are used. See sections 2.2.5 and 2.4.3 for references to the use of signal strength inputs.

```
RF LOCK:0 TIME:0.1          CONFIG-SIG
SS1 LOCK:0 TIME:0.1 TH:100 POL:0
SS2 LOCK:0 TIME:0.1 TH:100 POL:0
<0>NEGATIVE <1>POSITIVE AGC INPUT SENSE
```

**RF LOCK:**                   **<0>NONE 1-1HI 2-1LO 3-2HI 4-2LO>**

When the autopeak source is the RF input, this item defines whether a discrete signal lock input is required to indicate a satellite has been found. The signal lock input may help in distinguishing the correct satellite while doing a LOCATE.

If a signal lock input is used, it may be defined as either having a HI (>3.5 VDC) or LO (< 0.8 VDC) level that indicates lock.

**SS1 LOCK:**                   **LOCK TYPE <0>NONE <1>HI <2>LO**  
**SS2 LOCK:**                   **LOCK TYPE <0>NONE <1>HI <2>LO**

When the autopeak source is the SS1 or SS2 input, these items define whether a discrete signal lock input is required to indicate a satellite has been found. The signal lock input may help in distinguishing the correct satellite while doing a LOCATE.

If a signal lock input is used, it may be defined as either having a HI (>3.5 VDC) or LO (< 0.8 VDC) level that indicates lock.

**RF TIME:**                   **RF DELAY TIME <0.1 – 9.9> SECONDS**  
**SS1 TIME:**                   **SS1 DELAY TIME <0.1 – 9.9> SECONDS**  
**SS2 TIME:**                   **SS1 DELAY TIME <0.1 – 9.9> SECONDS**

These items define how long the RC3000 will wait after each step before sampling signal strength. Increasing this value may be required to allow equipment such as a modem to generate an AGC output.

NOTE: if a RF\_LOCK value of 0 (no signal lock conditioning) is selected, the RF\_TIME item is ignored and a smooth (non-stepping) scan will be implemented.

**SS1 POL:**                   **<0>NEGATIVE <1>POSITIVE INPUT SENSE**  
**SS2 POL:**                   **<0>NEGATIVE <1>POSITIVE INPUT SENSE**

The SS1/SS2 polarity flags tell the controller what the sense is on the signal strength input voltage used for tracking and autopeak operations. A positive sense is defined as one that increases in magnitude as the RF signal strength increases. If the signal strength voltage decreases as the RF signal increases, its polarity is considered negative.

**SS1 TH:**                   **SS1 MINIMUM SIGNAL THRESHOLD <0-999>**  
**SS2 TH:**                   **SS2 MINIMUM SIGNAL THRESHOLD <0-999>**

These threshold items define what the minimum signal strength indication for each channel is required for the tracking system to “recognize” that a satellite is present. **NOTE: these items are only applicable to TRACK mode.**

If different bands are received that exhibit different “off satellite” signal strengths, the highest “off satellite” value should be used to avoid the possibility of recognizing noise as a satellite.

### 3.3.1.2.6 Autopeak

This screen defines how the autopeak functions of the LOCATE mode are configured.

```

ON:1   SRCH_AZ: 3           CONFIG-AUTOPEAK
SIG:1   SRCH_EL: 3         SCAN_RG: 2
BAND:1   SRCH_TH:200       SCAN_TH:200   TILT:0
AUTOPEAK <0>DISABLED <1>ENABLED <2>+PEAK

```

**ON:**                   **AUTOPEAK <0>DISABLED <1>ENABLED <2>+PEAK**

The `autopeak_enabled` item defines if autopeak (SCAN or SEARCH) movements are to be performed as part of the LOCATE movement.

If disabled (selection 0), the LOCATE procedure will move to the nominal target position without attempting an autopeak procedure.

If enabled (selection 1), the Azimuth Scanning (3.2.2.3.3) or Spiral Search (3.2.2.3.4) Autopeak movement will be attempted.

If selection 2 (+PEAK) is chosen, the terminal peakup movement described in 3.2.2.3.5 will also be enabled. **NOTE: Verify that the required conditions for terminal peakup (3.2.2.3.5) are present before selecting this option.**

**SIG:**                   **SIGNAL SOURCE <1>RF <2>SS1 <3>SS2**

The `autopeak_signal_source` item defines which of the three signal source channels will be used to recognize if a satellite is present.

**BAND:**                   **BAND <0-C 1-Ku 2-CK 3-L 4-X 5-Ka 6-S>**

The `autopeak_band` item defines what RF band the receiving equipment is set for during an autopeak. The band used will affect the size of steps used for autopeak movements.

**SRCH\_AZ:**               **SPIRAL SEARCH AZIM LIMIT <1-15 DEGREES>**  
**SRCH\_EL:**               **SPIRAL SEARCH ELEV LIMIT <1-15 DEGREES>**

The `search_azim/elev_limit` items define the area that the spiral search pattern is allowed to search to recognize a satellite. If a satellite is not recognized after searching the area defined by these limits, the spiral search will return to the nominal target position. The larger the limits, the longer time a search might take. If the limits are too small to account for azimuth target inaccuracy due to heading error or to account for the amount of elevation movement an inclined orbit satellite may exhibit, the spiral search may quit before moving over the satellite.

**SRCH\_TH:**               **SPIRAL SEARCH THRESHOLD <0-999>**

This threshold item defines what the minimum signal strength indication is required for the search procedure to recognize that a satellite is present.

**SCAN\_RG:**               **SCAN RANGE <1-15 DEGREES>**

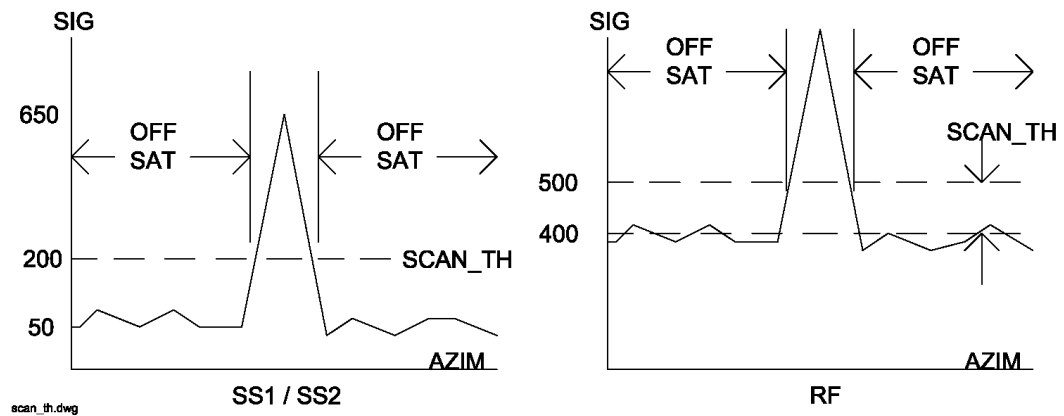
The `scan_range` item defines how many degrees to either side of the nominal azimuth target the scan autopeak operation will search.

**TILT:**                   **POL TILT COMPENSATION <0>OFF <1>ON**

This item specifies if additional movements are to be made during the LOCATE function in order to characterize the pitch and roll of the platform. Refer to section 3.2.2.3.6 for discussion of this feature.

**SCAN\_TH: SCAN THRESHOLD <0-999>**

This threshold item defines what the minimum signal strength indication is required for the scan



procedure to recognize that a satellite is present.

The definition of this value is different depending on whether the L-Band power detector (RF) or one of the two signal strength (SS1 or SS2) channels is used for the autopeak signal source.

When using SS1 or SS2 as the autopeak signal source, the threshold value refers to the absolute value above which the scan procedure should recognize that a satellite is present. Per the signal strength adjustment calibration procedure (2.4.3.2), SS1 or SS2 channels should be tuned such that a value of approximately 50 is displayed when the antenna is completely off of a satellite (open sky) and a value of approximately 650 is displayed when the antenna is peaked up on a satellite. When using SS1 or SS2, a threshold value of 200 would typically be appropriate.

When using the RF (L-Band power) as the autopeak signal source, the threshold value refers to the amount of displayed value above the average noise floor reading that indicates the antenna is passing across a satellite. Note that the RF input is a logarithmic indication of total power across the L-Band (950-2150 MHz) range. Typically a value of 400 will be displayed when looking at the open sky. Also typically a value of 700 may be displayed when the antenna is looking at satellite with multiple transponders active. These values will vary according to the amount of attenuation in the system, satellite power, etc. When using RF, a threshold value of 100 would typically be appropriate.

When using either type of input as the autopeak signal source, the characteristics of the displayed value should be observed as the scan procedure moves across a satellite. If the threshold value is too low, the scan procedure may incorrectly recognize a random spike in the noise floor as an indication of a satellite. Conversely, if the threshold value is too high, the scan procedure may not recognize the presence of a satellite.

### 3.3.1.3 Super-User Access Items

This set of configuration groups allows the user to modify parameters that are not typically changed for a particular installation. Usually these items address parameters that have been previously characterized for a particular mount. The need to access these items would typically only occur if a unique customization of the system was required.

#### 3.3.1.3.1 Reset Defaults

```
RESET CODE :      0      CONFIG-DEFAULTS
0-NORMAL/1-INSTALL/2-SUPER<5 DIGIT CODE>
```

The CONFIG-DEFAULTS screen is used to reset the controller's non-volatile memory. When this occurs, the various CONFIG mode items are initialized to a default value. This operation is usually performed at the factory. Access to this item is allowed only when the *Expert Access* flag is set. To reset the system memory, the user must key in the same 5 digit code used for Expert Access, followed by the ENTER key.

Sections 3.3.1.1, 3.3.1.2 and 3.3.1.3 explain the items covered by the three levels of access: normal, installation and super-user.

NOTE: the two expert access codes are contained in appendix A. This appendix may have been removed by a system manager to limit use of the codes.

Besides restoring configuration items to their factory default values, stored satellite data including inclined orbit tracking tables will be cleared.

Appendix B provides tables of factory defaults for each mount type supported. It is strongly suggested that the appropriate table be used to record installation specific data should this data somehow become corrupted in the controller.

### 3.3.1.3.2 Azimuth Pot Drive

The CONFIG-AZ POT screen contains configuration items for calibrating large automatic azimuth movements based on angle (potentiometer or resolver-based) position feedback. See the Drive System theory section 1.3.7.

CONFIG-AZ POT	
FAST/SLOW: 0.5	COAST: 0.0
MAX ERROR: 0.01	TRIES: 3
SET ZERO VOLTAGE <2.00 - 3.00>	

**FAST/SLOW: SET THRESHOLD <0.0-10.0 DEGREES>**

During an automatic move, the `azim_fast_slow_threshold` configuration item is used to set the number of degrees before a target position is reached, when the controller switches the speed of the drive from fast to slow.

**MAX ERROR: SET MAXIMUM ERROR <0.01 - 1.00 DEGREES>**

The `azim_max_position_error` configuration item sets the maximum acceptable error between the final resting position and a target position during an automatic move.

**COAST: SET COAST RANGE <0.0 - 2.0 DEGREES>**

During an automatic move, the `azim_coast_threshold` configuration item sets the number of degrees before the target position is reached where the drive will be deactivated. The idea is to deactivate the drive and let the antenna coast into position. If prior to the initiation of the move operation, the total number of degrees that the actuator has to move to reach the target position is less than the '*Coast Threshold*', the drive will be deactivated when its position is within '*Max Position Error*' of the target position.

**TRIES: SET MAX NUMBER OF TRIES <0-10>**

The `azim_auto_move_max_retry_cnt` configuration item sets the maximum number of attempts which will be made to hit a target position (within **Max Error** - described above) during an automatic move based on angle feedback.

### 3.3.1.3.3 Azimuth Pulse Drive

The CONFIG-AZ PULSE screen contains items for configuring automatic movements based on sensor count (resolver or pulse) azimuth position feedback.

SCALE:2406	CONFIG_AZ PULSE
CW:49451	FAST/SLOW: 50 COAST: 5
CCW:16085	MAX ERROR: 3 TRIES: 3
AZIM SCALE FACTOR<1-32767 PULSES/RADIAN>	

#### SCALE: AZIM SCALE FACTOR <1-32767 PULSES/RADIAN >

The antenna\_azim\_constant configuration item specifies the approximate number of pulses measured per radian of azimuth travel. See installation section 2.4.4 for calculation of the azimuth pulse scale factor.

The antenna\_azim\_constant is used by inclined orbit tracking and autopeak algorithms for determining movement amount (in pulses).

**CW:** AZIM CW PULSE LIMIT <0 - 65535>  
**CCW:** AZIM CCW PULSE LIMIT <0 - 32768>

The cw\_azim\_pulse\_limit and ccw\_azim\_pulse\_limit configuration items specify the range of azimuth motion measured in pulses. These items are used by the tracking and autopeak algorithms to place bounds on the area searched. These values are also used to determine the validity of stored satellite data.

#### FAST/SLOW: SET THRESHOLD <0 - 999 PULSES>

During an automatic move, the azim\_fast\_slow\_pulse\_threshold configuration item is used to set the number of pulses before a target position is reached, when the controller switches the speed of the drive from fast to slow.

#### MAX ERROR: SET MAXIMUM ERROR <0 - 10 PULSES>

The azim\_max\_position\_pulse\_error configuration item sets the maximum acceptable error between the final resting position and a target position during an automatic move.

#### COAST: SET COAST RANGE <0 - 999 PULSES>

During an automatic move, the azim\_coast\_pulse\_threshold configuration item sets the number of pulses before the target position is reached where the drive will be deactivated. The idea is to deactivate the drive and let the antenna coast into position. If prior to the initiation of the move operation, the total number of degrees that the actuator has to move to reach the target position is less than the 'Coast Threshold', the drive will be deactivated when its position is within 'Max Error' of the target position.

#### TRIES: SET MAX NUMBER OF TRIES <0-10>

The azim\_auto\_move\_max\_retry\_pulse\_cnt configuration item sets the maximum number of attempts which will be made to hit a target position (within **Max Error** - described above) during an automatic move based on potentiometer feedback.

### 3.3.1.3.4 Azimuth Drive Monitoring

The items on this screen deal with the background checking performed on the azimuth drive system. Note that in this context "slop" may be typically considered relating to mechanical hysteresis.

```

                                CONFIG-AZ MON
JAM SLOP:      1      FAST DEADBAND: 1000
RUN SLOP:     50      SLOW DEADBAND:  500
SET JAM SLOP <0 - 1023>

```

#### **JAM SLOP:                    SET JAM SLOP <0 - 1023>**

The `azim_jam_pot_slop` item specifies the amount of sensed movement the controller wants to see before declaring a jam condition. See the Drive System theory section.

The entered value is in units of the resolution the RC3000's analog to digital conversion system. This resolution will depend on a particular mount's range of movement, etc. See appendix B for details for a particular mount.

The value should be set to avoid nuisance jams but allow a jam to be declared within a reasonable amount of time to avoid damage to the system. Too high of a value will trigger false jam conditions since the mount may sometimes not be able to move that far in the required interval. Too low of a value may allow mechanical slop in the system to appear as valid movement thus never triggering a jam.

Setting the value to 0 will disable the jam sensing since no movement will be required to be sensed to make the jam system think the mount has moved when it should. This may be a useful thing to do in emergency situations to alleviate unwanted jam declarations but should only be done temporarily vs. having an active jam sensing system.

#### **RUN SLOP:                    SET RUNAWAY SLOP <0-1023>**

The `azim_runaway_pot_slop` item specifies the amount of movement that may be sensed before a runaway condition is declared when the antenna is not supposed to be moving.

The entered value is in units of the resolution the RC3000's analog to digital conversion system. This resolution will depend on a particular mount's range of movement, etc. See appendix B for details for a particular mount. If the installation has pulse-based sensing this value will indicate the number of pulses the system may see before declaring a runaway.

If the entered value is too low, normal noise from the potentiometer or slight movement due to wind may trigger a runaway. If the value is too high, it may take a long time to generate a runaway. To essentially disable runaway sensing, set the value to 1023.

#### **FAST DEADBAND:                SET FAST DEADBAND <0 - 9999 MSEC>** **SLOW DEADBAND:              SET SLOW DEADBAND <0 - 9999 MSEC>**

The `azim_fast_deadband_msec` and `azim_slow_deadband_msec` items are used for the anti-reversal system. To understand the purpose of these parameters, it is necessary to consider how position counts are accumulated. The feedback from the azimuth and elevation position sensors is pulses. When a pulse is received, the controller checks to see which way the antenna was last commanded to move. If the antenna is moving, or last moved, east (down), the azimuth (elevation) position count is decremented. If the antenna is moving, or last moved, west (up) the azimuth (elevation) position count is incremented.

In MANUAL mode, the user can jog the antenna. If the UP arrow key is depressed, the antenna will move up. If the user suddenly depresses the DOWN arrow key and the antenna drive signals were instantaneously reversed, the antenna continues to move up for some small period of time, then the antenna reverses direction and starts to move down. This can cause position count errors. When the antenna drive signals are configured for down movement but the antenna is still moving up, pulses which

are received would cause the elevation position count to decrement when the count should really be incremented because the antenna is really still moving up.

The anti-reversal system keeps the antenna from rapidly changing direction. If the antenna has been moving in a given direction, the *'Deadband* CONFIG mode items specify the amount of time that the system will wait before asserting the antenna drive lines to move the antenna in the opposite direction. There are 2 different *'Deadband* values specified - there are unique fast and slow speed values. If the antenna has been moving fast, the *'Fast Deadband* parameters specify the wait interval; if the antenna has been moving slow, the *'Slow Deadband* parameters specify the wait interval. Both *'Deadband* values are given in milliseconds.



### 3.3.1.3.5 Elevation Pot Drive

```
                                CONFIG-EL POT
FAST/SLOW:  0.5      COAST: 0.3
MAX ERROR:  0.01    TRIES:  3
SET THRESHOLD <0.0-10.0 DEGREES>
```

The CONFIG\_EL POT screen contains configuration items for calibrating elevation movements based on potentiometer position feedback. See the Drive System theory section 1.3.7.

**FAST/SLOW:                    SET THRESHOLD <0.0-10.0 DEGREES>**

During an automatic move, the elev\_fast\_slow\_threshold configuration item is used to set the number of degrees before a target position is reached, when the controller switches the speed of the drive from fast to slow.

**MAX ERROR:                    SET MAXIMUM ERROR <0.01 - 1.00 DEGREES>**

The elev\_max\_position\_error configuration item sets the maximum acceptable error between the final resting position and a target position during an automatic move.

**COAST:                         SET COAST RANGE <0.0 - 2.0 DEGREES>**

During an automatic move, the elev\_coast\_threshold configuration item sets the number of degrees before the target position is reached where the drive will be deactivated. The idea is to deactivate the drive and let the antenna coast into position. If prior to the initiation of the move operation, the total number of degrees that the actuator has to move to reach the target position is less than the 'Coast Threshold', the drive will be deactivated when its position is within 'Max Position Error' of the target position.

**RETRY:                         SET MAX NUMBER OF TRIES <0-10>**

The elev\_auto\_move\_max\_retry\_cnt configuration item sets the maximum number of attempts which will be made to hit a target position (within **Max Error** - described above) during an automatic move based on potentiometer feedback.

### 3.3.1.3.6 Elevation Pulse Drive

```

SCALE:2406          CONFIG_EL PULSE
  CW:49451  FAST/SLOW: 50  COAST: 5
  CCW:16085  MAX ERROR: 3  RETRY: 3
ELEV SCALE FACTOR<1-32767 PULSES/RADIAN>

```

**SCALE:**                    **ELEV SCALE FACTOR<1-32767 PULSES/RADIAN >**

The antenna\_elev\_constant configuration item specifies the approximate number of pulses measured per radian of elevation travel. See the installation section for calculation of the elevation pulse scale factor.

The antenna\_elev\_constant is used by inclined orbit tracking and autopeak algorithms for determining amount movement (in pulses).

**UP:**                    **ELEV UP PULSE LIMIT <100 - 65535>**  
**DOWN:**                **ELEV DOWN PULSE LIMIT <100 - 65535>**

The ip\_elev\_pulse\_limit and down\_elev\_pulse\_limit configuration items specify the range of elevation motion measured in pulses. These items are used by the tracking and autopeak algorithms to place bounds on the area searched. These values are also used to determine the validity of stored satellite data.

**FAST/SLOW:**            **SET THRESHOLD <0 - 999 PULSES>**

During an automatic move, the elev\_fast\_slow\_pulse\_threshold configuration item is used to set the number of pulses before a target position is reached, when the controller switches the speed of the drive from fast to slow.

**MAX ERROR:**            **SET MAXIMUM ERROR <0 - 10 PULSES>**

The elev\_max\_position\_pulse\_error configuration item sets the maximum acceptable error between the final resting position and a target position during an automatic move.

**COAST:**                    **SET COAST RANGE <0 - 999 PULSES>**

During an automatic move, the elev\_coast\_pulse\_threshold configuration item sets the number of pulses before the target position is reached where the drive will be deactivated. The idea is to deactivate the drive and let the antenna coast into position. If prior to the initiation of the move operation, the total number of degrees that the actuator has to move to reach the target position is less than the 'Coast Threshold', the drive will be deactivated when its position is within 'Max Error' of the target position.

**TRIES:**                    **SET MAX NUMBER OF TRIES <0-10>**

The elev\_auto\_move\_max\_retry\_pulse\_cnt configuration item sets the maximum number of attempts which will be made to hit a target position (within **Max Error** - described above) during an automatic move based on potentiometer feedback.

### 3.3.1.3.7 Elevation Drive Monitoring

This group performs the same functions for the elevation axis as described in 3.3.1.8 (Azimuth Drive Monitoring)

### 3.3.1.3.8 Polarization Drive

The CONFIG-POL DRV screen contains configuration items for calibrating polarization movements based on potentiometer position feedback. See the Drive System theory section 1.3.7.

```

                                CONFIG-POL DRV
FAST/SLOW:  2.0          COAST:  0.3
MAX ERROR:  0.10       TRIES:   3
SET THRESHOLD <0.0-10.0 DEGREES>

```

#### **FAST/SLOW:           SET THRESHOLD <0.0-10.0 DEGREES>**

During an automatic move, the `pol_fast_slow_threshold` configuration item is used to set the number of degrees before a target position is reached, when the controller switches the speed of the drive from fast to slow.

#### **MAX ERROR:           SET MAXIMUM ERROR <0.01 - 1.00 DEGREES>**

The `pol_max_position_error` configuration item sets the maximum acceptable error between the final resting position and a target position during an automatic move.

#### **COAST:                SET COAST RANGE <0.0 - 2.0 DEGREES>**

During an automatic move, the `pol_coast_threshold` configuration item sets the number of degrees before the target position is reached where the drive will be deactivated. The idea is to deactivate the drive and let the antenna coast into position. If prior to the initiation of the move operation, the total number of degrees that the actuator has to move to reach the target position is less than the '*Coast Threshold*', the drive will be deactivated when its position is within '*Max Position Error*' of the target position.

#### **RETRY:                SET MAX NUMBER OF TRIES <0-10>**

The `pol_auto_move_max_retry_cnt` configuration item sets the maximum number of attempts which will be made to hit a target position (within **Max Error** - described above) during an automatic move based on potentiometer feedback.

### 3.3.1.3.9 Pol Drive Monitoring

This group performs the same functions for the polarization axis as described in 3.3.1.8 (Azimuth Drive Monitoring)

### 3.3.1.3.10 Stow & Deploy Positions

The STOW & DEPLOY group allows the user to change the target positions for STOW and DEPLOY movements.

```
AZ_STW:  0.0  AZ_DEP:  0.0  CONFIG-STOW
EL_STW: -67.5  EL_DEP:  22.3  EL_TIME:  0
PL_STW:  0.0  PL_DEP:  0.0  PL_ENABLE: 0
AZIMUTH STOW <-180.0/180.0>
```

**AZ\_STW:**           **AZIMUTH STOW <-180.0/180.0>**  
**EL\_STW:**           **ELEVATION STOW <-90.0/90.0>**  
**PL\_STW:**           **POL STOW <-180.0/180.0>**

These items define the STOW position.

**AZ\_DEP:**           **AZIMUTH DEPLOY<-180.0/180.0>**  
**EL\_DEP:**           **ELEVATION DEPLOY <-90.0/90.0>**  
**PL\_DEP:**           **POL DEPLOY <-180.0/180.0>**

These items define the DEPLOY position.

**PL\_ENABLE:**       **POL MOVE <0-NONE 1-STOW 2-DEPLOY 3-BOTH>**

This item defines whether or not the polarization axis is moved during a STOW and/or DEPLOY.

- 0 – the polarization axis will not be moved as part of either STOW or DEPLOY
- 1 – polarization will move to the PL STW position as part of STOW (no DEPLOY movement)
- 2 – polarization will move to the PL DEP position as part of DEPLOY (no STOW movement)
- 3 – polarization will move during both STOW and DEPLOY

NOTE: the default value is to have polarization move during DEPLOY to be consistent with earlier versions of the software. Default STOW movement is per mount.

**EL\_TIME:**           **ELEV STOW TIMER<0-DISABLE, 1-99 SECONDS>**

On certain mounts there needs to be a delay between the time that the elevation stow limit is sensed and when the elevation motor is deenergized. For mounts where this is not the case, this item is ignored.

### 3.3.1.3.11 SHAKE

```
AZ 1: -40.0 2: 50.0 3: 0.0 CONF-SHAKE  
EL 1: 30.0 2: 40.0 3: -67.5 CYCLE: 100  
PL 1: -10.0 2: 10.0 3: 0.0 DELAY: 15  
MOVE 1 AZIM <-180.0/180.0>
```

**AZ #:**                   **MOVE # AZIM <-180.0/180.0>**

The AZ field allows the user to specify the azimuth target for moves 1, 2 or 3.

**EL #:**                   **MOVE # ELEV <-90.0/90.0>**

The EL field allows the user to specify the elevation target for moves 1, 2 or 3.

**PL #:**                   **MOVE # POL <-180.0/180.0>**

The PL field allows the user to specify the polarization target for moves 1, 2 or 3.

**CYCLE:**               **NUMBER OF SHAKE CYCLES <1-9999>**

The CYCLE field allows the user to specify the total number of movement cycles the SHAKE function will perform.

**DELAY:**               **DELAY <0-999 SECONDS>**

The DELAY field allows the user to specify the amount of time (in seconds) that the SHAKE function will wait between "moves". Specifying a value of 0 will cause no delay between "moves".

### 3.3.2 Maintenance Items

1-VOLTS	2-DRIVE	3-TIME	4-SIG MAINT
5-LIMITS	6-GPS COM	7-FG COM	8-MOVETO
9-FG CAL	0-SHAKE		. -CI RECORD
			Z1-GTRv1.55

This screen provides a menu system for selecting the various maintenance screens described in the following paragraphs. Pressing the Mode key from this screen will return the controller to the CONFIG-MENU screen. The software options and version are displayed in the lower right corner.

Note that if expert access is not enabled, selections 9 (fluxgate calibration) and 0 (shake) are not made available.

### 3.3.2.1 Analog to Digital Voltage

The AD VOLTAGES maintenance screen shows the current voltage levels sensed at the microcontroller's 4 analog to digital inputs. The voltage will be displayed in the 0.001 to 5.000 range. If the microcontroller sees less than 0.001, it will display "UNDER".

Note that all of the analog to digital channels have some associated scaling and conditioning circuitry in the RC3000. Therefore the voltages seen at this screen will not be exactly the same as the input voltages external to the RC3000.

AZ: 1.114	AD VOLTAGES
EL: 1.143 1	L1:1
POL: UNDER	L2:0
SIG: 3.756 (1)	<1>RF <2>SS1 <3>SS2 <4>AUX

#### AZ: / EL: / POL:

The first three A/D channels are dedicated to the azimuth, elevation and polarization position sensing inputs.

Next to the elevation voltage is displayed a 0 or 1. 0 means the elevation sensor circuit is currently operating in the "low" region while 1 indicates it is operating in the "high" region.

#### SIG:

The fourth channel (signal strength) is multiplexed between four sources (autopeak RF, signal strengths 1 and 2 and an auxiliary input). Pressing keys 1-4 allow selecting of one of the signal source inputs for display.

On first generation controllers, the signal source # 4 is tied to ground and should indicate a value close to 0.000 (maybe UNDER). On second generation controllers, this input may be used for other signals (see your appendix B).

#### L1: / L2:

These fields show the status of the signal lock 1 and 2 inputs. A logic high signal is indicated by a "1".

#### RESOLVER DATA

If a particular mount implements resolver sensors, this screen will also shows "raw resolver" angles and counts.

AZ: 1.114	181.30	33004	AD VOLTAGES
EL: 1.143 1	122.30	22264	22.3 L1:1
POL: 2.237	181.30	33044	L2:0
SIG: 3.756 (1)	<1>RF	<2>SS1	<3>SS2 <4>GND

The azimuth, elevation and polarization resolver angles and counts displayed are read directly from the resolvers without being biased by offset terms. The displayed values will though reflect if the azimuth, elevation or polarization resolver polarity has been reversed.

As an aid in calibrating the elevation resolver, the angle resulting from applying offset a reverse factors is also displayed on the EL: line.

### 3.3.2.2 Drive Error Resets

1-AZIM: JAMMED	DRIVE RESET
2-ELEV: RUNAWAY	4-RESET PULSE COUNT
3- POL: OK	(AZ/EL AT STOW)
RESET <1-3>AXIS	<4>PULSES <MODE>EXIT

The DRIVE RESET maintenance screen provides the way to reset drive system errors (JAMMED / RUNAWAY / DRIVE) for each axis. See the drive system theory section (1.3.7) for description of these conditions. An axis' drive status may be reset by pressing the corresponding key.

These screen also provides for resetting the azimuth and elevation pulse counts to their reset state of 32768 (middle of azimuth range) and 100 (bottom of elevation range).

### 3.3.2.3 Time Maintenance

The Time Maintenance screen allows the user to set the system and reference (see section 1.3.11) time.

Note that all dates are displayed and entered in day/month/year (DD/MM/YY) format. All times are displayed and entered in hour/minute/second (HH:MM:SS) format. Refer to section 3.1.4 for instructions on entering date and time.

SYSTEM:11/10/97 22:26:40	TIME
GPS UTC:*GPS OFFLINE*	ZONE:CST
DISPLAY:11/10/97 16:26:40	OFFSET:- 6
1-DATE 2-TIME 3-SYNCH 4-ZONE 5-OFFSET	

#### SYSTEM:DD/MM/YY HH:MM:SS

Current date and time as maintained by the RC3000's real-time clock.

#### GPS UTC:

Universal Coordinated Time (UTC) from the GPS if valid time data is being received. If valid time data is not being received, a GPS status message is displayed:

\*GPS OFFLINE\* - no serial data from GPS is being received

\*WAITING FOR GPS\* - serial data is being received from GPS but data indicates an accurate time solution cannot be guaranteed

\*NO GPS PRESENT\* - The GPS present configuration item has been set to indicate that a GPS receiver is not installed.

#### DISPLAY:

Current "reference" time that will be displayed in several screens (MANUAL, MENU). This time is offset from the system time by the OFFSET number of hours described later.

#### ZONE:

A three character alphanumeric timezone string the user may customize for displaying during the MANUAL and MENU modes. This string may be changed by selecting action 4 (ZONE).

#### OFFSET:

The number of hours the displayed reference time is offset from system time.





### 3.3.2.4 Signal Strength Offset Calculator

The signal strength offset calculator determines parameters needed to perform the signal strength channel calibration (2.3.5.2) procedure. The user enters observed voltages from receiving equipment and the required offset for both of the RC3000's signal strength channels is calculated.

```
POLARITY:NEG  SIG_OFFSET
ON_SAT: -3.223  SS1_OFF: -0.0655
OFF_SAT:  7.651  SS2_OFF: -0.5447 *
NOTE POLARITY & OFFSETS      <MODE>EXIT
```

**ON\_SAT:                    ENTER ON SATELLITE VOLTS<-15.00/15.00>**

Enter the voltage coming from the receiving equipment when "on satellite".

**OFF\_SAT:                    ENTER OFF SATELLITE VOLTS<-15.00/15.00>**

Enter the voltage coming from the receiving equipment when "off satellite".

**NOTE POLARITY & OFFSETS    <MODE>EXIT**

After the two voltages are entered, the required offset voltage is calculated for both signal strength channels and the polarity (NEGitive or POSitive) is displayed. The channel that would be most appropriate for the entered voltage characteristics is noted by a "\*".

Note that if the entered values are out of range or the two values are too close together to allow a meaningful calculation the following message is displayed:

**INVALID ENTRY <MODE>EXIT & TRY AGAIN**

The screen may then be exited and reentered to start data entry again.

### 3.3.2.5 Limits Maintenance

```

AZIM CW:0  CCW:1  STOW:0 (0-OFF)  LIMITS
ELEV UP:1  DN:1  STOW:1 (1- ON)  ACTIVE
POL CW:0  CCW:1  STOW:*
<BKSP>MAKE LIMITS INACTIVE  <MODE>EXIT

```

The limits maintenance screen shows the current state of each limit switch as sensed by the RC3000's microcontroller. The state of each limit is shown as 0 if off or 1 if on. An \* is displayed if the particular limit switch is not relevant for the particular mount (there is no POL STOW switch in the above example).

**<BKSP>MAKE LIMITS INACTIVE <MODE>EXIT**

From this screen the user may inactivate software logic that prevents axis movement due to a limit switch by pressing the BKSP switch. Note that inactivating limits should be done with caution. Whenever limits are "INACTIVE" the alarm system will flash the following:

**\*\* WARNING – LIMITS INACTIVE \*\***

The limit switch logic may be returned to "ACTIVE" by pressing BKSP again.

Note that even if software limit sensing is made "INACTIVE", there are cases where movement of an axis may still be inhibited by hardware logic (sensing the state of limit switches) on the analog drive board. Good knowledge of how the various limit switches in a system are mechanized is required to determine if the limits inactive state will help in debugging any problems.

### 3.3.2.6 GPS Serial Port Diagnostics

This screen allows the user to ascertain if the GPS receiver is communicating correctly with the RC3000.

```
<BKSP> TO FREEZE DISPLAY      GPS COMM
$GPRMC,133544,V,3856.0856,N,09444.8377,
W,000.0,000.0,080499,003.6,E*7B==$GPGGA,
190449,3856.0856,N,09444.8377,W,0,00,,M
```

The screen shows the raw ASCII data coming from the GPS receiver. If there is correct communication established with the GPS, somewhere in the lines of displayed characters the strings "GPRMC" and/or "GPGGA" should be recognizable. GPRMC and GPGGA are names of data sentences defined by the NMEA-0183 standard. These two sentences are transmitted once a second by the GPS receiver.

```
$GPRMC,133544,V,3856.0856,N,09444.8377, W,000.0,000.0,080499,003.6,E*7B
```

NOTE: nine characters beyond the GPRMC string there will be either an "A" or a "V". "A" indicates that the GPS receiver is generating a valid navigation solution. A "V" indicates conditions aren't correct yet for calculating a navigation solution. This latter condition may indicate that the GPS receiver does not have a good enough view of the sky or that the receiver has not been powered on long enough to generate a solution. Under normal conditions the receiver should generate a solution within 2 minutes of powering on. If the unit has not been powered on for a long time and/or the receiver has been moved a considerable distance from its last known location, the "time-to-first-fix" may be up to 4 minutes.

Another sentence "\$PGRMT" is transmitted once a minute.

If no characters are being received from the GPS, the message "INITIALIZING GPS" will remain on line 4 of the display. Normally this message will go away within 10 seconds of entering this mode.

### 3.3.2.7 Fluxgate Serial Port Diagnostics

This screen allows the user to ascertain if the fluxgate compass is communicating correctly with the RC3000.

```
FLUXGATE
$HCHDM,266.1,M*2A==$HCHDM,266.0,M*2B==
HCHDM,266.0,M*2B==$HCHDM,266.0,M*2B==$
$HCHDM,266.0,M*2B== HCHDM,266.0,M*2B==
```

The screen shows the raw ASCII data coming from the fluxgate compass. If there is correct communication established with the compass, somewhere in the lines of displayed characters the string "HCHDM" should be recognizable.

Following the "HCHDM" should be a number indicating the current magnetic heading (266.0 in example) the compass is reading. If this value is 800.0, it indicates the fluxgate's sensor is either saturated by an unreasonably high magnetic field or the magnetic field strength is unreasonably low. If the "800.0" number is seen, the placement of the fluxgate should be checked.

### 3.3.2.8 MOVETO

The MOVETO mode is intended to provide an easy way to move the antenna to a certain position for doing testing such as cutting antenna patterns. This mode is also useful for tuning up automatic movements.

AZIM: -123.4 ( 123.4)	MOVETO
ELEV: 41.5 ( 41.5)	<5>SENSOR:PRIMARY
POL: -13.3 ( -13.3)	<3>SPEED:FAST
SET <1>AZ <2>EL<6>POL	<4>START MOVE

The current azimuth, elevation and polarization angles are displayed. When the mode is first entered, the current positions are shown as the target positions. After setting target positions and setting the desired speed, the automatic movement may be initiated by pressing the 4 key.

#### <5>SENSOR:PRIMARY

The state of this field when this mode is entered will be "PRIMARY". This means that the displayed angles and entered targets are generated and referenced to the axis sensor that generates angles. For instance, the typical primary elevation sensor is the electronic inclinometer.

If the mount is equipped with higher resolution sensors such as resolvers or pulse sensors, toggling the field to "SECONDARY" will cause the display and target to change to an integer representative of the high resolution sensor. This mode of operation allows actions such as the small movements made during inclined orbit tracking to be simulated.

### 3.3.2.9 Fluxgate Calibration Procedure

The fluxgate compass calibration procedure is performed to compensate for sources of hard and soft iron magnetic deviations from the host mount. Review the discussion on the importance of selecting a suitable site for performing the calibration in section 2.4.1.

**NOTE: the fluxgate compass must be in a level orientation to perform a good calibration.**

The user is prompted to hit the Enter key to begin the procedure. If the user is not confident that the location for calibration is adequate or does not have the ability to move the mount, the procedure may be exited by hitting the Mode key.

```

8 PT COMPASS CAL

<ENTER> TO BEGIN CAL <MODE> TO EXIT
```

Fields to show the quality of the calibration are displayed. Until the calibration is finished, an “\*” is displayed. Following successful completion of the procedure, the scores reported by the fluxgate compass will be displayed. Each procedure has unique messages for prompting the user on how to proceed.

**MOVE TO INITIAL HEADING & <ENTER>  
ROTATE 45 DEG.(START + 45/90/135/180/225/270/315) & <ENTER>**

The eight point calibration procedure requires the mount to be moved 45 degrees at a time. The first prompt asks for the mount to be moved to an initial position. After moving to the requested position, the user must let the compass know by pressing the Enter key. These steps will be repeated for 45, 90, 135, 180, 225, 270 and 315 degrees.

The requirement is not that the mount be initially placed at a true heading of 0 degrees initially. Rather the value indicates the number of degrees from the starting orientation. Also the movement each time needs only be +/- 15 degrees from the requested 45 each time. Marking out eight equidistant bearings before the procedure is performed may be beneficial.

#### **MOVEMENT MAY STOP-PERFORMING CALCULATION**

When the calibration has collected enough data, the “movement may be stopped” message is displayed. Do not mode out of calibration until the calibration finished message is displayed.

#### **CALIBRATION FINISHED,<MODE> TO EXIT**

This message indicates the fluxgate has finished performing its calibration calculations. At this time new calibration scores are displayed.

```

8 PT COMPASS CAL
CAL QUALITY:8          (0-9, >6 PREFFERRED)
MAG ENVIRON:7         (0-9, >5 PREFFERRED)
CALIBRATION FINISHED, <MODE> TO EXIT
```

#### **COMM ERROR**

At any time during the calibration procedures the RC3000 detects an abnormal response from the fluxgate, the communication error message is displayed. Exit the procedure by pressing the mode key.

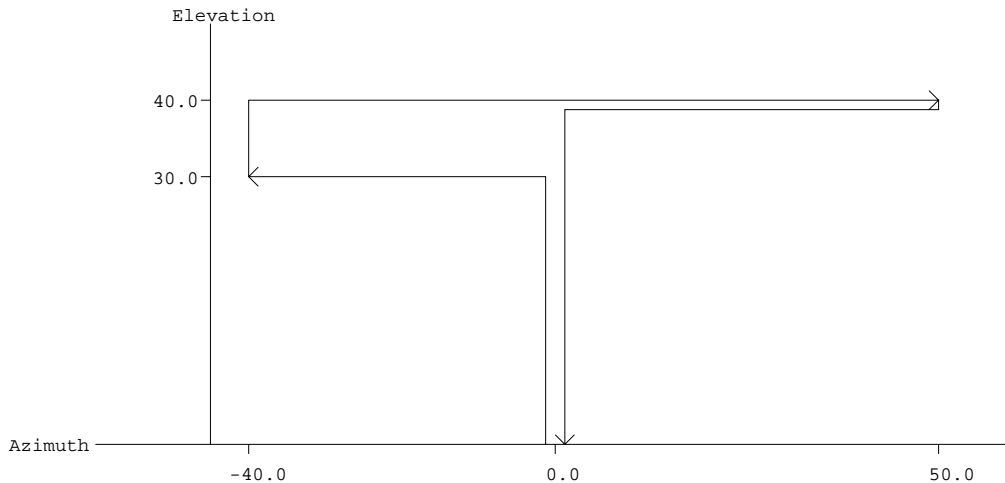
### 3.3.2.10 Shake

The SHAKE mode performs repetitive mount movements. The SHAKE mode is for support of mount testing and for automatic mount demonstrations such as trade shows. The SHAKE mode is only available if expert access is enabled.

The SHAKE mode implements a repetitive sequence of three “moves”. Each “move” is programmed with azimuth, elevation and polarization targets. Moves # 1 and 2 proceed in the order elevation, polarization and azimuth. Move # 3 proceeds in the order of azimuth, polarization and elevation to accommodate a “stow-like” sequence. NOTE: if polarization movement is not desired, set the polarization type (see polarization configuration) to “circular”. When SHAKE is selected, the following screen appears.

```
AZ 1:  -40.0  2:  50.0  3:   0.0      SHAKE
EL 1:   30.0  2:  40.0  3: -67.5  CYCLE: 100
PL 1:  -10.0  2:  10.0  3:   0.0  DELAY:   1
<1>START <CONFIG-SHAKE>EDIT <MODE>MAINT
```

This opening screen shows the programmed values for the SHAKE mode. The azimuth(AZ), elevation(EL) and polarization(PL) targets for each of the three “moves” is displayed. Also displayed is the programmed number of movement CYCLES to accomplish and the time in seconds to DELAY between each “move”. The pattern the above move targets describe is shown in the following figure.



The programming of the targets, cycles and delay is accomplished via the SHAKE configuration screen (3.3.1.17). To initiate the SHAKE sequence, press the Pol CCW/1 key. If you wish to modify the SHAKE parameters go to the CONFIG-SHAKE mode. To exit out of SHAKE press the Mode key.

When SHAKE is started the following screen appears:

```
AZIM:   0.2                      SHAKE
ELEV: -55.3                      DELAY
POL:    0.6                      CYCLE:  1/  5
<STOP>HALT MOTION <MODE>MAINT
```

As each axis moves its header (AZIM, ELEV, POL) flashes and the current position is updated. The CYCLE field shows the current\_cycle / total\_cycles . When the SHAKE function is delaying between moves, "DELAY" is displayed.

Movement may be stopped at any time by pressing the Stop or Mode keys.

### 3.3.2.11 Configuration Item Record

Selecting the Stop/. key from the MAINTENANCE screens triggers a process that will transmit the current configuration item values via the remote control port.

If the controller has the remote control option, the values will be transmitted at the baud rate set in the Remote configuration screen. Otherwise the default rate of 9600 baud will be used. The data will be sent out as 7 data bits with even parity. The data is sent out as a simple set of ASCII characters with each line terminated by a linefeed and carriage return. It is intended that a simple program such as HyperTerminal be used to pull in the data.

The output's first three lines will contain date, time, mount type, software version number, etc. Next the configuration items will be sent out per configuration screen. For each configuration item, the field shown on the screen, the item value and the bottom row prompt associated with the item will be sent on one line. The following is an example output showing the first two configuration screens.

```

RC3000 CONFIGURATION ITEMS
20OCT05  20:49:21
V1-GTR  1.54

SYSTEM DEFINITION
      SN:   1234   SERIAL NUMBER<1-9999> (0=NOT ENTERED)
      GPS:    1   <1>GPS PRESENT <0>NOT PRESENT
      COMPASS: 1   <0>NONE <1>TRUCK MOUNT <2>ANTENNA MOUNT
      MODE:   2   <1-LOCATE 2-MENU 3-MANUAL 4-VSAT 5-POS>
      ANT SIZE: 244 ANTENNA SIZE <1-9999 CM>
      WAVEGUIDE: 0   WAVEGUIDE SWITCH <1>PRESENT <0>NONE
ELEVATION CALIBRATION
      REF V:  1.69  SET ZERO VOLTAGE <0.50 - 4.50>
      OFF:    0.0  ELEVATION OFFSET <-25.0/+25.0 DEGREES>
      UP:     90   SET UP LIMIT <0-90 DEGREES>
      DOWN:   0   SET DOWN LIMIT <0-90 DEGREES>
      SF:    50.00 SCALE FACTOR <30.00 - 60.00 mV/deg>
      LOOK:   1   ELEV LOOK CONFIGURATION <1>HIGH <0>LOW

```

NOTE: During the time (up to 15 seconds) it takes to output all configuration item values, there will be no action apparent at the RC3000's front panel. The user should monitor his recording program to determine when the process is finished. Note also that this process will disrupt normal remote control actions so any other monitor and control applications should be paused during this process.

The intent of this feature is to provide a convenient way to record configuration item values following the calibration of the controller. Before contacting RCI for technical support, it would also be useful to record the current configuration items status and send the file to RCI.



## 3.4 Alarm Displays

The alarm system monitors important system parameters and flashes a message on the bottom line of the LCD display if an error is found. The parameters monitored include the condition of the lithium battery, status of the azimuth and elevation antenna drive systems, and the values of certain variables. Some error codes have priority over others. Alarm conditions are sampled sequentially, with the highest priority sampled first. As corrective action is taken for each error, the code is eliminated, and if there is a lesser error, it will then appear.

Many of the alarm messages described in this section are caused by corrupt CONFIG mode items. Note that access to certain CONFIG mode items is controlled by the value of other CONFIG mode items. See the first few paragraphs of section 4.10 for an explanation of the role of controlling CONFIG mode items. If the value of a controlling CONFIG mode item is such that access to other CONFIG mode items is restricted, corrupt values of those other CONFIG mode items can still generate an alarm message. Access to the corrupted item is only available if the controlling item is changed to allow it.

All of the CONFIG mode items must be initialized to a valid value, even if the feature associated with that CONFIG mode item is disabled. For example, even if REMOTE mode is disabled, the *Comm Port Baud Rate* and *Comm Port Address* CONFIG mode items must still be initialized properly.

### LOW BATTERY

The RC2000C constantly monitors the level of the lithium battery. When the power level is low, this error code will appear. Replace the battery with a Duracell DL2450. Make sure that the unit is unplugged from the AC power before removing the cover to change the battery. Take care to hold the battery tab away from the battery housing while replacing the battery, and it will not be necessary to reprogram the memory. Since there is a chance that the non-volatile memory will be corrupted when the battery is changed, please refer to Appendix A entitled 'Restoring the Non-Volatile Memory' before changing the battery.

### ANT AZIM, ANT ELEV, ANT POL

These alarm messages indicate that an error has been detected for the axis referenced in the alarm message. When one of these alarms are detected, the axis is disabled. Go to RESET mode (section 5.7) to view the actual fault condition which was detected and to clear the fault.

A Reset mode JAMMED indication may mean that the drive breaker is open. This can occur if simultaneous movement is enabled, and the total current draw from both motors exceeds 8 amps. Reset the breaker by pressing it back into place, and disable Simultaneous AZ/EL movement via CONFIG mode. See Section 5.10.2

### COMM PORT

This error (caused by an incorrect checksum) indicates that the value of at least one of the following CONFIG mode items has been corrupted: *Remote Mode Enable*, *Comm Port Baud Rate*, or *Comm Port Address*. *Remote Mode Enable* is the controlling item for this group of CONFIG mode items - it must be enabled to allow access to the *Comm Port Baud Rate* and *Comm Port Address* CONFIG mode items. See section 5.10.3.

### POL OPTIONS

This error (caused by an incorrect checksum) indicates that the value of at least one of the following CONFIG mode items has been corrupted: *Rotating Feed Present*, *Rotating Feed CW Limit*, *Rotating Feed CCW Limit*, or *Rotating Feed Jog Duration*. The *Rotating Feed Present* item is the controlling item for this group of CONFIG mode items - it must be set to YES to allow access to the other items. See sections 5.10.6 and 3.3.

**AZ/EL OPTIONS**

This error (caused by an incorrect checksum) indicates that the value of at least one of the following CONFIG mode items has been corrupted: *Az/El Drive Options Enable*, *Az/El Fast Slow Threshold*, *Az/El Retry Attempts*, *Az/El Fast Deadband*, *Az/El Slow Deadband*, *Azim Coast Threshold*, *Elev Max Position Error*, or *Simultaneous Az/El Enable*. The *Az/El Drive Options Enable* CONFIG mode item is the controlling item for most members of this group of CONFIG mode items - it must be enabled to allow access to the other items. See sections 5.10.2 and 5.10.7.

**TIME/DATE**

This alarm code indicates either the *Time* or *Date* is corrupt. The time and date are entered via CONFIG mode. See section 5.10.8.

**TRACK CONFIG**

This error code indicates that at least one of the following CONFIG mode items is corrupt: *Max Track Error*, *Search Enable*, or *Search Width*. See section 5.10.11

## 4.0 TROUBLESHOOTING

This section provides tips for debugging typical problems. There are many interfaces between the RC3000 and position sensors, limit switches, mechanical components of the mount, other satellite equipment, etc. Some problems are due to interactions that are not readily apparent. Review all of the troubleshooting sections to see if a situation similar to yours is described.

### 4.1 Limit Switches

The various limit switches serve as safety interlocks to prevent mount damage. The RC3000 checks for limit conditions via both software and a Programmable Logic Device on the analog board. The following table summarizes the interlock logic employed:

LIMIT	INTERLOCK LOGIC
Azimuth STOW	Elevation movement below the Elevation DOWN position is not allowed unless the Azimuth STOW condition is active.
Azimuth CCW	CCW movement in azimuth is not allowed when the azimuth CCW condition is active.
Azimuth CW	CW movement in azimuth is not allowed when the azimuth CW condition is active.
Elevation DOWN	No azimuth movement is allowed when the Elevation DOWN condition is active.
Elevation STOW	No further elevation down movement is allowed when the Elevation STOW condition is active. NOTE: when the Elevation STOW condition is active, the RC3000 internally generates an Elevation DOWN condition.
Elevation UP	No further elevation up movement is allowed when the Elevation UP condition is active.
Polarization CCW	CCW movement in polarization is not allowed when the polarization CCW condition is active.
Polarization CW	CW movement in polarization is not allowed when the polarization CW condition is active.
Polarization STOW	Elevation movement below the Elevation DOWN position is not allowed unless the Polarization STOW condition is active. NOTE: only certain mounts mechanize the Polarization STOW limit switch – check appendix B for your mount.

Many problems are caused by limit switches either activating incorrectly or the RC3000 not sensing the limit switch's state correctly. The following are some examples of problems caused by limit switch sensing:

**Mount will move down in elevation but not up.** Check that the Elevation UP limit switch is not stuck in the active state.

**Mount will not move below the DOWN elevation limit.** Check that the Azimuth STOW limit switch has activated correctly. Also check the polarization STOW limit switch if the mount is so equipped.

**Mount will only move up in elevation.** Check that the Elevation STOW limit switch is not stuck in the STOW condition.

**Mount is above the Elevation DOWN position but will not move in azimuth.** Check that the Elevation DOWN limit switch is not active.

Failure of a limit switch to activate properly may be due to the limit switch mechanism itself, cabling to the limit switch or failure of the RC3000 to sense the limit switch correctly. Isolating the problem to the RC3000 or switch/wiring may be accomplished by jumpering the appropriate pins on the J3 connector. NOTE: only the Elevation STOW/DOWN/UP, Azimuth STOW and Polarization STOW (if applicable) are mechanized via discreet limit switches – Azimuth CW/CCW and Polarization CW/CCW limits are mechanized differently and will be discussed later.

After removing the wiring harness from J3, the first thing to check is that 12 VDC is present at the “+” pin of each limit switch. Pins 2,9,10 and 11 should have +12 VDC present (see 2.2.4 – J3 wiring diagram.) NOTE: pin 5 should also have +12 only if pins 11 and 13 are jumpered. If +12 VDC is not present, there is a power supply failure within the RC3000. Contact your vehicle integrator, mount manufacturer or RCI for further instructions on how to proceed.

If +12 VDC is present, the limit switch sensing logic may be checked by jumpering between the appropriate pins and noting if the limit switch condition is sensed correctly by the RC3000. The state of the limit switches should be monitored via the Limits Maintenance (3.3.2.5) screen. The following table shows which pins to jumper and state that should be seen via the Limits Maintenance screen.

LIMIT	J3 PINS	JUMPERED	OPEN
Azimuth STOW	9,7	1	0
Elevation DOWN	5,6*	0	1
Elevation STOW	11,13	0	1
Elevation UP	10,14	0	1
Polarization STOW	1,2	0	1

\* - To test Elevation DOWN, pins 11 & 13 must be jumpered to simulate elevation not stowed

The azimuth CW/CCW and polarization CW/CCW limit conditions are mechanized by potentiometers inside the RC3000 that should be set to correspond to the axis voltage at the limit conditions. If any of these limits appear to be activating at the wrong time, check the setting of the potentiometers as described in the azimuth and polarization calibration procedures (2.3.3 and 2.3.4.)

## 4.2 Motor Drive

Axis JAMMED error displayed. A jammed error indicates that the axis was commanded to move, but the RC3000 did not sense any movement within several seconds. A jammed condition may indicate one of several conditions:

**The mount’s mechanical drive mechanism is physically jammed.** Inspect the mount to determine if some mechanical problem (slipped gears, etc) exists. Unusual conditions such as icing may also cause the mount to jam.

**The mount’s position is not being sensed correctly by the RC3000.** After resetting the drive error, go to MANUAL mode and attempt to jog the axis in question. If the axis does move, check to see if the axis’ displayed position is updating. If the RC3000 doesn’t sense movement, it will declare a jam even though the axis is moving.

**The RC3000’s motor drive is failing to output the required voltage to move the axis.** Attempt to move the axis in question via the MANUAL mode. There are several things to note:

- 1) When a jog key is pushed, can relays inside the RC3000 be heard activating? If no relays are heard, a limit switch condition may be present that disallows movement in the axis in question. Review the above limit switch discussion.
- 2) Can the axis move in slow speed but not in fast? If this is the case, the fast voltage setting or current limit setting of the motor drive may need to be adjusted.
- 3) Is there voltage present at the appropriate J7 pins when the axis jog is attempted? If no voltage is present, there’s the possibility that a fuse inside the RC3000 has blown (take care inside unit => must disconnect power, etc.)

If a fuse is blown, replace with the appropriate fuse. Reconnect J7 and remove the drive wires at the motors. Attempt to jog the axis. If the fuse blows again, the drive cables should be checked for a short. If the fuse does not blow, the motor should be checked.

The axis’ motor is damaged. If possible, attempt to apply DC voltage to the motor from an external source such as a series of batteries. If the motor will not move, the motor is probably damaged.

**When a manual jog key is released, the axis continues moving for about 5 seconds.** This condition is indicative of a drive relay failure inside the RC3000. The RC3000 has a “safety” relay in series with the normal drive relays that opens 5 seconds after any commanded movement is stopped.

### 4.3 Automatic Movements

**The mount does not go below the elevation DOWN limit when stowing.** To proceed below the DOWN limit, the azimuth stow limit must be active. The RC3000 drives to the azimuth stow position and checks to confirm that the azimuth stow switch is active. If the azimuth stow limit is not active, the controller will make several attempts to find the stow switch in the immediate vicinity.

If the azimuth stow switch is not sensed in the correct position, check that the limit switch is working properly. There is also the possibility that the azimuth potentiometer has slipped causing the sensed stow position not to be in the same place the stow switch is active.

On some mounts, the polarization stow switch must also be active before movement below the DOWN limit may occur.

**When stowing, the mount reaches the elevation stow position but the elevation motor continues to run.** The stow routine does not stop until the elevation stow switch has been activated. If the elevation stow switch is faulty, the controller will continue to drive down. The RC3000 does implement a 5 minute “timeout” of the elevation axis drive in an attempt to prevent elevation motor “meltdown”.

**The mount begins an automatic movement (stow, deploy, etc.) but generates an “axis jammed” error.** All automatic movements move to a “target” location. If far enough away from the target, the move will initially be done in the FAST speed for the axis and then switch to SLOW when close to the target. If the SLOW speed has been set too low, the axis may jam. Attempt to move the axis in SLOW speed from the MANUAL mode to duplicate the situation. If SLOW speed seems to be the problem, adjust the drive voltage up as discussed in 2.3.5.

### 4.4 GPS

The interface between the RC3000 and the optional GPS receiver is via an RS-232 serial port. The data stream from the GPS receiver is parsed in multiple places in order to receive latitude, longitude and time data. The following messages may be displayed when the RC3000 is attempting to receive data from the GPS:

**\*\* NO GPS PRESENT \*\*.** This message indicates that the `gps_present` item in the System Components (3.3.1.3) configuration item has been set to 0 indicating that no GPS is attached to the RC3000. No attempt will be made to parse GPS data in this state. If a GPS is truly attached, set the `gps_present` item to 1. Note that if the GPS option was not purchased with the controller, the `gps_present` item will not be allowed to be set to 1.

**\*\*INITIALIZING\*\* or STARTING GPS.** This message indicates that the RC3000 has sent a command to the GPS receiver to start communication. Normally this message should only appear momentarily until the first response from the GPS has been received.

**\*\*GPS OFFLINE\*\*.** This message means that no data has been received from the GPS. If this message persists, troubleshooting of GPS communications as described below should be performed.

To check that communication with the GPS is occurring, move to the GPS Serial Port Diagnostics (3.3.2.6) screen. The data on the screen should update approximately once a second. If no data is being displayed or the GPRMC data stream described in 3.3.2.6 is unrecognizable, the integrity of the cabling between the RC3000 and the GPS receiver should be checked.

**\*\*NO GPS NAV\*\***. This message means that correct data streams are being received from the GPS, but the received data indicates that the GPS has not yet formulated a navigation solution (latitude and longitude.)

Under normal conditions the GPS should generate a navigation solution within 4 minutes of powering on. If the GPS has not been powered on for several weeks or if the GPS has been moved a considerable distance from the last position that it generated a navigation solution, the time it takes to generate a solution may go beyond 4 minutes. When the GPS is powered up, it assumes it is at the same lat/lon as when it was powered down. It also has stored the ephemeris data it had at that time. While powered down the GPS' real time clock will continue to timekeep.

The GPS will not generate a navigation solution if it cannot "see" 4 satellites. Check that the GPS unit has a clear view of the sky. If parked next to a tall building, even if the GPS has a seemingly clear view of the sky, the current GPS satellite constellation may be such that too many satellites are masked.

**RF Interference.** Strong interference from transmitting antennas close to the GPS receiver may also disrupt the receiver's ability to "see" satellites. Attempt to turn off transmitting sources (satellite phones, etc.) close to the GPS antenna to see if that affects the GPS' performance.

## 4.5 Fluxgate Compass

The interface between the RC3000 and the optional fluxgate compass is via a RS-232 serial port.

**NO COMPASS.** This message indicates that the compass\_present item in the System Components (3.3.1.2.1) configuration item has been set to 0 indicating that no compass is attached to the RC3000. No attempt will be made to parse compass data in this state. If a compass is truly attached, set the compass\_present item to 1 or 2. Note that if the compass option was not purchased with the controller, the compass\_present item will not be allowed to be set to a value other than 0.

**\*\*\*\*\* in compass data field.** The "\*\*\*\*\*" string in a position where compass data should normally appear indicates that the RC3000 cannot parse a valid heading string from the compass. Use the Fluxgate Serial Port Maintenance screen (3.3.2.7) to see if data from the compass is arriving at the RC3000.

If the heading string within the compass data shows "800.0" instead of a valid heading value (0.0 to 359.9), the compass is reporting that the magnetic field it is sensing is either too high or too low. Usually this means that another strong magnetic field is close to the compass. Try to relocate the compass away from any sources of magnetic fields (generators, air conditioners, etc.) Sometimes equipment that normally doesn't generate a magnetic field may become magnetized by some event such as a nearby lightning strike.

**COMM ERROR during compass calibration.** During a compass calibration procedure, the RC3000 sends commands to the compass and checks for correct replies. The COMM ERROR message indicates that a) a response from the compass was not received correctly or b) the calibration command from the RC3000 was not received by the compass. First check communication from the compass as above. If correct data is coming from the compass, then inspect the wiring to determine if the transmit (from RC3000 to compass) line is correct.

## 5.0 DRAWINGS & SCHEMATICS

ITEM	SCHEMATIC NAME	# OF PAGES
RC3000 Main Enclosure		1
System Interconnects	3K-A2-SYS_CONNECT	6
Digital Board	B-3KDIG1B	3
Analog Board	B-3KAN5	13
Drive Board	B-3KDPB04	6
Resolver Board	3KRLSVR3	3

NOTE: This page is in the manual in order to generate the correct page number for the table of contents. All schematics will be compiled in their own file (starting at this page number) to be appended to this file.

## Free Manuals Download Website

<http://myh66.com>

<http://usermanuals.us>

<http://www.somanuals.com>

<http://www.4manuals.cc>

<http://www.manual-lib.com>

<http://www.404manual.com>

<http://www.luxmanual.com>

<http://aubethermostatmanual.com>

Golf course search by state

<http://golfingnear.com>

Email search by domain

<http://emailbydomain.com>

Auto manuals search

<http://auto.somanuals.com>

TV manuals search

<http://tv.somanuals.com>