

O P E R A T I N G M A N U A L

**8660C**  
**SYNTHESIZED**  
**SIGNAL GENERATOR**

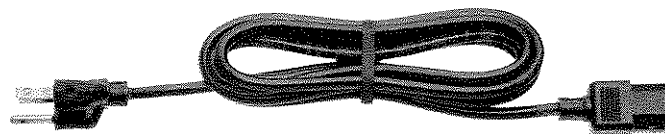
DUPLICATE OF SECTIONS 1 THRU 3  
OF YOUR OPERATING AND SERVICE MANUAL  
KEEP WITH INSTRUMENT

Printed JANUARY 1981  
© Hewlett-Packard Co. 1975, 1977, 1979, 1981

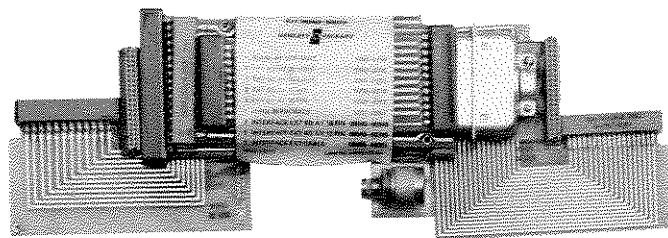




MODEL 8660C



LINE POWER CORD



ACCESSORY

Figure 1-1. Model 8660C and Accessories Supplied

## SECTION I

### GENERAL INFORMATION

#### 1-1. INTRODUCTION

1-2. This manual contains all information required to install, operate, test, adjust and service the Hewlett-Packard Model 8660C Synthesized Signal Generator mainframe. This section covers instrument identification, specifications and other basic information. Figure 1-1 shows a front view of the instrument and accessories supplied.

1-3. The other various sections of this manual provide information as follows:

a. SECTION II, INSTALLATION, provides information relative to incoming inspection, power requirements, mounting, packing for shipment, etc.

b. SECTION III, OPERATION, provides information relative to operating the instrument.

c. SECTION IV, PERFORMANCE TESTS, provides information required to ascertain that the instrument is performing in accordance with published specifications.

d. SECTION V, ADJUSTMENTS, provides information required to properly adjust and align the instrument after repairs are made.

e. SECTION VI, REPLACEABLE PARTS, provides ordering information for all replaceable parts and assemblies.

f. SECTION VII, MANUAL CHANGES, provides manual change information necessary to document all prefixes listed on the title page. In addition, this section also contains recommended modifications for the earlier instrument configurations.

g. SECTION VIII, SERVICE, includes all information required to service the instrument when a malfunction occurs.

1-4. Packaged with this instrument is an Operating Information Supplement. This is simply a copy of the first three sections of this manual (less Table 1-2). This supplement should stay with the instrument for use by the operator. Additional copies of the Operating Information Supplement may be ordered separately through your nearest Hewlett-

Packard office. The part number is listed on the inside title page of this manual below the Manual Part Number.

1-5. Also listed on the inside title page of this manual, below the manual part number, is a "Microfiche" part number. This number may be used to order 4 x 6 inch microfilm transparencies of the manual. Each microfiche contains up to 60 photo-duplicates of the manual pages. The microfiche package also includes the latest Manual Changes Supplement as well as all pertinent Service Notes.

#### 1-6. SPECIFICATIONS

1-7. Instrument specifications are listed in Table 1-1. These specifications are the performance standards or limits against which the instrument may be tested.

#### 1-8. INSTRUMENTS COVERED BY MANUAL

1-9. This instrument has a two-part serial number. The first four digits and the letter comprise the serial number prefix. The last five digits form the sequential suffix that is unique to each instrument. The contents of this manual apply directly to instruments having the same serial number prefix(es) as listed under SERIAL NUMBERS on the inside title page.

1-10. An instrument manufactured after the printing of this manual may have a serial prefix that is not listed on the inside title page. This unlisted serial prefix indicates that the instrument is different from those documented in this manual. The manual for this instrument is supplied with a yellow Manual Changes supplement that contains "change information" that documents the differences.

1-11. In addition to change information, the supplement may contain information for correcting errors in the manual. To keep this manual as current and accurate as possible, Hewlett-Packard recommends that you periodically request the latest Manual Changes supplement for this manual. The supplement for this manual is keyed to this manual's print date and part number, both of

Table 1-1. Model 8660C Specifications (1 of 2)

## SPECIFICATIONS

**Frequency Selection:**

Keyboard control panel allows selection of CW (or center frequency) by entry keys or synthesized tuning dial. Least significant digit either 1 Hz (standard) or 100 Hz (Option 004).\*

**Reference Oscillator:**

**Internal:** 10 MHz quartz oscillator. Aging rate less than  $\pm 3$  parts in  $10^8$  per 24 hours after 72 hour warmup ( $\pm 3$  parts in  $10^9$  per 24 hours after 30 day warmup, Option 001).

**External:** Rear panel switch allows operation from any 5 MHz or 10 MHz signal at a level between 0.5V and 2.5V rms into 170 ohms. Stability and spectral purity will be partially determined by characteristics of external reference oscillator.

**Reference Output:**

Rear panel BNC connector provides output of signal selected (INT. or EXT.) at the following levels into 170 ohms:

**Internal Reference:** 0.75V to 1.5 Vrms.

**External Reference:** Nominally equal to external input.

**Display:**

Ten-digit numerical LED display of CW frequency is active in either local or remote mode. Spring-loaded pushbuttons provide display of sweep width, selected step size, or characters being entered on the keyboard.

**Synthesized Search:**

Synthesized search dial changes the synthesized output frequency 180 steps per revolution (with the 86601A, the COARSE and STEP tuning are desensitized to 36 steps/revolution). Step sizes are 1 Hz, 1 kHz, 1 MHz, or any step size entered through the keyboard.

**Digital Sweep:**

**Type:** Symmetrical about CW/center frequency.

Sweep width is divided into 100 synthesized steps for fastest sweep speed or 100 steps for slower speeds or Manual Sweep.

**Sweep Width:** Continuously adjustable over range of RF section installed. Smallest step size is equal to frequency resolution of mainframe.

**Sweep End Point Accuracy:** Same as reference oscillator accuracy.

**Sweep Speed:** Selectable 0.1 sec, 1 sec, or 50 sec per sweep (Auto or Single).

**Sweep Output:** 0 to +8V stepped ramp, 100 or 1000 equal steps depending on sweep speed.

**Manual Sweep:** Synthesized search dial allows manual sweep over width selected in 1000 steps (LED display follows output frequency during manual sweep).

**Single Sweep:** Initiated by momentary contact pushbutton.

**Frequency Stepping:**

After a step size has been entered on the keyboard, depressing STEP  $\uparrow$  or STEP  $\downarrow$  button will increment frequency up or down by the desired step size.

**Step Accuracy:** Same as reference oscillator accuracy.

## REMOTE PROGRAMMING

CW frequency, frequency stepping (STEP  $\uparrow$  or STEP  $\downarrow$ ) and output level, and most modulation functions are programmable. Note: digital sweep is NOT programmable.

**Frequency:**

CW frequency is programmable over entire range with same resolution obtained in manual operation.

**Frequency Step:**

STEP  $\uparrow$  or STEP  $\downarrow$  may also be programmed to change output frequency by a previously selected step size.

**Output Level:**

Programmable in 1 dB steps over the output range of the RF section installed (for output level accuracy see RF section specifications).

**Modulation:** See specifications for modulation and RF section installed.

**Programming Input:**

**Connector Type:** 36 pin Cinch type (mating connector supplied). (Optional HP-IB interface; 24 pin Cinch type 57 (mating connector NOT supplied)).

**Logic:** TTL compatible (negative true)  
"0" logic state corresponds to +2V or higher.

"1" logic state corresponds to +0.8V or lower.

**Internal Fan-in from Programming Connector:**

10; (required current approximately 15 mA per line in the "1" state).

\*When using 86603A RF section above 1300 MHz least significant digit becomes either 2 Hz (standard) or 200 Hz (Option 004).

Table 1-1. Model 8660C Specifications (2 of 2)

| GENERAL  |   |
|--|---|
| <p><b>Operating Temperature Range:</b> 0° to +55°C.</p> <p><b>Leakage:</b> Meets radiated and conducted limits of MIL I-6181D.</p> <p><b>Power:</b> 100 or 120 Vac, +5 -10% at 48 to 440 Hz.<br/>200 or 240 Vac, +5 -10% at 48 to 66 Hz.<br/>400 VA maximum.</p> <p><b>Weight:</b> (Mainframe only): Net, 23.2 kg (51 lb),<br/>Shipping 28.6 kg (63 lb).</p> | <p><b>Options:</b></p> <p>Option 001: <math>\pm 3 \times 10^{-9}</math> /day internal reference oscillator.</p> <p>Option 002: No internal reference oscillator.</p> <p>Option 003: Operation from 50 to 400 Hz line.</p> <p>Option 004: 100 Hz frequency resolution (200 Hz above 1300 MHz center frequency.)</p> <p>Option 005: HP-IB programming interface.</p> <p>Option 100: 11661B factory installed.</p> <p>Option 908: Rack Mounting Kit.</p> |

which appear on the inside title page. Complimentary copies of the supplement are available from Hewlett-Packard.

1-12. For information concerning a serial number prefix not listed on the inside title page or in the Manual Changes supplement, contact your nearest Hewlett-Packard office.

### 1-13. DESCRIPTION

1-14. The Model 8660C Synthesized Signal Generator Mainframe requires two plug-in sections to provide a useable RF output. The plug-ins required are an RF Section and a Modulation (or Auxiliary) Section. These plug-in sections are inserted into the front of the Model 8660C; all operating controls are on the front panels of the plug-in sections or on the mainframe panel.

1-15. An internal plug-in unit, the Frequency Extension Module (HP accessory number 11661) is required when any RF Section other than the HP Model 86601 is in use.

### 1-16. GENERAL OPERATING PRINCIPLES

1-17. All of the signals generated in the Model 8660C are phase locked, directly or indirectly, to a 100 MHz master oscillator in the reference section. The 100 MHz master oscillator is phase locked to an internal temperature controlled oscillator or to an external standard. Provisions are made for the internal oscillator to be used as a reference signal for other equipment.

1-18. The Model 8660C uses synthesizer techniques to provide digitally controlled, precise RF signals which are used in the RF Section output plug-ins to produce the selected output frequency. The output frequencies are exactly those selected

in 1 Hz or 2 Hz increments in the standard instruments, or in 100 Hz or 200 Hz increments in Option 004 instruments.

1-19. Six phase locked loops, (four in Option 004 instruments), all phase locked to the 100 MHz master oscillator, are used to generate the RF signals used in the RF Section plug-ins to produce the final output signal.

1-20. The Model 8660C output frequency may be selected by front panel controls or by a remote programming device.

1-21. Operating of the plug-in sections may also be remotely programmed through the mainframe circuits.

1-22. Descriptions, operating instructions and service information for the various plug-in sections is provided in separate manuals.

### NOTE

*The 8660 family, and plug-ins available are described briefly on the first foldout Sheet.*

### 1-23. OPTIONS

1-24. **Option 001:** Reference Oscillator with  $\pm 3 \times 10^{-9}$  / per day stability.

1-25. **Option 002:** No internal standard reference oscillator.

1-26. **Option 003:** 50 to 400 Hz ac operation.

1-27. **Option 004:** 100 Hz resolution below 1300 MHz, 200 Hz resolution above 1300 MHz.

**1-28. Option 005.** Hewlett-Packard Interface Bus installed instead of BCD interface. HP-IB utilizes some ASCII interface codes (also previously referred to as General Purpose Interface Bus).

**1-29. Option 100.** Adds an internal plug-in, the 11661 (for use with an 86602 or 86603 RF Section) before the instrument is shipped from the factory.

**1-30. Option 908.** Adds a rack mounting kit. If the 8660C was purchased without the rack mounting option, the kit may be ordered from the nearest Hewlett-Packard office using HP part number 08660-60347.

### 1-31. EQUIPMENT REQUIRED BUT NOT SUPPLIED

1-32. An RF Section and a Modulation or Auxiliary Section must be installed in the Model 8660C mainframe. In addition when an RF Section such as the 86602 or 86603 is used, the internal Frequency Extension Module (Model 11661) must be used.

### 1-33. EQUIPMENT AVAILABLE

1-34. A service kit, Hewlett-Packard accessory number 11672A, is recommended for servicing and adjusting the mainframe and the plug-in sections. Contents of the service kit are listed in Table 1-2. Individual items in the kit may be ordered separately if desired.

### 1-35. ACCESSORIES SUPPLIED

1-36. The following accessories are provided with the Model 8660C:

a. A detachable three-wire power cable. The type of power cord will be determined by the shipment destination.

b. An accessory kit, part number 08660-60070, consisting of the following:

|   |   |             |
|---|---|-------------|
| 1 | Connector, Type N-to-BNC                | 1250-0780   |
| 1 | Extender Board, 20 contact              | 5060-0256   |
| 1 | Extender Board, 24 contact              | 5060-0258   |
| 2 | Extender Boards, 15 contact             | 5060-0276   |
| 1 | Extender Board, 18 contact              | 5060-0277   |
| 1 | Connector 36 pin with hood and clamp    | 1251-0084   |
| 1 | Extender Board A3 Interface, 18 Contact | 08660-60348 |
| 1 | Extender Board A3 Interface, 12 Contact | 08660-60349 |
| 1 | Interface Extender Board Cable          | 08660-60361 |

### 1-37. WARRANTY

1-38. Certification and warranty information for the Model 8660C appears on the inside front cover of this manual.

### 1-39. TEST EQUIPMENT AND ACCESSORIES

1-40. Table 1-2 lists the test equipment and accessories recommended to test, adjust, and service the Model 8660C.

### 1-41. ELECTRICAL PROTECTION

1-42. The safety classification of this instrument is Safety Class I.

1-43. This apparatus has been designed and tested to operate in a safe manner. The Operating and Service Manual contains information, warnings and cautions which must be followed by the user to ensure safe operation and to retain safe operating conditions.

## SECTION II INSTALLATION

### 2-1. INTRODUCTION

2-2. This section provides information on incoming inspection, selecting the input line voltage, operating environment, and information applicable to bench and rack mounted operation of the Model 8660C.

### 2-3. INITIAL INSPECTION

2-4. Inspect the shipping container for damage. If the shipping container or cushioning material is damaged it should be kept until the contents of the shipment have been checked mechanically and electrically. The contents of the shipment are shown in Figure 1-1, and the procedures for checking electrical performance are given in Section IV. If the contents are incomplete, if there is mechanical damage or defects, or if the instrument does not pass the electrical performance test, notify the nearest Hewlett-Packard office. If the shipping container is damaged or the cushioning material shows signs of stress, notify the carrier as well as the Hewlett-Packard office. Keep the shipping materials for the carrier's inspection. The HP office will arrange for repair or replacement without waiting for claim settlements.

2-5. The warranty statement for the instrument is on the inside front cover of this manual. Contact the nearest Sales/Service Office for information relative to warranty claims.

### 2-6. PREPARATION FOR USE

#### 2-7. Power Requirements.

2-8. The Model 8660C requires a power source of 100, 120, 220, or 240 volts +5%, -10%, 48-66 Hz. Power consumption is approximately 400 VA maximum.

#### 2-9. Line Voltage Selection

#### CAUTION

To prevent damage to the instrument make the line voltage selection **BEFORE** connecting the line power. Also ensure the line power cord is connected to a line power circuit that is provided with a protective earth contact.

2-10. A rear panel line power module, (A7), permits operation from 100, 120, 220, or 240 Vac.

The number visible in the window (located on the module) indicates the nominal line voltage to which the instrument must be connected.

2-11. To prepare the instrument for operation, slide the fuse compartment cover to the left (the line power cable must be disconnected). Pull the handle marked FUSE PULL and remove the fuse; rotate the handle to the left. Gently pull the printed circuit voltage selector card from its slot and orient it so that the desired operating voltage appears on the top-left side (see Figure 2-1). Firmly push the voltage selector card back into its slot. Rotate the FUSE PULL handle to the right, install a fuse of the correct rating, and slide the fuse compartment cover to the right.

#### NOTE

*For 110-120V line, use 4A slo-blo fuse, HP Stock No. 2110-0635. For 220-240V line, use 2A slo-blo fuse, HP Stock No. 2110-0303.*

#### WARNING

To avoid the possibility of injury or death, the following precautions must be followed before the instrument is switched on:

- a. Note that the protection provided by grounding the instrument cabinet may be lost if any power cable other than the three-pronged type supplied is used to couple the ac line voltage to the instrument.
- b. If this instrument is to be energized via an autotransformer to reduce or increase the line voltage, make sure that the common terminal is connected to the earthed pole of the power source.
- c. The power cable plug shall only be inserted into a socket outlet provided with a protective earth contact. The protective action must not be negated by the use of an extension cord without a protective conductor (grounding).
- d. Before switching on the instrument, the protective earth terminal of the instrument must be connected to a protective conductor of the power cord. This is accomplished by ensuring that the instrument's internal earth terminal is correctly connected to the instrument's chassis and that the power cord is wired correctly.

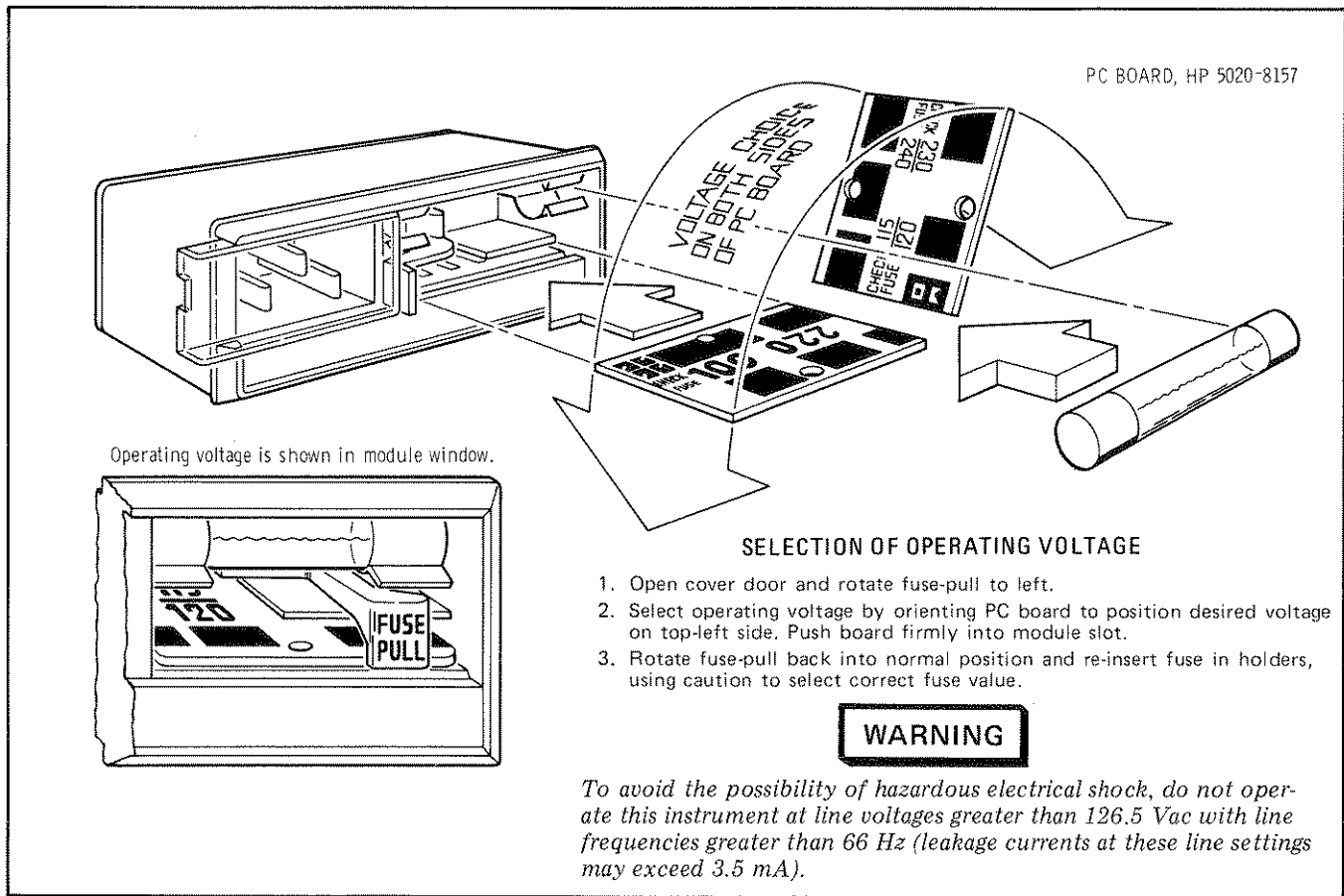


Figure 2-1. Line Voltage Selection

**NOTE**

The correct fuse rating for the line voltage selected is listed on the line power module. More information about fuses is given in the table of replaceable parts in Section VI (reference designation is A7F1).

**2-12. Power Cable**

2-13. In accordance with international safety standards, this instrument is equipped with a three-wire power cable. When connected to an appropriate power line outlet, this cable grounds the instrument cabinet. The type of power cable plug shipped with each instrument depends on the country of destination. Refer to Figure 2-2 for the part numbers of the power cable plugs available.

**2-14. Mating Connectors**

2-15. Internal mating connectors between the Model 8660C and the plug-in sections are in fixed positions. Refer to Figure 8-132 for plug-in con-

necter information. Refer to Figure 8-109 for information relative to the remote control connector, J3.

**2-16. Operating Environment**

2-17. The operating environment should be within the following limitations:

- Temperature . . . . . 0 C to +55°C
- Humidity . . . . . <95% relative
- Altitude . . . . . <4600 metres (15 000 feet)

2-18. A forced air cooling system is used to maintain the operating temperature required by the instrument. The air exhaust fan is located on the rear panel of the instrument; the air intake is through the side panels of the instrument. When operating the instrument, choose a location that provides at least three inches of clearance at the rear and at least an inch of clearance for each side. The clearances provided by the plastic feet in bench stacking and the filler strip in rack mounting are adequate for the top and bottom cabinet surfaces.



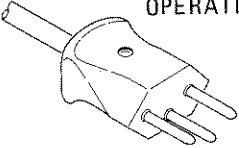
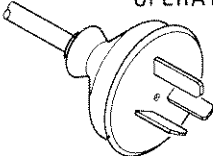
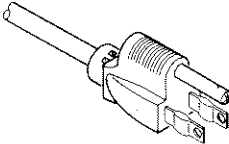
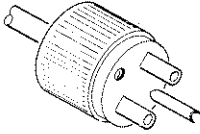
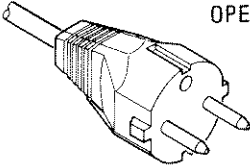
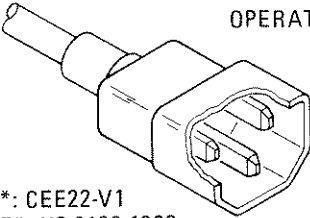
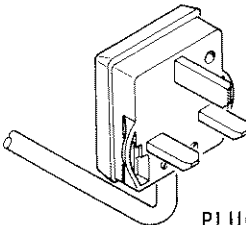
|  |   |  |   |
|--|---|--|---|
| <p>220/240V<br/>OPERATION</p>  <p>PLUG*: SEV 1011.1959-24507<br/>TYPE 12<br/>CABLE*: HP 8120-2104</p> | <p>220/240V<br/>OPERATION</p>  <p>PLUG*: NZSS 198/AS C112<br/>CABLE*: HP 8120-1369</p> | <p>100/120V<br/>OPERATION</p>  <p>PLUG*: NEMA 5-15P<br/>CABLE*: 8120-1378</p>  | <p>220/240V<br/>OPERATION</p>  <p>PLUG*: NEMA 6-15P<br/>CABLE*: HP 8120-0698</p> |
| <p>220/240V<br/>OPERATION</p>  <p>PLUG*: CEE7-VII<br/>CABLE*: HP 8120-1689</p>                        | <p>220/240V<br/>OPERATION</p>  <p>PLUG*: CEE22-V1<br/>CABLE*: HP 8120-1860</p>        | <p>220/240V<br/>OPERATION</p>  <p>PLUG*: BS 1363A<br/>CABLE: HP 8120-1351</p> |   |
| <p>*The number shown for the plug is the industry identifier for the plug only.<br/>The number shown for the cable is an HP part number for a complete cable including the plug.</p>   |   |  |   |

Figure 2-2. Power Cable HP Part Numbers

**2-19. Bench Operation**

2-20. The instrument has plastic feet and a fold-away tilt stand for convenience in bench operation. The tilt stand raises the front of the instrument for easier viewing of the control panel and the plastic feet are shaped to make full width modular instruments self aligning when stacked.

**2-21. Rack Mounting (Option 908)**

2-22. The 8660C Option 908 is supplied with a rack mounting kit. This kit contains all the necessary hardware and installation instructions for mounting the instrument in a rack with 19-inch spacing (see Figure 2-3). The HP part number for this kit is 08660-60347.

**2-23. STORAGE AND SHIPMENT**

**2-24. Environment**

2-25. The instrument should be stored in a clean, dry environment. The following environmental limitations apply to both storage and shipment:

|             |                            |
|-------------|----------------------------|
| Temperature | -40°C to +75°C             |
| Humidity    | <95% relative              |
| Altitude    | <7600 metres (25 000 feet) |

**2-26. Packaging**

2-27. Tagging for Service. If the instrument is being returned to Hewlett-Packard for service, please

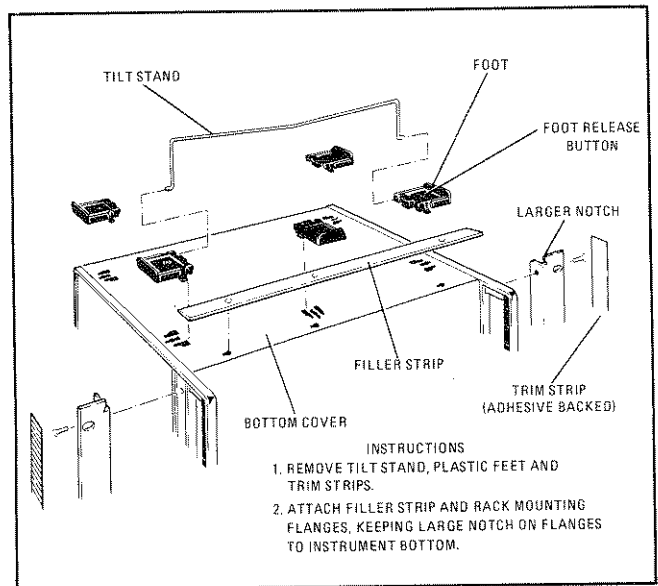


Figure 2-3. Preparation for Rack Mounting

complete one of the blue repair tags located at the end of this manual and attach it to the instrument.

2-28. Original Packaging. Containers and materials identical to those used in factory packaging are available through Hewlett-Packard offices. If the instrument is being returned to Hewlett-Packard for servicing, attach a tag indicating the type of service required, return address, model number, and full serial number. Also, mark the container FRAGILE to assure careful handling. In any correspondence, refer to the instrument by model number and full serial number.

**2-29. Other Packaging.** The following general instructions should be used for re-packaging with commercially available materials:

a. Wrap the instrument in heavy paper or plastic. (If shipping to a Hewlett-Packard office or service center, attach a tag indicating the type of service required, return address, model number, and full serial number.)

b. Use a strong shipping container. A double-wall carton made of 2.4 MPa (350 psi) test material is adequate.

c. Use enough shock-absorbing material (75–100 mm; 3 to 4-inch layer) around all sides of the instrument to provide firm cushion and prevent movement inside the container. Protect the control panel with cardboard.

d. Seal the shipping container securely.

e. Mark the shipping container **FRAGILE** to assure careful handling.

## SECTION III OPERATION

### 3-1. INTRODUCTION

3-2. This section provides operating instructions for the Hewlett-Packard Model 8660C Synthesized Signal Generator mainframe for both the local and remote modes.

3-3. The Model 8660C is designed to provide precise digitally controlled signals for use in plug-in sections which provide the selected output frequency with the chosen modulation parameters. It will be necessary to have the operating manuals for the plug-in sections being used in order to efficiently operate the instrument.

#### NOTE

*If a Modulation plug-in Section is not used it will be necessary to have an Auxiliary Section in place of the Modulation Section. The Auxiliary Section completes a signal path from the mainframe to the RF Section plug-in and also provides a means of modulating the RF Section from an external source.*

### 3-4. PANEL FEATURES

3-5. Front and rear panel controls, indicators and connectors of the 8660C are shown, and their functions described, in Figure 3-1.

### 3-6. OPERATOR'S MAINTENANCE

3-7. Operator's maintenance of the Model 8660C Synthesized Signal Generator mainframe is limited to fuse replacement.

### 3-8. OPERATING PRINCIPLES

3-9. The Model 8660C may be operated by front panel controls in the local mode or externally programmed in the remote mode. Allow the system to warm up for 15 minutes before operating.

#### WARNING

The power requirements and safety precautions listed throughout this Manual must be observed to preserve the built-in safety features of the Model 8660C.

### 3-10. LOCAL OPERATION

3-11. In the local mode of operation, all functions of the mainframe are controlled by front panel controls, except when an external reference oscillator is used. When an external reference oscillator is used, the rear panel SELECTOR switch must be in the EXT position.

3-12. The 20-key keyboard may be used to:

a. Select any frequency within the range of the RF Section plug-in in 1 Hz increments (above 1300 MHz, 2 Hz increments) for standard instruments. Option 004 instruments are selectable in 100 Hz increments (above 1300 MHz, 200 Hz increments).

#### NOTE

*Frequencies which are above the output frequency range of the RF Section, if selected, will be stored in the keyboard register, but the information will not be transferred to the center frequency register. The center frequency register and the readout will retain the last valid input. Frequencies below the output frequency range of the RF Section will be transferred to the center frequency register and the output register; the output frequency will be accurate but the output amplitude will be degraded. As an example, the Model 86601A RF Section has a specified lower frequency limit of 10 kHz, but typically will produce a useable RF output down to 3 kHz or lower.*

b. When frequencies below the RF Section frequency range are selected, the OUT OF RNG lamp lights and remains lit.

c. Select any desired sweep width within the frequency range of the RF Section in use. See paragraph 3-14 for further details of sweep operation.

d. Select any incremental step within the frequency range of the RF Section in use. See

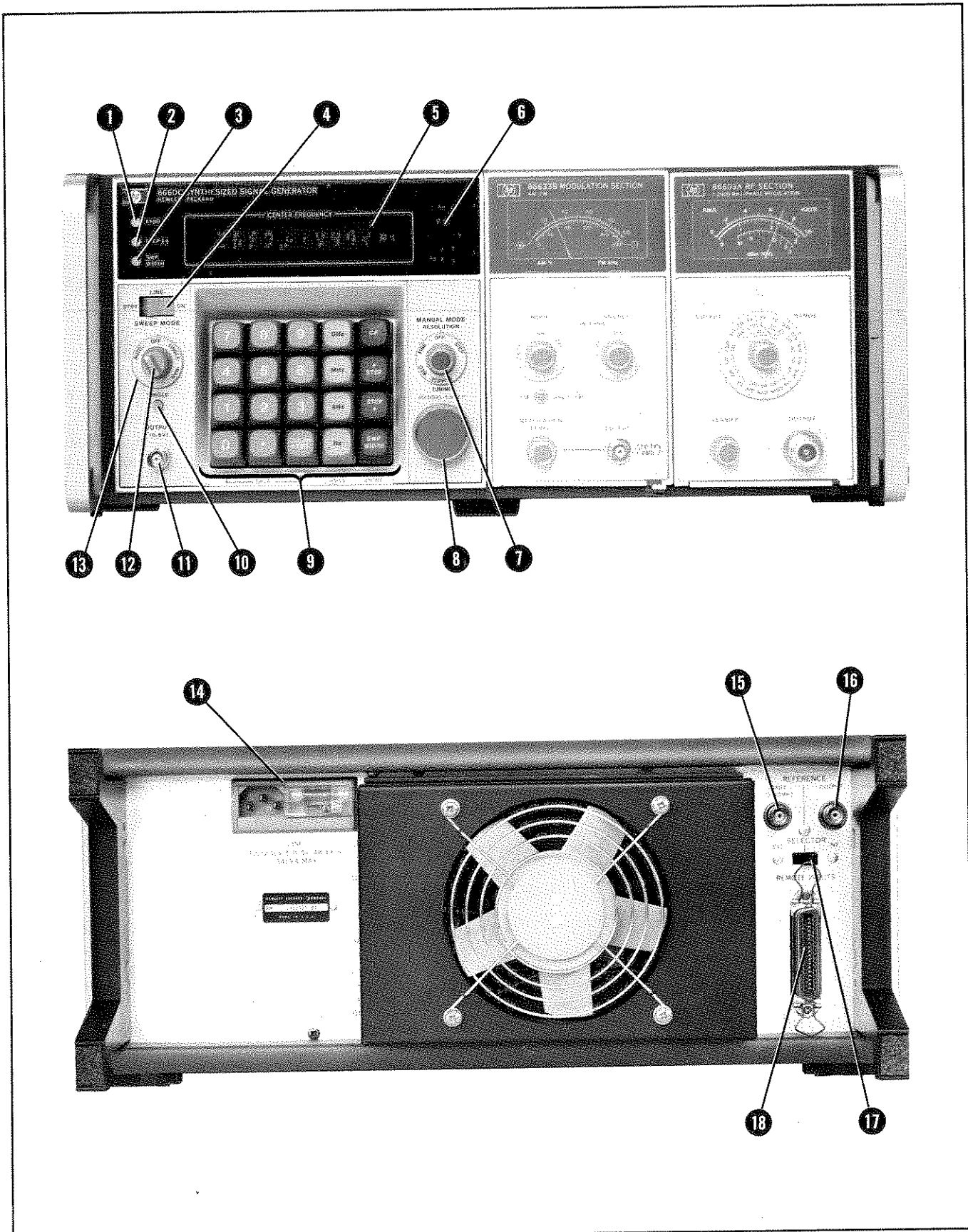


Figure 3-1. Front and Rear Panel Controls, Indicators and Connectors (1 of 2)

- 1 **KYBD pushbutton.** When pressed, causes the information stored in the keyboard storage register to be displayed on the CENTER FREQUENCY readout.
- 2 **STEP pushbutton.** When pressed, causes the information stored in the step storage register to be displayed on the CENTER FREQUENCY readout.
- 3 **SWP WIDTH pushbutton.** When pressed, causes the information stored in the sweep width storage register to be displayed on the CENTER FREQUENCY readout.
- 4 **LINE STBY – ON switch.** In the STBY position, with the instrument connected to the ac line source, the reference oscillator oven temperature is maintained at the operating temperature to avoid the necessity of allowing for a warm up period each time the instrument is used.
- 5 **CENTER FREQUENCY readout.** Normally displays the output center frequency of the RF Section.
- 6 **ANNUNCIATOR.** Provides visual display of mode of operation, crystal oven temperature and out of range frequency selection.
- 7 **MANUAL MODE RESOLUTION.** Works in conjunction with the TUNING control to step the rf output in steps of 1 Hz (FINE), 1 kHz (MED) and 1 MHz (COARSE). In the STEP position the TUNING control steps the rf output frequency by the step stored in the step register.
- 8 **TUNING – MANUAL SWEEP.** Works as specified in the MANUAL MODE RESOLUTION description. May also be used to set the rf output to any point within the limits stored in the sweep register when the SWEEP MODE switch is set to MAN.
- 9 **Keyboard.** Contains 20 keys which are used to enter data or instructions as follows:
  - Numerals 0 through 9
  - Decimal Point (.)
  - CLEAR KYBD. Clears keyboard register (does NOT clear other registers).
  - GHz, MHz, kHz and Hz select frequency in conjunction with numeric keys.
  - CF. Transfers keyboard storage register data to the center frequency register.
  - STEP. ↑ Transfers keyboard storage register data to the step register and steps the center frequency up. May also be used to step the frequency up by the step stored in the step register without a new keyboard entry.
  - STEP. ↓ Same as STEP ↑ except that frequency is stepped down.
  - SWP WIDTH. Transfers the data in the keyboard storage register to the sweep register.
- 10 **SINGLE pushbutton.** In the SINGLE mode, when pressed, causes the rf output to be swept, one time only, across the range stored in the sweep register, at a speed determined by the RATE switch.
- 11 **OUTPUT (0 to +8V).** Provides a sweep ramp for use in external equipment (oscilloscopes, X-Y recorders, etc.) when operating in the swept mode.
- 12 **RATE switch.** The rate switch selects sweep rates as follows: FAST – 100 steps at 1 millisecond per step, MED – 1000 steps at 1 millisecond per step, and SLO – 1000 steps at 50 milliseconds per step.
- 13 **SWEEP MODE switch.** With the sweep mode switch in the AUTO position sweep operation is automatic; the output rf is swept about the center frequency by the data stored in the sweep register at the rate selected by the RATE switch. In the SINGLE mode the rf output is swept once each time the SINGLE pushbutton is pressed. In the MAN mode the sweep is controlled by the MANUAL TUNE control and the data stored in the sweep register.
- 14 **LINE MODULE.** Contains a means of switching input line voltage to 100/120/220/240 Vac +5% –10%, fuse, line cable connector and filtering. NOTE: the cabinet (earth) ground is also applied through the line module.
- 15 **REFERENCE INPUT.** Used when an external standard of 5 or 10 MHz is used.
- 16 **REFERENCE OUTPUT.** Provides the capability of using the internal reference as a time base in external equipment.
- 17 **SELECTOR.** Selects INT or EXT reference.
- 18 **REMOTE INPUTS.** When the instrument is operated in the remote mode (pin 5 of this connector is grounded by the programming device), all functions of the instrument are controlled by the remote programming device. Front panel controls (except for LINE STBY-ON) have no effect on operation of the instrument.

Figure 3-1. Front and Rear Panel Controls, Indicators and Connectors (2 of 2)

paragraph 3-18 for further details of incremental step operation.

### 3-13. Operating Modes

**3-14. Sweep.** In the sweep mode the sweep width is selected by the keyboard. The sweep width may be displayed on the CENTER FREQUENCY readout by pressing the SWP WIDTH pushbutton to the left of the readout. Only the center frequency is shown in the AUTO or SINGLE SWEEP modes. In the MAN sweep mode the actual RF output frequency of the RF Section will be displayed.

**3-15.** When the SWEEP MODE switch is placed in the AUTO position the output signal of the RF Section is swept about the selected center frequency by the selected sweep width. (Example: center frequency 50 MHz, sweep width 20 MHz, the RF output is swept from 40 to 60 MHz.) The sweep rate, selected by the RATE switch is as follows: FAST — 100 steps at 1 millisecond per step, MED — 1000 steps at 1 millisecond per step and SLO — 1000 steps at 50 milliseconds per step.

**3-16.** When the SWEEP MODE switch is placed in the SINGLE position, pressing the SINGLE pushbutton causes the output of the RF Section to be swept one time. When the single sweep is completed, the output of the RF Section returns to the selected center frequency. The sweep width and sweep rate are selected in the same manner as they are in the AUTO mode.

**3-17.** When the SWEEP MODE switch is placed in the MAN position the step rate of the output frequency of the RF Section may be manually controlled by the MANUAL SWEEP control. In this mode the sweep width is still controlled by the information in the sweep register. The selected sweep width, in this mode, is divided by 1000 and the output of the RF Section may be controlled in frequency steps that are 1/1000 of the sweep width. (Example: center frequency 50 MHz, sweep width 20 MHz, output may be swept manually from 40 to 60 MHz in 20 kHz steps.)

**3-18. Step.** The center frequency may be stepped up or down, in any increment within the frequency range of the RF Section in use. The increment selected, including units, must be entered in the keyboard before the STEP ↑ or STEP ↓ key is pressed. The step entered into the step register remains in the register until changed (or the instrument is placed; in the standby mode) and may

be displayed on the readout by pressing a STEP pushbutton.

**3-19.** When the MANUAL SWEEP control, a Rotary Pulse Generator, is used to control the STEP mode, the size of the step is determined by the information stored in the STEP register.

**3-20. Manual.** Manual mode operation is essentially the same as the step mode except that increments selected by the MANUAL MODE switch are 1 Hz (FINE), 1 kHz (MED) and 1 MHz (COARSE). These increments are controlled only by the TUNING control when the MANUAL MODE switch is placed in the selected position.

**3-21. Combined.** The sweep mode, step mode and manual mode may all be used simultaneously except for Manual Sweep which locks out the Manual Tuning Mode. This feature allows the user to quickly determine the frequency parameters of any device being tested.

### 3-22. Operator's Checks

#### NOTE

*If the instrument is returned for service, be sure to attach a blue repair tag (located at the end of this manual) with failure information.*

**3-23.** During final checkout at the factory the Model 8660C Synthesized Signal Generator mainframe is adjusted for proper operation. No adjustments should be required when the instrument is received. The operator's checks listed in Table 3-1 are based on the assumption that properly operating RF Sections and Modulation Sections are in place during the tests. Refer to the manuals for the specific plug-ins for operating parameters.

**3-24.** The steps listed in Table 3-1 need not be followed in the sequence listed. Their purpose is to aid the operator in familiarizing himself with the instrument, and to provide assurance that all functions of the instrument are operating properly.

#### NOTE

1. Numbers shown in the "Result" column of Table 3-1 are those which should be displayed on the CENTER FREQUENCY readout.
2. Any operator's checks specified in the plug-in Manuals should also be performed.

### 3-25. Modulator Units

**3-26.** Since the modulator plug-ins are not affected by the mainframe except for digital control

Table 3-1. Operator's Checks (1 of 4)

| Step   | Operation   | Result   |
|--|---|--|
| <p><b>NOTE</b></p> <p><i>All references to CF or other readouts are displayed on the mainframe CENTER FREQUENCY readout.</i></p> |   |  |
| <p>1<br/>1-a<br/>1-b<br/><br/>1-c</p>  | <p>Initial turn-on.</p> <p>Set the rear panel line select switch in the power line module to be compatible with the available line power.</p> <p>Connect the instrument to the power outlet; use ground pin adapter for electrical systems having no ground outlet.</p> <p style="text-align: center;"><b>NOTE</b></p> <p><i>The instrument should remain connected to the power source in the STBY (standby) mode when not in use. This will maintain constant temperature in the crystal oven and eliminate the need for a warmup period.</i></p> <p>Place the LINE STBY/ON switch in the ON position.<br/>Allow the system to warm up for 15 minutes before operating.</p> | <p>Cooling fan starts.<br/>CF 1.000000 MHz.</p>  |
| <p>2<br/>2-a<br/><br/>2-b<br/><br/>2-c<br/>2-d<br/>2-e</p>   | <p>Keyboard Register and Readout Checks.</p> <p>Hold in KYBD pushbutton and enter 1.234567890. Note that readout input steps from right to left.</p> <p>With KYBD pushbutton held in:<br/>Press GHz key<br/>Press MHz key<br/>Press kHz key<br/>Press Hz key</p> <p>Release KYBD pushbutton</p> <p>Press KYBD pushbutton</p> <p>With KYBD pushbutton held in:<br/>Press kHz key<br/>Press MHz key<br/>Press GHz key<br/>Press CLEAR KYBD key</p>  | <p>Units lights (GHz, MHz, kHz, Hz) are off.1.234567890</p> <p>1.234567890 GHz<br/>1.234567 MHz<br/>1.234 kHz<br/>1 Hz</p> <p>1.000000 MHz</p> <p>1 Hz</p> <p>1.000 kHz<br/>1.000000 MHz<br/>1.00000000 GHz<br/>0000000000</p> |
| <p>3<br/>3-a<br/>3-b<br/>3-c<br/>3-d<br/><br/>3-e</p>  | <p>Step <math>\uparrow\downarrow</math> register and OUT OF RNG Annunciator Check with the 86601A RF Section.</p> <p>Enter 109.000000 MHz CF on keyboard.<br/>Enter 111111 Hz STEP <math>\uparrow</math> on keyboard</p> <p>Press the KYBD pushbutton<br/>Release the KYBD pushbutton</p> <p>Press the STEP <math>\uparrow</math> key until the readout shows.<br/>Note that readout has increased in steps of 111111 Hz.</p> <p>Press the STEP <math>\uparrow</math> key one more time.</p> <p>Place the MANUAL MODE switch in the STEP position and turn the TUNING control counterclockwise. Place the MANUAL MODE switch in the OFF position.</p>                         | <p>109.000000 MHz<br/>109.111111 MHz<br/>111111 Hz<br/>109.111111 MHz<br/>109.999999 MHz</p> <p>109.999999 MHz<br/>OUT OF RNG<br/>light flashes once.</p> <p>Readout decreases in 111111 Hz steps.</p>                         |

Table 3-1. Operator's Checks (2 of 4)

| Step | Operation  | Result  |
|------|--|---|
| 3-f  | Enter 10 kHz CF on the keyboard<br>Enter 1 Hz STEP ↑ on the keyboard<br>Press STEP pushbutton<br>Press STEP ↓ key twice<br><br>With the Model 86601A RF Section the specified lower frequency limit is 10 kHz.<br><br><p style="text-align: center;"><b>NOTE</b></p> <i>The Model 86601A RF Section lower frequency limit is specified at 10 kHz. The output frequency is accurate down to 1 Hz and the output power level is typically accurate down to 3 kHz or less. However, the output signal should be considered unusable below 1.5 kHz.</i>  | 10.000 kHz<br>10.001 kHz<br>1 Hz<br>9.999 kHz<br><br>OUT OF RNG light stays on.   |
| 3-g  | Enter 3 kHz CF on the keyboard<br>Enter 100 Hz STEP ↓<br>Repeatedly press the STEP ↓ key. Note that the CF readout decreases in 100 Hz steps. The RF output level will typically start to drop below 2 kHz.  | 3.000 kHz<br>2.900 kHz<br>OUT OF RNG light on   |
| 4    | STEP ↑ ↓ register and OUT OF RNG annunciator check with the 86602A RF Section.<br><br>4-a Enter 1200.000000 MHz CF on keyboard.<br>Enter 11.111111 MHz STEP ↑ on keyboard.<br><br>4-b Press KYBD pushbutton<br>Release KYBD pushbutton<br><br>4-c Continue pressing STEP ↑ key until readout displays:<br><br>4-d Press the STEP ↑ key one more time.<br><br>4-e Set the MANUAL MODE switch to the STEP position and turn the TUNING CONTROL counterclockwise.<br><br>4-f Enter 1 MHz CF on the keyboard<br>Enter 1 Hz STEP ↑ on the keyboard<br>Press STEP pushbutton<br>Press STEP ↓ on keyboard twice | 1200.000000 MHz<br>1211.111111 MHz<br><br>11.111111 MHz<br>1211.111111 MHz<br><br>1299.999999 MHz<br><br>1299.999999 MHz<br>OUT OF RNG light flashes once.<br><br>Readout decreases in 11.111111 MHz steps.<br><br>1.000000 MHz<br>1.000001 MHz<br>1 Hz<br>OUT OF RNG light stays on. |
| 5    | STEP ↑ ↓ register and OUT OF RNG annunciator check with the 86603A RF Section.<br><br>5-a Enter 2500.000000 MHz CF on keyboard<br>Enter 11.111111 MHz STEP ↑ on keyboard<br><br>5-b Press KYBD pushbutton<br>Release the KYBD pushbutton<br><br>5-c Continue pressing STEP ↑ key until readout displays:<br><br><p style="text-align: center;"><b>NOTE</b></p> <i>The frequency increase alternates between 11.111110 and 11.111112 MHz due to the 2 Hz resolution of center frequencies ≥ 1300 MHz).</i>  | 2500.000000 MHz<br>2511.111110 MHz<br><br>11.111111 MHz<br>2511.111110 MHz<br><br>2599.999998 MHz   |



Table 3-1. Operator's Check (3 of 4)

| Step | Operation   | Result   |
|------|---|--|
| 5-d  | Press the STEP ↑ key one more time  | 2599.999998 MHz<br>OUT OF RNG light flashes once.  |
| 5-e  | Set the MANUAL MODE switch to the STEP position and turn the TUNING CONTROL counterclockwise.   | The readout decrease is in 11.111110 or 11.111112 MHz steps (to a minimum of .000025 MHz). |
| 5-f  | Enter 1 MHz CF on the keyboard<br>Enter 1 Hz STEP ↑ on the keyboard<br>Press STEP pushbutton<br>Press STEP ↓ on keyboard twice  | 1.000000 MHz<br>1.000001 MHz<br>1 Hz<br>.999999 MHz<br>OUT OF RNG light stays on.          |
| 6    | MANUAL MODE — MANUAL TUNING Check (With 86601A)<br><br><b>NOTE</b><br><i>The upper frequency limit for 86602A/B RF Section is 1299.999999 MHz; for 86603A, 2599.999998 MHz</i>  |  |
| 6-a  | Set the SWEEP MODE switch to OFF and enter 0 MHz CF   | .000000 MHz and<br>OUT OF RNG light is on.   |
| 6-b. | Set the MANUAL MODE switch to COARSE and rotate the TUNING control clockwise until the readout indicates:<br>Note that the readout steps in 1 MHz increments.   | 109.000000 MHz   |
| 6-c  | Set the MANUAL MODE switch to MED and rotate the TUNING control clockwise until the readout indicates:<br>Note that the readout steps in 1 kHz increments.  | 109.999000 MHz   |
| 6-d  | Set the MANUAL MODE switch to FINE and rotate the TUNING control clockwise until the readout indicates:<br>Note that the readout steps in 1 Hz increments.<br><br><b>NOTE</b><br><i>The OUT OF RNG light flashes on when the RF Section upper frequency limit is passed. The system rejects overrange frequencies and the CF register retains the last valid entry.</i> | 109.999999 MHz   |
| 7    | Sweep Mode Checks with 86601A RF Section.<br><br><b>NOTE</b><br><i>Proper operation of the instrument in the sweep mode is best verified with a spectrum analyzer. However, operation of the sweep function can be verified by front panel indications as described in steps 7-a and 7-b.</i>   |  |
| 7-a. | Set CF to 5 kHz and SWP WIDTH to 10 kHz. Place the SWEEP MODE switch in the AUTO position and the RATE switch in the SLO position.  | SWEEP and OUT OF RNG lights on. RF Output meter level drops every 50 seconds.              |

Table 3-1. Operator's Check (4 of 4)

| Step | Operation   | Result  |
|------|---|---|
| 7-b  | Set CF to 10 kHz. Other functions as in step 7-a.   | SWEEP LIGHT remains lit. OUT OF RNG light alternates, 25 seconds on, 25 off.  |
| 7-c  | Connect the RF output to the RF INPUT of the spectrum analyzer. Enter 10 MHz CF and 10 MHz SWP WIDTH and SWEEP MODE to AUTO. Position the RATE switch to MED and adjust the spectrum analyzer for a clear display. Enter 5 MHz STEP and step the frequency across the RF range. | Readout increases in 5 MHz steps. Sweep continues to be 5 MHz on each side of the CF.   |
| 8    | Sweep Mode Checks with 86602A, 86602B or 86603A RF Sections.  |   |
| 8-a  | Set CF to 5 MHz<br>Set SWP WIDTH to 10 MHz<br>Set SWEEP MODE to AUTO and RATE switch to SLO   | 5.000000 MHz<br>5.000000 MHz<br>5.000000 MHz<br>OUT OF RNG light flashes every 50 s.<br>RF Section meter also dips. SWEEP light remains on. |
| 8-b  | Set CF to 1 MHz   | 1.000000 MHz<br>SWEEP light on.<br>OUT OF RNG light on every 25 s.  |
| 8-c  | Set CF to 5 MHz on keyboard.<br>Set SWEEP RATE switch to MED  | 5.000000 MHz<br>OUT OF RNG light flashes on at 1 s rate.  |
| 9    | Manual Sweep Check  |   |
| 9-a  | Enter 50 MHz CF and 10 MHz SWP WIDTH.<br>Place the SWEEP MODE switch in the MAN position. Rotate the MANUAL SWEEP control through its range.  | CF is tuneable from 45 to 55 MHz.   |
| 10   | Single Sweep Check  |   |
| 10-a | Enter 50 MHz CF and 20 MHz SWP WIDTH and place the SWEEP MODE switch in the SINGLE position. Press the SWP WIDTH pushbutton. Connect the RF output to the RF INPUT of the spectrum analyzer to display the 50 MHz signal. Press the SINGLE pushbutton.                          | 50.000000 MHz<br>20.000000 MHz<br>Spectrum analyzer display is swept once from 40 to 60 MHz.  |

voltages, operator's checks for the modulators are not included in Table 3-1. Refer to the individual manuals for the modulator plug-in in use for applicable operator's checks.

### 3-27. RF Units

3-28. Many of the tests specified in Table 3-1 do not apply specifically to an RF Section. Those checks which are not referred to a specific RF Section apply equally to the Model 86601, 86602, and the 86603. When procedures apply to specific RF Sections only, this information is conveyed following the procedure.

#### NOTE

*Most of the programming tables in this section apply equally to local and remote modes.*

### 3-29. REMOTE OPERATION

3-30. There are currently two means of remotely programming the Model 8660C. They are BCD (Binary Coded Decimal) and HP-IB (Hewlett-Packard Interface Bus). In the text which follows, programming and other requirements which are common to both means will be discussed first, then BCD requirements, and finally HP-IB requirements.

#### 3-31. General Programming Requirements

3-32. There are several conventions which must be observed when remotely controlling the Model 8660C. Besides providing data with the least significant digit first, these conventions include:

a. All output levels are referenced to +13 dBm. This reference operation involves subtracting 13 from the desired output level.

b. There are three separate modulation parameters which may be programmed; source, type and %. Source and type are combined into one number (source is the least significant digit).

c. When in the remote mode, all front panel controls except the LINE STBY/ON and FM CAL controls are inhibited.

d. Digital sweep may not be operated in the remote mode of operation.

e. When changing from the local to the remote mode of operation the temporary storage

register should be cleared before a remote entry is made.

f. The data level inputs to the Model 8660C are as follows: approximately 0 volts (TTL LOW) = 1 and approximately 2.8V (TTL HIGH) = 0 (sometimes referred to as negative or ground true logic).

#### 3-33. BCD Remote Operation

3-34. The following information pertaining to BCD programming, does not apply to HP-IB programming.

3-35. In BCD remote operation two four-bit parallel codes are applied to the instrument circuits through a rear panel connector (J3). These inputs, if numeric data, are converted to BCD digit serial information and clocked into a temporary storage register. If the inputs are address information they are clocked into a temporary storage register. If the inputs are address information they are used to direct a clock to strobe the data from the temporary storage register into the desired final storage register.

3-36. When all of the significant data entries have been stored in the temporary storage registers, the least significant digit is stored in a position to allow it to be the first digit strobed out, then the next least significant digit, etc, so that the information will be stored in the appropriate register in the same sequence in which it was received.

3-37. Operation of the storage registers not located in the Model 8660C mainframe is detailed in the manuals for the plug-in sections. Table 3-3 provides examples of programming the registers which may be programmed when the Model 8660C mainframe is used.

3-38. Refer to Figures 3-2 and 3-3 for timing information and to Table 3-5 for interconnection information.

#### NOTE

*Although it is not necessary to program frequency first, then modulation (if any), then attenuation, this sequence minimizes the time required for entering data.*

3-39. **Data Inputs.** Data inputs (logic 1=0) must be referenced to the command pulse as shown in

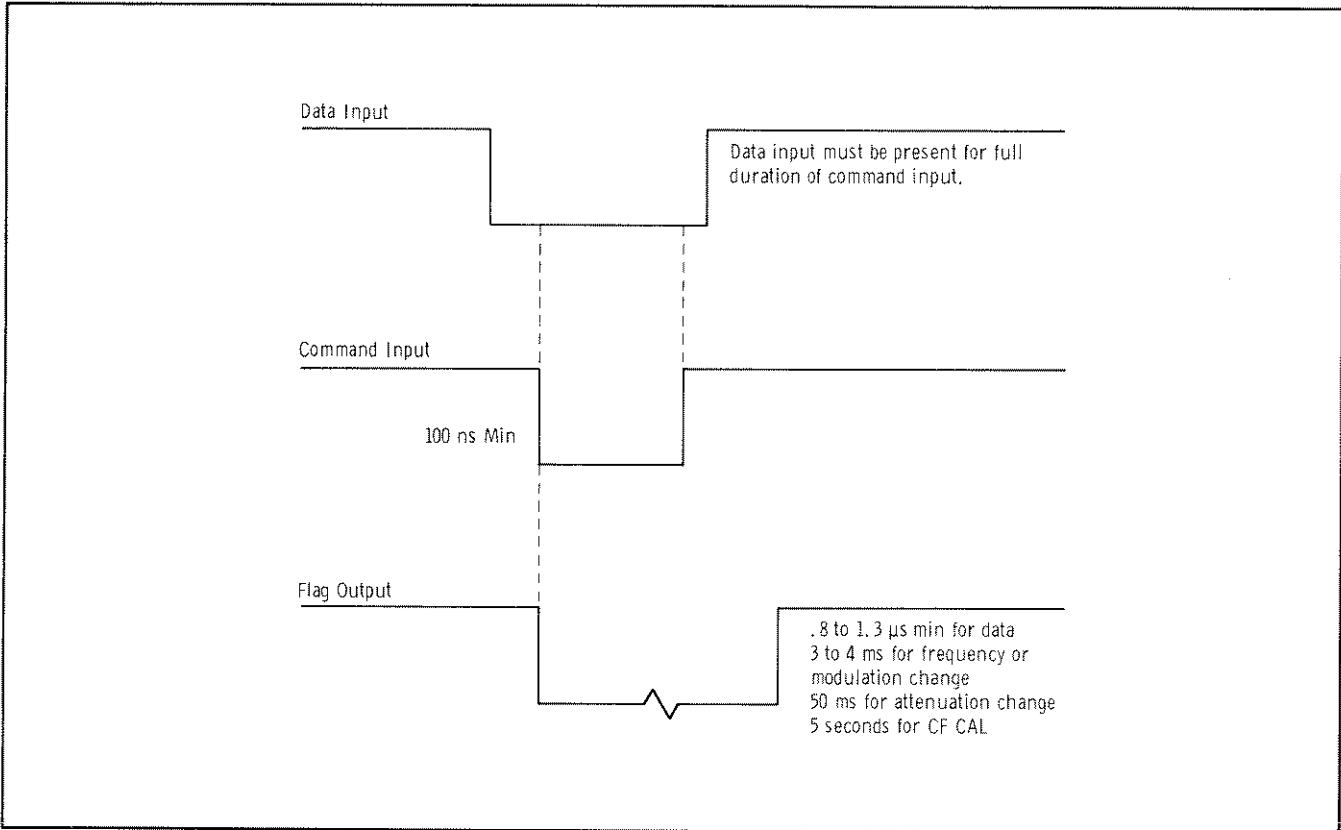


Figure 3-2. Model 8660C Data Input Timing

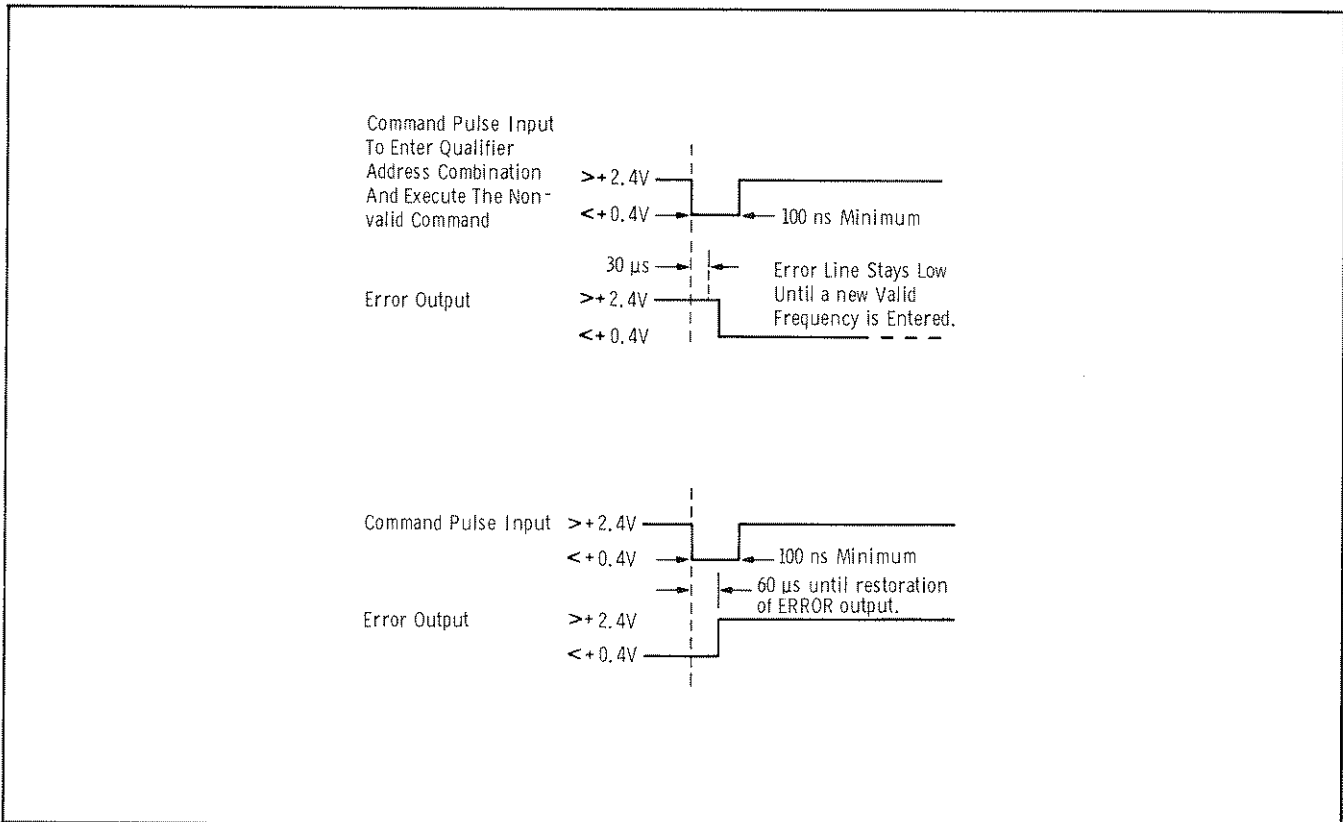


Figure 3-3. Model 8660C Error Output Timing

Figure 3-2. The data inputs may be terminated after the command pulse trailing edge.

3-40. The command pulse causes the input data to be stored in the temporary storage register or, if the data input is an address, to be stored in one of the final storage registers. These pulses are logic 1 (0V) pulses of 100 nanoseconds minimum width, maximum frequency of 500 kHz. Pulses for low transfer frequencies may be wider if consistent with the duty cycle. The leading edge must have a fall time of 100 nanoseconds or less. Transfer occurs on the leading edge of the pulse. Note that data must be held until the command pulse terminates. The flag signal is also initiated by the falling (leading) edge of the command pulse.

3-41. **Flag Signal.** The flag signal indicates receipt and execution of the command pulse from the remote programming device. The flag signal will be logic 1 (0V). Duration of the signal will depend on the function programmed.

3-42. **Error Signal.** Indicates frequency out of range or crystal oven temperature is not stabilized. The error signal will be at a logic 1 (0V) for the period of the function error (see Figure 3-3).

3-43. **Reset.** Controls the DCU circuits in the same manner as the DCU power detect circuit does when the instrument is first turned on. It also initializes circuitry and resets the data registers. Requires a logic 1 (0V) level which may be as short as 5 microseconds.

**NOTE**

*When switching from remote to local operation clear the keyboard before making an entry.*

**3-44. HP-IB Remote Operation**

3-45. HP-IB (Hewlett-Packard Interface Bus) is a general purpose interface system. Although the

Table 3-2. Storage Register Addresses

| Name of Register           | Address<br>0=High, 1=Low | Location                   | Function  |
|----------------------------|--------------------------|----------------------------|---|
| Center Frequency           | 0000 (0)                 | Mainframe                  | To set Center Frequency                                       |
| Step ↑                     | 0001 (1)                 | Mainframe DCU              | To step center frequency up in any increment                  |
| Step ↓                     | 0010 (2)                 |                            | To step center frequency down in any increment                |
| Attenuator                 | 0011 (3)                 |                            | RF Section plug-in  |
| AM-FM Function             | 0100 (4)                 | Modulation Section plug-in | Selects Modulation Function                                   |
| AM-FM%                     | 0101 (5)                 | Modulation Section plug-in | *Selects AM % of Modulation or FM Deviation                   |
| FM CAL 86635 or 86632 only | 0110 (6)                 | Modulation Section plug-in | Phase locks 20 MHz FM oscillator to the reference loop 20 MHz |

\*The 86632B and the 86635A require inputs of one half of the desired deviation in remote mode.

Table 3-3. Model 8660C Programming Examples (1 of 3)

| EXAMPLE 1. Set 100.000000 MHz Center Frequency (CF)  |  |                    |                |
|--|--|--------------------|----------------|
| Input  |  | Temporary Register | CF Register    |
| 0=High   | 1=Low  |                    |                |
| Data:  | D <sub>1</sub> 0001 (1) D <sub>2</sub> 0000 (0)  | 00 00 00 00 00     | Last Input     |
| Temporary Command  |  | 01 00 00 00 00     | Last Input     |
| Address:   | D <sub>1</sub> 1111 (15) D <sub>2</sub> 0000 (0) | 01 00 00 00 00     | Last Input     |
| Transfer Command   |  | 00 00 00 00 00     | 01 00 00 00 00 |
| EXAMPLE 2. Set 107.654321 MHz Center Frequency (CF)  |  |                    |                |
| Input  |  | Temporary Register | CF Register    |
| 0=High   | 1=Low  |                    |                |
| Data:  | D <sub>1</sub> 0001(1) D <sub>2</sub> 0010 (2)   | 00 00 00 00 00     | Last Input     |
| Temporary Command  |  | 21 00 00 00 00     | Last Input     |
| Data:  | D <sub>1</sub> 0011 (3) D <sub>2</sub> 0100 (4)  | 21 00 00 00 00     | Last Input     |
| Temporary Command  |  | 43 21 00 00 00     | Last Input     |
| Data:  | D <sub>1</sub> 0101 (5) D <sub>2</sub> 0110 (6)  | 43 21 00 00 00     | Last Input     |
| Temporary Command  |  | 65 43 21 00 00     | Last Input     |
| Data:  | D <sub>1</sub> 0111 (7) D <sub>2</sub> 0000 (0)  | 65 43 21 00 00     | Last Input     |
| Temporary Command  |  | 07 65 43 21 00     | Last Input     |
| Address:   | D <sub>1</sub> 1111 (15) D <sub>2</sub> 0000 (0) | 01 07 65 43 21     | Last Input     |
| Transfer Command   |  | 00 00 00 00 00     | 01 07 65 43 21 |
| EXAMPLE 3. Set 120 dB Attenuation (RF SECTION) Below +13 dBm (1 volt)                          |  |                    |                |
| Input  |  | Temporary Register | Atten Register |
| 0=High   | 1=Low  |                    |                |
| Data:  | D <sub>1</sub> 0010 (2) D <sub>2</sub> 0001 (1)  | 00 00 00 00 00     | Last Input     |
| Temporary Command  |  | 12 00 00 00 00     | Last Input     |
| Address:   | D <sub>1</sub> 1111 (15) D <sub>2</sub> 0011 (3) | 12 00 00 00 00     | Last Input     |
| Transfer Command   |  | 00 00 00 00 00     | 120            |
| NOTE   |  |                    |                |
| The attenuator is a three-digit register; only the three most significant digits are retained. |  |                    |                |

Table 3-3. Model 8660C Programming Examples (2 of 3)

| EXAMPLE 4. Set 7 dB Attenuation (RF SECTION) Below +13 dBm (1 volt)  |  |                    |   |
|--|--|--------------------|---|
| Input<br>0=High      1=Low   |  | Temporary Register | Atten Register  |
| Data:  | D <sub>1</sub> 0000 (0) D <sub>2</sub> 0111 (7)  | 00 00 00 00 00     | Last Input  |
| Temporary Command  |  | 70 00 00 00 00     | Last Input  |
| Data:  | D <sub>1</sub> 0000 (0) D <sub>2</sub> 0000 (0)  | 70 00 00 00 00     | Last Input  |
| Temporary Command  |  | 00 70 00 00 00     | Last Input  |
| Address:   | D <sub>1</sub> 1111 (15) D <sub>2</sub> 0011 (3) | 00 70 00 00 00     | Last Input  |
| Transfer Command   |  | 00 00 00 00 00     | 007   |
| See note for Example 3   |  |                    |   |
| EXAMPLE 5. Shut off Modulation (MODULATION SECTION)                  |  |                    |   |
| Input<br>0=High      1=Low   |  | Temporary Register | Function Register                                       |
| Address:   | D <sub>1</sub> 1111 (15) D <sub>2</sub> 0100 (4) | 00 00 00 00 00     | Last Input  |
| Transfer Command   |  | 00 00 00 00 00     | 00  |
| NOTE: All digits are zero - no modulation                            |  |                    |   |
| EXAMPLE 6. Set 3% AM Modulation, Internal 1 kHz (MODULATION SECTION) |  |                    |   |
| Input<br>0=High      1=Low   |  | Temporary Register | AM-FM % Register  |
| Data:  | D <sub>1</sub> 0011 (3) D <sub>2</sub> 0000 (0)  | 00 00 00 00 00     | Last Input  |
| Temporary Command  |  | 03 00 00 00 00     | Last Input  |
| Address:   | D <sub>1</sub> 1111 (15) D <sub>2</sub> 0101 (5) | 03 00 00 00 00     | Last Input  |
| Transfer Command   |  | 00 00 00 00 00     | 03 into % Storage                                       |
| Data:  | D <sub>1</sub> 0001 (1) D <sub>2</sub> 1000 (8)  | 00 00 00 00 00     |   |
| Temporary Command  |  | 81 00 00 00 00     |   |
| Address:   | D <sub>1</sub> 1111 (15) D <sub>2</sub> 0100 (4) | 81 00 00 00 00     |   |
| Transfer Command   |  | 00 00 00 00 00     | 81 into AM-FM<br>Function Register<br>Sets AM and 1 kHz |
| NOTE: See Table 3-4. for AM-FM Function Register Codes               |  |                    |   |

Table 3-3. Model 8660C Programming Examples (3 of 3)

| EXAMPLE 7. Set 10 MHz STEP ↑      |                         |                    |                |
|-----------------------------------|-------------------------|--------------------|----------------|
| Input<br>0=High      1 = Low      |                         | Temporary Register | INCR Register  |
| Data: D <sub>1</sub> 0000 (0)     | D <sub>2</sub> 0001 (1) | 00 00 00 00 00     | Last Input     |
| Temporary Command                 |                         | 10 00 00 00 00     | Last Input     |
| Data: D <sub>1</sub> 0000 (0)     | D <sub>2</sub> 0000 (0) | 10 00 00 00 00     | Last Input     |
| Temporary Command                 |                         | 00 10 00 00 00     | Last Input     |
| Address: D <sub>1</sub> 1111 (15) | D <sub>2</sub> 0001 (1) | 00 10 00 00 00     | Last Input     |
| Transfer Command                  |                         | 00 00 00 00 00     | 00 10 00 00 00 |

Table 3-4. AM - FM Function Register Coding

| DIGIT 2 (D <sub>2</sub> )<br>0=High      1=Low |           | DIGIT 1 (D <sub>1</sub> )<br>0=High      1=Low |                        |
|--|-----------|--|------------------------|
| ØM   | 1100 (12) | EXT. AC (UNLEVELED)                            | 1001 (9)<br>86633 only |
| FM X .1  | 0100 (4)  | EXT. DC  | 0100 (4)               |
| FM X 1   | 0010 (2)  | INT. 400 Hz                                    | 0010 (2)               |
| FM X 10  | 0001 (1)  | INT. 1 kHz                                     | 0001 (1)               |
| OFF  | 0000 (0)  |  |                        |

Table 3-5. Programming Connections to J3

| J3 Pin No. | To A3XA5 Pin No. | Signal      | Other        |
|------------|------------------|-------------|--------------|
| 1          |                  |             | To J3 pin 18 |
| 3          | 2                | Error       |              |
| 5          | 5                | LCL-RMT     |              |
| 9          | 11               | Command     |              |
| 13         | 15               | Digit 1 - 8 |              |
| 14         | 16               | Digit 1 - 4 |              |
| 15         | 17               | Digit 1 - 2 |              |
| 16         | 18               | Digit 1 - 1 |              |
| 17         | A                | Flag (Busy) |              |
| 24         | J                | Reset       |              |
| 28         | S                | Digit 2 - 8 |              |
| 29         | T                | Digit 2 - 4 |              |
| 30         | U                | Digit 2 - 2 |              |
| 31         | V                | Digit 2 - 1 |              |
| 36         |                  |             | Ground       |

J3 pins not listed are also wired to A3XA5. See the rear interface board schematic diagram for wiring information.



HP-IB uses many of the operational parameters (coding, handshake, etc.), the terms HP-IB and ASCII should not be used interchangeably because they are not completely compatible.

3-46. The HP-IB interface systems use seventeen lines to effect the transfer of data between the instruments connected to the bus. Eight of these lines are used for the actual transfer of data, one line is ground and the remaining eight lines are used for control.

3-47. Table 3-6 illustrates the HP-IB bus interface line designations. The ground line, being self-explanatory, is not shown.

3-48. The structure and operation of the bus is analogous to an old-fashioned party line, and many of the conventions which apply to a party line apply to the HP-IB interface as well. For instance, at any given time only one person may talk on the party line, while many people may listen, and most will not be using the party line at all.

3-49. Similarly, on the HP-IB interface, only one instrument may talk (send data) at any given time, although many instruments may listen (receive data), and most instruments will not interact with the bus at all.

3-50. In order to determine which instruments are to "talk", which are to "listen", and which are to remain inactive, some sort of a controller is required. This controller, which might be a calculator, assigns functions to the various instruments by sending data over the eight lines to all instruments. Any instrument becomes a listener when its listen address is placed on the bus and remains a listener until the "unlisten" command is transmitted. Talkers, on the other hand, stop functioning as talkers whenever another talk address is put on the data lines. This prevents more than one device from talking at any given time.

3-51. In order for the instrument to distinguish between data and addresses, both of which are sent over the eight data lines, an "address mode/data mode" selector called the Multiple Response Enable (MRE) line is driven by the controller. When this line is low, all instruments listen to the eight data lines and interpret the information being transmitted by the controller as addresses. When the MRE line is high, information on the eight data lines is interpreted as data and the instruments talk, listen or remain inactive as determined during the time they were addressed when MRE was low.

**3-52. Three-Wire Handshake.** Information, whether addresses, measurement results, or other data is transferred on the data lines under control of a technique called the three-wire handshake. The handshake involves the use of three control lines, and operates as follows:

a. A listener indicates that it is ready to accept data by letting the Ready for Data (RFD) line go high. Listeners are connected to the RFD line in a logical AND configuration so the RFD line does not go high until all active listeners are ready for data.

b. After RFD has gone high, the talker indicates that it has placed a data byte on the eight data lines by setting the Data Valid (DAV) line low.

c. After DAV has gone low, each listener pulls RFD low, accepts the data, and then lets the data accepted (DAC) line go high. Again, all listeners are logically ANDed and DAC does not go high until all listeners have accepted the data.

d. After the DAC line has gone high, the talker can let DAV go high again and take the data off the lines. When DAV goes high, the listeners set DAC back to low and the sequence is ready to repeat with step 1 of Figure 3-4.

3-53. As can be seen from the description, data transfer is asynchronous, proceeding only as fast as the slowest active (addressed to talk or listen) device on the line.

#### NOTE

*Figure 3-4 illustrates a flow chart of the three-wire handshake operation.*

3-54. The four remaining control lines operate as follows:

a. The Remote Enable (REN) line allows the controller to put all instrument on the bus in the remote mode. When this line is low, all instruments will go into remote as soon as they are addressed, and remain in remote until the line goes high again.

b. The End Output (EOP) line, when pulled low by the system controller, will halt all activity on the bus and cause all instruments to unaddress themselves.

Table 3-6. HP-IB Interface Lines

|  | <u>Name</u>              | <u>Abbreviation</u> | <u>Description</u>   |
|--|--------------------------|---------------------|--|
| D<br>A<br>T<br>A                               | Data Input/Output 1      | DI01                | These lines carry address data, basic measurement data, control and program data, and status data.   |
|  | Data Input/Output 8      | DI08                |  |
| T<br>R<br>A<br>N<br>S<br>F<br>E<br>R           | Data Valid               | DAV                 | These lines control the transfer of data over the DI01-DI08 lines.   |
|  | Ready for Data           | RFD                 |  |
|  | Data Accepted            | DAC                 |  |
| M<br>A<br>N<br>A<br>G<br>E<br>M<br>E<br>N<br>T | Multiple Response Enable | MRE                 | Indicates whether information on DI01-DI08 should be interpreted as data common to all instruments (addresses) or data directed to selected instruments. |
|  | Remote Enable            | REN                 | Switches all instruments between remote and local mode.  |
|  | End Output               | EOP                 | Allows controller to halt communication over the bus.  |
|  | Service Request          | SRQ                 | Allows instruments on the bus to get the attention of the controller.  |
|  | End or Identify          | EOI                 | Enables the controller to determine which instrument requested service through the SRQ line.   |

c. The Service Request (SRQ) line allows instruments to get the attention of the controller. The Model 8660C does not use this line, so its function will not be described here.

d. The End OR Identify (EOI) line is used to identify which instrument pulled the SRQ line low. The Model 8660C does not use this line.

3-55. When a standard Model 8660C is modified to accept the HP-IB interface the instructions contained in the modification kit must be followed to install the two new circuit boards.

3-56. In addition to following the modification instructions, special care should be taken to observe jumper positions on the HP-IB boards.

3-57. Before installing the HP-IB circuit boards check the address jumpers, and change if required. It should be noted that if more than one Model

8660C is used in a system, it is not likely that operational parameters will be the same for each, so different addresses will probably be required for each instrument.

3-58. When used in the Model 8660C, jumper J2 must not be connected.

3-59. Jumper J1 is installed at the operator's choice. With it in place the internally generated BUSY signal is used to delay the RFD response. Without it, the operator must make allowances in programming for the necessary settling time of the Model 8660C.

3-60. The information contained in this section of this manual applies only to Model 8660C Option 005 HP-IB instruments. Refer to Table 3-7 for HP-IB codes. Information contained in this section for other types of remote control does not apply to Option 005 instruments.

3-61. Local control operation of Option 005 instruments is the same as that described for the Model 8660C in other parts of this section.

3-62. Basically, the Model 8660C Option 005 instruments are the same as the standard Model 8660C instruments except that the capability of remote operation using the HP-IB interface is added and BCD interface is deleted. Basic information about HP-IB is included in the General Information Section of this manual.

3-63. Option 005 allows remote programming via the HP-IB interface of all 8660C front panel controls except LINE, (POWER), SWEEP MODE, and MANUAL MODE. All front panel controls except LINE AND FM CAL are locked out when the Model 8660C is in remote.

3-64. The Model 8660C HP-IB interface will recognize an internally preset "listen" address and accept bit-parallel, word serial HP-IB information. When addressed to listen, the Model 8660C shifts incoming data into a temporary storage register. This data must be presented to the interface least significant digit first to satisfy the internal logic

requirements of the Model 8660C. When a programming code is detected in the input data, the contents of the temporary storage register are shifted into the register selected by the internal address character. The temporary register is then cleared to make way for more data.

3-65. There are three separate modulation parameters which may be programmed; source, type and %. Source and type are combined into one number (source is the least significant digit) and this number is followed by the address "\$". To turn off the modulation section, code 0 for modulation type. When programming AM, % modulation refers to percentage of full scale. Thus the FM X 10 range is 1000 kHz full scale, and 20% would mean 200 kHz deviation. With this setup the deviation of the 86632B or the 86635A would be 400 kHz.

3-66. One last convention is that after the Model 8660C is placed in remote, the first output of the HP-IB interface should be a false address which serves to clear the temporary storage register. This can be accomplished by first addressing the Model 8660C to listen, then placing "/" on the HP-IB line.

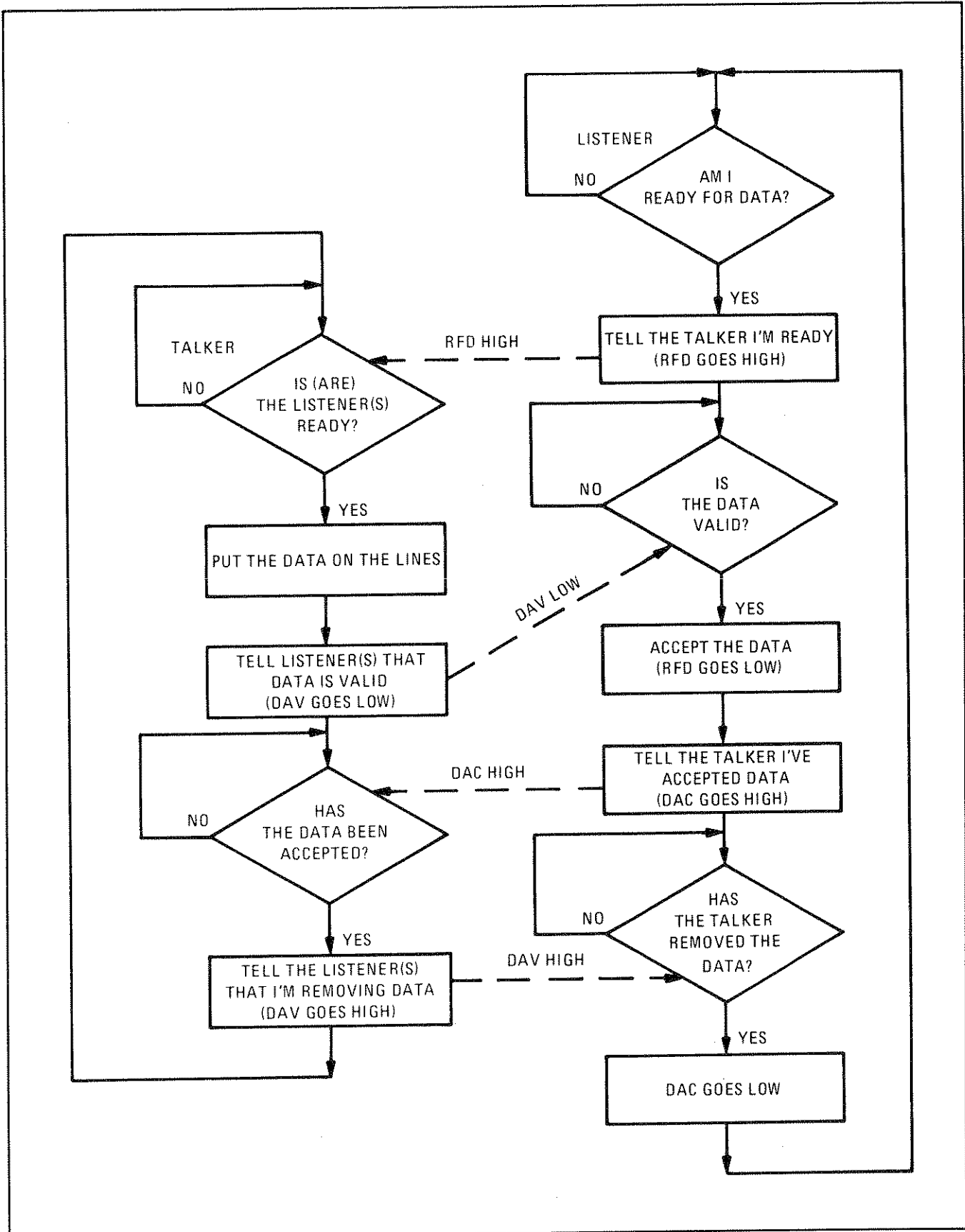
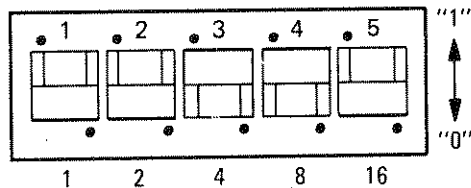


Figure 3-4. Handshake Flow Chart

Table 3-7. HP-IB Code Allocations

| DIO LINES |   | UNIVERSAL BUS COMMANDS                      |                                    |                                    | DEVICE LISTEN ADDRESS                   |   | DEVICE TALK ADDRESS                     |   |   |    |     |    |     |            |                |     |     |     |     |     |     |     |     |     |     |     |
|-----------|---|---|------------------------------------|------------------------------------|---|---|---|---|---|----|-----|----|-----|------------|----------------|-----|-----|-----|-----|-----|-----|-----|-----|-----|-----|-----|
| 8         | → |   |                                    |                                    |   |   |   |   |   |    |     |    |     |            |                |     |     |     |     |     |     |     |     |     |     |     |
| 7         | → |   |                                    |                                    |   |   |   |   |   |    |     |    |     |            |                |     |     |     |     |     |     |     |     |     |     |     |
| 6         | → |   |                                    |                                    |   |   |   |   |   |    |     |    |     |            |                |     |     |     |     |     |     |     |     |     |     |     |
| 5         | → |   |                                    |                                    |   |   |   |   |   |    |     |    |     |            |                |     |     |     |     |     |     |     |     |     |     |     |
|           |   | COLUMN → 0                                  |                                    |                                    | 1                                       | 2                                       | 3                                       | 4                                       | 5                                       |    |     |    |     |            |                |     |     |     |     |     |     |     |     |     |     |     |
| 4         | ↓ | ROW ↓<br>OCTAL<br>DECIMAL<br>BUS<br>COMMAND | OCTAL<br>DECIMAL<br>BUS<br>COMMAND | OCTAL<br>DECIMAL<br>BUS<br>COMMAND | OCTAL<br>DECIMAL<br>SYMBOLIC<br>ADDRESS | OCTAL<br>DECIMAL<br>SYMBOLIC<br>ADDRESS | OCTAL<br>DECIMAL<br>SYMBOLIC<br>ADDRESS | OCTAL<br>DECIMAL<br>SYMBOLIC<br>ADDRESS | OCTAL<br>DECIMAL<br>SYMBOLIC<br>ADDRESS |    |     |    |     |            |                |     |     |     |     |     |     |     |     |     |     |     |
| 3         | ↓ |   |                                    |                                    |   |   |   |   |   | 0  | 0.  | 20 | 16. | 40         | 32.            | SP  | 60  | 48. | 0   | 100 | 64. | @   | 120 | 80. | P   |     |
| 2         | ↓ |   |                                    |                                    |   |   |   |   |   | 1  | 1.  | 21 | 17. | *LLO       | 41             | 33. | !   | 61  | 49. | 1   | 101 | 65. | A   | 121 | 81. | Q   |
| 1         | ↓ |   |                                    |                                    |   |   |   |   |   | 2  | 2.  | 22 | 18. | R*         | 42             | 34. | "   | 62  | 50. | 2   | 102 | 66. | B   | 122 | 82. | R   |
|           |   |   |                                    |                                    |   |   |   |   |   | 3  | 3.  | 23 | 19. | R*         | 43             | 35. | #   | 63  | 51. | 3   | 103 | 67. | C   | 123 | 83. | S   |
|           |   |   |                                    |                                    |   |   |   |   |   | 4  | 4.  | 24 | 20. | DCR        | 44             | 36. | \$  | 64  | 52. | 4   | 104 | 68. | D   | 124 | 84. | T   |
|           |   |   |                                    |                                    |   |   |   |   |   | 5  | 5.  | 25 | 21. | UNASIGNED  | 45             | 37. | %   | 65  | 53. | 5   | 105 | 69. | E   | 125 | 85. | U   |
|           |   |   |                                    |                                    |   |   |   |   |   | 6  | 6.  | 26 | 22. |            | SPE            | 46  | 38. | &   | 66  | 54. | 6   | 106 | 70. | F   | 126 | 86. |
|           |   |   |                                    |                                    |   |   |   |   |   | 7  | 7.  | 27 | 23. | SIGNED     | 47             | 39. | '   | 67  | 55. | 7   | 107 | 71. | G   | 127 | 87. | W   |
|           |   |   |                                    |                                    |   |   |   |   |   | 8  | 8.  | 30 | 24. | SPE        | 50             | 40. | (   | 70  | 56. | 8   | 110 | 72. | H   | 130 | 88. | X   |
|           |   |   |                                    |                                    |   |   |   |   |   | 9  | 9.  | 31 | 25. | SPD        | 51             | 41. | )   | 71  | 57. | 9   | 111 | 73. | I   | 131 | 89. | Y   |
|           |   |   |                                    |                                    |   |   |   |   |   | 10 | 10. | 32 | 26. | UNASSIGNED | 52             | 42. | *   | 72  | 58. | :   | 112 | 74. | J   | 132 | 90. | Z   |
|           |   |   |                                    |                                    |   |   |   |   |   | 11 | 11. | 33 | 27. |            | SIGNED         | 53  | 43. | +   | 73  | 59. | ;   | 113 | 75. | K   | 133 | 91. |
|           |   |   |                                    |                                    |   |   |   |   |   | 12 | 12. | 34 | 28. | R*         | 54             | 44. | ,   | 74  | 60. | <   | 114 | 76. | L   | 134 | 92. | \   |
|           |   |   |                                    |                                    |   |   |   |   |   | 13 | 13. | 35 | 29. | R*         | 55             | 45. | -   | 75  | 61. | =   | 115 | 77. | M   | 135 | 93. | ]   |
|           |   |   |                                    |                                    |   |   |   |   |   | 14 | 14. | 36 | 30. | UNASSIGNED | 56             | 46. | .   | 76  | 62. | >   | 116 | 78. | N   | 136 | 94. | ^   |
|           |   | 15  | 15.                                | 37                                 | 31.                                     | SIGNED                                  | 57                                      | 47.                                     | /                                       | 77 | 63. | ?  | 117 |            | 79.            | 0   | 137 | 95. | -   |     |     |     |     |     |     |     |
|           |   |   |                                    |                                    | UNLISTEN COMMAND                        |   |   |   |   |    |     |    |     |            | UNTALK COMMAND |     |     |     |     |     |     |     |     |     |     |     |

H = High State.      LLO = Local Lockout.      SPE = Status Poll Enable.      [ ] = Control Bits.  
 L = Low State.      DCR = Device Clear.      SPO = Status Poll Disable.  
 X = Unused when MRE is low.      R\* = Reserved for future assignments.      DIO = Data Input Output Signal Lines, DIO1-8.



† Figure 3-5. HP-IB Address Switch S1 with Factory Set ASCII Address Code 3 Selected (19<sub>10</sub>). (Shown as mounted in 8660C on A3A2 assembly.)

Table 3-8. 8660 HP-IB Coding Table

|   |   | Function  | HP-IB Character            |                                      |
|---|---|---|----------------------------|--------------------------------------|
| I<br>N<br>T<br>E<br>R<br>N<br>A<br>L                | A<br>D<br>D<br>R<br>E<br>S<br>S           | { CENTER FREQUENCY<br>STEP↑<br>STEP↓<br>OUTPUT LEVEL<br>MODULATION MODE/SOURCE<br>MODULATION LEVEL <sup>1</sup><br>FM CALIBRATE <sup>2</sup>  | (                          |                                      |
|   |   |   | A                          |                                      |
|   |   |   | B                          |                                      |
|   |   |   | C                          |                                      |
|   |   |   | &                          |                                      |
| M<br>O<br>D<br>U<br>L<br>A<br>T<br>I<br>O<br>N      | M<br>O<br>D<br>E                          | { OFF<br>FM X 10 <sup>2</sup><br>FM X 1 <sup>1</sup><br>FM X 0.1 <sup>1</sup><br>AM <sup>1,3</sup><br>φM <sup>4</sup>   | M<br>S<br>D                | 0                                    |
|   |   |   |                            | 1                                    |
|   |   |   |                            | 2                                    |
|   |   |   |                            | 4                                    |
|   |   |   |                            | 8<br>< <sup>6</sup>                  |
|   | S<br>O<br>U<br>R<br>C<br>E                | { INT 1 KHZ <sup>1</sup><br>INT 400 HZ <sup>1</sup><br>EXT DC<br>EXT AC<br>EXT AC UNLEVELED <sup>5</sup>  | L<br>S<br>D                | 1                                    |
|   |   |   |                            | 2                                    |
|   |   |   |                            | 4                                    |
|   |   |   |                            | 8                                    |
|   |   |   |                            | 9                                    |
| H<br>P<br>-<br>I<br>B<br>S<br>Y<br>S<br>T<br>E<br>M | A<br>D<br>D<br>R<br>E<br>S<br>S<br>E<br>S | { 8660 LISTEN ADDRESS (FACTORY SELECTED)<br>OTHER POSSIBLE LISTEN ADDRESS<br>OTHER POSSIBLE LISTEN ADDRESS<br>OTHER POSSIBLE LISTEN ADDRESS<br>UNIVERSAL UNLISTEN<br>DEVICE CLEAR (DCL) | } for<br>multiple<br>units | 3                                    |
|   |   |   |                            | ;                                    |
|   |   |   |                            | =                                    |
|   |   |   |                            | >                                    |
|   |   |   |                            | ?                                    |
|   | D<br>I<br>G<br>I<br>T<br>S                | { 0<br>1<br>2<br>3<br>4<br>5<br>6<br>7<br>8<br>9  |                            | Controller<br>Dependent <sup>7</sup> |
|   |   |   |                            | 0                                    |
|   |   |   |                            | 1                                    |
|   |   |   |                            | 2                                    |
|   |   |   |                            | 3                                    |
| 4   |   |   |                            |                                      |
| 5   |   |   |                            |                                      |
| 6   |   |   |                            |                                      |
| 7   |   |   |                            |                                      |
| 8   |   |   |                            |                                      |
| 9   |   |   |                            |                                      |

<sup>1</sup> Not used in 86634A

<sup>2</sup> 86632 and 86635A only

<sup>3</sup> Not used in 86635A

<sup>4</sup> 86634A and 86635A only

<sup>5</sup> 86633 only

<sup>6</sup> Use ≤ on 9820 Calculators

<sup>7</sup> Use DISPLAY 4 on 9820 calculators; decimal 20 in binary format on 9830 calculators.

**AFRICA, ASIA, AUSTRALIA**

**AUSTRALIA**  
Hewlett-Packard Australia  
Pty. Ltd.  
31-41 Joseph Street  
Blackburn, Victoria 3130  
P.O. Box 36  
Doncaster East, Victoria 3109  
Tel: 893551  
Telex: 31-024  
Cable: HEWPARD Melbourne  
Hewlett-Packard Australia  
Pty. Ltd.  
31 Bridge Street

**Netherlands, W.A. 6009**  
Tel: 3865455  
Telex: 93859  
Cable: HEWPARD Perth  
Hewlett-Packard Australia  
Pty. Ltd.  
121 Wolfsonburg Street  
Fyshwick, A.C.T. 2609  
Tel: 804244  
Telex: 626550  
Cable: HEWPARD Canberra  
141 Stirling Highway  
Pymble  
New South Wales, 2073  
Tel: 4486566  
Telex: 21561  
Cable: HEWPARD Sydney  
Spring Hill, Queensland 4000  
Tel: 2291544  
Cable: HEWPARD Brisbane

**JAPAN**  
Yokogawa-Hewlett-Packard Ltd.  
Chuo Bldg., 4th Floor  
4-20, Nishinakajima 5-chome  
Yokogawa-ku, Osaka-shi  
Osaka 532  
Tel: 06-304-6021  
Telex: 523-3624  
Yokogawa-Hewlett-Packard Ltd.  
29-21, Takaido-Higashi 3-chome  
Suginami-ku, Tokyo 168  
Tel: 03-391-6111  
Tel: 232-2024 YHP-Tokyo  
Cable: YHPMARKET TOK 23 724  
Yokogawa-Hewlett-Packard Ltd.  
Nakano Building  
24 Kami Sasajima-chome  
Nakamura-ku, Nagoya, 450  
Tel: 052-571-5171  
Yokogawa-Hewlett-Packard Ltd.  
Tanigawa Building  
2-24-1 Tsuruya-cho  
Kanagawa-ku

**Yokohama, 221**  
Tel: 045-312-1252  
Telex: 382-3204 YHP YOK  
Yokogawa-Hewlett-Packard Ltd.  
Mito Mitsui Building  
105, 1-chome, San-no-maru  
Mito, Ibaragi 310  
Tel: 0292-25-7470  
Cable: HEWPACK TAIPEI  
Yokogawa-Hewlett-Packard Ltd.  
Inoue Building  
1348-3, Asahi-cho, 1-chome  
Atsugi, Kanagawa 243  
Tel: 0462-24-0452  
Yokogawa-Hewlett-Packard Ltd.  
Kumagaya Asahi  
Hachiroji Building  
4th Floor  
3-4, Tsukuba  
Kumagaya, Saitama 360  
Tel: 0485-24-5683

**TAIWAN**  
Hewlett-Packard Far East Ltd.  
Taiwan Branch  
39 Chung Hsiao West Road  
Section 1, 7th Floor  
Taipei  
Tel: 3819160-9, 3141010  
Cable: HEWPACK TAIPEI  
Hewlett-Packard Far East Ltd.  
Taiwan Branch  
68-2, Chung Chang 3rd. Road  
Kaohsiung  
Tel: (07) 242316-Kaohsiung  
Analytical Only  
San Kwang Instruments Co., Ltd.  
20 Yung Sui Road  
Taipei  
Tel: 361546-9 (4 lines)  
Telex: 22884 SANKWANG  
Cable: SANKWANG Taipei

**OTHER AREAS NOT LISTED, CONTACT:**  
Hewlett-Packard Intercountry  
3200 Hillview Ave.  
Palo Alto, California 94304  
Tel: (415) 856-1501  
TWX: 910-373-1267  
Cable: HEWPACK Palo Alto  
Telex: 034-8300, 034-6493

**CANADA**

**ALBERTA**  
Hewlett-Packard (Canada) Ltd.  
116208 - 168th Street  
Edmonton T5M 3T9  
Tel: (403) 452-3670  
TWX: 610-831-2431

**BRITISH COLUMBIA**  
Hewlett-Packard (Canada) Ltd.  
10691 Shellbridge Way  
Richmond V6X 2W7  
Tel: (604) 270-2727  
TWX: 610-925-5059

**MANITOBA**  
Hewlett-Packard (Canada) Ltd.  
390-550 Century St.  
Winnipeg R3M 0Y1  
Tel: (204) 786-6701  
TWX: 610-671-3531

**NOVA SCOTIA**  
Hewlett-Packard (Canada) Ltd.  
800 Windmill Road  
Dartmouth B3B 1L3  
Tel: (902) 469-7820  
TWX: 610-271-4822

**ONTARIO**  
Hewlett-Packard (Canada) Ltd.  
1020 Morrison Dr.  
Ottawa K2H 8K7  
Tel: (613) 820-6483  
TWX: 610-963-1636  
Hewlett-Packard (Canada) Ltd.  
6877 Goreway Drive  
Mississauga L4V 1M8  
Tel: (416) 678-9430  
TWX: 610-492-4246  
Hewlett-Packard (Canada) Ltd.  
552 Newbold Street  
London N6E 2S2  
Tel: (519) 686-9181

**QUEBEC**  
Hewlett-Packard (Canada) Ltd.  
275 Hymus Blvd.  
Pointe Claire HR 167  
Tel: (514) 228-4232  
TWX: 610-422-3022  
TLX: 05-821-3111 MPCL

**FOR CANADIAN AREAS NOT LISTED:**  
Contact Hewlett-Packard (Canada)  
Ltd. in Mississauga.

**EUROPE, NORTH AFRICA AND MIDDLE EAST**

**FRANCE**  
Hewlett-Packard France  
Avenue des Tropiques  
Les Ulis  
Route Postale No. 6  
91401 Orsay-Cedex  
France  
Tel: (1) 267 78 25  
TWX: 600048F  
Hewlett-Packard France  
Chemin des Moulins  
B.P. 162  
99130 Ecully  
Tel: (78) 33 91 25,  
TWX: 310617F  
Hewlett-Packard France  
Percin de la Cédrie  
31081 Toulouse-Le Mirail  
Tel: (61) 40 11 12  
TWX: 510937F  
Hewlett-Packard France  
Le Ligures  
Bureau de vente de Marseilles  
Place Route de Villeneuve  
31100 Aix-en-Provence  
Tel: (42) 59 41 92

Hewlett-Packard France  
2, Allée de la Bourgnette  
35100 Rennes  
Tel: (09) 51 42 44  
TWX: 740912F  
Hewlett-Packard France  
16, rue du Canal de la Marne  
67000 Schiltigheim  
Tel: (88) 83 08 10  
TWX: 890141F  
Hewlett-Packard France  
Immeuble péricentre  
Rue van Gogh  
59650 Villeneuve D Ascq  
Tel: (20) 91 41 25  
TWX: 160124F  
Hewlett-Packard France  
Bureau de Vente  
Centre d'affaires Paris-Nord  
Bâtiment Empèreur  
Rue de la Commune de Paris  
B.P. 300  
93153 Le Blanc Mesnil Cédex  
Tel: (01) 931 88 50

Hewlett-Packard France  
Av. du Pdt. Kennedy  
33700 Mérignac  
Tel: (56) 97 22 69  
Hewlett-Packard France  
"Franc-Evry" immeuble Lorraine  
Boulevard de France  
91035 Evry-Cadex  
Tel: 027 96 60  
Hewlett-Packard France  
60, Rue de Metz  
57130 Jouy aux Arches  
Tel: (87) 69 45 32  
**GERMAN FEDERAL REPUBLIC**  
Hewlett-Packard GmbH  
Vertriebszentrale Frankfurt  
Berner Strasse 117  
Postfach 360 140  
D-6900 Frankfurt 56  
Tel: (0611) 50-04-1  
Cable: HEWPACKSA Frankfurt  
Telex: 04 13249 hpfrfm d  
Hewlett-Packard GmbH  
Technisches Büro Böblingen  
Herrnberg Strasse 110  
D-7030 Böblingen, Württemberg  
Tel: (0703) 567-1  
Cable: HEWPACK Böblingen  
Telex: 07265739 bbn

Hewlett-Packard GmbH  
Technisches Büro Düsseldorf  
Emanuel-Leute-Str. 1 (Seestern)  
D-4000 Düsseldorf  
Tel: (0211) 59711  
Telex: 08586 533 hpdd d  
Hewlett-Packard GmbH  
Technisches Büro Hamburg  
Wendenstrasse 23  
D-2000 Hamburg 1  
Tel: (040) 124 13 93  
Cable: HEWPACKSA Hamburg  
Tel: (040) 13 032 hpdd d  
Hewlett-Packard GmbH  
Technisches Büro Hannover  
Am Grossmarkt 6  
D-3000 Hannover 91  
Tel: (0511) 46 90 01  
Tel: (051) 54 69 61  
Cable: HEWPACKIT  
Telex: 41612 HEWPACKI  
Hewlett-Packard Italiana S.p.A.  
Corso Giovanni Lanza 94  
Lyon 2  
Tel: (011) 68245/659308

Hewlett-Packard GmbH  
Technisches Büro München  
Eschenstrasse 5  
D-8021 Taufkirchen  
Tel: (089) 6117-1  
Hewlett-Packard GmbH  
Technisches Büro Berlin  
Kalthstrasse 2-4  
D-1000 Berlin 30  
Tel: (030) 24 90 86  
Telex: 018 3405 hpbrfm d  
**ITALY**  
Hewlett-Packard Italiana S.p.A.  
Via G. Di Vittorio, 9  
20053 Sarnusca  
Sul Naviglio (MI)  
Tel: (2) 903691  
Telex: 311046 HEWPACKIT  
Hewlett-Packard Italiana S.p.A.  
Via Turazza, 14  
35100 Padua  
Tel: (49) 664888  
Telex: 41612 HEWPACKI  
Hewlett-Packard Italiana S.p.A.  
Via G. Armellini 10  
I-00143 Roma  
Tel: (06) 54 69 61  
Cable: HEWPACKIT  
Telex: 668068  
Hewlett-Packard Italiana S.p.A.  
Corso Giovanni Lanza 94  
Lyon 2  
Tel: (011) 68245/659308

Medical Calculators Only  
Hewlett-Packard Italiana S.p.A.  
Via Principe Nicola 43 G.C  
I-95126 Catania  
Tel: (095) 37 05 04  
Hewlett-Packard Italiana S.p.A.  
Via Nuova San Rocco A.  
Capodimonte, 62A  
I-80131 Napoli  
Tel: (081) 7913544  
Hewlett-Packard Italiana S.p.A.  
Via E. Mattei, 9/B  
I-40137 Bologna  
Tel: (051) 307987/300040  
**UNITED KINGDOM**  
Hewlett-Packard Ltd.  
King Street Lane  
Winnaher, Wokingham  
Berks. RG11 5AR  
Tel: (0734) 724774  
Telex: 847788F  
Hewlett-Packard Ltd.  
Trafalet House  
Navigation Road  
Aldrichham  
Chesham HP14 1NU  
Tel: (051) 928 6422  
Telex: 668068  
Hewlett-Packard Ltd.  
Lygon Court  
Herefordshire  
Dudley Road

Halesowen,  
West Midlands B62 8SD  
Tel: (021) 550 9911  
Telex: 339105  
Hewlett-Packard Ltd.  
Wedge House  
799, London Road  
Thornthorpe  
Sheff. S10 4XL  
Tel: (81) 6840103  
Telex: 946825  
Hewlett-Packard Ltd.  
30, Westley St.  
Castleford  
Yorkshire WF10 1AE  
Tel: (0977) 550016  
Telex: 537355  
Hewlett-Packard Ltd.  
1, Wallace Way  
Hitchin  
Hertfordshire, SG4 0SE  
Tel: (0462) 31111  
Telex: 82 59 61  
**FOR OTHER AREAS  
NOT LISTED CONTACT**  
Hewlett-Packard S.A.  
7, rue du Bois-de-Lan  
P.O. Box  
CH-1217 Meyrin 2 - Geneva  
Switzerland  
Tel: (022) 92 70 00

**UNITED STATES**

**ALABAMA**  
P.O. Box 4207  
8250 Whitesburg Dr.  
Huntsville 35892  
Tel: (205) 861-4591  
8933 E. Roebuck Blvd.  
Birmingham 35206  
Tel: (205) 836-2203/2  
**ARIZONA**  
2336 E. Magnolia St.  
Phoenix 85034  
Tel: (602) 244-1361  
2424 East Aragon Rd.  
Tucson 85706  
Tel: (502) 889-4661  
**ARKANSAS**  
Medical Service Only  
P.O. Box 5646  
Brady Station  
Little Rock 72215  
Tel: (501) 376-1844  
**CALIFORNIA**  
1579 W. Shaw Ave.  
Fresno 93711  
Tel: (209) 224-0582  
1430 East Orangelhorpe Ave.  
Fullerton 92631  
Tel: (714) 870-1000  
3939 Lankershim Boulevard  
North Hollywood 91604  
Tel: (213) 877-1282  
TWX: 910-499-2671  
4500 West Rosecrans Blvd.  
P.O. Box 92105  
World Way Postal Center  
Los Angeles 90009  
Tel: (213) 775-7500  
TWX: 910-499-6909  
\*Los Angeles  
Tel: (213) 776-5000  
3003 Scott Boulevard  
Santa Clara 95050  
Tel: (408) 968-7000  
\*Ridgewood  
Tel: (415) 446-6165  
645 W. North Market Blvd.  
Sacramento 95834  
Tel: (916) 929-7222

3606 Aero Drive  
P.O. Box 23333  
San Diego 92123  
Tel: (714) 279-3200  
\*Tarzane  
Tel: (213) 705-3344  
**COLORADO**  
Jacksonville 82207  
Englewood 80110  
Tel: (303) 771-3455  
**CONNECTICUT**  
12 Lunar Drive  
New Haven 06525  
Tel: (203) 389-6651  
TWX: 710-465-2029  
**FLORIDA**  
P.O. Box 24210  
2727 N.W. 62nd Street  
Ft. Lauderdale 33309  
Tel: (305) 973-2600  
4428 Emerson Street  
Unit 103  
Jacksonville 32207  
Tel: (904) 725-6333  
P.O. Box 13910  
6177 Lake Ellenor Dr.  
Orlando 32809  
Tel: (305) 859-2900  
P.O. Box 12826  
3100 N.W. 62nd Street  
P.O. Box 92009  
Office Park North  
Pensacola 32575  
Tel: (904) 476-8422  
**GEORGIA**  
P.O. Box 105005  
450 Interstate North Parkway  
Atlanta 30348  
Tel: (404) 855-1500  
Medical Service Only  
\*Augusta 30903  
Tel: (404) 736-0592  
P.O. Box 2103  
1172 N. Davis Drive  
Warner Robins 31098  
Tel: (912) 922-0449  
**HAWAII**  
2875 So. King Street  
Honolulu 96826  
Tel: (808) 955-4455

**ILLINOIS**  
5201 Tollivew Dr.  
Rolling Meadows 60008  
Tel: (312) 255-9800  
TWX: 910-687-2260  
**INDIANA**  
7301 North Shadeland Ave.  
Indianapolis 46250  
Tel: (317) 842-1000  
TWX: 810-280-1797  
**IOWA**  
2475 Heinz Road  
Iowa City 52240  
Tel: (319) 338-9486  
**KENTUCKY**  
Medical Only  
3901 Atkinson Dr.  
Suite 407 Atkinson Square  
Louisville 40218  
Tel: (502) 456-1573  
**LOUISIANA**  
P.O. Box 1449  
3229-39 Williams Boulevard  
Kenner 70053  
Tel: (504) 443-6201  
**MARYLAND**  
7121 Standard Drive  
Parkway Industrial Center  
Hanover 21076  
Tel: (301) 736-7700  
TWX: 710-862-1943  
2 Choke Cherry Road  
Rockville 20850  
Tel: (301) 948-6370  
TWX: 710-828-9684  
**MASSACHUSETTS**  
32 Hartwell Ave.  
Lexington 02173  
Tel: (617) 861-8960  
TWX: 710-326-6904  
**MICHIGAN**  
23855 Research Drive  
Farmington Hills 48024  
Tel: (313) 476-8400  
724 West Centre Ave.  
Kalamazoo 49002  
Tel: (616) 323-8392

**MINNESOTA**  
2400 N. Prior Ave.  
St. Paul 55113  
Tel: (612) 636-0700  
**MISSISSIPPI**  
322 N. Mart Plaza  
Jackson 39206  
Tel: (601) 982-8363  
**MISSOURI**  
11131 Colorado Ave.  
Kansas City 64137  
Tel: (816) 763-8000  
TWX: 910-771-2087  
1024 Executive Parkway  
St. Louis 63141  
Tel: (314) 878-0209  
**NEBRASKA**  
Medical Unit  
710 Mercy Road  
Suite 01  
Omaha 68106  
Tel: (402) 392-0948  
**NEVADA**  
\*Las Vegas  
Tel: (702) 736-6610  
**NEW JERSEY**  
W. 120 Century Rd.  
Parsippany 07652  
Tel: (201) 265-5000  
TWX: 710-990-4951  
Crystal Brook Professional  
Building, Route 35  
Eastonmont 07724  
Tel: (201) 542-1384  
**NEW MEXICO**  
P.O. Box 11634  
Station E  
11300 Lomas Blvd., N.E.  
Albuquerque 87123  
Tel: (505) 292-1396  
TWX: 910-989-1165  
156 Wyan Drive  
Las Cruces 88001  
Tel: (505) 526-2484  
TWX: 910-9983-0550

**NEW YORK**  
6 Automation Lane  
Computer Park  
Albany 12205  
Tel: (518) 458-1550  
TWX: 710-444-4961  
5650 Perinton Hill Office Park  
Fairport 14450  
Tel: (716) 223-9950  
Tel: (716) 253-0092  
No. 1, Pennsylvania Plaza  
5th Floor  
34th Street & 8th Avenue  
New York 10001  
Tel: (212) 971-0800  
5858 East Molloy Road  
Syracuse 13211  
Tel: (315) 458-2486  
1 Crossways Park West  
Woodbury 11797  
Tel: (516) 921-0300  
**NORTH CAROLINA**  
5605 Reboane Way  
Greensboro 27405  
Tel: (919) 852-1800  
**OHIO**  
Medical Computer Only  
Bldg 300  
1313 E. Kemper Rd.  
Cincinnati 45426  
Tel: (513) 671-7409  
16500 Saragoe Road  
Cleveland 44130  
Tel: (216) 243-7300  
TWX: (216) 423-9430  
330 Progress Rd.  
Dayton 45449  
Tel: (513) 859-8202  
1041 Kingsmill Parkway  
Columbus 43229  
Tel: (614) 436-1041  
**OKLAHOMA**  
P.O. Box 32008  
6301 N. Meridian Avenue  
Oklahoma City, 73112  
P.O. Box 1270  
201 E. Arapaho Rd.  
Richardson 75080  
Tel: (414) 231-6100

**OREGON**  
5959 SW Lower Boones  
Ferry road  
Tualatin 97062  
Tel: (503) 820-3350  
**PENNSYLVANIA**  
111 Zeta Drive  
Pittsburgh 15238  
Tel: (412) 782-0400  
1021 8th Avenue  
King of Prussia Industrial Park  
King of Prussia 19406  
Tel: (215) 265-7000  
TWX: 510-960-2970  
**PUERTO RICO**  
Hewlett-Packard Inter-Américas  
Puerto Rico Branch Office  
Calle 272  
Edif. 203 Urban Country Club  
Carolina 00924  
Tel: (809) 762-7255  
Telex: 345 0514  
**SOUTH CAROLINA**  
P.O. Box 6420  
6941-G N Trenton Road  
Columbia 29260  
Tel: (803) 782-8493  
**TENNESSEE**  
89114 Kingston Pike  
Tel: (615) 671-7409  
16500 Saragoe Road  
Cleveland 44130  
Tel: (216) 243-7300  
TWX: (216) 423-9430  
330 Progress Rd.  
Dayton 45449  
Tel: (513) 859-8202  
1041 Kingsmill Parkway  
Columbus 43229  
Tel: (614) 436-1041  
**TEXAS**  
4171 North Mesa  
Suite C110  
Eneo P10 79602  
Tel: (915) 553-3555  
P.O. Box 1270  
201 E. Arapaho Rd.  
Richardson 75080  
Tel: (414) 231-6100

P.O. Box 42816  
10535 Harwin Dr.  
Houston 77036  
Tel: (713) 776-6409  
\*Lubbock  
Medical Service Only  
Tel: (806) 799-4472  
205 Billy Mitchell Road  
San Antonio 78226  
Tel: (512) 344-8241  
**UTAH**  
2160 South 3270 West Street  
Salt Lake City 84119  
Tel: (801) 972-4711  
**VIRGINIA**  
P.O. Box 12778  
Norfolk 23502  
Tel: (804) 460-2671  
P.O. Box 9669  
2914 Highway Springs Road  
Richmond 23228  
Tel: (804) 285-3431  
**WASHINGTON**  
Bellevue Office Pk.  
1203-114th Ave. S.E.  
Bellevue 98004  
Tel: (805) 454-3971  
TWX 910-443-2446  
P.O. Box 4010  
Tel: (509) 535-0864  
\*WEST VIRGINIA  
Medical Analytical Only  
Charleston  
Tel: (304) 345-1640  
**WISCONSIN**  
9004 West Lincoln Ave.  
West Allis 53227  
Tel: (414) 541-0550

**FOR U.S. AREAS NOT LISTED:**  
Contact the regional office  
nearest you: Atlanta, Georgia...  
North Hollywood, California...  
Rockville, Maryland...Rolling Meadows  
Illinois Their complete  
addresses are listed above.  
\*Service Only 2/79





## Free Manuals Download Website

<http://myh66.com>

<http://usermanuals.us>

<http://www.somanuals.com>

<http://www.4manuals.cc>

<http://www.manual-lib.com>

<http://www.404manual.com>

<http://www.luxmanual.com>

<http://aubethermostatmanual.com>

Golf course search by state

<http://golfingnear.com>

Email search by domain

<http://emailbydomain.com>

Auto manuals search

<http://auto.somanuals.com>

TV manuals search

<http://tv.somanuals.com>