

423A 8470A CRYSTAL DETECTOR



Printed: JULY 1976
© Hewlett Packard Co. 1976



1. GENERAL INFORMATION

2. This manual contains operating instructions for the Hewlett-Packard Model 423A and 8470A Crystal Detectors. Included in the manual is the information required to install and test the crystal detectors.

3. On the rear cover of this manual, below the manual part number, is a "Microfiche", part number. This number may be used to order a 4 x 6-inch microfilm transparency of the manual.

4. Specifications

5. Instrument specifications are listed in Table 1. These specifications are the performance standards, or limits against which the instrument may be tested.

6. Description

7. The Hewlett-Packard Model 423A and 8470A Crystal Detectors are 50Ω (nominal) devices designed for measurement use in coaxial systems. The instruments convert RF power levels applied to the 50Ω input connector into proportional values of dc voltage. The instruments measure relative power up to 100 mW and have a BNC female connector for the output jack which allows the detected output to be connected to a SWR meter. The output voltage polarity is negative, unless Option 003 is selected. The frequency range of the 423A is 10 MHz to 12.4 GHz. The 8470A's frequency range extends from 10 MHz to 18 GHz.

8. Options

9. The 423A and 8470A Crystal Detectors are available with the following options (see Table 1 for further descriptions):

- Option 001: Matched pair of detectors
- Option 002: Furnished with matched load resistor (HP 11523A) for optimum square law characteristics
- Option 003: Positive polarity output
- Option 012: Furnished with stainless steel type N male connectors (8470A only).
- Option 013: Furnished with stainless steel type N female connectors (8470A only).

10. INSTALLATION

11. Initial Inspection

12. Inspect the shipping container for damage. If the shipping container or cushioning material is damaged, it should be kept until the contents of the shipment have been checked for completeness and the instrument has been checked mechanically and electrically.

13. The procedures for checking electrical performance are given under PERFORMANCE TESTS. If the contents are incomplete, if there is mechanical damage or defect, or if the instrument does not pass the electrical performance test, notify the nearest Hewlett-Packard office. If the shipping container is damaged, or the cushioning material shows signs of stress, notify the carrier as well as the Hewlett-Packard office. Keep the shipping materials for the carrier's inspection. The HP office will arrange for repair or replacement at HP's option without waiting for claim settlement.

14. Mating Connectors

15. The 8470A (standard) RF input connector must be an APC-7 type connector. The mating RF input connectors used with the 423A and 8470A Option 012 must be Type N female connectors which comply with U.S. military standard MIL-C-39012. The mating RF input connector used with the 8470A Option 013 must be Type N male connector which complies with MIL-C-39012.

16. Operating Environment

17. The operating environment of the crystal detectors should be within the following limitations:

- a. Temperature: 0° to $+55^{\circ}$ C
- b. Altitude: < 4572 metres (15,000 feet)
- c. Humidity: < 95% relative.

18. STORAGE AND SHIPMENT

19. **Environment.** The instrument should be stored in a clean, dry environment. The following environmental limitations apply to both storage and shipment:

- a. Temperature: -20° C to $+55^{\circ}$ C
- b. Altitude: < 7620 metres (25,000 feet)
- c. Humidity: < 95% relative.

Table 1. Specifications

Frequency Range:

423A: 10 MHz to 12.4 GHz

8470A: 10 MHz to 18 GHz

NOTE

RF may leak through the output connector, especially below 1 GHz. It can be reduced, if objectionable, with a suitable low pass filter.

Frequency Response:¹

423A: ± 0.2 dB over any octave
10 MHz to 8 GHz; ± 0.5 dB
10 MHz to 12.4 GHz.

8470A: ± 0.2 dB over any octave
10 MHz to 8GHz; ± 0.5 dB
10 MHz to 12.4 GHz; ± 1.0 dB
10 MHz to 18 GHz.

Maximum Operating Input Power: 100 mW, peak or average.

Maximum Short Term Input Power: 100 mW (typical) peak or average for < 1 minute.

Sensitivity at 25°C:High Level: < 0.35 mW produces 100 mV output.Low Level: > 0.4 mVdc/ μ W CW.

Output decreases with increasing temperature.

Typically 0.015 dB/ $^{\circ}$ C from 0 $^{\circ}$ C to 55 $^{\circ}$ C.**SWR:**

423A and 8470A: 10 MHz to 4.5 GHz, 1.20;
4.5 GHz to 7.0 GHz, 1.35; 7.0 GHz to 12.4 GHz, 1.50.
8470A: 12.4 GHz to 18.0 GHz, 1.70.

Input Impedance: 50 Ω (nominal)

Output Impedance: < 15 k Ω shunted by 10 pF.

Output Polarity: Negative (refer to options for positive polarity units).

Detector Element: Supplied (refer to Table 2 for replacement assemblies).

Bias: Not required.

Noise: < 200 μ V p-p, with CW applied to produce 100 mVdc output.

¹ As read on a meter calibrated for square-law detectors (such as HP 415E SWR Meter).

Options:**423A:**

Option 001: Matched pair. Frequency response characteristics (exclusive of basic sensitivity) track within ± 0.2 dB over any octave from 10 MHz to 8 GHz, ± 0.3 dB from 8 to 12.4 GHz.

Option 002: Furnished with matched load resistor (11523A) for optimum square law characteristics at 24 $^{\circ}$ C (75 $^{\circ}$ F), $< \pm 0.5$ dB variation from square law over a range of at least 30 dB up to 50 mV peak output working into an external load > 75 k Ω . Sensitivity typically > 0.1 mV/ μ W when load resistor is used. Overall length 144 mm (4.5 in.).

Option 003: Positive polarity output.

8470A:

Option 001: Matched pair. Frequency response characteristics (exclusive of basic sensitivity) track within ± 0.2 dB over any octave from 10 MHz to 8 GHz, ± 0.3 dB from 8 to 12.4 GHz, ± 0.6 dB from 12.4 to 18 GHz.

Option 002: Furnished with matched load resistor (11523A) for optimum square law characteristics at 24 $^{\circ}$ C (75 $^{\circ}$ F), $< \pm 0.5$ dB variation from square law over a range of at least 30 dB up to 50 mV peak output working into an external load > 75 k Ω . Sensitivity typically > 0.1 mV/ μ W when load resistor is used. Overall length 144 mm (4.5 in.).

Option 003: Positive polarity output.

Option 012: Furnished with stainless steel type N male connector.

Option 013: Furnished with stainless steel type N female connector.

General:

Weight: Net 114 g (4 oz.) 423A and 8470A

Dimensions:

423A: 63 mm long, 20 mm diameter (2.46 in. long, 0.78 in. diameter).

8470A: 64 mm long, 19 mm diameter (2.50 in. long, 0.75 in. diameter).

20. Original Packaging. Containers and materials identical to those used in factory packaging are available through Hewlett-Packard offices. If the instrument is being returned to Hewlett-Packard for servicing, attach a tag indicating the type of service required, return address, model number, and serial number. Also, mark the container FRA-GILE to assure careful handling. In any correspondence, refer to the instrument by model number and serial number.

21. OPERATION

CAUTION

Static discharge can damage the detector element. A 100 pF capacitor (1.2 m[4 ft.] of coax cable) charged to 14 volts stores 0.1 erg, the maximum pulse rating of the detector element. Connect cables to test equipment and discharge the center conductor, before connecting to the detector.

DO NOT NEEDLESSLY HANDLE DETECTOR ELEMENT USED IN CRYSTAL DETECTOR. Static electricity which builds up on a person, especially on a cold dry day, must never be allowed to discharge through the crystal detector. Avoid exposed leads to or from the crystal detector, since these are often touched accidentally.

22. Operating Information

23. The crystal detector can be used as a demodulator to obtain a pulse envelope which can then be observed on an oscilloscope. It can also be used as a general purpose detector.

24. When using the crystal detector with an oscilloscope, and the waveshapes to be observed have rise times of less than $5 \mu\text{s}$, the coaxial cable connecting oscilloscope and detector should be as short as possible and shunted with a resistor. Ideally, this resistor should be 50Ω to terminate the coaxial cable properly. However, with 50Ω resistance, the output video pulse may be too small to drive some oscilloscopes. Therefore, the cable should be shunted with the smallest value of resistance that will obtain suitable deflection on the oscilloscope; typically the value will lie between 50Ω and $2 \text{ k}\Omega$. The larger the resistance the more

degradation of rise time.

25. The power applied to the detector can be either modulated or continuous wave (CW). If modulated at a 1000 Hz rate, an SWR meter can be used as an indicator. For CW detection, a dc milliammeter or millivoltmeter can be used as the indicator.

26. Operator's Checks

27. Peak Power Measurement. The arrangement of equipment for peak power measurement is shown in Figure 1. The procedure involves calibration of an oscilloscope which, in turn, is used to calibrate a CW generator. The output of the calibrated CW generator is measure with a power meter; the peak power of a pulse is thereby measured. The procedure is as follows:

- Connect equipment as shown in Figure 1, step a. Observe pulse on a dc-coupled oscilloscope. Using a marking pencil, mark on the graticule the base-to-peak amplitude of the pulse envelope.
- Replace the pulse source with a CW generator. While observing the oscilloscope trace, adjust amplitude of CW generator output to make detector's output equal to that of pulse generator, as indicated by markings on graticule (step a).
- Leave CW generator at setting obtained in step b. Disconnect detector from CW generator.

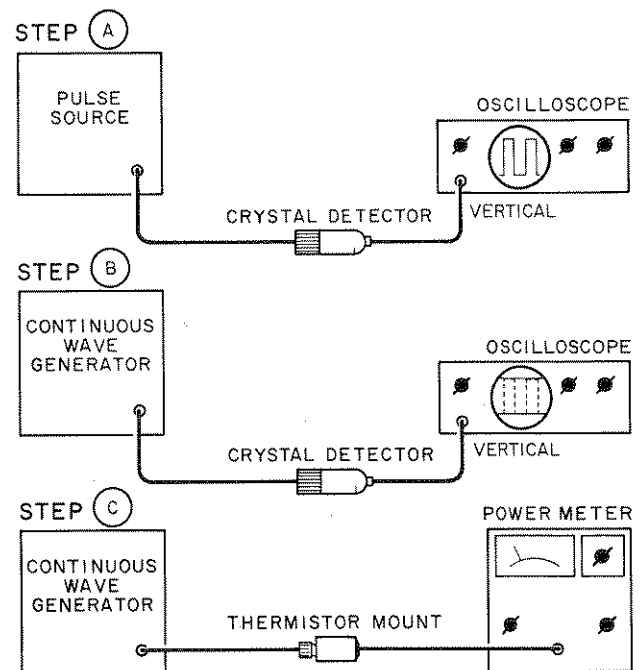


Figure 1. Peak Power Measurement

Connect output of CW generator to power meter. Measure adjusted levels (set in step b) of CW generator output. The peak power of the pulse envelope observed in step a is equal to the output power of the CW generator.

28. Reflectometer Application. For information about reflectometer systems and measurements, see HP Application Note Index, copies of which are available upon request.

29. Harmonic Frequency Comparison Measurement Application. The detector can be used as a mixer in harmonic-frequency comparison measurements (see HP Application Note Index for further information).

30. PERFORMANCE TESTS

31. The following paragraphs suggest methods to use for testing detector specifications. For these tests refer to the manuals of the equipment involved for operating instructions.

32. Frequency Response Test

a. Using signal sources covering 10 MHz to 18 GHz with a 10 dB isolating attenuator and a power meter, connect power sensor to attenuator. Adjust RF power level to -20 dBm input to power sensor.

b. Without changing RF power level of signal source, disconnect power sensor.

c. Connect detector to attenuator. Measure dc voltage output from detector and record measurement.

d. Change frequency of signal source and repeat steps a through c.

e. Since the detector follows a square-law response at this power level, its output is proportional to power ($P_{dB} = 10 \log V_o$). Total variation of detector readings should meet specifications (see Table 1) for all frequencies of interest across the band.

NOTE

Multiple mismatch errors caused by attenuator SWR, power meter SWR, and detector SWR should be taken into account, as well as the accuracy of the indicator used to measure the detector's output.

33. High Level Sensitivity Test

a. Using signal sources covering 10 MHz to 18 GHz and a dc voltmeter or oscilloscope as the indicator, connect detector to signal source. Adjust RF power level for a 100 mV detected output from detector.

b. Disconnect detector from signal source and measure RF output level. The RF output level should be ≤ 0.35 mW.

c. Repeat steps a and b for all frequencies of interest across the band.

34. Low Level Sensitivity Test

a. Using a signal source (covering 100 MHz to 1 GHz), a 10 dB attenuator, and a power meter, connect attenuator to signal source and power sensor to attenuator. Adjust RF power level for -20 dBm output from attenuator. Verify the ambient temperature.

b. Disconnect power sensor from attenuator and connect detector. Measure dc voltage output from detector. The output should be > 4.0 mV at 25°C . The sensitivity slope is typically -0.015 dB/ $^\circ\text{C}$ from 0°C to $+55^\circ\text{C}$.

NOTE

Multiple mismatch errors caused by attenuator SWR, power meter SWR, and detector SWR should be taken into account, as well as accuracy of indicator used to measure detector's output.

35. Match Test (SWR)

36. To verify the detector's SWR specifications, use any system whose measurement accuracies for SWR (residual SWR) are known.

37. ADJUSTMENTS

38. The detectors have no internal adjustments.

39. REPLACEABLE PARTS

40. The succeeding paragraphs contain information pertaining to replaceable parts (see Table 2) and the ordering of replaceable parts for the Models 423A, 8470A, and 11523A.

41. To order a replacement part, address order or inquiry to the nearest Hewlett-Packard office (see

list in back of manual.) Include the following information for each part: model number, Hewlett-Packard part number, and description.

42. SERVICE

43. The succeeding paragraphs give instructions for repair of the Model 423A and 8470A Crystal Detectors and the Option 002 Load Resistor, Model 11523A. Additional maintenance information can be obtained from the local Hewlett-Packard office. Part numbers for replaceable parts are given in Table 2.

44. Detector Element Replacement

45. The detector element assembly includes only a detector element, unless an Option 002 is ordered, then a replacement load resistor for the 11523A is included. The resistor is to load the diode for square-law operation.

CAUTION

The special detector element (see Figure 4) contained in the detector can be damaged in handling, removal, or installation if certain precautions are not taken. Then handling precautions which follow should be read before performance of any operation with the detector element when it is out of either the housing or the detector element shipping container.

a. Before installing diode into mount, touch exposed metal on mount with your hand to discharge static electricity. Then insert diode into mount.

b. When handing diode to another person, touch hands first to ensure there is no difference in static electricity potential between you.

c. Ohmmeters should not be used to measure forward- and back-resistance since it is easy to damage these diodes. The difficulty arises because of the ohmmeter's open-circuit voltages and short-circuit currents.

46. Replacing Detector Element

47. Parts mentioned in the following procedure are identified in Figure 4.

a. Remove connector cap from body. To

remove connector cap, use a pair of gas pliers with plastic teeth or protect body with heavy paper or tape.

b. Remove old detector element, capsule spacer, and capacitive washer, and discard them.

c. Install the new capacitive washer, capsule spacer, and detector element. Install the washer first, the spacer with its polyiron side against the washer. Finally, install the detector element by inserting the resistive end into the center contact inside the detector body.

CAUTION

When inserting the detector element, do not force the tip (resistive end) into the center conductor in the body as the fingers of the center conductor might be damaged, if the detector element is not centered.

d. Replace connector cap and TIGHTEN FIRMLY.

NOTE

The Option 002 Detector Element Assembly includes a detector element and a resistor. The resistor is for use in the Model 11523A and must be installed to match it to the detector.

48. Replacement of Load Resistor (11523A) Parts

49. Parts mentioned in the following procedure are identified in Figures 2 and 3.

50. Replacing Male BNC Connector

a. Remove male BNC connector and lock washer from housing. To remove BNC connector, use a 3/8-inch open-end wrench and hold the housing either in a vise or with pliers. Before using the vise or pliers, protect the housing of the 11523A with material such as heavy paper or tape or use plastic jaws on the vise or pliers.

b. Unsolder resistor.

c. Solder resistor to new BNC connector.

d. Let resistor cool and then check resistance from male BNC pin through resistor; resistance measured should be $\pm 10\%$ that indicated by the color coding.

e. Replace lockwasher and male BNC connector.

51. Replacing Female BNC Connector

a. Remove female BNC connector. To remove or install BNC connector, use a BNC wrench or use a male BNC connector as a wrench to prevent damage to the connector.

b. Unsolder contact spring.

c. Prepare replacement female BNC connector:

- (1) Cut center conductor lead to approximately 0.79 mm (1/32 in.)
- (2) With flat file, smooth end of lead; remove burr with tweezers or similar metal instrument.

d. Slip contact spring over center conductor lead, and solder.

CAUTION

Use solder sparingly or it will creep back on spring. Solder on spring destroys its usefulness and is difficult to remove.

e. Let contact spring cool and then screw connector into mount.

52. Replacement of APC-7 Connector Center Contact

53. The replacement procedure for the APC-7 connector center contact is covered in Figure 5.

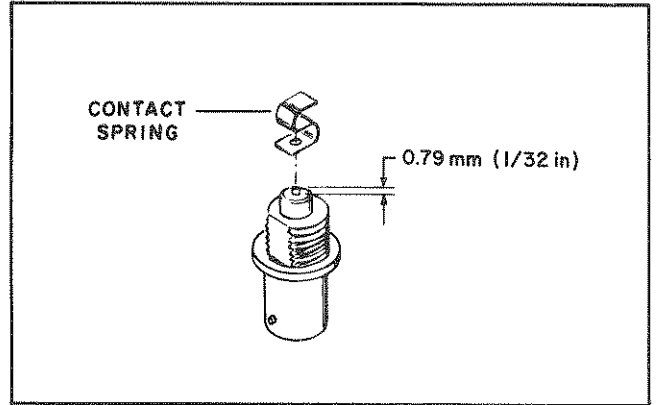


Figure 2. Cutting Center Conductor Lead to Accommodate Contact Spring

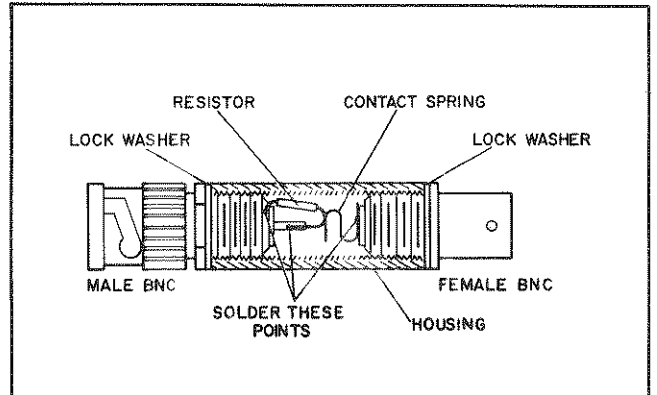


Figure 3. Model 11523A Load Resistor, Cutaway View

The disassembly and assembly instructions for the APC-7 connector is covered in Figure 6.

54. Type N Connector Dimensions

55. The critical dimensions for the type N connector are covered in Figure 7.

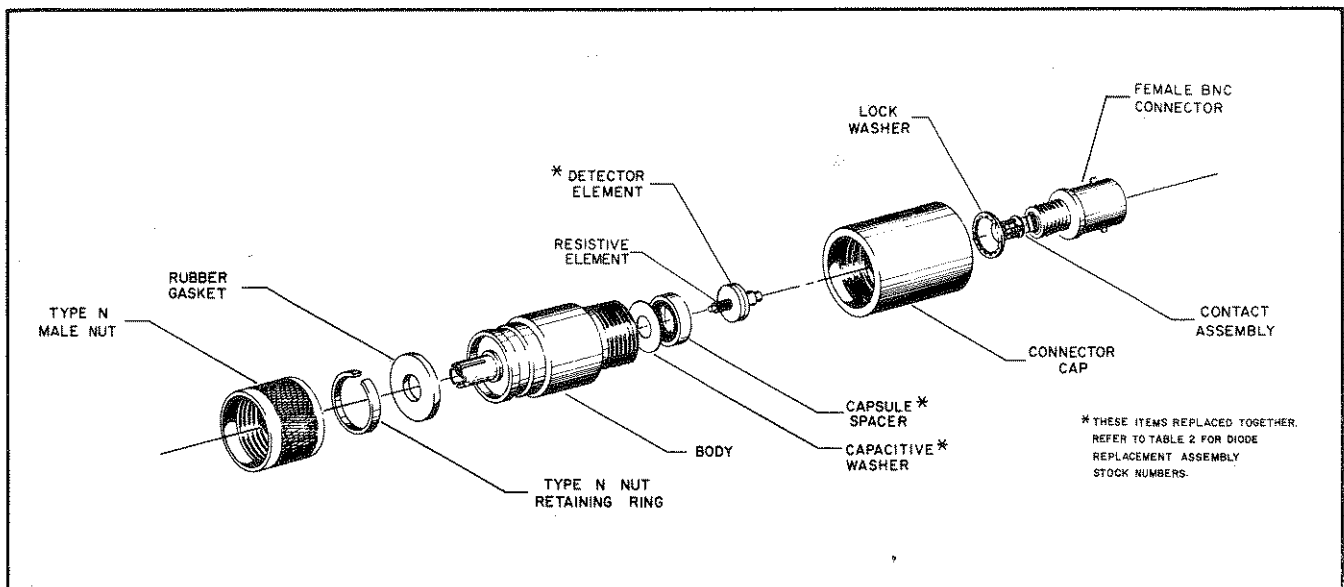
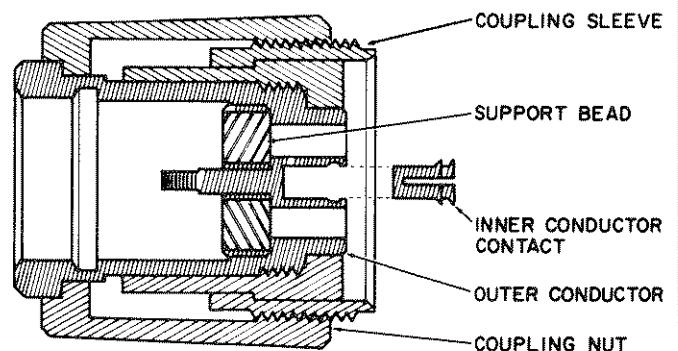


Figure 4. HP Model 423A Crystal Detector Assembly

REPLACING AMPHENOL APC-7 CENTER CONTACT

Through wear or damage the contact in the center conductor may need replacing. This contact is a small four-pronged collet which snaps into a recess in the center conductor. This contact is normally held in by the spring-action of the four prongs. With a magnifying glass, examine this contact to determine if it needs replacement. **DO NOT REMOVE THIS CONTACT FOR INSPECTION** (it may be damaged by removal). The contact should be free of burrs or wear and the prongs should be equally spaced. If the contact is removed, do NOT re-use it (it may be damaged by removal). This contact is Amphenol* part number 131-129 and HP 1250-0907. If this contact needs replacement and a new contact is available, proceed as follows:

1. Place the instrument so the connector faces down, if possible.
2. Tap the connector lightly and the contact should now protrude slightly. Insert the centering pin of the Hewlett-Packard collet remover, Part Number 5060-0236, with the jaws open.
3. Allow the jaws on the tool used to close and pull straight back from the connector without twisting. The contact should come with the tool. If not, repeat the process. Do NOT re-use the contact.



4. Snap in a new contact by pushing a new contact in place. Test the action of the new contact by pushing in on it. It should spring out again when released.

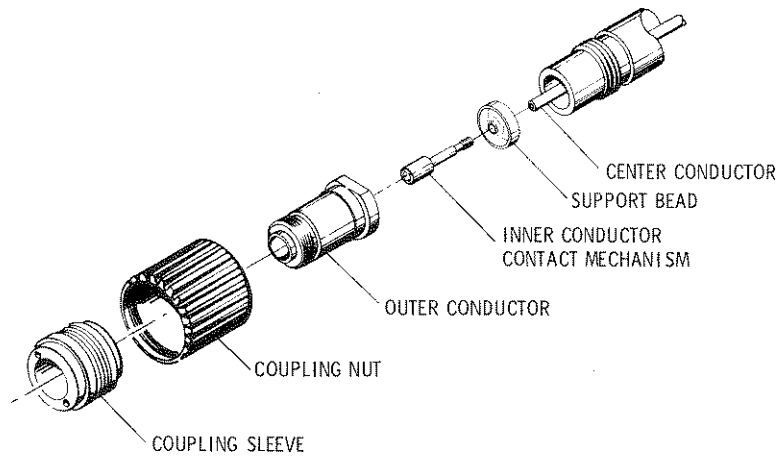
(Amphenol* Part Number 131-129; HP Part Number 1250-0907.

*Amphenol RF Division, Danbury, Conn.

Figure 5. APC-7 Connector

Table 2. Replaceable Parts, Models 423A, 8470A, and 11523A

Description	Stock No.	Description	Stock No.
423A Assembly		8470A APC-7 Connector Assembly (Cont'd)	
Connector, Female BNC	1250-0251	Tools: ²	
Connector, Cap	5020-0210	APC-7 Contact Extractor	5060-0236
Connector Assembly, Female BNC, including contact assembly	00423-600	APC-7 Spanner Wrench	5060-0237
Body Assembly, 423A	00423-601	Open-end Wrench	8710-0877
Includes the following:		8470A Assembly	
Type N Male Connector Outer Conductor	1250-0014	Resistor, Tubular	0727-1033
Type N Male Nut Rubber Gasket	1250-0015	Ring, RF Connector (Opt 012)	1250-0016
Type N Nut Retaining Ring	1250-0016	Connector, Female BNC	1250-0251
Type N Male Nut	1250-0918	Connector, RF APC-N Female (Opt 013)	1250-0914
Type N Male Connector Bead	5020-0207	Contact, RF Connector Female (Opt. 013)	1250-0915
Type N Male Connector Center Conductor	00423-201	Connector, RF APC-N Male (Opt 012)	1250-0916
Body, Crystal Mount	00423-202	Contact, RF Connector Male (Opt 012)	1250-0917
423A Diode Replacement Assemblies¹		Nut, RF Connector (Opt 012)	1250-0918
Single Diode Negative Polarity	00423-802	Washer, Lock, Internal	2190-0016
Single Diode Positive Polarity (Opt 003)	00423-803	Contact, Spring	5000-0234
Single Diode Negative Polarity with Matching Load Resistor (Opt 002)	00423-800	Cap, Connector	5020-0210
Single Diode Positive Polarity with Matching Load Resistor (Opt 002 and 003)	00423-801	Insulator	5040-0306
Matched Pair Diodes Negative Polarity (Opt 001)	00423-605	Washer, Compression	08470-0001
Matched Pair Diodes Positive Polarity (Opt 001, 003)	00423-606	Washer, Fiber	08470-0002
Matched Pair Diodes with Load Resistor Negative Polarity (Opt 001, 002)	00423-603	Body, Crystal Mount	08470-2000
Matched Pair Diode with Load Resistor Positive Polarity (Opt 001, 002, and 003)	00423-604	Conductor, Center	08470-2001
11523A Load Resistor Assembly¹		8470A Diode Replacement Assemblies¹	
Connector, Male BNC	1250-0045	Single Diode Negative Polarity	08470-6001
Connector, Female BNC	1250-0251	Single Diode Positive Polarity (Opt 003)	08470-6002
Spring, Contact	5000-0234	Single Diode Negative Polarity with Matching Load Resistor (Opt 002)	08470-6003
Housing	5020-3215	Single Diode Positive Polarity with Matching Load Resistor (Opt 002,003)	08470-6004
8470A APC-7 Connector Assembly		Matched Pair Diodes Negative Polarity (Opt 001)	08470-6005
Inner Conductor Contact Mechanism (assembled contact and outer body)	1250-0816	Matched Pair Diodes Positive Polarity (Opt 001, 003)	08470-6006
Coupling Sleeve	1250-0820	Matched Pair Diodes with Load Resistor Negative Polarity (Opt 001, 002)	08470-6007
Inner Conductor Contact	1250-0907	Matched Pair Diode with Load Resistor Positive Polarity (Opt 001, 002, and 003)	08470-6008
Outer Conductor	1250-1183		
Coupling Nut	1250-1465		
Support Bead	5040-0306		
¹ Refer to Table 1 for description of options.			
² Part of HP Model 11591A APC-7 Connector Tool Kit.			



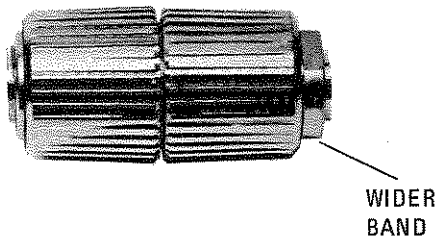
USE

To Connect:

1. On one connector, retract the coupling sleeve by turning the coupling nut counterclockwise until the sleeve and nut disengage.
2. On the other connector, fully extend the coupling sleeve by turning the coupling nut clockwise. To engage coupling sleeve and coupling nut when the sleeve is fully retracted, press back lightly on the nut while turning it clockwise.
3. Push the connectors firmly together, and thread the coupling nut of the connector with retracted sleeve over the extended sleeve.
4. Close the gap between coupling nuts with the nut on the extended-sleeve connector.

To Disconnect:

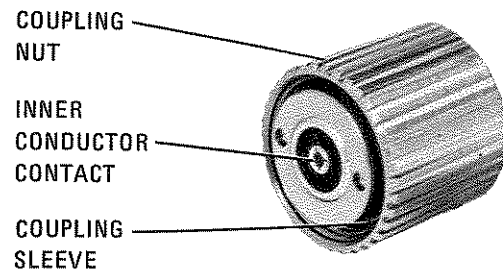
1. Loosen the coupling nut of the connector showing the wider gold band.



2. **IMPORTANT:** Part the connectors carefully to prevent striking the inner conductor contact.

CARE

1. Keep contacting surfaces smooth and clean. Irregularities and foreign particles can degrade electrical performance.



2. Protect the contacting surfaces when the connector is not in use by leaving the coupling sleeve extended.
3. Use lintless material and/or firm-bristled brush such as a tooth brush for cleaning. If a cleaning fluid is needed use isopropyl alcohol. **IMPORTANT:** Do not use aromatic or chlorinated hydrocarbons, esters, ethers, terpenes, higher alcohols, ketones, or ether-alcohols such as benzene, toluene, turpentine, dioxane, gasoline, cellosolve acetate, or carbon tetrachloride. Keep exposure of the connector parts to both the cleaning fluid and its vapors as brief as possible.

Figure 6. APC-7 Connectors

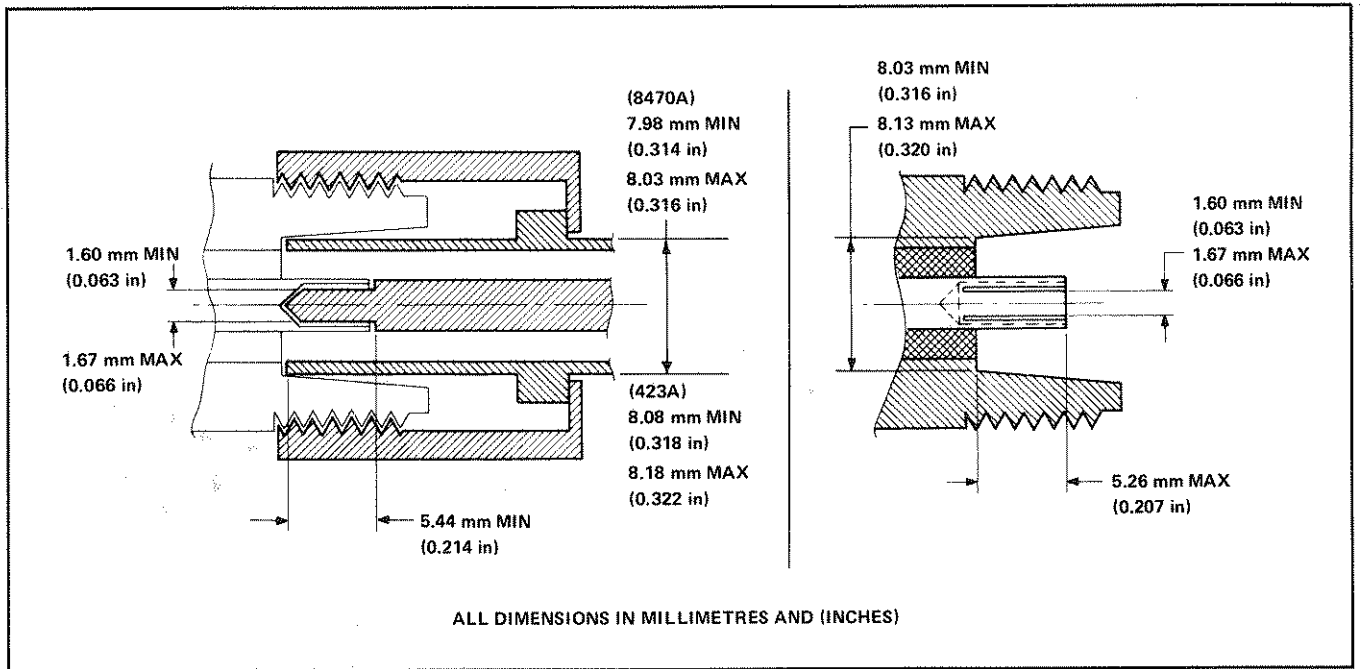


Figure 7. Type N Connector Dimensions

CERTIFICATION

Hewlett-Packard Company certifies that this product met its published specifications at the time of shipment from the factory. Hewlett-Packard further certifies that its calibration measurements are traceable to the United States National Bureau of Standards, to the extent allowed by the Bureau's calibration facility, and to the calibration facilities of other International Standards Organization members.

WARRANTY

This Hewlett-Packard instrument product is warranted against defects in material and workmanship for a period of one year from date of shipment. During the warranty period, Hewlett-Packard Company will, at its option, either repair or replace products which prove to be defective.

For warranty service or repair, this product must be returned to a service facility designated by HP. Buyer shall prepay shipping charges to HP and HP shall pay shipping charges to return the product to Buyer. However, Buyer shall pay all shipping charges, duties, and taxes for products returned to HP from another country.

HP warrants that its software and firmware designated by HP for use with an instrument will execute its programming instructions when properly installed on that instrument. HP does not warrant that the operation of the instrument, or software, or firmware will be uninterrupted or error free.

LIMITATION OF WARRANTY

The foregoing warranty shall not apply to defects resulting from improper or inadequate maintenance by Buyer, Buyer-supplied software or interfacing, unauthorized modification or misuse, operation outside of the environmental specifications for the product, or improper site preparation or maintenance.

NO OTHER WARRANTY IS EXPRESSED OR IMPLIED. HP SPECIFICALLY DISCLAIMS THE IMPLIED WARRANTIES OF MERCHANTABILITY AND FITNESS FOR A PARTICULAR PURPOSE.

EXCLUSIVE REMEDIES

THE REMEDIES PROVIDED HEREIN ARE BUYER'S SOLE AND EXCLUSIVE REMEDIES. HP SHALL NOT BE LIABLE FOR ANY DIRECT, INDIRECT, SPECIAL, INCIDENTAL, OR CONSEQUENTIAL DAMAGES, WHETHER BASED ON CONTRACT, TORT, OR ANY OTHER LEGAL THEORY.

ASSISTANCE

Product maintenance agreements and other customer assistance agreements are available for Hewlett-Packard products.

HEWLETT-PACKARD SERVICE OFFICES

To obtain servicing information, contact the nearest Hewlett-Packard Sales and Service Office in HP Catalog, or contact the nearest regional office listed below.

UNITED STATES

NO. CALIFORNIA (San Francisco Area)
333 Logue Ave.
Mt. View, CA 94043

SO. CALIFORNIA (Los Angeles Area)
5400 West Rosecrans Blvd.
Lawndale, CA 90260

GEORGIA
450 Interstate N. Parkway
Atlanta, GA 30348

ILLINOIS
5201 Tollview Dr.
Rolling Meadows, IL 60008

NEW JERSEY
W. 120 Century Rd.
Paramus, NJ 07652

AUSTRALIA

Hewlett-Packard Australia Ltd.
31-41 Joseph Street
Blackburn, Victoria 3130

CANADA

Hewlett-Packard (Canada) Ltd.
6877 Goreway Drive
Mississauga, Ontario
Canada L4V 1M8

ITALY

Hewlett-Packard Italiana S.p.A.
Via G. Di Vittorio, 9
20063 Cernusco
Sul Naviglio (MI)

FRANCE

Hewlett-Packard France
Quartier de Courtaboeuf
Boite Postale No. 6
F-91401 Orsay Cedex

GERMAN FEDERAL REPUBLIC

Hewlett-Packard GmbH
Vertriebszentrale Frankfurt
Bernerstrasse 117
Postfach 560 140
D-6000 Frankfurt 56

NETHERLANDS

Hewlett-Packard Benelux N.V.
Van Heuven Doedhartlaan 121
P.O. Box 667
NL-Amstelveen 1134

UNITED KINGDOM

Hewlett-Packard Ltd.
King Street Lane
GB-Winnersh, Wokingham
Berks, RG11 5AR

AFRICA, ASIA, CENTRAL AND SOUTH AMERICA

Hewlett-Packard Intercontinental
3200 Hillview Avenue
Palo Alto, CA 94304

Manual Part Number: 00423-90019
Microfiche Part Number: 00423-90021



**HEWLETT
PACKARD**

Printed in U.S.A.

Free Manuals Download Website

<http://myh66.com>

<http://usermanuals.us>

<http://www.somanuals.com>

<http://www.4manuals.cc>

<http://www.manual-lib.com>

<http://www.404manual.com>

<http://www.luxmanual.com>

<http://aubethermostatmanual.com>

Golf course search by state

<http://golfingnear.com>

Email search by domain

<http://emailbydomain.com>

Auto manuals search

<http://auto.somanuals.com>

TV manuals search

<http://tv.somanuals.com>