



## Installation and Getting Started Guide

# HP ProCurve Series 6600 Switches

[www.procurve.com](http://www.procurve.com)



---

# ProCurve Series 6600 Switches

---

## Installation and Getting Started Guide

## Publication Number

5992-4962  
January 2009

## Applicable Products

HP ProCurve 6600-24G Switch	(J9263A)
HP ProCurve 6600-24G-4XG Switch	(J9264A)
HP ProCurve 6600-24XG Switch	(J9265A)
HP ProCurve Switch Power Supply	(J9269A)
HP ProCurve Switch Fan Tray	(J9271A)

## Disclaimer

HEWLETT-PACKARD COMPANY MAKES NO WARRANTY OF ANY KIND WITH REGARD TO THIS MATERIAL, INCLUDING, BUT NOT LIMITED TO, THE IMPLIED WARRANTIES OF MERCHANTABILITY AND FITNESS FOR A PARTICULAR PURPOSE. Hewlett-Packard shall not be liable for errors contained herein or for incidental or consequential damages in connection with the furnishing, performance, or use of this material.

The information contained herein is subject to change without notice. The only warranties for HP products and services are set forth in the express warranty statements accompanying such products and services. Nothing herein should be construed as constituting an additional warranty. HP shall not be liable for technical or editorial errors or omissions contained herein.

Hewlett-Packard assumes no responsibility for the use or reliability of its software on equipment that is not furnished by Hewlett-Packard.

## Warranty

See the Customer Support/Warranty booklet included with the product.

A copy of the specific warranty terms applicable to your Hewlett-Packard products and replacement parts can be obtained from your HP Sales and Service Office or authorized dealer.

---

## Safety

Before installing and operating these products, please read the "Installation Precautions" in chapter 2, "Installing the Switch", and the safety statements in appendix C, "Safety and EMC Regulatory Statements".

---

---

# Contents

## 1 Introducing the Switch

Front of the Switch .....	1-4
Network Ports .....	1-5
LEDs .....	1-6
LED Power Save Mode .....	1-8
LED Mode Select Button and Indicator LEDs .....	1-8
Reset Button .....	1-9
Clear Button .....	1-10
Console Port .....	1-10
Back of the Switch .....	1-11
Power Connector .....	1-11
Switch Features .....	1-11

## 2 Installing the Switch

Included Parts .....	2-1
Installation Precautions: .....	2-3
Installation Procedures .....	2-4
Summary .....	2-4
1. Prepare the Installation Site .....	2-5
2. Verify the Switch Passes Self Test .....	2-5
LED Behavior: .....	2-7
3. (Optional) Reversing the air flow .....	2-8
4. Mount the Switch .....	2-10
Rack or Cabinet Mounting .....	2-10
5. Connect the Switch to a Power Source .....	2-14
Securing the power cord .....	2-14
6. (Optional) Install or Remove mini-GBICs or SFPs .....	2-15
Installing the Mini-GBICs or SFP+ Transceivers: .....	2-16
SFP and SFP+ transceivers Plug-in, Fault and Alert behaviors. .....	2-17
Removing the mini-GBICs: .....	2-17

7. Connect the Network Cables . . . . .	2-18
Using the RJ-45 Connectors . . . . .	2-18
Connecting Cables to mini-GBICs . . . . .	2-18
8. (Optional) Connect a Console to the Switch . . . . .	2-19
Terminal Configuration . . . . .	2-19
Direct Console Access . . . . .	2-20
Console Cable Pinouts . . . . .	2-21
Sample Network Topology . . . . .	2-22

### **3 Getting Started With Switch Configuration**

Recommended Minimal Configuration . . . . .	3-1
Using the Console Setup Screen . . . . .	3-2
Where to Go From Here . . . . .	3-4
To Recover from a Lost Manager Password . . . . .	3-4
Using the IP Address for Remote Switch Management . . . . .	3-5
Starting a Telnet Session . . . . .	3-5
Starting a Web Browser Session . . . . .	3-5

### **4 Replacing Components**

Replacing the fan tray assembly . . . . .	4-1
Replacing the Battery . . . . .	4-3
Installing a New Battery . . . . .	4-3
Replacing the Power Supplies . . . . .	4-5

### **5 Troubleshooting**

Basic Troubleshooting Tips . . . . .	5-1
Diagnosing with the LEDs . . . . .	5-4
Proactive Networking . . . . .	5-8
Hardware Diagnostic Tests . . . . .	5-9
Testing the Switch by Resetting It . . . . .	5-9
Checking the Switch LEDs . . . . .	5-9
Checking Console Messages . . . . .	5-9
Testing Twisted-Pair Cabling . . . . .	5-10
Testing Switch-to-Device Network Communications . . . . .	5-10

Testing End-to-End Network Communications .....	5-10
Restoring the Factory Default Configuration .....	5-11
Downloading New Switch Software .....	5-12
HP Customer Support Services .....	5-12
Before Calling Support .....	5-12

## **A Specifications**

Physical .....	A-1
Electrical .....	A-1
Environmental .....	A-1
Acoustic .....	A-2
Safety .....	A-2

## **B Cabling and Technology Information**

Cabling specifications .....	B-1
Technology distance specifications .....	B-3
Mode Conditioning Patch Cord .....	B-4
Installing the Patch Cord .....	B-5
Twisted-Pair Cable/Connector Pin-Outs .....	B-6
Straight-Through Twisted-Pair Cable for 10 Mbps or 100 Mbps Network Connections .....	B-7
Cable Diagram .....	B-7
Pin Assignments .....	B-7
Crossover Twisted-Pair Cable for 10 Mbps or 100 Mbps Network Connection .....	B-8
Cable Diagram .....	B-8
Pin Assignments .....	B-8
Straight-Through Twisted-Pair Cable for 1000 Mbps Network Connections .....	B-9
Cable Diagram .....	B-9
Pin Assignments .....	B-9

## **C Safety and EMC Regulatory Statements**

Safety Information .....	C-1
Informations concernant la sécurité .....	C-2
Hinweise zur Sicherheit .....	C-3
Considerazioni sulla sicurezza .....	C-4
Consideraciones sobre seguridad .....	C-5
Safety Information (Japan) .....	C-6
Safety Information (China) .....	C-7
EMC Regulatory Statements .....	C-8
U.S.A. ....	C-8
Canada .....	C-8
Australia/New Zealand .....	C-8
Japan .....	C-8
Taiwan .....	C-8
European Community .....	C-9

## **D Recycle Statements**

Waste Electrical and Electronic Equipment (WEEE) Statements .....	D-1
---	-----

## **Index**



# Introducing the Switch

The HP ProCurve Series 6600 Switches are top-of-rack data center switches that support advanced Layer three switching, and have reversible front-to-back airflow, and two hot-swappable power supplies. These switches can be used to build high-speed switched networks between servers in the data center.

## HP ProCurve 6600-24G Switch (J9263A)



## HP ProCurve 6600-24G-4XG Switch (J9264A)



## HP ProCurve 6600-24XG Switch (J9265A)



Throughout this manual, these switches will be referred to as the Series 6600 Switches.

The 6600-24G Switch has 20 auto-sensing 10/100/1000Base-T RJ-45 ports, four dual-personality ports—either auto-sensing 10/100/1000Base-T RJ-45 or mini-GBIC (Small Form-Factor Pluggable (SFP)) ports.

The 6600-24G-4XG Switch has the same ports as the Switch 6600-24G plus it also has 4 SFP+ slots for 10-GbE connectivity. The specification for SFP+ defines the physical and electrical characteristics of this form-factor (size and shape). The form-factor is identical to SFP, but the SFP+ is a 10-Gigabit Ethernet transceiver.

The 6600-24XG Switch has 24 SFP+ slots. All slots are 10-GbE.

**Table 1-1. These products support optional network connectivity with the following speeds and technologies:**

Speed	Technology	Cabling	Transceiver form-factor and connector	
			SFP(mini-GBIC) Connector	SFP+ Connector
100-Mbps	100-FX	Fiber (multimode)	LC	
	100-BX	Fiber (single mode)	LC	
1-Gbps	1000-SX	Fiber (multimode)	LC	
	1000-LX	Fiber (multimode or single mode)	LC	
	1000-LH	Fiber (single mode)	LC	
10-Gbps	1000-BX	Fiber (single mode)	LC	
	10-Gig Direct Attach	Copper (twinaxial)		N/A <sup>1</sup>
	10-Gig SR	Fiber (multimode)		LC
	10-Gig LRM	Fiber (multimode)		LC
	10-Gig LR	Fiber (single mode)		LC
<sup>1</sup> Direct attach cables (DAC) are low-cost 10-GbE connectivity options consisting of a one, three, or seven meter cable with SFP+ connectors permanently attached to each end.				
For supported transceivers see <a href="http://www.procurve.com/faqs">www.procurve.com/faqs</a> . Both ProCurve 10-GbE transceivers and ProCurve Mini-GBICs and SFPs have links to a list of supported products (first question in the "General Product Information" category).				
For technical details of cabling and technologies see Appendix B, " <a href="#">Cabling and Technology Information</a> ".				

These switches are designed to be used primarily in data center environments mounted in equipment racks along with the servers they are connected to. These switches can directly connect servers to other servers or backbone LANs to provide dedicated bandwidth to those devices, and can build a switched network infrastructure by connecting the switch to hubs, other switches, or routers. In addition, the Series 6600 Switches offer full network management capabilities.

This chapter describes the Series 6600 Switches, including:

- Front and back of the switches
- Network ports
- LEDs
- Switch features

## Front of the Switch

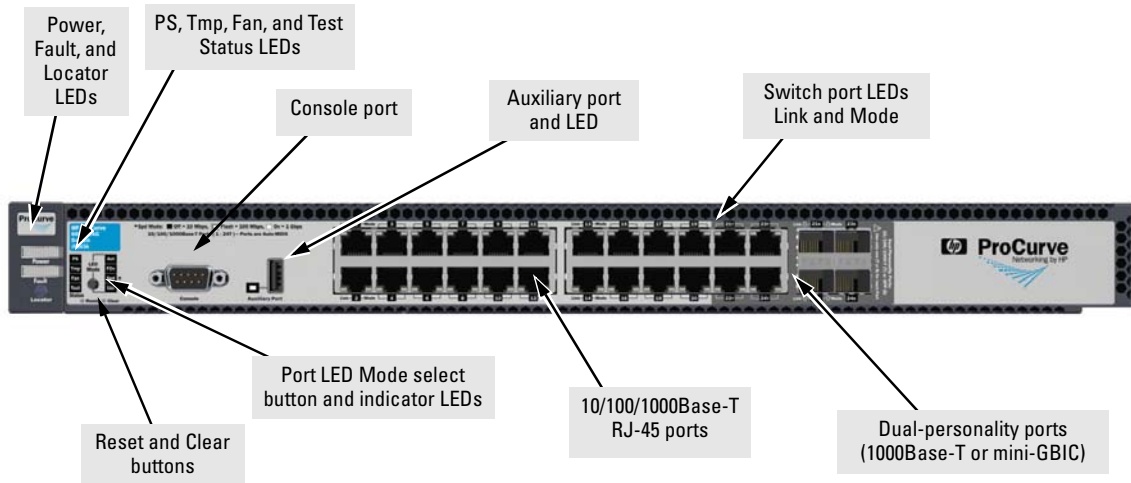
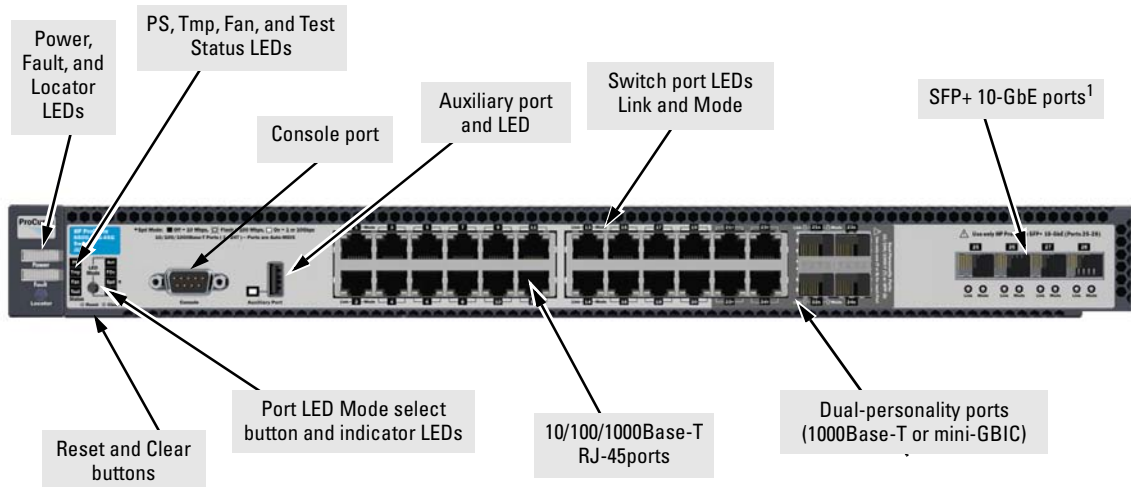


Figure 1-1. ProCurve 6600-24G Switch



<sup>1</sup> These SFP+ slots are in the same configuration as the SFP Mini-GBIC slots of ports 21 and 24, label facing down.

Figure 1-2. ProCurve 6600-24G-4XG Switch

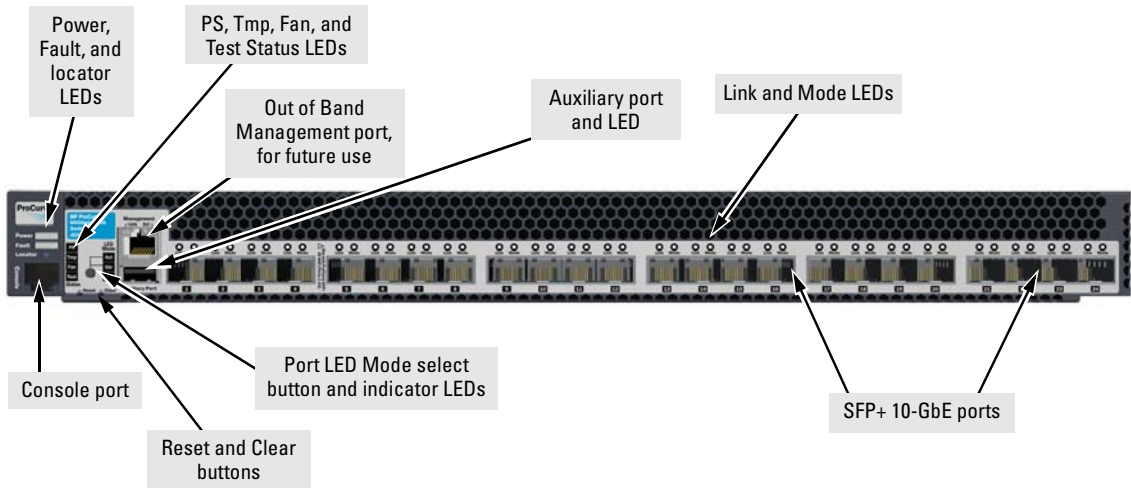


Figure 1-3. ProCurve 6600-24XG Switch

## Network Ports

- On the 6600-24G and 6600-24G-4XG Switches there are 24 auto-sensing 10/100/1000Base-T ports. All these ports have the “Auto MDIX” feature, which means you can use either straight-through or crossover twisted-pair cables to connect any network devices to the switch.
- On the 6600-24G and 6600-24G-4XG Switches there are four dual-personality ports. Use either the 10/100/1000Base-T RJ-45 connector, or install a supported ProCurve mini-GBIC for fiber-optic connections.

**Dual-Personality Port Operation.** By default, the RJ-45 connectors are enabled. If a mini-GBIC is installed in a slot, it is enabled and the associated RJ-45 connector is disabled and cannot be used. If the mini-GBIC is removed, the associated RJ-45 port is automatically re-enabled.

- On the 6600-24XG Switch there are 24 SFP+ 10-GbE ports. SFP+ ports only support 10 Gbps operation; 1 Gbps mini-GBICs are not supported in any SFP+ port.

## LEDs

**Table 1-2. Switch LEDs**

Switch LEDs	State	Meaning
Power (green)	On Blinking <sup>1</sup> Off	The power supply is operating properly. Power supply failure. Blinking simultaneously with Fault LED No power connection.
Fault (orange)	Off Blinking <sup>1</sup> On	The normal state; indicates there are no fault conditions on the switch. A fault has occurred on the switch, one of the switch ports, module in the rear of the switch, or the fan. The Status LED for the component with the Fault LED will blink simultaneously. On briefly after the switch is powered on or reset, at the beginning of switch self test. If this LED is on for a prolonged time, the switch has encountered a fatal hardware failure, or has failed its self test. See chapter 4, "Troubleshooting" for more information.
Locator (blue)	On Blinking Off	The Locator LED is used to locate a specific switch in a area full of switches. The LED can be set to be on solid or blink for a specified number of minutes (1-1440). The default is 30 minutes. Use the command "chassislocate".
PS (green/orange)	On green Off Blinking orange <sup>1</sup>	The switch is receiving power. The switch is NOT receiving power. A fault has occurred on one of the power supplies. The PS Status LED, Fault LED, and on the back of the switch the failed power supply LED (PS1 or PS2) will all blink simultaneously.
Tmp (green/orange)	On green Blinking orange <sup>1</sup> Blinking orange <sup>2</sup>	Switch temperature is normal. An over temperature condition has been detected. This is a Fault condition indicating elevated internal temperatures. The Fault LED will blink simultaneously. This indicates an alert condition indicating critical internal temperatures. The Fault LED will blink simultaneously.
Fan Status (green/orange)	On Blinking orange <sup>1</sup> Blinking orange <sup>2</sup>	Normal operation, all fans are ok. One of the unit's fans has failed. The switch Fault LED will be blinking simultaneously. One of the unit's fans has failed and the switch is in an overtemp condition. The switch Fault LED will be blinking simultaneously.
Fan LED on the fan tray (orange)	Off Blinking orange <sup>1</sup>	Normal operation, all fans are working properly. One or more of the unit's fans has failed. The switch Fault LED, fan status LED on the front of the switch, and the fan status LED on the back of the switch will be blinking simultaneously.

Switch LEDs	State	Meaning
Test (green/orange)	Off	The normal operational state; the switch is not undergoing self test.
	On green	The switch self test and initialization are in progress after the switch has been power cycled or reset. The switch is not operational until this LED goes off. The Self Test LED also comes on briefly when you “hot swap” a mini-GBIC into the switch; the mini-GBIC is self tested when it is hot swapped.
	Blinking orange <sup>1</sup>	A component of the switch has failed its self test. The status LED for that component, for example an RJ-45 port, and the switch Fault LED will blink simultaneously.
Port LEDs (green/orange – Link and Mode)	Link	Indicates the port LEDs are displaying link information: <ul style="list-style-type: none"> <li>if the port LED is on, the port is enabled and receiving a link indication from the connected device.</li> <li>if the port LED is off, the port has no active network cable connected, or is not receiving link beat or sufficient light. Otherwise, the port may have been disabled through the switch console, the web browser interface, or ProCurve Manager.</li> </ul> if the port LED is Blinking <sup>1</sup> (orange) simultaneously with the Fault LED, the corresponding port has failed its self test.
	Mode	The operation of the Mode LED is controlled by the LED Mode select button, and the current setting is indicated by the LED Mode indicator LEDs near the button. Press the button to step from one view mode to the next. The default view is Activity (Act).
LED Mode View (green LEDs)	Act	Indicates the port LEDs are displaying network activity information.
	FDx	Indicates port LEDs are lit for ports in Full Duplex Mode. Off indicates ½ duplex.
	Spd	Indicates the port LEDs are displaying the connection speed at which each port is operating: <ul style="list-style-type: none"> <li>if the port LED is off, the port is operating at 10 Mbps.</li> <li>if the port LED is Blinking**, the port is operating at 100 Mbps.</li> <li>if the port LED is on continuously, the port is operating at 1000 Mbps.</li> </ul>
	Usr	Indicates the port is displaying customer-specified information.
Auxiliary (green/orange) For more information see the Management and Configuration Guide for your switch.	Blinking green <sup>2</sup>	Indicates the process with the USB device is taking place successfully.
	On green	The switch has finished processing the USB successfully.
	Blinking orange <sup>1</sup>	Indicates an error condition. The switch Fault LED will be blinking simultaneously. There is a USB hardware fault associated with the USB device or the USB connector on the switch.
	Blinking orange <sup>2</sup>	Indicates an alert condition. The switch Fault LED should not be blinking simultaneously. There is an alert error in the USB process that is not caused by a hardware fault, like a file transfer error.
	Off	Indicates that no USB device has been inserted, or that the inserted USB device cannot be recognized, or that no command file can be found on the inserted USB device.

Switch LEDs	State	Meaning
<sup>1</sup> The Blinking behavior is an on/off cycle once every 1.6 seconds, approximately. <sup>2</sup> The Blinking behavior is an on/off cycle once every 0.8 seconds, approximately.		

### LED Power Save Mode

The HP ProCurve 6600-24XG Switch (J9265A) has the ability to turn off defined groups of ports to save power through the use of a CLI command, “savepower”. This feature provides the capability to explicitly power down the ports, including the LEDs, for a group of un-used ports associated with a block number.

Block #	Port Range
1	01-08
2	09-17
3	18-24

This is only a temporary setting. The command is not retained after a power cycle or reboot. For more information regarding this feature see the Management and Configuration Guide which is on the ProCurve Web site at [www.procurve.com/manuals](http://www.procurve.com/manuals).

### LED Mode Select Button and Indicator LEDs

The operation of the Mode LED is controlled by the LED Mode select button, and the current setting is indicated by the LED Mode indicator LEDs near the button. Press the button to step from one view mode to the next.

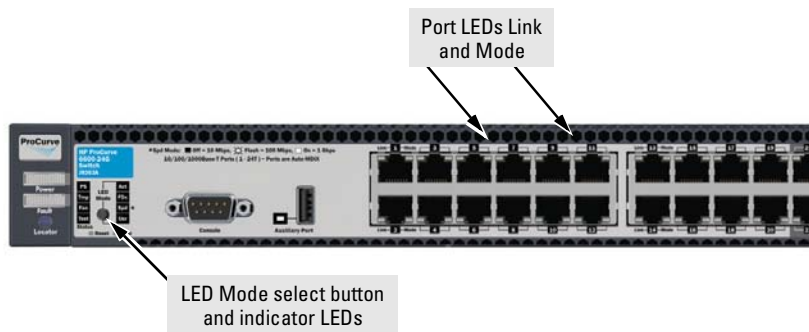


Figure 1-4. ProCurve 6600-24G and 6600-24G-4XG Switches



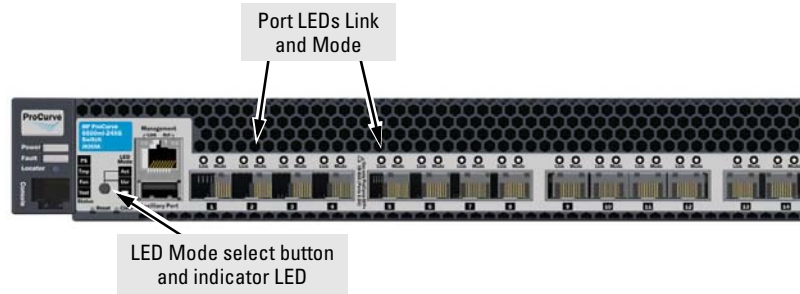


Figure 1-5. ProCurve 6600-24XG Switch

- Each port has a Link LED. If it is lit, the port has a link. If the Link LED is Blinking, the port has failed its self test. The Fault and Self Test LEDs will be Blinking simultaneously.
- If the Activity (Act) indicator LED is lit, each port LED displays activity information for the associated port—it flickers as network traffic is received and transmitted through the port.
- If the Full Duplex (FDx) indicator LED is lit, the port LEDs light for those ports that are operating in full duplex.
- If the Speed (Spd) indicator LED is lit, the port LEDs behave as follows to indicate the connection speed for the port:
  - Off = 10 Mbps
  - Blinking = 100 Mbps (the Blinking behavior is a repeated on/off cycle once every 0.8 sec.)
  - On = 1000 Mbps
- The Usr Mode LED indicates the port is displaying customer-specified information.

## Reset Button

This button is for:

- **Resetting the switch** - When the switch is powered on. This action clears any temporary error conditions that may have occurred and executes the switch self test.
- **Restoring Factory Default Configuration** - When pressed with the Clear button in a specific pattern, any configuration changes you may have made through the switch console, the web browser interface, and SNMP management are removed, and the factory default configuration is restored to the switch. For the specific method to restore the factory default configuration, see [“Restoring the Factory Default Configuration” on page 11](#), in the Troubleshooting chapter of this manual.

## Clear Button

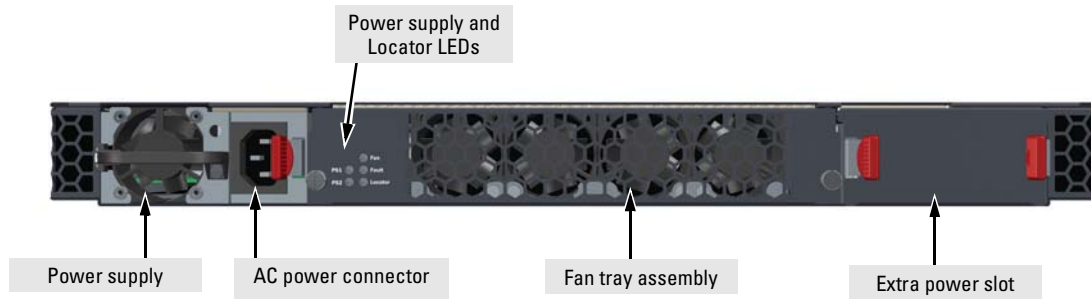
This button is used for:

- **Deleting Passwords** - When pressed by itself for at least one second, the button deletes any switch console access passwords that you may have configured. Use this feature if you have misplaced the password and need console access. This button is provided as a convenience, however if you are concerned with the security of the switch configuration and operation, you should make sure the switch is installed in a secure location. This button can be disabled by a CLI command.
- **Restoring Factory Default Configuration** - See Reset Button above.

## Console Port

This port is used to connect a console to the switch either by using the RJ-45 to DB9 cable or the DB9 to DB9 serial cable supplied with the switch. The Series 6600-24G and 6600-24G-4XG Switches use the DB9 to DB9 serial cable and the 6600-24XG Switch uses the RJ-45 to DB cable. This connection is described under “Connect a Console to the Switch” in chapter 2, “Installing the Switch.” The console can be a PC or workstation running a VT-100 terminal emulator, or a VT-100 terminal.

## Back of the Switch



**Figure 1-6. HP ProCurve Series 6600 Switches. The backs of all these switches are the same.**

### Power Connector

The Series 6600 Switches do not have a power switch; they are powered on when connected to an active AC power source. These switches automatically adjust to any voltage between 100–127 and 200–240 volts and either 50 or 60 Hz. There are no voltage range settings required.

## Switch Features

The features of the Series 6600 Switches include:

- 24 auto-sensing 10/100/1000Base-T RJ-45 ports with Auto-MDIX or 24 SFP+ 10-GbE ports. The 6600-24G-4XG has only 4 SFP+ 10-GbE ports.
- Four dual-personality ports—either the auto sensing 10/100/1000Base-T RJ-45 or the mini-GBIC can be used for each port. The 6600-24XG does not have these dual-personality ports.
- An auxiliary (USB) port for processing a USB command file.
- Plug-and-play networking—all ports are enabled—just connect the network cables to active network devices and your switched network is operational.

- The 6600-24G and the 6600-24G-4XG supports IEEE 802.3ab Auto MDIX on all 10/100/1000 twisted-pair ports, meaning that **all connections can be made using straight-through twisted-pair cables**. Cross-over cables are not required, although they will also work. The pin operation of each port is automatically adjusted for the attached device: if the switch detects that another switch or hub is connected to the port, it configures the port as MDI; if the switch detects that an end-node device is connected to the port, it configures the port as MDI-X.
- Automatic learning of the network addresses in each switch's 8000-address forwarding table, (with configurable address aging value).
- Automatically negotiated full-duplex operation for the 10/100/1000 RJ-45 ports when connected to other auto-negotiating devices—the mini-GBIC ports always operate at full duplex.
- Easy management of the switch through several available interfaces:
  - **console interface**—a full featured, easy to use, VT-100 terminal interface that is especially good for out-of-band switch management or for Telnet access to the switch.
  - **web browser interface**—an easy to use built-in graphical interface that can be accessed from common web browsers.
  - **ProCurve Manager**—an SNMP-based, graphical network management tool that you can use to manage your entire network. This product is included with your new switch.
- Support for the Spanning Tree Protocol to eliminate network loops
- Support for up to 2048 IEEE 802.1Q-compliant VLANs so you can divide the attached end nodes into logical groupings that fit your business needs.
- Support for many advanced features to enhance network performance—for a description, see the *Management and Configuration Guide*, which is on the ProCurve Web site [www.procurve.com/manuals](http://www.procurve.com/manuals).
- Download of new switch software for product enhancements or bug fixes.

# Installing the Switch

The HP ProCurve Series 6600 Switches come with an accessory kit that includes the brackets for mounting the switch in a standard 19-inch telco rack, or in an equipment cabinet. The brackets are designed to allow mounting the switch in a variety of locations and orientations. For other mounting options contact your local ProCurve authorized network reseller or ProCurve representative. This chapter shows how to install the switch.

## Caution

If the switch is to be shipped in a rack, be sure to use only an HP 10K rack. Mount the switch using rail mounting kit, (5070-6532). The switch warranty may be voided.

## Included Parts

The Series 6600 Switches have the following components shipped with them:

- *HP ProCurve Switch Quick Setup* sheet
- *HP ProCurve Switches General Safety and Regulatory Information* booklet
- *Series 6600 Switch Safety and Regulatory Information* sheet
- *Read Me First*
- Customer Support/Warranty booklet
- Console cable
- Accessory kits

<b>5070-6315 used with the J9263A and J9264A</b>	<b>5070-6316 used with the J9265A</b>
two mounting brackets	two mounting brackets
eight 8-mm M4 screws to attach the mounting brackets to the switch	eight 8-mm M4 screws to attach the mounting brackets to the switch
four 5/8-inch number 12-24 screws to attach the switch to a rack	four 5/8-inch number 12-24 screws to attach the switch to a rack

## Installing the Switch Included Parts

### ■ Power cord, one of the following:

Australia/New Zealand	8120-6810
China	8120-8707
Continental Europe	8120-6811
Denmark	8120-6814
Japan	8120-4753
Switzerland	8120-6815
United Kingdom/Hong Kong/Singapore	8120-6809
United States/Canada/Mexico	8120-6812
South Africa	8120-6813
India	8120-6813
Argentina	8120-6869
Thailand	8121-0668
Brazil	8121-1069
Chile	8120-6980
Taiwan	8121-0974
Israel	8121-1035

---

### Japan Power Cord Warning

---

製品には、同梱された電源コードをお使い下さい。  
同梱された電源コードは、他の製品では使用出来ません。

## Installation Precautions:

Follow these precautions when installing the Series 6600 Switches.

---

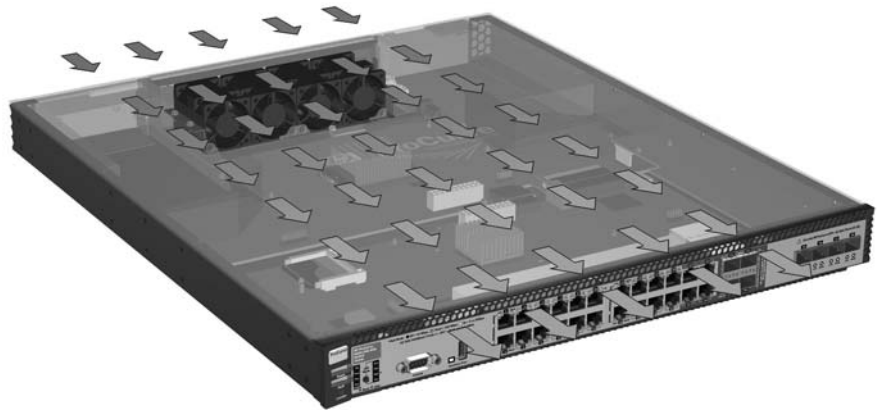
### WARNING

- **The rack or cabinet should be adequately secured to prevent it from becoming unstable and/or falling over.**
- **Devices installed in a rack or cabinet should be mounted as low as possible, with the heaviest devices at the bottom and progressively lighter devices installed above.**
- **Do not wall mount the Series 6600 Switches.**

---

### Cautions

- The Series 6600 Switches should be mounted with the optional Rail Mounting Kit (5070-6532) in an HP 10000 (HP 10K) rack or any 4 post racking solution.
- Ensure the power source circuits are properly grounded, then use the power cord supplied with the switch to connect it to the power source.
- If your installation requires a different power cord than the one supplied with the switch and power supply, be sure the cord is adequately sized for the switch's current requirements. In addition, be sure to use a power cord displaying the mark of the safety agency that defines the regulations for power cords in your country. The mark is your assurance that the power cord can be used safely with the switch and power supply.
- When installing the switch, the AC outlet should be near the switch and should be easily accessible in case the switch must be powered off.
- Ensure the switch does not overload the power circuits, wiring, and over-current protection. To determine the possibility of overloading the supply circuits, add together the ampere ratings of all devices installed on the same circuit as the switch and compare the total with the rating limit for the circuit. The maximum ampere ratings are usually printed on the devices near the AC power connectors.
- Do not install the switch in an environment where the operating ambient temperature might exceed 40°C (104°F).
- Ensure the air flow around the front and back of the switch is not restricted. Leave at least 7.6 cm (3 inches) for cooling. See [page 2-4](#) for the air flow direction.



**Figure 2-1. Default air flow direction of the Series 6600 Switches is from power to ports.**

The direction of air flow can be reversed from the default direction shown in figure 2-1 by reversing the direction of the fans. See step 3 below, Reversing the air flow.

---

## Installation Procedures

### Summary

1. **Prepare the installation site** ([page 2-5](#)). Ensure the physical environment is properly prepared, including having the correct network cabling ready to connect to the switch and having an appropriate location for the switch. See [page 2-3](#) for some installation precautions.
2. **Verify the switch passes self test** ([page 2-5](#)). Plug the switch into a power source and observe that the LEDs on the switch's front panel indicate correct switch operation. When self test is complete, unplug the switch.
3. **(Optional) Reversing the air flow** ([page 2-8](#)) The direction of air flow can be reversed from the default direction by reversing the fans.
4. **Mount the switch** ([page 2-10](#)). The Switch can be mounted in a 19-inch telco rack, or in an equipment cabinet.



5. **Connect power to the switch** ([page 2-14](#)). Once the switch is mounted, plug it into the nearby main power source.
6. **(Optional) Install or remove mini-GBICs or SFPs** ([page 2-15](#)). The switch has four slots for installing mini-GBICs. Depending on where you will mount the switch, it may be easier to install the mini-GBICs first. Mini-GBICs can be installed or removed while the switch is powered on.
7. **Connect the network cables** ([page 2-18](#)). Using the appropriate network cables, connect the network devices to the switch ports.
8. **(Optional) Connect a console to the switch** ([page 2-19](#)). You may wish to modify the switch's configuration, for example, to configure an IP address so it can be managed using a web browser, from an SNMP network management station, or through a Telnet session. Configuration changes can be made easily by using the included console cable to connect a PC to the switch's console port.

At this point, the switch is fully installed. See the rest of this chapter if you need more detailed information on any of these installation steps.

## 1. Prepare the Installation Site

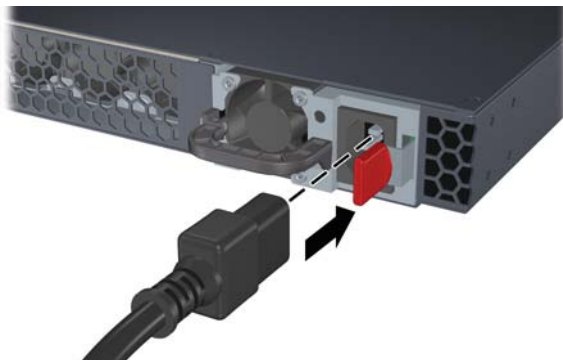
**Cabling Infrastructure** - Ensure the cabling infrastructure meets the necessary network requirements. See Appendix B "[Cabling and Technology Information](#)" for more information.

- **Installation Location** - Before installing the switch, plan its location and orientation relative to other devices and equipment:
  - In the front of the switch, leave at least 7.6 cm (3 inches) of space for the twisted-pair, fiber-optic cabling, and cooling. See Figure 2-1 for the air flow direction.
  - In the back of the switch, leave at least 3.8 cm (1 1/2 inches) of space for the power cord and cooling.

## 2. Verify the Switch Passes Self Test

Before mounting the switch in its network location, you should first verify it is working properly by plugging it into a power source and verifying it passes self test.

1. Connect the power cord supplied with the switch to the power connector on the back of the power supply, and then into a properly grounded electrical outlet.



**Figure 2-2. Connecting the power cord.**

---

**Note**

The Series 6600 Switches do not have a power switch. They are powered on when the power cord is connected to the power supply and to a power source. For safety, the power outlet should be located near the switch installation.

The power supply cannot be removed when the power cord is connected.

The switch automatically adjusts to any voltage between 100-127 and 200-240 volts and either 50 or 60 Hz. No voltage range settings are required.

If your installation requires a different power cord than the one supplied with the switch, be sure to use a power cord displaying the mark of the safety agency that defines the regulations for power cords in your country. The mark is your assurance that the power cord can be used safely with the switch.

- 
2. Check the LEDs on the switch as described below. When the switch is powered on, it performs its diagnostic self test. Self test takes approximately 50 seconds to complete.

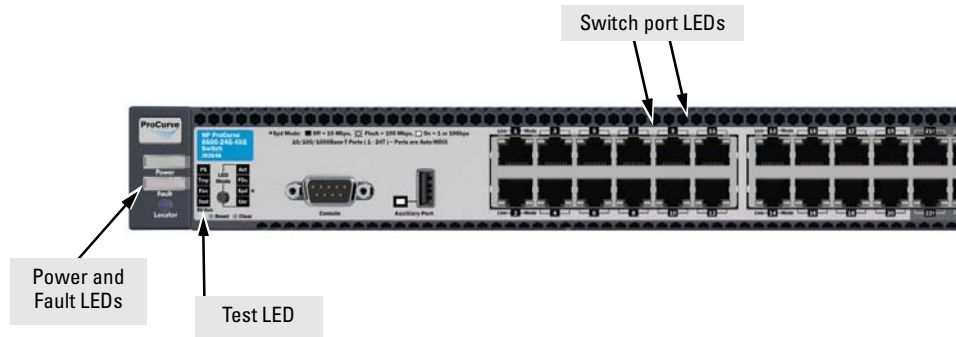


Figure 2-3. Checking the LEDs on the 6600-24G and 6600-24G-4XG

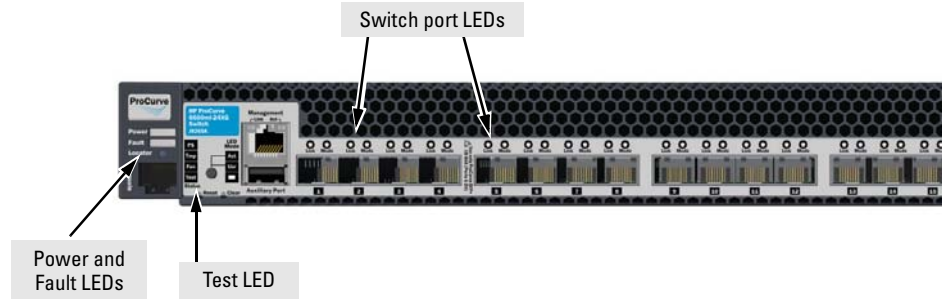


Figure 2-4. Checking the LEDs on the 6600-24XG

### LED Behavior:

#### During the self test:

- Initially, all the status, LED Mode and port LEDs are on for most of the duration of the test.
- Most of the LEDs go off and then may come on again during phases of the self test. For the duration of the self test, the Test LED stays on.

#### When the self test completes successfully:

- The **Power** and **Fan Status** LEDs remain on.
- The **Fault** and **Test** LEDs go off.
- The port LEDs on the front of the switch go into their normal operational mode:

- If the ports are connected to active network devices, the LEDs behave according to the LED Mode selected. In the default view mode (Link), the LEDs should be on.
- If the ports are not connected to active network devices, the LEDs will stay off.

If the LED display is different than what is described above, especially if the **Fault** and **Test LEDs** stay on for more than 60 seconds or they start blinking, the self test has not completed correctly. Refer to chapter 4, “Troubleshooting” for diagnostic help.

### 3. (Optional) Reversing the air flow

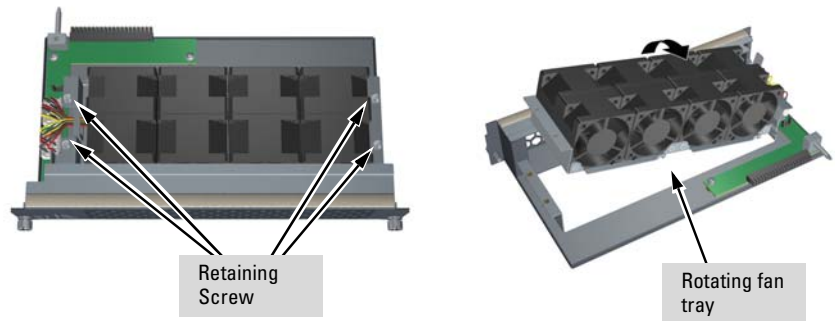
If desired, the air flow direction can be reversed by following these steps. This is not a hot swap operation. Make sure this is done during planned down time.

1. Remove the fan tray assembly
  - a. Unscrew the retaining screws
  - b. Holding the two retaining screws, pull the fan tray assembly straight out.

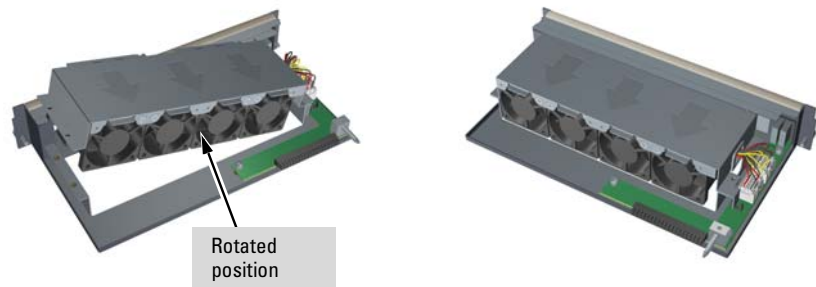


2. Using a T10 screwdriver, remove the four retaining screws.

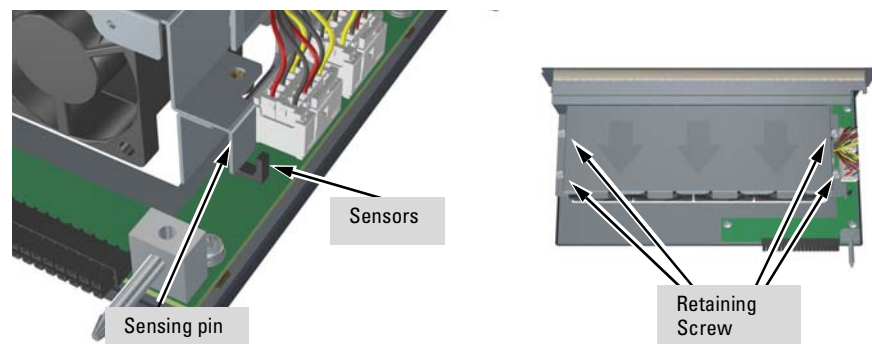
3. Lift the fan assembly from the fan tray high enough to turn it over.



4. Rotate the fan assembly 180 degrees and replace the fan assembly into the fan tray, sheet metal side up.



5. Take care to align the sensing pin between the two sensors and replace the 4 retaining screws.



6. Replace the fan tray assembly into the switch.
7. Tighten the retaining screws.

## 4. Mount the Switch

After the switch passes self test, it is ready to be mounted in a stable location.

### Rack or Cabinet Mounting

The Series 6600 Switches are designed to be mounted in any EIA-standard 19-inch telco rack or communication equipment cabinet using the balanced or center mounting orientation, see figure 2-5. Flush mounting in a two post rack is not supported. Or with the optional Rail Mounting Kit (5070-6532) in an HP 10000 (HP 10K) rack or any 4 post racking solution, see figures 2-6 through 2-10. Secure the rack in accordance with the manufacture's safety guidelines.

---

#### WARNING

---

**For safe operation, please read the mounting precautions on [page 2-3](#), before mounting a switch.**

---

#### Equipment Cabinet Note

---

The 12-24 screws supplied with the switch are the correct threading for standard EIA/TIA open 19-inch racks. If you are installing the switch in an equipment cabinet such as a server cabinet, use the clips and screws that came with the cabinet in place of the 12-24 screws that are supplied with the switch.

Complete step 1, and plan which four holes you will be using in the cabinet and install all four clips. Then proceed to step 2.

---

#### Note

---

The mounting brackets have multiple mounting holes and can be rotated allowing for a wide variety of mounting options. These include mounting it in a more balanced position (which is the ProCurve recommended option for the Series 6600 Switches when mounting in a two post rack) as shown in Figure 2-5, or mounting the switch so its front face is flush with the face of the rack, as shown in Figure 2-6. This installation is used for mounting in a four post HP 10K rack, see Figure 2-9.



**Figure 2-5. Mounting in a two post rack using the balanced option.**

1. Use a #1 Phillips (cross-head) screwdriver and attach the mounting brackets to the switch with the included 8-mm M4 screws. Remember to use the correct accessory kit for your switch, see [page 2-1](#).



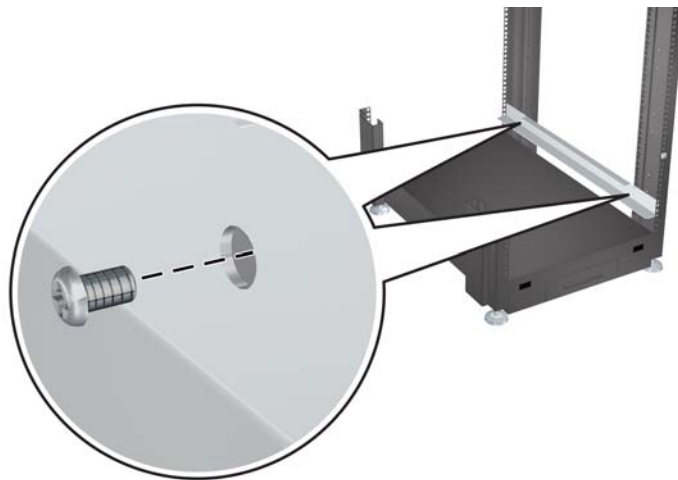
**Figure 2-6. Example attaching mounting brackets**

2. Attach the holding brackets. Ensure the holes of the brackets and the screws are aligned to the bottom of the switch.



**Figure 2-7. Installing the rail mounting holding brackets**

3. Install the rails.



**Figure 2-8. Mounting rails in a four-post HP 10K rack**



4. Slide the switch into the rails



**Figure 2-9. Sliding the switch into the rails**

5. Hold the switch with attached brackets up to the rack and move it vertically until rack holes line up with the bracket holes, then insert and tighten the four number 12-24 screws holding the brackets to the rack.



**Figure 2-10. Mounting in a rack**

---

**Caution**

---

Make sure the air flow is not restricted in the front or back of the switch. See Figure 2-1 on [page 2-4](#) for the air flow direction.

## 5. Connect the Switch to a Power Source

1. Plug the included power cord into the switch's power connector and into a nearby AC power source.
2. Re-check the LEDs during self test. See "LED Behavior" on [page 2-7](#).

### Securing the power cord

1. Connect the power cord to the power supply.
2. Make a small loop in the power cord, approximately 3 to 4 inches and insert the velcro strap through the loop and through the handle on power supply.
3. Insert the end of the velcro strap through the slot in the other end of the velcro strap.
4. Tighten the velcro strap around the loop in the power cord.
5. Wrap the excess velcro strap around the power cord loop and through the power supply handle a couple of times and secure the velcro strap to itself.

1.



2.



3.



4.



5.



## 6. (Optional) Install or Remove mini-GBICs or SFPs

You can install or remove a mini-GBIC from a mini-GBIC slot without having to power off the switch. Use only ProCurve transceiver accessories.

---

### Notes

- The mini-GBIC slots are shared with the four 10/100/1000Base-T RJ-45 ports. If a mini-GBIC is installed in a slot, the associated RJ-45 port is disabled and cannot be used.
  - The mini-GBICs operate only at full duplex. Half duplex operation is not supported.
  - Inserting a 10-GbE transceiver (SFP+) into a 1 gigabit (mini-GBIC) slot, will generate an event log message, “Transceiver type not supported by this port”, and the transceiver will not function. The reverse is true also, inserting a 1 gigabit (mini-GBIC) transceiver into a 10-GbE slot will generate an event log message and the transceiver will not function.
  - Ensure the network cable is NOT connected when you install or remove a mini-GBIC unless you are using a Direct Attach Cable (DAC).
-

---

**Note**

Direct attach cables (DAC) are low-cost 10-GbE connectivity options consisting of a one, three, or seven meter cable with SFP+ connectors permanently attached to each end.



**Figure 2-11. One meter DAC**

---

**Caution**

Use only supported genuine HP ProCurve transceiver accessories with your switch. Non-ProCurve transceiver accessories are not supported, and their use may result in product malfunction. Should you require additional ProCurve transceiver accessories, contact your ProCurve Networking Sales and Service Office or authorized dealer.

**Installing the Mini-GBICs or SFP+ Transceivers:**

Hold the mini-GBIC by its sides and gently insert it into any of the mini-GBIC slots on the switch until the mini-GBIC clicks into place.



**Figure 2-12. Installing a Mini-GBIC or SFP**

---

**WARNING**

---

**The ProCurve mini-GBICs are Class 1 laser devices. Avoid direct eye exposure to the beam coming from the transmit port.**

### SFP and SFP+ transceivers Plug-in, Fault and Alert behaviors.

Working SFP Transceiver plugged into SFP slot 21S, 22S, 23S or 24S:

- When the switch recognizes the transceiver, the Mode LED turns on solid for 2 seconds and then goes to normal operation.
  - After inserting a mini-GBIC, do not remove it until the Mode LED has turned off.

Working SFP+ Transceiver plugged into SFP+ slot 25, 26, 27 & 28:

- When the switch recognizes the transceiver, the Mode LED turns on solid for 2 seconds and then goes to normal operation.
  - After inserting an SFP+ transceiver, do not remove it until the Mode LED has turned off.

For a faulty or non-ProCurve Transceiver:

- The switch Fault LED and port Link LED for the affected port would be slow flashed for situations that cannot be fixed by the customer.

For working but unsupported transceiver including:

1. SFP transceiver into SFP+ slot 25, 26, 27 or 28
2. SFP+ transceiver into SFP slot 21S, 22S, 23S or 24S:
  - Orange fast flash on the port's Link LED for the affected port, plus appropriate log messages. Examples include transceivers are not supported by the current software, or are the wrong revision, or are the wrong type.

### Removing the mini-GBICs:

---

**Note**

---

You should disconnect the network cable from the mini-GBIC before removing it from the switch.

Depending on when you purchased your ProCurve mini-GBIC, it may have either of three different release mechanisms:

- a plastic tab on the bottom of the mini-GBIC
- a plastic collar around the mini-GBIC
- a wire bail

To remove the mini-GBICs that have the plastic tab or plastic collar, push the tab or collar toward the switch until you see the mini-GBIC release from the switch (you can see it move outward slightly), and then pull it from the slot.

To remove the mini-GBICs that have the wire bail, lower the bail until it is approximately horizontal, and then using the bail, pull the mini-GBIC from the slot.

## 7. Connect the Network Cables

Connect the network cables, described under “Cabling Infrastructure” ([page 2-5](#)), from the network devices or your patch panels to the fixed RJ-45 ports on the switch or to any mini-GBICs you have installed in the switch.

### Using the RJ-45 Connectors

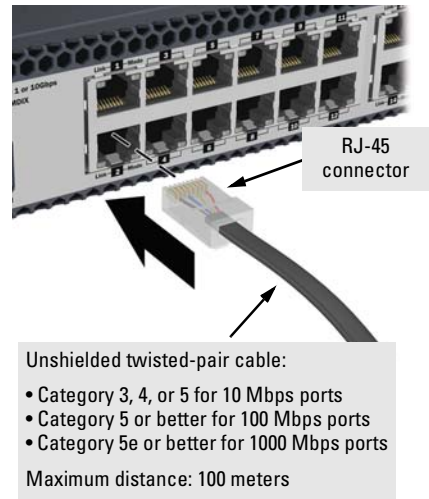
**To connect:**

Push the RJ-45 plug into the RJ-45 jack until the tab on the plug clicks into place. When power is on for the switch and for the connected device, the Link LED for the port should light to confirm a powered-on device (for example, an end node) is at the other end of the cable.

If the Link LED does *not* go on when the network cable is connected to the port, see “[Diagnosing with the LEDs](#)” on [page 5-4](#), in chapter 5, “Troubleshooting”.

**To disconnect:**

Press the small tab on the plug and pull the plug out of the jack.



**Figure 2-13. Connecting RJ-45s**

### Connecting Cables to mini-GBICs

**Note**

Each of the four mini-GBIC slots is shared with the associated 10/100/1000Base-T RJ-45 port. If a mini-GBIC is installed in a slot, the associated RJ-45 port is disabled.

If you have any mini-GBICs installed in the switch, the type of network connections you will need to use depends on the type of mini-GBICs you have installed. See Appendix B, “[Cabling and Technology Information](#)”, for the mini-GBIC cabling information.

For mini-GBICs ports, and in general for all the switch ports, when a network cable from an active network device is connected to the port, the port LED for that port should go on. If the port LED does *not* go on when the network cable is connected to the port, see “[Diagnosing with the LEDs](#)” on page 5-4 in chapter 5, “Troubleshooting”.



**Figure 2-14. Connecting a Fiber cable connector**

## 8. (Optional) Connect a Console to the Switch

The switch has a full-featured, easy to use console interface for performing switch management tasks including the following:

- monitor switch and port status and observe network activity statistics
- modify the switch's configuration to optimize switch performance, enhance network traffic control, and improve network security
- read the event log and access diagnostic tools to help in troubleshooting
- download new software to the switch
- add passwords to control access to the switch from the console, web browser interface, and network management stations

The console can be accessed through these methods:

- **Out-of-band:** The switch comes with a cable for connecting a PC or VT-100 terminal, to be used as a console, directly to the switch. You can use the console port only for out-of-band management. It cannot be used for a Telnet connection.
- **In-Band:** Manage the switch using Telnet from a PC or UNIX workstation on the network, and a VT-100 terminal emulator. This method requires that you first configure the switch with an IP address and subnet mask by using either out-of-band console access or through DHCP/Bootp. For more information on IP addressing and on starting a Telnet session, see chapter 3, “[Getting Started With Switch Configuration](#)”, and the *Management and Configuration Guide*, which is on the ProCurve Web site at [www.procurve.com/manuals](http://www.procurve.com/manuals).

The Switch can simultaneously support one out-of-band console session through the Console Port and one in-band Telnet console session.

## Terminal Configuration

To connect a console to the switch, configure the PC terminal emulator as a DEC VT-100 (ANSI) terminal or use a VT-100 terminal, and configure either one to operate with these settings:

- any baud rate from 1200 to 115200 (the switch senses the speed)
- 8 data bits, 1 stop bit, no parity, and flow control set to Xon/Xoff
- for the Windows Terminal program, also disable (uncheck) the “Use Function, Arrow, and Ctrl Keys for Windows” option
- for the Hilgraeve HyperTerminal program, select the “Terminal keys” option for the “Function, Arrow, and Ctrl Keys act as” parameter

If you want to operate the console using a different configuration, make sure you change the settings on both the terminal and on the switch so they are compatible. Change the switch settings first, save your changes, then change the terminal settings, then reboot the switch and reestablish the console session.

## Direct Console Access

To connect a console to the switch, follow these steps:

1. Connect the PC or terminal to the switch's Console Port using the console cable included with the Switch. (If your PC or terminal has a 25-pin serial connector, first attach a 9-pin to 25-pin straight-through adapter at one end of the console cable.)

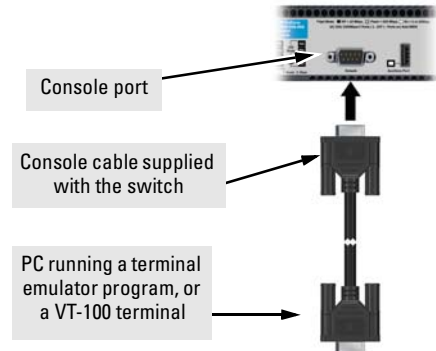


Figure 2-15. Connecting the console cable

---

### Note

The ProCurve Switch 6600-24XG (J9265A) is shipped with an RJ-45 to 9-pin console cable.



2. Turn on the terminal or PC's power and, if using a PC, start the PC terminal program.
3. Press **[Enter]** two or three times and you will see the copyright page and the message "Press any key to continue". Press a key, and you will then see the switch console command (CLI) prompt, for example:

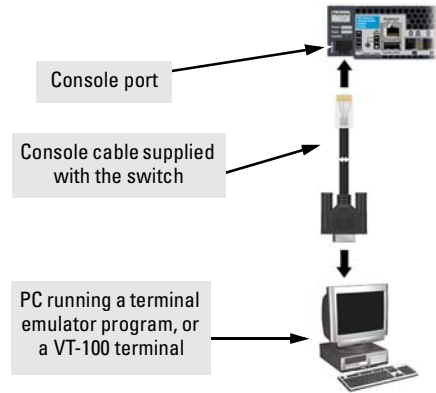


Figure 2-16. Connecting the console cable

### ProCurve Switch 6600-24G#

If you want to continue with console management of the switch at this time, see chapter 3, "Getting Started With Switch Configuration" for some basic configuration steps. For more detailed information, refer to the *Management and Configuration Guide*, which is on the ProCurve Web site at [www.procurve.com/manuals](http://www.procurve.com/manuals).

### Console Cable Pinouts

The console cable has an RJ-45 male connector on one end and a DB-9 female connector on the other end. Table 2-16 describes the mapping of the RJ-45 to DB-9 pins.

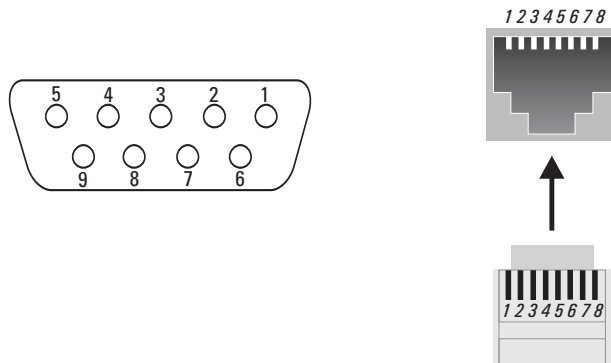


Figure 2-17. RJ-45 to DB-9 pinouts

**Table 2-18. Mapping of RJ-45 to DB-9**

RJ-45 (Signal reference from Chassis)		DB-9 (Signal reference from PC)	
RTS	1	8	CTS
TX_Debug	2	6	DSR
TXD	3	2	RXD
GND	4	5	GND
DCD	5	1	DCD
RXD	6	3	TXD
RX_Debug	7	4	DTR
CTS	8	7	RTS
		9	RI

---

## Sample Network Topology

An industry standard building block approach requires that applications can be adapted to a common server environment. Virtualization of these resources allows for improved scaling, flexibility, and efficient use of resources, while delivering seamless interoperability.

In such a model, server/access layer network infrastructure can be completely standardized and continuously deployed without regard to application requirements.

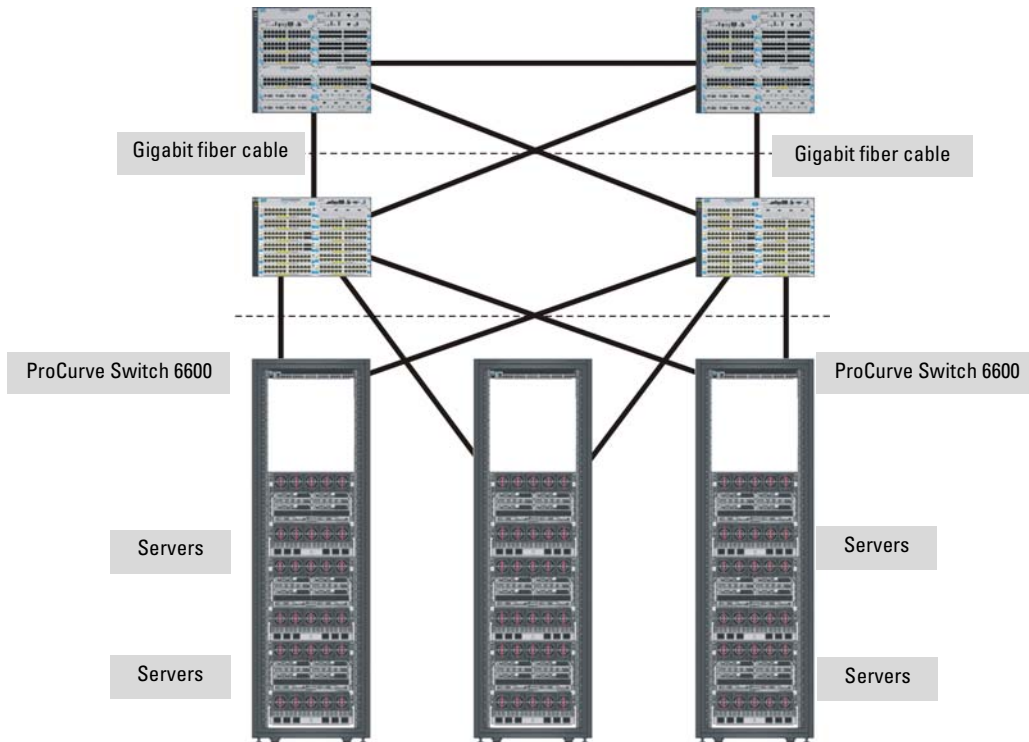


Figure 2-19. Example topology



# Getting Started With Switch Configuration

---

This chapter is a guide for using the console Switch Setup screen to quickly assign an IP (Internet Protocol) address and subnet mask to the switch, set a Manager password, and, optionally, configure other basic features.

For more information on using the switch console and the other switch management interfaces: the web browser interface and the SNMP management tool, ProCurve Manager, please see the *Management and Configuration Guide*, which is on the ProCurve Web site at [www.procurve.com/manuals](http://www.procurve.com/manuals).

## Recommended Minimal Configuration

In the factory default configuration, the switch has no IP (Internet Protocol) address and subnet mask, and no passwords. In this state, it can be managed only through a direct console connection. To manage the switch through in-band (networked) access, you should configure the switch with an IP address and subnet mask compatible with your network. Also, you should configure a Manager password to control access privileges from the console and web browser interface. Other parameters in the Switch Setup screen can be left at their default settings or you can configure them with values you enter.

Many other features can be configured through the switch's console interface, to optimize the switch's performance, to enhance your control of the network traffic, and to improve network security. Once an IP address has been configured on the switch, these features can be accessed more conveniently through a remote Telnet session, through the switch's web browser interface, and from an SNMP network management station running a network management program, such as ProCurve Manager. For a listing of switch features available with and without an IP address, refer to "How IP Addressing Affects Switch Operation" in the *Management and Configuration Guide*, which is on the ProCurve Web site at [www.procurve.com/manuals](http://www.procurve.com/manuals).

For more information on IP addressing, refer to "IP Configuration" in the *Management and Configuration Guide*.

**Note**

By default, the switch is configured to acquire an IP address configuration from a DHCP or Bootp server. To use DHCP/Bootp instead of the manual method described in this chapter, see “DHCP/Bootp Operation” in the *Management and Configuration Guide*, which is on the ProCurve Web site at [www.procurve.com/manuals](http://www.procurve.com/manuals).

## Using the Console Setup Screen

The quickest and easiest way to minimally configure the switch for management and password protection in your network is to use a direct console connection to the switch, start a console session, and access the Switch Setup screen.

1. Using the method described in the preceding section, connect a terminal device to the switch and display the switch console command (CLI) prompt (the default display).

The CLI prompt appears displaying the switch model number:

```
ProCurve 6600-24G Switch#
```

2. At the prompt, enter the **setup** command to display the Switch Setup screen. The following illustration shows the Setup screen with the default settings.

```
ProCurve Switch 6600-24G                               1-Jan-2008  2:59:24
----- CONSOLE - MANAGER MODE -----
                          Switch Setup

System Name :      ProCurve Switch 6600-24G
System Contact :
Manager Password :                               Confirm Password :
Logon Default : CLI                               Time Zone [0] : 0
Community Name : public                           Spanning Tree Enabled [No] : No

Default Gateway :
Time Sync Method [None] : TIMEP
TimeP Mode [Disabled] : Disabled

IP Config [DHCP/Bootp] : DHCP/Bootp
IP Address :
Subnet Mask :

Actions->  C_a_n_c_e_l      E_d_i_t      S_a_v_e      H_e_l_p

Enter System Name - up to 25 characters.
Use arrow keys to change field selection, <Space> to toggle field choices,
and <Enter> to go to Actions.
```

3. Use the **[Tab]** key to select the **Manager Password** field and enter a manager password of up to 16 characters.

4. [Tab] to the **IP Config (DHCP/Bootp)** field and use the Space bar to select the **Manual** option.
5. [Tab] to the **IP Address** field and enter the IP address that is compatible with your network.
6. [Tab] to the **Subnet Mask** field and enter the subnet mask used for your network.
7. Press [Enter], then [S] (for **S**ave).

Here is some information on the fields in the Setup screen. For more information on these fields, see the *Management and Configuration Guide*, which is on the ProCurve Web site at [www.procurve.com/manuals](http://www.procurve.com/manuals):

Parameter	Default	
System Name	blank	Optional; up to 25 characters, including spaces
System Contact	blank	Optional; up to 48 characters, including spaces
Manager Password	blank	Recommended; up to 16 characters (no blank spaces)
Logon Default	CLI	The default setting selects the command line interface for console access. The alternative is the menu interface.
Time Zone	0 (none)	Optional; 1440 to -1440. The number of minutes your location is to the West (-) or East (+) of GMT.
Community Name	public	Default setting recommended.
Spanning Tree Enabled	No	Default setting recommended unless STP is already running on your network or the switch will be used in complex network topologies.
Default Gateway	blank	Optional; Enter the IP address of the next-hop gateway node if network traffic needs to be able to reach off-subnet destinations.
Time Sync Method	None	Optional; The protocol the switch uses to acquire a time signal. The options are SNTP and TimeP.
TimeP Mode	Disabled	Optional; The method the switch uses to acquire the TimeP server address.
IP Config (DHCP/Bootp)	DHCP/Bootp	Set to Manual unless a DHCP/Bootp server is used on your network to configure IP addressing.
IP Address	xxx.xxx.xxx.xxx	Recommended; If you set IP Config to Manual, then enter an IP address compatible with your network.
<b>Note:</b> The IP address and subnet mask assigned for the switch must be compatible with the IP addressing used in your network. For more information on IP addressing, see the <i>Management and Configuration Guide</i> , which is on the ProCurve Web site at <a href="http://www.procurve.com/manuals">www.procurve.com/manuals</a> .		
Subnet Mask	xxx.xxx.xxx.xxx	Recommended; If you entered an IP address, then enter a subnet mask compatible with your network.

## Where to Go From Here

The above procedure configures your switch with a Manager password, IP address, and subnet mask. As a result, with the proper network connections, you can now manage the switch from a PC equipped with Telnet, a web browser interface, or from an SNMP-based network management station using a tool such as ProCurve Manager.

Some basic information on managing your switch is included in the next section. For more information on the console, web browser, and SNMP management interfaces and all the features that can be configured on the switch, see the *Management and Configuration Guide*, which is on the ProCurve Web site at [www.procurve.com/manuals](http://www.procurve.com/manuals).

### To Recover from a Lost Manager Password

If you cannot start a console session at the manager level because of a lost Manager password, you can clear all passwords and user names by getting physical access to the switch and pressing and holding the Clear button for a full second.



# Using the IP Address for Remote Switch Management

The switch's IP address can be used to manage the switch from any PC that is on the same subnet as the switch. Either a Telnet session or a standard web browser can be used to manage the switch.

## Starting a Telnet Session

To access the switch through a Telnet session, follow these steps:

1. Make sure the switch is configured with an IP address and that the switch is reachable from the PC that is running the Telnet session (for example, by using a Ping command to the switch's IP address).
2. Start the Telnet program on a PC that is on the same subnet as the switch and connect to the switch's IP address.
3. You will see the copyright page and the message "Press any key to continue". Press a key, and you will then see the switch console command (CLI) prompt, for example:

**ProCurve 6600-24G-4XG Switch#**

Enter **help** or **?** to see a list of commands that can be executed at the prompt. Entering any command followed by **help** provides more detailed context help information about the command. Entering any command followed by **?** displays a list of options that are available at that point in the command entry.

## Starting a Web Browser Session

Your Switch can be managed through a graphical interface that you can access from any PC or workstation on the network by running your web browser and typing in the switch's IP address as the URL. No additional software installation is required to make this interface available; it is included in the switch's onboard software.

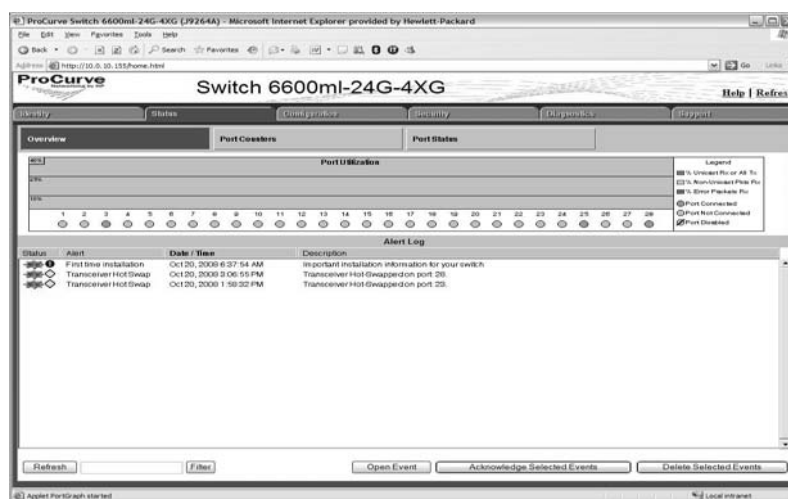
The operating systems, web browsers, and Java support required to manage the switch through the browser interface are listed in the following table:

## Getting Started With Switch Configuration

### Using the IP Address for Remote Switch Management

Operating System	Internet Explorer	Java Version
Windows 2000 SP4	5.5 SP2, 6.0 SP1	1.3.1_12 and 1.4.2_05
Windows XP SP1a	6.0 SP1	1.3.1_12 and 1.4.2_05
Windows Server 2003	6.0 SP1	1.3.1_12 and 1.4.2_05

The following illustration shows a typical web browser interface screen.



For more information on using the web browser interface, see the *Management and Configuration Guide*, which is on the ProCurve Web site at [www.procurve.com/manuals](http://www.procurve.com/manuals).

An extensive help system is also available for the web browser interface. To access the help system though, the subnet on which the switch is installed must have access to the internet, or ProCurve Manager needs to be installed on a network management station that is on the subnet.

# Replacing Components

---

This chapter shows you how to remove and install the following components:

- Fan tray (see [page 4-1](#))
- Battery (see [page 4-3](#))
- Power Supplies (see [page 4-5](#))

---

## Hot Swapping

---

The battery cannot be hot swapped. The switch must be powered off to replace the battery because the top must be removed.

---

## Caution

---

The HP ProCurve Series 6600 Switch and its components are sensitive to static discharge. Use an antistatic wrist strap and observe all static precautions when replacing components.

---

---

## Replacing the fan tray assembly

When a fan fails the Fan Status LED on the switch chassis will blink simultaneously with the switch Fault LED. In this case, the entire fan tray assembly needs to be replaced. Individual fans cannot be replaced.

The fan tray assembly is hot swappable. It can be removed and replaced without removing power from the switch. However, install the new fan tray assembly immediately (within two minutes) after removing the old fan tray assembly to avoid overheating and switch shutdown.

---

## WARNING

---

**To avoid contact with spinning fans, if you are hot swapping out the fan tray assembly, pull the assembly out one-inch and allow the fans to stop rotating (approximately 5 seconds) before pulling it all the way out.**

---

---

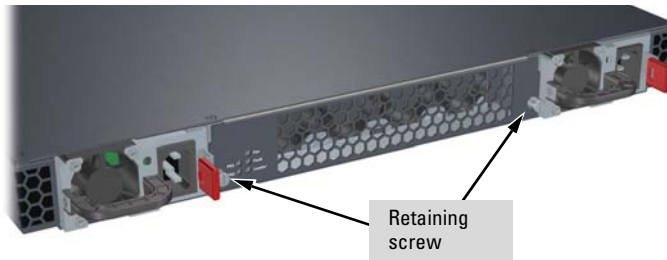
**Caution**

---

If the fan assembly is replaced with the switch powered on, you will have approximately three minutes before the switch overheats.

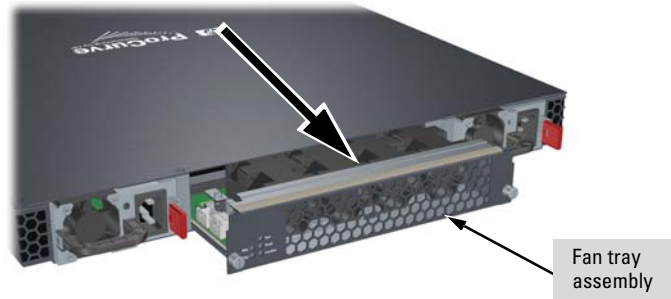
To replace a fan tray assembly:

1. Unscrew the retaining screws.



**Figure 4-1. Fan tray assembly retaining screws**

2. Holding the two retaining screws, pull the fan tray assembly straight out.



**Figure 4-2. Removing the fan tray assembly**

3. Remove the new fan tray assembly from its packaging.

---

**Note**

---

Before installing the new fan tray assembly be sure the air flow direction is the same as the fan tray assembly being replaced.

4. Holding the new fan tray assembly by the two retaining screws insert the new fan tray assembly fully. The face plate of the fan tray will be flush with the back face of the switch.
5. Engage the retaining screws and tighten. Be sure to not over tighten the screws.

## Replacing the Battery

The battery is used to keep time for the internal switch clock. There is not LED indicator for when the battery no longer has sufficient power. The only indication will be the internal clock will not keep the correct time. The battery is not hot swappable. Replacing the battery must be done during scheduled downtime.

---

### WARNING

- **The battery requires special handling at end-of-life. The battery can explode or cause burns if disassembled, charged, or exposed to water, fire or high temperature. After replacing the battery, properly dispose of used battery according to instructions.**
  - **There is a risk of explosion if the battery is replaced by an incorrect type. Ensure to replace the battery with the same type.**
- 

### Installing a New Battery

---

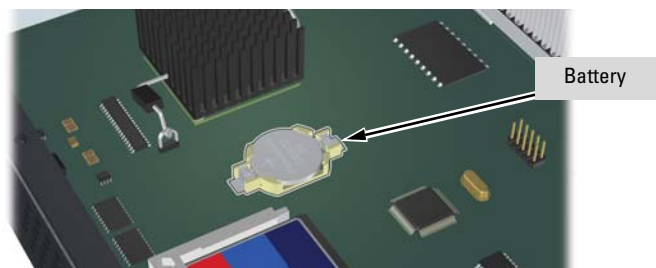
### WARNING

**To avoid the possibility of electric shock, all power cords must be disconnected from the switch and both power supplies must be removed before starting this procedure. The top has an interlocking mechanism that prohibits removal until the power supplies are removed.**

---

#### To install (or replace) a Battery:

1. Disconnect the power cable(s) and remove both power supplies.
2. Using a Torx T-8 screwdriver remove all the screws securing the top of the switch and remove the top. The top is interlocked with the power supplies and cannot be removed until the power supplies are removed.
3. Remove the used battery and dispose of properly.



## Replacing Components

### Replacing the Battery

4. Insert a new battery with the lettering and the plus “+” sign facing up. Be sure to replace with the same type of battery.
5. Reinstall the top of the switch.
6. Reinstall and tighten all the screws securing the top.
7. Reconnect the power cable(s).

---

#### ATTENTION

Il y a danger d'explosion s'il y a un remplacement incorrect de la batterie.

Remplacer uniquement avec une batterie du même type ou d'un type équivalent recommandé par le constructeur.

Mettre au rebut les batteries usagées conformément aux instructions du fabricant.

---

---

#### ATTENTION

If this product contains a real-time clock battery or coin cell battery it may contain perchlorate and may require special handling when recycled or disposed of in California and other certain states.

Perchlorate material - special handling may apply see:

[www.dtsc.ca.gov/hazardouswaste/perchlorate](http://www.dtsc.ca.gov/hazardouswaste/perchlorate) Web site for more information."

---

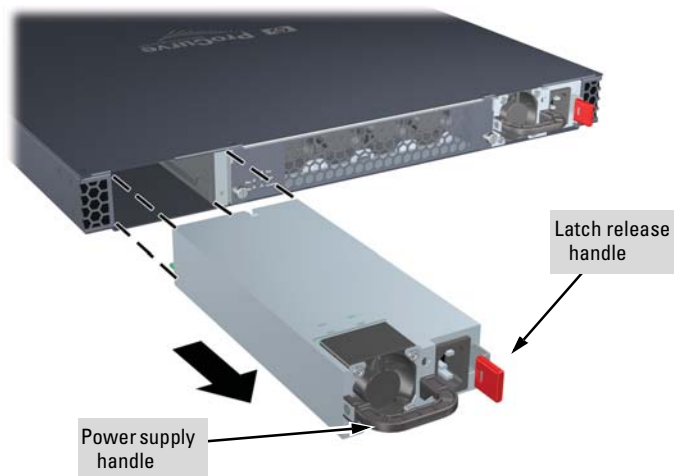
---

## Replacing the Power Supplies

If your HP ProCurve Series 6600 Switch is configured with redundant power supplies, the switch will not suffer any loss of traffic or performance if a power supply fails. Replace the failed component as soon as possible. The PS (Power Supply) LED will blink simultaneously with the switch Fault LED indicating a power supply has failed.

### To remove an AC power supply:

1. Ensure the failed power supply is not plugged into an AC power source.
2. Grasping the handle of the failed power supply release the locking mechanism by squeezing the latch handle and remove the failed power supply.



3. Insert the new power supply. Slide it in all the way in until the locking mechanism locks.





# Troubleshooting

---

This chapter describes how to troubleshoot your switch. This document describes troubleshooting mostly from a hardware perspective. You can perform more in-depth troubleshooting on the switch using the software tools available with the switch, including the full-featured console interface, the built-in web browser interface, and ProCurve Manager, the SNMP-based network management tool. For more information, see the chapter “Troubleshooting” in the *Management and Configuration Guide*, which is on the ProCurve Web site at [www.procurve.com/manuals](http://www.procurve.com/manuals).

This chapter describes the following:

- Basic Troubleshooting Tips ([page 5-1](#))
  - Diagnosing with the LEDs ([page 5-4](#))
  - Proactive Networking Tools ([page 5-8](#))
  - Hardware Diagnostic Tests ([page 5-9](#))
  - Restoring the Factory Default Configuration ([page 5-11](#))
  - Downloading New Switch Software ([page 5-12](#))
  - HP Customer Support Services ([page 5-12](#))
- 

## Basic Troubleshooting Tips

Most problems are caused by the following situations. Check for these items first when starting your troubleshooting:

- **Connecting to devices that have a fixed full-duplex configuration.** The RJ-45 ports are configured as “Auto”. That is, when connecting to attached devices, the switch will operate in one of two ways to determine the link speed and the communication mode (half duplex or full duplex):
    - If the connected device is also configured to Auto, the switch will automatically negotiate both link speed and communication mode.
    - If the connected device has a fixed configuration, for example 100 Mbps, at half or full duplex, the switch will automatically sense the link speed, but will default to a communication mode of *half duplex*.
-

---

## Caution

Because the switch behaves in this way (*in compliance with the IEEE 802.3 standard*), if a device connected to the switch has a fixed configuration at *full duplex*, the device will not connect correctly to the switch. The result will be high error rates and very inefficient communications between the switch and the device.

Make sure all devices connected to the switch are configured to auto negotiate, or are configured to connect at half duplex (all hubs are configured this way, for example).

- **Faulty or loose cables.** Look for loose or obviously faulty connections. If they appear to be OK, make sure the connections are snug. If that does not correct the problem, try a different cable.
- **Non-standard cables.** Non-standard and miswired cables may cause network collisions and other network problems, and can seriously impair network performance. Use a new correctly-wired cable or compare your cable to the cable in appendix B, “Cables and Connectors” for pinouts and correct cable wiring. A category 5 cable tester is a recommended tool for every 100Base-TX and 1000Base-T network installation.
- **Improper Network Topologies.** It is important to make sure you have a valid network topology. Common topology faults include excessive cable length and excessive repeater delays between end nodes. If you have network problems after recent changes to the network, change back to the previous topology. If you no longer experience the problems, the new topology is probably at fault. Sample topologies are shown at the end of chapter 2 in this book, and some topology configuration guidelines can be found online on the ProCurve Web site at [www.procurve.com/manuals](http://www.procurve.com/manuals).

In addition, you should make sure that your network topology contains **no data path loops**. Between any two end nodes, there should be only one active cabling path at any time. Data path loops will cause broadcast storms that will severely impact your network performance.

For your switch, if you wish to build redundant paths between important nodes in your network to provide some fault tolerance, you should enable **Spanning Tree Protocol** support on the switch. This ensures only one of the redundant paths is active at any time, thus avoiding data path loops. Spanning Tree can be enabled through the switch console, the web browser interface, or ProCurve Manager.

The Series 6600 Switch devices also support **Trunking**, which allows multiple network cables to be used for a single network connection without causing a data path loop. For more information on Spanning Tree and Trunking, see the *Management and Configuration Guide*, which is on the ProCurve Web site at [www.procurve.com/manuals](http://www.procurve.com/manuals).

- **Check the port configuration.** A port on your switch may not be operating as you expect because it has been put into a “blocking” state by Spanning Tree, GVRP (automatic VLANs), or LACP (automatic trunking). (Note that the normal operation of the Spanning Tree, GVRP, and LACP features may put the port in a blocking state.) Or, the port just may have been configured as disabled through software.

Use the switch console to determine the port’s configuration and verify that there is not an improper or undesired configuration of any of the switch features that may be affecting the port. For more information, see the *Management and Configuration Guide*, which is on the ProCurve Web site at [www.procurve.com/manuals](http://www.procurve.com/manuals).

For more information on possible network problems and their solutions, refer to the technical note “Troubleshooting LAN Performance and Intermittent Connectivity Problems”, which can be found on the ProCurve Web site, [www.procurve.com/library](http://www.procurve.com/library), under “T” in the A-Z Index section.

## Diagnosing with the LEDs

Table 5-1 shows LED patterns on the switch and the switch modules that indicate problem conditions.

1. Check in the table for the LED pattern you see on your switch.
2. Refer to the corresponding diagnostic tip on the next few pages.

**Table 5-1. LED Error Indicators**

LED Pattern Indicating Problems							Diag Tips
Power	Fault	PS	Tmp	Test	Fan Status	Port LED (in Link view mode)	
Off with power cord plugged in	*	PS LED off or blinking orange	*	*	*	*	1
On	Prolonged On	*	*	Prolonged On	*	*	2
On	Blinking <sup>†</sup>	*	*	Blinking <sup>†</sup>	*	*	3
On	Blinking <sup>†</sup>	*	*	Off	Blinking <sup>†</sup>	*	4
On	Blinking <sup>†</sup>	*	*	Blinking <sup>†</sup>	*	Blinking <sup>†</sup>	5
On	Off	*	*	Off	*	Off with cable connected	6
On	Off	*	*	Off	*	On, but the port is not communicating	7
On	Blinking	Blinking	*	Off	*	*	8
On	Blinking	*	Blinking	Off	*	*	9

\* This LED is not important for the diagnosis.  
<sup>†</sup> The blinking behavior is an on/off cycle once every 1.6 seconds, approximately.

## Diagnostic Tips:

Tip	Problem	Solution
<b>1</b>	The switch is not plugged into an active AC power source, or the switch's power supply may have failed.	<ol style="list-style-type: none"> <li>1. Verify the power cord is plugged into an active power source and to the switch. Make sure these connections are snug.</li> <li>2. Try power cycling the switch by unplugging and plugging the power cord back in.</li> <li>3. If the Power LED is still not on, verify that the AC power source works by plugging another device into the outlet. Or try plugging the switch into a different outlet or try a different power cord.</li> </ol> <p>If the power source and power cord are OK and this condition persists, the switch power supply may have failed. Call your ProCurve authorized LAN dealer, or use the electronic support services from ProCurve to get assistance. See the Customer Support/Warranty booklet for more information.</p>
<b>2</b>	A switch hardware failure has occurred. All the LEDs will stay on indefinitely.	<p>Try power cycling the switch. If the fault indication reoccurs, the switch may have failed. Call your ProCurve authorized LAN dealer, or use the electronic support services from HP to get assistance. See the Customer Support/Warranty booklet for more information.</p>
<b>3</b>	The switch has experienced a software failure during self test.	<ol style="list-style-type: none"> <li>1. Try resetting the switch by pressing the Reset button on the front of the switch, or by power cycling the switch.</li> <li>2. If the fault indication reoccurs, attach a console to the switch (as indicated in chapter 2) and configure it to operate at 9600 baud. Then, reset the switch. Messages should appear on the console screen and in the console log identifying the error condition. You can view the console log at that point by selecting it from the console Main Menu.</li> </ol> <p>If necessary to resolve the problem, contact your ProCurve authorized LAN dealer, or use the electronic support services from ProCurve to get assistance. See the Customer Support/Warranty booklet for more information.</p>
<b>4</b>	One of the switch cooling fans may have failed.	<p>Try disconnecting power from the switch and wait a few moments. Then reconnect the power to the switch and check the LEDs again. If the error indication reoccurs, one of the fans has failed. The other switch fans may continue to operate under this condition if the ambient temperature does not exceed normal room temperature, but for best operation, the fans should be replaced. Contact your ProCurve authorized LAN dealer, or use the electronic support services from ProCurve to get assistance. See the Customer Support/Warranty booklet for more information.</p>
<b>5</b>	The network port for which the LED is Blinking has experienced a self test or initialization failure.	<p>Try power cycling the switch. If the fault indication reoccurs, the switch port may have failed. Call your ProCurve authorized LAN dealer, or use the electronic support services from ProCurve to get assistance. See the Customer Support/Warranty booklet for more information.</p> <p>If the port is a pluggable, verify it is one of the pluggables supported by the switch. Unsupported pluggables will be identified with this fault condition. The supported mini-GBICs are listed in Chapter 2, "Installing the Switch" on <a href="#">page 2-1</a>. The mini-GBICs are also tested when they are "hot-swapped" — installed or changed while the switch is powered on. Also check the log file for error messages.</p> <p>To verify the port has failed, try removing and reinstalling the mini-GBIC without having to power off the switch. If the port fault indication reoccurs, you will have to replace the mini-GBIC.</p>

Tip	Problem	Solution
<i>continued on the next page</i>		
⑥	The network connection is not working properly.	<p>Try the following procedures:</p> <ul style="list-style-type: none"><li>• For the indicated port, verify both ends of the cabling, at the switch and the connected device, are connected properly.</li><li>• Verify the connected device and switch are both powered <i>on</i> and operating correctly.</li><li>• Verify you have used the correct cable type for the connection:<ul style="list-style-type: none"><li>– For twisted-pair connections to the fixed 10/100 or 10/100/1000 ports, if the port is configured to “Auto” (auto negotiate), either straight-through or crossover cables can be used because of the switch’s “HP Auto-MDIX” feature and the Auto MDI/MDI-X feature of the 10/100/1000-T port.</li></ul></li></ul> <hr/> <p><b>Note:</b> If the switch port configuration is changed to one of the <b>fixed configuration</b> options (for example, 100 Mbps/Full Duplex), then the port operates as <b>MDI-X only</b> and you must use the correct type of cable for the connection. In general, for connecting an end node (MDI port) to the switch, use straight-through cable; for connecting to MDI-X ports on hubs, other switches, and routers, use crossover cable.</p> <hr/> <ul style="list-style-type: none"><li>– For fiber-optic connections, verify the transmit port on the switch is connected to the receive port on the connected device, and the switch receive port is connected to the transmit port on the connected device.</li><li>• For the dual-personality 10/100/1000-T ports, be sure a mini-GBIC is not installed in the associated slot.</li><li>• For 1000Base-T connections, verify that the network cabling complies with the IEEE 802.3ab standard. the cable should be installed according to the ANSI/TIA/EIA-568-A-5 specifications. Cable testing should comply with the stated limitations for Attenuation, Near-End Crosstalk, Far-End Crosstalk, Equal-Level Far-End Crosstalk (ELFEXT), Multiple Disturber ELFEXT, and Return Loss.<p>The cable verification process must include all patch cables from any end devices, including the switch, to any patch panels in the cabling path.</p></li><li>• Verify the port has not been disabled through a switch configuration change.<p>You can use the console interface, or, if you have configured an IP address on the switch, use the web browser interface, or ProCurve Manager network management software to determine the state of the port and re-enable the port if necessary.</p></li><li>• Verify the switch port configuration matches the configuration of the attached device. For example, if the switch port is configured as “Auto”, the port on the attached device also <b>MUST</b> be configured as “Auto”. Depending on the port type, twisted-pair or fiber-optic, if the configurations don’t match, the results could be a very unreliable connection, or no link at all.</li><li>• If the other procedures don’t resolve the problem, try using a different port or a different cable.</li></ul>

Tip	Problem	Solution
7	The port may be improperly configured, or the port may be in a "blocking" state by the normal operation of the Spanning Tree, LACP, or IGMP features.	<p>Use the switch console to see if the port is part of a dynamic trunk (through the LACP feature) or to see if Spanning Tree is enabled on the switch, and to see if the port may have been put into a "blocking" state by those features. The <b>show lacp</b> command displays the port status for the LACP feature; the <b>show spanning-tree</b> command displays the port status for Spanning Tree.</p> <p>Also check the Port Status screen using the <b>show interfaces</b> command to see if the port has been configured as "disabled".</p> <p>Other switch features that may affect the port operation include VLANs and IGMP. Use the switch console to see how the port is configured for these features.</p> <p>For software troubleshooting tips, see the chapter "Troubleshooting" in the <i>Management and Configuration Guide</i>, which is on the ProCurve Web site at <a href="http://www.procurve.com/manuals">www.procurve.com/manuals</a>.</p> <p>Make sure also, the device at the other end of the connection is indicating a good link to the switch. If it is not, the problem may be with the cabling between the devices or the connectors on the cable.</p>
8	A power supply has failed in a multi-power supply switch.	<p>Check the back of the switch to see which power supply has failed. The failed power supply LED will be blinking. Replace the failed power supply. Once the failed power supply is removed the LEDs will return to normal. If only one supply is inserted, try power cycling the switch. If the fault reoccurs, the power supply may need to be replaced. If there are two power supplies inserted but only one is connected, to remove the fault either connect power to the other supply or remove it.</p>
9	The switch has overheated.	<p>Check to ensure the fans are functioning correctly.</p>

---

## Proactive Networking

The HP ProCurve Series 6600 Switches have built-in management capabilities that proactively help you manage your network including:

- finding and helping you fix the most common network error conditions (for example, faulty network cabling, and non-standard network topologies)
- informing you of the problem with clear, easy-to-understand messages
- recommending network configuration changes to enhance the performance of your network

The following interfaces provide tests, indicators, and an event log that can be used to monitor the switch and its network connections and to help you take advantage of these proactive networking features:

- ProCurve Manager - an SNMP-based network management tool that is included with your switch.
- A graphical web browser interface that you can use to manage your switch from a PC running a supported web browser, for example Microsoft Internet Explorer, and Netscape Communicator.
- A full-featured easy-to-use console interface that you can access by connecting a standard terminal or PC running a terminal emulator to the switch's console port. The cable to make that connection is provided with your switch. The console interface is also accessible through a Telnet connection.

For more information on using these software tools to diagnose and manage your switch, see the “Troubleshooting” chapter in the *Management and Configuration Guide*, which is on the ProCurve Web site at [www.procurve.com/manuals](http://www.procurve.com/manuals).



---

# Hardware Diagnostic Tests

## Testing the Switch by Resetting It

If you believe the switch is not operating correctly, you can reset the switch to test its circuitry and operating code. To reset a switch, either:

- unplug and plug in the power cord (power cycling)
- press the Reset button on the front of the switch

Power cycling the switch and pressing the Reset button both cause the switch to perform its power-on self test, which almost always will resolve any temporary operational problems. These reset processes also cause any network traffic counters to be reset to zero, and cause the System Up Time timer to reset to zero.

## Checking the Switch LEDs

The self test passes if the Fault and Self Test LEDs on the front of the switch go off after approximately 50 seconds. If these LEDs stay on longer than 60 seconds or begin Blinking, there may be a problem with the switch.

See “Diagnosing With the LEDs” on [page 5-4](#) for information on interpreting the LED patterns and LED behaviors in chapter one.

## Checking Console Messages

Useful diagnostic messages may be displayed on the console screen when the switch is reset. As described in chapter 2 under step 7, “Connect a Console to the Switch”, connect a PC running a VT-100 terminal emulator program or a standard VT-100 terminal to the switch’s Console Port and configure it to run at 9600 baud, and with the other terminal communication settings shown on [page 2-19](#). Then, when you reset the switch, note the messages that are displayed. Additionally, you can check the switch event log, which can be accessed from the console using the **show log** command, or from the console Main Menu.

## Testing Twisted-Pair Cabling

Network cables that fail to provide a link or provide an unreliable link between the switch and the connected network device may not be compatible with the IEEE 802.3 Type 10Base-T, 100Base-TX, or 1000Base-T standards. The twisted-pair cables attached to the Switch must be compatible with the appropriate standards. To verify your cable is compatible with these standards, use a qualified cable test device.

## Testing Switch-to-Device Network Communications

You can perform the following communication tests to verify the network is operating correctly between the switch and any connected device that can respond correctly to the communication test.

- Link Test -- a physical layer test that sends IEEE 802.2 test packets to any device identified by its MAC address.
- Ping Test -- a network layer test used on IP networks that sends test packets to any device identified by its IP address.

These tests can be performed through the switch console interface from a terminal connected to the switch or through a Telnet connection, or from the switch's web browser interface. For more information, see the *Management and Configuration Guide*, which is on the ProCurve Web site at [www.procurve.com/manuals](http://www.procurve.com/manuals).

These tests can also be performed from an SNMP network management station running a program that can manage the switch, for example, ProCurve Manager.

## Testing End-to-End Network Communications

Both the switch and the cabling can be tested by running an end-to-end communications test -- a test that sends known data from one network device to another through the switch. For example, if you have two PCs on the network that have LAN adapters between which you can run a link-level test or Ping test through the switch, you can use this test to verify that the entire communication path between the two PCs is functioning correctly. See your LAN adapter documentation for more information on running a link test or Ping test.

---

# Restoring the Factory Default Configuration

As part of your troubleshooting process on the switch, it may become necessary to return the switch configuration to the factory default settings. This process momentarily interrupts the switch operation, clears any passwords, clears the console event log, resets the network counters to zero, performs a complete self test, and reboots the switch into its factory default configuration including deleting the IP address, if one is configured.

---

## Note

This process removes all switch configuration changes you have made from the factory default settings. This includes, for example, configuration of VLANs, Spanning Tree, trunks, and stacking. Returning the configuration of these features to their factory default settings (usually disabling them) may result in network connectivity issues.

If the switch has a valid configuration, and you are restoring the factory default settings for a reason other than configuration problems, you should save the switch configuration prior to performing the factory default reset. Then, after the reset and resolution of the original problem, you can restore the saved configuration to the switch. For both the save and restore processes, you can use the console **copy** command. For more information on this command, see the *Management and Configuration Guide*, which is on the ProCurve Web site at [www.procurve.com/manuals](http://www.procurve.com/manuals).

---

You can restore the factory default configuration either on the switch itself, or through the switch console.

To execute the factory default reset on the switch, perform these steps:

1. Using pointed objects, simultaneously press both the Reset and Clear buttons on the front of the switch.
2. Continue to press the Clear button while releasing the Reset button.
3. When the Self Test LED begins to blink, release the Clear button.

The switch will then complete its self test and begin operating with its configuration restored to the factory default settings.

To restore the factory default configuration using the console, execute the **erase startup-config** command from the console command prompt.

---

## Downloading New Switch Software

When product enhancements occur for the switch, new software can be downloaded to the switch through several methods, for product enhancements and new features. For more information, see the *Management and Configuration Guide*, which is on the ProCurve Web site at [www.procurve.com/manuals](http://www.procurve.com/manuals)

The new switch software would be available on the ProCurve Web site at [www.procurve.com/software](http://www.procurve.com/software).

---

## HP Customer Support Services

If you are still having trouble with your switch, Hewlett-Packard offers support 24 hours a day, seven days a week through the use of a number of automated electronic services. See the Customer Support/Warranty booklet that came with your switch for information on how to use these services to get technical support. The ProCurve Web site at [www.procurve.com/support](http://www.procurve.com/support) also provides up-to-date support information.

Additionally, your ProCurve authorized network reseller can provide you with assistance, both with services that they offer and with services offered by ProCurve.

### Before Calling Support

Before calling your networking dealer or ProCurve Support, to make the support process most efficient, you first should have retrieved the following information:

Information Item	Information Location
<ul style="list-style-type: none"><li>product identification, including mini-GBICs</li></ul>	the front of the switch and on labels on the mini-GBICs
<ul style="list-style-type: none"><li>details about the switch's status including the software (OS) version, a copy of the switch configuration, a copy of the switch Event Log, and a copy of the switch status and counters information</li></ul>	switch console: <b>show tech</b> command
<ul style="list-style-type: none"><li>copy of your network topology map, including network addresses assigned to the relevant devices</li></ul>	your network records

---

# Specifications

## Physical

	<b>HP ProCurve 6600-24G Switch (J9263A)</b>	<b>HP ProCurve 6600-24G-4XG Switch (J9264A)</b>	<b>HP ProCurve 6600-24XG Switch (J9265A)</b>
<b>Width:</b>	44.3 cm (17.42 in)	44.3 cm (17.42 in)	44.3 cm (17.42 in)
<b>Depth:</b>	51.1 cm (20.1 in)	51.1 cm (20.1 in)	59.9 cm (23.6 in)
<b>Height:</b>	4.4 cm (1.7 in)	4.4 cm (1.7 in)	4.4 cm (1.7 in)
<b>Weight:</b>	7.68 kg (16.93 lbs)	7.7 kg (16.97 lbs)	9.33 kg (20.6 lbs)

## Electrical

The switch automatically adjusts to any voltage between 100-127 and 200-240 volts and either 50 or 60 Hz.

<b>Applicable Products</b>	<b>HP ProCurve 6600-24G Switch (J9263A)</b>	<b>HP ProCurve 6600-24G-4XG Switch (J9264A)</b>	<b>HP ProCurve 6600-24XG Switch (J9265A)</b>
<b>Electrical</b>			
AC voltage:	100-127/200-240 volts	100-127/200-240 volts	100-127/200-240 volts
Maximum current:	1.8A/0.9A	2.1A/1.1A	4.2A/2.2A
Frequency range:	50/60 Hz	50/60 Hz	50/60 Hz

The switch automatically adjusts to any voltage between 100-127 and 200-240 volts and either 50 or 60 Hz.

## Environmental

	<b>Operating</b>	<b>Non-Operating</b>
<b>Temperature:</b>	5°C to 40°C (41°F to 104°F)	-40°C to 70°C (-40°F to 158°F)
<b>Relative humidity: (non-condensing)</b>	15% to 80% at 40°C (104°F)	20% to 90% at 70°C (158°F)
<b>Maximum altitude:</b>	3.0 km (10,000 ft)	4.6 km (15,000 ft)

## Acoustic

### **HP ProCurve Switch 6600-24G (J9263A)**

Geraeuschemission LpA=62.3 dB am fiktiven Arbeitsplatz nach DIN 45635 T.19

Noise Emission LpA=49.3 dB at virtual workspace according to DIN 45635 T.19

### **HP ProCurve Switch 6600-28G-4XG (J9264A)**

Geraeuschemission LpA=59.5 dB am fiktiven Arbeitsplatz nach DIN 45635 T.19

Noise Emission LpA=52 dB at virtual workspace according to DIN 45635 T.19

### **HP ProCurve Switch 6600-24G-24XG (J9265A)**

Geraeuschemission LpA=61.8 dB am fiktiven Arbeitsplatz nach DIN 45635 T.19

Noise Emission LpA=49.3 dB at virtual workspace according to DIN 45635 T.19

## Safety

Complies with:

- EN60950-1
- CSA 22.2 No. 60950-1
- UL 60950-1
- IEC 60950-1

**Table A-1. Technology standards and safety compliance**

Technology	Compatible with these IEEE standards	Laser safety information		
		Safety standard compliance	SFP ("mini-GBIC") Lasers	SFP+ Lasers
10/100/1000-T	IEEE 802.3 10BASE-T, IEEE 802.3u 100BASE-TX, IEEE 802.3ab 1000BASE-T			
100-FX	IEEE 802.3u 100BASE-FX	EN/IEC 60825	Class 1 Laser Product Laser Klasse 1	
100-BX	IEEE 802.3ah 100BASE-BX10	EN/IEC 60825	Class 1 Laser Product Laser Klasse 1	
1000-SX	IEEE 802.3z 1000BASE-SX	EN/IEC 60825	Class 1 Laser Product Laser Klasse 1	
1000-LX	IEEE 802.3z 1000BASE-LX	EN/IEC 60825	Class 1 Laser Product Laser Klasse 1	
1000-LH	(not an IEEE standard)	EN/IEC 60825	Class 1 Laser Product Laser Klasse 1	
1000-BX	IEEE 802.3ah 1000BASE-BX10	EN/IEC 60825	Class 1 Laser Product Laser Klasse 1	
10-Gig Direct Attach	(not an IEEE standard)			
10-Gig SR	IEEE 802.3ae 10GBASE-SR	EN/IEC 60825		Class 1 Laser Product Laser Klasse 1
10-Gig LRM	IEEE 802.3aq 10GBASE-LRM	EN/IEC 60825		Class 1 Laser Product Laser Klasse 1
10-Gig LR	IEEE 802.3ae 10GBASE-LR	EN/IEC 60825		Class 1 Laser Product Laser Klasse 1





# Cabling and Technology Information

This appendix includes network cable information for cables that should be used with the Switch 6600, including minimum pin-out information and specifications for twisted-pair cables.

## Note

Incorrectly wired cabling is the most common cause of problems for LAN communications. ProCurve recommends that you work with a qualified LAN cable installer for assistance with your cabling requirements.

## Cabling specifications

**Table B-1.**

<b>Twisted-pair copper</b>	10 Mbps Operation	Category 3, 4, or 5 100-ohm unshielded twisted-pair (UTP) or shielded twisted-pair (STP) cable, complying with IEEE 802.3 10Base-T specifications.
	100 Mbps Operation	Category 5 100-ohm UTP or STP cable, complying with IEEE 802.3u 100Base-TX specifications.
	1000 Mbps Operation	Category 5 100-ohm 4-pair UTP or STP cable, complying with IEEE 802.3ab 1000Base-T specifications—Category 5e or better is recommended. See note on 1000Base-T Cable Requirements on <a href="#">page B-2</a> .
<b>Twinaxial copper</b>	Direct attach cables	One-piece devices consisting of a cable with SFP+ connectors permanently attached to each end, complying with SFF 8431 SFP+ specifications.
<b>Multimode fiber</b>		62.5/125 $\mu\text{m}$ or 50/125 $\mu\text{m}$ (core/cladding) diameter, low metal content, graded index fiber-optic cables, complying with the ITU-T G.651 and ISO/IEC 793-2 Type A1b or A1a standards respectively. <sup>1</sup>
<b>Single mode fiber</b>		9/125 $\mu\text{m}$ (core/cladding) diameter, low metal content fiber-optic cables, complying with the ITU-T G.652 and ISO/IEC 793-2 Type B1 standards.

<sup>1</sup> A mode conditioning patch cord may be needed for some Gigabit-LX and 10-Gigabit LRM installations. See [“Mode Conditioning Patch Cord” on page B-4](#) for more information.

**Note on 1000Base-T Cable Requirements.** The Category 5 networking cables that work for 100Base-TX connections should also work for 1000Base-T, as long as all four-pairs are connected. But, for the most robust connections you should use cabling that complies with the Category 5e specifications, as described in Addendum 5 to the TIA-568-A standard (ANSI/TIA/EIA-568-A-5).

Because of the increased speed provided by 1000Base-T (Gigabit-T), network cable quality is more important than for either 10Base-T or 100Base-TX. Cabling plants being used to carry 1000Base-T networking must comply with the IEEE 802.3ab standards. In particular, the cabling must pass tests for Attenuation, Near-End Crosstalk (NEXT), and Far-End Crosstalk (FEXT). Additionally, unlike the cables for 100Base-TX, the 1000Base-T cables must pass tests for Equal-Level Far-End Crosstalk (ELFEXT) and Return Loss.

When testing your cabling, be sure to include the patch cables that connect the switch and other end devices to the patch panels on your site. The patch cables are frequently overlooked when testing cable and they must also comply with the cabling standards.

## Technology distance specifications

**Table B-2.**

Technology	Supported cable type	Multimode fiber modal bandwidth	Supported distances
100-FX	multimode fiber	any	up to 2,000 meters
100-BX	single mode fiber	N/A	0.5 - 10,000 meters
1000-T	twisted-pair copper	N/A	up to 100 meters
1000-SX	multimode fiber	160 MHz*km	2 - 220 meters
		200 MHz*km	2 - 275 meters
		400 MHz*km	2 - 500 meters
		500 MHz*km	2 - 550 meters
1000-LX	multimode fiber	400 MHz*km	2 - 550 meters
	single mode fiber	500 MHz*km	2 - 550 meters
	single mode fiber	N/A	2 - 10,000 meters
1000-LH	single mode fiber	N/A	10 - 70,000 meters <sup>1</sup>
1000-BX	single mode fiber	N/A	0.5 - 10,000 meters
10-Gig Direct Attach	twinaxial copper	N/A	(various lengths offered)
10-Gig SR	multimode fiber	160 MHz*km	2 - 26 meters
		200 MHz*km	2 - 33 meters
		400 MHz*km	2 - 66 meters
		500 MHz*km	2 - 82 meters
		2000 MHz*km	2 - 300 meters
10-Gig LRM	multimode fiber	400 MHz*km	0.5 - 100 meters
		500 MHz*km	0.5 - 220 meters
10-Gig LR	single mode fiber	N/A	2 - 10,000 meters

<sup>1</sup> For distances less than 20km, a 10dB attenuator must be used. For distances between 20km and 40km, a 5dB attenuator must be used. Attenuators can be purchased from most cable vendors.

## Mode Conditioning Patch Cord

The following information applies to installations in which multimode fiber-optic cables are connected to a Gigabit-LX port or a 10-Gigabit LRM port. Multimode cable has a design characteristic called “Differential Mode Delay”, which requires the transmission signals be “conditioned” to compensate for the cable design and thus prevent resulting transmission errors.

Under certain circumstances, depending on the cable used and the lengths of the cable runs, an external Mode Conditioning Patch Cord may need to be installed between the Gigabit-LX or 10-Gigabit LRM transmitting device and the multimode network cable to provide the transmission conditioning. If you experience a high number of transmission errors on those ports, usually CRC or FCS errors, you may need to install one of these patch cords between the fiber-optic port in your switch and your multimode fiber-optic network cabling, at both ends of the network link.

The patch cord consists of a short length of single mode fiber cable coupled to graded-index multimode fiber cable on the transmit side, and only multimode cable on the receive side. The section of single mode fiber is connected in such a way that it minimizes the effects of the differential mode delay in the multimode cable.

---

### Note

Most of the time, if you are using good quality graded-index multimode fiber cable that adheres to the standards listed in Appendix B, there should not be a need to use mode conditioning patch cords in your network. This is especially true if the fiber runs in your network are relatively short.

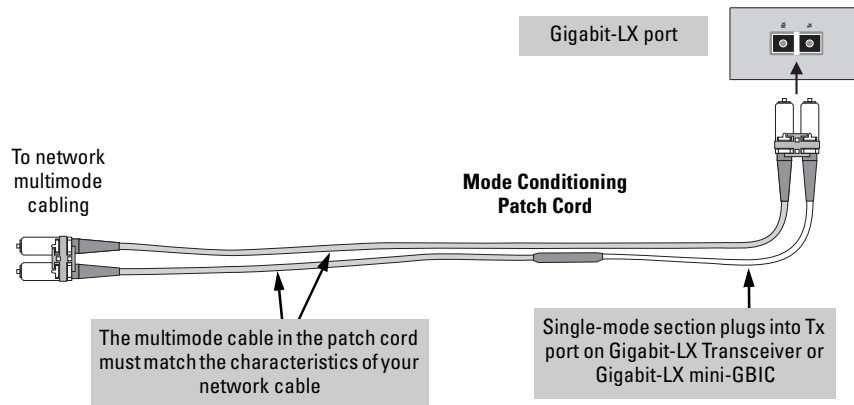
For 10-Gigabit LRM using OM3 cable (50  $\mu$ m multimode @ 1500/500 MHz\*km), a mode conditioning patch cord is not required. Other multimode cables may require mode conditioning patch cords to achieve the LRM maximum distances.

---

## Installing the Patch Cord

As shown in the illustration below, connect the patch cord to the ProCurve transceiver with the section of single mode fiber plugged in to the Tx (transmit) port. Then, connect the other end of the patch cord to your network cabling patch panel, or directly to the network multimode fiber.

If you connect the patch cord directly to the network cabling, you may need to install a female-to-female adapter to allow the cables to be connected together.



**Figure B-1. Example: Connecting a Mode Conditioning Patch Cord for Gigabit-LX**

Make sure you purchase a patch cord that has appropriate connectors on each end, and has multimode fibers that match the characteristics of the multimode fiber in your network. Most important, the core diameter of the multimode patch cord must match the core diameter of the multimode cable infrastructure (either 50 or 62.5 microns).

## Twisted-Pair Cable/Connector Pin-Outs

**Auto-MDIX Feature:** The 10/100/1000-T ports support the IEEE 802.3ab standard, which includes the “Auto MDI/MDI-X” feature. In the default configuration, “Auto”, the ports on the Switch 6600 all automatically detect the type of port on the connected device and operate as either an MDI or MDI-X port, whichever is appropriate. So for any connection, a straight-through twisted-pair cable can be used – *you no longer have to use crossover cables*, although crossover cables can also be used for any of the connections.

If you connect a Switch 6600 twisted-pair port to another switch or hub, which typically have MDI-X ports, the Switch 6600 port automatically operates as an MDI port. If you connect it to an end node, such as a server or PC, which typically have MDI ports, the Switch 6600 port operates as an MDI-X port. In all cases, you can use standard straight-through cables or crossover cables.

If you happen to use a correctly wired crossover cable, though, the switch will still be able to automatically detect the MDI/MDI-X operation and link correctly to the connected device.

### Other Wiring Rules:

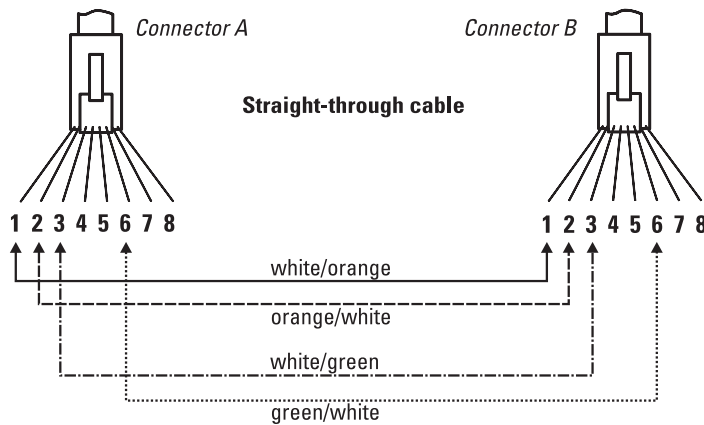
- All twisted-pair wires used for 10 Mbps, and 100 Mbps operation must be twisted through the entire length of the cable. The wiring sequence must conform to EIA/TIA 568-B (not USOC). See “Twisted-Pair Cable Pin Assignments” later in this appendix for a listing of the signals used on each pin.
- For 1000Base-T connections, all four pairs of wires in the cable must be available for data transmission. See [“Note on 1000Base-T Cable Requirements” on page B-2](#) for more information on 1000Base-T cabling.
- For 10 Mbps connections to the ports, you can use Category 3, 4, or 5 unshielded twisted-pair cable, as supported by the IEEE 802.3 Type 10Base-T standard.
- For 100 Mbps connections to the ports, use 100-ohm Category 5 UTP or STP cable only, as supported by the IEEE 802.3u Type 100Base-TX standard.
- For 1000 Mbps connections, 100-ohm Category 5e or better cabling is recommended.

## Straight-Through Twisted-Pair Cable for 10 Mbps or 100 Mbps Network Connections

Because of the HP Auto-MDIX operation of the 10/100 ports on the switch, for all network connections, to PCs, servers or other end nodes, or to hubs or other switches, you can use straight-through cables.

If any of these ports are given a fixed configuration, for example 100 Mbps/ Full Duplex, the ports operate as MDI-X ports, and straight-through cables must be then used for connections to PC NICs and other MDI ports.

### Cable Diagram



### Note

Pins 1 and 2 on connector “A” *must* be wired as a twisted pair to pins 1 and 2 on connector “B”.  
 Pins 3 and 6 on connector “A” *must* be wired as a twisted pair to pins 3 and 6 on connector “B”.  
 Pins 4, 5, 7, and 8 are not used in this application, although they may be wired in the cable.

### Pin Assignments

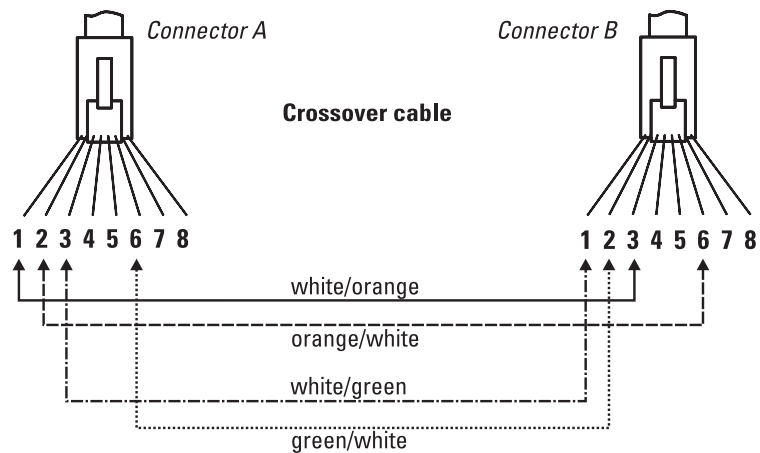
Switch End (MDI-X)		Computer, Transceiver, or Other End		
Signal	Pins	Pins	Signal	
receive +	1	←————→	1	transmit +
receive -	2	←————→	2	transmit -
transmit +	3	————→	3	receive +
transmit -	6	————→	6	receive -

## Crossover Twisted-Pair Cable for 10 Mbps or 100 Mbps Network Connection

The HP Auto-MDIX operation of the 10/100 ports on the switch also allows you to use crossover cables for all network connections, to PCs, servers or other end nodes, or to hubs or other switches.

If any of these ports are given a fixed configuration, for example 100 Mbps/ Full Duplex, the ports operate as MDI-X ports, and crossover cables *must* be then used for connections to hubs or switches or other MDI-X network devices.

### Cable Diagram



### Note

Pins 1 and 2 on connector “A” *must* be wired as a twisted pair to pins 3 and 6 on connector “B”.

Pins 3 and 6 on connector “A” *must* be wired as a twisted pair to pins 1 and 2 on connector “B”.

Pins 4, 5, 7, and 8 are not used in this application, although they may be wired in the cable.

### Pin Assignments

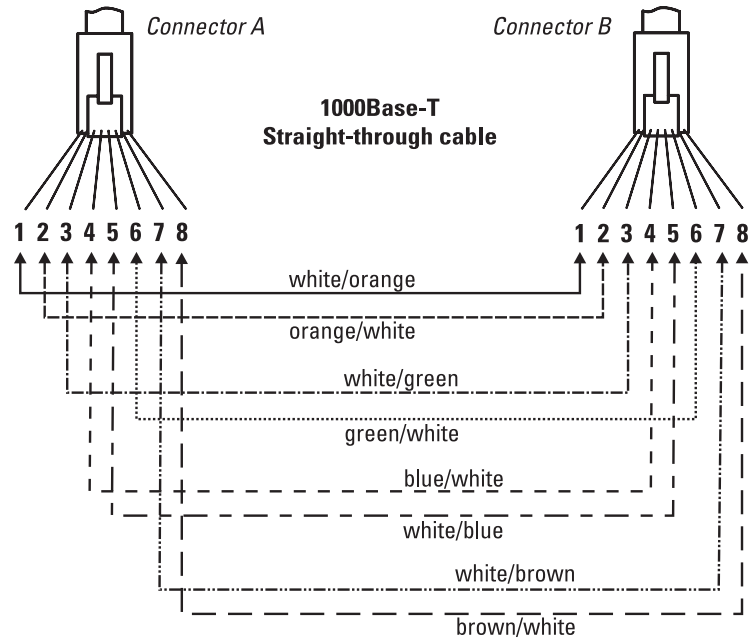
Switch End (MDI-X)		Hub or Switch Port, or Other MDI-X Port End	
Signal	Pins	Pins	Signal
receive +	1	6	transmit -
receive -	2	3	transmit +
transmit +	3	2	receive -
transmit -	6	1	receive +



## Straight-Through Twisted-Pair Cable for 1000 Mbps Network Connections

1000Base-T connections require that all four pairs or wires be connected.

### Cable Diagram



### Note

Pins 1 and 2 on connector "A" *must* be wired as a twisted pair to pins 1 and 2 on connector "B".  
Pins 3 and 6 on connector "A" *must* be wired as a twisted pair to pins 3 and 6 on connector "B".  
Pins 4 and 5 on connector "A" *must* be wired as a twisted pair to pins 4 and 5 on connector "B".  
Pins 7 and 8 on connector "A" *must* be wired as a twisted pair to pins 7 and 8 on connector "B".

### Pin Assignments

For 1000Base-T operation, all four pairs of wires are used for both transmit and receive.



# Safety and EMC Regulatory Statements

---

## Safety Information



Documentation reference symbol. If the product is marked with this symbol, refer to the product documentation to get more information about the product.

### **WARNING**

A **WARNING** in the manual denotes a hazard that can cause injury or death.

### Caution

A Caution in the manual denotes a hazard that can damage equipment.

Do not proceed beyond a **WARNING** or Caution notice until you have understood the hazardous conditions and have taken appropriate steps.

### **Grounding**

These are safety class I products and have protective earthing terminals. There must be an uninterruptible safety earth ground from the main power source to the product's input wiring terminals, power cord, or supplied power cord set. Whenever it is likely that the protection has been impaired, disconnect the power cord until the ground has been restored.

For LAN cable grounding:

- If your LAN covers an area served by more than one power distribution system, be sure their safety grounds are securely interconnected.
- LAN cables may occasionally be subject to hazardous transient voltages (such as lightning or disturbances in the electrical utilities power grid). Handle exposed metal components of the network with caution.

### **Servicing**

There are no user-serviceable parts inside these products. Any servicing, adjustment, maintenance, or repair must be performed only by service-trained personnel.

These products do not have a power switch; they are powered on when the power cord is plugged in.

## Informations concernant la sécurité



Symbole de référence à la documentation. Si le produit est marqué de ce symbole, reportez-vous à la documentation du produit afin d'obtenir des informations plus détaillées.

### **WARNING**

Dans la documentation, un **WARNING** indique un danger susceptible d'entraîner des dommages corporels ou la mort.

### Caution

Un texte de mise en garde intitulé Caution indique un danger susceptible de causer des dommages à l'équipement.

Ne continuez pas au-delà d'une rubrique **WARNING** ou Caution avant d'avoir bien compris les conditions présentant un danger et pris les mesures appropriées.

Cet appareil est un produit de classe I et possède une borne de mise à la terre. La source d'alimentation principale doit être munie d'une prise de terre de sécurité installée aux bornes du câblage d'entrée, sur le cordon d'alimentation ou le cordon de raccordement fourni avec le produit. Lorsque cette protection semble avoir été endommagée, débrancher le cordon d'alimentation jusqu'à ce que la mise à la terre ait été réparée.

Mise à la terre du câble de réseau local:

- si votre réseau local s'étend sur une zone desservie par plus d'un système de distribution de puissance, assurez-vous que les prises de terre de sécurité soient convenablement interconnectées.
- Les câbles de réseaux locaux peuvent occasionnellement être soumis à des surtensions transitoires dangereuses (telles que la foudre ou des perturbations dans le réseau d'alimentation public). Manipulez les composants métalliques du réseau avec précautions.

Aucune pièce contenue à l'intérieur de ce produit ne peut être réparée par l'utilisateur. Tout dépannage, réglage, entretien ou réparation devra être confié exclusivement à un personnel qualifié.

Cet appareil ne comporte pas de commutateur principal ; la mise sous tension est effectuée par branchement du cordon d'alimentation.

---

## Hinweise zur Sicherheit



Symbol für Dokumentationsverweis. Wenn das Produkt mit diesem Symbol markiert ist, schlagen Sie bitte in der Produktdokumentation nach, um mehr Informationen über das Produkt zu erhalten.

### **WARNING**

Eine **WARNING** in der Dokumentation symbolisiert eine Gefahr, die Verletzungen oder sogar Todesfälle verursachen kann.

### Caution

Caution in der Dokumentation symbolisiert eine Gefahr, die das Gerät beschädigen kann.

Fahren Sie nach dem Hinweis **WARNING** oder Caution erst fort, nachdem Sie den Gefahrezustand verstanden und die entsprechenden Maßnahmen ergriffen haben.

Dies ist ein Gerät der Sicherheitsklasse I und verfügt über einen schützenden Erdungsterminal. Der Betrieb des Geräts erfordert eine ununterbrochene Sicherheitserdung von der Hauptstromquelle zu den Geräteingabeterminals, den Netzkabeln oder dem mit Strom belieferten Netzkabelsatz voraus. Sobald Grund zur Annahme besteht, daß der Schutz beeinträchtigt worden ist, das Netzkabel aus der Wandsteckdose herausziehen, bis die Erdung wiederhergestellt ist.

Für LAN-Kabelerdung:

- Wenn Ihr LAN ein Gebiet umfaßt, das von mehr als einem Stromverteilungssystem beliefert wird, müssen Sie sich vergewissern, daß die Sicherheitserdungen fest untereinander verbunden sind.
- LAN-Kabel können gelegentlich gefährlichen Übergangsspannungen ausgesetzt werden (beispielsweise durch Blitz oder Störungen in dem Starkstromnetz des Elektrizitätswerks). Bei der Handhabung exponierter Metallbestandteile des Netzwerkes Vorsicht walten lassen.

Dieses Gerät enthält innen keine durch den Benutzer zu wartenden Teile. Wartungs-, Anpassungs-, Instandhaltungs- oder Reparaturarbeiten dürfen nur von geschultem Bedienungspersonal durchgeführt werden.

Dieses Gerät hat keinen Netzschalter; es wird beim Anschließen des Netzkabels eingeschaltet.

## Considerazioni sulla sicurezza



Simbolo di riferimento alla documentazione. Se il prodotto è contrassegnato da questo simbolo, fare riferimento alla documentazione sul prodotto per ulteriori informazioni su di esso.

### **WARNING**

La dicitura **WARNING** denota un pericolo che può causare lesioni o morte.

### Caution

La dicitura **Caution** denota un pericolo che può danneggiare le attrezzature.

Non procedere oltre un avviso di **WARNING** o di **Caution** prima di aver compreso le condizioni di rischio e aver provveduto alle misure del caso.

Questo prodotto è omologato nella classe di sicurezza I ed ha un terminale protettivo di collegamento a terra. Dev'essere installato un collegamento a terra di sicurezza, non interrompibile che vada dalla fonte d'alimentazione principale ai terminali d'entrata, al cavo d'alimentazione oppure al set cavo d'alimentazione fornito con il prodotto. Ogniqualvolta vi sia probabilità di danneggiamento della protezione, disinserite il cavo d'alimentazione fino a quando il collegamento a terra non sia stato ripristinato.

Per la messa a terra dei cavi LAN:

- se la vostra LAN copre un'area servita da più di un sistema di distribuzione elettrica, accertatevi che i collegamenti a terra di sicurezza siano ben collegati fra loro;
- i cavi LAN possono occasionalmente andare soggetti a pericolose tensioni transitorie (ad esempio, provocate da lampi o disturbi nella griglia d'alimentazione della società elettrica); siate cauti nel toccare parti esposte in metallo della rete.

Nessun componente di questo prodotto può essere riparato dall'utente. Qualsiasi lavoro di riparazione, messa a punto, manutenzione o assistenza va effettuato esclusivamente da personale specializzato.

Questo apparato non possiede un commutatore principale; si mette scotto tensione all'inserirsi il cavo d'alimentazione.

## Consideraciones sobre seguridad



Símbolo de referencia a la documentación. Si el producto va marcado con este símbolo, consultar la documentación del producto a fin de obtener mayor información sobre el producto.

### **WARNING**

Una **WARNING** en la documentación señala un riesgo que podría resultar en lesiones o la muerte.

### Caution

Una Caution en la documentación señala un riesgo que podría resultar en averías al equipo.

No proseguir después de un símbolo de **WARNING** o Caution hasta no haber entendido las condiciones peligrosas y haber tomado las medidas apropiadas.

Este aparato se enmarca dentro de la clase I de seguridad y se encuentra protegido por una borna de puesta a tierra. Es preciso que exista una puesta a tierra continua desde la toma de alimentación eléctrica hasta las bornas de los cables de entrada del aparato, el cable de alimentación o el juego de cable de alimentación suministrado. Si existe la probabilidad de que la protección a tierra haya sufrido desperfectos, desenchufar el cable de alimentación hasta haberse subsanado el problema.

Puesta a tierra del cable de la red local (LAN):

- Si la LAN abarca un área cuyo suministro eléctrico proviene de más de una red de distribución de electricidad, cerciorarse de que las puestas a tierra estén conectadas entre sí de modo seguro.
- Es posible que los cables de la LAN se vean sometidos de vez en cuando a voltajes momentáneos que entrañen peligro (rayos o alteraciones en la red de energía eléctrica). Manejar con precaución los componentes de metal de la LAN que estén al descubierto.

Este aparato no contiene pieza alguna susceptible de reparación por parte del usuario. Todas las reparaciones, ajustes o servicio de mantenimiento debe realizarlos solamente el técnico.

Este producto no tiene interruptor de potencia; se activa cuando se enchufa el cable de alimentación.

## Safety Information (Japan)

安全性の考慮

安全記号



マニュアル参照記号。製品にこの記号がついている場合はマニュアルを参照し、注意事項等をご確認ください。

**WARNING** マニュアル中の「WARNING」は人身事故の原因となる危険を示します。

**CAUTION** マニュアル中の「CAUTION」は装置破損の原因となる危険を示します。

「WARNING」や「CAUTION」の項は飛ばさないで必ずお読みください。危険性に関する記載事項をよく読み、正しい手順に従った上で次の事項に進んでください。

これは安全性クラス I の製品で保護用接地端子を備えています。主電源から製品の入力配線端子、電源コード、または添付の電源コード・セットまでの間、切れ目のない安全接地が存在することが必要です。もしこの保護回路が損なわれたことが推測されるときは、接地が修復されるまで電源コードを外しておいてください。

LAN ケーブルの接地に関して:

- もし貴社の LAN が複数の配電システムにより電力を受けている領域をカバーしている場合には、それらのシステムの安全接地が確実に相互に結合されていることを確認してください。
- LAN ケーブルは時として危険な過度電圧（例えば雷や、配電設備の電力網での障害）にさらされることがあります。露出した金属部分の取扱いには十分な注意をはらってください。

本製品の内部にはユーザーが修理できる部品はありません。サービス、調整、保守および修理はサービス訓練を受けた専門家におまかせください。

本製品には電源スイッチがありません。電源コードを接続したとき電源入となります。

### Japan Power Cord Warning

製品には、同梱された電源コードをお使い下さい。  
同梱された電源コードは、他の製品では使用出来ません。



# Safety Information (China)

## HP 网络产品使用安全手册

### 使用须知

欢迎使用惠普网络产品，为了您及仪器的安全，请您务必注意如下事项：

1. 仪器要和地线相接，要使用有正确接地插头的电源线，使用中国国家规定的220V电源。
2. 避免高温和尘土多的地方，否则易引起仪器内部部件的损坏。
3. 避免接近高温，避免接近直接热源，如直射太阳光、暖气等其它发热体。
4. 不要有异物或液体落入机内，以免部件短路。
5. 不要将磁体放置于仪器附近。

### 警告

为防止火灾或触电事故，请不要将该机放置于淋雨或潮湿处。

### 安装

安装辅助管理模块，请参看安装指南。

### 保修及技术支持

如果您按照以上步骤操作时遇到了困难，或想了解其它产品性能，请按以下方式与我们联系。

如是硬件故障：

1. 与售出单位或当地维修机构联系。
2. 中国惠普有限公司维修中心地址：  
北京市海淀区知春路49号 希格玛大厦  
联系电话：010-62623888 转 6101  
邮政编码：100080

如是软件问题：

1. 惠普用户响应中心热线电话：010-65645959
2. 传真自动回复系统：010-65645735

# EMC Regulatory Statements

## U.S.A.

### FCC Class A

This equipment has been tested and found to comply with the limits for a Class A digital device, pursuant to Part 15 of the FCC Rules. These limits are designed to provide reasonable protection against interference when the equipment is operated in a commercial environment. This equipment generates, uses, and can radiate radio frequency energy and, if not installed and used in accordance with the instruction manual, may cause interference to radio communications. Operation of this equipment in a residential area may cause interference in which case the user will be required to correct the interference at his own expense.

## Canada

This product complies with Class A Canadian EMC requirements.

## Australia/New Zealand



This product complies with Australia/New Zealand EMC Class A requirements.

## Japan

### VCCI Class A

この装置は、情報処理装置等電波障害自主規制協議会（VCCI）の基準に基づくクラスA情報技術装置です。この装置を家庭環境で使用すると電波妨害を引き起こすことがあります。この場合には使用者が適切な対策を講ずるよう要求されることがあります。

## Korea



사용자 안내문 : A 급기기

이기는 업무용으로 전자파 적합등록을 받은 기기 이오니, 판매자 또는 사용자는 이점을 주의하시기 바라며, 만약 잘못 구입하셨을 때에는 구입한 곳에서 비업무용으로 교환하시기 바랍니다.

## Taiwan

警告使用者：這是甲類的資訊產品，在居住的環境中使用時，可能會造成射頻干擾，在這種情況下，使用者會被要求採取某些適當的對策。

## European Community

	<b>DECLARATION OF CONFORMITY</b> according to ISO/IEC 17050-1 and EN 17050-1	
	<b>DoC #: RSVLC-0704-091608</b>	
<b>Supplier's Name:</b>	Hewlett-Packard Company	
<b>Manufacturer's Address:</b>	8000 Foothills Blvd., Roseville, CA 95747 U.S.A.	
<b>declares, that the product</b>		
<b>Product Name<sup>2</sup>:</b>	HP ProCurve 6600 - 24G HP ProCurve 6600 - 24G-4XG HP ProCurve 6600 - 24XG	
<b>Product Number(s):</b>	J9263A, J9266A J9264A, J9267A J9265A, J9268A	
<b>Regulatory Model No<sup>1</sup>:</b>	RSVLC-0704	
<b>Product Options:</b>	J9269A	
<b>conforms to the following Product Specifications and Regulations:</b>		
<b>EMC:</b> Class A EN 55022:2006 EN 55024:2001+A2 (2003) EN 61000-3-2:2006 EN 61000-3-3:1995 +A1 (2001) +A2 (2005) FCC CFR47 Part 15		
<b>Safety:</b> EN 60950-1:2001 IEC 60950-1: 2001 EN 60825-1:1994 +A1+A2 / IEC 60825-1:1993 +A2 Class 1		
<b>Supplementary Information:</b> The device complies with part 15 of the FCC Rules. Operation is subject to the following two conditions: (1) this device may not cause harmful interference, and (2) this device must accept any interference received, including interference that may cause undesired operation. The product herewith complies with the requirements of the Low Voltage Directive 2006/95/EC, the EMC Directive 2004/108/EC and carries the CE marking accordingly.		
<b>Additional Information:</b> 1) This product is assigned a Regulatory Model Number which stays with the regulatory aspects of the design. The Regulatory Model Number is the main product identifier in the regulatory documentation and test reports, this number should not be confused with the marketing name or the product numbers. 2) This product was tested with HP branded products only.		
Roseville, 16-September-2008	 Mike Avery, Regulatory Engineering Mgr.	
<b>Local contact for regulatory information:</b> EMEA: Hewlett-Packard GmbH, HQ-TRE, Herrenberger Straße 140, D-71034 Böblingen, Germany U.S.: Hewlett-Packard, 3000 Hanover St., Palo Alto, CA 94304, U.S.A. 650-857-1501		



# Recycle Statements

## Waste Electrical and Electronic Equipment (WEEE) Statements



### Disposal of Waste Equipment by Users in Private Household in the European Union

This symbol on the product or on its packaging indicates that this product must not be disposed of with your other household waste. Instead, it is your responsibility to dispose of your waste equipment by handing it over to a designated collection point for the recycling of waste electrical and electronic equipment. The separate collection and recycling of your waste equipment at the time of disposal will help to conserve natural resources and ensure that it is recycled in a manner that protects human health and the environment. For more information about where you can drop off your waste equipment for recycling, please contact your local city office, your household waste disposal service or the shop where you purchased the product.



### Likvidace zařízení soukromými domácími uživateli v Evropské unii

Tento symbol na produktu nebo balení označuje výrobek, který nesmí být vyhozen spolu s ostatním domácím odpadem. Povinností uživatele je předat takto označený odpad na předem určené sběrné místo pro recyklaci elektrických a elektronických zařízení. Okamžité třídění a recyklace odpadu pomůže uchovat přírodní prostředí a zajistí takový způsob recyklace, který ochrání zdraví a životní prostředí člověka. Další informace o možnostech odevzdání odpadu k recyklaci získáte na příslušném obecním nebo městském úřadě, od firmy zabývající se sběrem a svozem odpadu nebo v obchodě, kde jste produkt zakoupili.



### Bortskaffelse af affald fra husstande i den Europæiske Union

Hvis produktet eller dets emballage er forsynet med dette symbol, angiver det, at produktet ikke må bortskaffes med andet almindeligt husholdningsaffald. I stedet er det dit ansvar at bortskaffe kasseret udstyr ved at aflevere det på den kommunale genbrugsstation, der forestår genvinding af kasseret elektrisk og elektronisk udstyr. Den centrale modtagelse og genvinding af kasseret udstyr i forbindelse med bortskaffelsen bidrager til bevarelse af naturlige ressourcer og sikrer, at udstyret genvindes på en måde, der beskytter både mennesker og miljø. Yderligere oplysninger om, hvor du kan aflevere kasseret udstyr til genvinding, kan du få hos kommunen, den lokale genbrugsstation eller i den butik, hvor du købte produktet.



### Seadmete jäätmete kõrvaldamine eramajapidamistes Euroopa Liidus

See tootel või selle pakendil olev sümbol näitab, et kõnealust toodet ei tohi koos teiste majapidamisjäätmetega kõrvaldada. Teie kohus on oma seadmete jäätmed kõrvaldada, viies need elektri- ja elektroonikaseadmete jäätmete ringlussevõtmiseks selleks ettenähtud kogumispunkti. Seadmete jäätmete eraldi kogumine ja ringlussevõtmise kõrvaldamise ajal aitab kaitsta loodusvarasid ning tagada, et ringlussevõtmise toimub viisil, mis kaitseb inimeste tervist ning keskkonda. Lisateabe saamiseks selle kohta, kuhu oma seadmete jäätmed ringlussevõtmiseks viia, võtke palun ühendust oma kohaliku linnakantselei, majapidamisjäätmete kõrvaldamise teenistuse või kauplusega, kust Te toote ostsite.

**Laitteiden hävittäminen kotitalouksissa Euroopan unionin alueella**

Jos tuotteessa tai sen pakkauksessa on tämä merkki, tuotetta ei saa hävittää kotitalousjätteiden mukana. Tällöin hävitettävä laite on toimitettava sähkölaitteiden ja elektronisten laitteiden kierrätyspisteeseen. Hävitettävien laitteiden erillinen käsittely ja kierrätys auttavat säästämään luonnonvaroja ja varmistamaan, että laite kierrätetään tavalla, joka estää terveyshaitat ja suojelee luontoa. Lisätietoja paikoista, joihin hävitettävät laitteet voi toimittaa kierrätettäväksi, saa ottamalla yhteyttä jätehuoltoon tai liikkeeseen, josta tuote on ostettu.

**Élimination des appareils mis au rebut par les ménages dans l'Union européenne**

Le symbole apposé sur ce produit ou sur son emballage indique que ce produit ne doit pas être jeté avec les déchets ménagers ordinaires. Il est de votre responsabilité de mettre au rebut vos appareils en les déposant dans les centres de collecte publique désignés pour le recyclage des équipements électriques et électroniques. La collecte et le recyclage de vos appareils mis au rebut indépendamment du reste des déchets contribue à la préservation des ressources naturelles et garantit que ces appareils seront recyclés dans le respect de la santé humaine et de l'environnement. Pour obtenir plus d'informations sur les centres de collecte et de recyclage des appareils mis au rebut, veuillez contacter les autorités locales de votre région, les services de collecte des ordures ménagères ou le magasin dans lequel vous avez acheté ce produit.

**Entsorgung von Altgeräten aus privaten Haushalten in der EU**

Das Symbol auf dem Produkt oder seiner Verpackung weist darauf hin, dass das Produkt nicht über den normalen Hausmüll entsorgt werden darf. Benutzer sind verpflichtet, die Altgeräte an einer Rücknahmestelle für Elektro- und Elektronik-Altgeräte abzugeben. Die getrennte Sammlung und ordnungsgemäße Entsorgung Ihrer Altgeräte trägt zur Erhaltung der natürlichen Ressourcen bei und garantiert eine Wiederverwertung, die die Gesundheit des Menschen und die Umwelt schützt. Informationen dazu, wo Sie Rücknahmestellen für Ihre Altgeräte finden, erhalten Sie bei Ihrer Stadtverwaltung, den örtlichen Müllentsorgungsbetrieben oder im Geschäft, in dem Sie das Gerät erworben haben

**Απορριψη άχρηστου εξοπλισμού από χρήστες σε ιδιωτικά νοικοκυριά στην Ευρωπαϊκή Ένωση**

Το σύμβολο αυτό στο προϊόν ή τη συσκευασία του υποδεικνύει ότι το συγκεκριμένο προϊόν δεν πρέπει να διατίθεται μαζί με τα άλλα οικιακά σας απορρίμματα. Αντίθετα, είναι δική σας ευθύνη να απορρίψετε τον άχρηστο εξοπλισμό σας παραδίδοντάς τον σε καθορισμένο σημείο συλλογής για την ανακύκλωση άχρηστου ηλεκτρικού και ηλεκτρονικού εξοπλισμού. Η ξεχωριστή συλλογή και ανακύκλωση του άχρηστου εξοπλισμού σας κατά την απόρριψη θα συμβάλει στη διατήρηση των φυσικών πόρων και θα διασφαλίσει ότι η ανακύκλωση γίνεται με τρόπο που προστατεύει την ανθρώπινη υγεία και το περιβάλλον. Για περισσότερες πληροφορίες σχετικά με το πού μπορείτε να παραδώσετε τον άχρηστο εξοπλισμό σας για ανακύκλωση, επικοινωνήστε με το αρμόδιο τοπικό γραφείο, την τοπική υπηρεσία διάθεσης οικιακών απορριμμάτων ή το κατάστημα όπου αγοράσατε το προϊόν.

**Készülékek magánháztartásban történő selejtezése az Európai Unió területén**

A készüléken, illetve a készülék csomagolásán látható azonos szimbólum annak jelzésére szolgál, hogy a készülék a selejtezés során az egyéb háztartási hulladéktól eltérő módon kezelendő. A vásárló a hulladékká vált készüléket köteles a kijelölt gyűjtőhelyre szállítani az elektromos és elektronikai készülékek újrahasznosítása céljából. A hulladékká vált készülékek selejtezés kori begyűjtése és újrahasznosítása hozzájárul a természeti erőforrások megőrzéséhez, valamint biztosítja a selejtezett termékek környezetre és emberi egészségre nézve biztonságos feldolgozását. A begyűjtés pontos helyéről bővebb tájékoztatást a lakhelye szerint illetékes önkormányzattól, az illetékes személtakarító vállalattól, illetve a terméket eláruló helyen kaphat.



### Smaltimento delle apparecchiature da parte di privati nel territorio dell'Unione Europea

Questo simbolo presente sul prodotto o sulla sua confezione indica che il prodotto non può essere smaltito insieme ai rifiuti domestici. È responsabilità dell'utente smaltire le apparecchiature consegnandole presso un punto di raccolta designato al riciclo e allo smaltimento di apparecchiature elettriche ed elettroniche. La raccolta differenziata e il corretto riciclo delle apparecchiature da smaltire permette di proteggere la salute degli individui e l'ecosistema. Per ulteriori informazioni relative ai punti di raccolta delle apparecchiature, contattare l'ente locale per lo smaltimento dei rifiuti, oppure il negozio presso il quale è stato acquistato il prodotto.



### Nolietotu iekārtu iznīcināšanas noteikumi lietotājiem Eiropas Savienības privātajās mājāsaimniecībās

Šāds simbols uz izstrādājuma vai uz tā iesaiņojuma norāda, ka šo izstrādājumu nedrīkst izmest kopā ar citiem sadzīves atkritumiem. Jūs atbildat par to, lai nolietotās iekārtas tiktu nodotas speciāli iekārtotos punktos, kas paredzēti izmantoto elektrisko un elektronisko iekārtu savākšanai otrreizējai pārstrādei. Atsevišķa nolietoto iekārtu savākšana un otrreizējā pārstrāde palīdzēs saglabāt dabas resursus un garantēs, ka šīs iekārtas tiks otrreizēji pārstrādātas tādā veidā, lai pasargātu vidi un cilvēku veselību. Lai uzzinātu, kur nolietotās iekārtas var izmest otrreizējai pārstrādei, jāvērsas savas dzīves vietas pašvaldībā, sadzīves atkritumu savākšanas dienestā vai veikalā, kurā izstrādājums tika nopirkts.



### Vartotojū iš privačū namū ūkių įrangos atliekų šalinimas Europos Sąjungoje

Šis simbolis ant gaminio arba jo pakuotės rodo, kad šio gaminio šalinti kartu su kitomis namų ūkio atliekomis negalima. Šalintinas įrangos atliekas privalote pristatyti į specialią surinkimo vietą elektros ir elektroninės įrangos atliekoms perdirbti. Atskirai surenkamos ir perdirbamos šalintinos įrangos atliekos padės saugoti gamtinius išteklius ir užtikrinti, kad jos bus perdirbtos tokiu būdu, kuris nekenkia žmonių sveikatai ir aplinkai. Jeigu norite sužinoti daugiau apie tai, kur galima pristatyti perdirbtinas įrangos atliekas, kreipkitės į savo seniūniją, namų ūkio atliekų šalinimo tarnybą arba parduotuvę, kurioje įsigijote gaminį.



### Verwijdering van afgedankte apparatuur door privé-gebruikers in de Europese Unie

Dit symbool op het product of de verpakking geeft aan dat dit product niet mag worden gedeponeerd bij het normale huishoudelijke afval. U bent zelf verantwoordelijk voor het inleveren van uw afgedankte apparatuur bij een inzamelingspunt voor het recyclen van oude elektrische en elektronische apparatuur. Door uw oude apparatuur apart aan te bieden en te recyclen, kunnen natuurlijke bronnen worden behouden en kan het materiaal worden hergebruikt op een manier waarmee de volksgezondheid en het milieu worden beschermd. Neem contact op met uw gemeente, het afvalinzamelingsbedrijf of de winkel waar u het product hebt gekocht voor meer informatie over inzamelingspunten waar u oude apparatuur kunt aanbieden voor recycling.



### Pozbywanie się zużytego sprzętu przez użytkowników w prywatnych gospodarstwach domowych w Unii Europejskiej

Ten symbol na produkcie lub jego opakowaniu oznacza, że produktu nie wolno wyrzucać do zwykłych pojemników na śmieci. Obowiązkiem użytkownika jest przekazanie zużytego sprzętu do wyznaczonego punktu zbiórki w celu recyklingu odpadów powstałych ze sprzętu elektrycznego i elektronicznego. Osobna zbiórka oraz recykling zużytego sprzętu pomogą w ochronie zasobów naturalnych i zapewnią ponowne wprowadzenie go do obiegu w sposób chroniący zdrowie człowieka i środowisko. Aby uzyskać więcej informacji o tym, gdzie można przekazać zużyty sprzęt do recyklingu, należy się skontaktować z urzędem miasta, zakładem gospodarki odpadami lub sklepem, w którym zakupiono produkt.



### Descarte de Lixo Elétrico na Comunidade Européia

Este símbolo encontrado no produto ou na embalagem indica que o produto não deve ser descartado no lixo doméstico comum. É responsabilidade do cliente descartar o material usado (lixo elétrico), encaminhando-o para um ponto de coleta para reciclagem. A coleta e a reciclagem seletivas desse tipo de lixo ajudarão a conservar as reservas naturais; sendo assim, a reciclagem será feita de uma forma segura, protegendo o ambiente e a saúde das pessoas. Para obter mais informações sobre locais que reciclam esse tipo de material, entre em contato com o escritório da HP em sua cidade, com o serviço de coleta de lixo ou com a loja em que o produto foi adquirido.



### Likvidácia vyradených zariadení v domácnostiach v Európskej únii

Symbol na výrobku alebo jeho balení označuje, že daný výrobok sa nesmie likvidovať s domovým odpadom. Povinnosťou spotrebiteľa je odovzdať vyradené zariadenie v zbernom mieste, ktoré je určené na recykláciu vyradených elektrických a elektronických zariadení. Separovaný zber a recyklácia vyradených zariadení prispieva k ochrane prírodných zdrojov a zabezpečuje, že recyklácia sa vykonáva spôsobom chrániacim ľudské zdravie a životné prostredie. Informácie o zberných miestach na recykláciu vyradených zariadení vám poskytne miestne zastupiteľstvo, spoločnosť zabezpečujúca odvoz domového odpadu alebo obchod, v ktorom ste si výrobok zakúpili.



### Odstranjevanje odslužene opreme uporabnikov v zasebnih gospodinjstvih v Evropski uniji

Ta znak na izdelku ali njegovi embalaži pomeni, da izdelka ne smete odvreči med gospodinjске odpadke. Nasprotno, odsluženo opremo morate predati na zbirališče, pooblaščeno za recikliranje odslužene električne in elektronske opreme. Ločeno zbiranje in recikliranje odslužene opreme prispeva k ohranjanju naravnih virov in zagotavlja recikliranje te opreme na zdravju in okolju neškodljivo način. Za podrobnejše informacije o tem, kam lahko odpeljete odsluženo opremo na recikliranje, se obrnite na pristojni organ, komunalno službo ali trgovino, kjer ste izdelek kupili.



### Eliminación de residuos de equipos eléctricos y electrónicos por parte de usuarios particulares en la Unión Europea

Este símbolo en el producto o en su envase indica que no debe eliminarse junto con los desperdicios generales de la casa. Es responsabilidad del usuario eliminar los residuos de este tipo depositándolos en un "punto limpio" para el reciclado de residuos eléctricos y electrónicos. La recogida y el reciclado selectivos de los residuos de aparatos eléctricos en el momento de su eliminación contribuirá a conservar los recursos naturales y a garantizar el reciclado de estos residuos de forma que se proteja el medio ambiente y la salud. Para obtener más información sobre los puntos de recogida de residuos eléctricos y electrónicos para reciclado, póngase en contacto con su ayuntamiento, con el servicio de eliminación de residuos domésticos o con el establecimiento en el que adquirió el producto.



### Bortskaffande av avfallsprodukter från användare i privathushåll inom Europeiska Unionen

Om den här symbolen visas på produkten eller förpackningen betyder det att produkten inte får slängas på samma ställe som hushållssopor. I stället är det ditt ansvar att bortskaffa avfallet genom att överlämna det till ett uppsamlingsställe avsett för återvinning av avfall från elektriska och elektroniska produkter. Separat insamling och återvinning av avfallet hjälper till att spara på våra naturresurser och gör att avfallet återvinns på ett sätt som skyddar människors hälsa och miljön. Kontakta ditt lokala kommunkontor, din närmsta återvinningsstation för hushållsavfall eller affären där du köpte produkten för att få mer information om var du kan lämna ditt avfall för återvinning.



# Index

---

## Numerics

- 10/100Base-TX ports
  - location on switch ... 1-4
- 1000Base-BX ... B-3
  - fiber-optic cable specifications ... B-3
- 1000Base-LH ... B-3
  - fiber-optic cable specifications ... B-3
- 1000Base-T
  - 1000Base-T
    - fiber-optic cable specifications ... B-3

## A

- AC power connector
  - location on back of switch ... 1-11
- Act LED ... 1-7, 1-9
- auto MDI/MDI-X operation ... B-7, B-9
  - HP Auto-MDIX feature ... B-6

## B

- back of switch
  - description ... 1-11
  - power connector ... 1-11
- basic switch configuration
  - IP address ... 3-3
  - manager password ... 3-2
  - subnet mask ... 3-3
  - switch setup screen ... 3-2
- basic troubleshooting tips ... 5-1
- battery
  - replacing battery ... 4-3
- Bootp
  - automatic switch configuration ... 3-2
  - for in-band access ... 2-19
- buttons
  - Clear button ... 1-10
  - port LED view select button ... 1-8
  - Reset button ... 1-9

## C

- cabinet
  - mounting the switch in ... 2-10

- cables
  - connecting cables to switch ports ... 2-18
  - effects of non-standard cables ... 5-2
  - fiber-optic, specifications ... B-3
  - infrastructure requirements ... 2-5
  - serial, for direct console connection ... 2-20
- cables, twisted pair
  - category 3, 4, 5 ... B-6
  - cross-over cable pin-out ... B-8
  - MDI-X to MDI connections ... B-7, B-9
  - MDI-X to MDI-X connections ... B-8
  - pin-outs ... B-7, B-9
  - straight-through cable pin-out ... B-7, B-9
  - switch-to-computer connection ... B-7, B-9
  - switch-to-switch or hub connection ... B-8
- cables, twisted-pair
  - HP Auto-MDIX feature ... B-6
  - wiring rules ... B-6
- cables, twisted-pair connector pin-outs ... B-6
- cabling infrastructure ... 2-5
- Clear button
  - deleting passwords ... 1-10
  - description ... 1-10
  - location on switch ... 1-4, 1-10
  - restoring factory default configuration ... 1-9–1-10, 5-11
  - to delete password protection ... 3-4
- CLI command savepower ... 1-8
- CLI prompt, console
  - displaying ... 2-21
- configuration
  - checking when troubleshooting ... 5-3
  - DHCP/Bootp ... 3-2
  - full duplex only for mini-GBICs ... 2-15
  - IP address ... 3-3
  - IP address, manually ... 3-2
  - manager password ... 3-2
  - restoring factory defaults ... 1-9–1-10, 5-11
  - subnet mask ... 3-3
  - switch setup screen ... 3-2
- connecting the switch to a power source ... 2-14

**console**

- checking messages during troubleshooting ... 5-9
- displaying the CLI prompt ... 2-21
- features ... 2-19
- how to connect in-band ... 2-19
- how to connect out-of-band ... 2-19
- serial cable connection ... 2-20
- switch setup screen ... 3-2
- telnet access ... 3-5
- terminal configuration ... 2-19

**console port**

- definition ... 1-10
- location on switch ... 1-4

**cross-over cable**

- pin-out ... B-8

**D****deleting passwords ... 1-10****description**

- back of switch ... 1-11
- front of switch ... 1-4
- LEDs ... 1-6
- switch ... 1-1

**desktop switch**

- sample topology ... 2-23

**DHCP**

- automatic switch configuration ... 3-2
- for in-band access ... 2-19

**diagnostic tests ... 5-9**

- checking the console messages ... 5-9
- checking the LEDs ... 5-9
- end-to-end connectivity ... 5-10
- testing the switch only ... 5-9
- testing twisted-pair cabling ... 5-10

**downloading new switch software ... 5-12****dual-personality ports**

- location on switch ... 1-5
- operation description ... 1-5

**E****electrical specifications, switch ... A-1****EMC regulatory statements ... C-8****environmental specifications, switch ... A-1****F****factory default configuration, restoring ... 1-9–1-10, 5-11****fan LED ... 1-6****Fan Status LED ... 1-6****fan Status LED ... 1-6****fans**

- replacing fan trays ... 4-1

**Fault LED**

- behavior during self test ... 2-7
- location on switch ... 1-4
- showing error conditions ... 5-4

**fault LED ... 1-6**

- behaviors ... 1-6

- flashing definition ... 1-8

**FDx LED ... 1-7, 1-9****features**

- console ... 2-19
- switch ... 1-11

**fiber-optic cables ... B-3**

- 1000Base-BX ... B-3

- 1000Base-LH ... B-3

- 1000Base-T ... B-3

**flashing LEDs**

- error indications ... 5-4

**front of switch ... 1-4**

- 10/100Base-TX ports ... 1-4

- Clear button ... 1-10

- description ... 1-4

- dual-personality ports ... 1-5

- LEDs ... 1-6

- network ports ... 1-5

- port LED view select button and LEDs ... 1-8

- Reset button ... 1-9

**full-duplex fixed configuration**

- effects on network connections ... 5-1

**full-duplex operation of mini-GBICs ... 2-15****H****hot swapping ... 4-1****HP Auto-MDIX**

- feature description ... B-6

**I****in-band ... 3-1**

- in-band console access
  - types of ... 2-19
- included parts ... 2-1
- installation
  - connecting the switch to a power source ... 2-14
  - location considerations ... 2-5
  - network cable requirements ... 2-5
  - precautions ... 2-3
  - rack or cabinet mounting ... 2-10
  - site preparation ... 2-5
  - summary of steps ... 2-4
- IP address
  - configuring ... 3-3

## L

- LEDs
  - Act ... 1-7, 1-9
  - behavior during self test ... 2-7
  - checking during troubleshooting ... 5-9
  - descriptions of ... 1-6
  - error indications ... 5-4
  - Fan Status ... 1-6
  - fan status ... 1-6
  - Fault
    - behavior during self test ... 2-7
    - showing error conditions ... 5-4
  - fault ... 1-6
  - FDx ... 1-7, 1-9
  - flashing definition ... 1-8
  - Link ... 1-7
  - location on switch ... 1-4
  - on switch ... 1-6
  - port
    - description ... 1-7
  - Port LED View select indicators ... 1-7
  - Port View
    - selecting the display ... 1-8
  - Power ... 1-6
    - behavior during self test ... 2-7
  - Self Test ... 1-7
    - behavior during self test ... 2-7
  - Spd ... 1-7, 1-9
  - Usr ... 1-7
  - Usr Mode ... 1-9
- Link LEDs ... 1-7
- link test ... 5-10
- location for the switch, considerations ... 2-5

## M

- MDI-X to MDI network cable ... B-7, B-9
- MDI-X to MDI-X network cable ... B-8
- mini-GBICs
  - full-duplex operation ... 2-15
  - slot, location on switch ... 1-4
- mode conditioning patch cord ... B-4
- mounting the switch
  - in a rack or cabinet ... 2-10
  - precautions ... 2-3

## N

- network cables
  - fiber-optic, specifications ... B-3
  - HP Auto-MDIX feature ... B-6
  - required types ... 2-5
  - twisted-pair connector pin-outs ... B-6
  - twisted-pair, wiring rules ... B-6
- network devices
  - connecting to the switch ... 2-18
- network ports
  - connecting to ... 2-18
  - location on switch ... 1-5
  - types of ... 1-5
- non-standard network cables, effects ... 5-2

## O

- out-of-band console access ... 3-5

## P

- parts, included with the switch ... 2-1
- password
  - configuring ... 3-2
- passwords
  - deleting with the Clear button ... 3-4
  - if you lose the password ... 3-4
- passwords, deleting ... 1-10
- physical specifications, switch ... A-1
- Ping test ... 5-10
- pin-outs
  - twisted-pair cables ... B-6
- port configuration
  - checking when troubleshooting ... 5-3

- Port LED View
  - indicator LEDs ... 1-8
  - select button ... 1-8
  - selecting the display ... 1-8
- port LEDs
  - description ... 1-7
  - Link ... 1-7
  - normal operation ... 2-7
- ports
  - 10/100Base-TX, location on switch ... 1-4
  - connecting to ... 2-18
  - console ... 2-19
  - HP Auto-MDIX feature ... B-6
  - network connections ... 2-18
- power connector ... 1-11
- Power LED ... 1-6
  - behavior during self test ... 2-7
  - behaviors ... 1-6
  - location on switch ... 1-4
- power source
  - connecting the switch to ... 2-14
- power supply
  - replacing ... 4-5
- precautions
  - mounting the switch ... 2-3
  - power requirements ... 2-3
- preparing the installation site ... 2-5
- Proactive Network tools
  - diagnostics with ... 5-8

**R**

- rack
  - mounting precautions ... 2-3
  - mounting the switch in ... 2-10
- ranges
  - voltage ... 1-11, 2-6
- recycle statements ... D-1
- regulatory statements ... C-8
- replacing components
  - battery ... 4-3
  - power supply ... 4-5
- replacing hardware
  - fans ... 4-1
- Reset button
  - description ... 1-9
  - location on switch ... 1-4, 1-9
  - restoring factory default configuration ... 5-11

- resetting the switch
  - factory default reset ... 5-11
  - location of Reset button ... 1-9
  - troubleshooting procedure ... 5-9
- reversing air flow
  - default air flow ... 2-8

## S

- safety and regulatory statements ... C-1
- safety specifications ... A-2
- savepower CLI command ... 1-8
- selecting the Port LED View display ... 1-8
- self test
  - Fault LED behavior ... 2-7
  - LED behavior during ... 2-7
  - Power LED behavior ... 2-7
- Self Test LED ... 1-7
  - behavior during factory default reset ... 5-11
- serial cable
  - for direct console connection ... 2-20
- slots for mini-GBICs
  - location on switch ... 1-4
- Spd LED ... 1-9
- Spd LEDs ... 1-7
- specifications
  - cabling ... B-1
  - distance ... B-3
  - electrical ... A-1
  - environmental ... A-1
  - physical ... A-1
  - safety ... A-2
- straight-through cable
  - pin-out ... B-7, B-9
- subnet mask
  - configuring ... 3-3
- summary
  - of switch installation ... 2-4

- switch
  - connecting to a power source ... 2-14
  - description ... 1-1
  - downloading new software ... 5-12
  - electrical specifications ... A-1
  - environmental specifications ... A-1
  - features ... 1-11
  - front panel description ... 1-4
  - included parts ... 2-1
  - LED descriptions ... 1-6
  - mounting in a rack or cabinet ... 2-10
  - physical specifications ... A-1
- switch operation
  - verifying after installation ... 2-5
- Switch Setup screen
  - configuring a subnet mask ... 3-3
  - configuring an IP address ... 3-3
  - field descriptions ... 3-3
- switch setup screen ... 3-2

## T

- technology distance specifications ... B-3
- telnet access to the console ... 3-5
- terminal configuration ... 2-19
- Test LED
  - behavior during self test ... 2-7
- testing
  - checking the console messages ... 5-9
  - checking the LEDs ... 5-9
  - diagnostic tests ... 5-9
  - end-to-end communications ... 5-10
  - link test ... 5-10
  - Ping test ... 5-10
  - switch operation ... 5-9
  - switch-to-device communications ... 5-10
  - twisted-pair cabling ... 5-10
- tips for troubleshooting ... 5-1
- topologies
  - effects of improper topology ... 5-2
  - samples of ... 2-22

- troubleshooting ... 5-1
  - basic tips ... 5-1
  - checking port configuration ... 5-3
  - checking the console messages ... 5-9
  - checking the LEDs ... 5-9
  - common network problems ... 5-1
  - connecting to fixed full-duplex devices ... 5-1
  - diagnostic tests ... 5-9
  - effects of improper topology ... 5-2
  - effects of non-standard cables ... 5-2
  - link test ... 5-10
  - Ping test ... 5-10
  - Proactive Network tools ... 5-8
  - restoring factory default configuration ... 5-11
  - testing connections to other devices ... 5-10
  - testing end-to-end communications ... 5-10
  - testing the switch ... 5-9
  - testing the twisted-pair cables ... 5-10
- twisted-pair cable
  - cross-over cable pin-out ... B-8
  - pin-outs ... B-6–B-7, B-9
  - straight-through cable pin-out ... B-7, B-9
  - switch-to-computer connection ... B-7, B-9
  - switch-to-switch or hub connection ... B-8
  - testing ... 5-10
- twisted-pair ports
  - HP Auto-MDIX feature ... B-6

## U

- Usr LEDs ... 1-7
- Usr Mode LED ... 1-9

## V

- voltage ranges ... 1-11, 2-6
- VT-100 terminal
  - serial cable connection for ... 2-20

## W

- wiring rules for twisted-pair cables ... B-6





© Copyright 2009 Hewlett-Packard  
Development Company, L.P.

January 2009

Manual Part Number  
5992-4962



## Free Manuals Download Website

<http://myh66.com>

<http://usermanuals.us>

<http://www.somanuals.com>

<http://www.4manuals.cc>

<http://www.manual-lib.com>

<http://www.404manual.com>

<http://www.luxmanual.com>

<http://aubethermostatmanual.com>

Golf course search by state

<http://golfingnear.com>

Email search by domain

<http://emailbydomain.com>

Auto manuals search

<http://auto.somanuals.com>

TV manuals search

<http://tv.somanuals.com>