



# HP 2-Megapixel Webcam Quick Start Guide RZ406AA

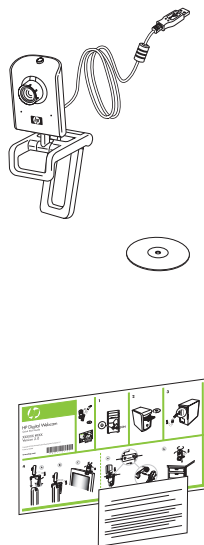
Copyright © 2006 Hewlett-Packard Development Company, L.P.  
Printed in Korea

[www.hp.com](http://www.hp.com)

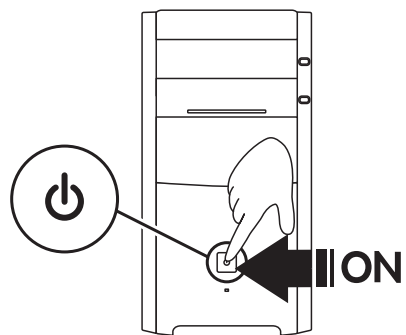
Version 1.0



Fold

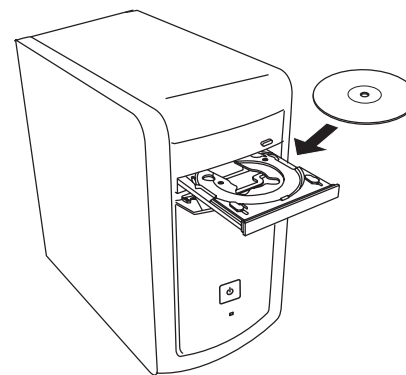


1

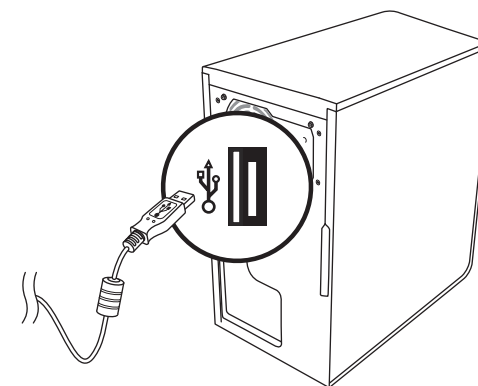


Fold

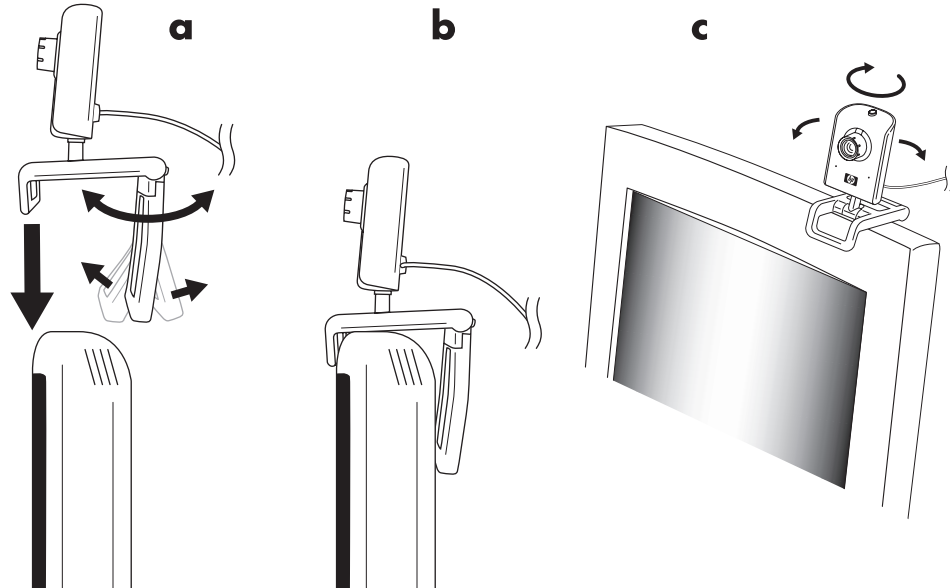
2



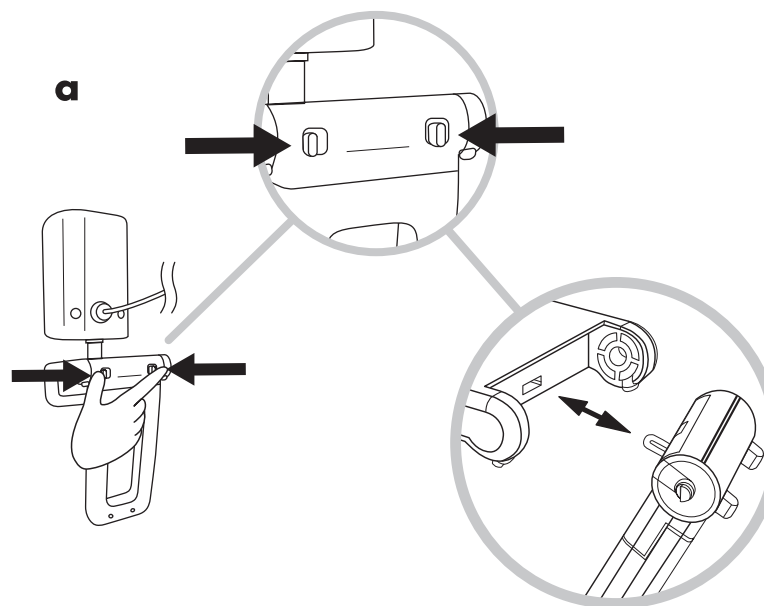
3



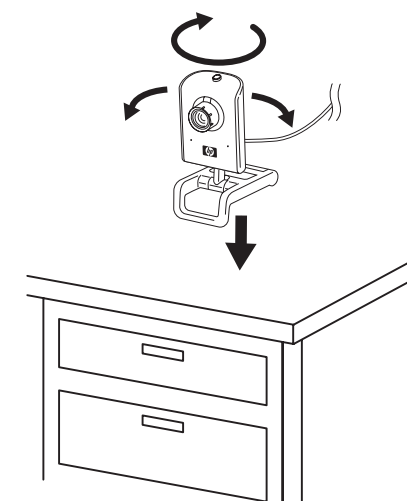
4



a



b



Fold

Fold

# DECLARATION OF CONFORMITY

according to ISO/IEC 17050-1 and EN 17050-1

**Supplier's Name:** Hewlett-Packard Company

**Supplier's Address:** Hewlett-Packard Company  
10955 Tantau Ave  
Cupertino, CA. 95014

**declares, that the product(s)**

**Product:** WEB CAMERA  
(HP 2-Megapixel Webcam)  
**Model Number(s):** **RZ406AA#XXX, SCA0190**

**conforms to the following Product Specifications:**

**EMC:** EN 55022: 1998 +A1:2000 +A2:2003, Class B  
EN 55024:+1998 +A1:2001 +A2:2003  
CISPR 22

**Supplementary Information:**

The product herewith complies with the requirements of the Low Voltage Directive 73/23/EEC, the EMC Directive 89/336/EEC and the R&TTE Directive 1999/5/EC and carries the "CE Marking" accordingly.

This device complies with Part 15 of FCC rules. Operation is subject to the following two conditions: (1) this device may not cause harmful interference, and (2) this device must accept any interference received, including interference that may cause undesired operation.

Cupertino, CA. USA November 21, 2006

**For regulatory compliance information only, contact:**

Australia Contact: Product Regulations Manager, Hewlett-Packard Australia Pty Ltd., 31-41 Joseph Street, Blackburn, Victoria 3130  
European Contact: Hewlett-Packard GmbH, HQ-TRE, Herrenberger Straße 140, 71034 Böblingen, Germany (FAX: +49-7031-14-3143).  
North America Contact: Hardware Quality Eng. Manager, Hewlett-Packard, CPC, 10955 Tantau Ave., Cupertino, CA 95014.

## Free Manuals Download Website

<http://myh66.com>

<http://usermanuals.us>

<http://www.somanuals.com>

<http://www.4manuals.cc>

<http://www.manual-lib.com>

<http://www.404manual.com>

<http://www.luxmanual.com>

<http://aubethermostatmanual.com>

Golf course search by state

<http://golfingnear.com>

Email search by domain

<http://emailbydomain.com>

Auto manuals search

<http://auto.somanuals.com>

TV manuals search

<http://tv.somanuals.com>