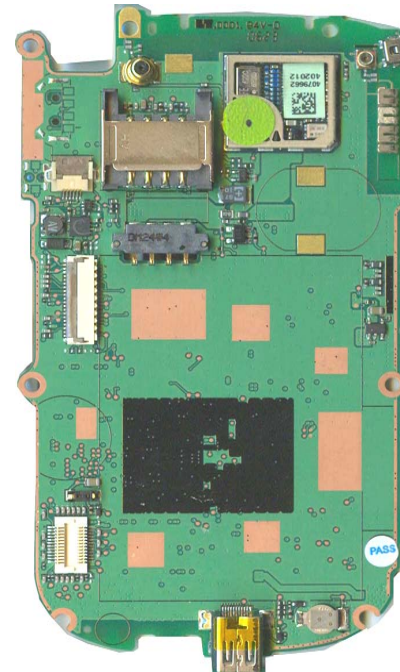


Excalibur MB Repair Guide

PAGE : 1 OF 16

機種 MODEL	Excalibur-series	料號 P/N	51H00369-XXM	文件編號 Doc NO.	GSD-00005575			製作 Initiator	李文騰 Wenteng_Lee
站別 STATION	Repair Center	作業名稱 Operation	M/B Repair Guide	發行日期 ISSUE DATE	2008/11/13	版本 REV:	AX03	備註 Remark	

Excalibur Series MB Repair Guide





Excalibur MB Repair Guide

機種 MODEL	Excalibur-series	料號 P/N	51H00369-XXM	文件編號 Doc NO.	GSD-00005575			製作 Initiator	李文騰 Wenteng_Lee
站別 STATION	Repair Center	作業名稱 Operation	M/B Repair Guide	發行日期 ISSUE DATE	2008/11/13	版本 REV:	AX03	備註 Remark	

Table of content

I.Introduction of Repair hand tools & equipments

2.1 Introduction of Repair hand tools & equipments1.....	P4
2.2 Introduction of Repair hand tools & equipments2.....	P5

II.Excalibur series PCA Block Diagram

2.1 Main Board Top side.....	P6
2.2 Main Board Bottom side	P7
2.3 Replace tools vs L2.5 Component (Top side).....	P8
2.4 Replace tools vs L2.5 Component (Botton side).....	P9

III.Excalibur series failure MB debug

3.1 Power Problem.....	P10
3.2 Audio Problem.....	P11
3.3 Charge Problem.....	P12
3.4 Backlight Problem.....	P13
3.5 USB Problem.....	P14
3.6 Vibrator Problem.....	P15
3.7 Micro SD Problem.....	P16

Excalibur MB Repair Guide

PAGE : 3 OF 16

機種 MODEL	Excalibur-series	料號 P/N	51H00369-XXM	文件編號 Doc NO.	GSD-00005575			製 作 Initiator	李文騰 Wenteng_Lee
站別 STATION	Repair Center	作業名稱 Operation	M/B Repair Guide	發行日期 ISSUE DATE	2008/11/13	版本 REV:	AX03	備註 Remark	

1.Purpose:

This repair guide provides information and techniques for Excalibur-series M/B repairing, including requested tools & equipment, major components on PCBA, and fundamental failure debugging.

2.Scope :

This Repair Guide is allowed to use in HTC TW, HTC USA, HTC EU, and other repair facilities upon approved. Targeted audience are experienced repair technicians in entry level through middle level .

3.History :

- 2008/09/08 First revision (XA01) release.
- 2008/09/15 First revision (XA02) release.
- 2008/11/13 Fix some error data (AX03) release.

Excalibur MB Repair Guide

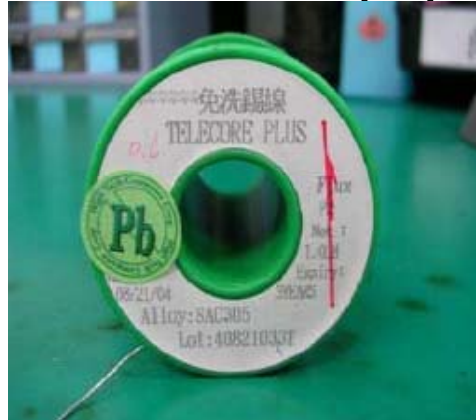
PAGE : 4 OF 16

機種 MODEL	Excalibur-series	料號 P/N	51H00369-XXM	文件編號 Doc NO.	GSD-00005575			製作 Initiator	李文騰 Wenteng_Lee
站別 STATION	Repair Center	作業名稱 Operation	M/B Repair Guide	發行日期 ISSUE DATE	2008/11/13	版本 REV:	AX03	備註 Remark	I. Introduction of repair hand tools & equipments 1

I. Introduction of repair hand tools & equipments 1



METCAL-PS800 High temp. solder station



Solder Wire



Solder-wick tweezers brush



MULTIMETER GDM 351A



Flux and solvent



HAKKO HEATING GUN No.882

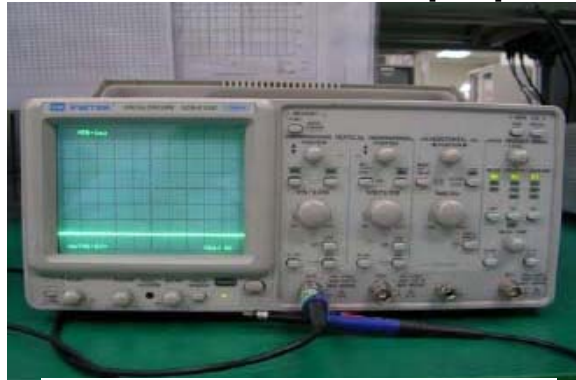
Excalibur MB Repair Guide

機種 MODEL	Excalibur-series	料號 P/N	51H00369-XXM	文件編號 Doc NO.	GSD-00005575			製作 Initiator	李文騰 Wenteng_Lee
站別 STATION	Repair Center	作業名稱 Operation	M/B Repair Guide	發行日期 ISSUE DATE	2008/11/13	版本 REV:	AX03	備註 Remark	I. Introduction of repair hand tools & equipments 2

I. Introduction of repair hand tools & equipments 2



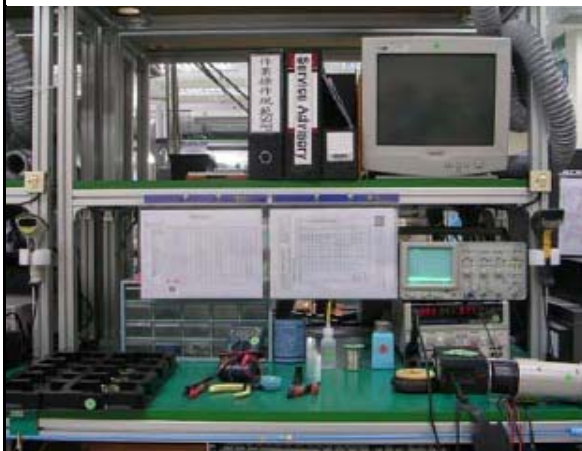
Nekotech 850D solder station



OSCILLOSCOPE GOS-6103C



DC Power Supply

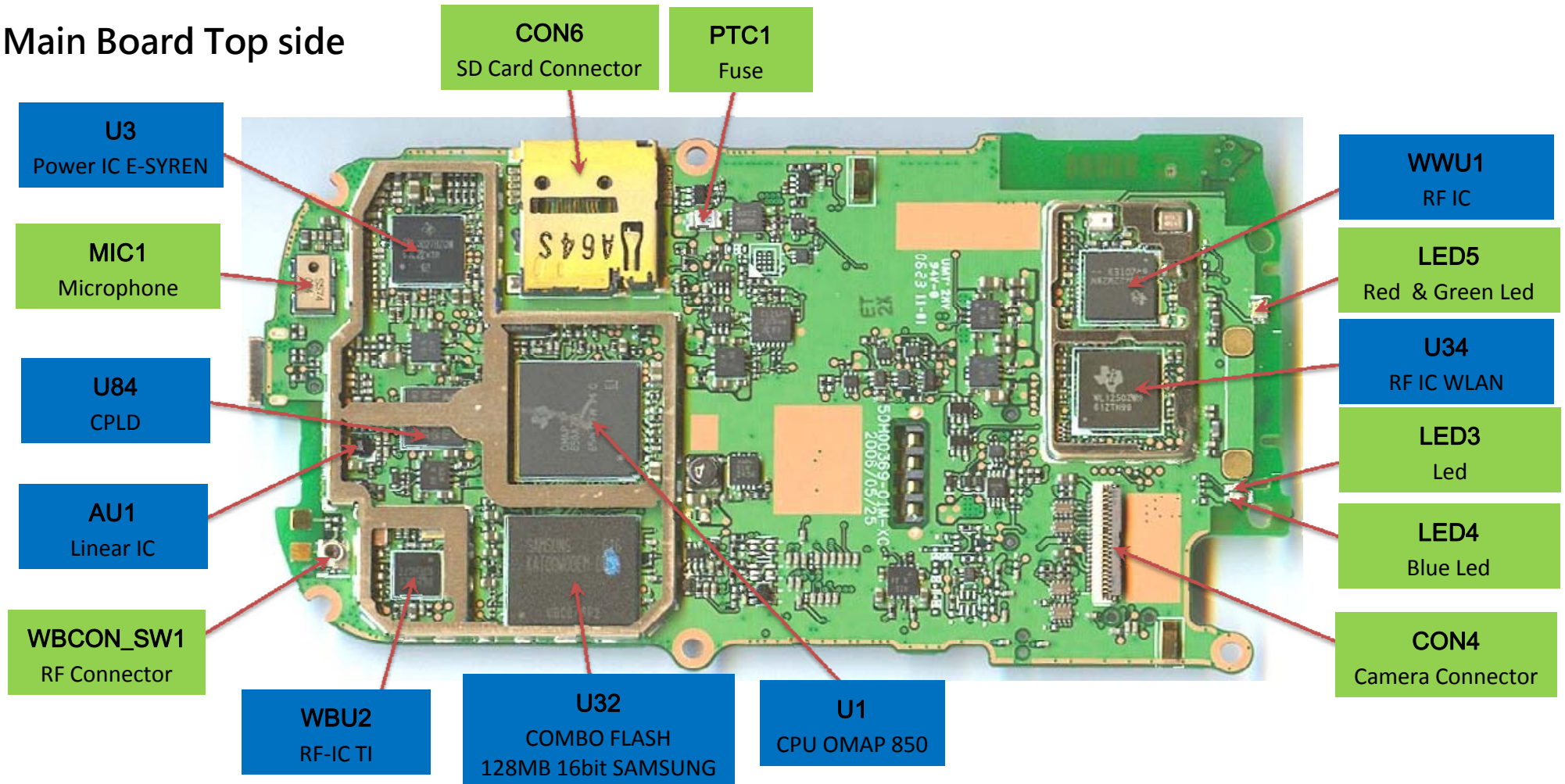


PB Free MB repair station

Excalibur MB Repair Guide

機種 MODEL	Excalibur-series	料號 P/N	51H00369-XXM	文件編號 Doc NO.	GSD-00005575			製作 Initiator	李文騰 Wenteng_Lee
站別 STATION	Repair Center	作業名稱 Operation	M/B Repair Guide	發行日期 ISSUE DATE	2008/11/13	版本 REV:	AX03	備註 Remark	II.Excalibur series PCA Block Diagram

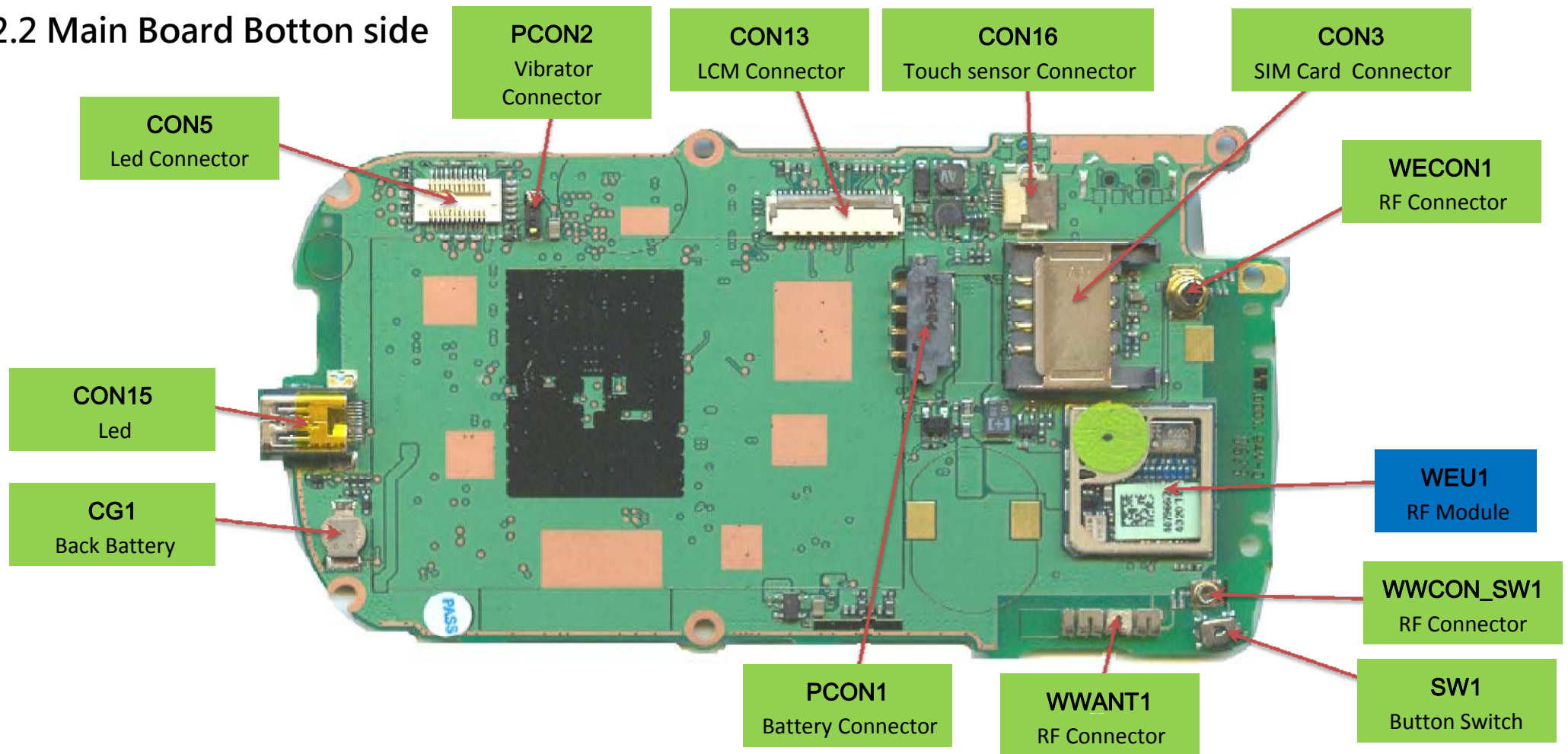
2.1 Main Board Top side



Excalibur MB Repair Guide

機種 MODEL	Excalibur-series	料號 P/N	51H00369-XXM	文件編號 Doc NO.	GSD-00005575			製作 Initiator	李文騰 Wenteng_Lee
站別 STATION	Repair Center	作業名稱 Operation	M/B Repair Guide	發行日期 ISSUE DATE	2008/11/13	版本 REV:	AX03	備註 Remark	II.Excalibur series PCA Block Diagram

2.2 Main Board Botton side



Excalibur MB Repair Guide

機種 MODEL	Excalibur-series	料號 P/N	51H00369-XXM	文件編號 Doc NO.	GSD-00005575			製作 Initiator	李文騰 Wenteng_Lee
站別 STATION	Repair Center	作業名稱 Operation	M/B Repair Guide	發行日期 ISSUE DATE	2008/11/13	版本 REV:	AX03	備註 Remark	II.Excalibur series PCA Block Diagram

2.3 Replace tools vs L2.5 Component (Top side)

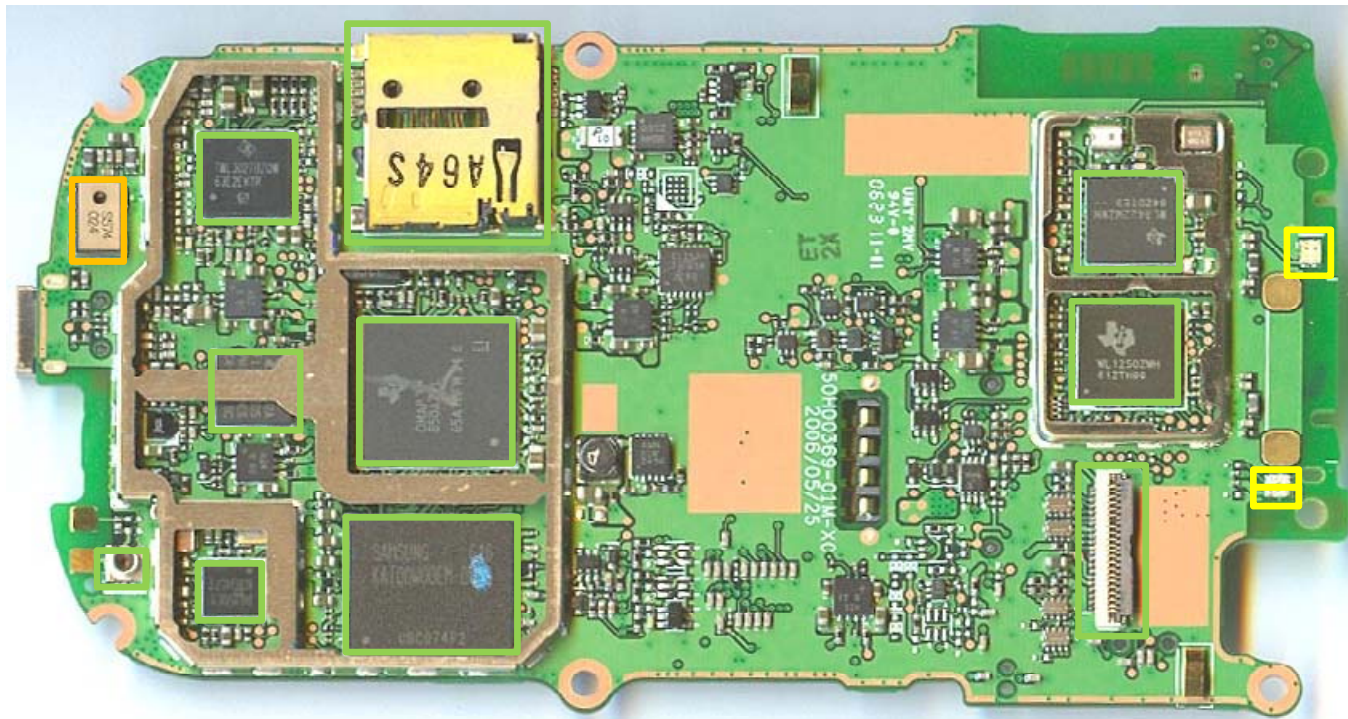
Remove by Small Blower & Remonut Soldeing Iron

Remove by Small Blower & Remonut by Big Blower

Remove by Soldeing Iron & Remonut by Soldeing Iron

Remove by Big Blower & Remonut Soldeing Iron

Remove by Big Blower & Remonut by Big Blower



Excalibur MB Repair Guide

機種 MODEL	Excalibur-series	料號 P/N	51H00369-XXM	文件編號 Doc NO.	GSD-00005575			製作 Initiator	李文騰 Wenteng_Lee
站別 STATION	Repair Center	作業名稱 Operation	M/B Repair Guide	發行日期 ISSUE DATE	2008/11/13	版本 REV:	AX03	備註 Remark	II.Excalibur series PCA Block Diagram

2.4 Replace tools vs L2.5 Component (Botton side)

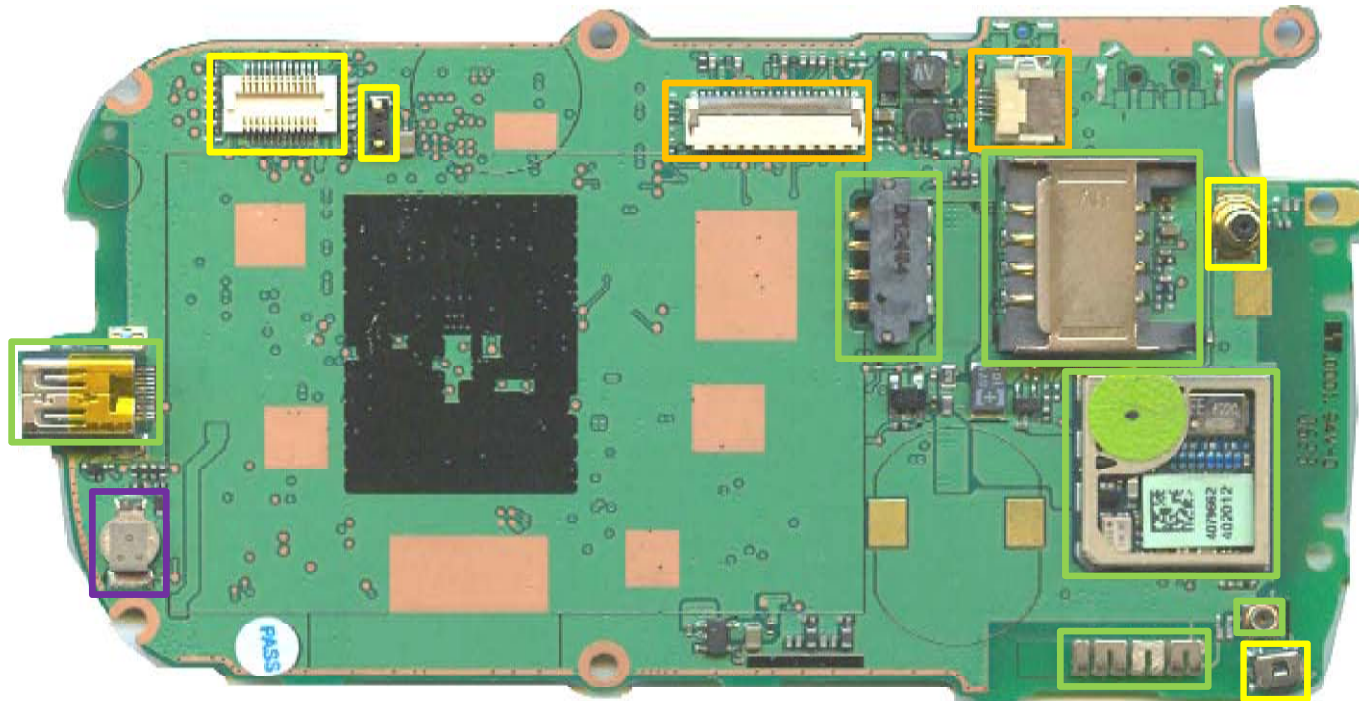
Remove by Small Blower & Remonut Soldeing Iron

Remove by Small Blower & Remonut by Big Blower

Remove by Soldeing Iron& Remonut by Soldeing Iron

Remove by Big Blower & Remonut Soldeing Iron

Remove by Big Blower & Remonut by Big Blower



Excalibur MB Repair Guide

機種 MODEL	Excalibur-series	料號 P/N	51H00369-XXM	文件編號 Doc NO.	GSD-00005575			製作 Initiator	李文騰 Wenteng_Lee
站別 STATION	Repair Center	作業名稱 Operation	M/B Repair Guide	發行日期 ISSUE DATE	2008/11/13	版本 REV:	AX03	備註 Remark	III.Excalibur series failure MB debug

3.1 Power Problem

Problem verify and check as below

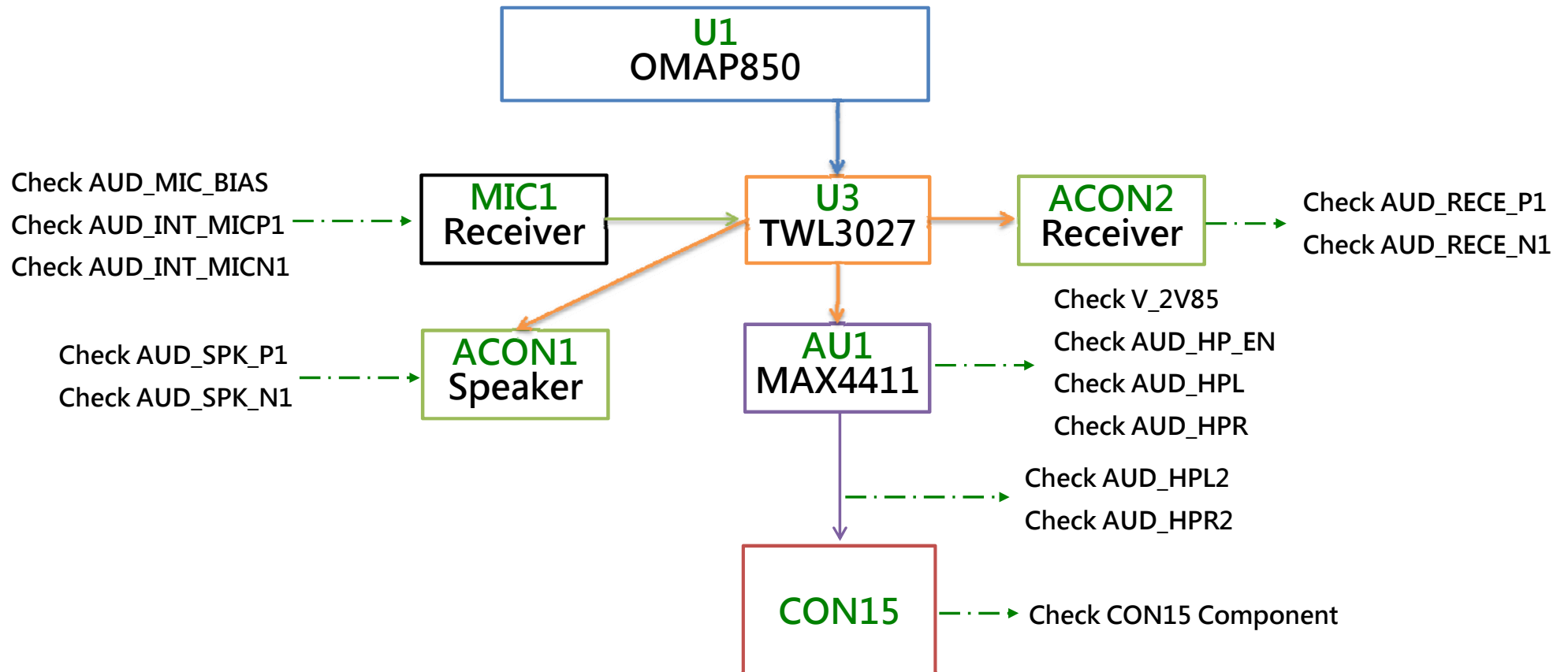
- | | |
|---------------------------------|---|
| 1.Check V_DCIN (PR82 pin 1) | 10.Check V_CPLD2V85 (PJ15 pin 2) |
| 2.Check VCC_SYR (R46 pin 2) | 11.Check CPLD_RESET# (D19 pin 2) |
| 3.Check V_Backup (PC79 pin 1) | 12.Check ON_OFF# (C87 pin 1) |
| 4.Check VDD_RTC (R2 pin 2) | 13.Check WE_OMAP_26M (WER25 pin 1) |
| 5.Check PWON# (C96 pin 2) | 14.Check V_FLASH_CORE_1V85 (C464 pin 1) |
| 6.Check Regen (D4 pin 1) | 15.Check V_FLASH_RESET (R724 pin 2) |
| 7.Check V_CORE_1V6 (PR13 pin 1) | 16.Check V_FLASH_CS# (R725 pin 2) |
| 8.Check V_2V85 (WER21 pin 2) | |
| 9.Check V_3V3 (PJ14 pin 2) | |

Excalibur MB Repair Guide

機種 MODEL	Excalibur-series	料號 P/N	51H00369-XXM	文件編號 Doc NO.	GSD-00005575			製作 Initiator	李文騰 Wenteng_Lee
站別 STATION	Repair Center	作業名稱 Operation	M/B Repair Guide	發行日期 ISSUE DATE	2008/11/13	版本 REV:	AX03	備註 Remark	III.Excalibur series failure MB debug

3.2 Audio Problem

Problem verify and check as below

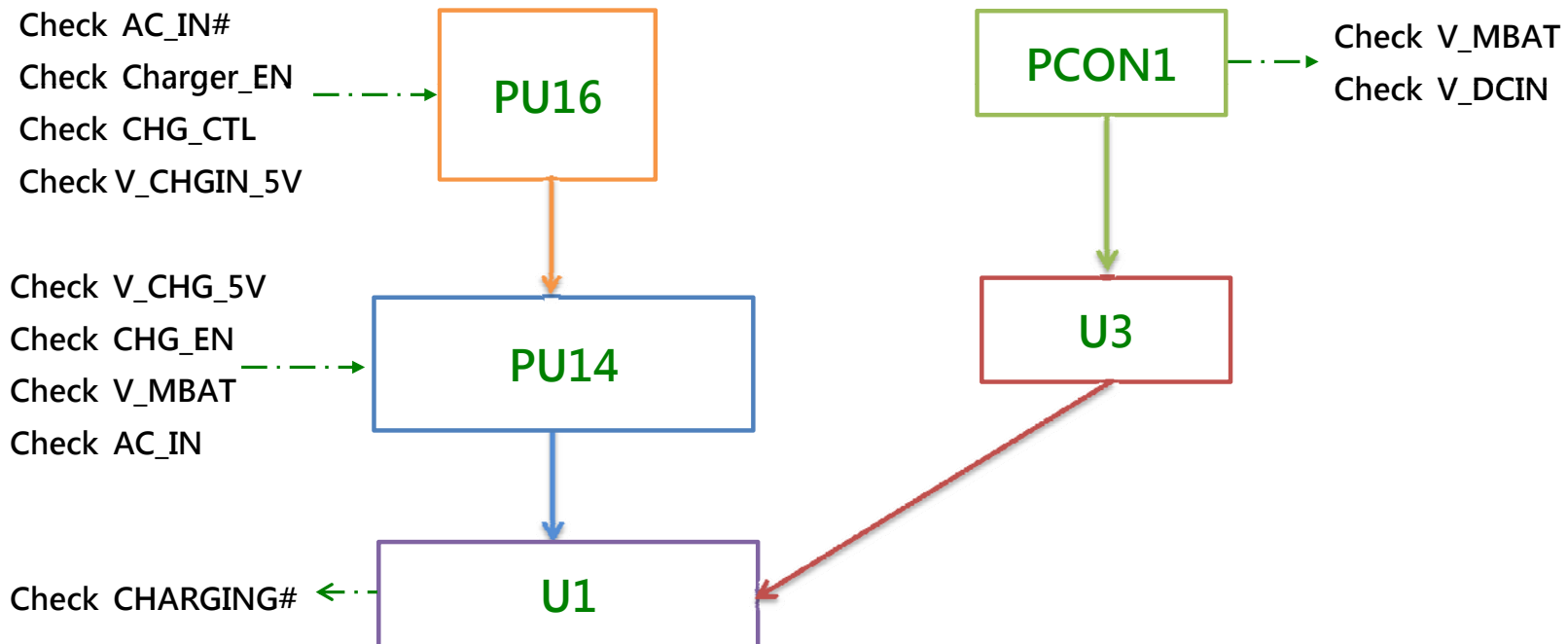


Excalibur MB Repair Guide

機種 MODEL	Excalibur-series	料號 P/N	51H00369-XXM	文件編號 Doc NO.	GSD-00005575			製作 Initiator	李文騰 Wenteng_Lee
站別 STATION	Repair Center	作業名稱 Operation	M/B Repair Guide	發行日期 ISSUE DATE	2008/11/13	版本 REV:	AX03	備註 Remark	III.Excalibur series failure MB debug

3.3 Charge Problem

Problem verify and check as below



Excalibur MB Repair Guide

機種 MODEL	Excalibur-series	料號 P/N	51H00369-XXM	文件編號 Doc NO.	GSD-00005575			製作 Initiator	李文騰 Wenteng_Lee
站別 STATION	Repair Center	作業名稱 Operation	M/B Repair Guide	發行日期 ISSUE DATE	2008/11/13	版本 REV:	AX03	備註 Remark	III.Excalibur series failure MB debug

3.4 Backlight Problem

Problem verify and check as below



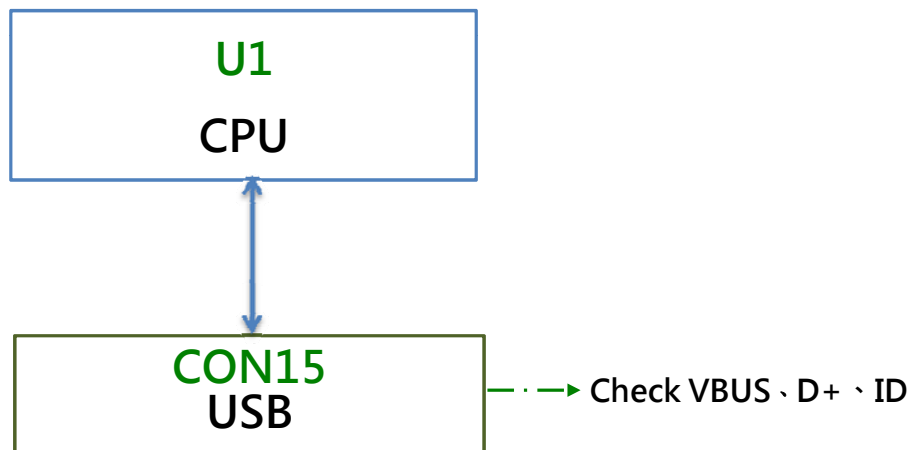
Excalibur MB Repair Guide

機種 MODEL	Excalibur-series	料號 P/N	51H00369-XXM	文件編號 Doc NO.	GSD-00005575			製作 Initiator	李文騰 Wenteng_Lee
站別 STATION	Repair Center	作業名稱 Operation	M/B Repair Guide	發行日期 ISSUE DATE	2008/11/13	版本 REV:	AX03	備註 Remark	III.Excalibur series failure MB debug

3.5 USB Problem

Problem verify and check as below

	VBUS	D+	D-
RS232	0	1	0
USB	1	0	1
AC	1	0	0
Carkit	1	1	0

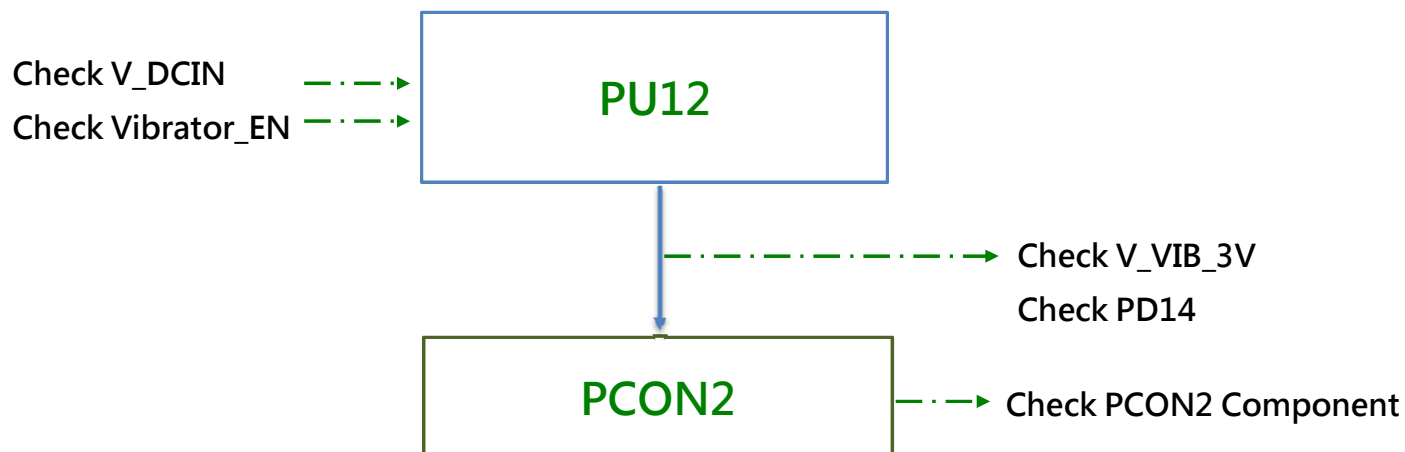


Excalibur MB Repair Guide

機種 MODEL	Excalibur-series	料號 P/N	51H00369-XXM	文件編號 Doc NO.	GSD-00005575			製作 Initiator	李文騰 Wenteng_Lee
站別 STATION	Repair Center	作業名稱 Operation	M/B Repair Guide	發行日期 ISSUE DATE	2008/11/13	版本 REV:	AX03	備註 Remark	III.Excalibur series failure MB debug

3.6 Vibrator Problem

Problem verify and check as below

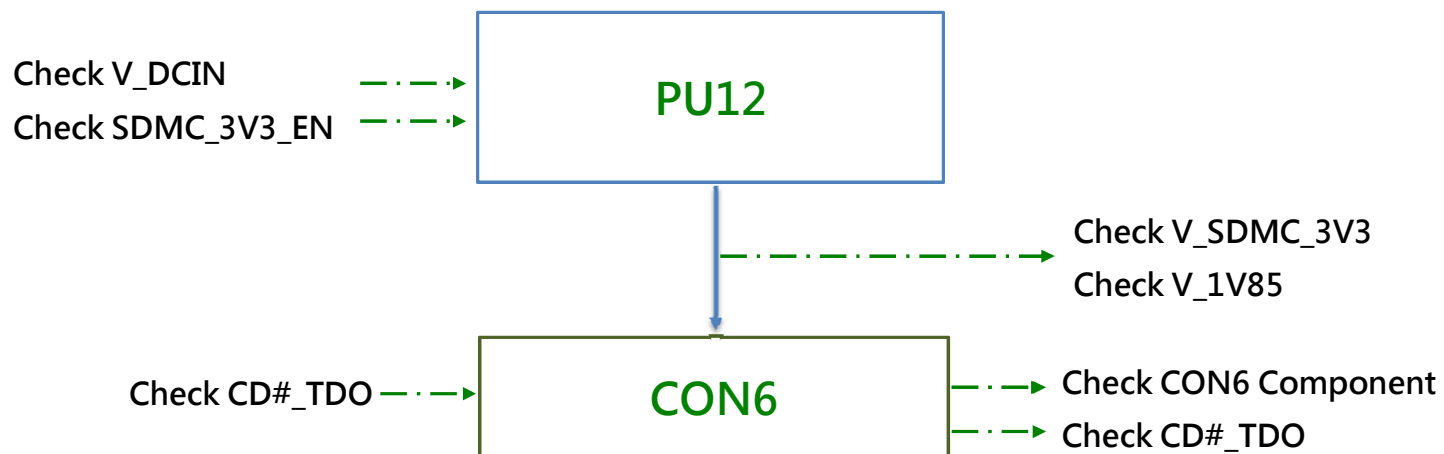


Excalibur MB Repair Guide

機種 MODEL	Excalibur-series	料號 P/N	51H00369-XXM	文件編號 Doc NO.	GSD-00005575			製作 Initiator	李文騰 Wenteng_Lee
站別 STATION	Repair Center	作業名稱 Operation	M/B Repair Guide	發行日期 ISSUE DATE	2008/11/13	版本 REV:	AX03	備註 Remark	III.Excalibur series failure MB debug

3.7 Micro SD Problem

Problem verify and check as below



Excalibur MB Repair Guide

機種 MODEL	Excalibur-series	料號 P/N	51H00369-XXM	文件編號 Doc NO.	GSD-00005575			製作 Initiator	李文騰 Wenteng_Lee
站別 STATION	Repair Center	作業名稱 Operation	M/B Repair Guide	發行日期 ISSUE DATE	2008/11/13	版本 REV:	AX03	備註 Remark	Q&A

Q&A

Q1. CPU Location ?

Q6.Samsung fashrom Location ?

Q2.USB Connector Location ?

Q7.Excalibur repair guide docmunt number ?

Q3.Syren Location ?

Q8.Check Bat_ID_Detect component Location?

Q4.Battery connector Location ?

Q9.Check USB_ID main component Location?

Q5.Backlight Problem main component Location ?

Free Manuals Download Website

<http://myh66.com>

<http://usermanuals.us>

<http://www.somanuals.com>

<http://www.4manuals.cc>

<http://www.manual-lib.com>

<http://www.404manual.com>

<http://www.luxmanual.com>

<http://aubethermostatmanual.com>

Golf course search by state

<http://golfingnear.com>

Email search by domain

<http://emailbydomain.com>

Auto manuals search

<http://auto.somanuals.com>

TV manuals search

<http://tv.somanuals.com>