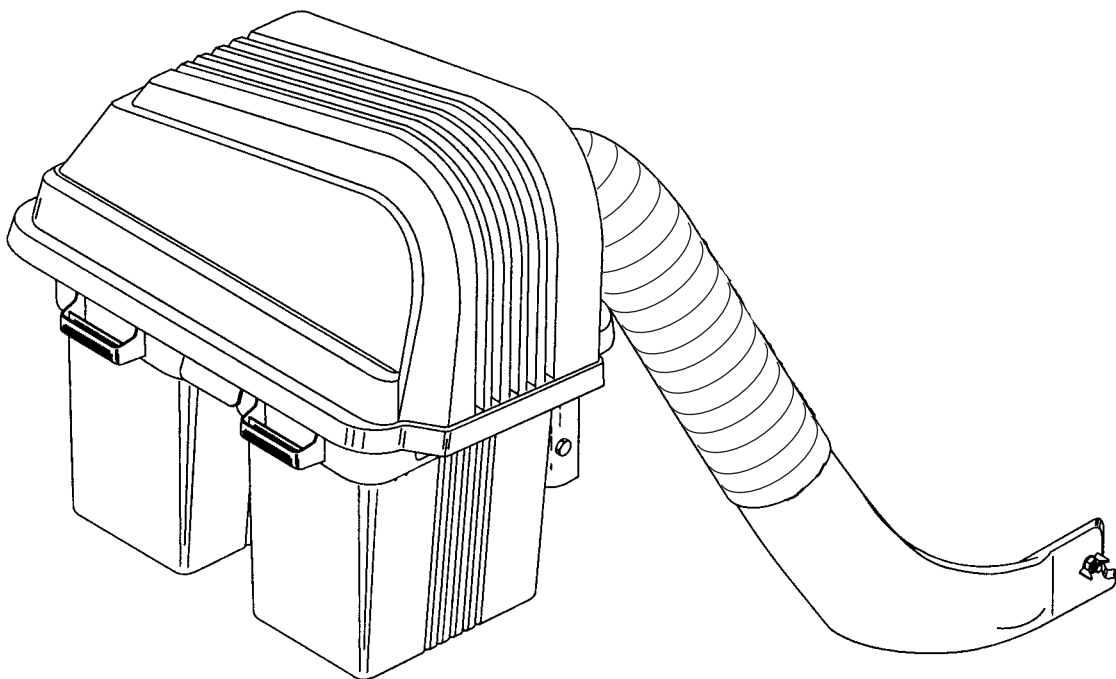


Operator And Parts Manual

For
38 Inch Consumer Z
Grass Catcher



Model:
110163 / CZ38

SAFETY RULES



SAFE OPERATION PRACTICES FOR RIDE-ON MOWERS



DANGER !

THIS CUTTING MACHINE IS CAPABLE OF AMPUTATING HANDS AND FEET AND THROWING OBJECTS. FAILURE TO OBSERVE THE FOLLOWING SAFETY INSTRUCTIONS COULD RESULT IN SERIOUS INJURY OR DEATH.

I. GENERAL OPERATION

- Read, understand and follow all instructions in the manual and on the machine before starting.
- Only allow responsible adults, who are familiar with the instructions, to operate the machine.
- Clear the area of objects such as rocks, stones, toys, wire etc., which could be picked up and thrown by the blades.
- Be sure the area is clear of all people and pets before mowing. Stop the machine if anyone enters the area.
- Never carry passengers or children even with blades off.
- Do not mow in reverse unless absolutely necessary. Always look down and behind before and while backing.
- Be aware of the mower discharge direction and do not direct it towards anyone. Do not operate the mower without either the entire grass catcher or the guard in place.
- Slow down before turning.
- Never leave a running machine unattended. Always turn off the blades, set the parking brake, stop the engine and remove the key before leaving the machine.
- Turn off blades when not mowing.
- Stop engine before removing grass catcher or unclogging chute.
- Mow only in daylight or good artificial light.
- Do not operate the machine while under the influence of alcohol or drugs.
- Watch out for traffic when operating near or crossing roadways.
- Use extra care when loading and unloading the machine onto a trailer or truck.
- Data indicates that operators, age 60 years and above, are involved in a large percentage of riding mower-related injuries. These

operators should evaluate their ability to operate the riding mower safely enough to protect themselves and others from serious injury.

- Keep machine free of grass, leaves or other debris buildup which can touch hot exhaust/engine parts and burn. Do not allow the mower deck to plow leaves or other debris which can cause buildup to occur. Clean any oil or fuel spillage before operating or storing the machine. Allow machine to cool before storage.

II. SLOPE OPERATION

Slopes are a major factor related to loss-of-control and tip-over accidents, which can result in severe injury or death. All slopes require extra caution. If you cannot back up the slope or if you feel uneasy on it, do not mow it.

DO:

- Mow up and down slopes (10° Max.), not across.
- Remove obstacles such as rocks, tree limbs, etc.
- Watch for holes, ruts, or bumps. Uneven terrain could overturn the machine. **Tall grass can hide obstacles.**
- Use slow speed. Choose a low speed so that you will not have to stop while on the slope.
- Use extra care with grass catchers or other attachments. These can change the stability of the machine.
- Keep all movement on the slopes **slow** and **gradual**. Do not make sudden changes in speed or direction.
- Avoid starting or stopping on a slope. If tires lose traction, disengage the blades and proceed slowly **straight** down the slope.

SAFETY RULES



SAFE OPERATION PRACTICES FOR RIDE-ON MOWERS



DO NOT:

- **Do not** turn on slopes unless necessary, and then, turn slowly and gradually downhill, if possible.
- **Do not** mow near drop-off, ditches, or embankments. The mower could suddenly turn over if a wheel is over the edge of a cliff or ditch, or if an edge caves in.
- **Do not** mow on wet grass. Reduced traction could cause sliding.
- **Do not** try to stabilize the machine by putting your foot on the ground.
- **Do not** use grass catcher on steep slopes.

III. CHILDREN

Tragic accidents can occur if the operator is not alert to the presence of children. Children are often attracted to the machine and the mowing activity. **Never** assume that children will remain where you last saw them.

- **NEVER allow children to operate the machine.**
- Keep children out of the mowing area and under the watchful care of another responsible adult.
- Be alert and turn off the machine if children enter the area.
- Before and when backing, look behind and **down** for small children.
- Never carry children. They may fall off and be seriously injured or interfere with safe machine operation.
- Use extra care when approaching blind corners, shrubs, trees, or other objects that may obscure vision.

IV. SERVICE

- The operation of any mower can result in foreign objects thrown into the eyes, which can result in severe eye damage. Always wear safety glasses or eye shields while operating your mower or performing any adjustments or repairs. We recommend a wide vision safety mask over spectacles or standard safety glasses.
- Use extra care in handling gasoline and other fuels. They are flammable and vapors are explosive.
 - Use only an approved container.
 - Never remove gas cap or add fuel with the engine running. Allow engine to cool before refueling. Do not smoke.
 - Never refuel the machine indoors.
 - Never store the machine or fuel container inside where there is an open flame, such as a water heater.
- Never run a machine inside a closed area.
- Keep nuts and bolts, especially blade attachment bolts, tight and keep equipment in good condition.
- Never tamper with safety devices. Check their proper operation regularly.
- Keep machine free of grass, leaves, or other debris buildup. Clean oil or fuel spillage. Allow machine to cool before storing.
- Stop and inspect the equipment if you strike an object. Repair, if necessary, before restarting.
- Never make adjustments or repairs with the engine running.
- Grass catcher components are subject to wear, damage, and deterioration, which could expose moving parts or allow objects to be thrown. Frequently check components and replace with manufacturer's recommended parts, when necessary.
- Mower blades are sharp and can cut. Wrap the blade(s) or wear gloves, and use extra caution when servicing them.
- Check brake operation frequently. Adjust and service as shown in the Operator's manual.

SAFETY RULES



SAFE OPERATION PRACTICES FOR RIDE-ON MOWERS



- **NEVER allow children to operate the machine.**
- Be sure the area is clear of other people before mowing. Stop machine if anyone enters the area.
- Never carry passengers or children even with the blades off.
- Do not drive in reverse unless absolutely necessary. Always look down and behind before and while backing.
- Never carry children. They may fall off and be seriously injured or interfere with safe machine operation.
- Keep children out of the mowing area and under the watchful care of another responsible adult.
- Be alert and turn machine off if children enter the area.
- Before and when backing, look behind and down for small children.
- Mow up and down slopes (10° Max), not across.
- Remove obstacles such as rocks, tree limbs, etc.
- Watch for holes, ruts, or bumps. Uneven terrain could overturn the machine. Tall grass can hide obstacles.
- Use a slow speed while on slope or hill.
- Avoid starting or stopping on a slope. If tires lose traction, disengage the blades and proceed slowly straight down the slope.
- If machine stops while going uphill, disengage blades, shift into reverse and back down slowly.
- Do not turn on slopes unless necessary, and then, turn slowly and gradually downhill, if possible.



CAUTION

Look for this symbol to point out important safety precautions. It means **CAUTION!!! BECOME ALERT!!! YOUR SAFETY IS INVOLVED.**



CAUTION

In order to prevent accidental starting when setting up, transporting, adjusting or making repairs, always disconnect spark plug wire and place wire where it cannot contact spark plug.



WARNING

DO NOT tow any trailers, etc. with this mower. They may jackknife or over turn causing damage to the mower and possibly serious injury to the operator.



WARNING

Engine exhaust, some of its constituents, and certain vehicle components contain or emit chemicals known to the State of California to cause cancer and birth defects or other reproductive harm.



WARNING

Battery posts, terminals and related accessories contain lead and lead compounds, chemicals known to the State of California to cause cancer and birth defects or other reproductive harm. Wash hands after handling.

CONGRATULATIONS on your purchase of a new Grass Catcher. It has been designed, engineered and manufactured to give you the best possible dependability and performance.

Should you experience any problem you cannot easily remedy, please contact your nearest authorized service center/ department. They have competent, well-trained technicians and the proper tools to service or repair this mower.

Please read and retain this manual. The instructions will enable you to assemble and maintain your Grass Catcher properly. Always observe the "SAFETY RULES".

NOTE: To make debris disposal easier 30 gallon (3.0 mil) plastic trash bags may be inserted in plastic grass containers.

KNOW YOUR GRASS CATCHER

READ THIS OPERATION MANUAL AND SAFETY RULES BEFORE ASSEMBLING OR OPERATING YOUR GRASS CATCHER. Compare the illustrations with the carton contents to familiarize yourself with the parts before starting the assembly. Study the operating instructions and safety precautions thoroughly to insure proper functioning of your Grass Catcher and to prevent injury to yourself and others. Save this manual for future reference.



WARNING

The operation of any mower can result in foreign objects thrown into the eyes, which can result in severe eye damage. **ALWAYS wear safety glasses or eye shields before starting your mower and while mowing. We recommend a wide vision safety mask for over the spectacles or standard safety glasses.**

TABLE OF CONTENTS

SAFETY RULES	2-4	CUSTOMER RESPONSIBILITIES	13
CARTON CONTENTS	6	STORAGE	13
ASSEMBLY	7 - 11	PARTS	14 - 15
OPERATION	12		

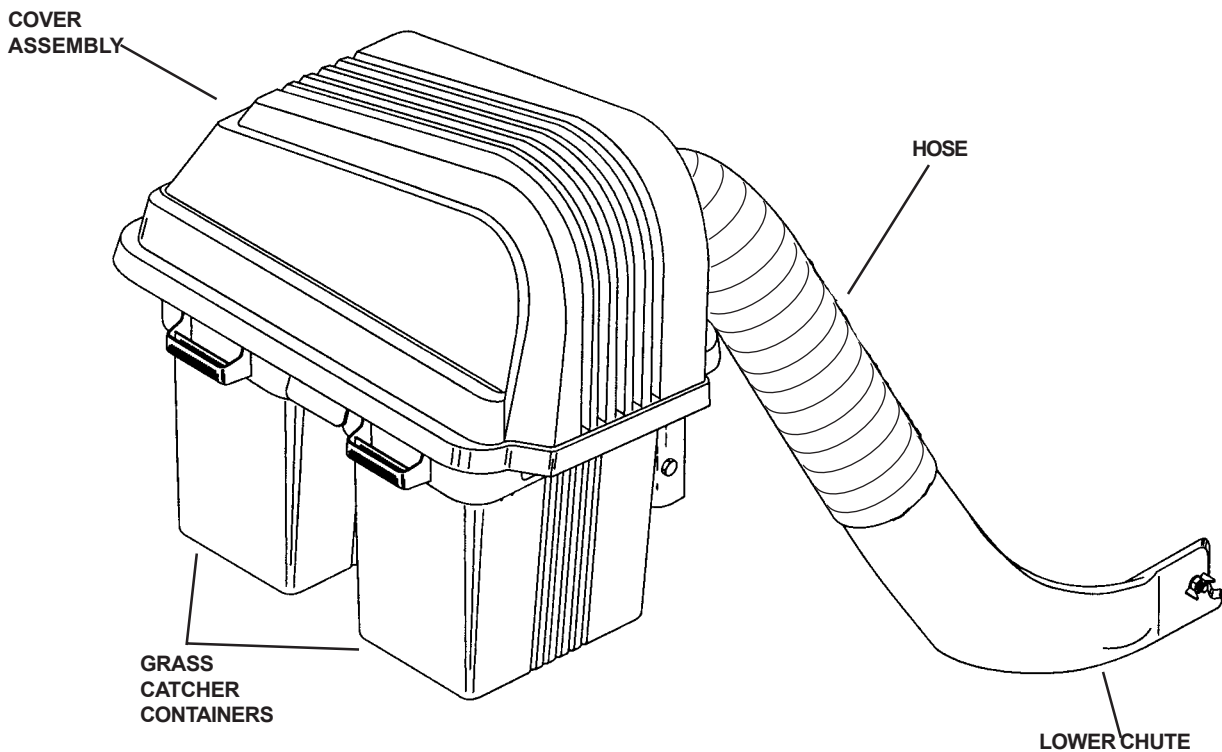
UNPACKING INSTRUCTIONS

- Remove all parts and packing materials from carton.
- Check carton contents against list. Be sure all parts are there.

TOOLS REQUIRED FOR ASSEMBLY

- (2) 9/16" Wrenches
- (2) 1/2" Wrenches
- (2) 7/16" Wrenches
- (1) 9/16" Socket & Ratchet
- Standard Screw Driver
- Ft/Lbs Torque Wrench

PARTS IDENTIFICATION



CARTON CONTENTS:

- | | |
|-----------------------|--------------------|
| 2 - Container Tops | 1 - Cover Assembly |
| 2 - Container Bottoms | 1 - Inlet |
| 1 - Hose | 1 - Bag of Parts |
| 1 - Lower Chute | 1 - Owner's Manual |
| 2 - High Lift Blades | |

NOTE: When right hand (R.H.) and left hand (L.H.) are mentioned in this manual, it means when you are seated on the mower in the operator's position.



CAUTION

BEFORE ASSEMBLING GRASS CATCHER TO MOWER:

- Set parking brake.
- Place motion control levers in "NEUTRAL " position.
- Turn ignition key "OFF" and remove key.
- Make sure the blades and all moving parts have completely stopped.
- Disconnect spark plug and place wire where it cannot come in contact with plug.

ASSEMBLY

1 REMOVAL OF UTILITY BOX, AND REAR GUARD (See Figure 1.)

NOTE: Before mounting your new bagger you will have to remove the mower's utility box and rear guard.

1. Remove the hairpins and clevis pins that secure the utility box to the unit (all four corners).
2. Using a 1/2" wrench, remove the six bolts that secure the rear bracket to the unit.

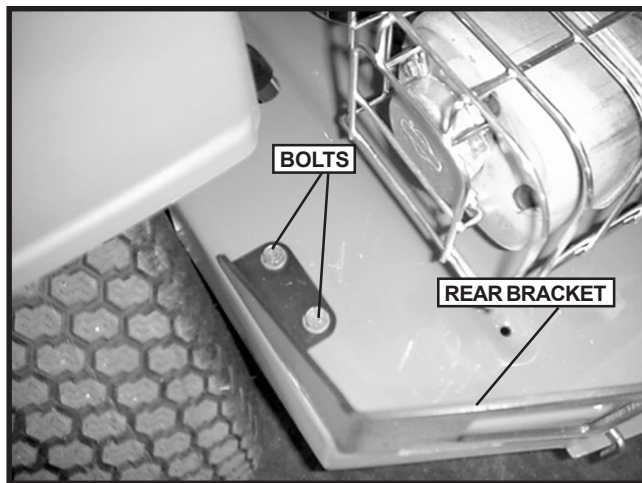


FIGURE 1

2 MOWER DECK BAFFLE (See Figure 2.)

1. Raise your mower deck to its highest position.
2. Install the hex bolt, and locknut through mower deck baffle and tighten securely.

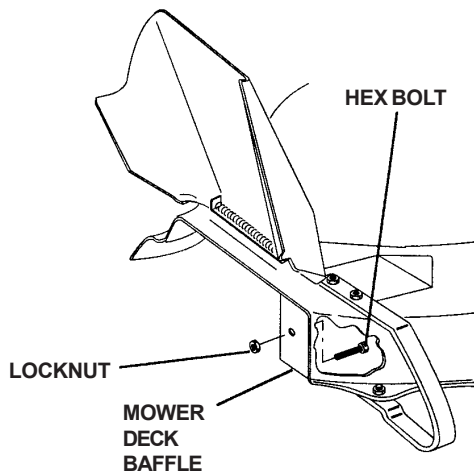


FIGURE 2

3 INSTALLATION OF THE REAR GUARD, PLATE AND HANGER (See Figure 3A and 3B.)

1. Using the 6 bolts removed from the rear bracket, install the new rear bracket (Part No. 110485).
2. Place the hanger over the tab on the plate. See Figure 3A.

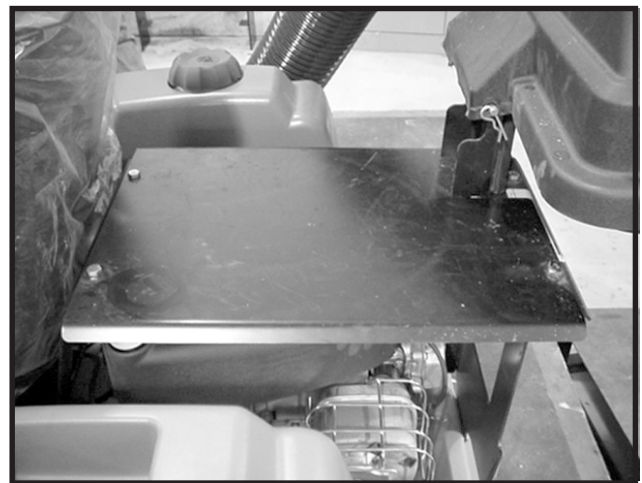


FIGURE 3A

3. Using the four bolts (HCS 3/8 x 3/4) and nyloc nuts (3/8), install the plate to the rear bracket and front bracket.
4. Secure the hanger to the rear bracket with two bolts (HCS 5/16 x 3/4) and nyloc nuts (5/16). See Figure 3B.



FIGURE 3B

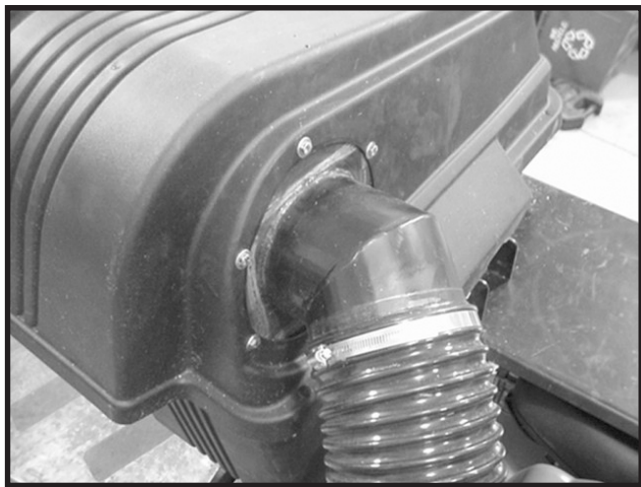
ASSEMBLY

4 INSTALLATION OF THE INLET (See Figure 4A and 4B)

1. Place the cover assembly upside down on a table. Secure the six bolts (HCS 1/4 x 3/4), nyloc nuts (1/4) and twelve flat washers (1/4).
2. Place one washer on each bolt.
3. Place the inlet in the cover and direct it out of the large hole on the front side of the cover.
4. Place the bolt and washer thru each of the six holes. See Figure 4.
5. Place the other six washer and nuts on the bolts and tighten.



INSIDE COVER
FIGURE 4A



OUTSIDE COVER
FIGURE 4B

5 MOUNTING COVER ASSEMBLY TO SUPPORT ASSEMBLY (See Figure 5)

NOTE: For ease of assembly, you may wish to obtain the assistance of another person for mounting cover assembly to mower.

1. Position cover assembly on ground behind mower as shown.
2. Lift and rotate cover to align cover brackets with support assembly.
3. Slide cover assembly down onto the support assembly.

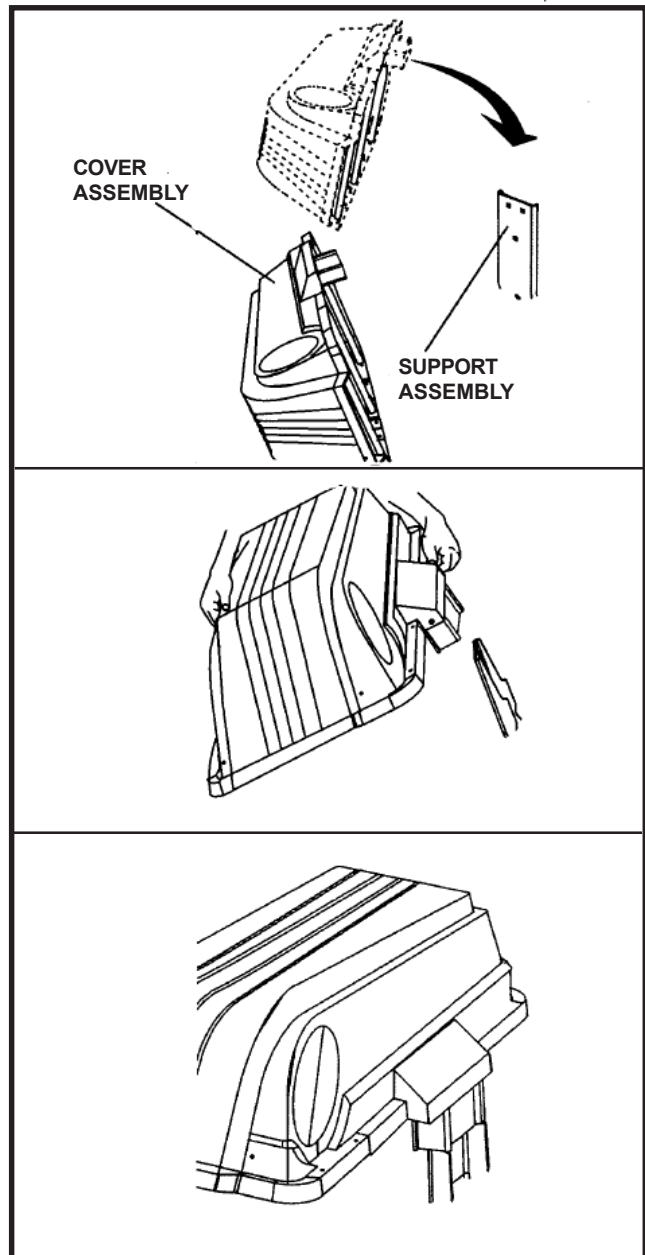


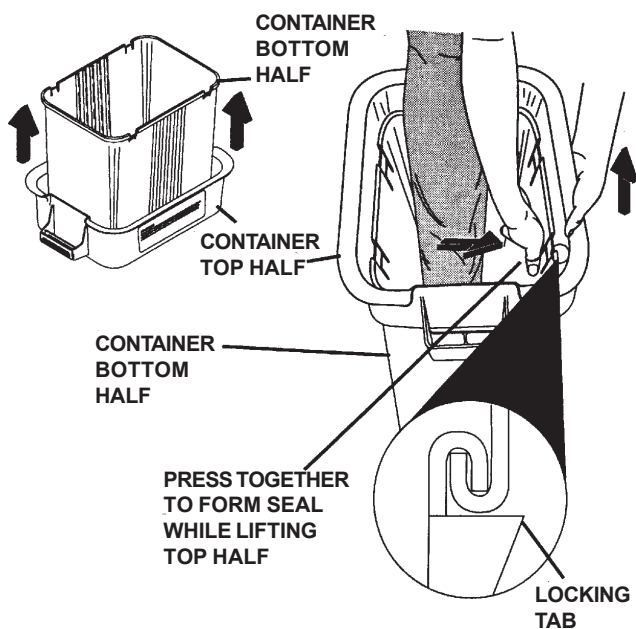
FIGURE 5

ASSEMBLY

6 CONTAINER ASSEMBLY (See Figure 6)

1. Place bottom half inside of top half, as shown.
2. Place one foot inside bottom half and lift top half to meet bottom half.
3. Press halves tightly together while lifting top to lock into place as shown.

IMPORTANT: BEFORE LOCKING THE TABS, HOOKED EDGES ON BOTH HALVES MUST OVERLAP TO FORM SEAL AS SHOWN IN IN-SET.



ASSEMBLY CHECK: Squeeze sides of lower half of container and check that there is no gap between upper and lower halves. If a gap appears, unlock tabs to separate container halves and repeat instructions above.

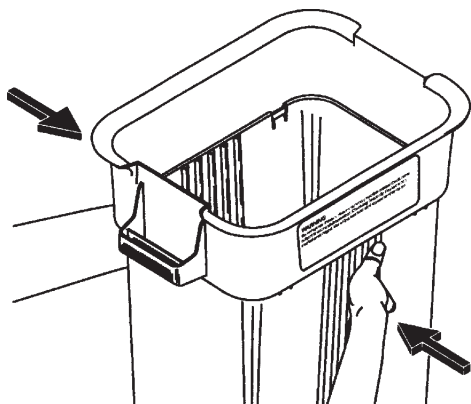


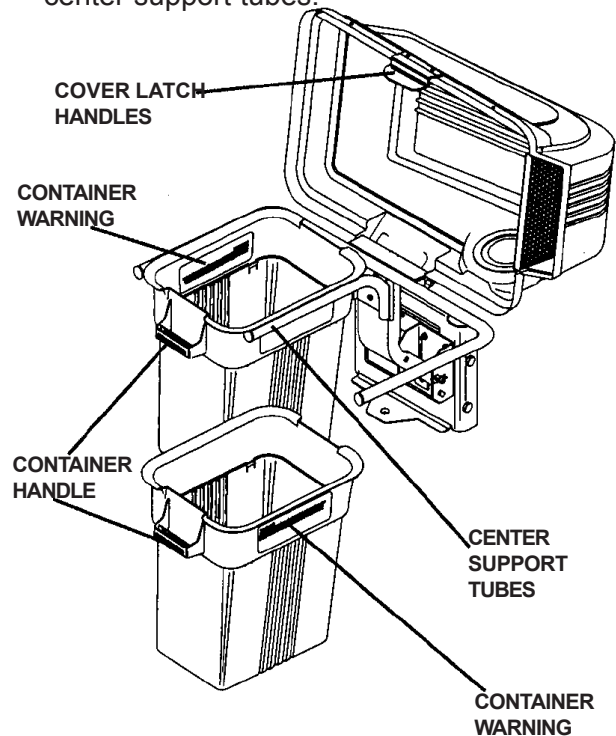
FIGURE 6

7 CONTAINER MOUNTING (See Figure 7)

1. Install one container to left side first with warning to the outside of unit. Install other container to the right.

NOTE: Right container should always overlap left container at center supports.

2. Close cover and lock latch handles over center support tubes.



WARNING

DO NOT operate mower unless container is properly installed. Container is subject to wear and deterioration, check containers frequently, replace when cracked or damaged. Use only a recommended replacement container.

FIGURE 7

ASSEMBLY

8 LOWER CHUTE (See Figure 8)

1. Raise and hold deflector shield in upright position.
2. Place slot in lower chute over tab on mower deck and position lower chute over deck opening as shown.
3. Hook rear latch into flange hole on back of mower deck.
4. Hook front latch into tab hole on front of mower deck.



CAUTION

Before raising deflector shield, turn mower engine off. **DO NOT** remove deflector shield from mower. Raise and hold shield when attaching lower chute and allow it to rest on chute while in operation.

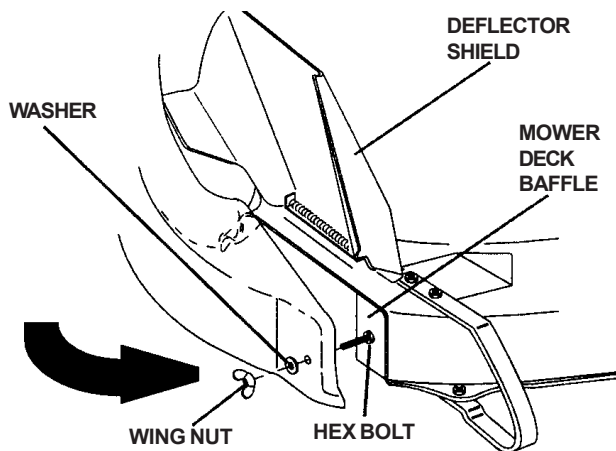


FIGURE 8

9 HOSE (See Figures 9A and 9B)

1. Place both clamps over the hose.
2. Slide the hose over the inlet at the top end.
3. Slide the hose over the lower chute inlet.
4. Remove any twists in the hose by rotating it at the top or bottom end.
5. Tighten the clamps.

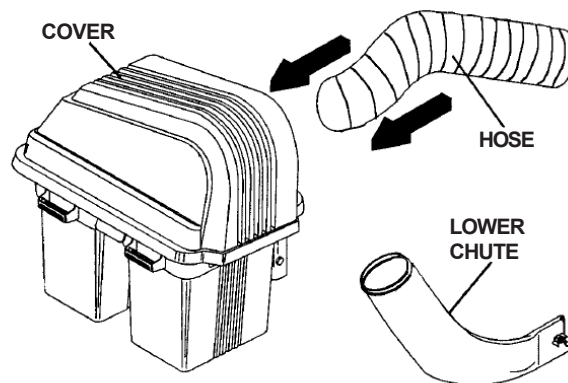


FIGURE 9A

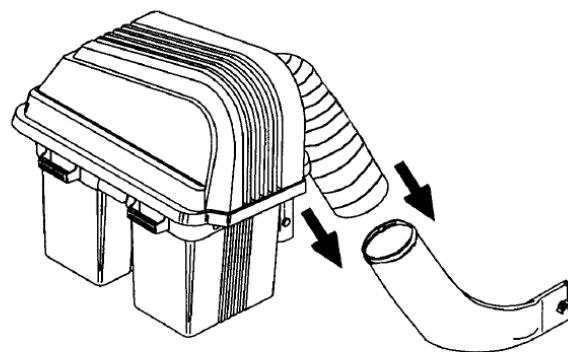


FIGURE 9B

ASSEMBLY

10 BLADE REPLACEMENT

Tools Needed:

- 9/16" Socket and Ratchet
- Ft/Lbs Torque Wrench

The mower comes from the factory with a low lift blade. The blades need to be replaced with the high lift blades provided in kit. Failure to do this may result in poor performance of the collection system.

1. Lift up the front of the mower and secure with jack stands.
2. Using a 9/16" socket and ratchet, remove the blade bolts and blades.
3. Reinstall the new high lift blades and bolts.
4. Torque the blade bolts to 35 ft/lbs.

11 LEVEL MOWER DECK

Be sure deck is properly leveled for best mower performance. See your mower operator's manual for instructions.

OPERATION

TIPS FOR IMPROVED BAGGING OPERATION:

Follow the mower operation instructions in your mower operator's manual.

When operating your grass catcher on a lawn where grass and leaf bagging equipment has not been used, you are picking up thatch and debris that has accumulated for long periods of time. The amount collected and the total time of operation may be greater than you will experience with regular use of your grass catcher.

- Always run throttle at full speed when bagging.
- Select a speed low enough to give good mower cutting performance, good quality cut and good bagging performance.

NOTE: It may be necessary to overlap width of cut to suit your conditions.

- If grass is extremely tall, it should be mowed twice. The first time relatively high, the second time to desired height.
- Use left hand side of mower for trimming.
- Plastic trash bags (3.0 mil, 30 gallon) can be inserted inside grass catcher containers for ease of debris disposal. To remove the plastic trash bags when full:
 - a. Disengage blades, shift into neutral, engage the parking brake and stop the engine.
 - b. Unlatch and raise cover.
 - c. Remove one container at a time by grasping container handles and pulling toward the rear, off of the tube rails.
 - d. With the container resting on the ground, close and secure the top of the plastic lawn bag.
 - e. Tip the container on its side and slide the filled bag from the container.
 - f. Install a new plastic lawn bag with the edges of the bag draped over upper lip of the Container (for replacement bags refer to REPLACEMENT PARTS).
 - g. Repeat for other container.

- h. Reinstall containers making sure right container overlaps left container at center supports.
 - i. Close cover and secure latches over center support tubes.
- Avoid cutting wet grass or in the morning while the dew is still heavy. Grass clippings collected under these conditions tend to be sticky and adhere to the walls of the flow path causing clogging.
 - If the grass catcher fails to pick up cut grass or leaves, it is an indication that clogging has occurred in the system or that the grass catcher containers are full.
 - a. Disengage blades, place motion control levers in neutral position.
 - Unlatch and raise cover.
 - Slide out containers and dispose of clippings.
 - Replace containers, close cover, and latch.
 - b. Unlatch chutes and check for clogging.
 - Remove all debris in chute.
 - Reassemble and latch chutes.



CAUTION

- **DO NOT operate mower with grass catcher partially installed.**
- **Disengage blades and stop engine before leaving mower seat to empty containers, unclogging chutes, etc.**
- **Close cover before starting.**
- **Disengage mower blades when crossing driveways or gravel surfaces and other areas where thrown objects could be a hazard.**
- **DO NOT attempt to vacuum up cans or other potentially hazardous projectiles.**

CUSTOMER RESPONSIBILITIES

GENERAL RECOMMENDATIONS:

Always observe safety rules when performing any maintenance.

- Before each use check for loose fasteners.
- Clean unit thoroughly after each use.

BLADE CARE:

For best results mower blades must be kept sharp. Replace bent or damaged blades.

- See BLADE CARE instructions in your mower operator's manual.

STORAGE:

When grass catcher is to be stored for a period of time, clean it thoroughly, remove all dirt, grass, leaves, etc. Store in a clean, dry place.



CAUTION

BEFORE PERFORMING ANY MAINTENANCE, SERVICE OR ADJUSTMENTS:

- Set parking brake.
- Place motion control levers in "NEUTRAL" position.
- Place clutch control in "DISENGAGED" position.
- Turn ignition key to "OFF" position.
- Make sure blades and all moving parts have completely stopped.
- Disconnect spark plug wire(s) from spark plug(s) and place wire where it cannot come in contact with plug.



CAUTION

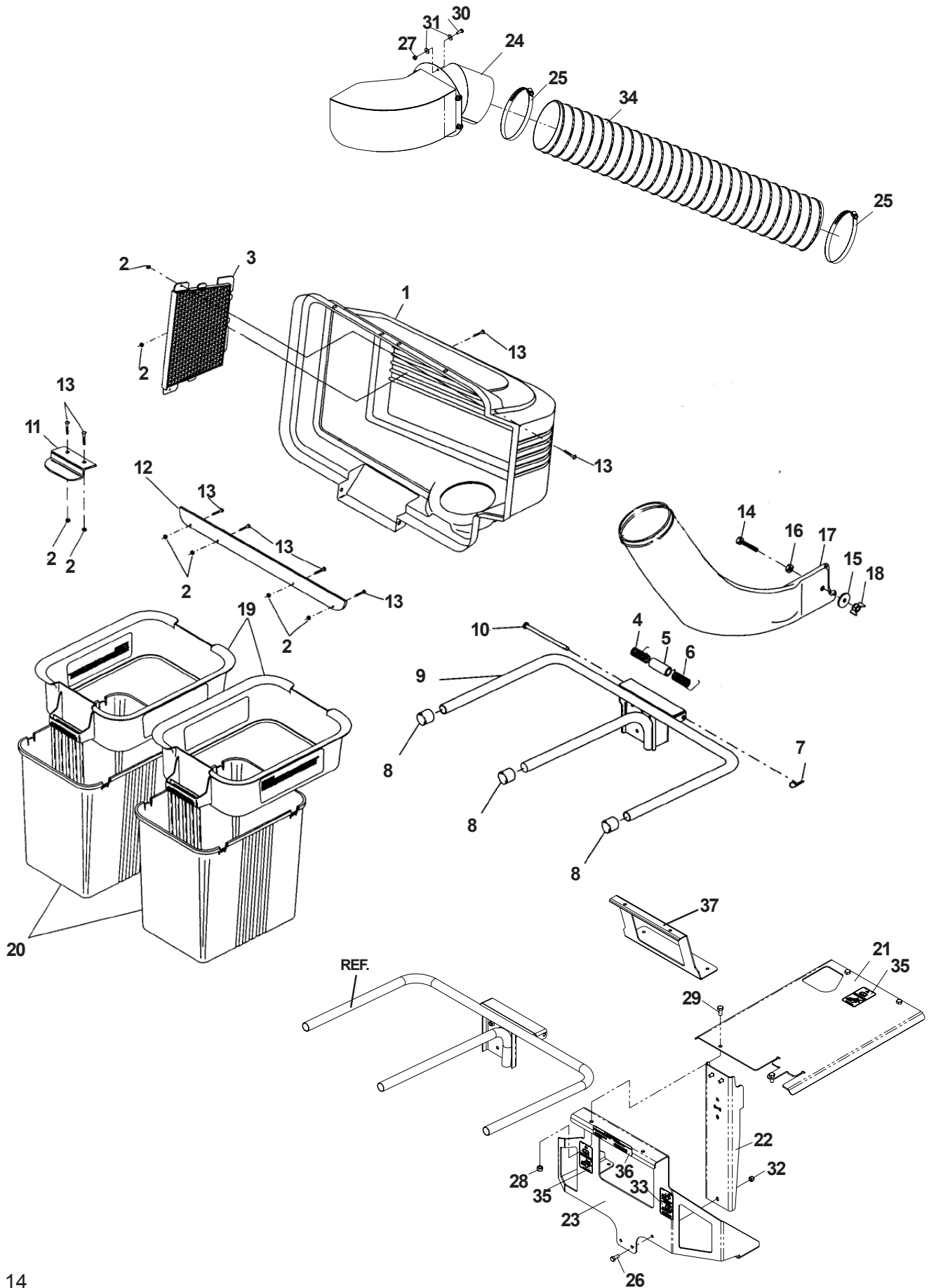
Do not leave grass in bagger containers. Empty containers after each use and before storing. Failure to do so may result in spontaneous combustion which could develop into a fire.



CAUTION

Grass catcher components are subject to wear, damage and deterioration, which could expose moving parts or allow objects to be thrown. Frequently check components and replace with manufacturer's recommended parts, when necessary.

PARTS



PARTS

ITEM	PART NO.	QTY.	DESCRIPTION
1	539111139	1	COVER ASSEMBLY, COMPLETE (INCLUDES ITEM 2 THRU 13)
2	532063180	10	NUT, 3/10-24, CROWN LOCK
3	532127533	1	SCREEN, COVER
4	532132796	1	SPRING, COVER, L.H.
5	532133235	1	SPACER, COVER
6	532132983	1	SPRING, COVER R.H.
7	532124670	1	SPRING, RETAINER
8	532174083	3	PLUG, TUBING END
9	532179746	1	BAGGER, FRAME
10	532128600	1	PIN, HINGE
11	532130895	1	LATCH HANDLE, COVER
12	532155042	1	STRIP, REINFORCEMENT
13	871161010	10	SCREW #10-24 X 5/8
14	874930620	1	BOLT, 3/8-16 X 1 1/4
15	819131616	1	WASHER, 13/32
16	873750600	1	LOCKNUT, 3/8-16
17	539111005	1	LOWER CHUTE
18	532135651	1	WINGNUT, 3/8-16
19	532129585	1	CONTAINER, TOP
20	532129586	1	CONTAINER, BOTTOM
21	539111003	1	PLATE W/DECAL
22	539110997	1	HANGER
23	539109930	1	REAR BRACKET W/DECALS
24	539110992	1	INLET
25	539097076	2	HOSE CLAMP, 6" TO 7"
26	539976934	2	HCS, 5/16-18 X 3/4
27	539976978	6	NUT, 1/4-20, NYLOC
28	539976979	4	NUT, 3/8-16, NYLOC
29	539990134	4	HCS, 3/8-16 X 3/4
30	539990580	6	HCS, 1/4-20 X 3/4
31	539990598	12	WASHER, 1/4
32	539990717	2	NUT, 5/16-18, NYLOC
33	539109929	1	DECAL, PAYLOAD/GASOLINE
34	539110994	1	HOSE
35	539109927	2	DECAL, UTILITY BOX WARNING
36	539109928	1	DECAL, UTILITY BOX PAYLOAD
37	539110052	1	FRONT BRACKET
	EHP#138497	2	HIGH LIFT BLADE (NOT SHOWN)
	539976988	4	HAIRPIN (NOT SHOWN)
	539977703	4	CLEVIS PIN (NOT SHOWN)

HTC
401 N. Commerce St.
Beatrice, NE 68310

Free Manuals Download Website

<http://myh66.com>

<http://usermanuals.us>

<http://www.somanuals.com>

<http://www.4manuals.cc>

<http://www.manual-lib.com>

<http://www.404manual.com>

<http://www.luxmanual.com>

<http://aubethermostatmanual.com>

Golf course search by state

<http://golfingnear.com>

Email search by domain

<http://emailbydomain.com>

Auto manuals search

<http://auto.somanuals.com>

TV manuals search

<http://tv.somanuals.com>