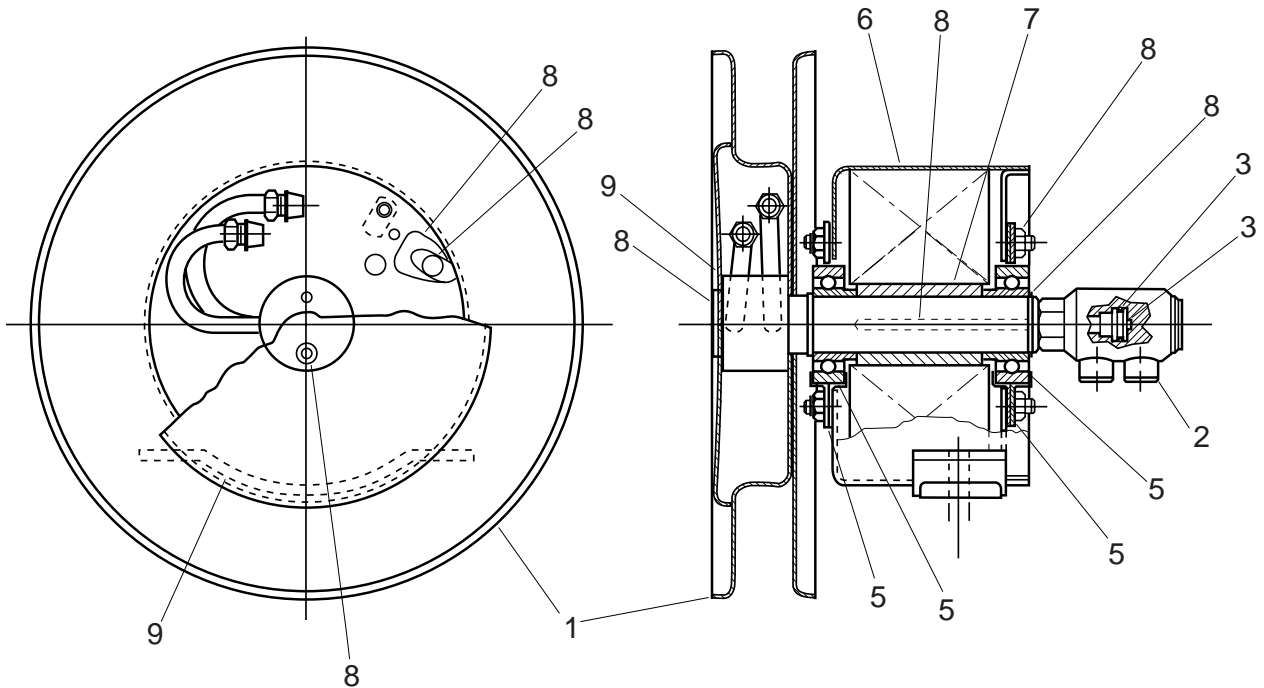




**PARTS LIST
R-35 Dual Hose Reel**



ITEM	PART NUMBER	DESCRIPTION	QTY.
1	016365	Manifold and Spool Assembly – 12.00 RH <i>Includes manifold and spool assembly, cover, hose saddle and fastening hardware</i>	1
1	016366	Manifold and Spool Assembly – 12.00 LH	1
1	016367	Manifold and Spool Assembly – 15.00 RH	1
1	016368	Manifold and Spool Assembly – 15.00 LH	1
2	112207	Swivel Joint Assembly	1
3	016369	Center Tube Assembly <i>Includes center tube and two (2) O-ring seals</i>	1
4	015570	Seal Kit <i>Includes O-ring seals, back-up rings, retaining rings, quad seals, and dust seals</i>	1
5	016370	Bearing Kit <i>Includes bearing and bearing housing</i>	1
6	016432	Spring Assembly – RH	1
6	016433	Spring Assembly – LH	1
7	011277	Spring Hub Assembly	1
8	016371	Hardware Kit <i>Includes key, retaining ring, hose saddle, (6) .31-18 ESNA lock nuts, (2) .25-20 x .38 button hd. cap screws, (1) .25-20 x 1.75 hex hd. cap screw, (1) lockwasher</i>	1
9	016434	Cover	1



GLEASON REEL CORP.
P.O. Box 26 • 600 S. Clark St.
Mayville, WI 53050
Phone: 920-387-4120
Fax: 920-387-4189

Free Manuals Download Website

<http://myh66.com>

<http://usermanuals.us>

<http://www.somanuals.com>

<http://www.4manuals.cc>

<http://www.manual-lib.com>

<http://www.404manual.com>

<http://www.luxmanual.com>

<http://aubethermostatmanual.com>

Golf course search by state

<http://golfingnear.com>

Email search by domain

<http://emailbydomain.com>

Auto manuals search

<http://auto.somanuals.com>

TV manuals search

<http://tv.somanuals.com>