

Model 89025

Please refer to modular category #350 when arranging product for modular display.

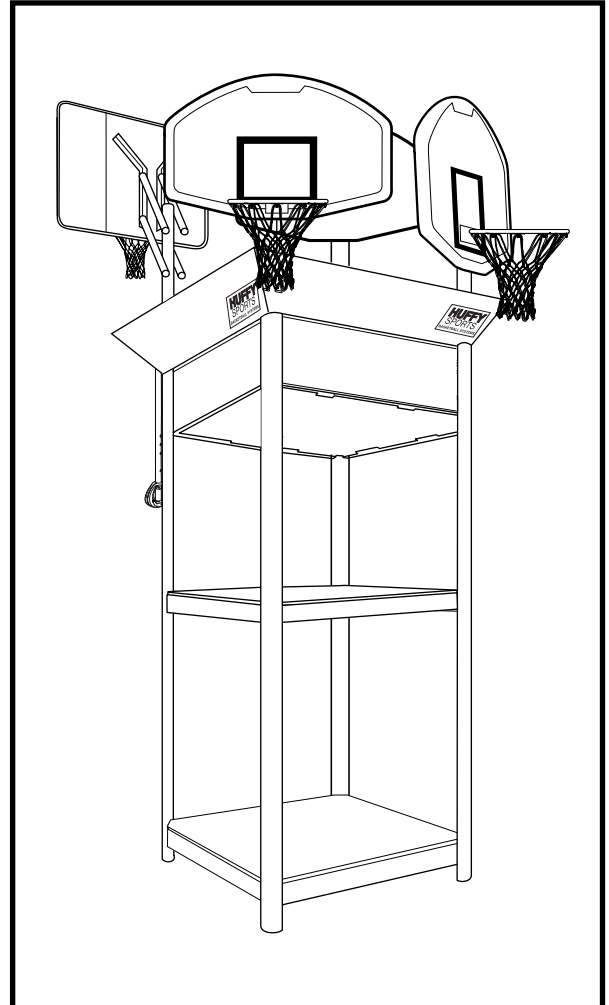
! SAFETY INSTRUCTIONS !

FAILURE TO FOLLOW THESE SAFETY INSTRUCTIONS MAY RESULT IN SERIOUS INJURY, PROPERTY DAMAGE AND WILL VOID WARRANTY.
This unit is intended for display purposes only and should not be used for play.

To ensure safety, do not attempt to assemble this system without following the instructions carefully. Check entire box and inside all packing material for parts. Before beginning assembly, read the instructions and identify parts in this document. Proper and complete assembly, use and supervision is essential for proper operation and to reduce the risk of accident or injury. A high probability of serious injury exists if this system is not installed, maintained, and operated properly.

- During assembly, if using a ladder use extreme caution. Two people are recommended for this operation.
- If technical assistance is required, contact Huff Sports' Sample and Display Technician.
- Serious injury could occur if teeth/face come in contact with backboard, net or rim.
- Display recommended for 3" (7.6 cm) or 3-1/2" (9 cm) Round or 4" (10 cm) Square poles only.
- All instructions and warnings MUST accompany any display item that is sold.

*Most injuries are caused by misuse and/or not following instructions.
Use caution when installing this unit.*



REQUIRED TOOLS AND MATERIALS:

- 2 People
- Wrenches: (Two each) 7/16", 1/2", 9/16", and 3/4" or Pliers
- Phillips Screwdriver
- 2 Step Ladders, 8 ft. (2.4 m)

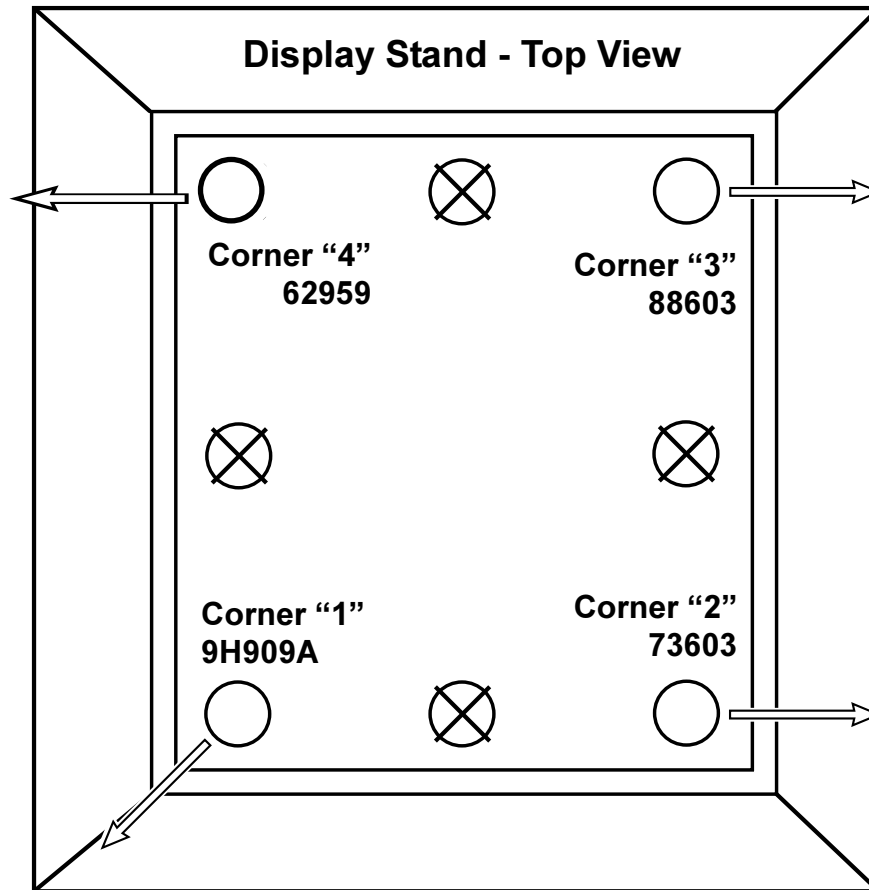
IMPORTANT!

We appreciate your purchasing one of our many fine products. We are sure that you will be very satisfied with your selection. Although great care and effort have been taken, problems may occur. To ensure prompt and correct handling of any problems, or to answer any questions, please contact the Sample and Display Technician at 414-820-3440.

Internet Address: <http://www.huffysports.com>

1.

Install display boards in the marked locations. Each mounting location consists of a mounting pole stub with the following dimensions: Height = 8", O.D. = 3 3/8", I.D. = 3 1/8" (arrows indicate direction the board is facing).

**2.**

Display boards will be mounted as follows:

Corner Location 1: 9H909A

- 44" SFA Board #909
- Hoop Time Logo
- Black Slam Jam Goal
- Exacta- Height Elevator System

Corner Location 2: 73603

- 44" Fan Recycled Board
- Zone Attack Logo
- Black Slam Jam Goal
- Easyglide Elevator System

Corner Location 3: 88603

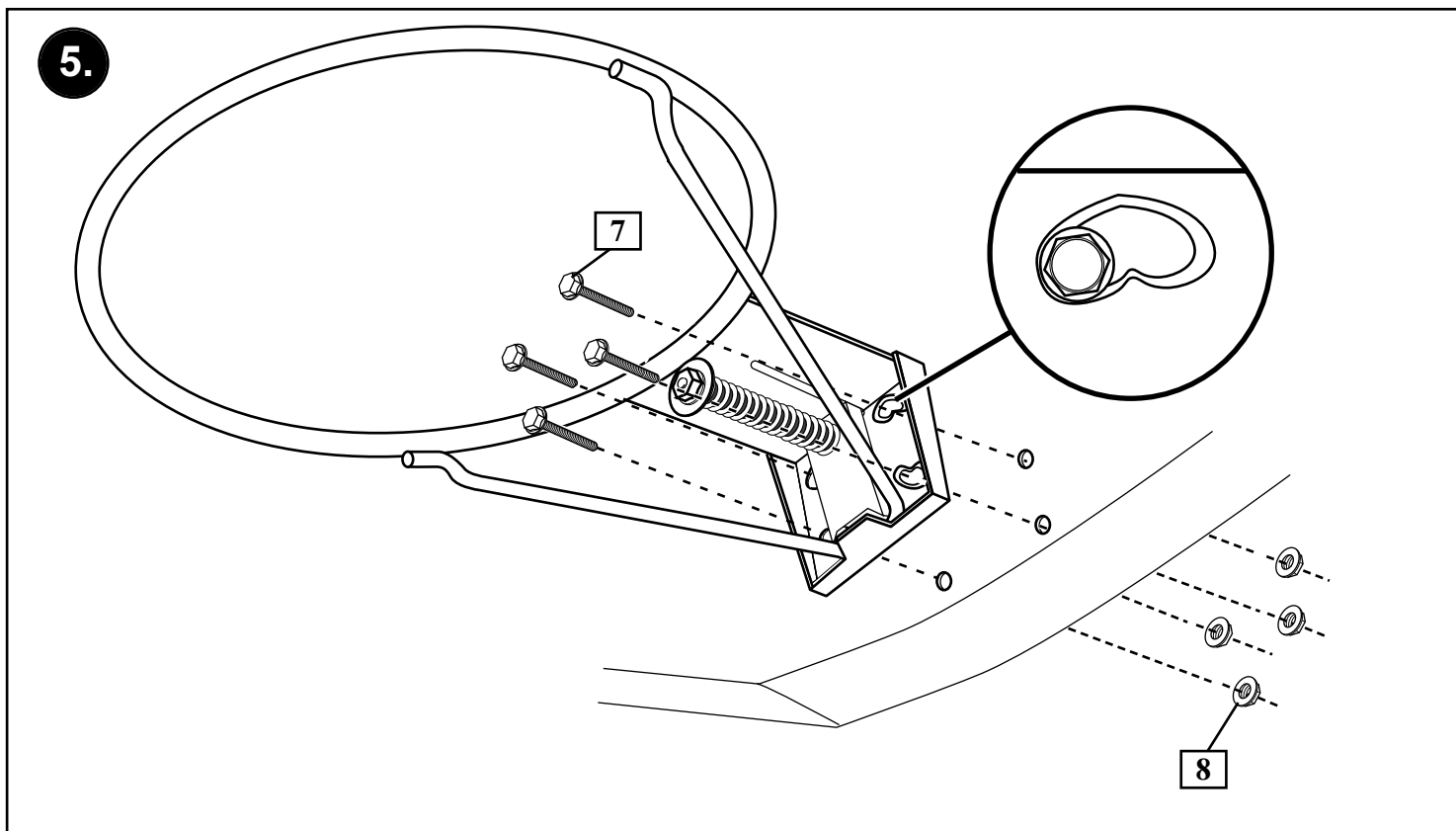
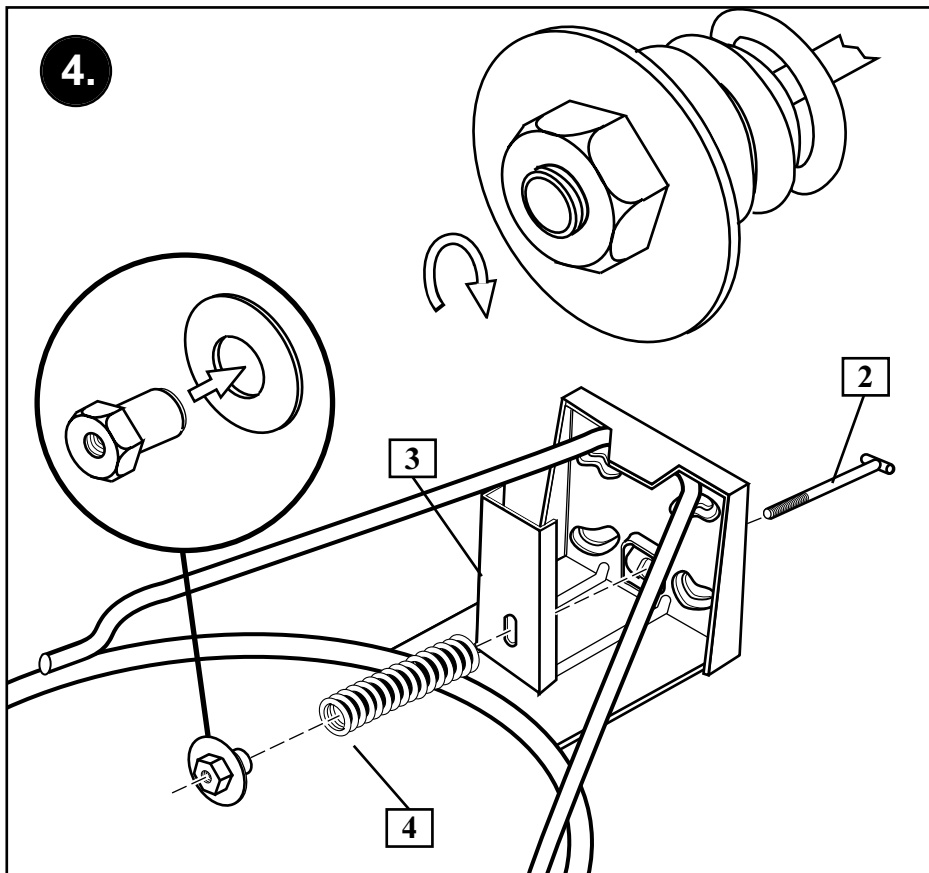
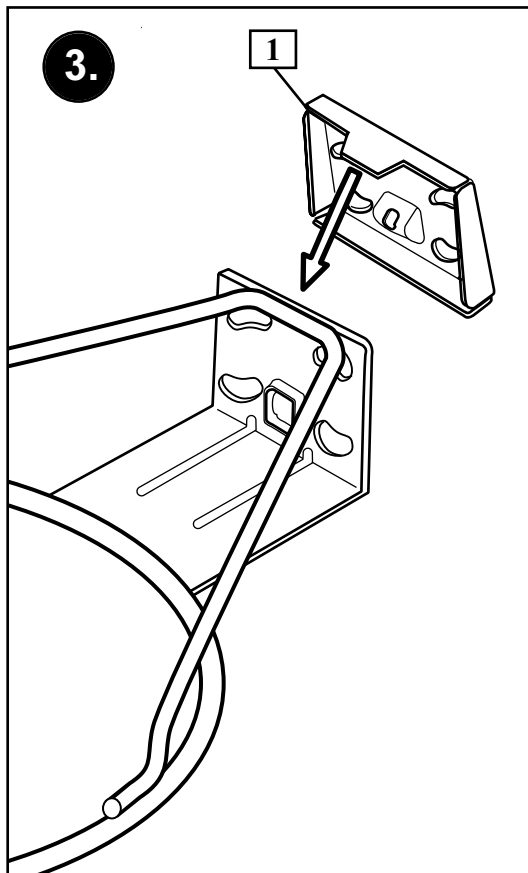
- 44" Fan Recycled Board
- Zone Attack Logo
- Black Standard Goal
- Exacta- Height Elevator System

Corner Location 4: 62959

- 40" Fan Recycled Board
- Street Heat Logo
- Black Standard Goal
- Extension Arm

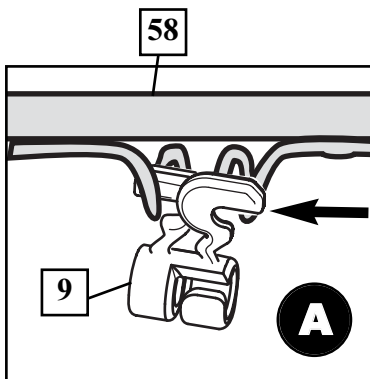
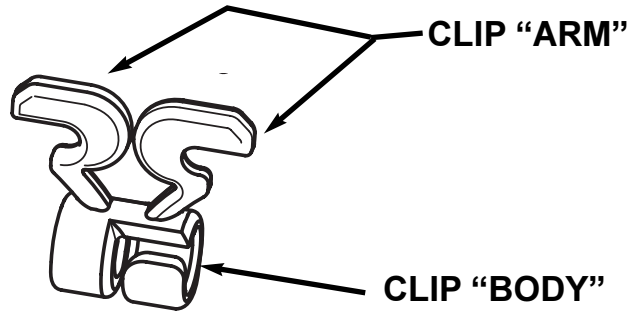
RIM ASSEMBLY - Corner Locations 1 and 2

Assemble rims as shown below.

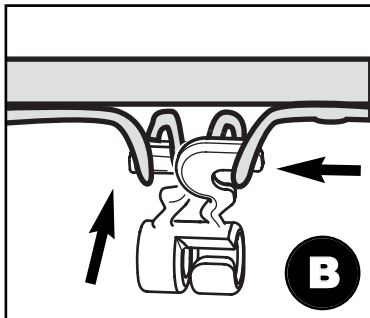


6. Install net clips.

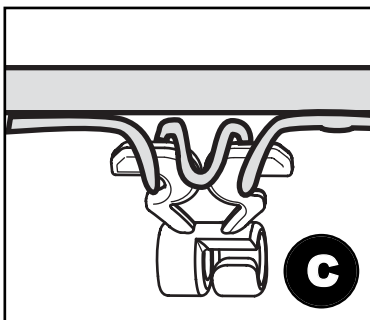
! WARNING: Use of this product without proper installation of net clips, or when all net clips are not present could result in bodily harm. Be sure to follow directions carefully.



Insert one "arm" of clip into ram as shown. Twist "body" of clip slightly so that second "arm" slides over the top of the first "arm" as shown. Push in direction indicated by arrows.



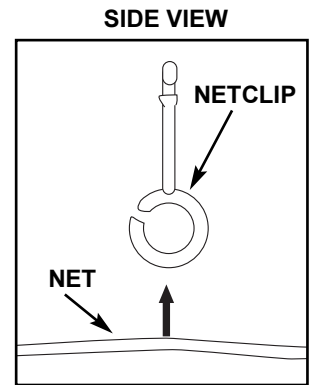
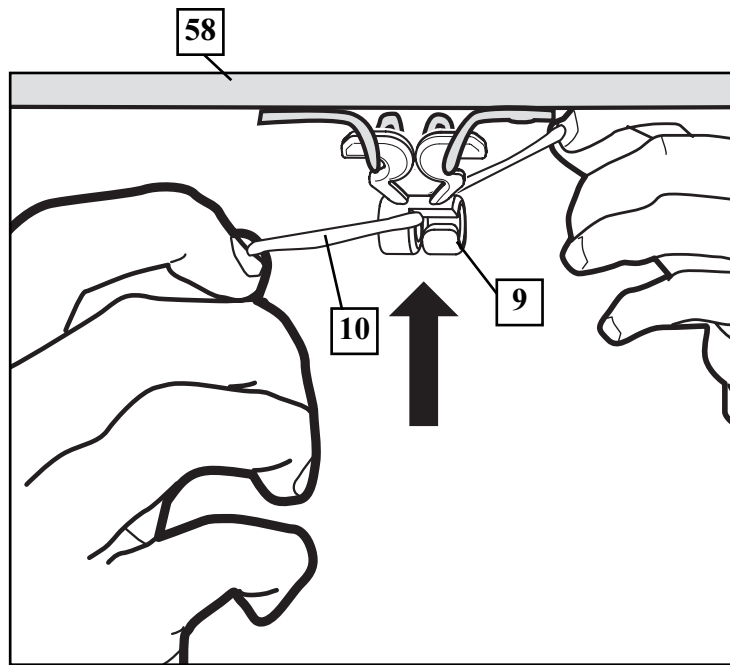
Push second "arm" back and into ram as shown.



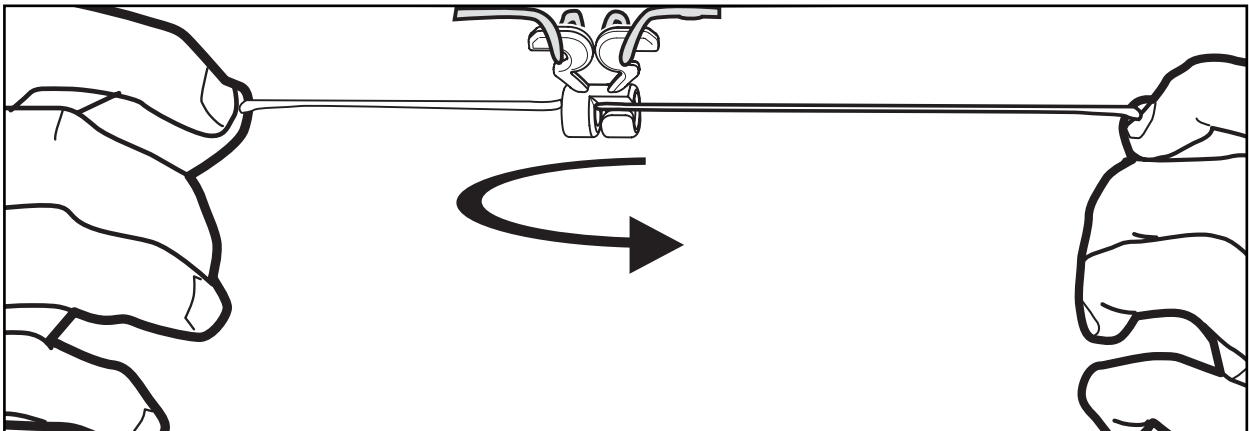
Twist "body" of clip slightly again to spread "arms" of clip. Clip "arms" must be flat and touching edge to edge as shown, not overlapping.

NET INSTALLATION

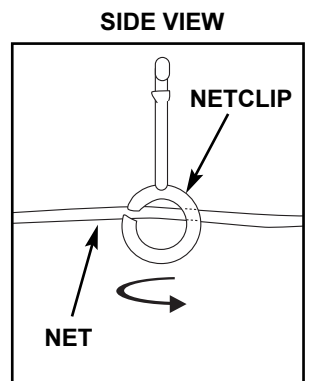
7.



Insert net into bottom of clip as shown.

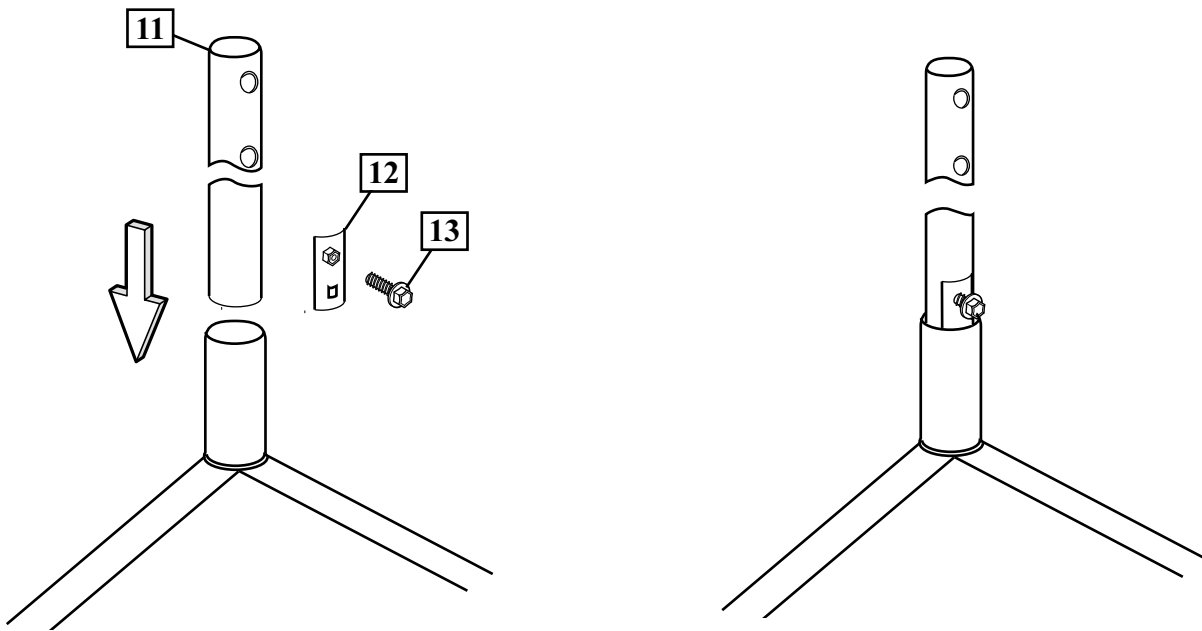


Twist net until it snaps into position.
Net must be centered through clip.



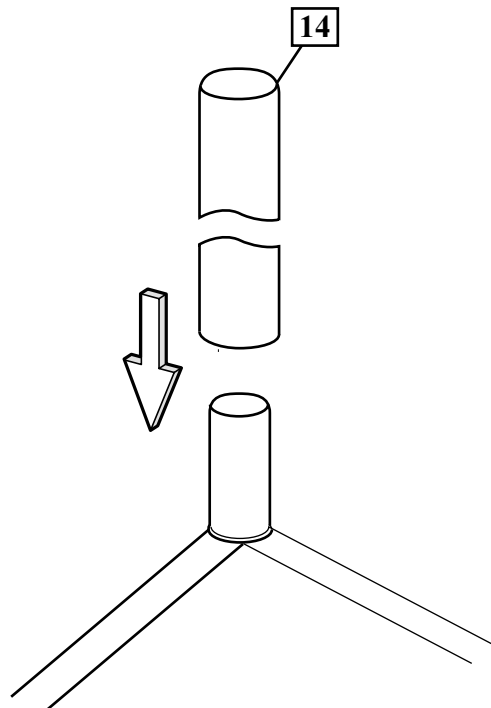
8.

At corner locations 1, 2, and 3 install the display pole (11) to the mounting pole stub. If required, secure the display pole (11), slide the display wedge (12) into position as shown. Tighten the set screw (13) to lock the display pole (11) in place. Use the second wedge only if necessary to tighten the fit.



9.

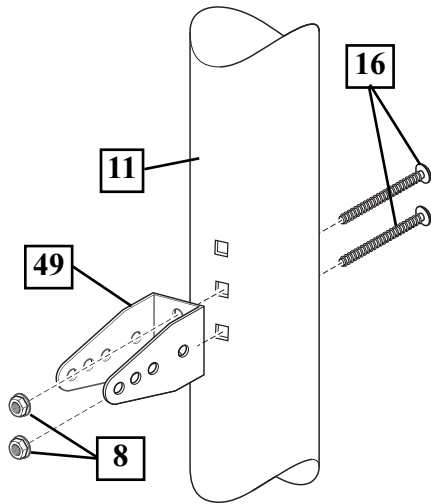
At corner location 4 slide the display pole (14) (3 1/2" diameter) over the mounting pole stubs.



ELEVATOR ASSEMBLY - Corner Locations 1 and 3

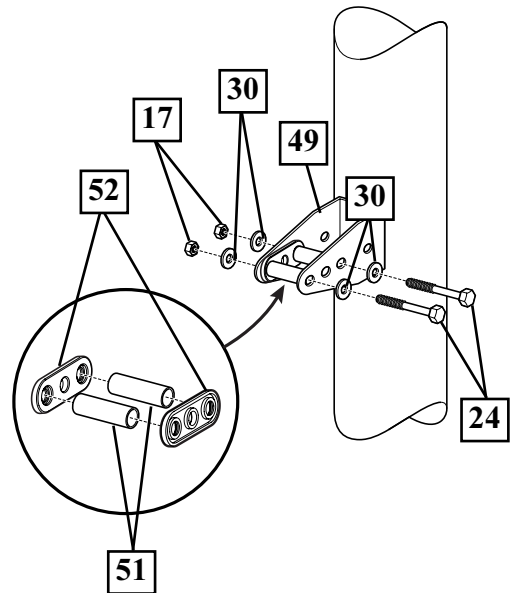
10.

Install pole mount bracket (49) with carriage bolts (16) as shown. Tighten flange nuts (8) completely.



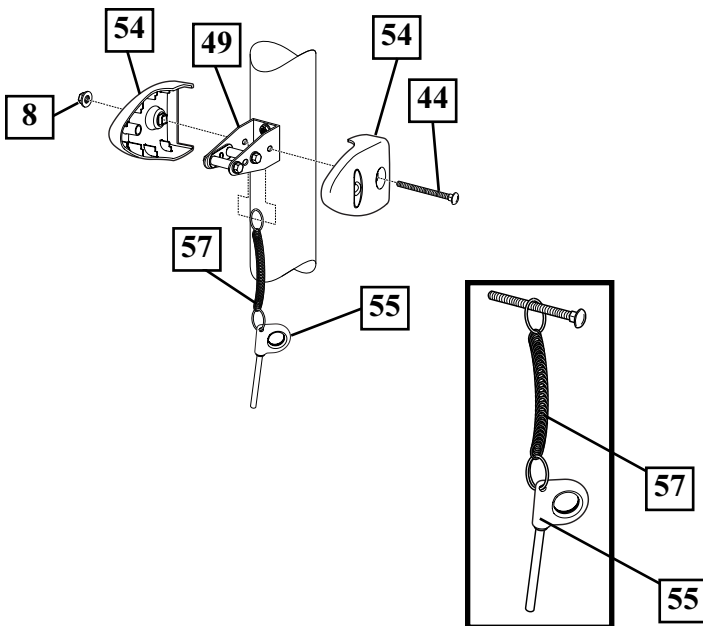
11.

Attach spacers (51, 52) to pole mount bracket (49) with bolts (24), washers (30), and nuts (17) as shown. **IMPORTANT! Tighten until washers (30) no longer move.**



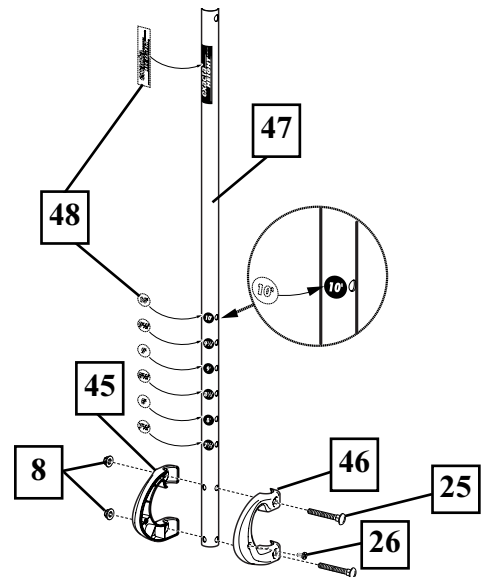
12.

Attach covers (54) onto pole mount bracket (49) with carriage bolt (31) and nut (8) as shown. **IMPORTANT! Loop end of pin lanyard (57) over carriage bolt (31) during this assembly.** **NOTE:** Assemble lanyard (57) to locking pin (55) as shown.



13.

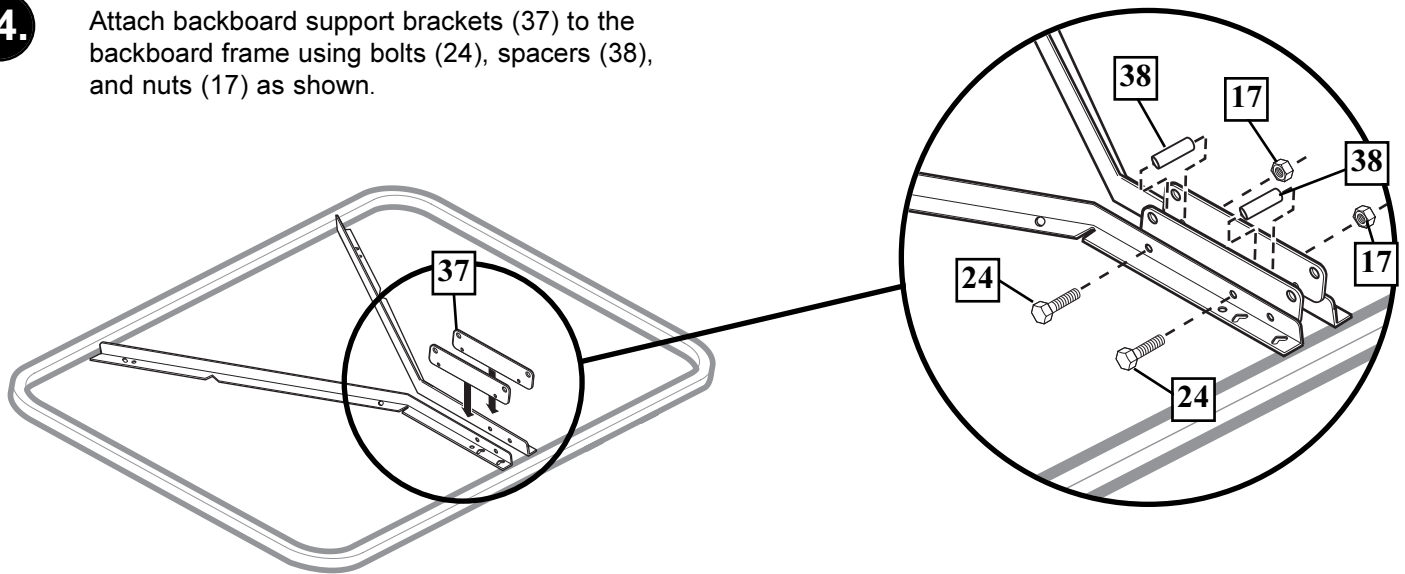
Apply logo and height indicator labels (48) to adjustment rod (47) as shown. Attach handle parts (45, 46) to adjustment rod (47) with screw (26), carriage bolts (22), and flange nuts (8) as shown. **NOTE:** Holes in adjustment rod allow for either rear access or side access.



44" STEEL FRAME ACRYLIC BACKBOARD ASSEMBLY - Corner Location 1

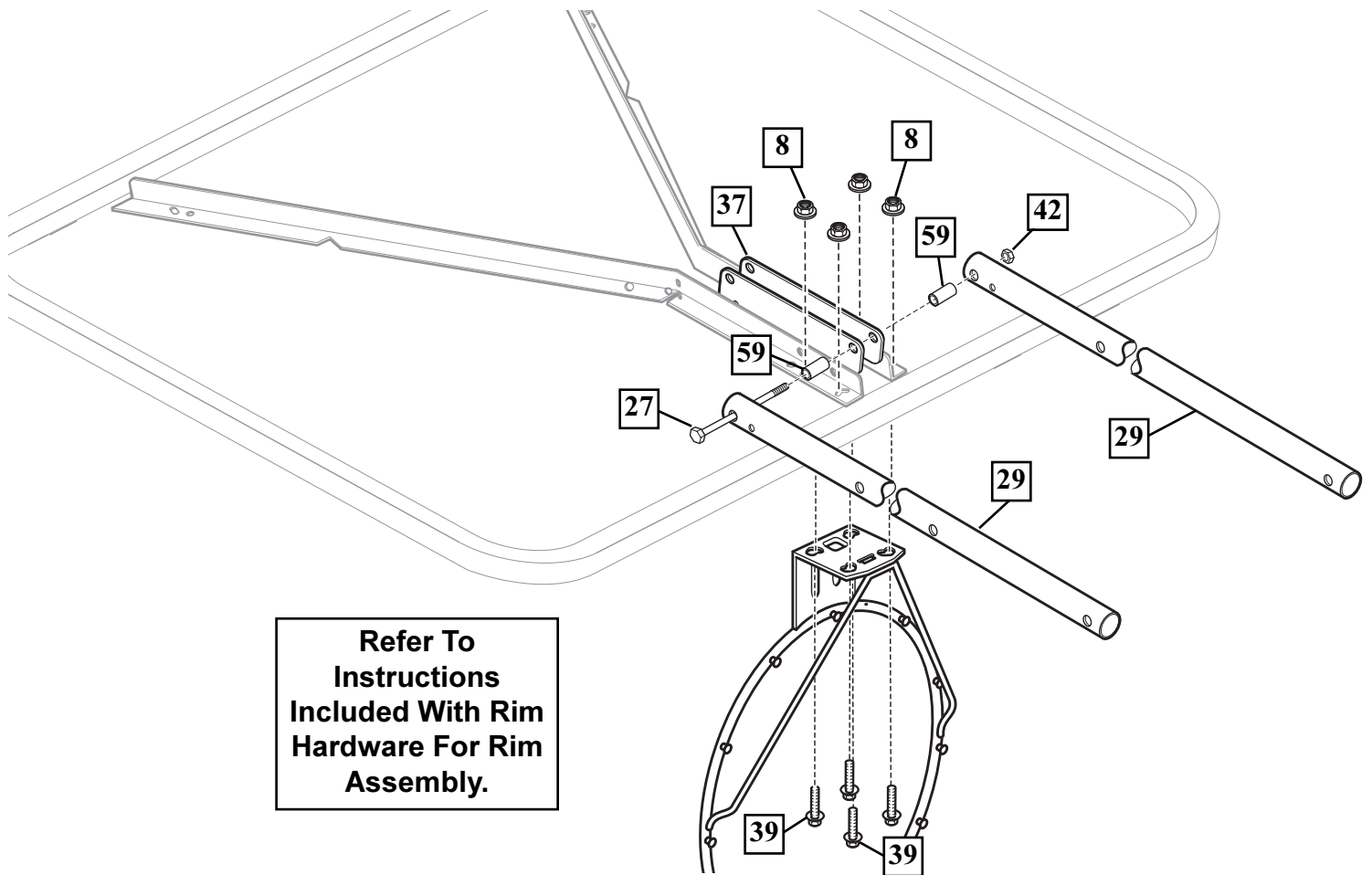
14.

Attach backboard support brackets (37) to the backboard frame using bolts (24), spacers (38), and nuts (17) as shown.

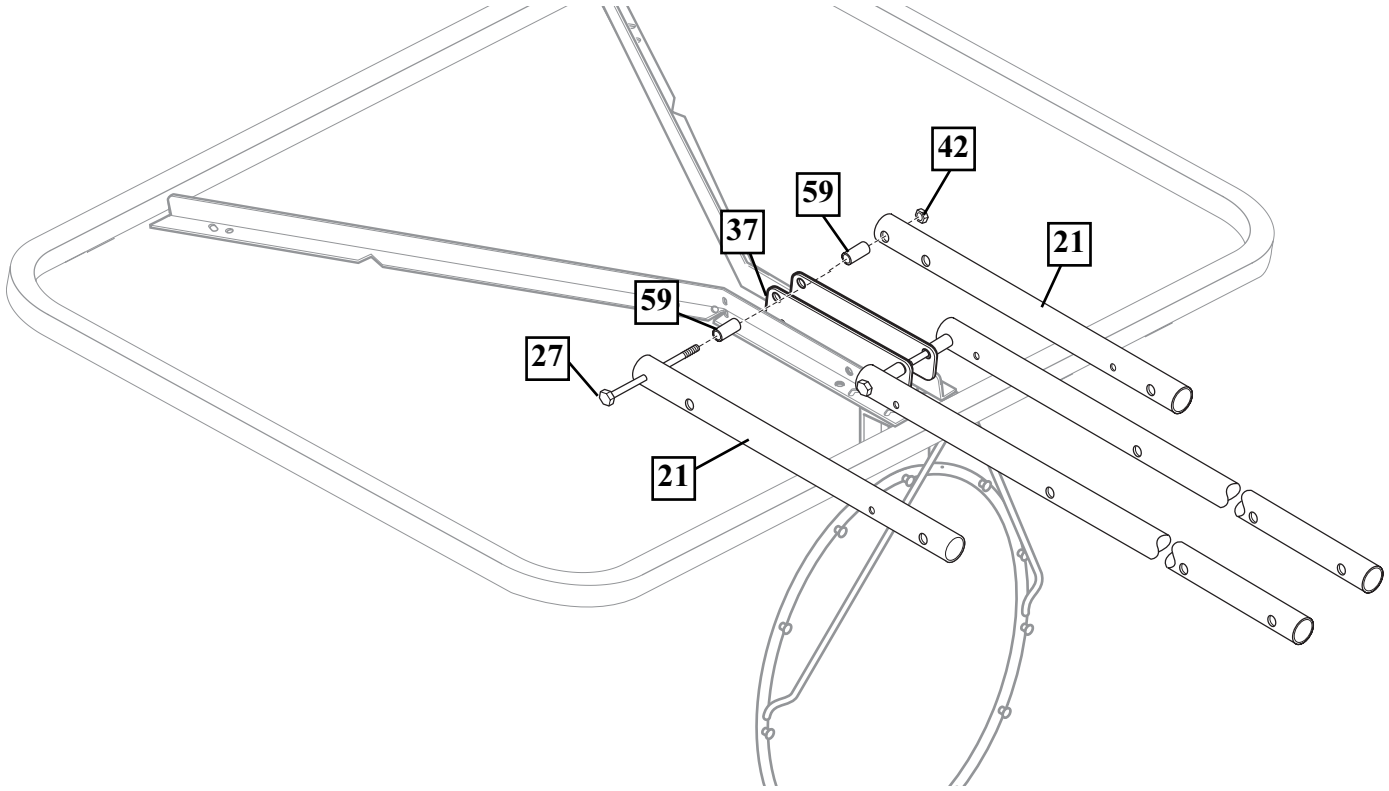


15.

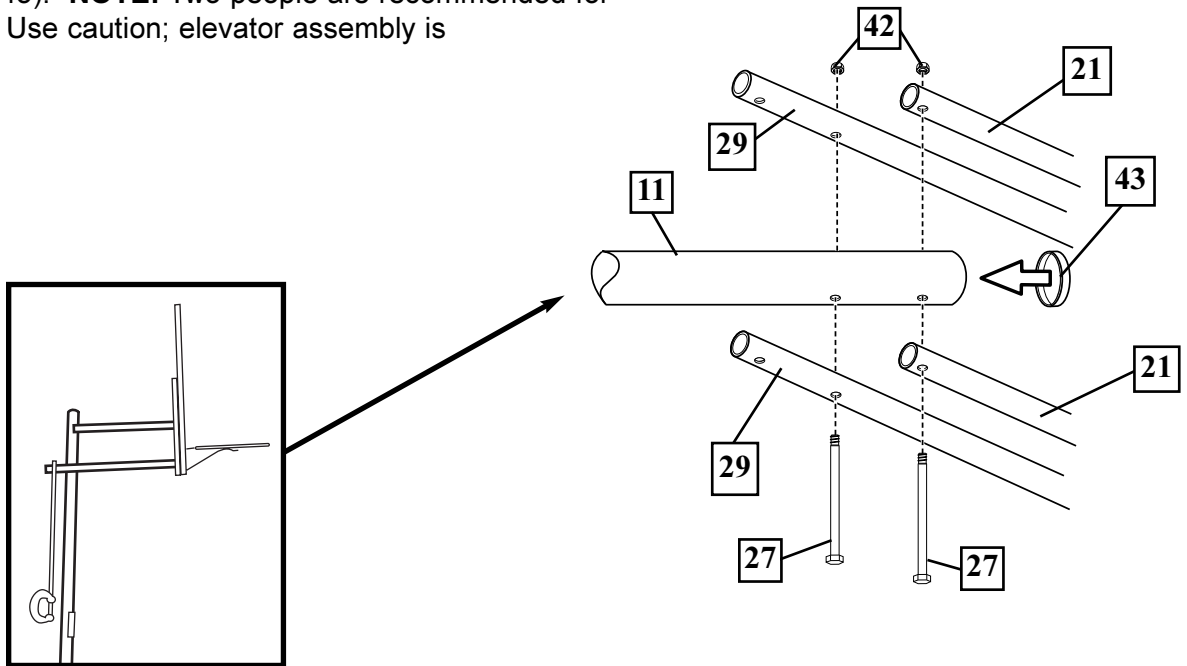
Attach lower elevator tubes (29) to backboard support brackets (37) using spacers (59), bolt (20), and nut (42) as shown. **NOTE:** Rim mounting nuts (8) and bolts (39) supplied with rim hardware.



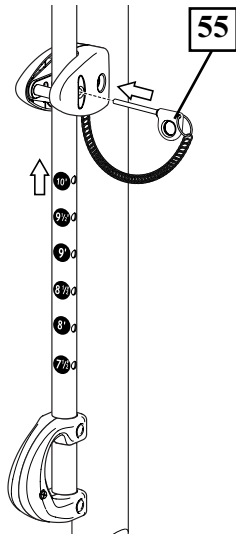
- 16.** Attach upper elevator tubes (21) to backboard support brackets (37) using spacers (59), bolt (27), and nut (42) as shown.



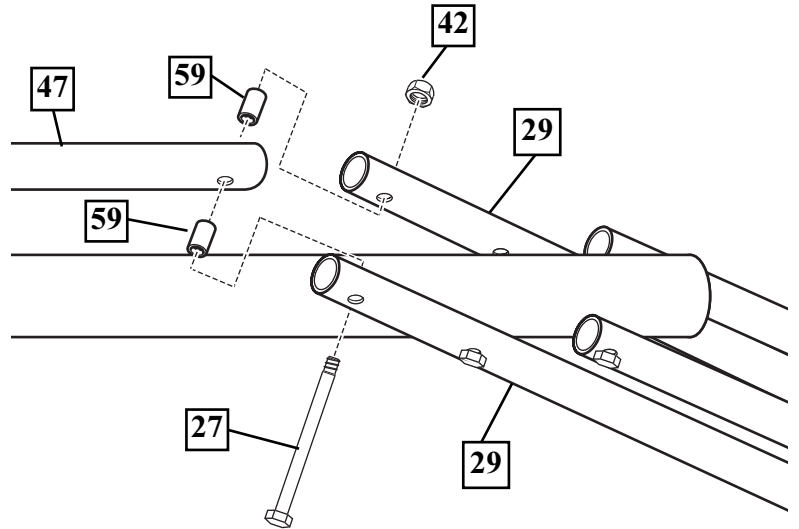
- 17.** Attach backboard assembly to pole section (11). Install pole cap (43). **NOTE:** Two people are recommended for this step. Use caution; elevator assembly is heavy.



- 18.** Insert handle assembly through pole mount assembly as shown. Lock pole assembly in place at the 10' (3.05m) mark with pin (55).

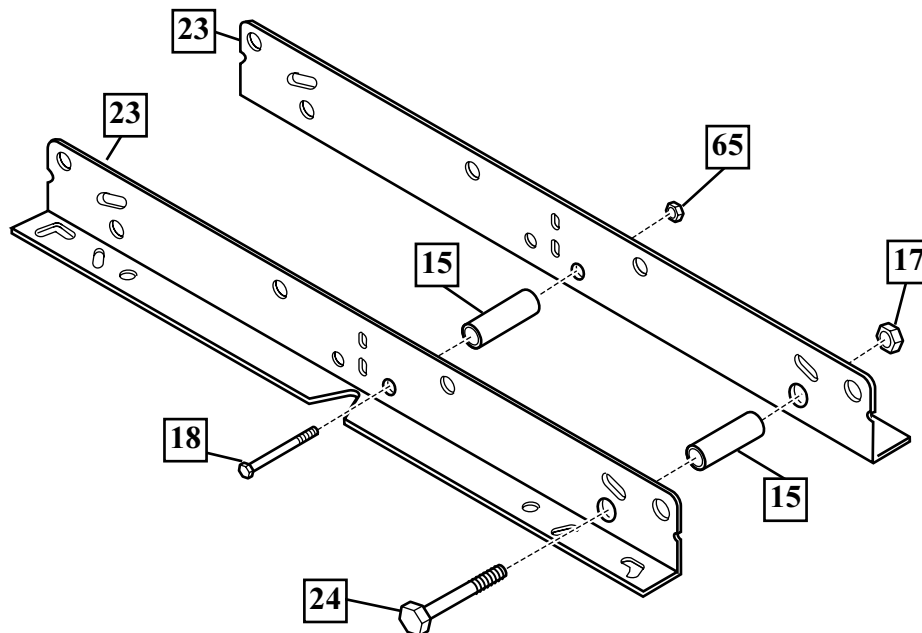


- 19.** Attach adjustment rod (47) to lower elevator tubes (29) using bolt (27) spacer (59) and nut (42) as shown.

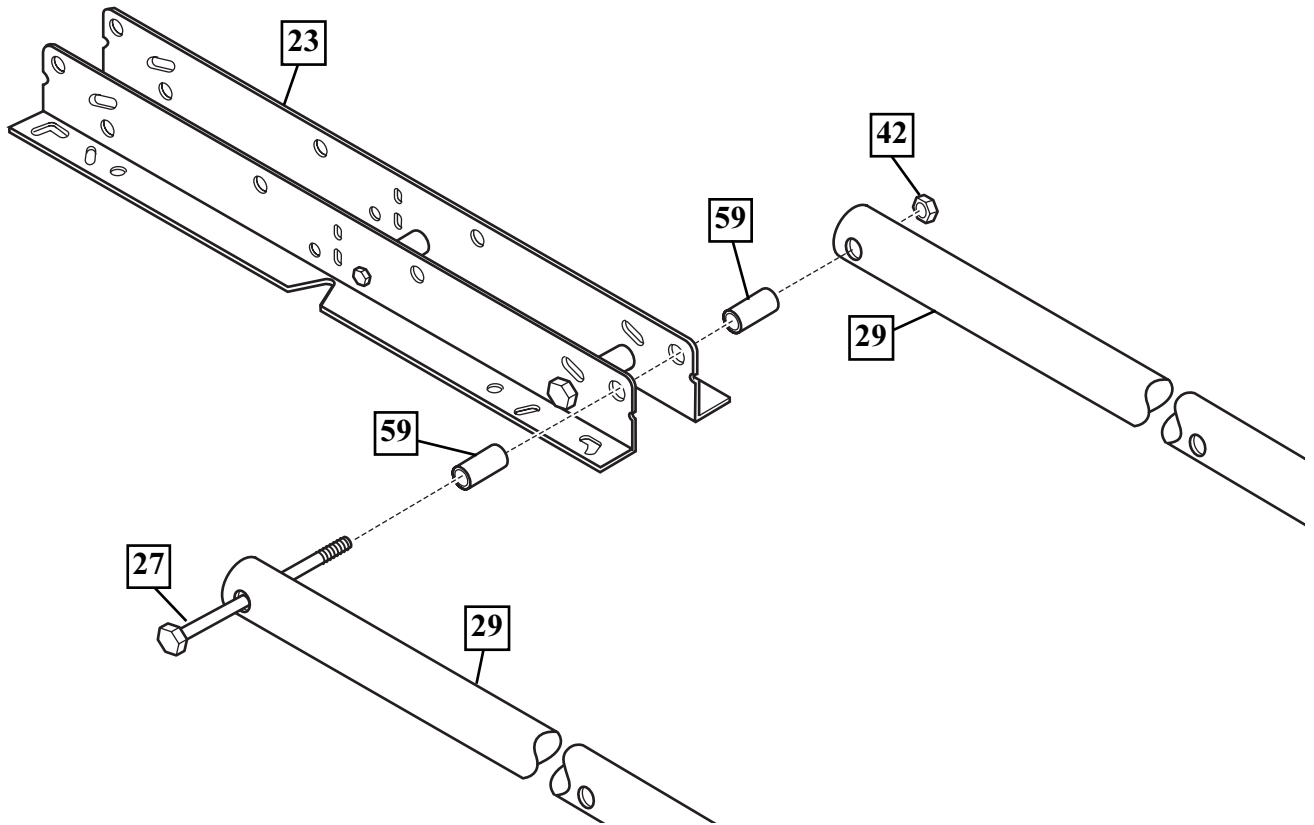


44" FAN MOLDED PLASTIC BOARD ASSEMBLY - Corner Location 3

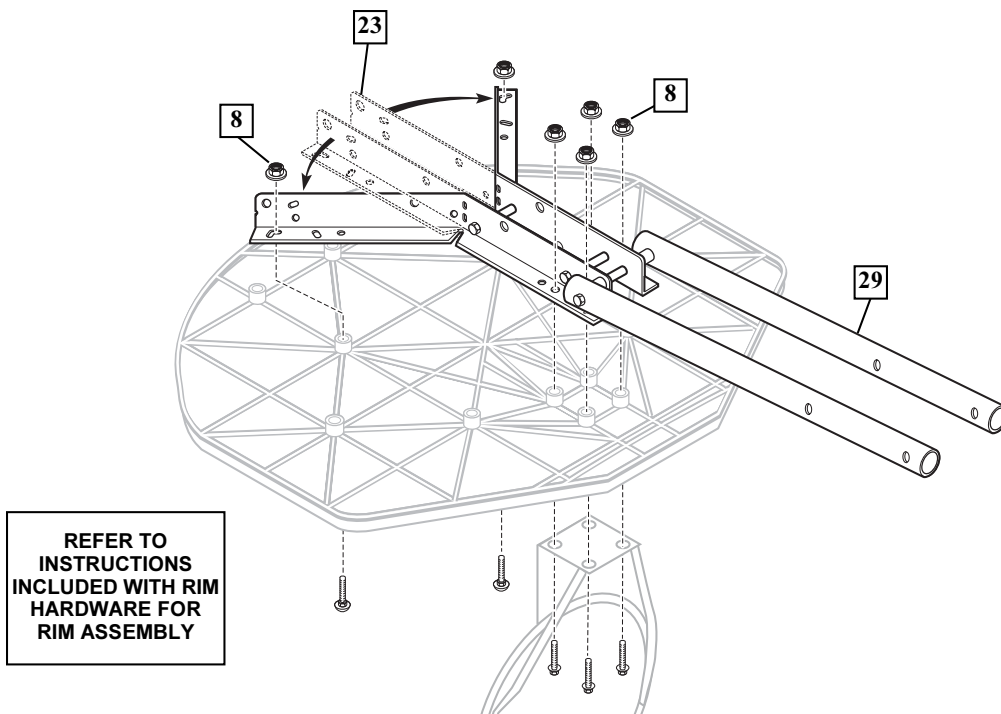
- 20.** Assemble backboard brackets (23) using spacers (15) bolts (18, 24) and nuts (19, 17) as shown.



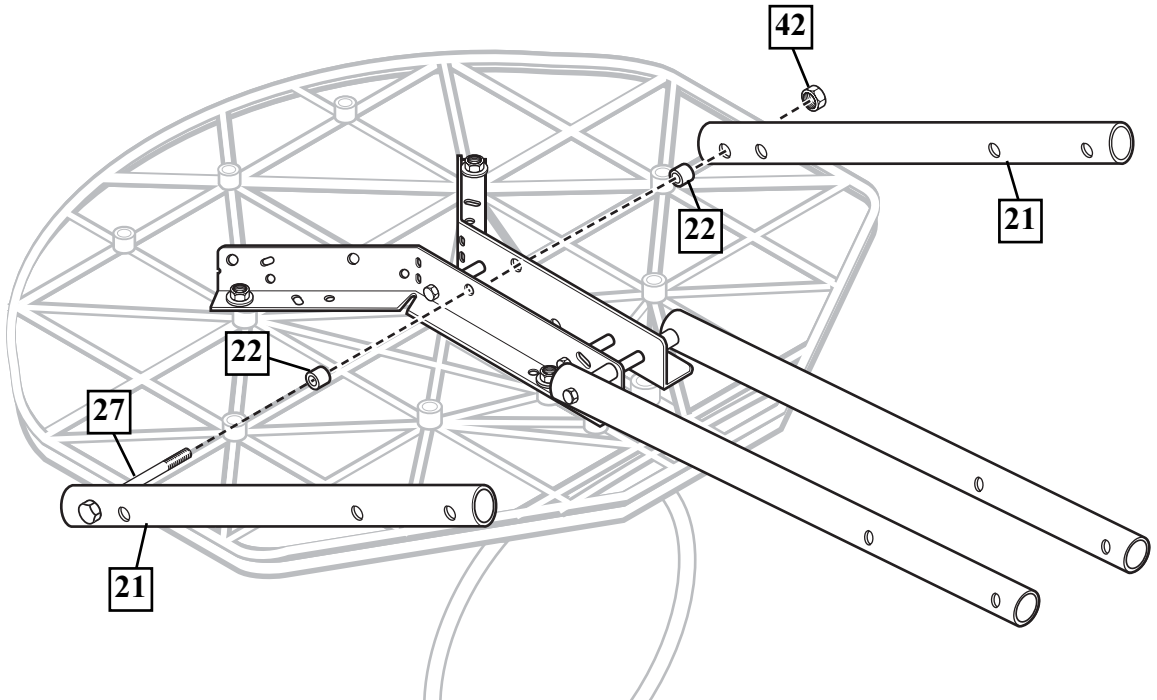
- 21.** Attach lower elevator tubes (29) to backboard brackets (23) using spacers (59) bolt (27) and nut (42) as shown.



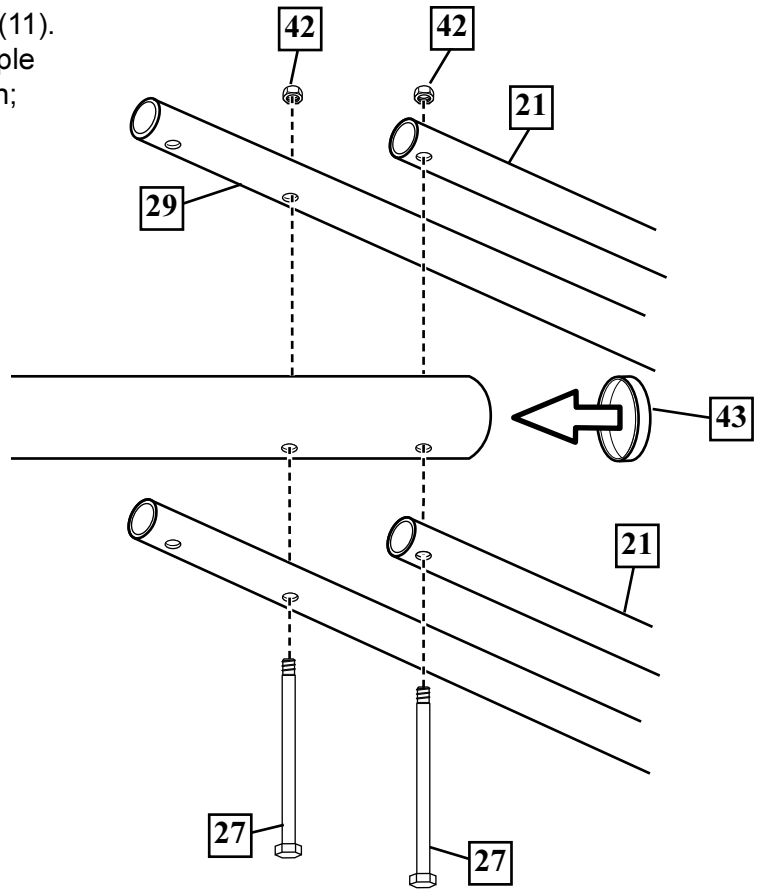
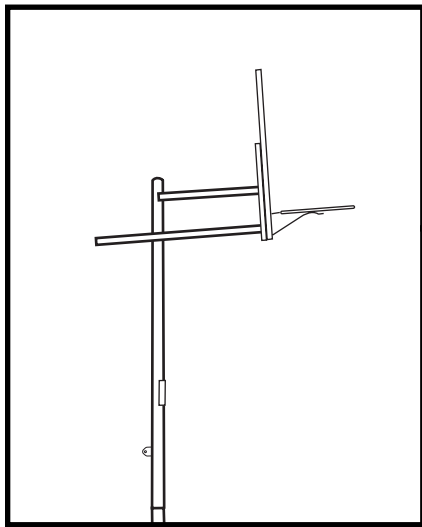
- 22.** Bend top of backboard brackets (23) outward to match up with holes on backboard and secure using nuts (8) and bolts as shown. Attach rim to backboard using bolts and nuts (8) as shown.



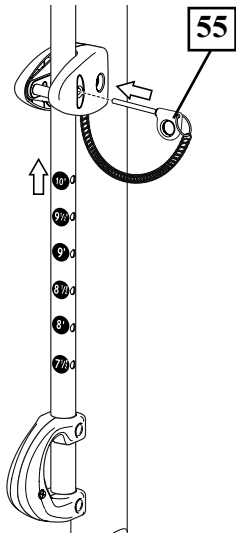
- 23.** Attach upper elevator tubes (21) to backboard brackets (23) using spacers (22) bolt (27) and nut (42) as shown.



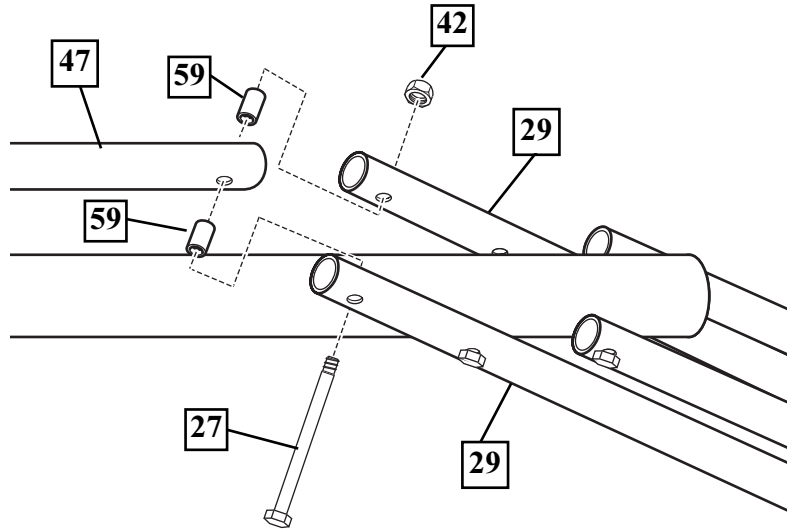
- 24.** Attach backboard assembly to pole section (11). Then install pole cap (43). **NOTE:** Two people are recommended for this step. Use caution; elevator assembly is heavy.



- 25.** Insert handle assembly through pole mount assembly as shown. Lock pole assembly in place at the 10' (3.05m) mark with pin (55).

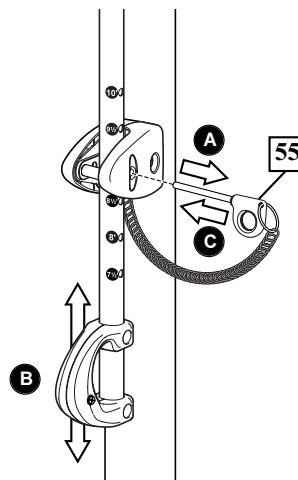


- 26.** Attach adjustment rod (47) to lower elevator tubes (27) using bolt (27) spacer (59) and nut (42) as shown.



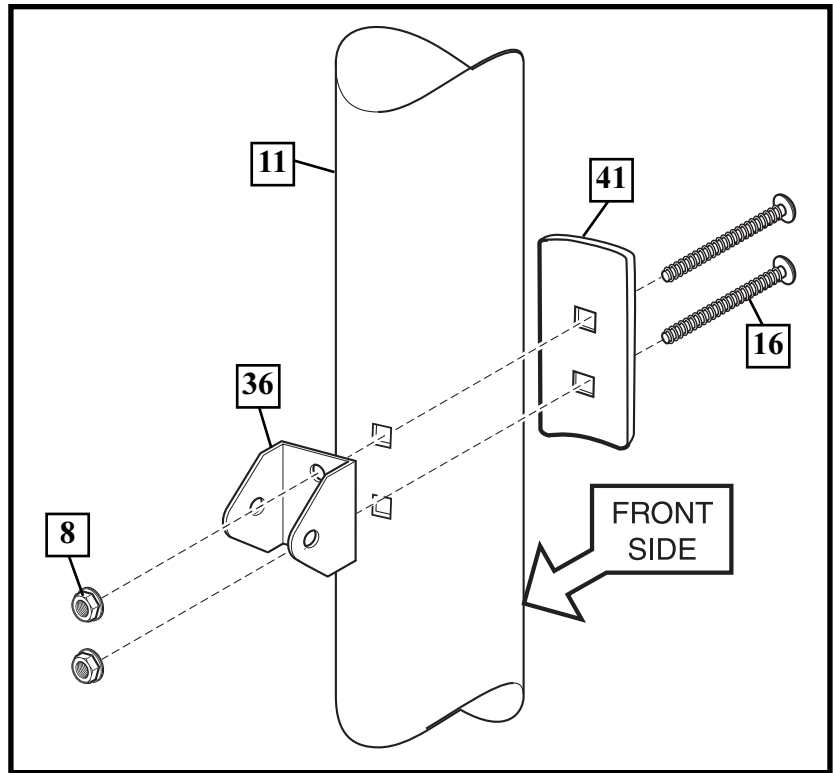
HEIGHT ADJUSTMENT

- 27.** To Set Backboard Height:
- While holding handle, remove pin (55).
 - Move elevator up or down to desired height.
 - Replace pin full length to lock system at desired height.



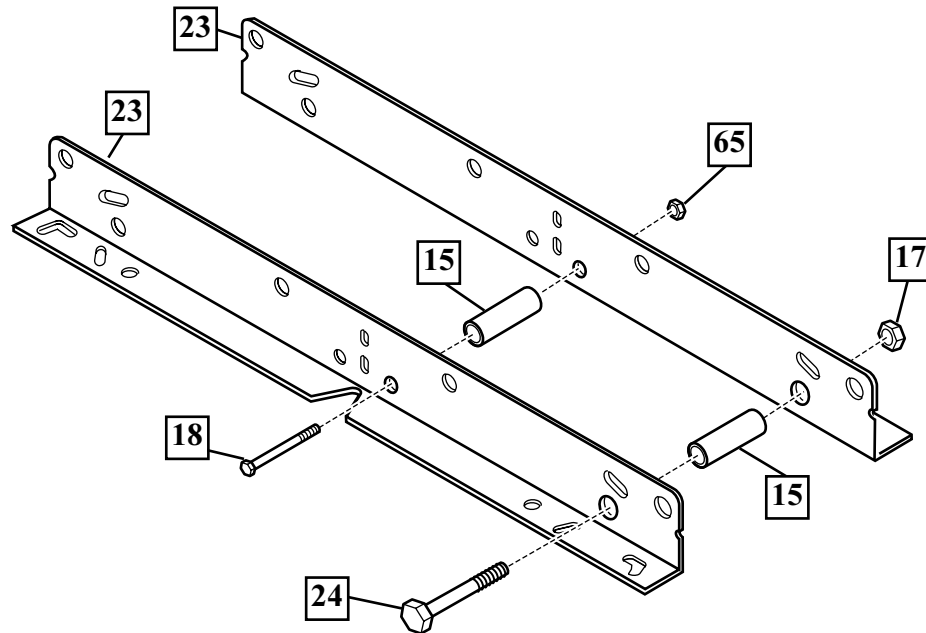
1.

Attach elevator bracket (36) and reinforcement bracket (41) to pole section (11) using bolts (16) and nuts (8) as shown.

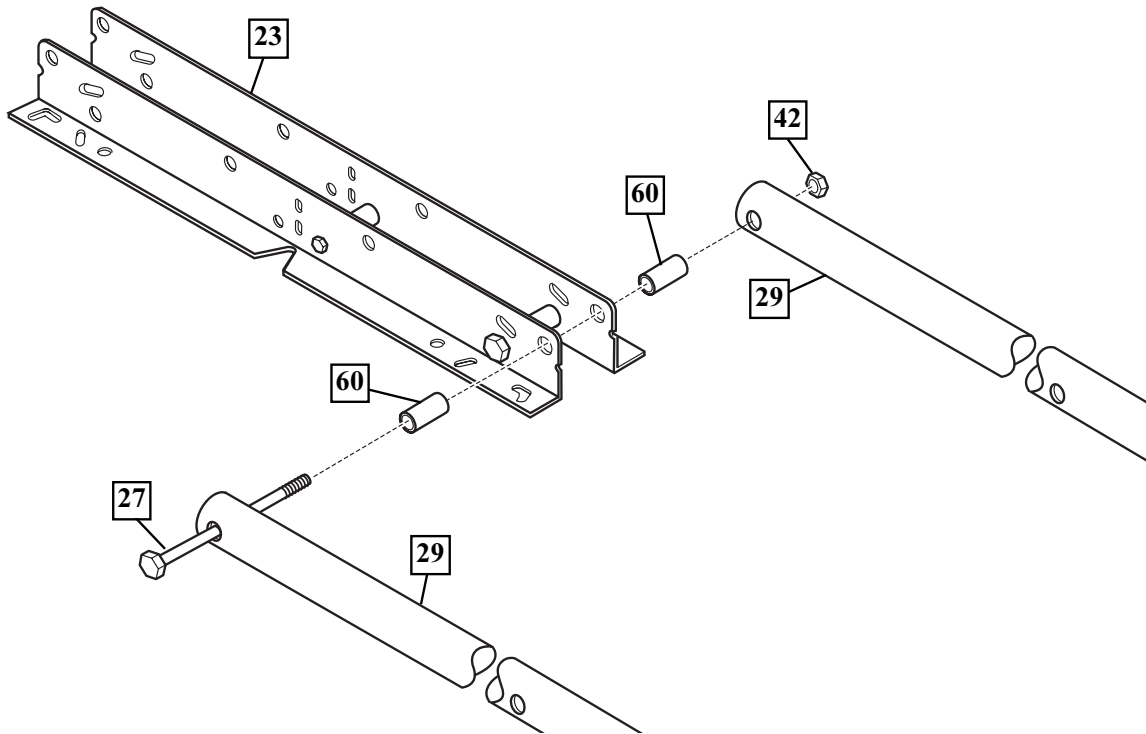


2.

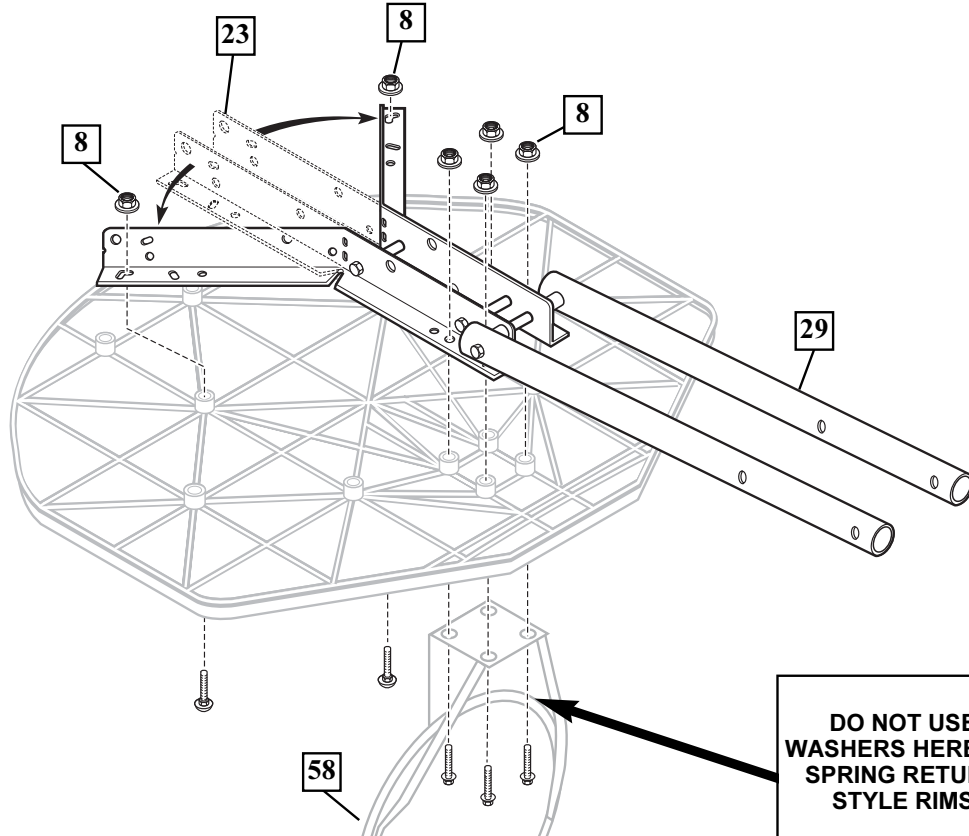
Assemble backboard brackets (23) using spacers (15) bolts (18, 24) and nuts (19, 17) as shown.



3. Attach lower elevator tubes (29) to backboard brackets (23) using spacers (60) bolt (27) and nut (42) as shown.



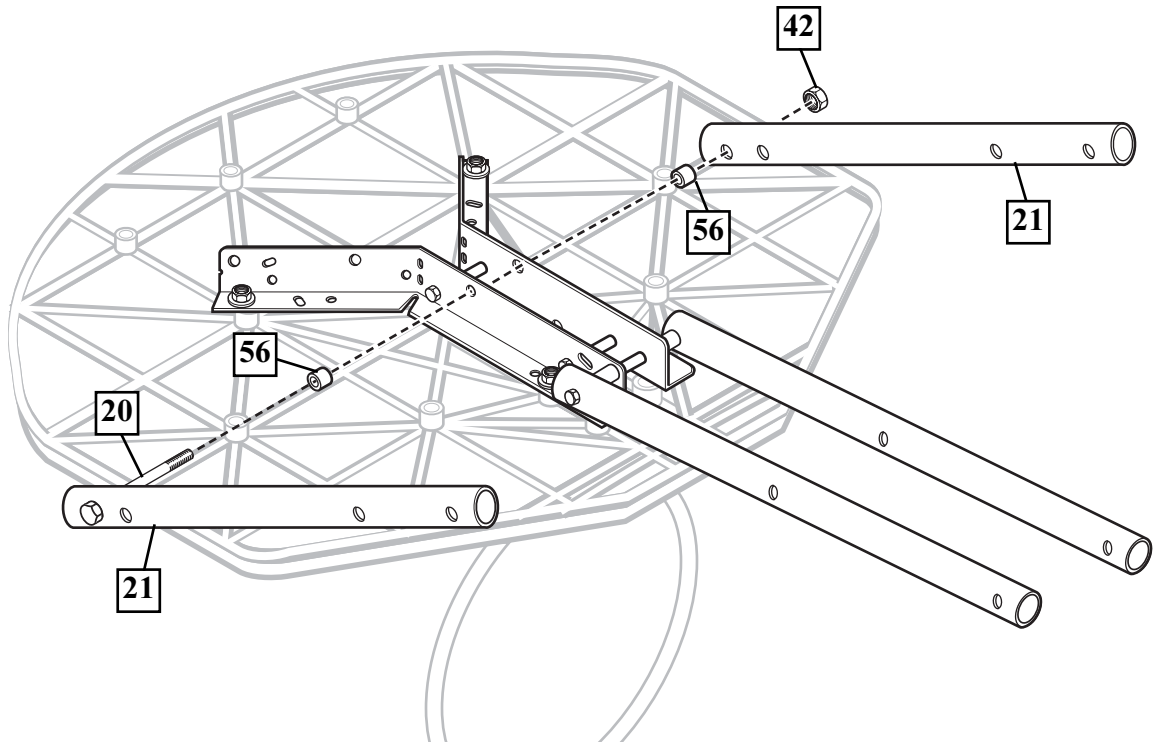
4. Bend top of backboard brackets (23) outward to match up with holes on backboard and secure using nuts (8) and bolts as shown. Attach rim to backboard using using bolts and nuts (8) as shown.



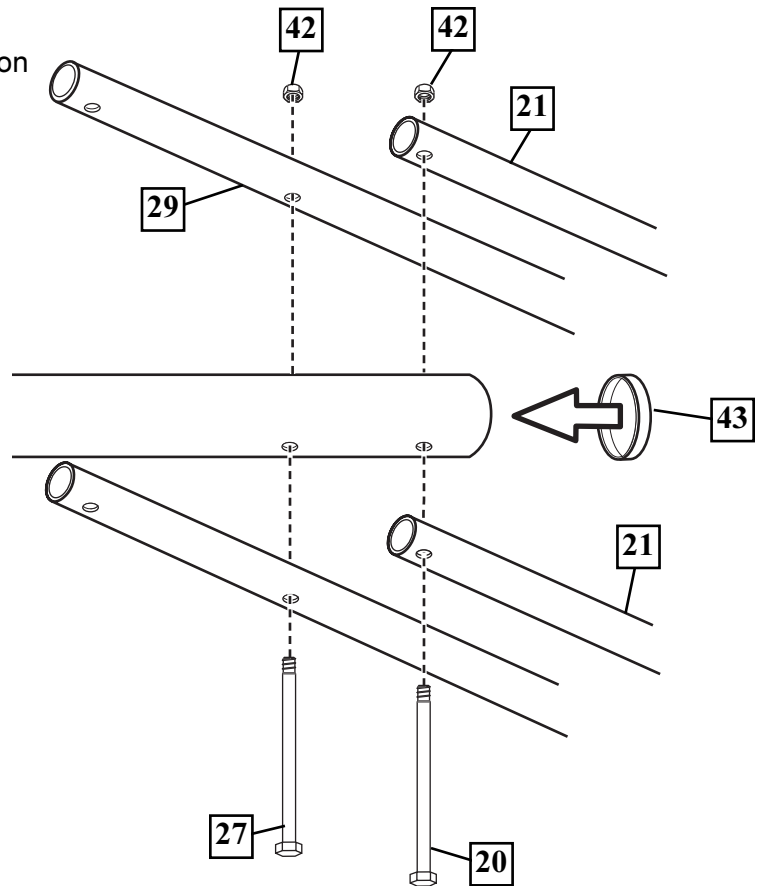
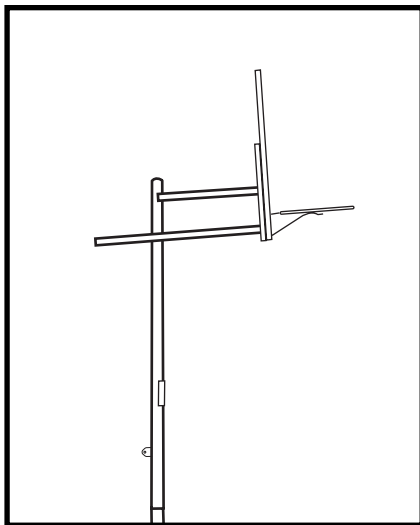
REFER TO
INSTRUCTIONS
INCLUDED WITH RIM
HARDWARE FOR
RIM ASSEMBLY

DO NOT USE
WASHERS HERE ON
SPRING RETURN
STYLE RIMS

- 5.** Attach upper elevator tubes (21) to backboard brackets (23) using spacers (56) bolt (20) and nut (42) as shown.



- 6.** Attach backboard assembly to top pole section (11). Then install pole cap (43). **NOTE:** Two people are recommended for this step. Use caution; elevator assembly is heavy.



7.

Insert locking pin (28) into bracket on adjustment tube (6). Insert cross pin (5) through hole in bracket and locking pin (28) as shown in figure A. Fit left handle (31) onto adjustment tube (6) so the bottom of adjustment tube (6) sits on the two small ribs of the handle as shown in figure B.

Fig. A

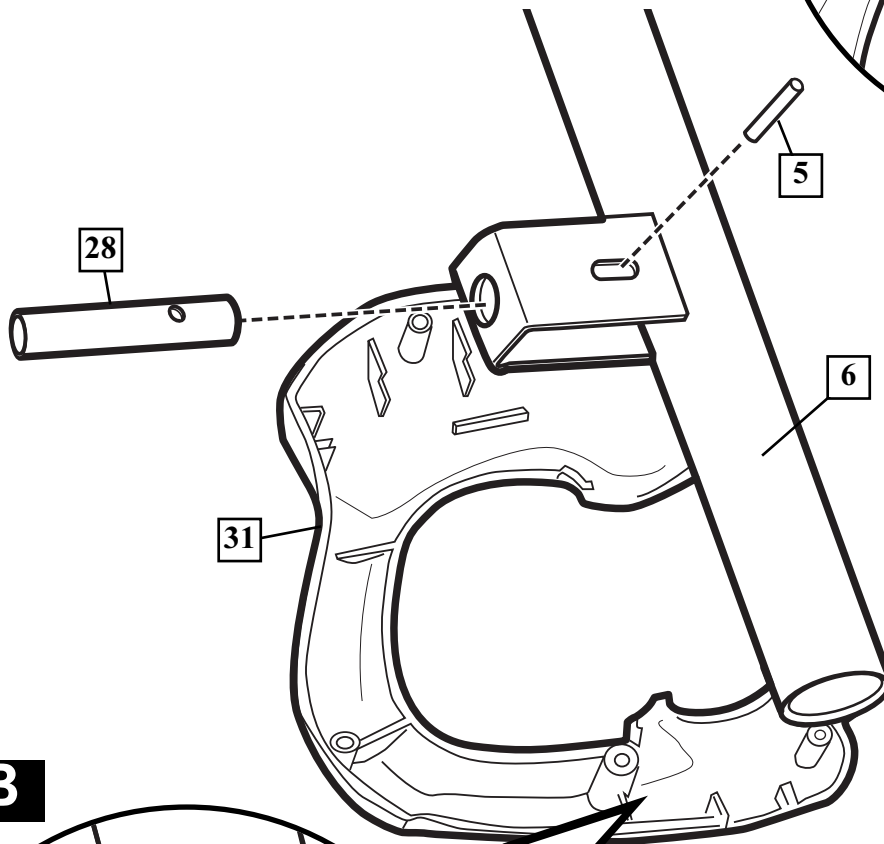
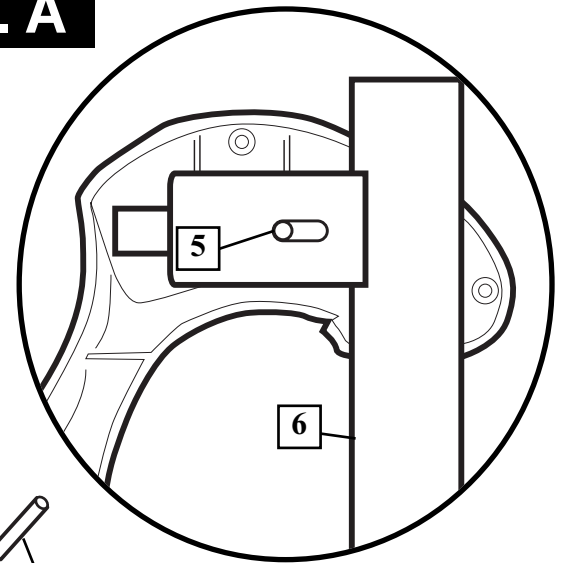
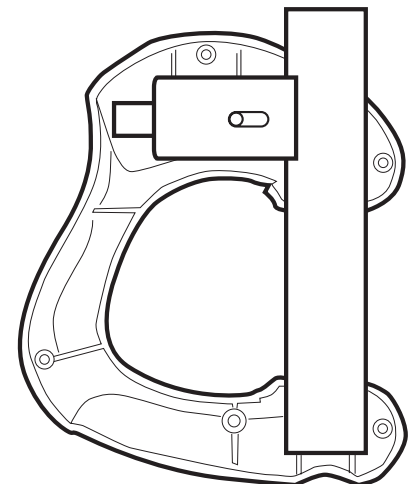
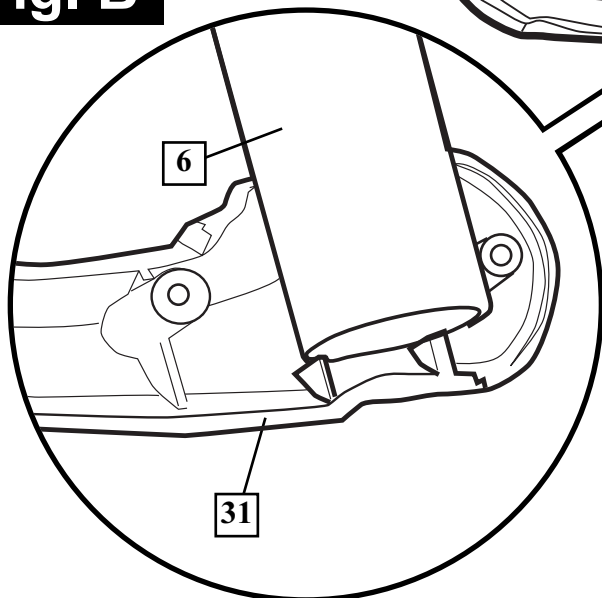


Fig. B



- 8.** Insert spring (53) into back of locking pin (28) as shown. Spring (53) should rest between two small ribs at the back of the plastic handle as shown in Figure C. Insert top of trigger (50) into bracket on the adjustment tube (6) as shown. The plastic post of the handle pieces should go through the hole in bottom of trigger (50) and hold it into place as shown.

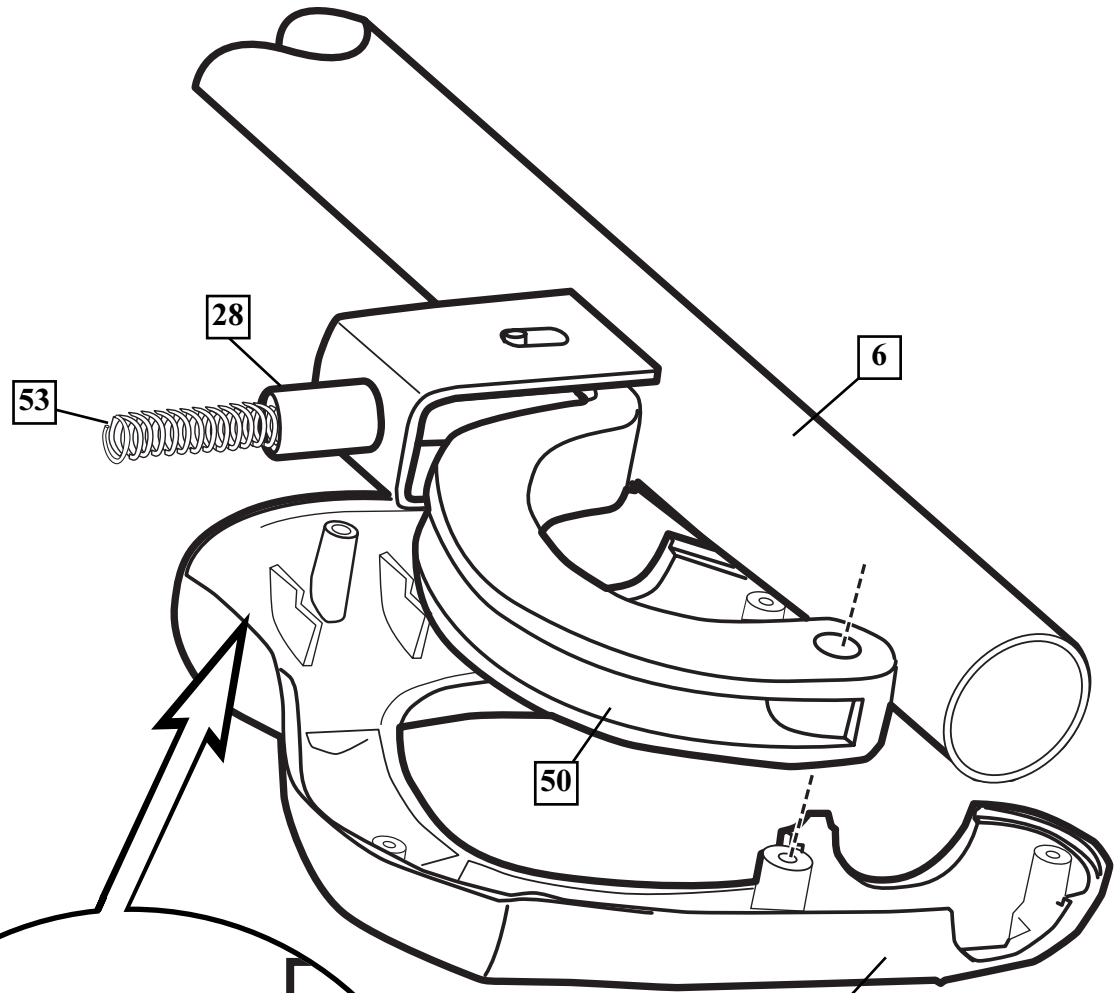
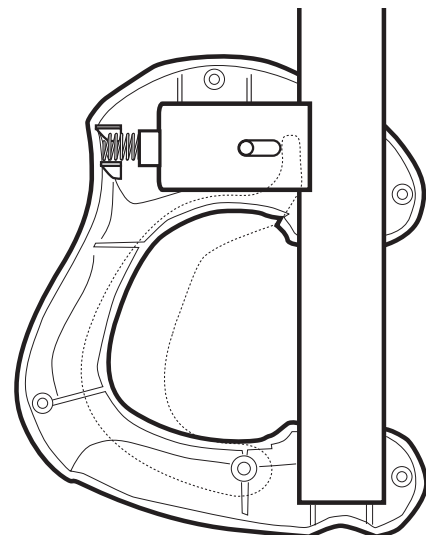
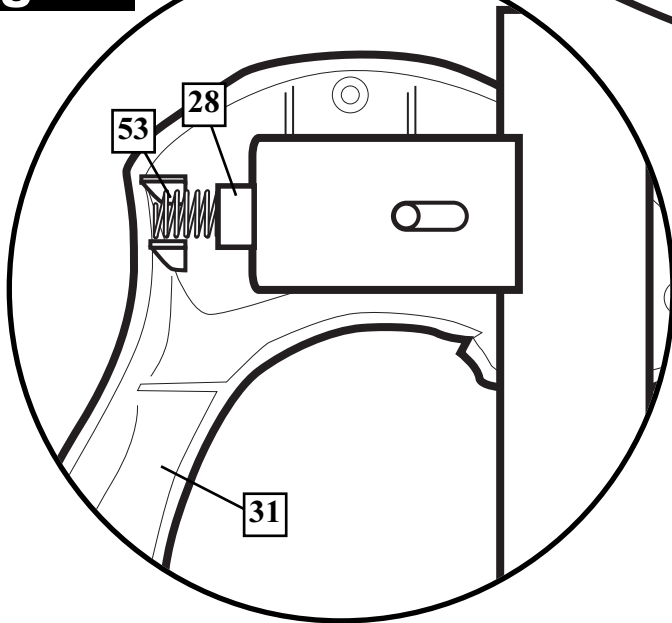
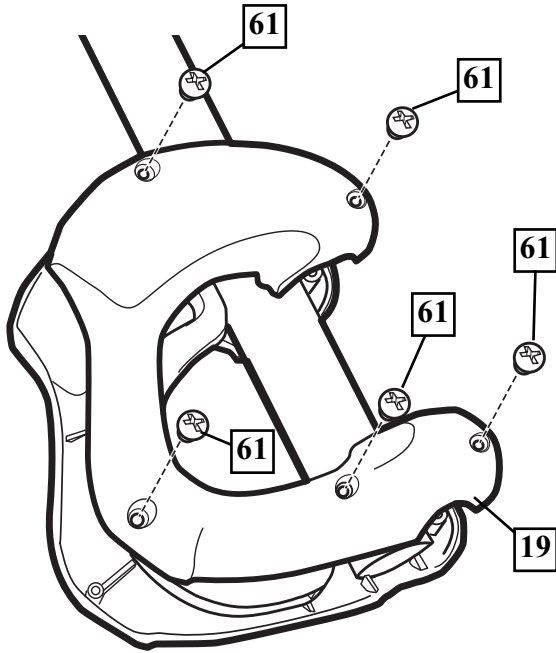


Fig. C



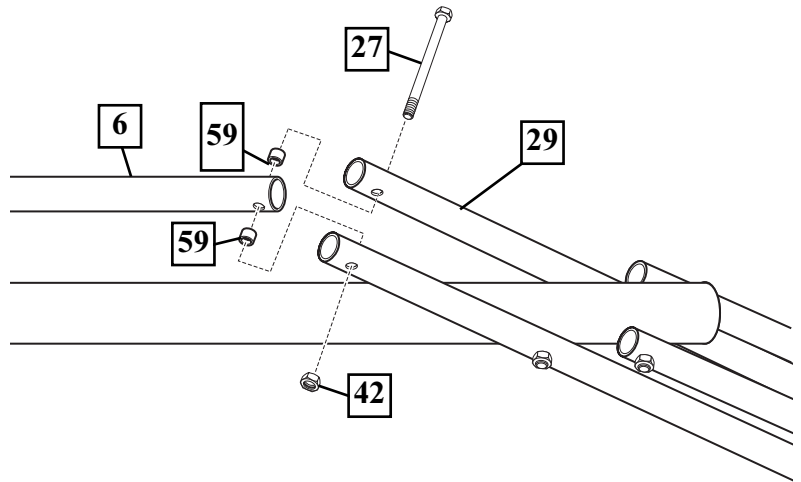
9.

Finish handle assembly by attaching right handle using screws as shown.



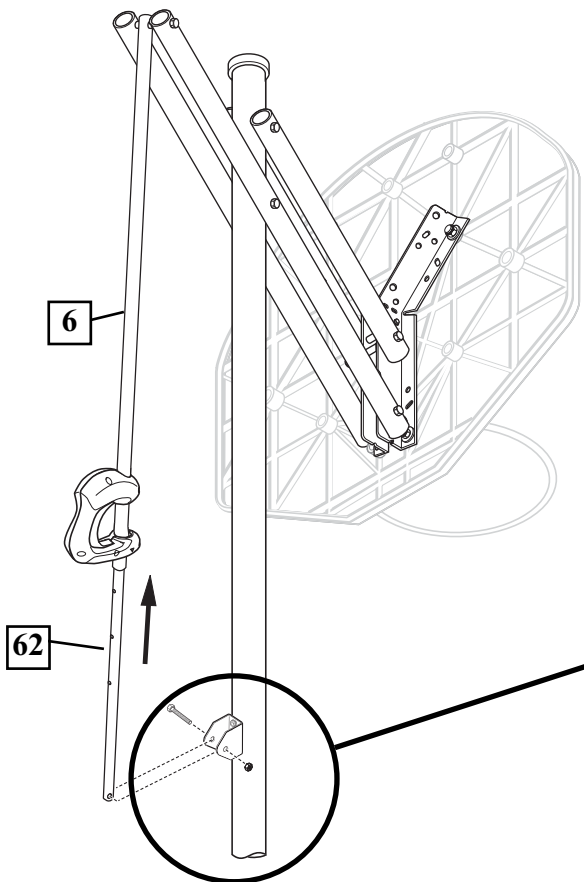
10.

Attach adjustment tube to lower elevator tubes using bolt spacers and nut as shown.



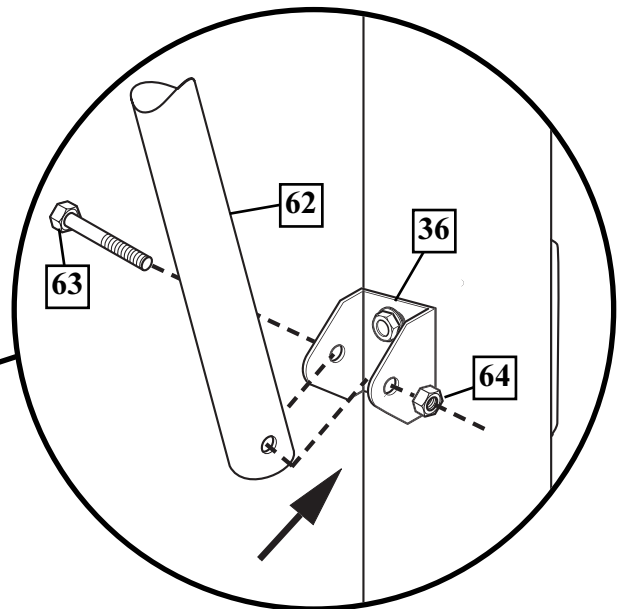
11.

Insert lower adjustment rod (62) into bottom of adjustment tube (6), pull trigger to allow lower adjustment rod to move about mid-way into adjustment tube (6), release the trigger so the lower adjustment rod (62) locks into position midway inside the adjustment tube (6). Attach the lower adjustment rod (62) to elevator bracket (65) using bolt (63) and nut (64) as shown.



! WARNING

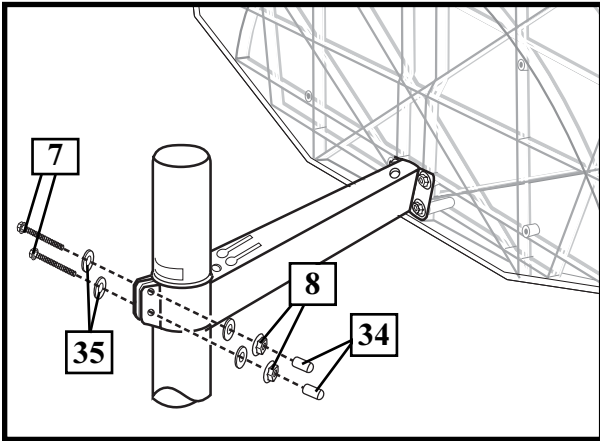
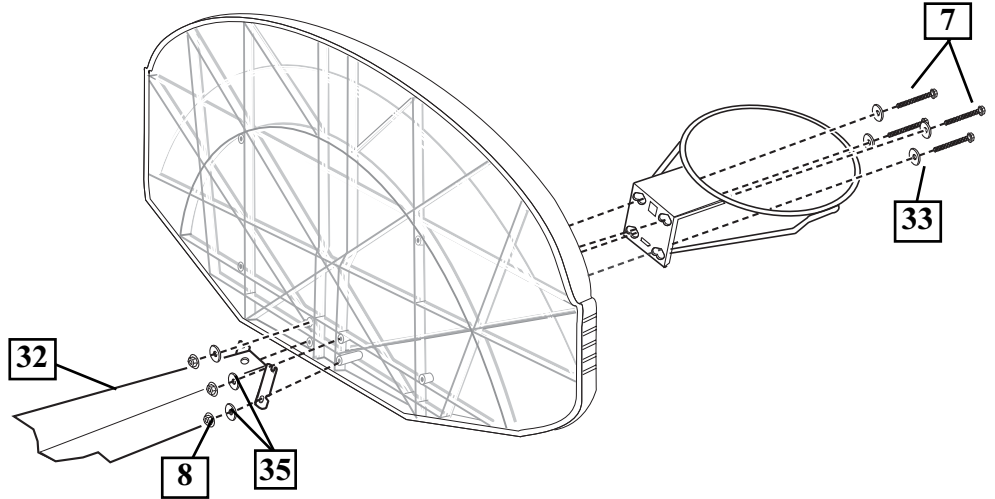
TWO PERSON MINIMUM
REQUIRED FOR THIS
PROCEDURE.
NOT FOLLOWING
RECOMMENDATION MAY
RESULT IN BODILY INJURY.



12. Assemble 40" fan backboard as shown below with a standard rim as shown.

WARNING

TWO PERSON MINIMUM
REQUIRED FOR THIS
PROCEDURE.
NOT FOLLOWING
RECOMMENDATION MAY
RESULT IN BODILY INJURY.

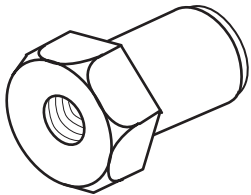


PARTS LIST - See Hardware Identifier

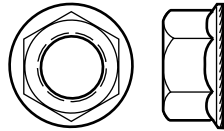
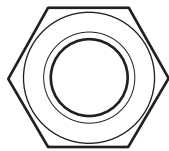
<i>Item</i>	<i>Qty.</i>	<i>Part No.</i>	<i>Description</i>	<i>Item</i>	<i>Qty.</i>	<i>Part No.</i>	<i>Description</i>
1	2	900033	Back Bracket	35	6	203218	Washer 5/16 Flat
2	2	203796	T-Bolt, 3/8-16 x 5	36	1	200209	Pole Mount Bracket
3	2	200318	Bracket	37	2	900103	Bracket, Backboard Support
4	2	203472	Spring	38	2	200874	Spacer, Steel .402 I.D.x.50 O.D.x1.5 Long
5	1	200215	Cross Pin	39	4*	205528	Bolt, Hex Flange, 5/16-18 x 1 Long
6	1	900006	Adjustment Tube - Upper	40	2	201642	Spacer .530 I.D. x.63 O.D. x .875 Long
7	16*	203113	Bolt, Hex-Flange 5/16-18 x 2.5	41	1	206990	Reinforcement Bracket
8	34	203100	Nut, Hex-Flange 5/16-18 whiz Lock	42	15	206340	Lock Nut, Hex Head, 1/2-13
9	48	201219	Clip, Smart Clips	43	3	207103	Cap, Pole Top
10	4	204290	Net	44	1	203038	Bolt, Carriage 5/16-18 X 2-3/4
11	3	904847	Pole, Display	45	2	204855	Handle, Left
12	2	206987	Wedge	46	2	204856	Handle, Right
13	2	203156	Bolt, Hex 5/16-18 x 1	47	2	904866	Height Adjustment Rod
14	1	908407	Pole, Display	48	2	204872	Label, Height Indicator
15	4	201129	Spacer, 1 3/4	49	2	204832	Bracket, Pole Mount
16	4	203053	Bolt, Carriage, 5/16-18 x 4 Long	50	1	200212	Trigger
17	8	201124	Lock Nut, Hex Head, 3/8-16	51	4	204857	Spacer, Metal 1/2" O.D.x1.44 Long
18	2	240017	Bolt, Hex Head 1/4-20 x 2 1/4	52	4	204858	Spacer, Biscuit, Plastic
19	1	200210	Right Handle	53	1	200257	Compression Spring
20	2	206304	Bolt, Hex Head 1/2-13 x 6 5/16	54	4	204859	Cover, Pin Slide
21	4	908002	Elevator Tube, Black	55	2	204850	Pin, Locking
22	4	206311	Spacer, Plastic	56	4	201642	Spacer, .530 x .625 Long
23	4	900846	Board Bracket, Black	57	2	204853	Lanyard, Black
24	2	206360	Bolt, Hex Head 3/8-16 x 2 5/8	58	4		Rim
25	4	203103	Carriage Bolt	59	8	202862	Spacer, 1.190 Long
26	2	204803	Screw Phillips Head	60	2	201681	Spacer, .88 Long
27	13	201640	Bolt, Hex Head 1/2-13 x 7-1/4	61	5	204804	Screw, Phillips Head, 3/4 Long
28	1	200214	Locking Pin	62	2	908008	Adjustment Rod - Lower
29	6	904821	Elevator Tube, Black, Long	63	1	202739	Bolt 5/16-18 x 1.75 Long
30	8	203232	Washer, Flat	64	2	203220	Nylon Insert Lock Nut, 5/16-18
31	1	200211	Left Handle	65	2	203493	Lockut,Hex,1/4-20
32	1	201097	Extension Arm				
33	24	203309	Washer 1" O.D.				
34	4	200516	Cover, Bolt End				

* You May Have Extra Parts With This Model.

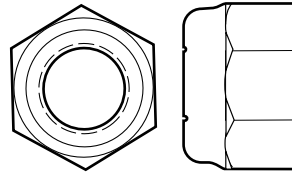
HARDWARE IDENTIFIER (NUTS & SCREWS)



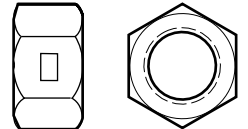
Item #6 (2)



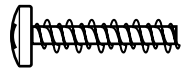
Item #8 (34)



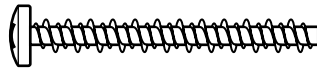
Item #42 (15)



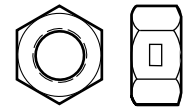
Item #17 (8)



Item #61 (5)



Item #26 (2)



Item #65 (2)

HARDWARE IDENTIFIER (STEEL SPACERS)

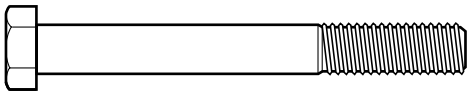


Item #15 (4)

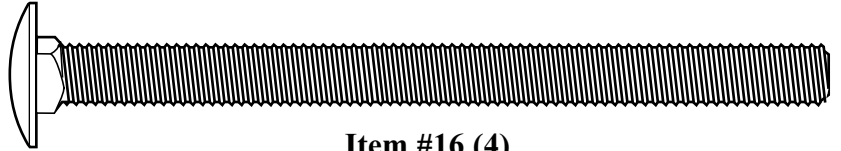


Item #38 (2)

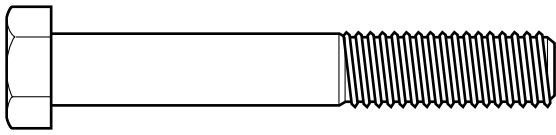
HARDWARE IDENTIFIER (BOLTS & SCREWS)



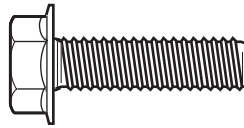
Item #18 (2)



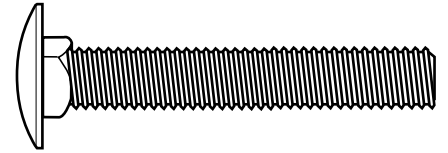
Item #16 (4)



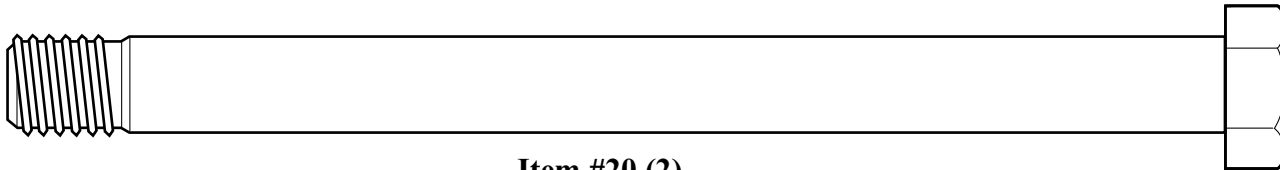
Item #24 (2)



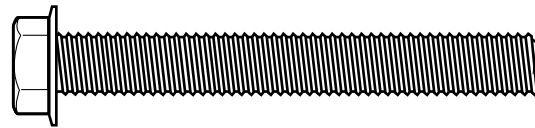
Item #39 (4)*



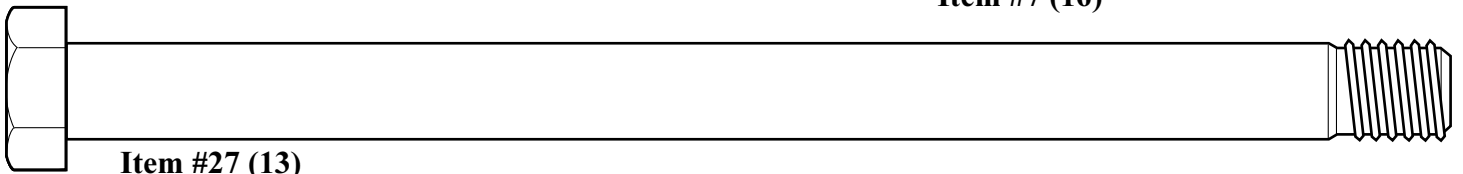
Item #25 (4)



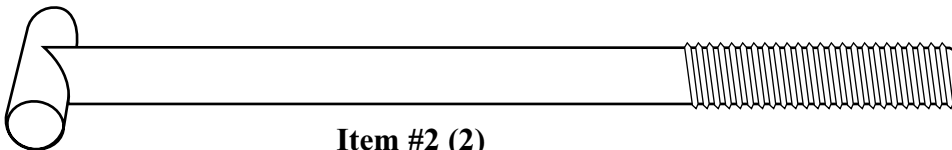
Item #20 (2)



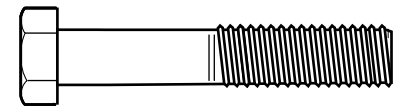
Item #7 (16)



Item #27 (13)

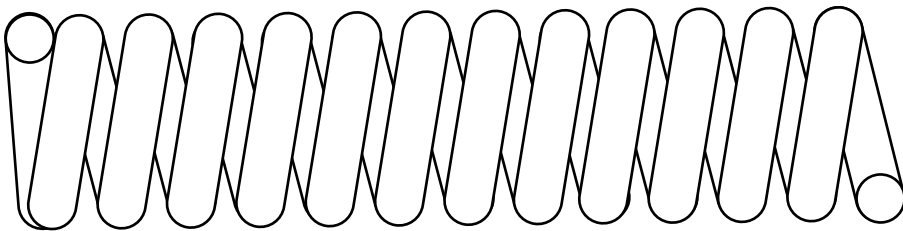


Item #2 (2)

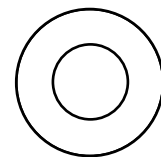


Item #63 (1)

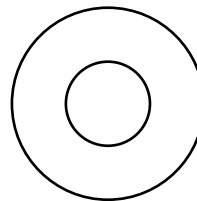
HARDWARE IDENTIFIER (SPRINGS & WASHERS)



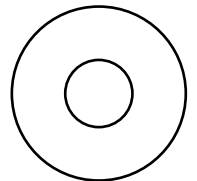
Item #4 (2)



Item #30 (8)

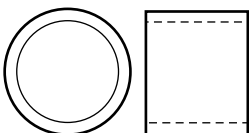


Item #33 (24)

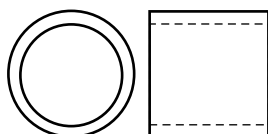


Item #35 (6)

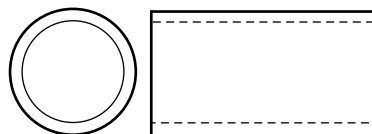
PLASTIC SPACERS



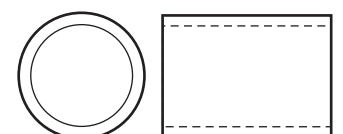
Item #22 (4)



Item #40 (2)



Item #59 (8)



Item #60 (2)

Free Manuals Download Website

<http://myh66.com>

<http://usermanuals.us>

<http://www.somanuals.com>

<http://www.4manuals.cc>

<http://www.manual-lib.com>

<http://www.404manual.com>

<http://www.luxmanual.com>

<http://aubethermostatmanual.com>

Golf course search by state

<http://golfingnear.com>

Email search by domain

<http://emailbydomain.com>

Auto manuals search

<http://auto.somanuals.com>

TV manuals search

<http://tv.somanuals.com>