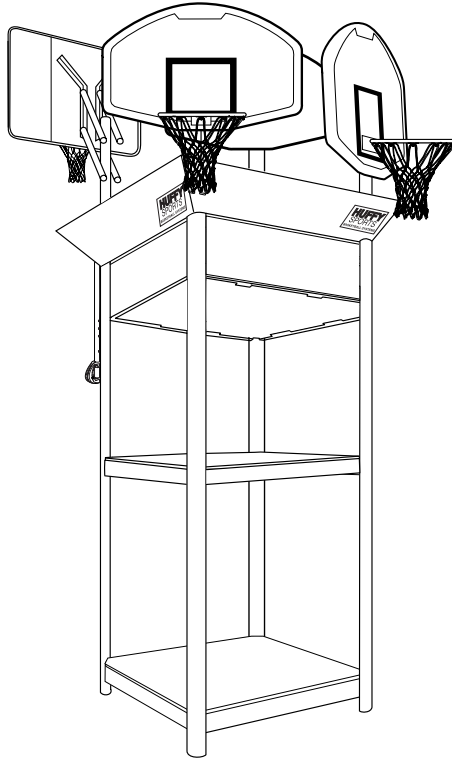


HUFFY® SPORTS

Display System Owners Manual

Customer Service Center

• N53 W24700 South Corporate Circle • Sussex, WI 53089 • U.S.A.



**Model
89226**



! WARNING!

READ AND UNDERSTAND
OPERATOR'S MANUAL
BEFORE USING THIS UNIT.

FAILURE TO FOLLOW
OPERATING INSTRUCTIONS
COULD RESULT IN INJURY
OR DAMAGE TO PROPERTY.

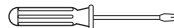
REQUIRED TOOLS AND MATERIALS:



• 2 People

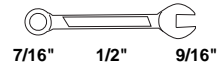


• 2 Stepladders



• Phillips Screwdriver

• (2 each) Wrenches and/or
Socket Wrenches and
Sockets.



AND/OR



IMPORTANT!

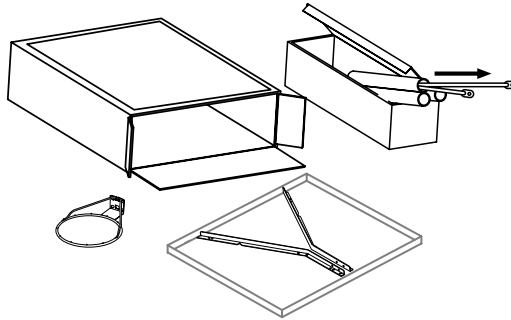
To ensure prompt and correct handling of any problems, or to answer any questions, please contact the Sample and Display Technician at 1-800-558-5234.

NOTICE TO ASSEMBLERS

ALL Huffy Sports Basketball Systems, including those used for DISPLAYS, MUST be assembled and ballasted with sand or water according to the instructions. Failure to follow instructions could result in **SERIOUS INJURY**. It is **NOT** acceptable to devise a makeshift weight system.

IMPORTANT!

Remove all contents from boxes.
Be sure to check inside pole sections;
hardware and additional parts are packed inside.



⚠ SAFETY INSTRUCTIONS ⚠

**FAILURE TO FOLLOW THESE SAFETY INSTRUCTIONS MAY
RESULT IN SERIOUS INJURY,
PROPERTY DAMAGE AND WILL VOID WARRANTY.**

***This unit is intended for display purposes only and
should not be used for play.***

To ensure safety, do not attempt to assemble this system without following the instructions carefully. Check entire box and inside all packing material for parts. Before beginning assembly, read the instructions and identify parts in this document. Proper and complete assembly, use and supervision is essential for proper operation and to reduce the risk of accident or injury. A high probability of serious injury exists if this system is not installed, maintained, and operated properly.

- During assembly, if using a ladder use extreme caution. Two people are recommended for this operation.
- If technical assistance is required, contact Huffy Sports' Sample and Display Technician.
- Serious injury could occur if teeth/face come in contact with backboard, net or rim.
- Display recommended for 3" (7.6 cm) or 3-1/2" (9 cm) Round or 4" (10 cm) Square poles only.
- All instructions and warnings **MUST** accompany any display item that is sold.

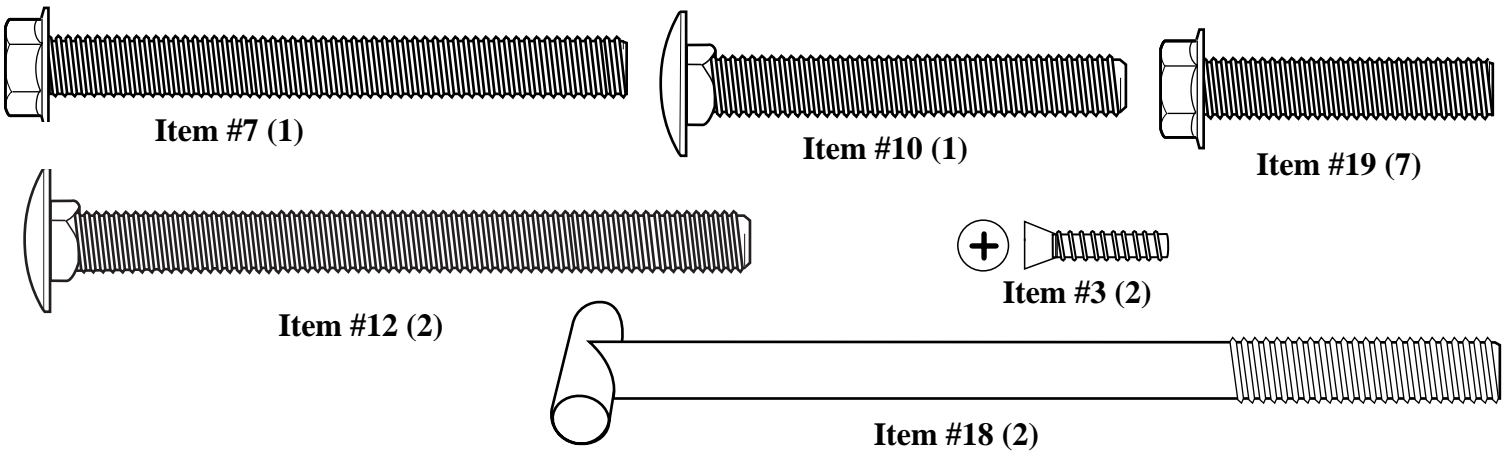
*Most injuries are caused by misuse and/or not following
instructions.*

Use caution when installing this unit.

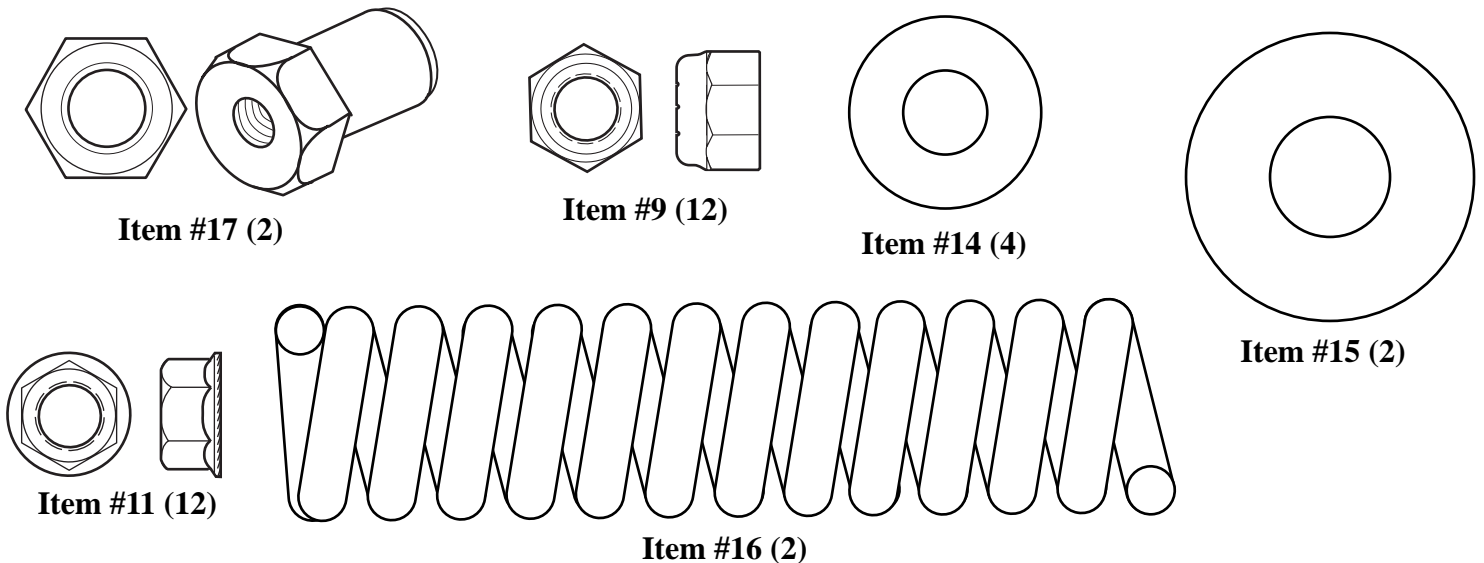
PARTS LIST (See Hardware Identifier)

Item Qty.	Part No.	Description	Item Qty.	Part No.	Description		
1	3	200318	Bracket, Reinforcement S/J	19	7	203798	Bolt, Hex 5/16-18 x 1.5"
2	1	200503	P/S Cover	20	4	204290	Net
3	2	200520	Screw, #8 x 3/4", Flat Hd, Phillips	21	1	206219	Pole Cap, 3"
4	2	200533	Spacer, Mounting	22	3	207103	Pole Cap, 3.5"
5	48	201219	Net Clips	23	2	900033	Bracket, S/J
6	3	201344	Plastic Knob	24	1	900060	Pole, 3"
7	12	201611	Bolt, Hex-Flange, 5/16-18 x 3"	25	4		Rim
8	1	202795	NBA Sticker	26	1	900253	Bracket, Pole Mount, No Tools
9	12	203063	Locknut, 3/8-16 Nylon Insert	27	7	206987	Wedge
10	1	203157	Bolt, Carriage, 5/16-18 x 2.25"	28	1	909256	Board, 48", Fan, Viper
11	12	203100	Nut, Hex-Flange 5/16-18 Whiz Lock	29	1	909259	Board, 44", Fan, Evolution, NT
12	2	203231	Bolt, Carriage, 5/16-18 x 3.5"	30	1	909602	Board, 44", Fan, Zone Attack
13	6	203294	Bolt, U, Round, 3/8-16 x 3.5"	31	3	912006	Extension Arm
14	4	203309	Washer	32	1	939235	Board, 48", SFA, Titanium II
15	2	203470	Washer, Flat, S/J	33	3	990062	Pole, 3.5"
16	2	203472	Spring	34	1	204516	Pole Sleeve
17	2	203795	Nut, 3/8-16 Special S/J				
18	2	203796	T-bolt, 3/8-16 x 5"				

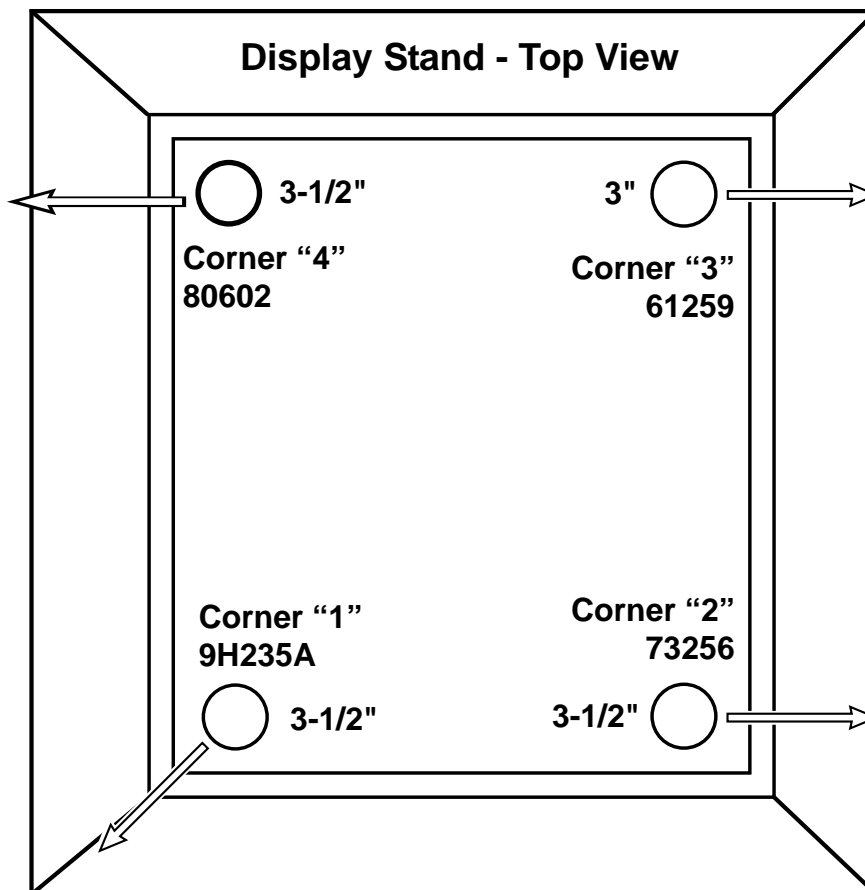
HARDWARE IDENTIFIER (BOLTS & SCREWS)



HARDWARE IDENTIFIER (NUTS, WASHERS & SPRINGS)



Install display boards in the marked locations. Each mounting location consists of a mounting pole stub with the following dimensions: Height = 8", O.D. = 3 3/8", I.D. = 3 1/8" (arrows indicate direction the board is facing).



Display boards will be mounted as follows:

Corner Location 1: 9H235A

- 48" SFA Board
- Titanium II Logo
- Black Slam Jam Goal with Cover
- Use extension arm for assembly

Corner Location 2: 73256

- 48" Fan Recycled Board
- Viper Logo
- Black Slam Jam Goal
- Use extension arm for assembly

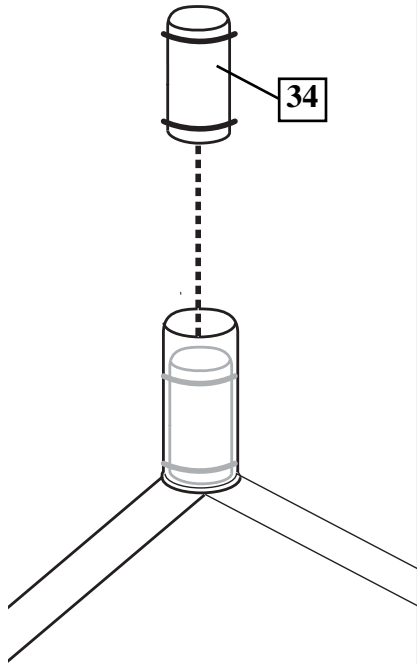
Corner Location 3: 61259

- 44" Fan Recycled Board
- Evolution Logo
- Black Standard Goal
- No Tools, E3 Elevator System

Corner Location 4: 80602

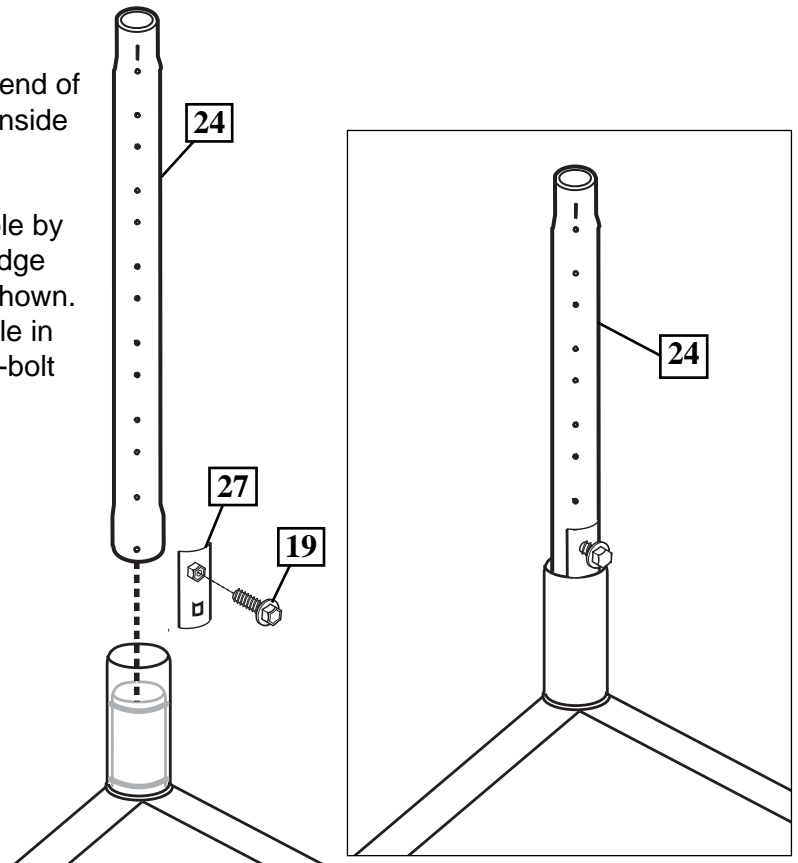
- 44" Fan Recycled Board
- Zone Attack Logo
- Black Standard Goal
- Use extension arm for assembly

1a. At corner location 3 slide the pole sleeve (34) *inside* the mounting stub.

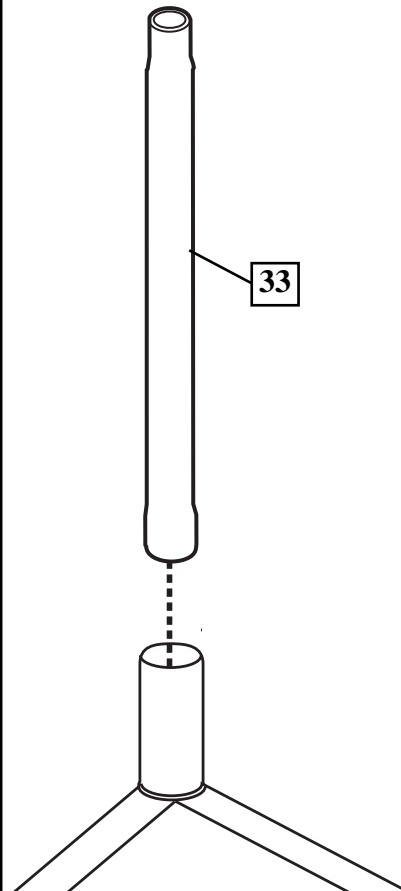


1b. Slide the 3" diameter end of the display pole (24) inside the pole sleeve.

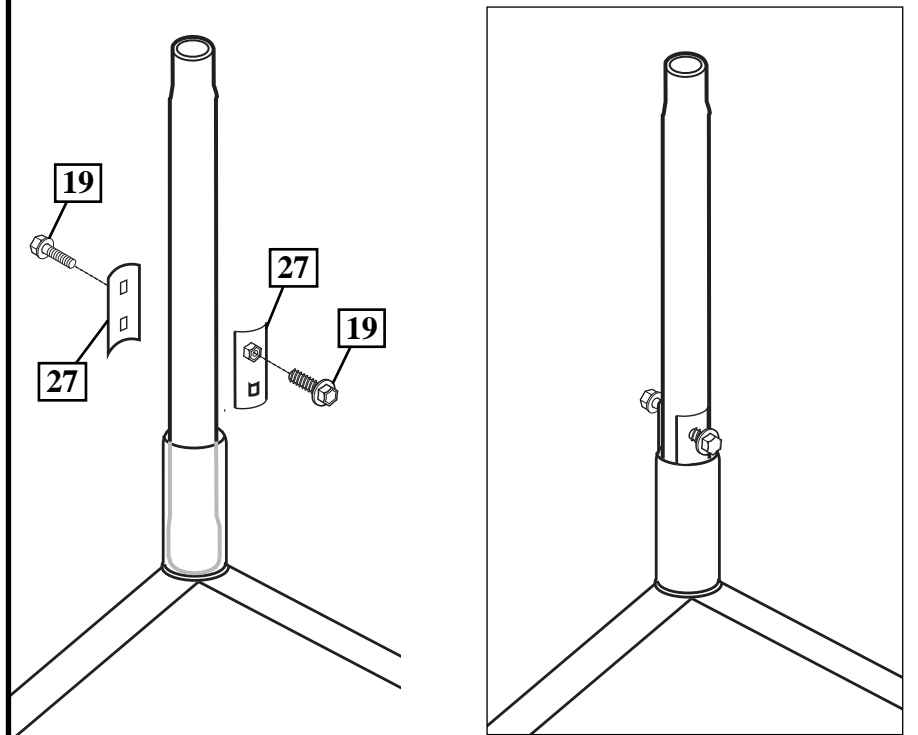
Secure the display pole by sliding the display wedge (27) into position as shown. To lock the display pole in place, tighten the hex-bolt (19).



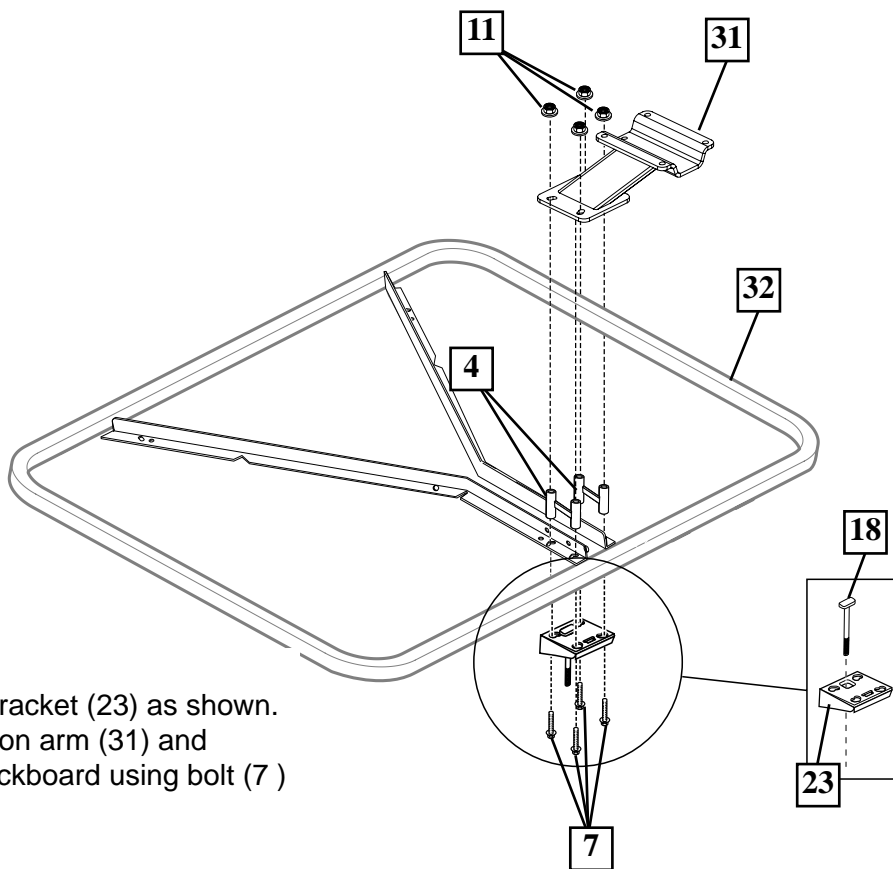
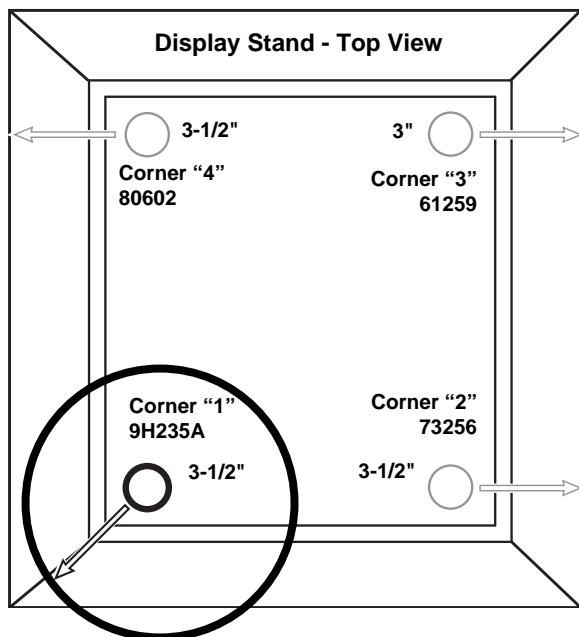
2a. At corner location 1, 2 and 4 slide the 3-1/2" diameter end of the display pole (33) *inside* the mounting stubs.



2b. Secure the display pole by sliding the display wedge (27) into position as shown. To lock the display pole in place, tighten the hex-bolt (19).

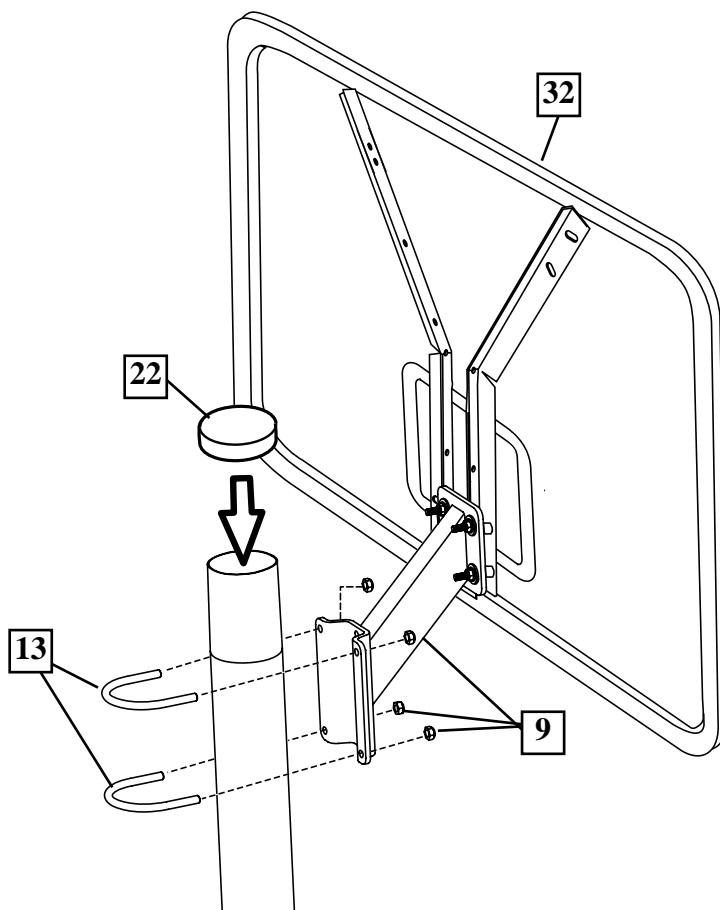


Corner Location 1: STEEL FRAME ACRYLIC BACKBOARD ASSEMBLY



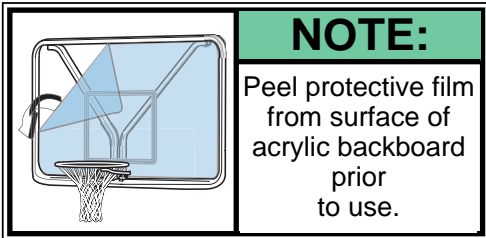
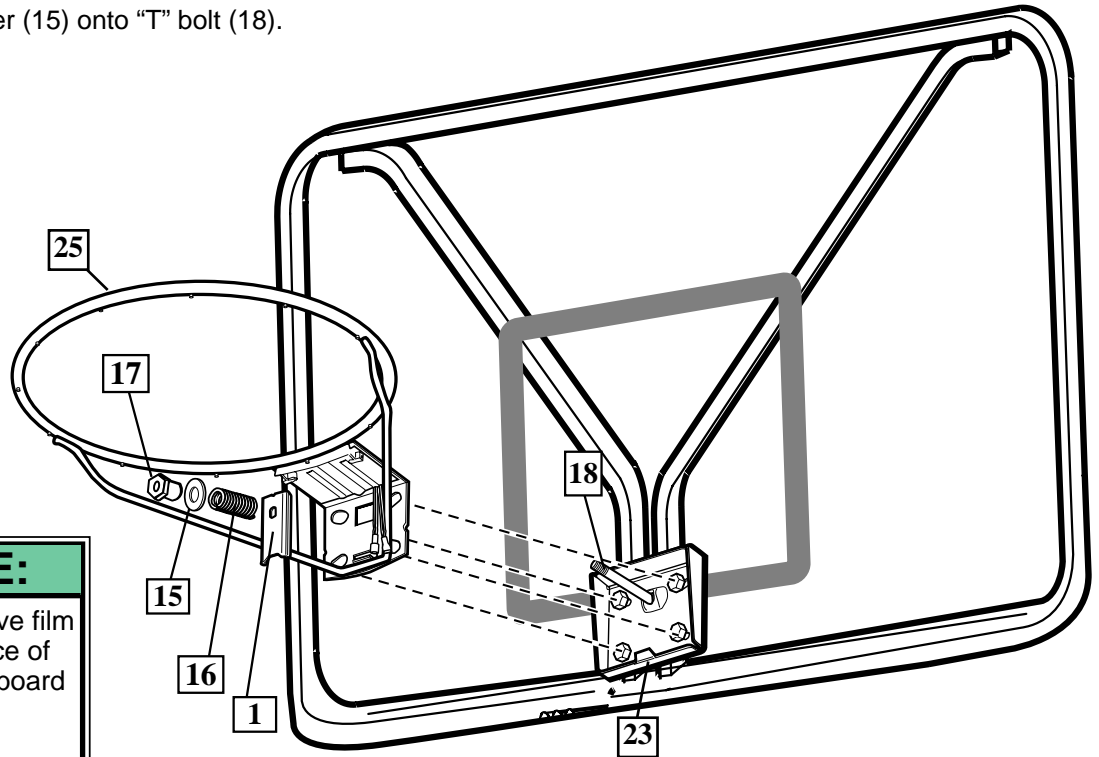
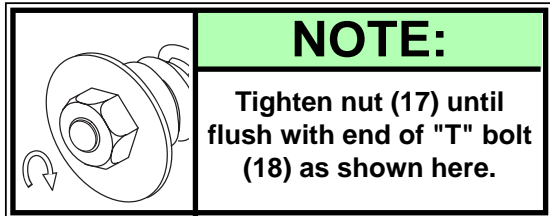
1. Insert "T" bolt (18) through Slam Jam bracket (23) as shown. Secure Slam Jam bracket (23), extension arm (31) and mounting spacers (4) assemblies to backboard using bolt (7) and nut (11) as shown.

2. Attach board assembly to pole.



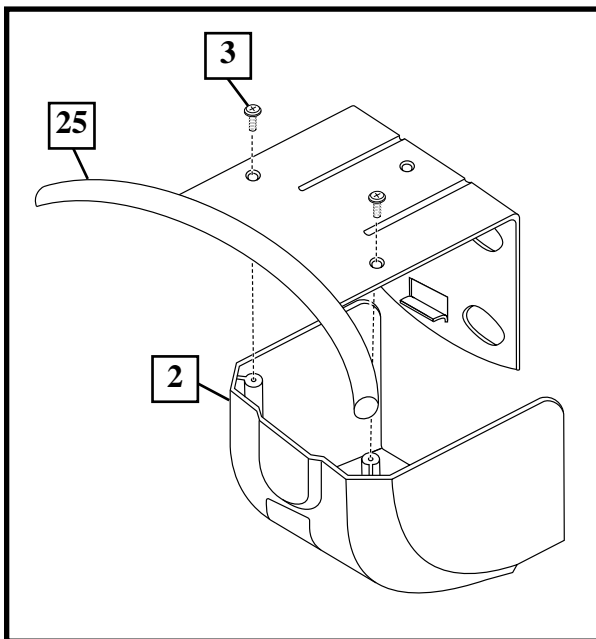
3.

- Fit rim (25) securely into bracket (23) as shown.
- Install reinforcement bracket (1) onto "T" bolt (18) as shown.
- Install spring (16) onto "T" bolt (18) as shown.
- Install special nut (17) and washer (15) onto "T" bolt (18).



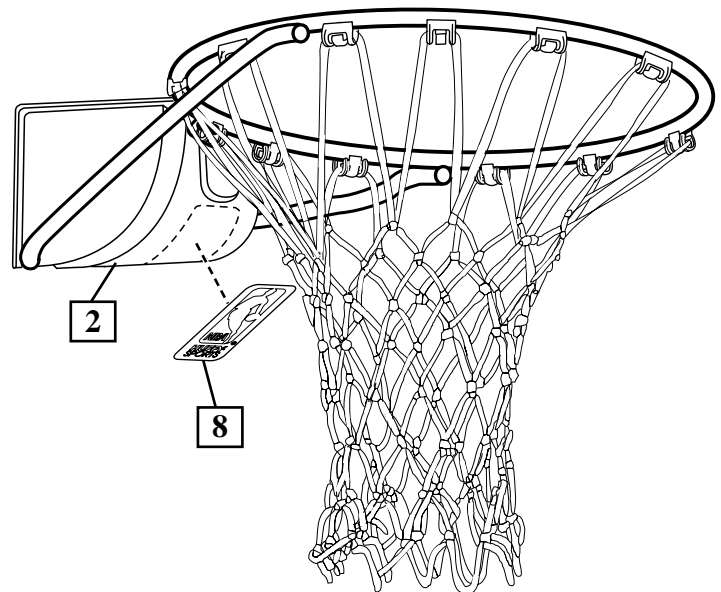
4.

Attach cover (2) to rim using screws (3).

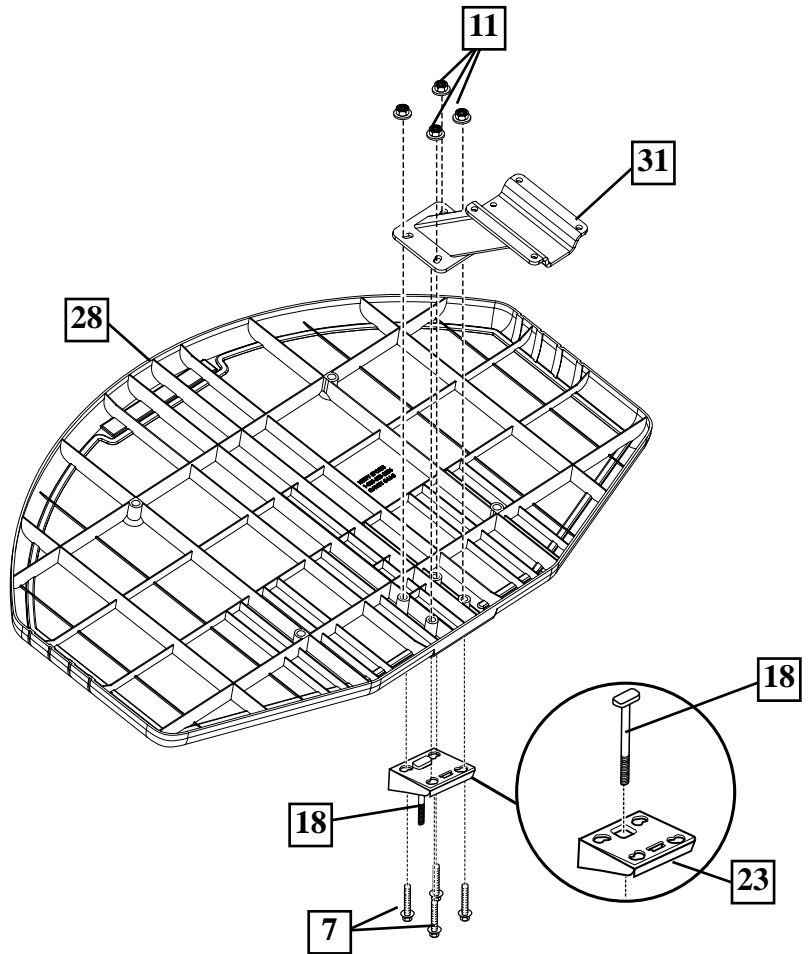
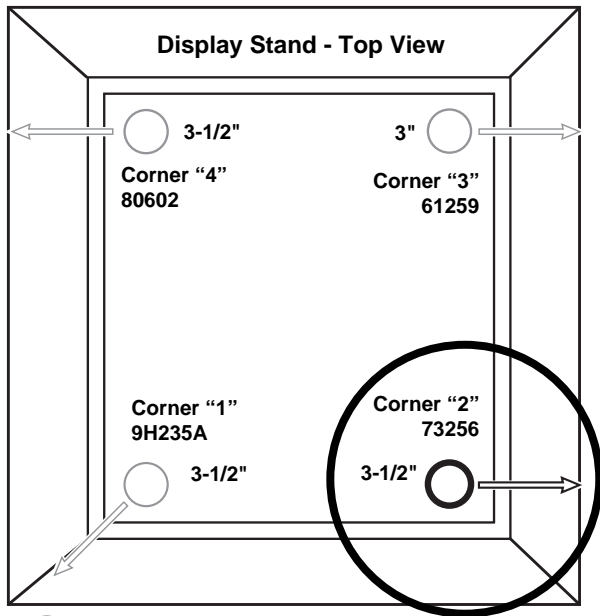


5.

Apply logo label (8) to rim cover (2).



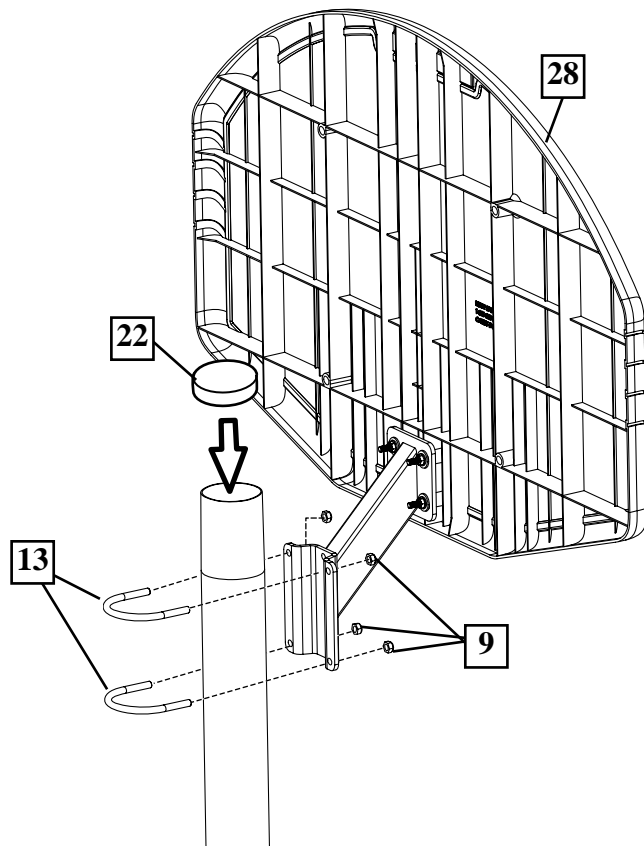
Corner Location 2: 48" FAN MOLDED PLASTIC BOARD ASSEMBLY



1. Insert "T" bolt (18) through Slam Jam bracket (23) as shown. Secure Slam Jam bracket (23) and extension arm (31) to backboard using bolt (7) and nut (11) as shown.

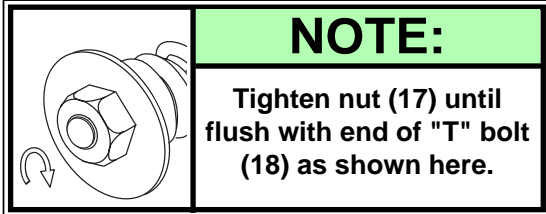
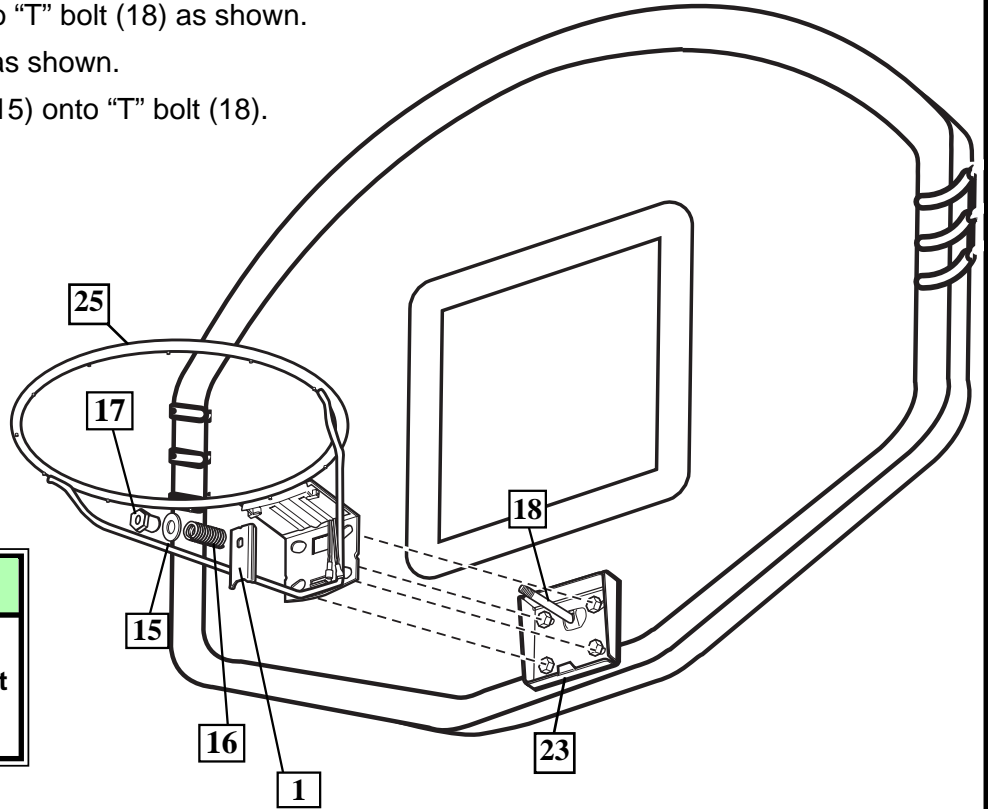
Tighten completely.

2. Attach board assembly to pole.



3.

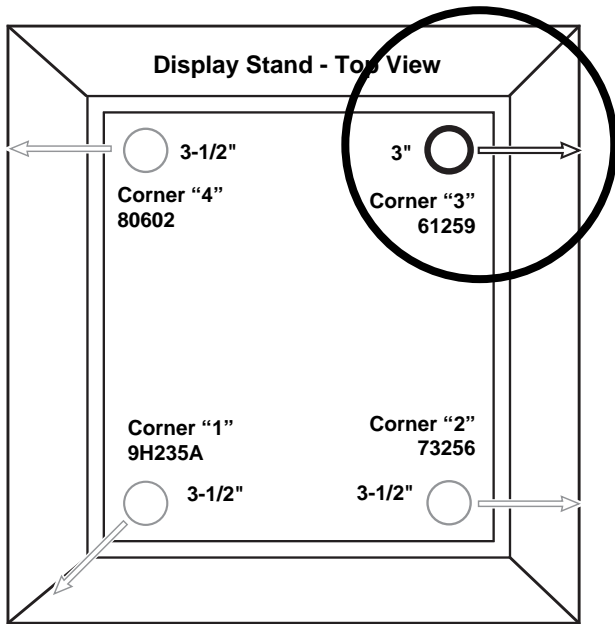
- Fit rim (25) securely into bracket (23) as shown.
- Install reinforcement bracket (1) onto "T" bolt (18) as shown.
- Install spring (16) onto "T" bolt (18) as shown.
- Install special nut (17) and washer (15) onto "T" bolt (18).



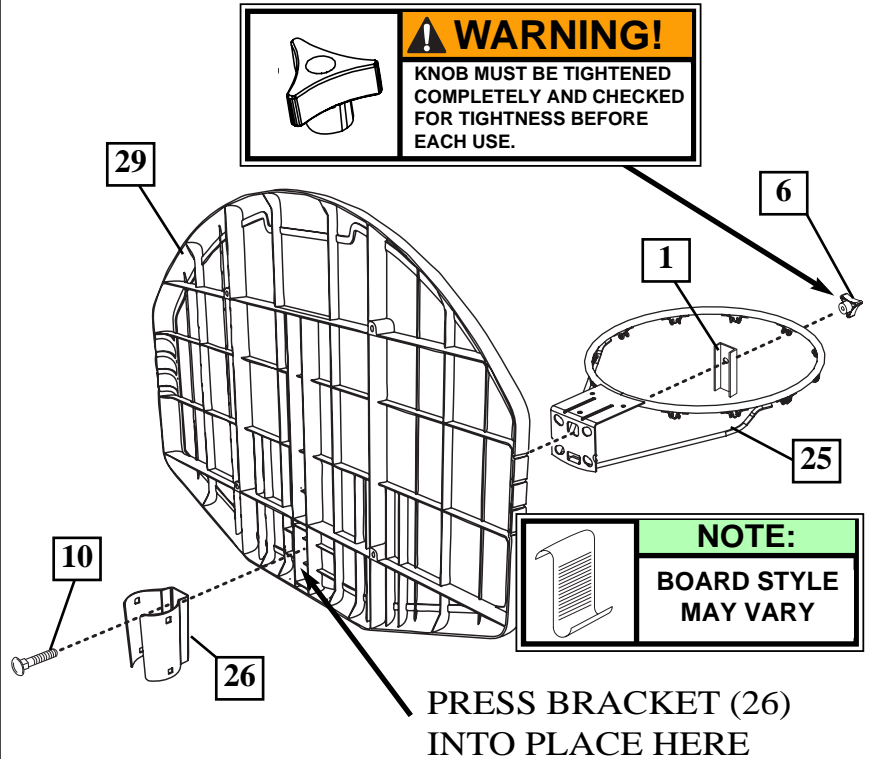
NOTE:

Tighten nut (17) until flush with end of "T" bolt (18) as shown here.

Corner Location 3: 44" FAN MOLDED PLASTIC BOARD ASSEMBLY

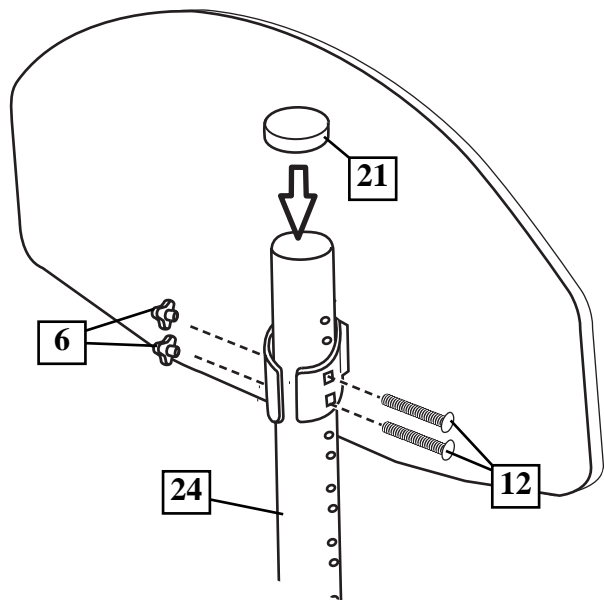


1. Pole bracket will need to be lightly pressed into backboard ribbing. Be sure to press completely into place. Attach rim (25) to backboard and pole bracket (26) with knob (6), reinforcement bracket (1), and carriage bolt (10) as shown. Tighten knob completely.

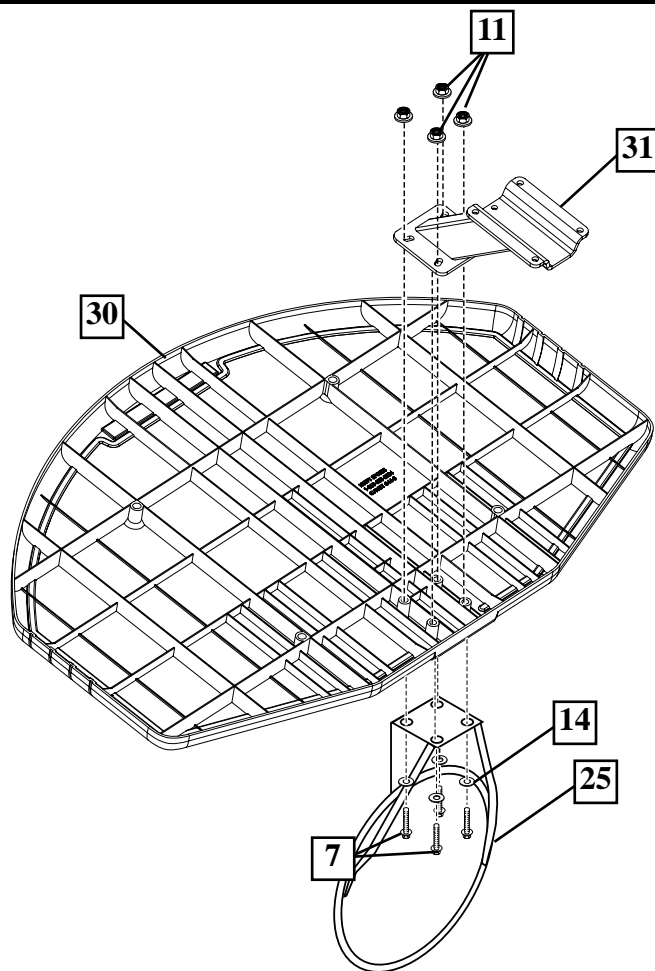
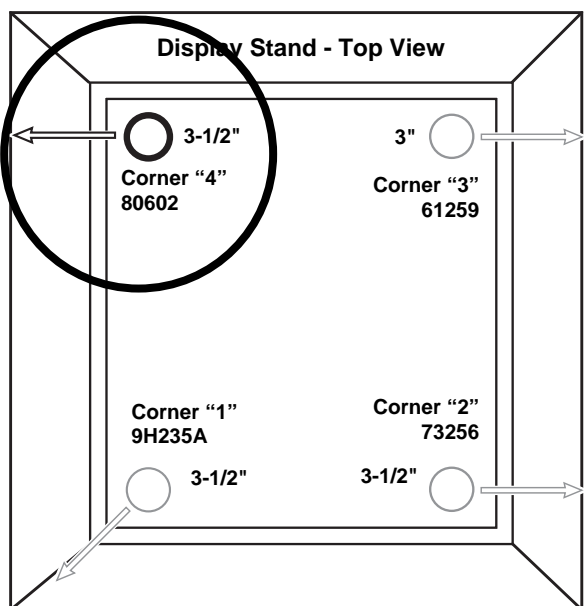


2.

Attach board assembly to pole with carriage bolts (12) and knobs (6) as shown. Install pole cap (21) as shown.



Corner Location 4: 44" FAN MOLDED PLASTIC BOARD ASSEMBLY

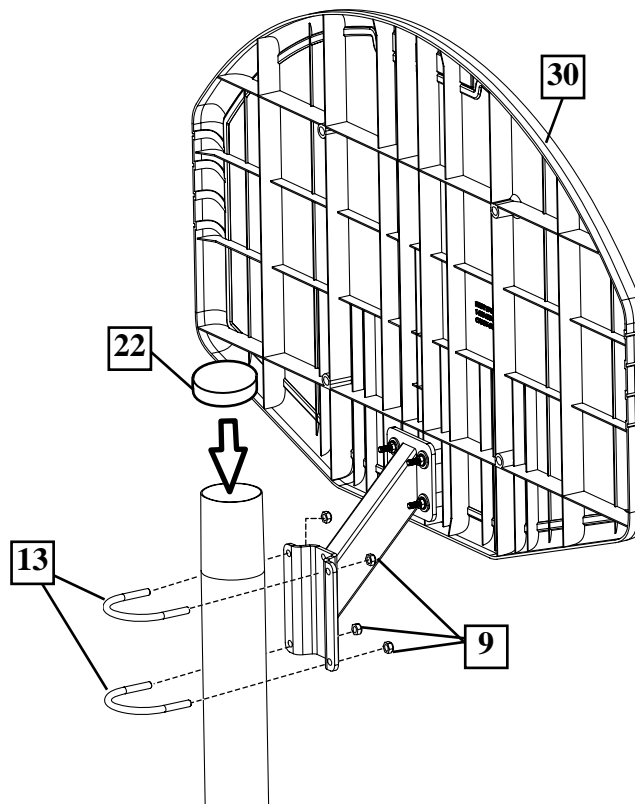


1. Attach rim (25) to backboard (30) and extension arm (31) with bolts (7), washers (14) and nuts (11).

Tighten completely.

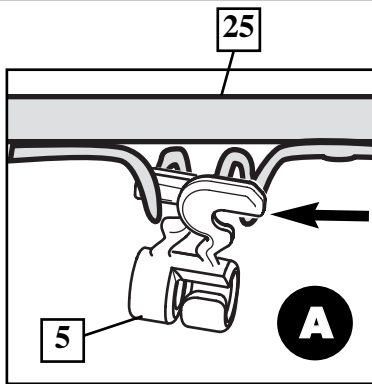
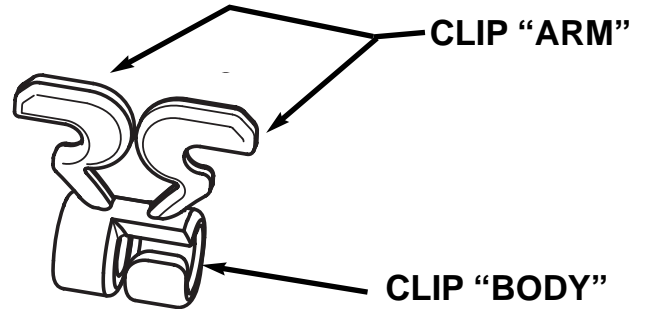
2. Attach board assembly to pole.

	WARNING!
	<p>TWO PEOPLE REQUIRED FOR THIS PROCEDURE. FAILURE TO FOLLOW THIS WARNING COULD RESULT IN SERIOUS INJURY AND/OR PROPERTY DAMAGE.</p>

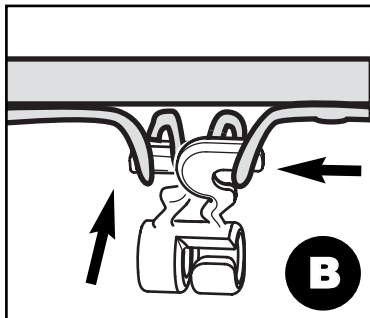


11. Install net clips.

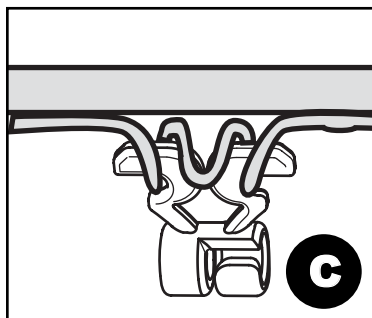
	! WARNING!
	USE OF THIS PRODUCT WITHOUT PROPER INSTALLATION OF SMART CLIPS®, OR WHEN ALL SMART CLIPS® ARE NOT PRESENT COULD RESULT IN BODILY HARM. BE SURE TO FOLLOW DIRECTIONS CAREFULLY.



Insert one "arm" of clip into ram as shown. Twist "body" of clip slightly so that second "arm" slides over the top of the first "arm" as shown.
Push in direction indicated by arrows.

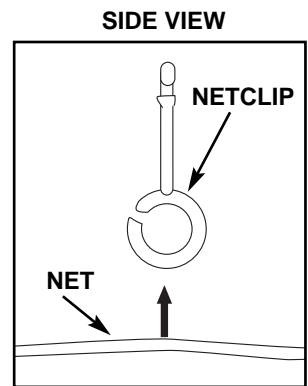
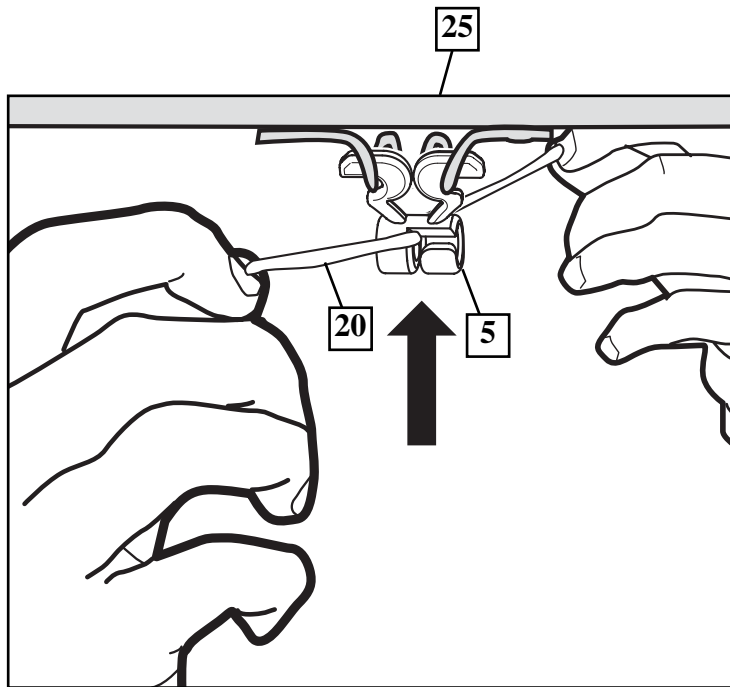


Push second "arm" back and into ram as shown.

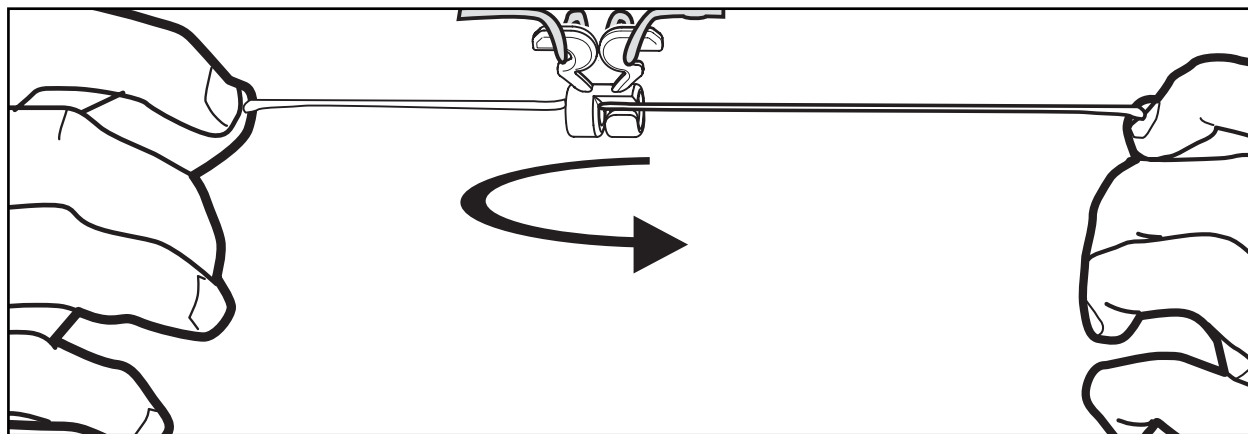


Twist "body" of clip slightly again to spread "arms" of clip. Clip "arms" must be flat and touching edge to edge as shown, not overlapping.

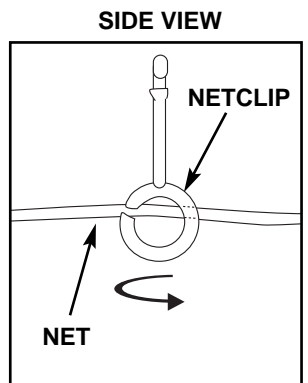
12. Install net.



Insert net into bottom of clip as shown.



Twist net until it snaps into position.
Net must be centered through clip.



Free Manuals Download Website

<http://myh66.com>

<http://usermanuals.us>

<http://www.somanuals.com>

<http://www.4manuals.cc>

<http://www.manual-lib.com>

<http://www.404manual.com>

<http://www.luxmanual.com>

<http://aubethermostatmanual.com>

Golf course search by state

<http://golfingnear.com>

Email search by domain

<http://emailbydomain.com>

Auto manuals search

<http://auto.somanuals.com>

TV manuals search

<http://tv.somanuals.com>