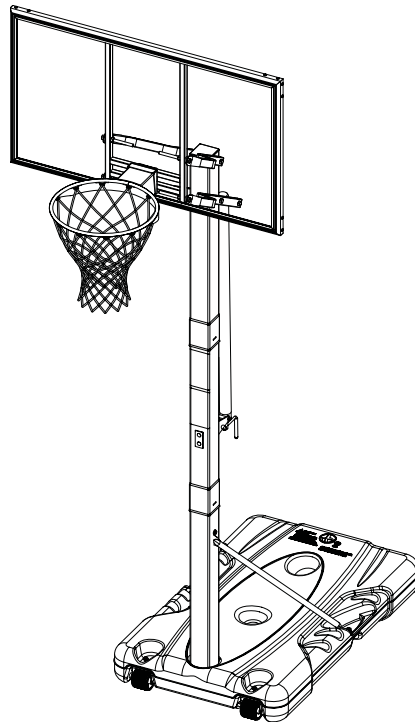


Portable System Owners Manual

Customer Service Center

• N53 W24700 South Corporate Circle • Sussex, WI 53089 • U.S.A.



Adult Assembly Required.

This manual, accompanied by sales receipt, should be saved and kept on hand as a convenient reference, as it contains important information about your model.



WARNING!

READ AND UNDERSTAND
OPERATOR'S MANUAL
BEFORE USING THIS UNIT.

FAILURE TO FOLLOW
OPERATING
INSTRUCTIONS COULD
RESULT IN INJURY OR
DAMAGE TO PROPERTY.



**Write Model Number
From Box Here:**

REQUIRED TOOLS AND MATERIALS:



• 2 Capable Adults



• Tape Measure



• Wood Board (scrap)



• Sawhorse or Support Table



• Hammer



• Step Ladder 8 ft. (2.4m)



• Safety Glasses

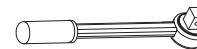
• (2 each) Wrenches



1/2" 9/16" 3/4"

AND/OR

(2) Socket Wrenches and Sockets



1/2" 9/16" 3/4"

• Extension



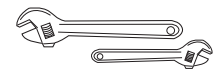
• Phillips-Head Screwdriver



• Garden Hose or Sand



• Optional: Large & Small
Adjustable Wrenches



Toll-Free Customer Service Number for U.S.: 1-800-558-5234,

For Canada: 1-800-284-8339,

For Europe: 00 800 555 85234 (Sweden: 009 555 85234),

For Australia: 1-800-632 792

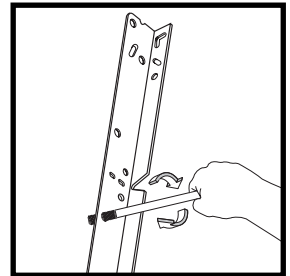
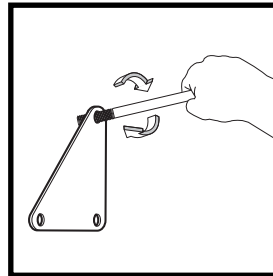
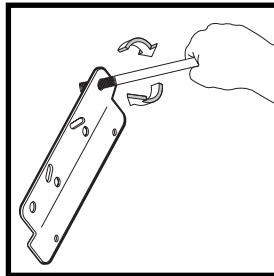
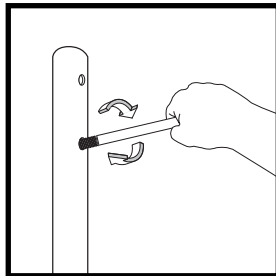
Internet Address: www.huffysports.com

www.spalding.com

BEFORE YOU START

To ensure optimal playability of backboard system, a close tolerance fit between the elevator components and hardware is required. Test-fit large bolts into large holes of elevator tubes, backboard brackets, and triangle plates. Carefully rock them in a circular motion to ream out any excess paint from holes if necessary.

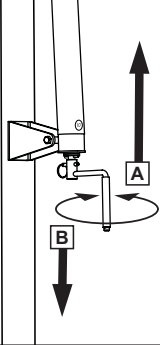
NOTE: Not all items pictured are included with every model.



HEIGHT ADJUSTMENT

Rotate crank handle to raise and lower backboard.

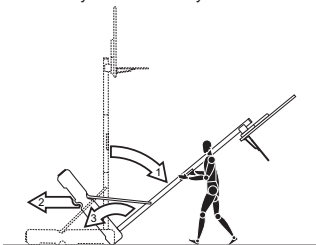
Do not over crank handle beyond the manufactured height indicator range of 7-1/2 - 10 feet. Damage may be caused to the screw jack's internal adjustment mechanism if adjusted over 10 or under 7-1/2 feet.



33

MOVING SYSTEM

1. While holding pole, rotate basketball system forward until wheels engage with ground.
2. Move basketball system to desired location.
3. Carefully rotate basketball system upright.
4. Check system for stability.



568090 11/06

! WARNING

Read and understand warnings listed below before using this product.

Failure to follow these warnings may result in serious injury and/or property damage.

Owner must ensure that all players know and follow these rules for safe operation of the system.

- DO NOT HANG on the rim or any part of the system including backboard, support braces or net.
- During play, especially when performing dunk type activities, keep player's face away from the backboard, rim and net. Serious injury could occur if teeth/face come in contact with backboard, rim or net.
- Do not slide, climb, shake or play on base and/or pole.
- After assembly is complete, fill system completely with water or sand. Never leave system in an upright position without filling base with weight, as system may tip over causing injuries.
- When adjusting height or moving system, keep hands and fingers away from moving parts.
- Do not allow children to move or adjust system.
- During play, do not wear jewelry (rings, watches, necklaces, etc.). Objects may entangle in net.
- Surface beneath the base must be smooth and free of gravel or other sharp objects. Punctures cause leakage and could cause system to tip over.
- Keep organic material away from pole base. Grass, litter, etc. could cause corrosion and/or deterioration.
- Check pole system for signs of corrosion (rust, pitting, chipping) and repaint with exterior enamel paint. If rust has penetrated through the steel anywhere, replace pole immediately.
- Check system before each use for proper ballast, loose hardware, excessive wear and signs of corrosion and repair before use.
- Check system before each use for instability.
- Do not use system during windy and/or severe weather conditions; system may tip over. Place system in the storage position and/or in an area protected from the wind and free from personal property and/or overhead wires.
- Never play on damaged equipment.
- When moving system, use caution to keep mechanism from shifting.
- Keep pole top covered with cap at all times.
- Do not allow water in tank to freeze. During sub-freezing weather add 2 gallons of non-toxic antifreeze, sand or empty tank completely and store. (Do not use salt.)
- While moving system, do not allow anyone to stand or sit on base or have added ballasting on base.
- Do not leave system unsupervised or play on system when wheels are engaged for moving.
- Use Caution when moving system across uneven surfaces. System may tip over.
- Use extreme caution if placing system on sloped surface. System may tip over more easily.
- See instruction manual for proper installation and maintenance.

© 2006 SPALDING
USA
© Canada 1-800-244-8777

© 2006 HYDRA-RIB
USA

© 2006 RUSSELL
ATHLETIC

© 2006 SURE SHOT
USA

© 2006 HUFFY SPORTS
USA

(E) 558782 01/06

NOTICE TO ASSEMBLERS

Adult Assembly Required. Dispose of ALL packaging materials promptly. As with all products, periodically inspect for loose small parts.

Assembled unit MUST be filled with sand or water at ALL times.

ALL basketball systems, including those used for DISPLAYS, MUST be assembled and installed according to instructions. Failure to follow instructions could result in SERIOUS INJURY. It is NOT acceptable to devise a makeshift support system.



SAFETY INSTRUCTIONS



FAILURE TO FOLLOW THESE SAFETY INSTRUCTIONS MAY RESULT IN SERIOUS INJURY OR PROPERTY DAMAGE AND WILL VOID WARRANTY.

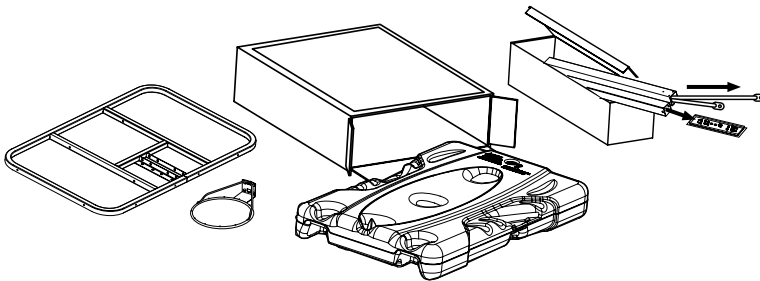
Owner must ensure that all players know and follow these rules for safe operation of the system.

To ensure safety, do not attempt to assemble this system without following the instructions carefully. Check entire box and inside all packing material for parts and/or additional instruction material. Before beginning assembly, read the instructions and identify parts using the hardware identifier and parts list in this document. Proper and complete assembly, use, and supervision are essential for proper operation and to reduce the risk of accident or injury. A high probability of serious injury exists if this system is not installed, maintained, and operated properly.

- If using a ladder during assembly, use extreme caution.
- Check base regularly for leakage. Slow leaks could cause the system to tip over unexpectedly
- Seat the pole sections properly (if applicable). Failure to do so could allow the pole sections to separate during play and/or during transport of the system.
- Climate, corrosion or misuse could result in system failure.
- If technical assistance is required, contact Customer Service.
- Minimum operational height is 6'-6" (1.98m) to the bottom of backboard.

Most injuries are caused by misuse and/or not following instructions.

Use caution when using this unit.



Questions or Missing Parts?

DON'T go back to store!

Call TOLL-FREE Customer Service
Number listed on the front page!

IMPORTANT!

Remove all contents from boxes.
Be sure to check inside pole sections,
hardware and additional parts are packed inside.

PRODUCT REGISTRATION:

Please remember to complete your product registration form on-line at:
www.huffysports.com/customer_support/product_registration.



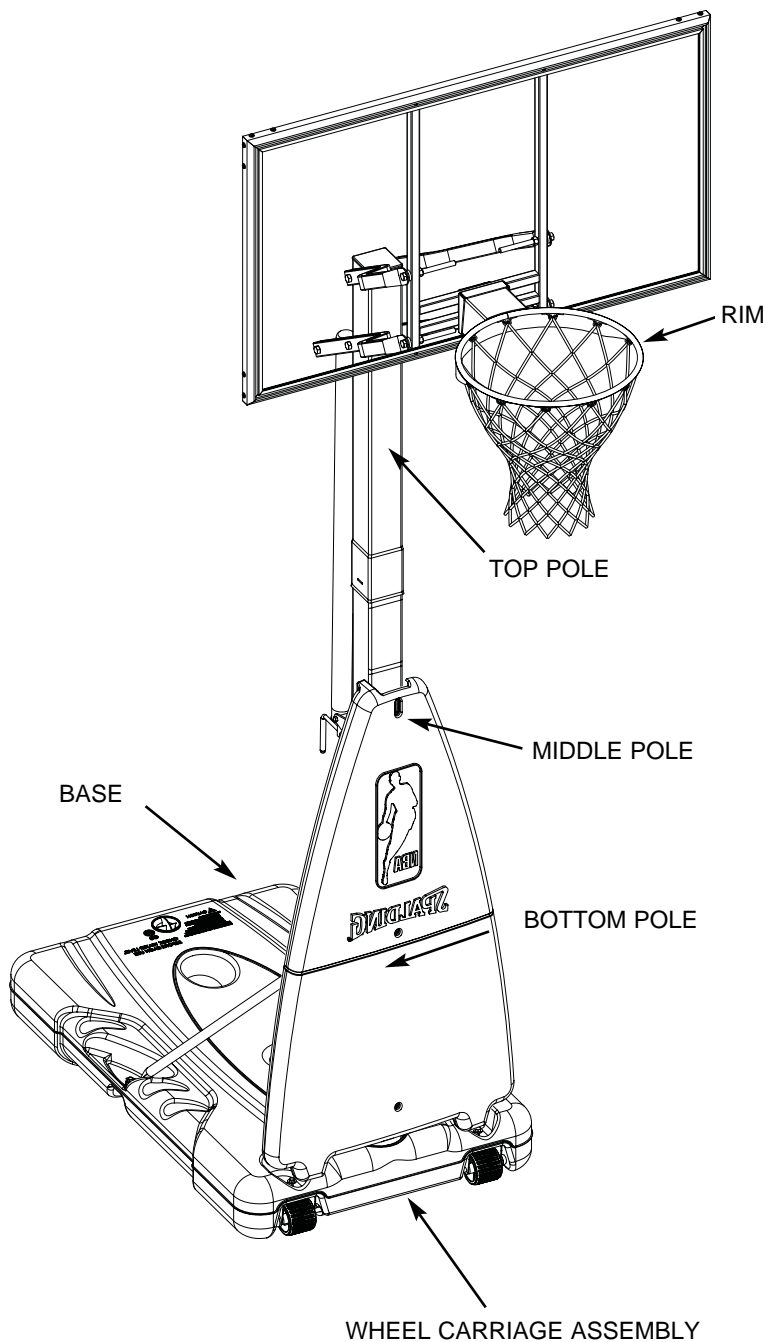
WARNING!



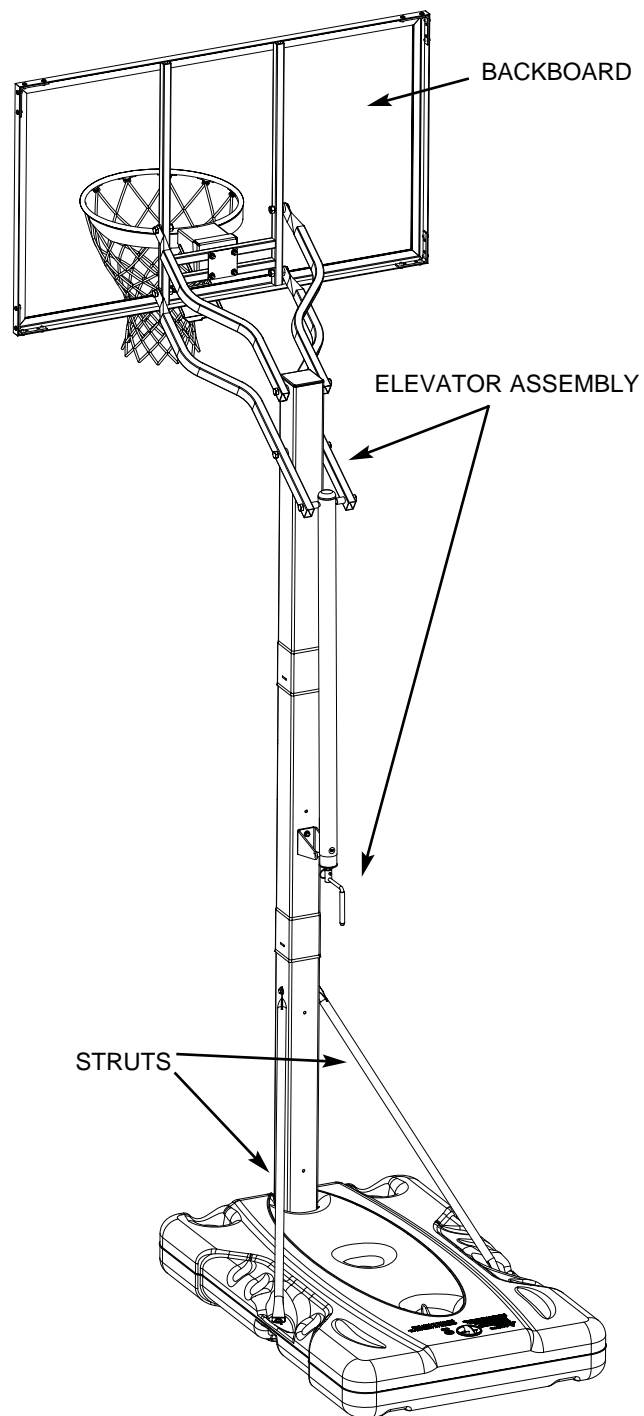
IF YOUR SYSTEM IS EQUIPPED WITH AN ACRYLIC BACKBOARD, EXAMINE BACKBOARD FOR ANY DAMAGE THAT MAY HAVE OCCURRED DURING SHIPMENT. CRACKS IN THE BACKBOARD COULD RESULT IN SUDDEN BREAKAGE. IF BACKBOARD IS DAMAGED IN ANY WAY PRIOR TO OR AFTER ASSEMBLY, CALL TOLL-FREE NUMBER:
U.S. 1-800-558-5234; CANADA: 1-800-284-8339; <http://www.huffysports.com>

Get to know the basic parts of your basketball system...

FRONT




BACK



PARTS LIST - See Hardware Identifier

<input checked="" type="checkbox"/> <u>Item</u>	<u>Qty.</u>	<u>Part No.</u>	<u>Description</u>		<input checked="" type="checkbox"/> <u>Item</u>	<u>Qty.</u>	<u>Part No.</u>	<u>Description</u>
<input type="checkbox"/> 1	1	600053	Tank		<input type="checkbox"/> 28	1	908355	Cover Plate, Rim
<input type="checkbox"/> 2	2	906410	Strut, Pole to Base		<input type="checkbox"/> 29	3	205678	Bolt, Hex Head, 1/2-13 x 7 Long
<input type="checkbox"/> 3	1	800344	Screw Jack Assembly		<input type="checkbox"/> 30	8	201651	Spacer, Plastic, .530 I.D. x .25 Long
<input type="checkbox"/> 4	1	FR908402	Top Pole Section		<input type="checkbox"/> 31	7	206340	Lock Nut, Hex 1/2-13
<input type="checkbox"/> 5	1	FR908401	Middle Pole Section		<input type="checkbox"/> 32	2	908412	Elevator Tube, Lower - Long
<input type="checkbox"/> 6	1	FR908403	Bottom Pole Section		<input type="checkbox"/> 33	1	568090	Label, Height Adjustment and Moving
<input type="checkbox"/> 7	2	800332	Wheel Bracket				FR568090	Label, French
<input type="checkbox"/> 8	2	600056	Wheel, 3.5"		<input type="checkbox"/> 34	1		Rim
<input type="checkbox"/> 9	1	108306	Rod, Axle		<input type="checkbox"/> 35	2	908411	Elevator Tube, Upper - Short
<input type="checkbox"/> 10	2	203099	Nut, Ny-lock, 5/16-18		<input type="checkbox"/> 36	2	202587	Spacer, .530 I.D. x 1" Long
<input type="checkbox"/> 11	1	600062	Cap, Cover, Height Indicator		<input type="checkbox"/> 37	1	203470	Washer, Flat, .625 I.D. x .1.5 O.D.
<input type="checkbox"/> 12	1	202662	Bolt, Hex Head, 5/16-18 x 4-1/2 Long		<input type="checkbox"/> 38	1	600052	Cap, Pole Top
<input type="checkbox"/> 13	2	206938	Pushnut, 7/16 Shaft Diameter		<input type="checkbox"/> 39	2	204558	Screw, 1/4 x .375 Long
<input type="checkbox"/> 14	8	203100	Hex Flange Nut 5/16-18		<input type="checkbox"/> 40	2	205528	Bolt, Hex Flange, 5/16-18 x 1 Long
<input type="checkbox"/> 15	1	908415	Bracket, Pole Mount		<input type="checkbox"/> 41	1	600049	Cap, Base
<input type="checkbox"/> 16	2	204846	Carriage Bolt, 5/16-18 x 4.5 Long		<input type="checkbox"/> 42	1	206989	Reinforcement Bracket
<input type="checkbox"/> 17	1	600058	Cover, Upper Tube		<input type="checkbox"/> 43	1		Net
<input type="checkbox"/> 18	6	203153	Bolt, Hex Head, 5/16-18 x .75 Long		<input type="checkbox"/> 44	1	900033	Bracket, Slam Jam
<input type="checkbox"/> 19	1	108181	Plate, Pole Mounting		<input type="checkbox"/> 45	1	203796	Bolt, Tee, 3/8-16, 5" Long
<input type="checkbox"/> 20	1	201518	Bolt, Hex Head, 5/16-18 x 2.75 Long		<input type="checkbox"/> 46	1	200318	Bracket, Reinforcement, Slam Jam
<input type="checkbox"/> 21	1	700009	Handle, Elevator Assembly		<input type="checkbox"/> 47	1	203472	Spring, Rim
<input type="checkbox"/> 22	1	202528	Pin, Actuator Assembly		<input type="checkbox"/> 48	1	203795	Nut, Special, 3/8-16
<input type="checkbox"/> 23	4	205679	Bolt, Hex Head, 1/2-13 x 2 Long		<input type="checkbox"/> 49	2	205842	Washer, Flat, .344 I.D. x .1.5 O.D.
<input type="checkbox"/> 24	8*	203218	Washer, Flat, 5/16					
<input type="checkbox"/> 25	2	203679	Bolt, Hex Head, 3/8-16 x 2 Long					
<input type="checkbox"/> 26	4	203104	Bolt, Hex Head, 5/16-18 x 2 Long					
<input type="checkbox"/> 27	1	908416	Plate					

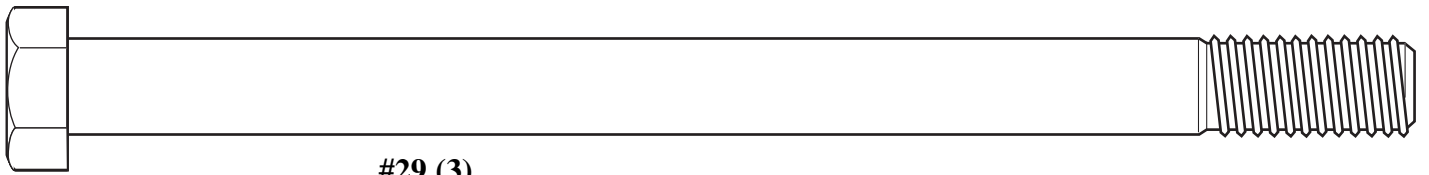
* YOU MAY HAVE EXTRA PARTS WITH THIS MODEL.



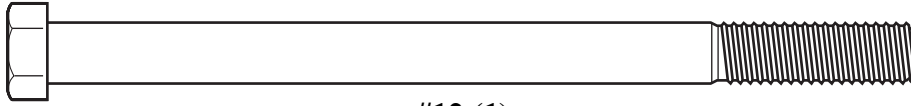
NOTE

Hardware kit is designed for more than one style of basketball system. Not all hardware will be used.

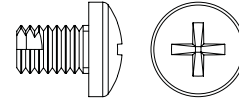
HARDWARE IDENTIFIER (BOLTS & SCREWS)



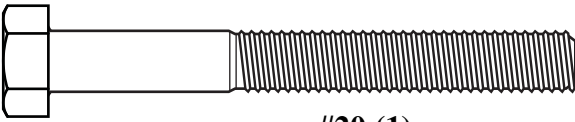
#29 (3)



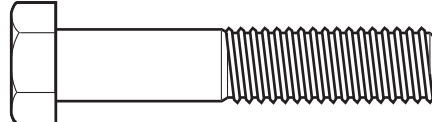
#12 (1)



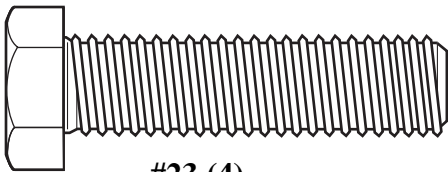
#39 (2)



#20 (1)



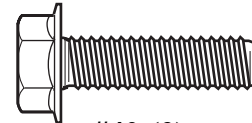
#25 (2)



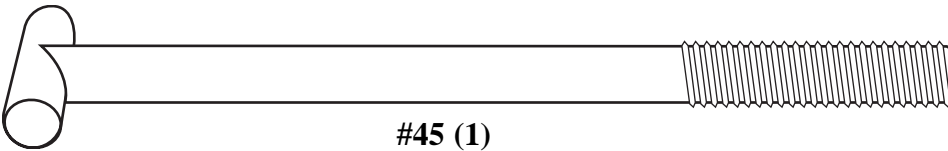
#23 (4)



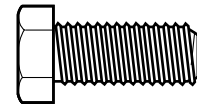
#26 (4)



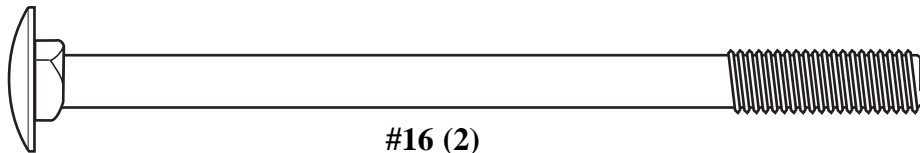
#40 (2)



#45 (1)



#18 (6)

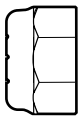


#16 (2)

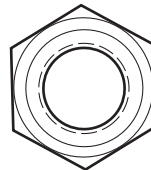
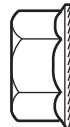
HARDWARE IDENTIFIER (NUTS & WASHERS)



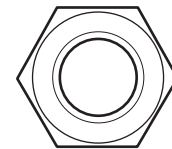
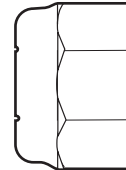
#10 (2)



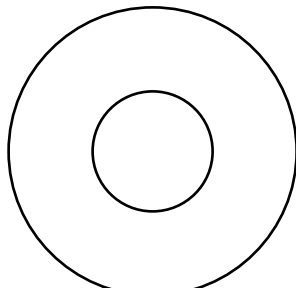
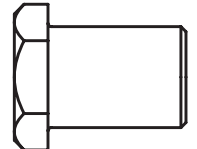
#14 (8)



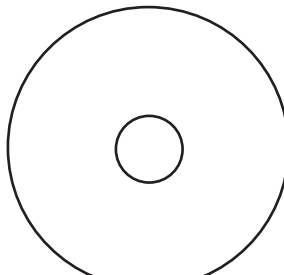
#31 (7)



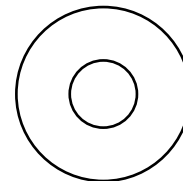
#48 (1)



#37 (1)



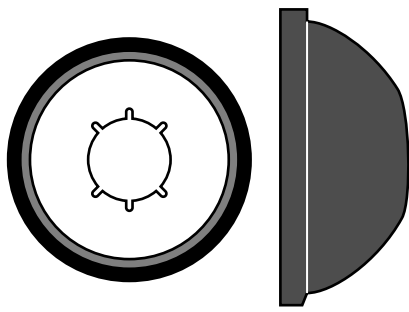
#49 (2)



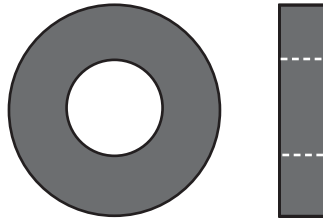
#24 (8)*

* You may have extra parts with this model.

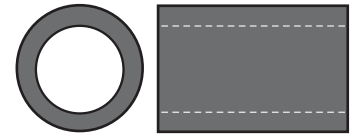
HARDWARE IDENTIFIER (PLASTIC SPACERS CAPS & CLIPS)



#13 (4)

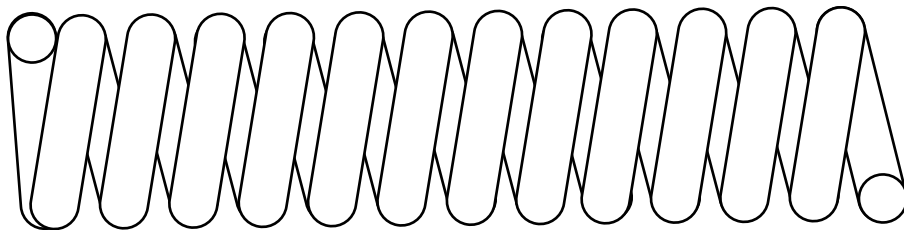


#30 (8)

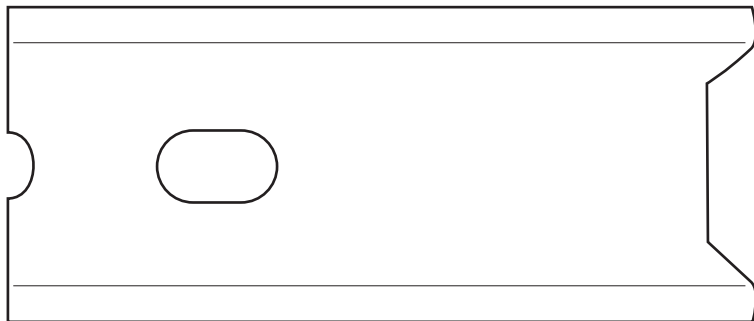


#36 (2)

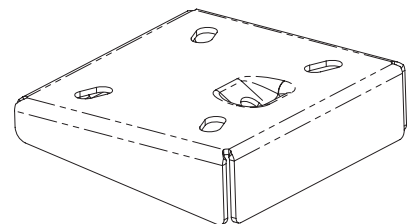
HARDWARE IDENTIFIER (OTHER)



#47 (1)



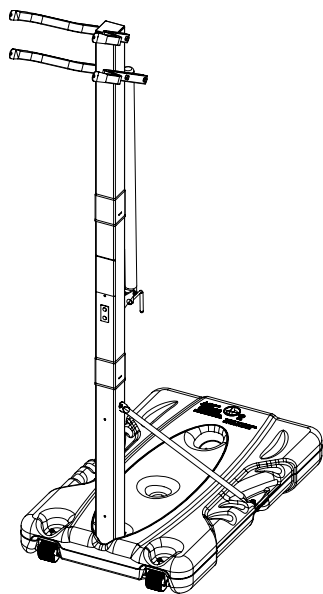
#46 (1)



#44 (1)

SECTION A: ASSEMBLE THE BASE

This is what your system will look like when you've finished this section.



TOOLS REQUIRED FOR THIS SECTION

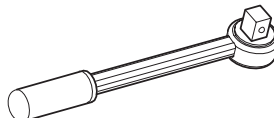
(2) Wrenches



9/16", 1/2"

AND/OR

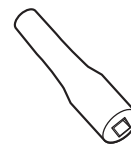
(2) Socket Wrenches and Sockets



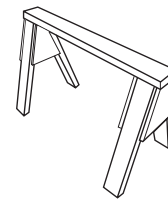
1/2"



9/16"



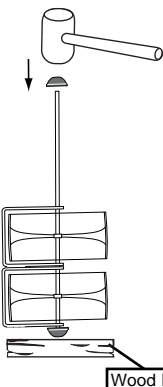
Extension



Sawhorse or support table

- Complete wheel assembly as shown in Figure A. Secure wheel bracket (7) and wheel assembly (Fig. A.) to the tank (1) with a bolts (18) and washers (24). Repeat procedure for opposite wheel.

Fig. A.

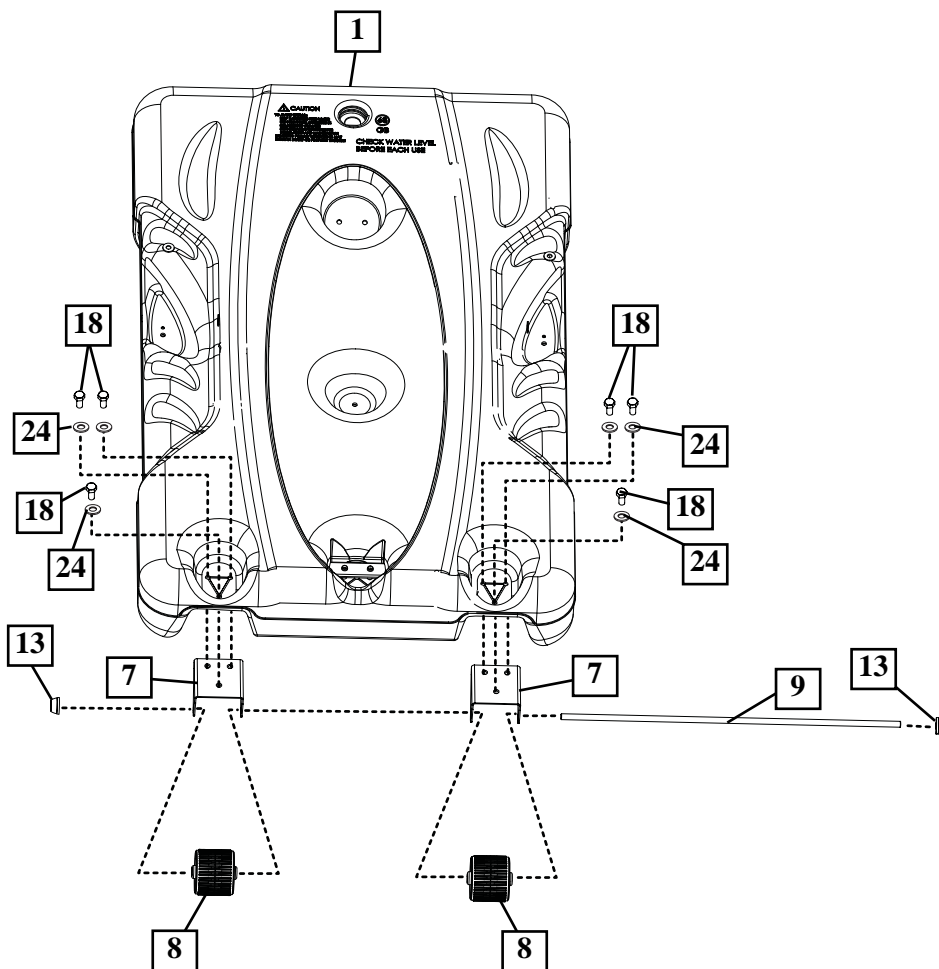


Wood Block

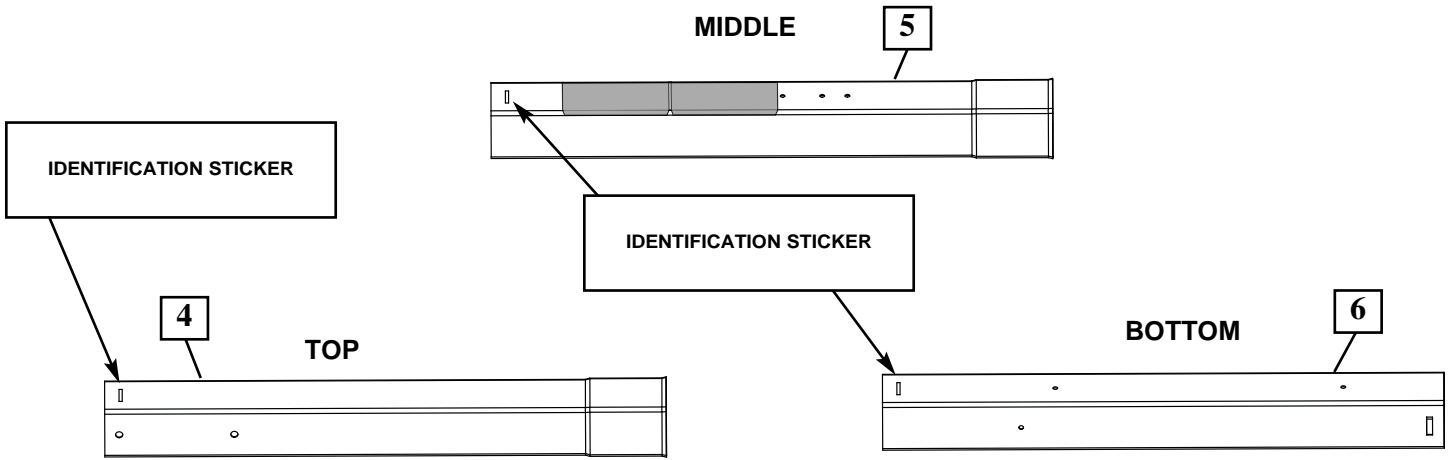
NOTE:

TO INSTALL SECOND PUSHNUT:

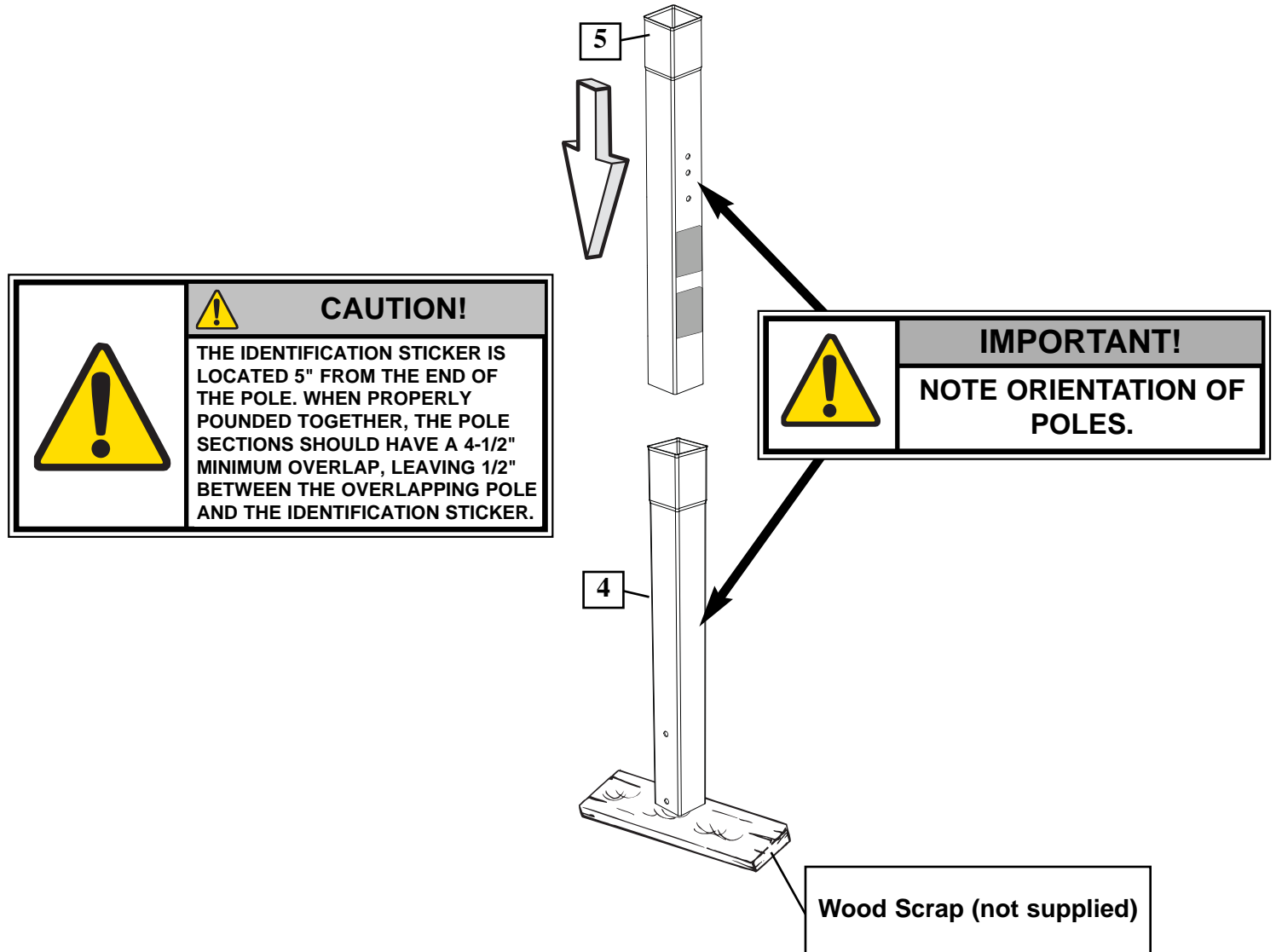
- Assemble Pushnut, Wheels, Axle, And Wheel Bracket As Shown.
- Support Pushnut/Axle From The End With A Block Of Wood To Install The Second Pushnut Onto The Axle.



- 2.** Correctly identify each pole section. Poles have an identification sticker that will be used as a reference point in the next step.



- 3.** Bounce middle pole section (5) into top section (4) using a wood scrap as shown until the top pole no longer moves toward the pole identification sticker on the middle pole.

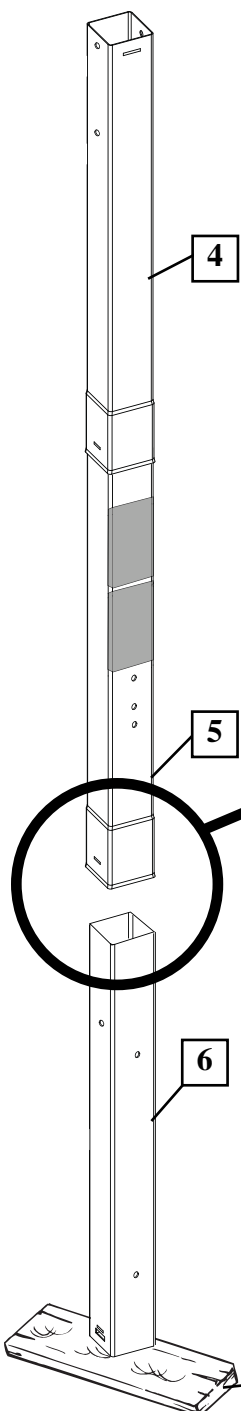
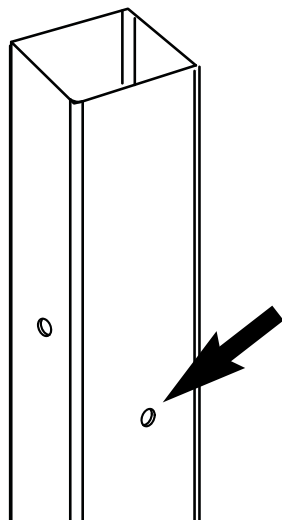
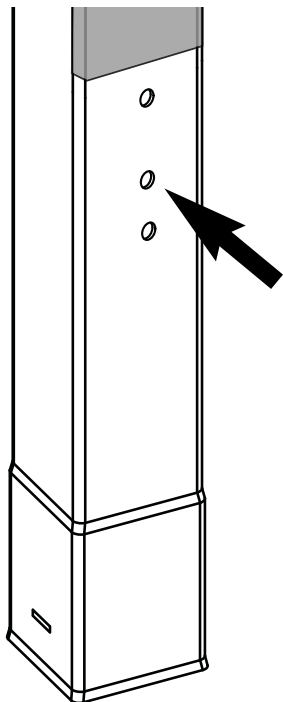


4. Bounce top and middle pole assembly (4 and 5) onto bottom pole section (6) using a wood scrap as shown. Bounce until the top and middle pole assembly no longer moves toward the pole identification mark on the bottom pole.



IMPORTANT!

NOTE ORIENTATION.



Wood Scrap
(not supplied)

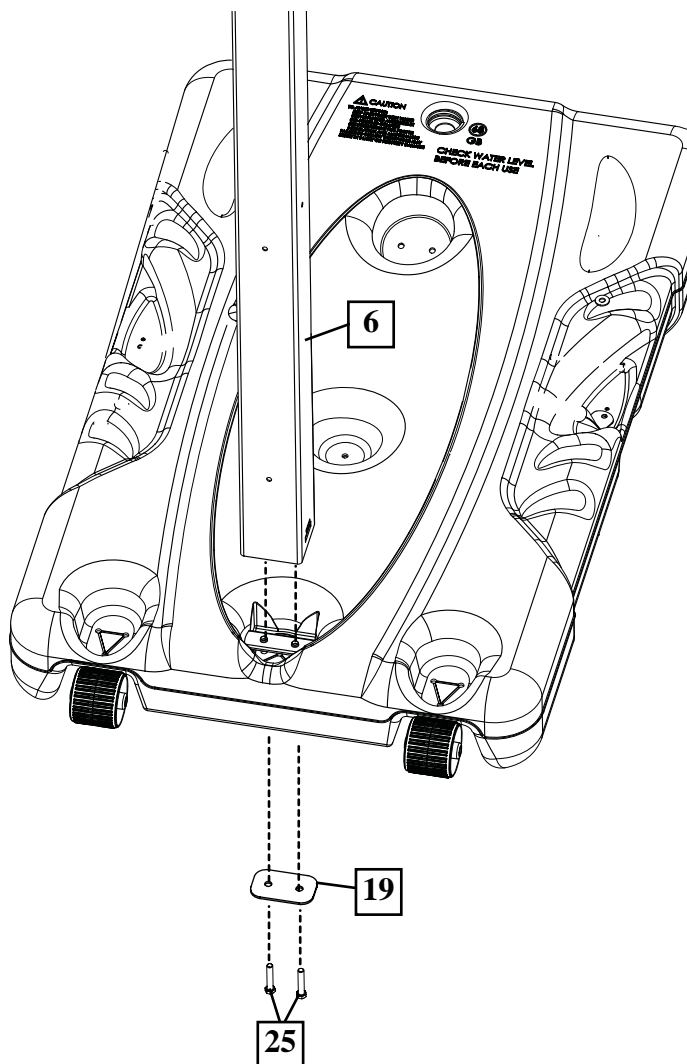
5. Attach pole assembly to tank (1) as shown. Secure pole assembly to tank using bolts (25) and pole mounting plate (19) as shown.



WARNING!




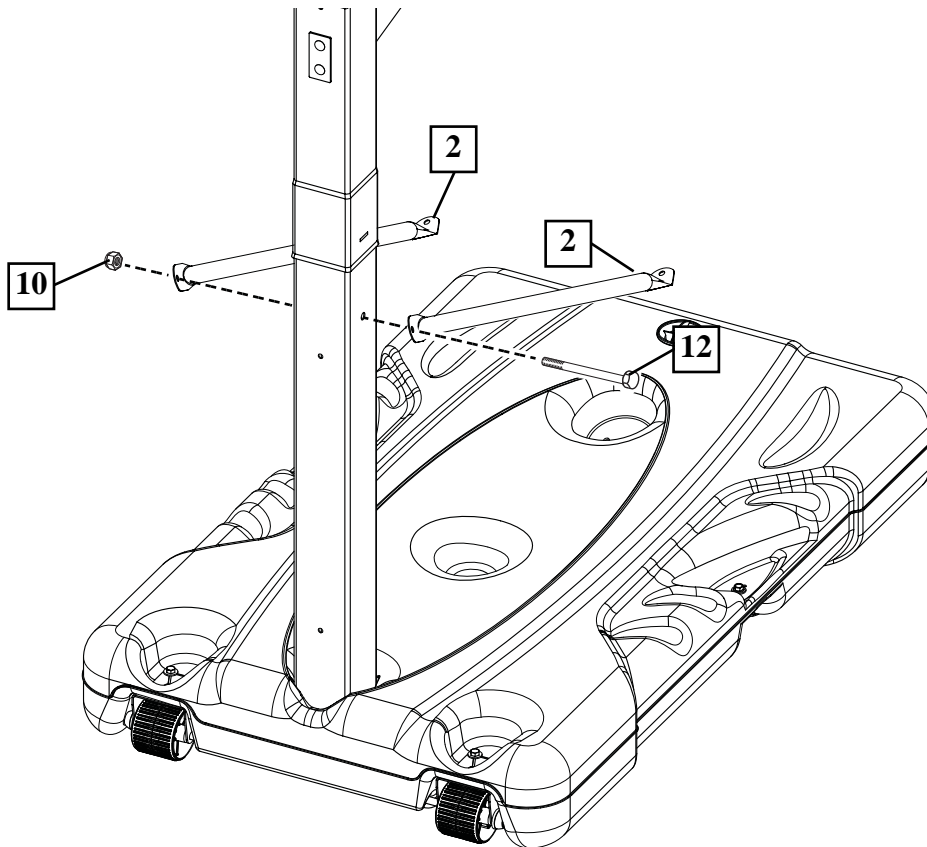
TWO CAPABLE ADULTS
REQUIRED FOR THIS
PROCEDURE. FAILURE TO
FOLLOW THIS WARNING COULD
RESULT IN SERIOUS INJURY
AND/OR PROPERTY DAMAGE.



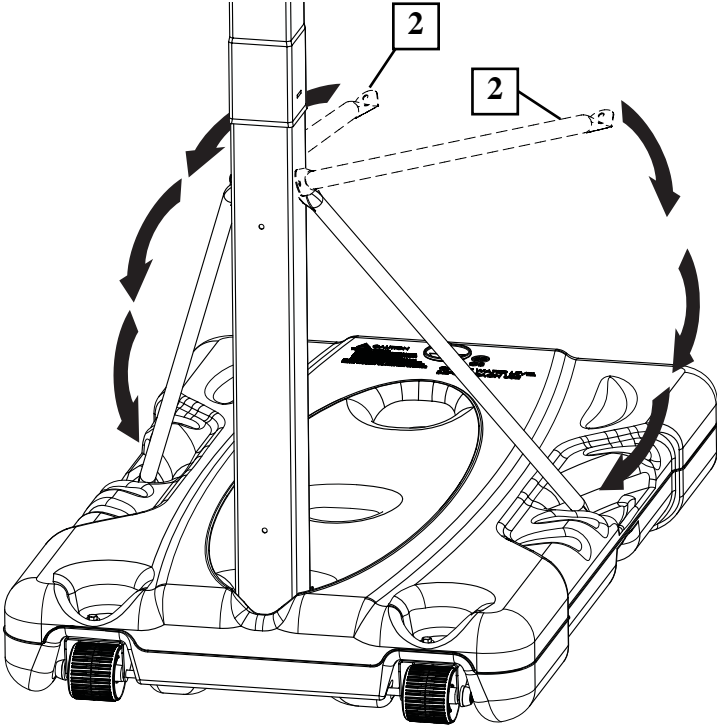
6. Secure tank struts (2) to pole as shown.

	 WARNING!
	TWO CAPABLE ADULTS REQUIRED FOR THIS PROCEDURE. FAILURE TO FOLLOW THIS WARNING COULD RESULT IN SERIOUS INJURY AND/OR PROPERTY DAMAGE.

	IMPORTANT!
	DO NOT TIGHTEN COMPLETELY.

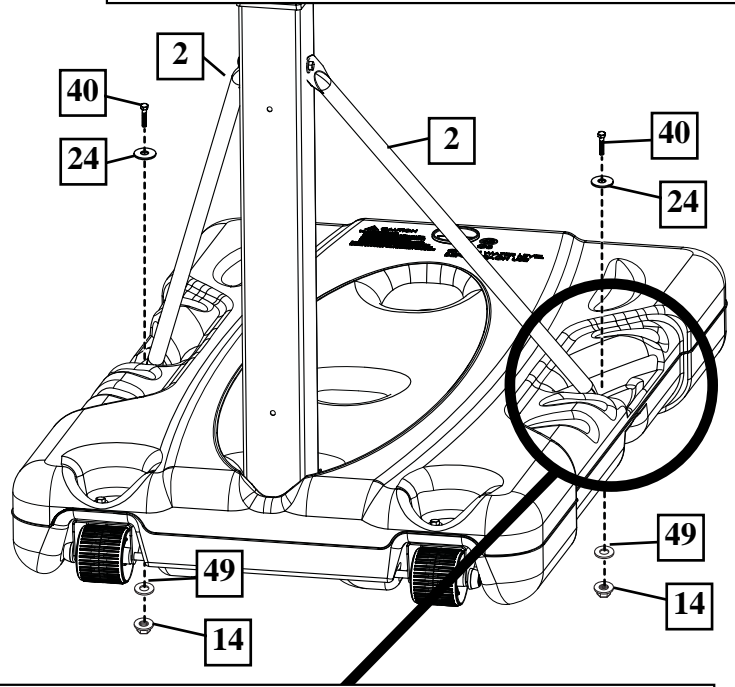



- 7.** Rotate non-secured ends of tank struts (2) outward to mounting holes in tank as shown. Secure non-secured ends of tank struts (2) to tank as shown. Repeat for opposite side.



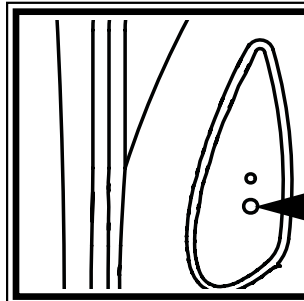


WARNING!
TWO CAPABLE ADULTS REQUIRED FOR THIS PROCEDURE. FAILURE TO FOLLOW THIS WARNING COULD RESULT IN SERIOUS INJURY AND/OR PROPERTY DAMAGE.





IMPORTANT!
DO NOT TIGHTEN COMPLETELY.



IMPORTANT!

Struts MUST be attached to the base through the LARGER holes.

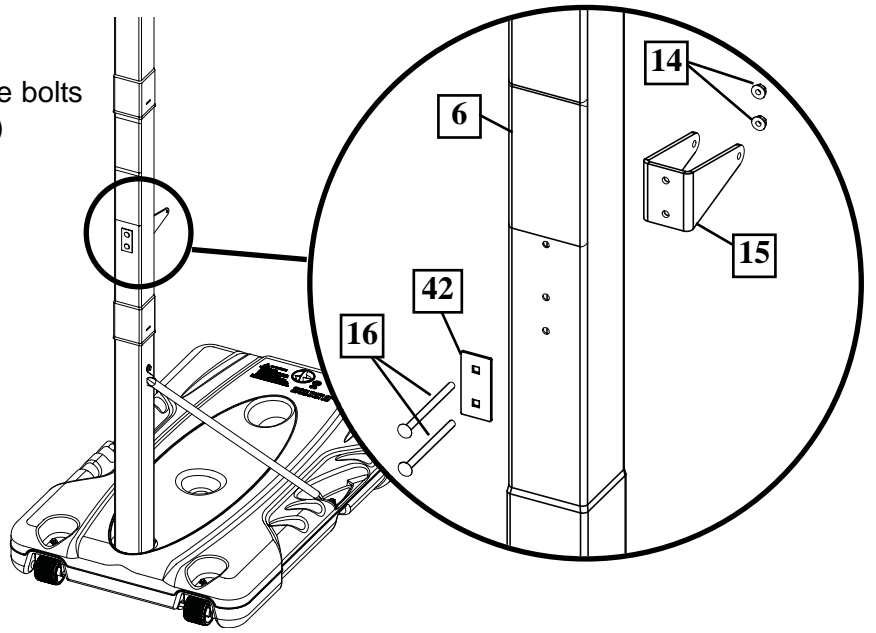
- 8.** Install pole mount bracket (15) and reinforcement bracket (42) with carriage bolts (16) as shown. Tighten flange nuts (14) completely.



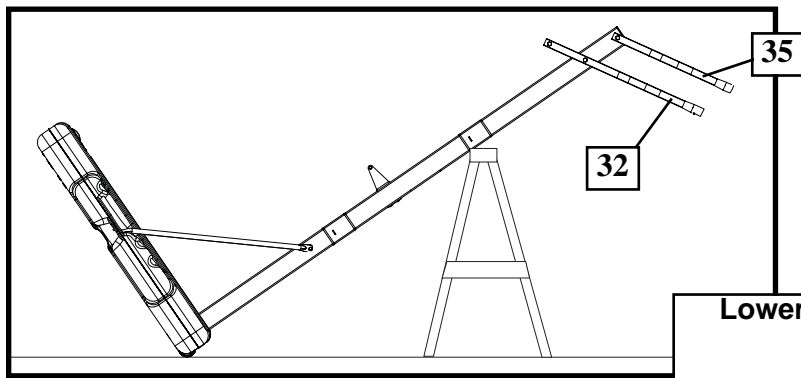
IMPORTANT!
DO NOT OVER TIGHTEN!



IMPORTANT!
TIGHTEN ALL HARDWARE FROM STEPS 6-8 AFTER THIS ASSEMBLY IS COMPLETED.



9. Securely rest the assembly on sawhorse. Identify elevator tubes (32 and 35).



Toward Pole

Lower Elevator tube
32

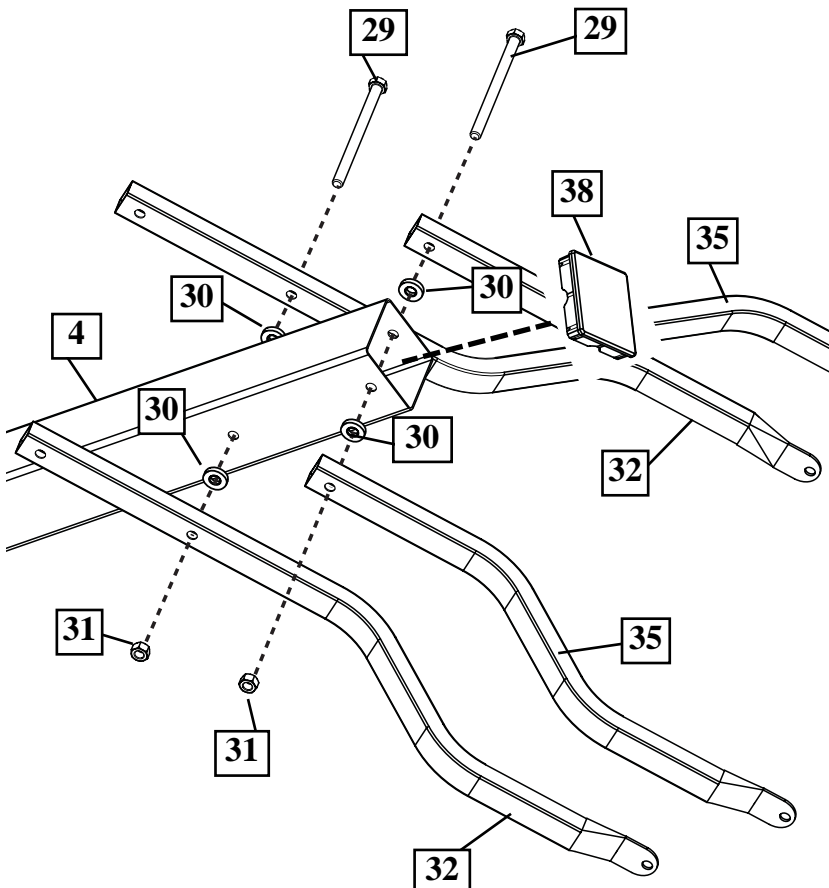
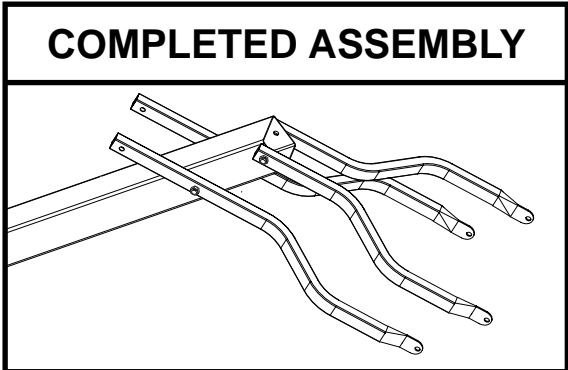
Upper Elevator tube
35

Toward Board

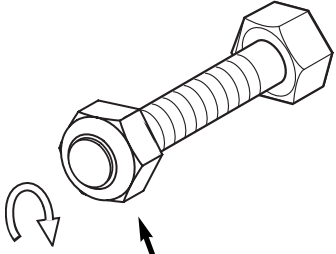


WARNING!
TWO CAPABLE ADULTS
REQUIRED FOR THIS
PROCEDURE. FAILURE TO
FOLLOW THIS WARNING COULD
RESULT IN SERIOUS INJURY
AND/OR PROPERTY DAMAGE.

10. While the system is securely resting on the sawhorse. Install elevator tubes (32 and 35) to top pole section (4) as shown. Install pole cap (38) at this time.



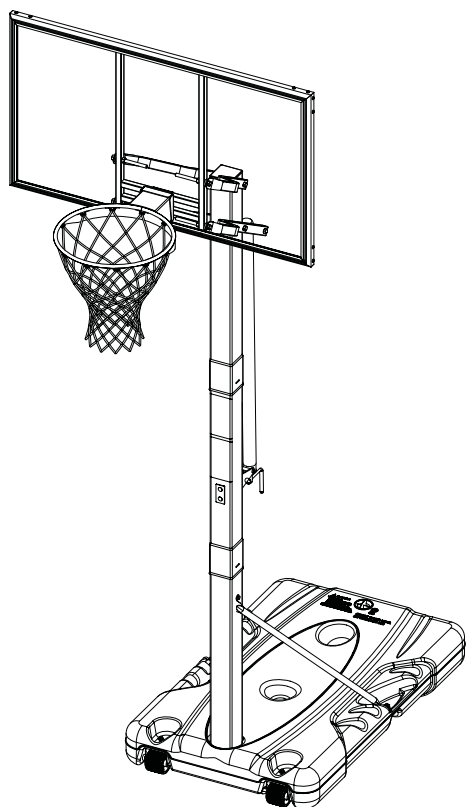
WARNING!



TIGHTEN BOLT (29) IN
LOCK NUT (31) UNTIL
FLUSH (EVEN) WITH LOCK
NUT'S OUTER EDGE.

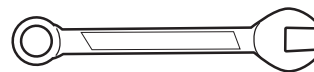
SECTION B: ATTACH THE BACKBOARD

This is what your system will look like when you've finished this section.



TOOLS REQUIRED FOR THIS SECTION

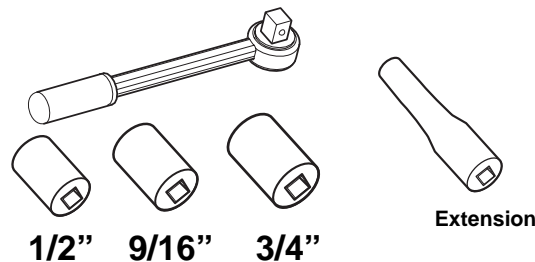
(2) Wrenches



9/16", 1/2", 3/4"

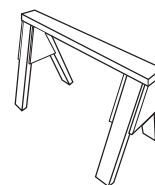
AND/OR

(2) Socket Wrenches and Sockets

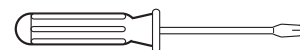


1/2" 9/16" 3/4"

Extension

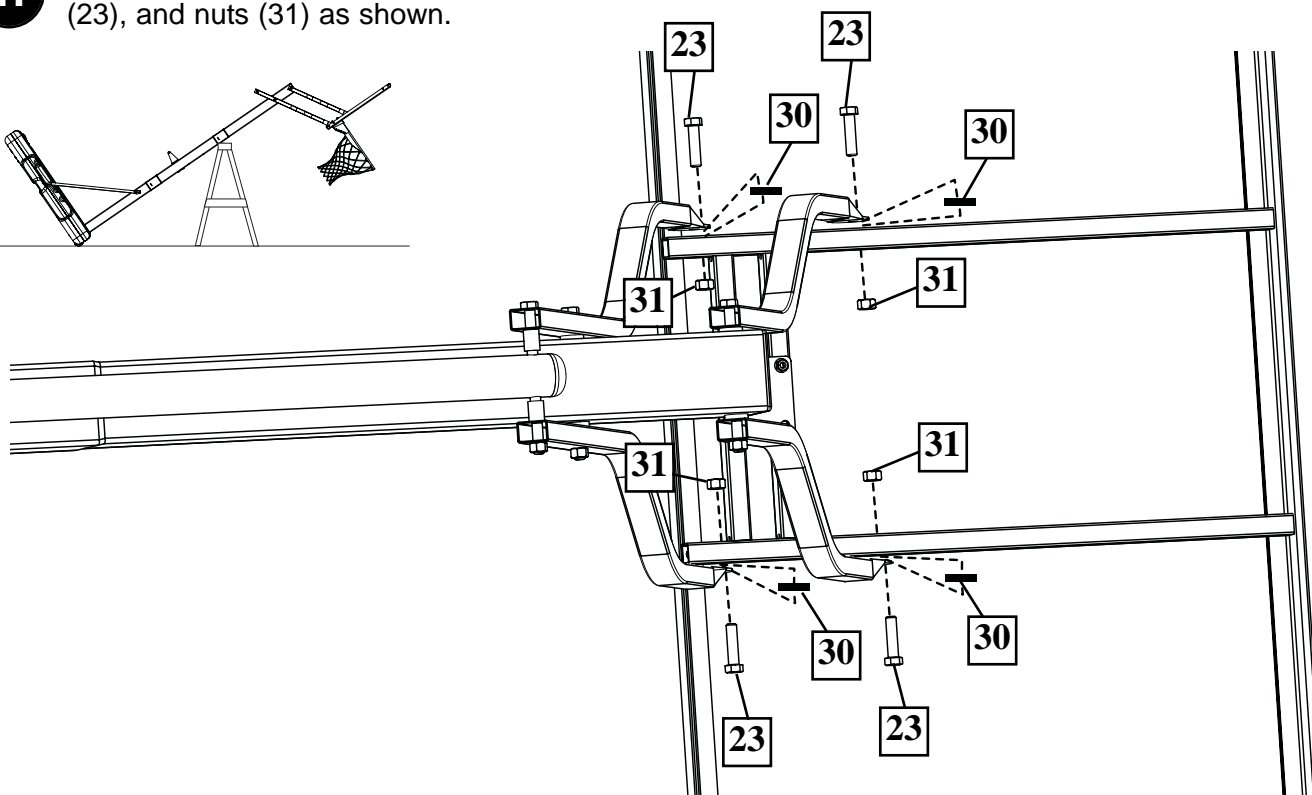
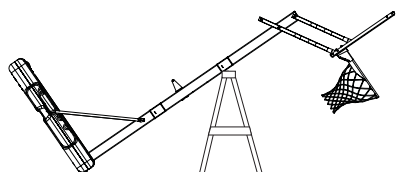


Sawhorse or support table



Phillips Screwdriver

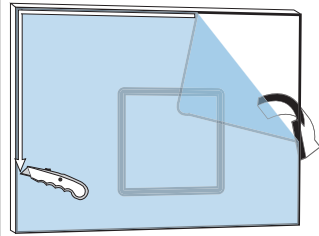
1. While still supported on sawhorse. Attach elevator tubes (32) to backboard using spacers (30), bolts (23), and nuts (31) as shown.



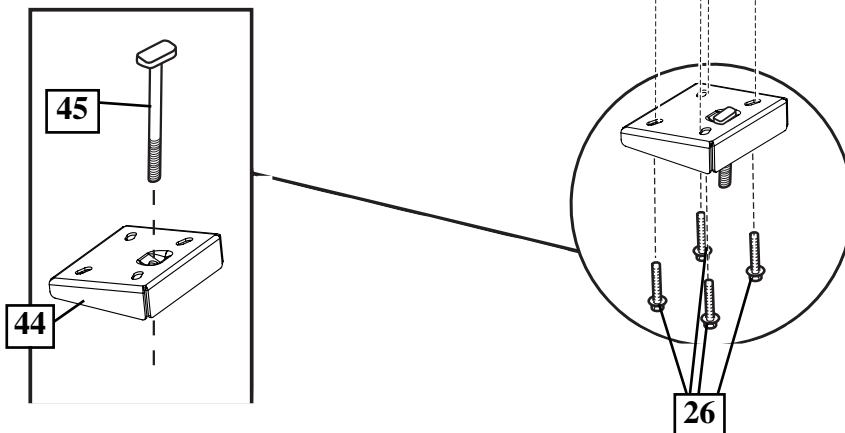
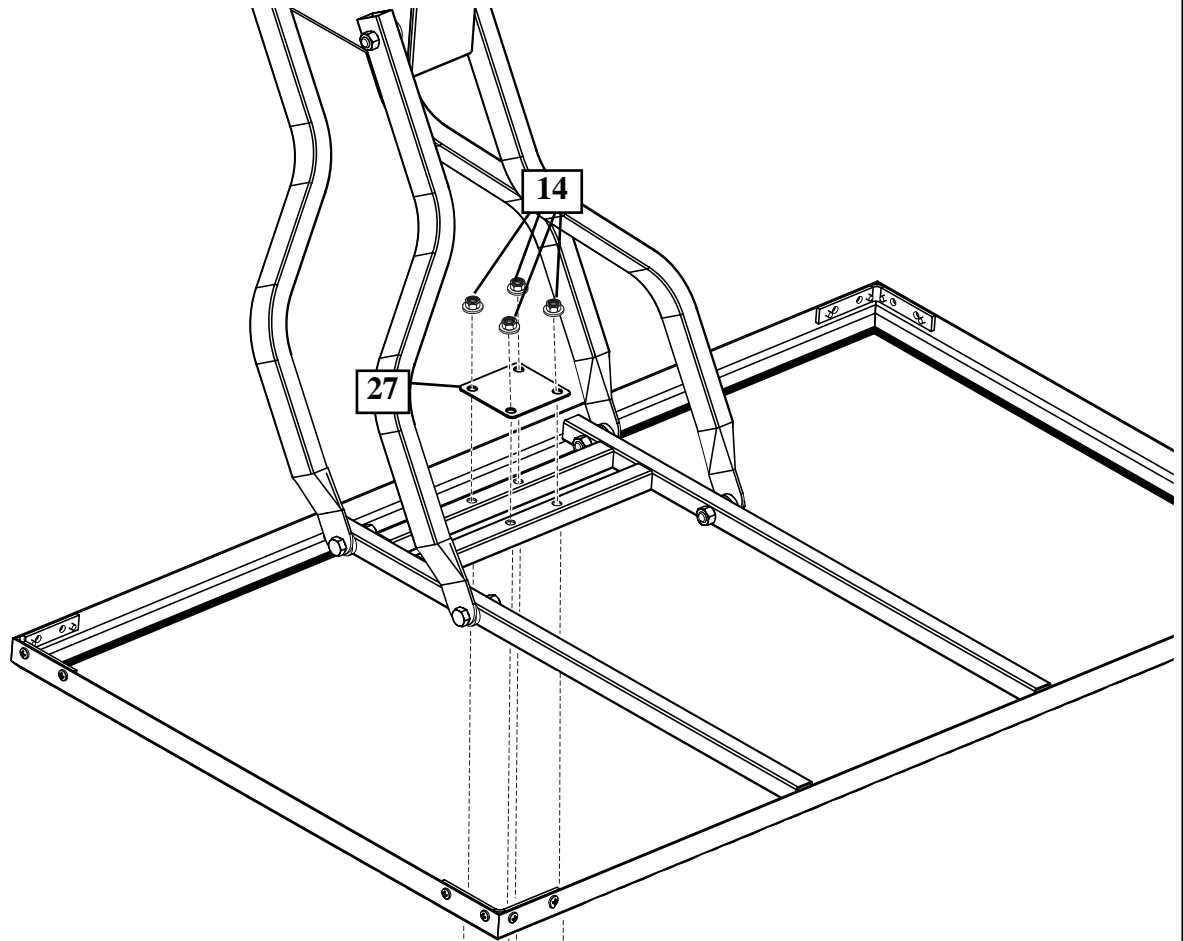


IMPORTANT!

Carefully cut and peel protective film away from board prior to attaching rim.

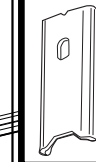
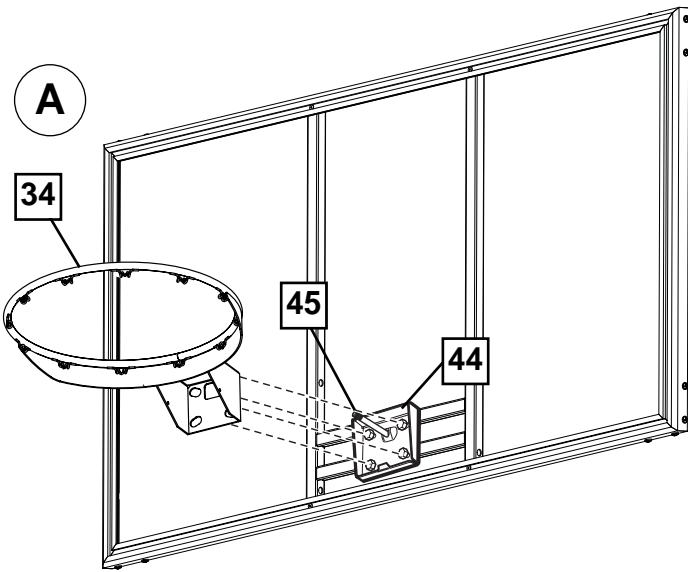
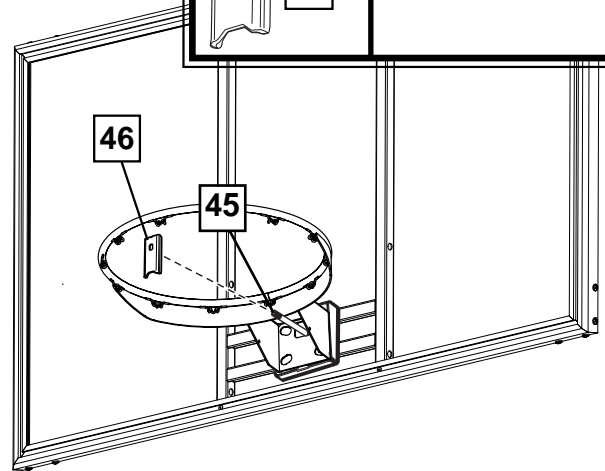
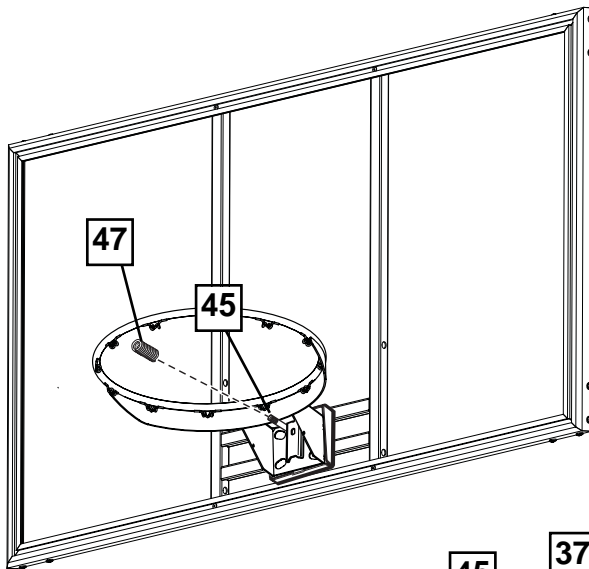
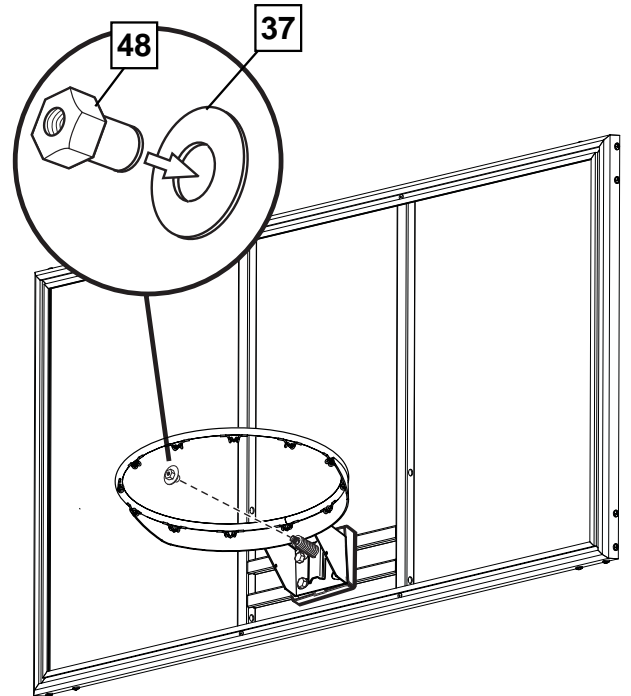
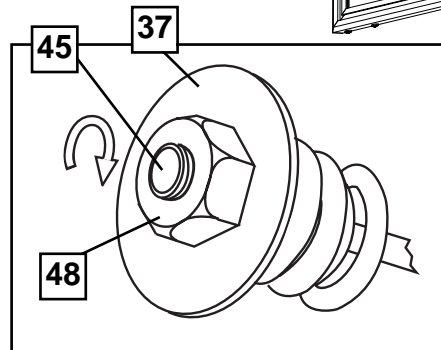


- 2.** Insert T-bolt (45) into Slam Jam bracket (44) then, attach that assembly to board using bolts (26) and nuts (14).

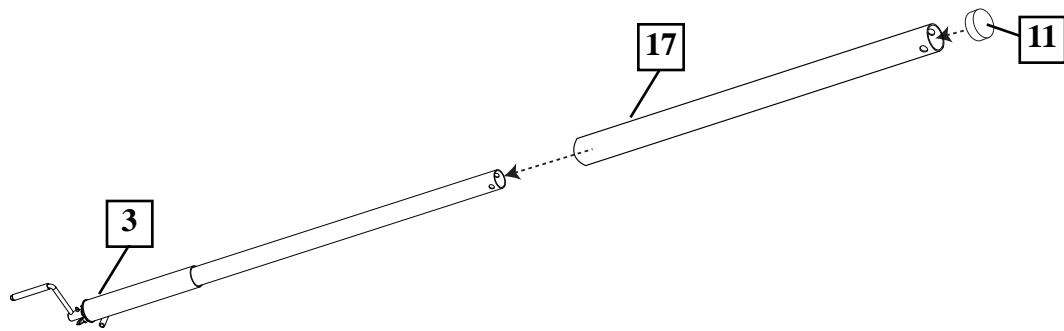


3.**Install Slam Jam Rim to Backboard**

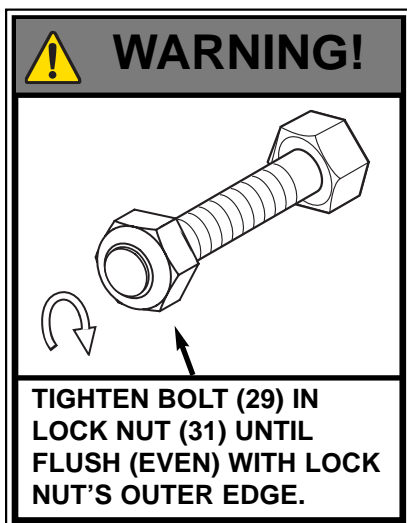
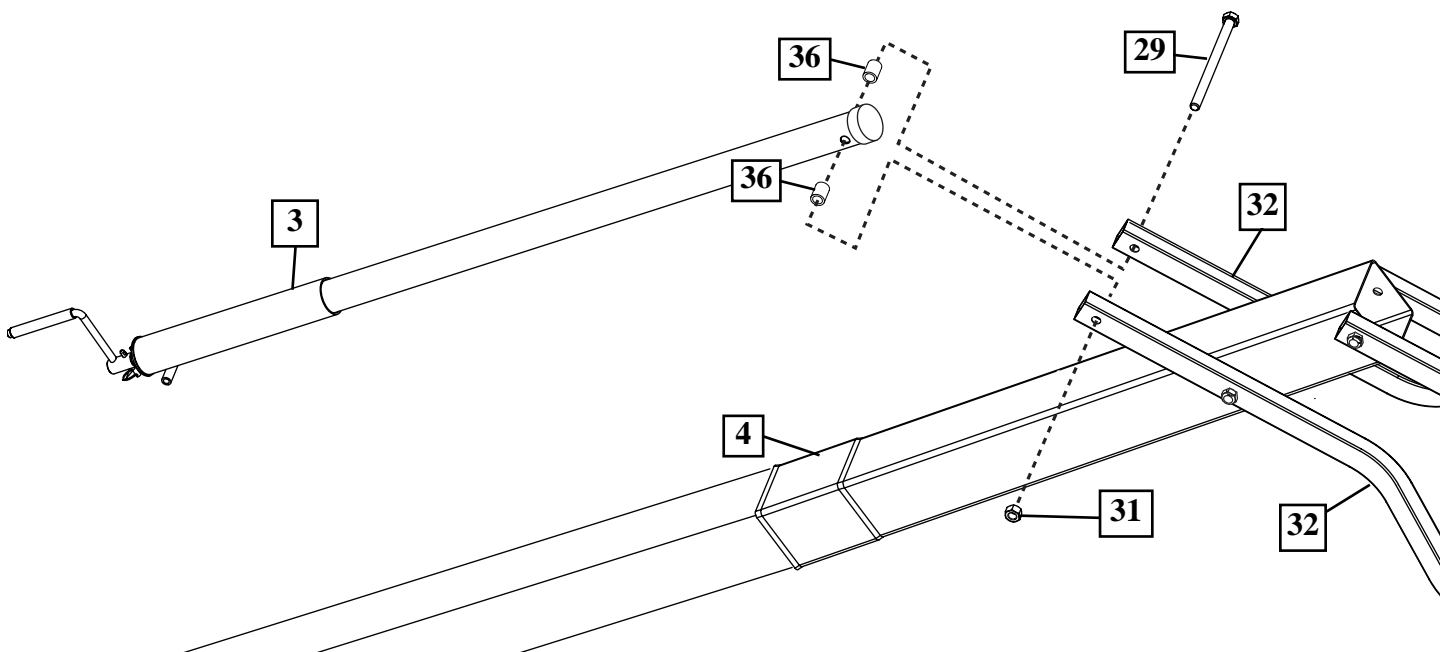
- A. Fit rim (34) securely into bracket (44) as shown. Allow T-bolt (45) to slip through center hole in rim (34).
- B. Install reinforcement bracket (46) onto T-bolt (45) as shown.
- C. Install spring (47) onto T-bolt (45) as shown.
- D. Install special nut (48) and washer (37) onto T-bolt (45).
- E. Tighten nut (48) until flush with end of T-bolt (45).

NOTE:**46****ORIENTATION
OF BRACKET****B****C****D****E**

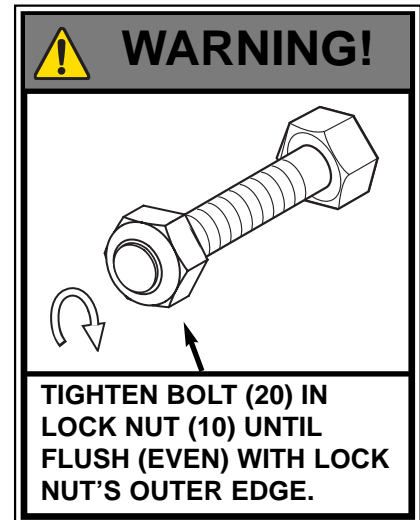
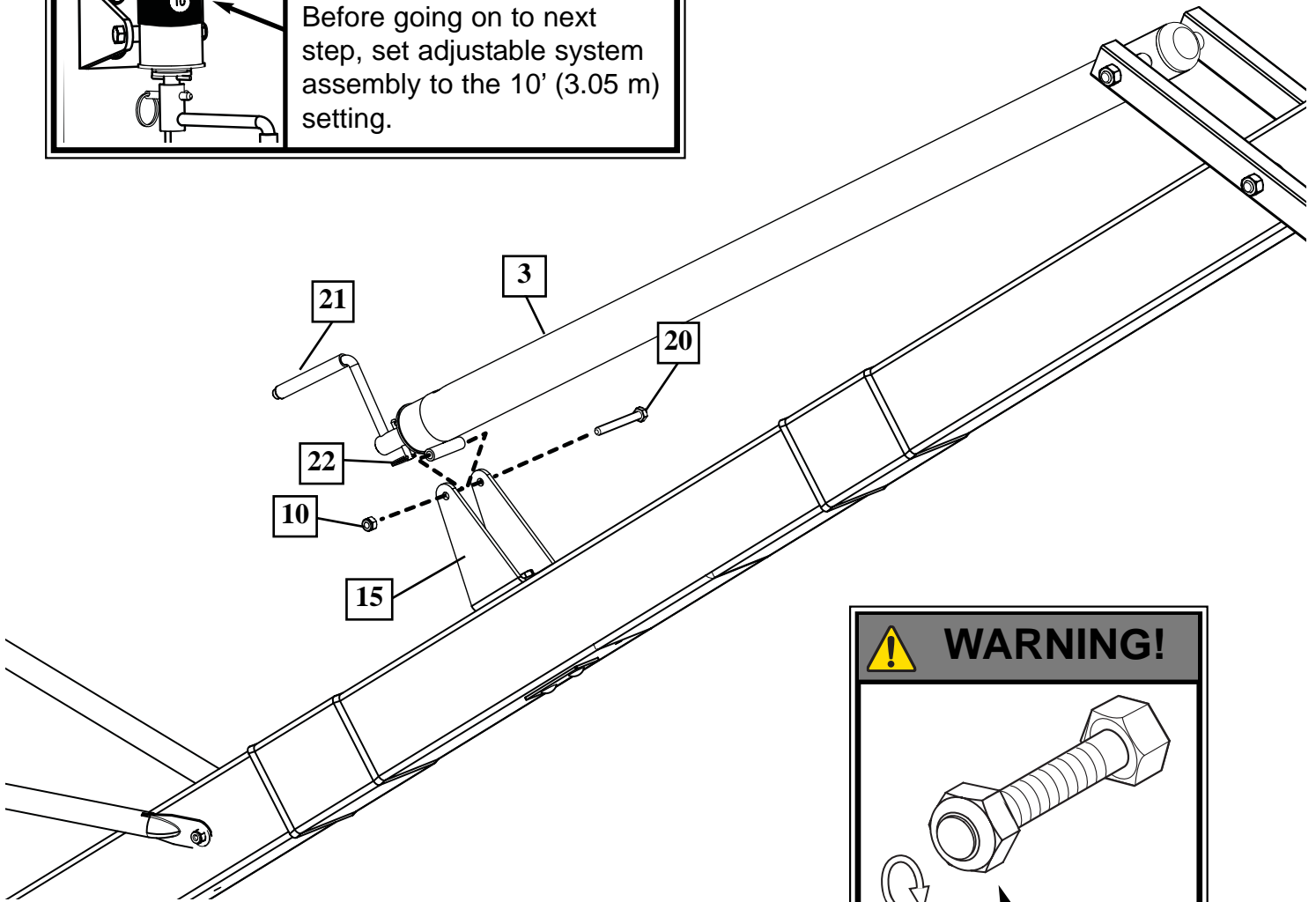
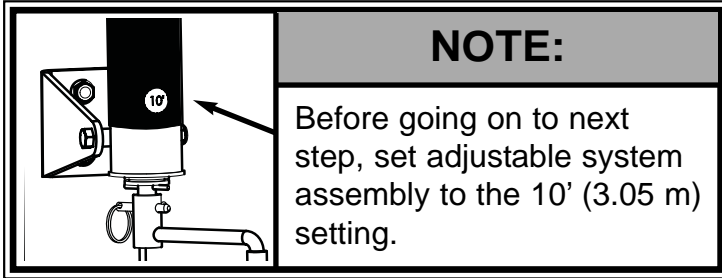
- 4.** **A.** Place cover (17) onto screw-jack assembly (3). Install cap (11).



- B.** Install handle assembly (3, 17 and 11) to lower elevator tubes (32) using bolt (29), spacers (36), and nut (31) as shown.

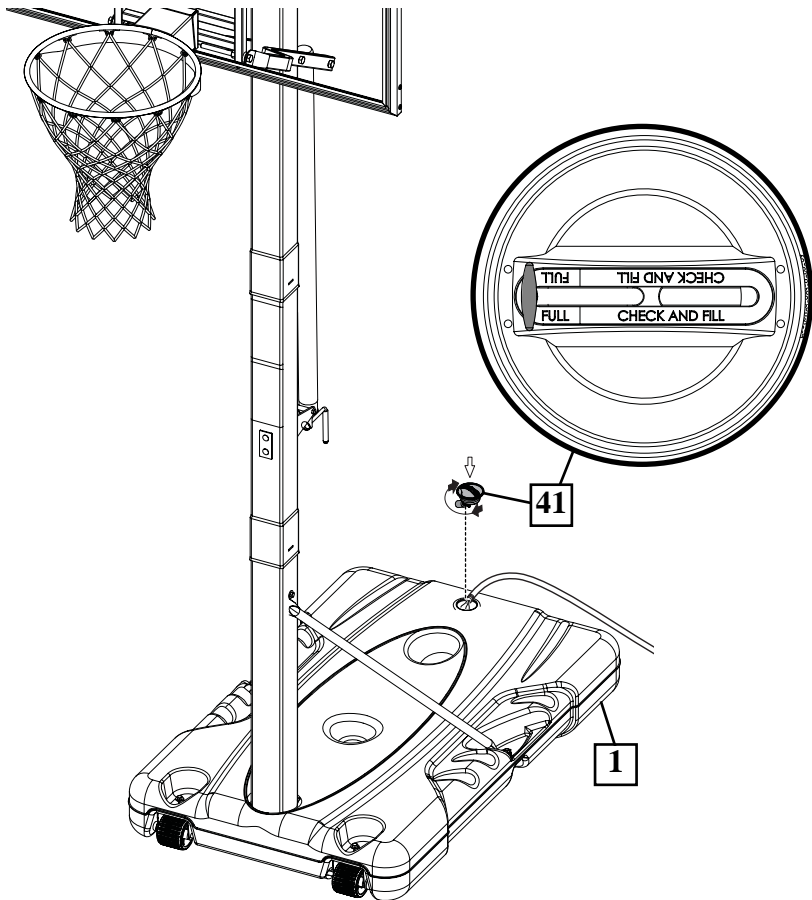


- 5.** Secure the handle assembly (3, 17 and 11) to pole bracket (15) using bolt (20) and nut (10) as shown.



6.

Roll completed assembly to desired position. Fill tank with water (approx. 40 gallons (128 Liters)) or sand (approx. 475 lbs. (216 kg)) and rotate the cap (41) into base (1).

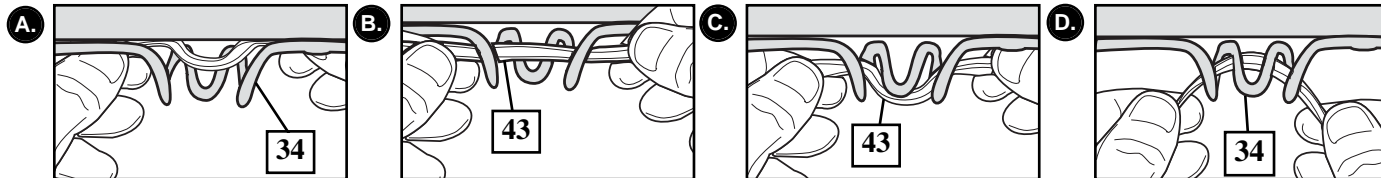


WARNING!	
	TWO CAPABLE ADULTS REQUIRED FOR THIS PROCEDURE. FAILURE TO FOLLOW THIS WARNING COULD RESULT IN SERIOUS INJURY AND/OR PROPERTY DAMAGE.
	DO NOT LEAVE ASSEMBLY UNATTENDED WHEN EMPTY; IT MAY TIP OVER.
CAUTION!	
	ADD TWO GALLONS (7.6 LITERS) OF NON-TOXIC ANTIFREEZE IN SUB-FREEZING CLIMATES.
	<i>IF USING SAND:</i> 2 GALLONS OF ANTI-FREEZE IS <u>NOT</u> REQUIRED.

WARNING!	
	<p>Cap (41) MUST be tightened COMPLETELY and SECURELY to prevent leakage.</p> <p>CHECK WATER LEVEL BEFORE EACH USE!</p> <p>FAILURE TO FOLLOW THIS WARNING COULD RESULT IN SERIOUS INJURY AND/OR PROPERTY DAMAGE.</p>

7.

Install net (43).



8.

Apply Height Adjustment and Moving Label (33) to front of pole, where it is clearly visible.

CAUTION!	
	<p>DO NOT OVER-CRANK HANDLE BEYOND THE MANUFACTURED HEIGHT-INDICATOR RANGE OF 7-1/2 - 10 FEET. DAMAGE MAY BE CAUSED TO THE SCREW JACK'S INTERNAL ADJUSTMENT MECHANISM IF ADJUSTED OVER 10 OR UNDER 7-1/2 FEET.</p>
	<p>HEIGHT AND MOVING LABEL MUST NOT OBSTRUCT FACTORY ATTACHED WARNING LABEL.</p>

HEIGHT ADJUSTMENT

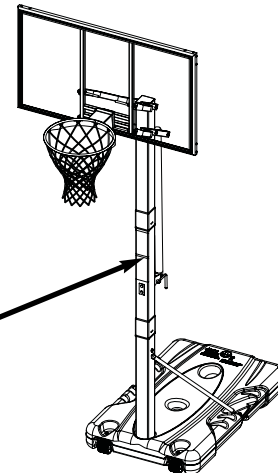
Rotate crank handle to raise and lower backboard.

Do not over crank handle beyond the manufactured height indicator range of 7-1/2 - 10 feet. Damage may be caused to the screw jack's internal adjustment mechanism if adjusted over 10 or under 7-1/2 feet.

MOVING SYSTEM

1. While holding pole, rotate basketball system forward until wheels engage with ground.
2. Move basketball system to desired location.
3. Carefully rotate basketball system upright.
4. Check system for stability.

568090 11/06



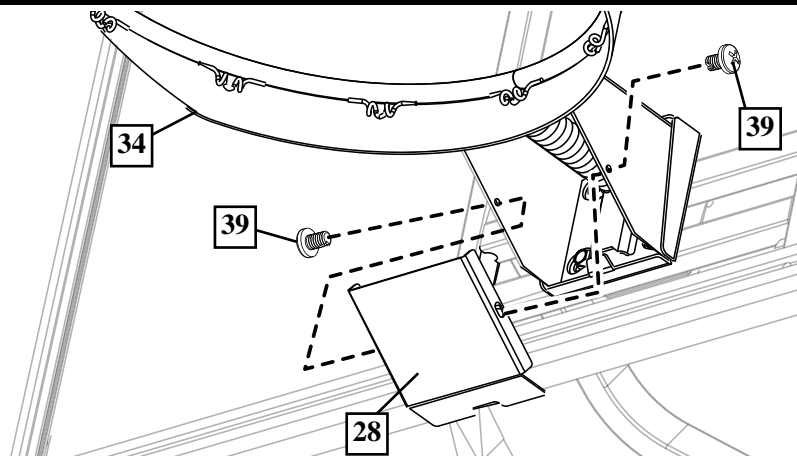
NOTE:

Handle (21) can be removed and stored by removing pin (22).

RIM COVER ATTACHMENT

9.

	NOTE:
	Cover plate (28) will fit <u>INSIDE</u> back bracket.



Free Manuals Download Website

<http://myh66.com>

<http://usermanuals.us>

<http://www.somanuals.com>

<http://www.4manuals.cc>

<http://www.manual-lib.com>

<http://www.404manual.com>

<http://www.luxmanual.com>

<http://aubethermostatmanual.com>

Golf course search by state

<http://golfingnear.com>

Email search by domain

<http://emailbydomain.com>

Auto manuals search

<http://auto.somanuals.com>

TV manuals search

<http://tv.somanuals.com>