




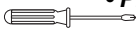

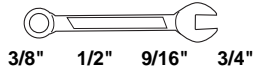


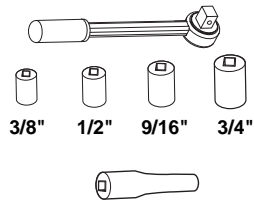
REQUIRED TOOLS AND MATERIALS:

-  • 2 People
-  • Tape Measure
-  • Wood Board (scrap)
-  • Sawhorse or Support Table
-  • Hammer
-  • Tape
-  • Safety Glasses
-  • Phillips Screwdriver
-  • Scissors

- (2 each) Wrenches and/or Socket Wrenches and Sockets (Deep-Well Sockets are Recommended).

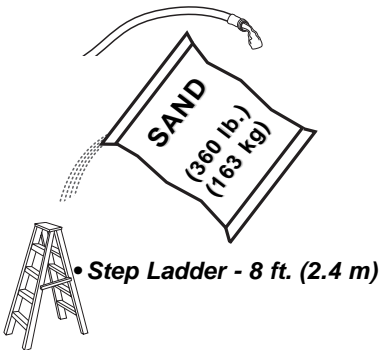


AND/OR



- Extension is Recommended.

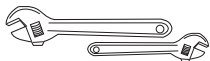
- Garden Hose or Sand



- Step Ladder - 8 ft. (2.4 m)

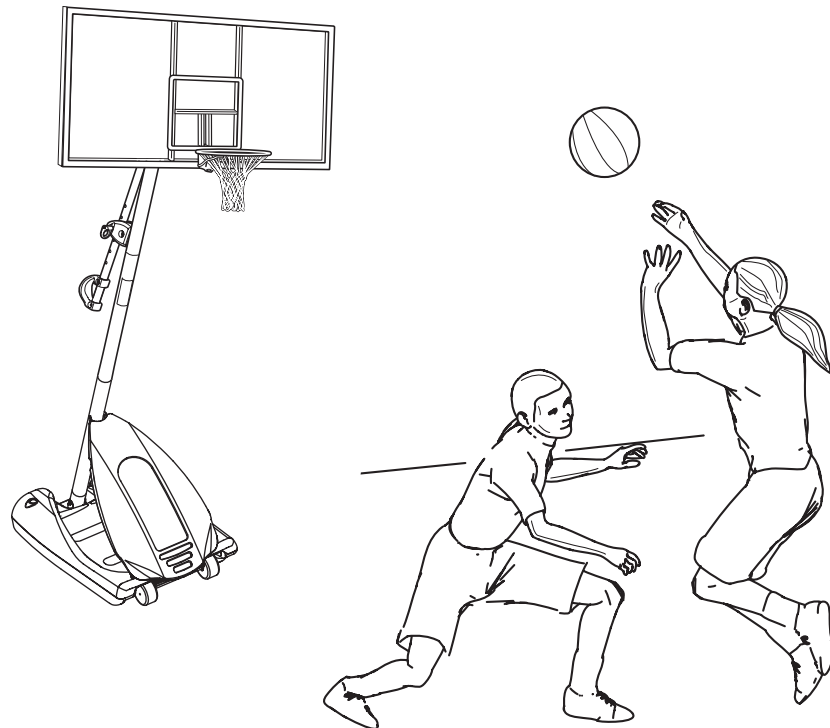
OPTIONAL TOOLS AND MATERIALS:

- Large & Small Adjustable Wrenches



Portable System Owners Manual

Customer Service Center
 • N53 W24700 South Corporate Circle • Sussex, WI 53089 • U.S.A.





! WARNING!

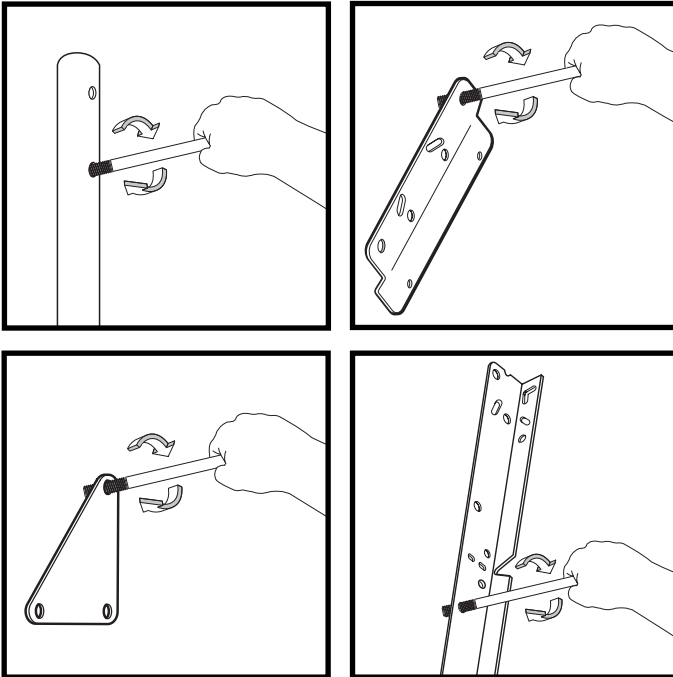
READ AND UNDERSTAND OPERATOR'S MANUAL BEFORE USING THIS UNIT.

FAILURE TO FOLLOW OPERATING INSTRUCTIONS COULD RESULT IN INJURY OR DAMAGE TO PROPERTY.

Write Model Number From Box Here:

Toll-Free Customer Service Number for U.S: 1-800-558-5234,
 For Canada: 1-800-284-8339,
 For Europe: 00 800 555 85234 (Sweden: 009 555 85234),
 For Australia: 1-800-632 7921
 Internet Address: <http://www.huffysports.com>

BEFORE YOU START!



To ensure optimal playability of backboard system, a close tolerance fit between the elevator components and hardware is required. Test-fit large bolts into large holes of elevator tubes, backboard brackets, and triangle plates. Carefully rock them in a circular motion to ream out any excess paint from holes if necessary.

Not all items pictured are included with every model.



WARNING

Read and understand warnings listed below before using this product.

Failure to follow these warnings may result in serious injury and/or property damage.

Owner must ensure that all players know and follow these rules for safe operation of the system.

- **DO NOT HANG** on the rim or any part of the system including backboard, support braces or net.
- During play, especially when performing dunk type activities, keep player's face away from the backboard, rim and net. Serious injury could occur if teeth/face come in contact with backboard, rim or net.
- Do not slide, climb, shake or play on base and/or pole.
- After assembly is complete, fill system completely with water or sand. Never leave system in an upright position without filling base with weight, as system may tip over causing injuries.
- When adjusting height or moving system, keep hands and fingers away from moving parts.
- Do not allow children to move or adjust system.
- During play, do not wear jewelry (rings, watches, necklaces, etc.). Objects may entangle in net.
- Surface beneath the base must be smooth and free of gravel or other sharp objects. Punctures cause leakage and could cause system to tip over.
- Keep organic material away from pole base. Grass, litter, etc. could cause corrosion and/or deterioration.
- Check pole system for signs of corrosion (rust, pitting, chipping) and repaint with exterior enamel paint. If rust has penetrated through the steel anywhere, replace pole immediately.
- Check system before each use for proper ballast, loose hardware, excessive wear and signs of corrosion and repair before use.
- Check system before each use for instability.
- Do not use system during windy and/or severe weather conditions; system may tip over. Place system in the storage position and/or in an area protected from the wind and free from personal property and/or overhead wires.
- Never play on damaged equipment.
- When moving system, use caution to keep mechanism from shifting.
- Keep pole top covered with cap at all times.
- Do not allow water in tank to freeze. During sub-freezing weather add 2 gallons of non-toxic antifreeze, sand or empty tank completely and store. (Do not use salt.)
- While moving system, do not allow anyone to stand or sit on base or have added ballasting on base.
- Do not leave system unsupervised or play on system when wheels are engaged for moving.
- Use Caution when moving system across uneven surfaces. System may tip over.
- Use extreme caution if placing system on sloped surface. System may tip over more easily.
- See instruction manual for proper installation and maintenance.

SPALDING
In the U.S.: 1-800-772-5346

HYDRA-RIB
In the U.S.: 1-800-334-9111

RUSSELL
ATHLETIC

SURE SHOT
In the U.S.: 1-888-713-5488

HUFFY SPORTS
In the U.S.: 1-800-558-5234
Canada: 1-800-284-8339

ID#: 556790 05/05



SAFETY INSTRUCTIONS



FAILURE TO FOLLOW THESE SAFETY INSTRUCTIONS MAY RESULT IN SERIOUS INJURY, PROPERTY DAMAGE AND WILL VOID WARRANTY.

Owner must ensure that all players know and follow these rules for safe operation of the system.

To ensure safety, do not attempt to assemble this system without following the instructions carefully. Proper and complete assembly, use and supervision is essential for proper operation and to reduce the risk of accident or injury. A high probability of serious injury exists if this system is not installed, maintained, and operated properly.

- If using a ladder during assembly, use extreme caution.
- Check base regularly for leakage. Slow leaks could cause the system to tip over unexpectedly
- Seat the pole sections properly (if applicable). Failure to do so could allow the pole sections to separate during play and/or during transport of the system.
- Climate, corrosion or misuse could result in system failure.
- If technical assistance is required, contact Huffy Sports.
- Minimum operational height is 6'6" (1.98m) to the bottom of backboard.

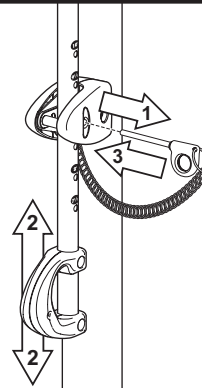
*Most injuries are caused by misuse and/or not following instructions.
Use caution when using this unit.*

HEIGHT ADJUSTMENT

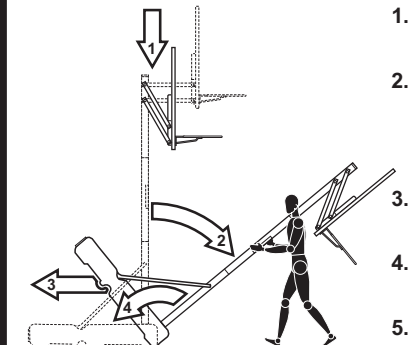
42

TO ADJUST BACKBOARD:

1. While holding handle, remove pin.
2. Move elevator up or down to desired height.
3. Replace pin full length to lock system at desired height.



MOVING SYSTEM



1. Adjust basketball backboard height to lowest position.
2. While holding pole, rotate basketball system forward until wheels engage with ground.
3. Move basketball system to desired location.
4. Carefully rotate basketball system upright.
5. Check system for stability.

511679 05/05



Questions or Missing Parts?

DON'T go back to store!

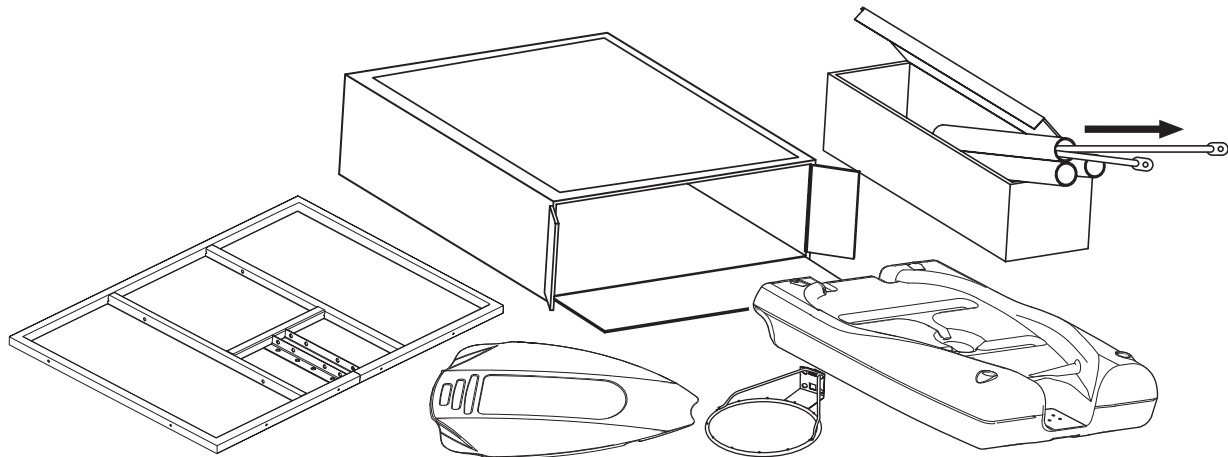
**Call TOLL-FREE Customer Service
Number listed on the front page!**

NOTICE TO ASSEMBLERS

ALL Huffy Sports Basketball Systems, including those used for DISPLAYS, MUST be assembled and ballasted with sand or water according to the instructions. Failure to follow instructions could result in SERIOUS INJURY. It is NOT acceptable to devise a makeshift weight system.

IMPORTANT!

**Remove all contents from boxes.
Be sure to check inside pole sections;
hardware and additional parts are packed inside.**

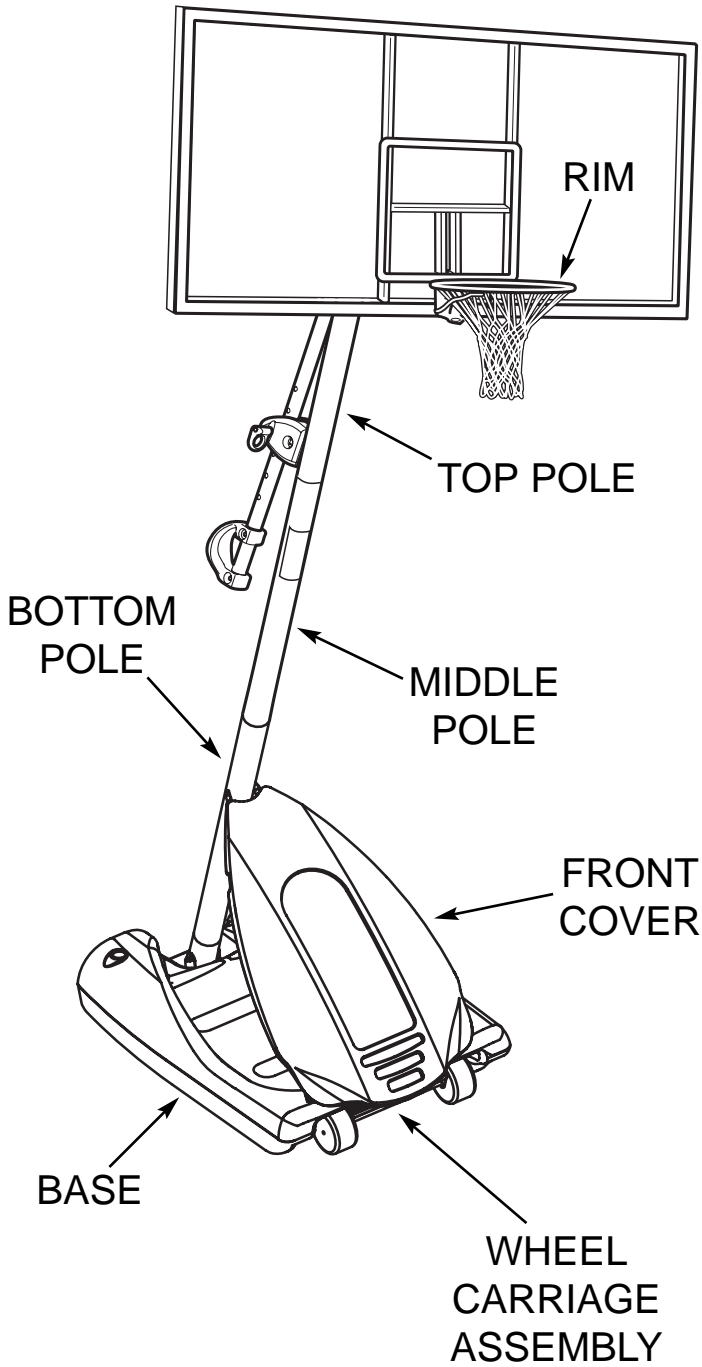


WARRANTY CARD:

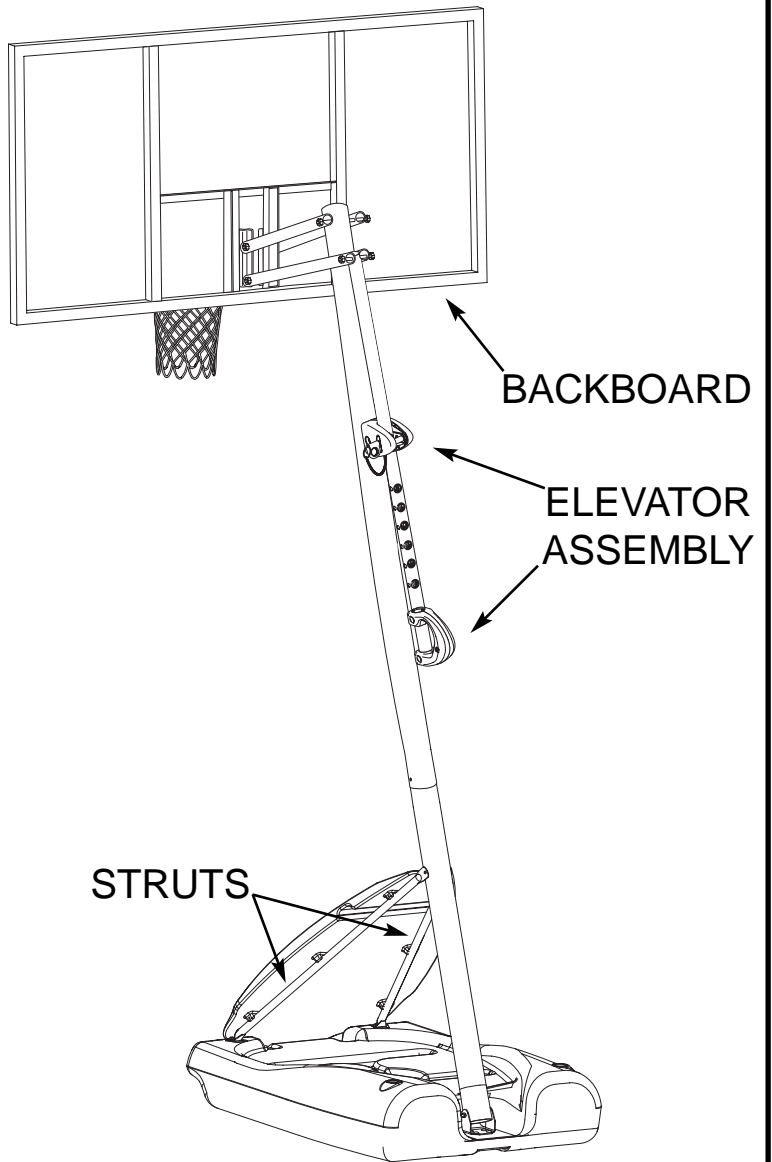
Please remember to complete your product registration form either on-line at:
www.huffysports.com/customer_support/product_registration
or mail-in the enclosed postcard.

Get to know the basic parts of your basketball system...

FRONT



BACK

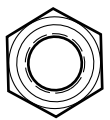


PARTS LIST - See Hardware Identifier

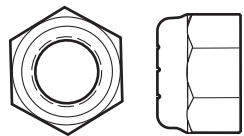
<input checked="" type="checkbox"/> <u>Item</u>	<u>Qty.</u>	<u>Part No.</u>	<u>Description</u>	<input checked="" type="checkbox"/> <u>Item</u>	<u>Qty.</u>	<u>Part No.</u>	<u>Description</u>
<input type="checkbox"/>	1	908026	Top Pole Section	<input type="checkbox"/>	36	2	204838 Spring, Counter Balance
<input type="checkbox"/>	2	90810701	Middle Pole Section (with Label	<input type="checkbox"/>	37	2	203617 Base Plug
<input type="checkbox"/>	3	908015	Bottom Pole Section	<input type="checkbox"/>	38	1	201965 Front Cover
<input type="checkbox"/>	4	900223	Wheel Bracket	<input type="checkbox"/>	39	4*	203257 Tie Straps
<input type="checkbox"/>	5	206940	Axle	<input type="checkbox"/>	40	1	Net
<input type="checkbox"/>	6	226403	Wheel	<input type="checkbox"/>	41	4	205528 Bolt, Hex Flange, 5/16-18 x 1 Long
<input type="checkbox"/>	7	206938	Pushnut	<input type="checkbox"/>	42	1	511679 Label, Height Adj and Moving
<input type="checkbox"/>	8	206660	Base	<input type="checkbox"/>	43	2	204857 Spacer, Metal 1/2" O.D. x 1.44 Long
<input type="checkbox"/>	9	203156	Hex Bolt, 5/16-18 x 1	<input type="checkbox"/>	44	1	200318 Bracket, Reinforcement, Slam Jam
<input type="checkbox"/>	10	18*	203218 Flat Washer, 5/16	<input type="checkbox"/>	45	1	203470 Washer Flat, Slam Jam
<input type="checkbox"/>	11	15*	203100 Hex-Flange Nut, 5/16-18	<input type="checkbox"/>	46	1	203472 Spring, Black, Slam Jam
<input type="checkbox"/>	12	1	201581 Pole Bracket	<input type="checkbox"/>	47	1	203795 Nut, Special, Slam Jam
<input type="checkbox"/>	13	2	202662 Hex Bolt, 5/16-18 x 4.5	<input type="checkbox"/>	48	1	203796 T-Bolt, 3/8-16 x 5 Long
<input type="checkbox"/>	14	2	203099 Lock Nut, 5/16-18	<input type="checkbox"/>	49	1	202856 Bolt, Hex, 1/2-13 x 4" Long
<input type="checkbox"/>	15	4	203223 Carriage Bolt, 5/16-18 x 1	<input type="checkbox"/>	50	4	203232 Flat Washer, 3/8
<input type="checkbox"/>	16	2	906410 Tank Strut	<input type="checkbox"/>	51		Rim
<input type="checkbox"/>	17	1	200516 Bolt Cover	<input type="checkbox"/>	52	2	90096401 Bracket, Backboard Support
<input type="checkbox"/>	18	1	206990 Reinforcement Bracket	<input type="checkbox"/>	53	4	201681 Spacer, Plastic, .530 I.D. x .88 Long
<input type="checkbox"/>	19	3	203038 Carriage Bolt, 5/16-18 x 2-3/4 Long	<input type="checkbox"/>	54	2	203103 Carriage Bolt, 5/16-18 x 2 Long
<input type="checkbox"/>	20	8	202862 Spacer, Plastic, 1.19" Long	<input type="checkbox"/>	55	1	204803 Screw, Phillips Head
<input type="checkbox"/>	21	7	206340 Lock Nut, 1/2-13	<input type="checkbox"/>	56	4	201682 Spacer, .530 I.D. x 1.875
<input type="checkbox"/>	22	2	203053 Carriage Bolt, 5/16-18 x 4 Long	<input type="checkbox"/>	57	6	202532 Bolt, Hex, 1/2-13 x 9.5"
<input type="checkbox"/>	23	1	204872 Label, Height Indicator	<input type="checkbox"/>	58	1	904866 Height Adjustment Rod
<input type="checkbox"/>	24	2	204858 Spacer, Plastic, Biscuit	<input type="checkbox"/>	59	1	204855 Handle, Left
<input type="checkbox"/>	25	1	207103 Pole Cap	<input type="checkbox"/>	60	1	204856 Handle, Right
<input type="checkbox"/>	26	1	204853 Lanyard, Black Coil	<input type="checkbox"/>	61	1	900033 Bracket, Slam Jam
<input type="checkbox"/>	27	1	204850 Pin, Locking				
<input type="checkbox"/>	28	1	204832 Bracket, Pole Mount				
<input type="checkbox"/>	29	4	206360 Hex Bolt, 3/8-16 x 2.625				
<input type="checkbox"/>	30	6	203063 Nylon Insert Lock Nut, 3/8-16				
<input type="checkbox"/>	31	4	201124 Lock Nut, 3/8-16				
<input type="checkbox"/>	32	2	900867 Plate, Triangle				
<input type="checkbox"/>	33	2	904807 Elevator Tube, Upper - Short				
<input type="checkbox"/>	34	2	900183 Elevator Tube, Lower - Long				
<input type="checkbox"/>	35	2	204859 Cover, Pin Slide				

*You may have extra parts with this model.

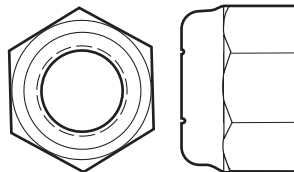
HARDWARE IDENTIFIER (NUTS, WASHERS & METAL SPACERS)



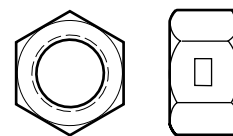
Item #14 (2)



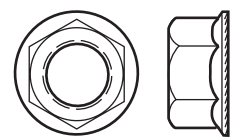
Item #30 (4)



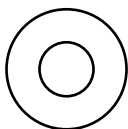
Item #21 (7)



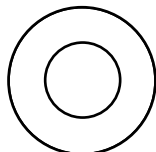
Item #31 (4)



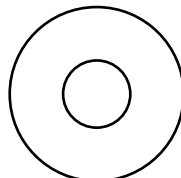
Item #11 (15)*



Item #47 (6)*



Item #50 (4)

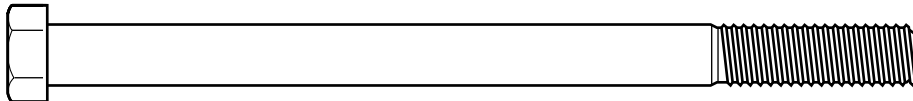


Item #10 (18)*

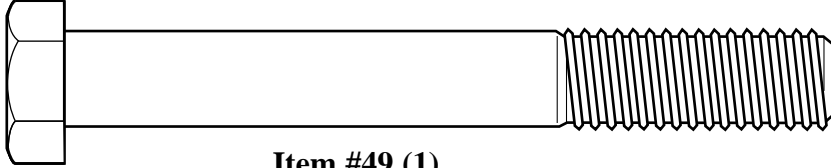


Item #43 (2)

HARDWARE IDENTIFIER (BOLTS & SCREWS)



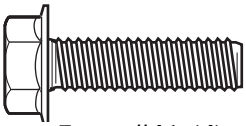
Item #13 (2)



Item #49 (1)



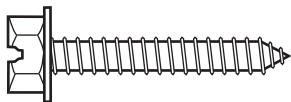
Item #29 (4)



Item #41 (4)



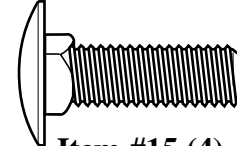
Item #55 (1)



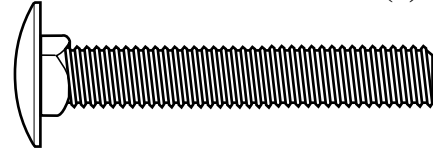
Item #46 (6)



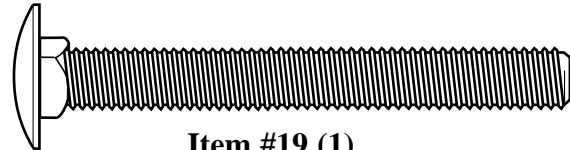
Item #9 (6)



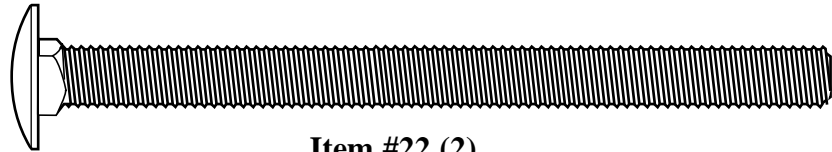
Item #15 (4)



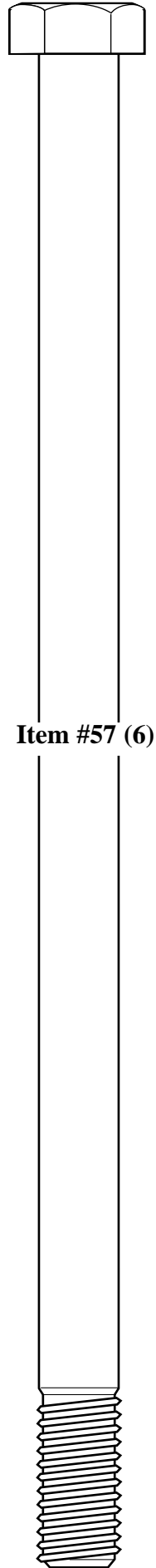
Item #54 (2)



Item #19 (1)



Item #22 (2)

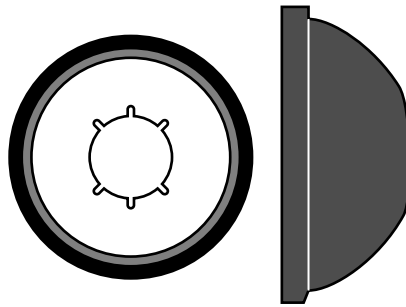


Item #57 (6)

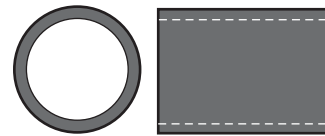
HARDWARE IDENTIFIER (PLASTIC SPACERS & CAPS)



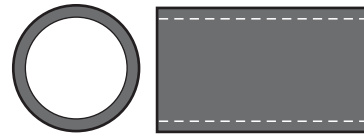
Item #17 (1)



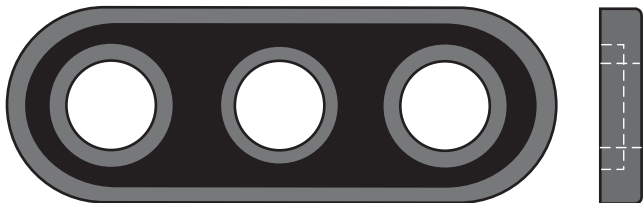
Item #7 (2)



Item #53 (4)



Item #20 (8)

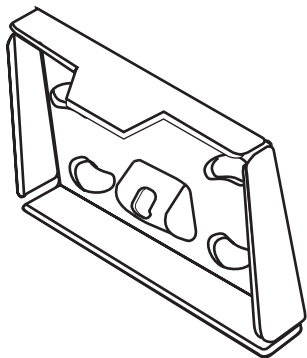


Item #24 (2)

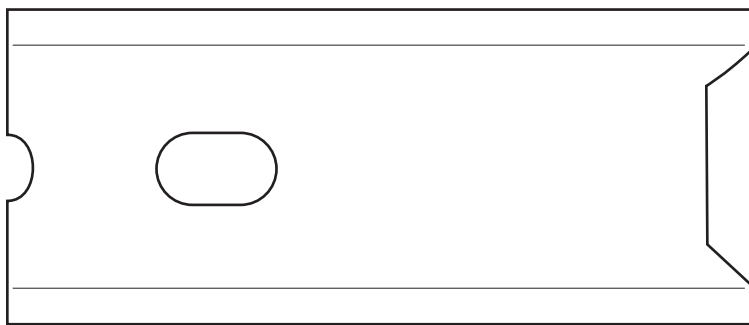


Item #56 (4)

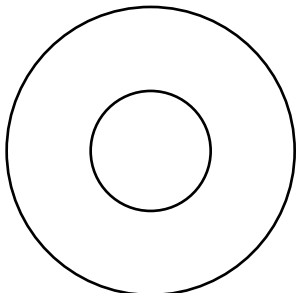
HARDWARE IDENTIFIER (OTHER)



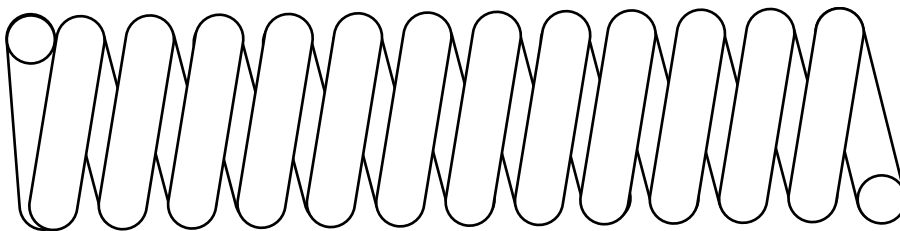
Item #61 (1)



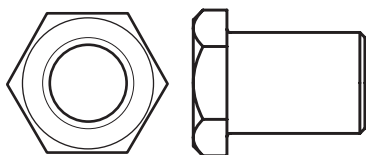
Item #44 (1)



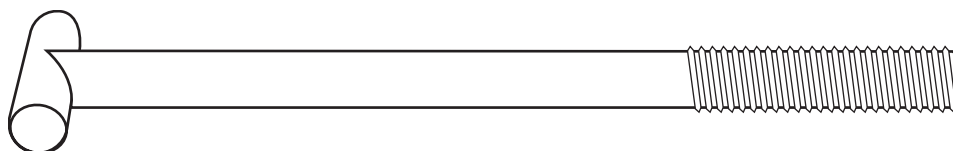
Item #45 (1)



Item #46 (1)

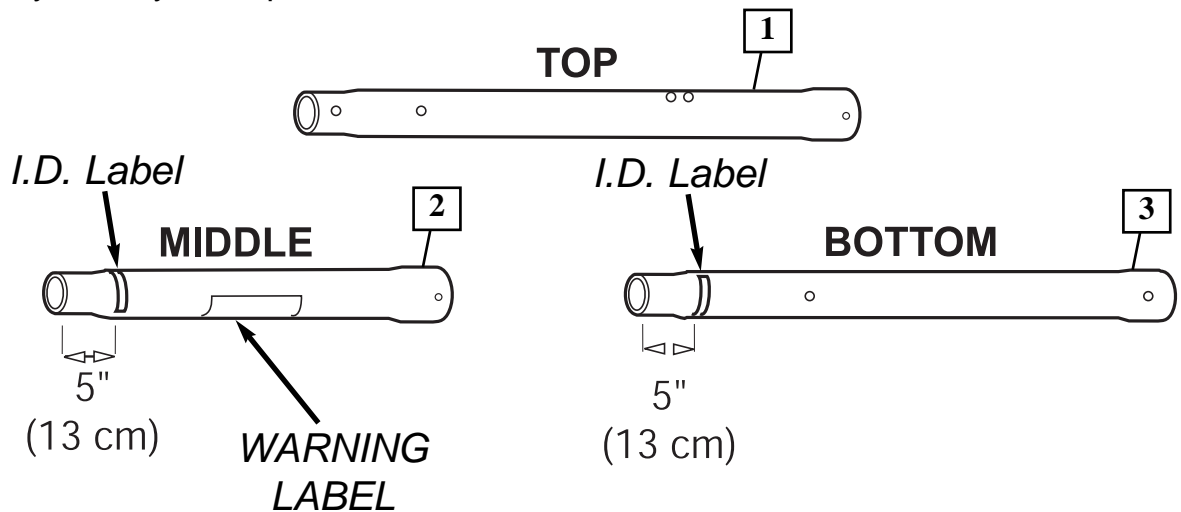


Item #47 (1)



Item #48 (1)

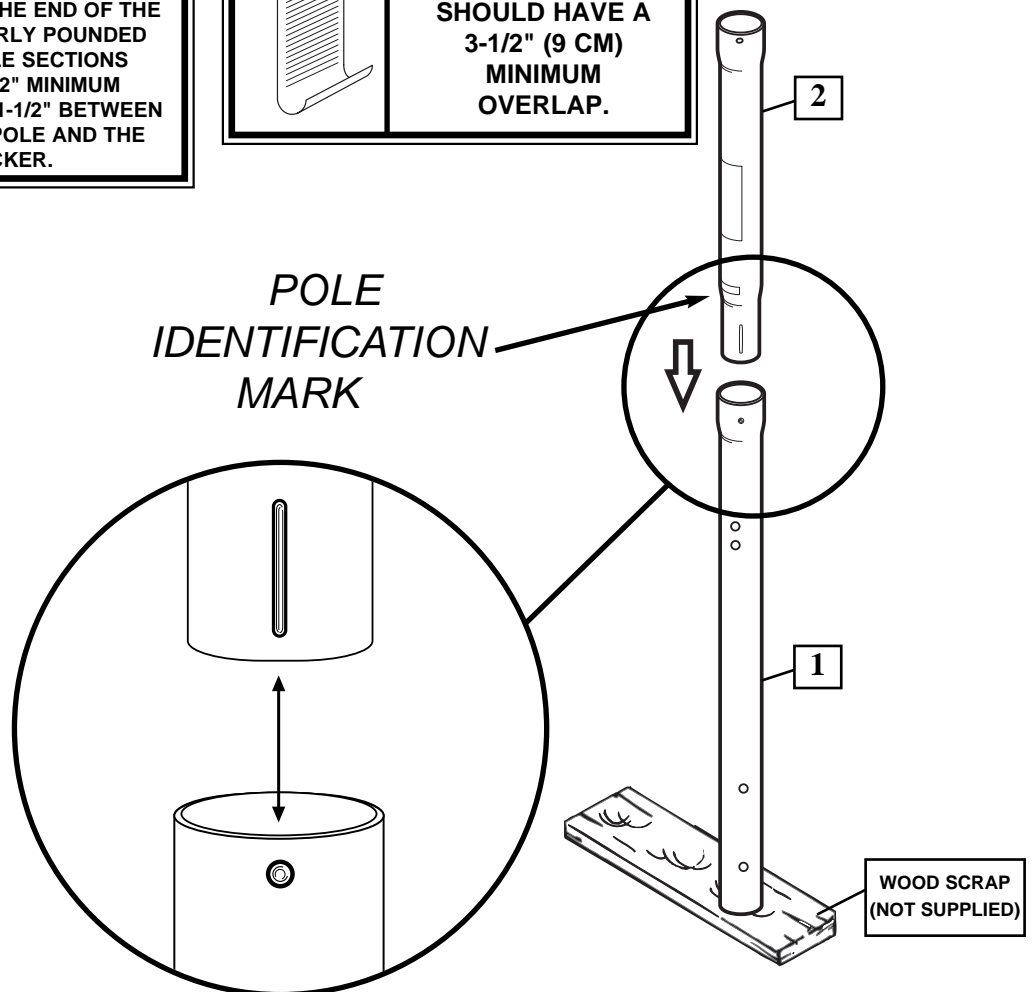
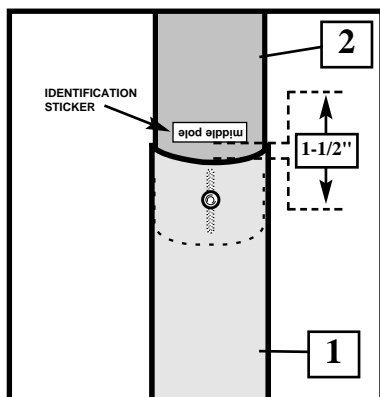
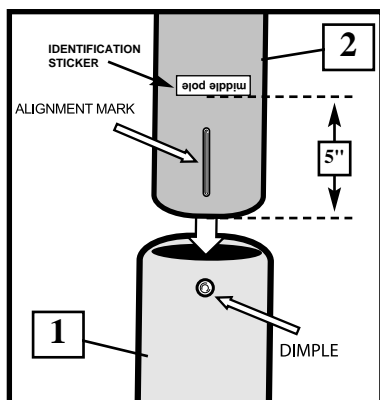
1. Correctly identify each pole section.




2. Bounce middle pole (2) into top pole section (1) using a wood scrap as shown until top pole no longer moves toward pole identification mark on middle pole.

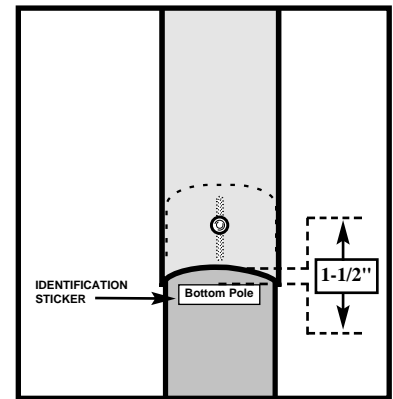
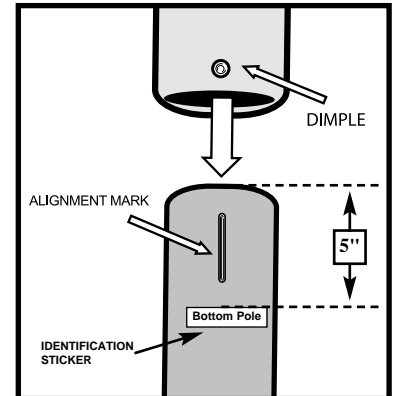
	CAUTION!
	THE IDENTIFICATION STICKER IS LOCATED 5" FROM THE END OF THE POLE. WHEN PROPERLY POUNDED TOGETHER, THE POLE SECTIONS SHOULD HAVE A 3-1/2" MINIMUM OVERLAP, LEAVING 1-1/2" BETWEEN THE OVERLAPPING POLE AND THE IDENTIFICATION STICKER.

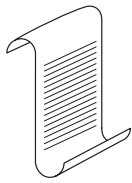
	NOTE:
	POLE SECTIONS SHOULD HAVE A 3-1/2" (9 CM) MINIMUM OVERLAP.



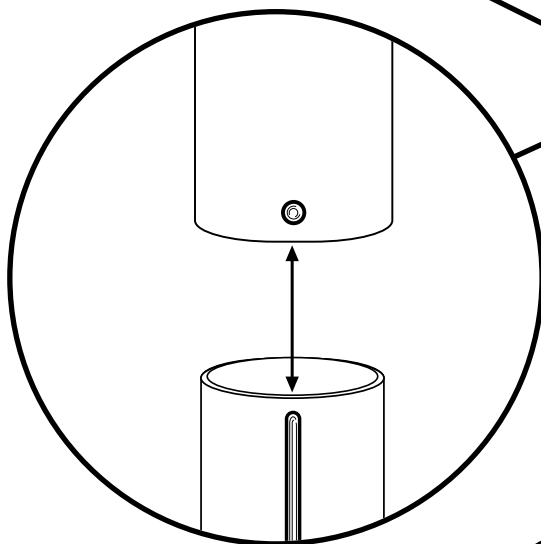
- 3.** Align dimple of middle pole with slot of bottom pole. While maintaining alignment, bounce top and middle pole assembly (1 & 2) onto lower pole section (3) as shown until they no longer move toward pole identification mark.

	⚠ CAUTION!
	<p>THE IDENTIFICATION STICKER IS LOCATED 5" FROM THE END OF THE POLE. WHEN PROPERLY POUNDED TOGETHER, THE POLE SECTIONS SHOULD HAVE A 3-1/2" MINIMUM OVERLAP, LEAVING 1-1/2" BETWEEN THE OVERLAPPING POLE AND THE IDENTIFICATION STICKER.</p>

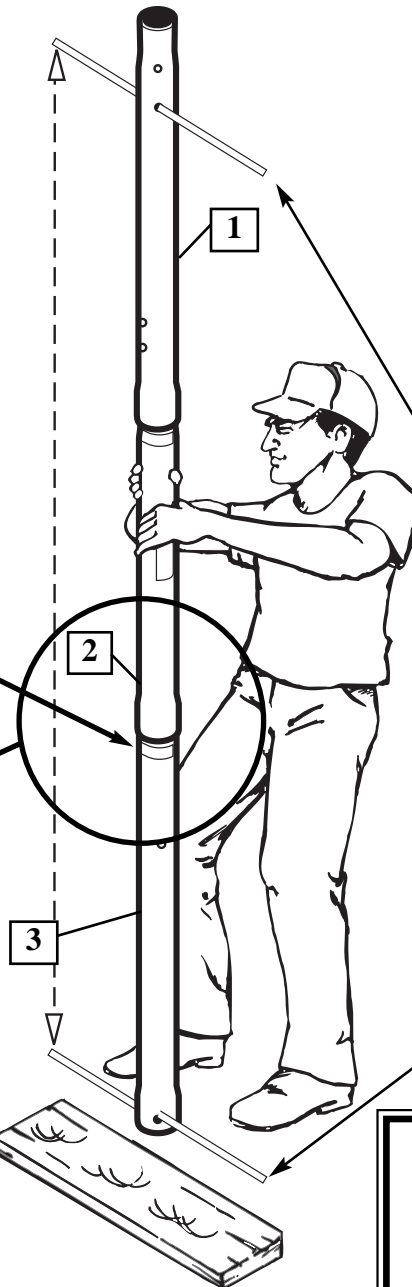


	NOTE:
	<p>POLE SECTIONS SHOULD HAVE A 3-1/2" (9 CM) MINIMUM OVERLAP.</p>


POLE IDENTIFICATION MARK



WOOD SCRAP
(NOT SUPPLIED)

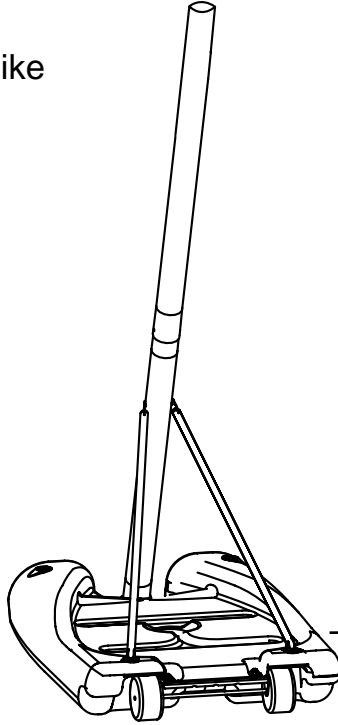


RODS SHOWN ARE FOR VISUAL REPRESENTATION OF ALIGNMENT AND ARE NOT SUPPLIED WITH THE HARDWARE

	IMPORTANT!
	<p>Holes in top (1) and bottom (3) pole sections MUST align to correctly position elevator system toward playing surface.</p>

SECTION B: ASSEMBLE THE BASE

This is what your system will look like when you've finished this section:



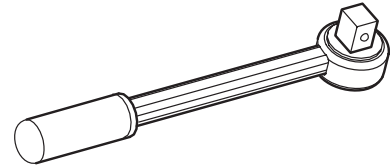
TOOLS REQUIRED FOR THIS SECTION

(2) 1/2"

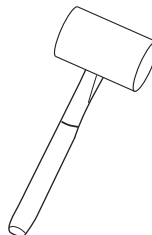
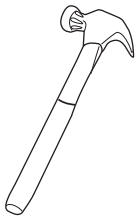


AND/OR

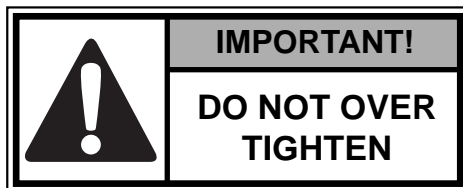
(2)



1/2"

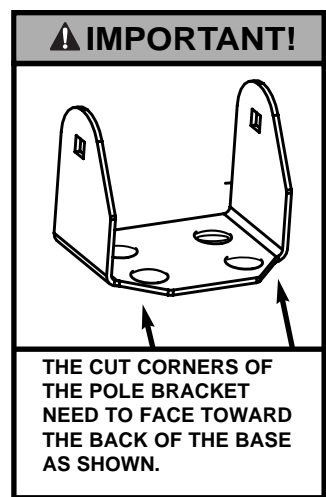
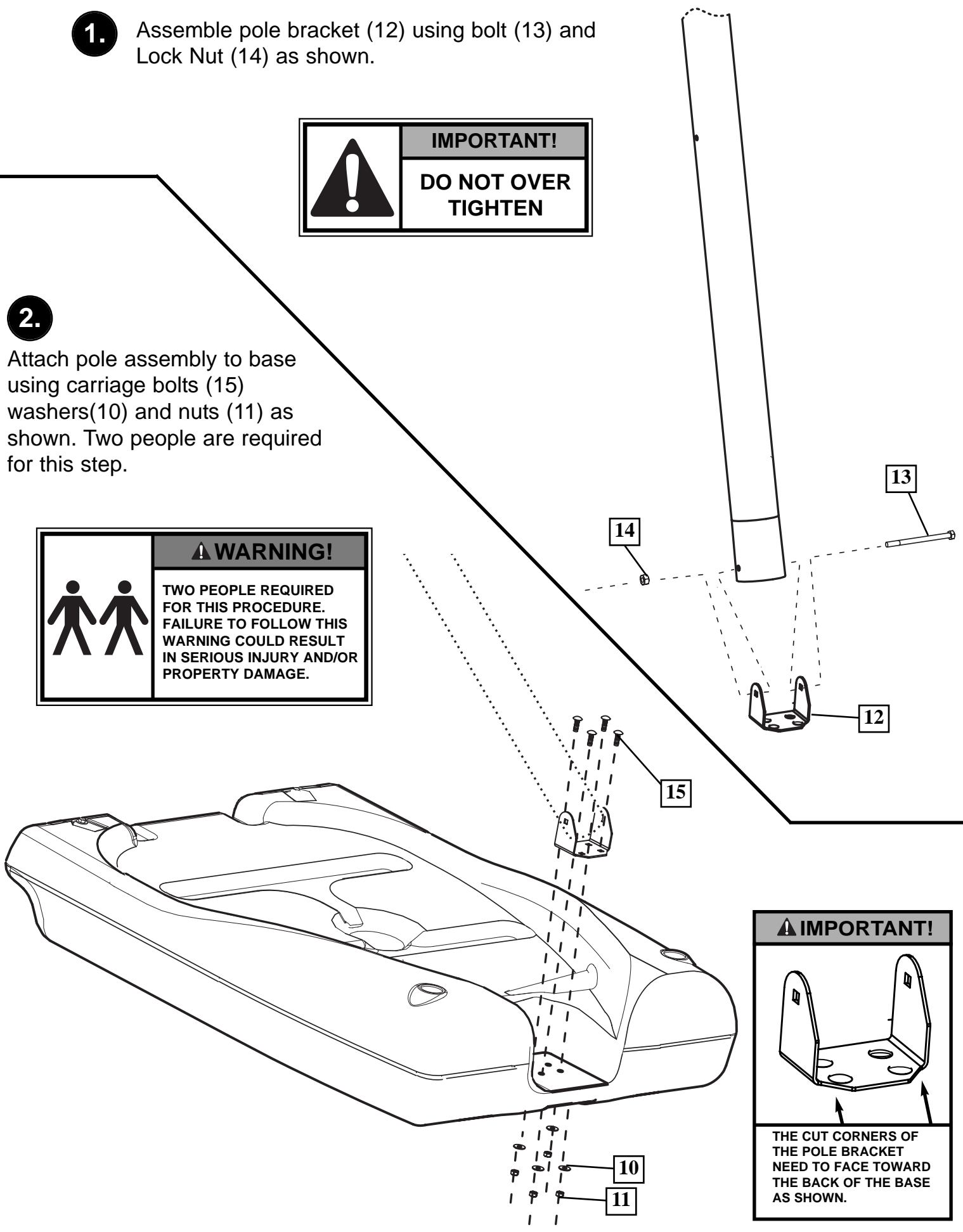
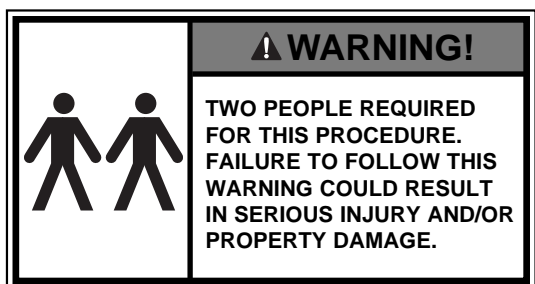


- 1.** Assemble pole bracket (12) using bolt (13) and Lock Nut (14) as shown.

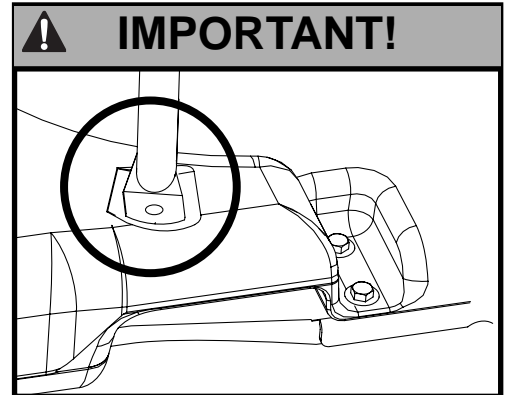
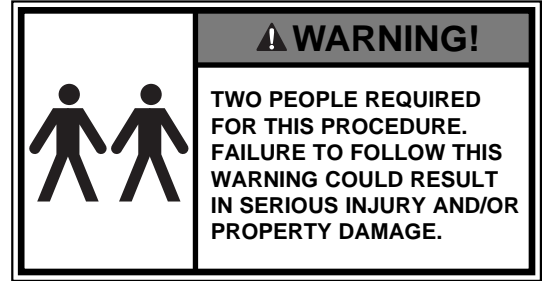
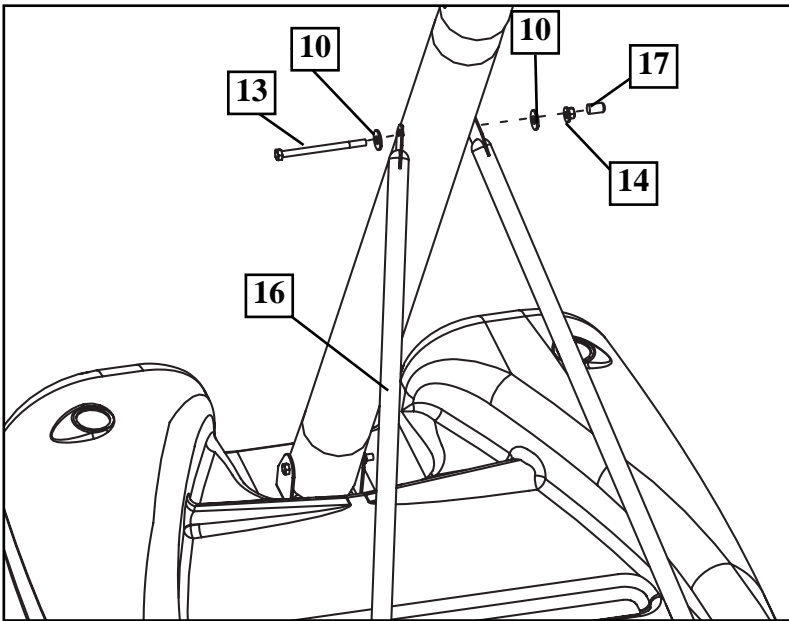


2.

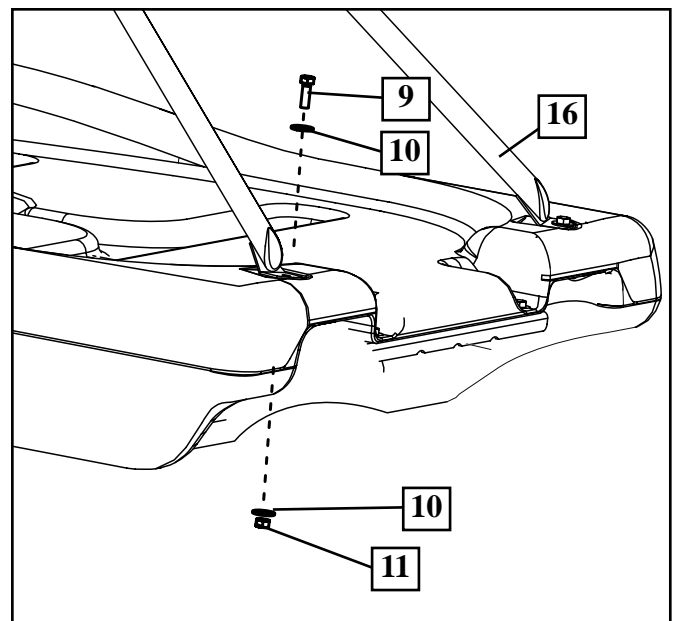
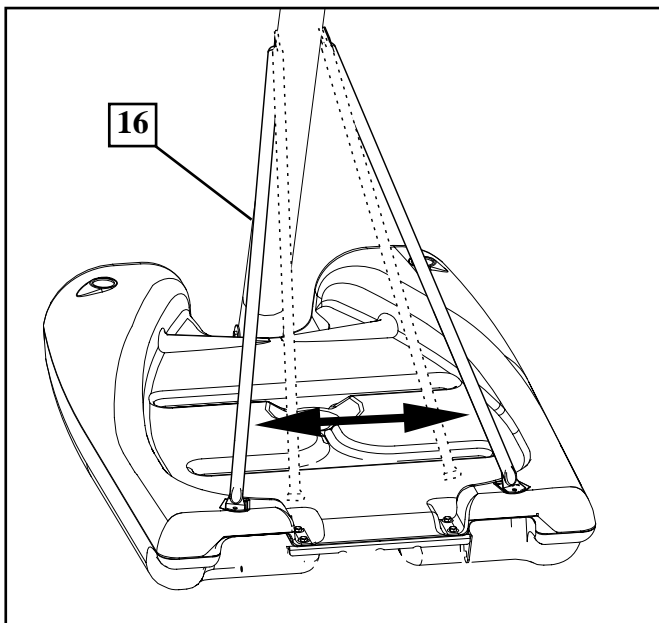
Attach pole assembly to base using carriage bolts (15) washers(10) and nuts (11) as shown. Two people are required for this step.



- 3.** Secure tank struts (16) to pole as shown. Nut should be tightened until flush (even) with lock nuts outer edge. Place cap (17) over exposed end of bolt as shown.

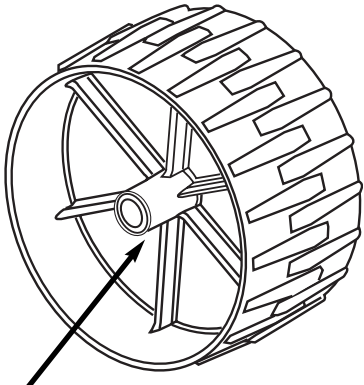


- 4.** Rotate non-secured ends of tank struts (16) outward to mounting holes in tank as shown. Secure ends of tank struts (16) to tank as shown. Repeat for opposite side.

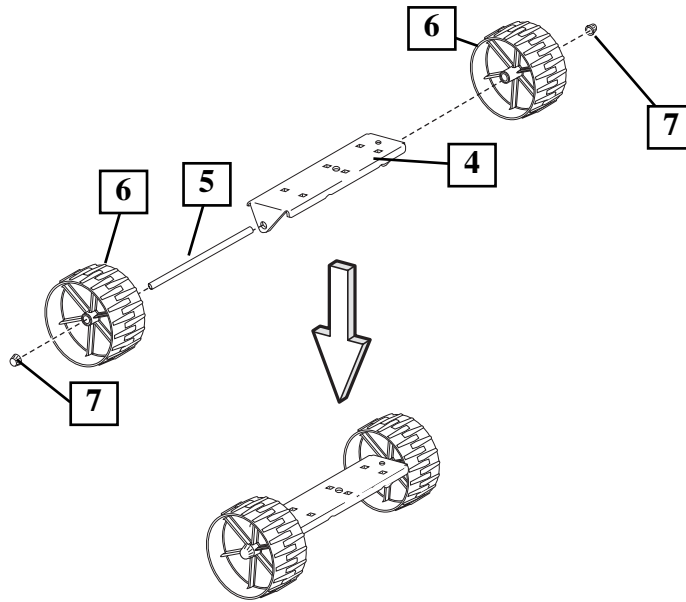


- 5.** Insert axle (5) through wheel bracket (4). Secure wheels (6) to axle using pushnuts (7). Carefully tap pushnuts onto axle with hammer or mallet

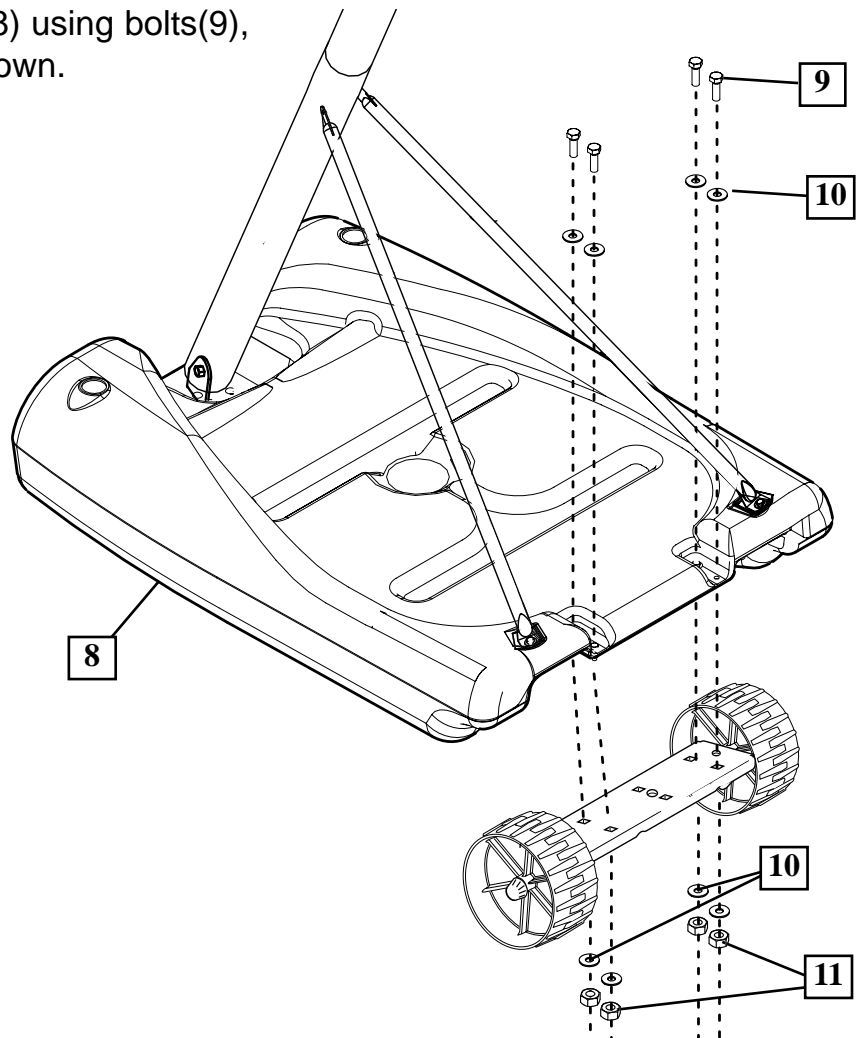
▲ IMPORTANT!



SIDE OF WHEEL WITH LONGER PLASTIC AXLE NEEDS TO FACE THE WHEEL BRACKET.

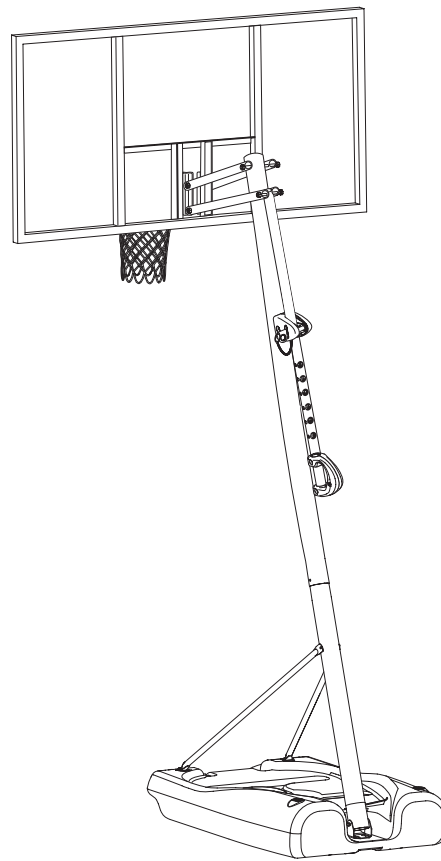


- 6.** Install wheel assembly to base (8) using bolts(9), washers(10) and nuts (11) as shown.



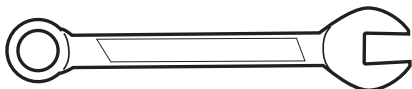
SECTION C: ASSEMBLE THE ELEVATOR & BACKBOARD

This is what your system will look like when you've finished this section:

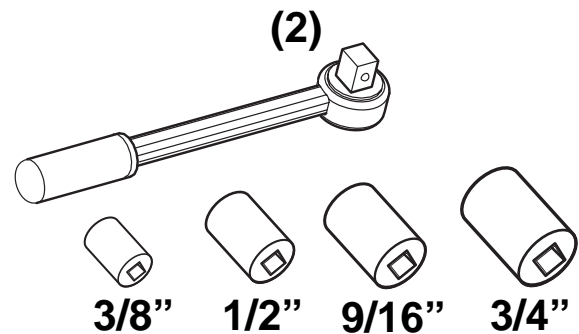


TOOLS REQUIRED FOR THIS SECTION

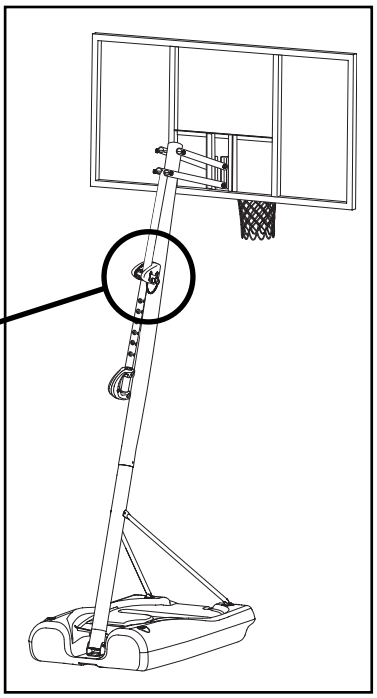
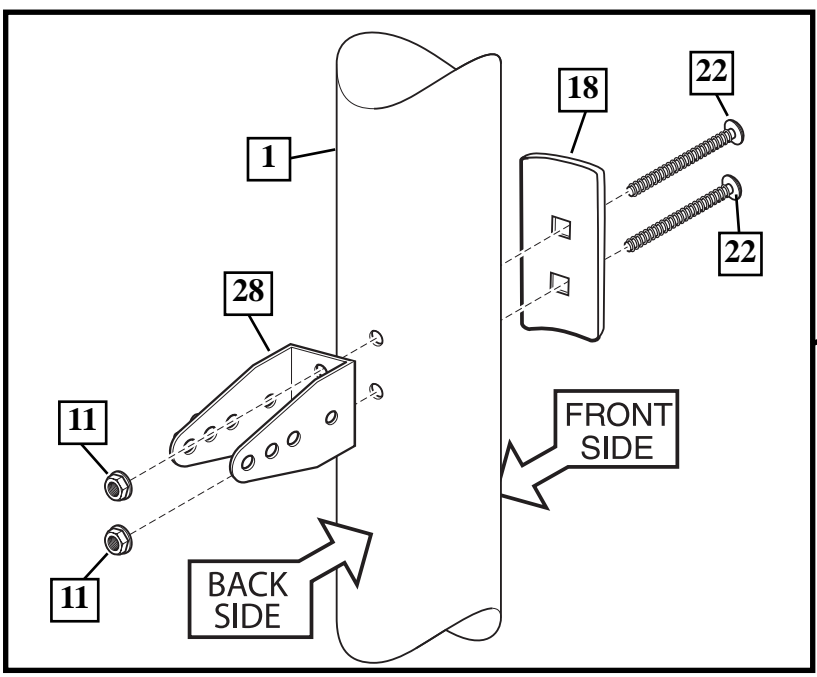
(1) 3/8", (2) 1/2", (2) 9/16" and
(2) 3/4"




AND/OR

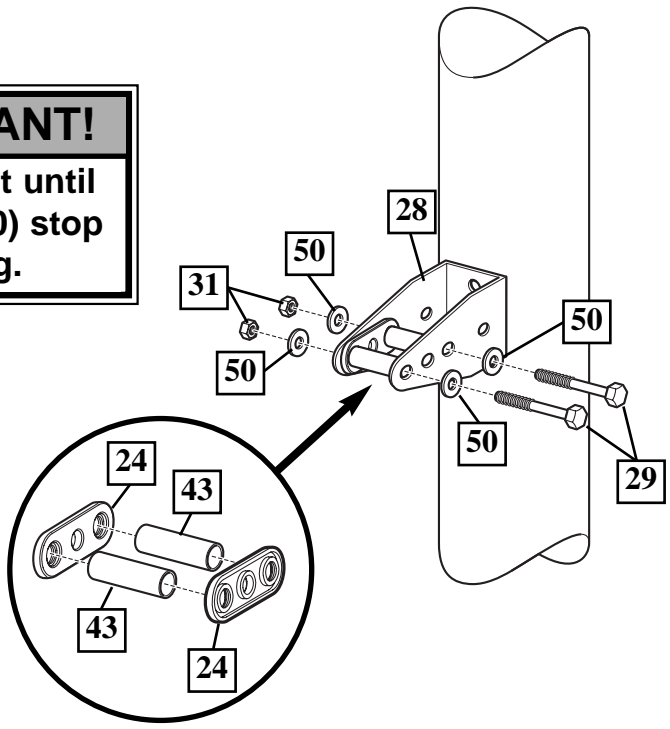


1. Install pole mount bracket (28) and reinforcement bracket (18) with carriage bolts (22) as shown. Tighten flange nuts (11) completely.

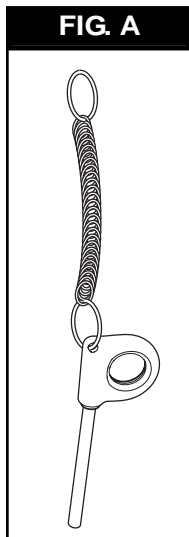


2. Attach spacers (24, 43) to pole mount bracket (28) with bolts (29), washers (50), and lock nuts (31) as shown.

	IMPORTANT!
	Tighten just until washers (50) stop moving.

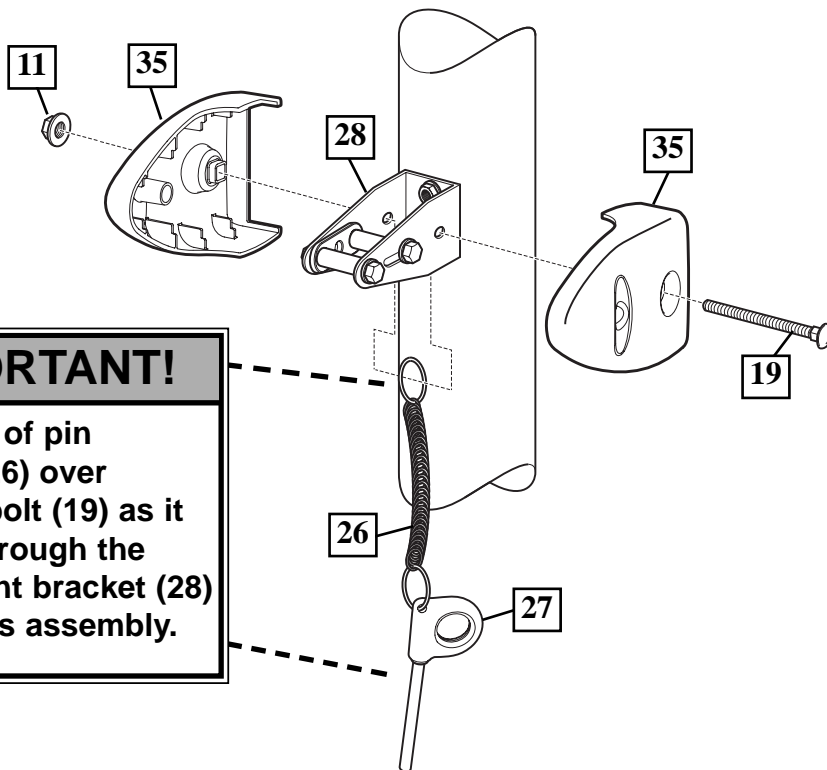


3. Assemble lanyard (26) to locking pin (27) as shown (FIG A). Attach covers (35) onto pole mount bracket (28) with carriage bolt (19) and nut (11) as shown.



IMPORTANT!

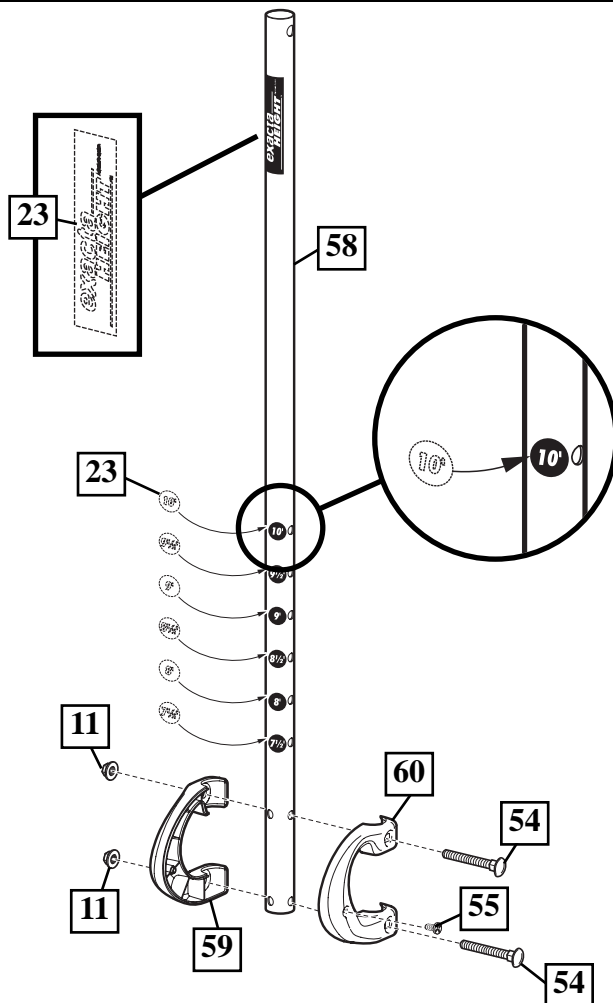
Loop end of pin lanyard (26) over carriage bolt (19) as it passes through the pole mount bracket (28) during this assembly.



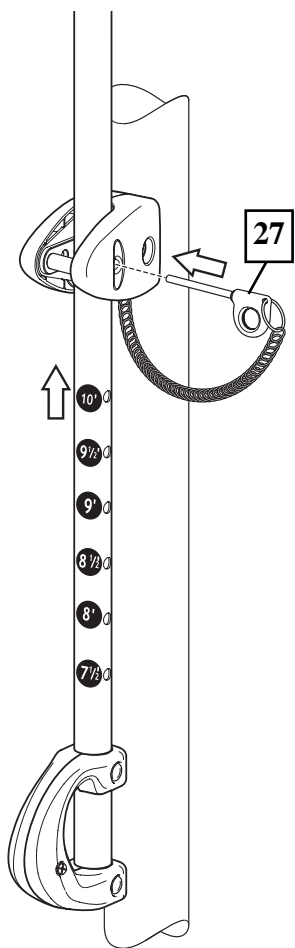
4. Apply logo and height indicator labels (23) to adjustment rod (58) as shown. Attach handle parts (59, 60) to adjustment rod with screw (55), carriage bolts (54), and flange nuts (11) as shown.

IMPORTANT!

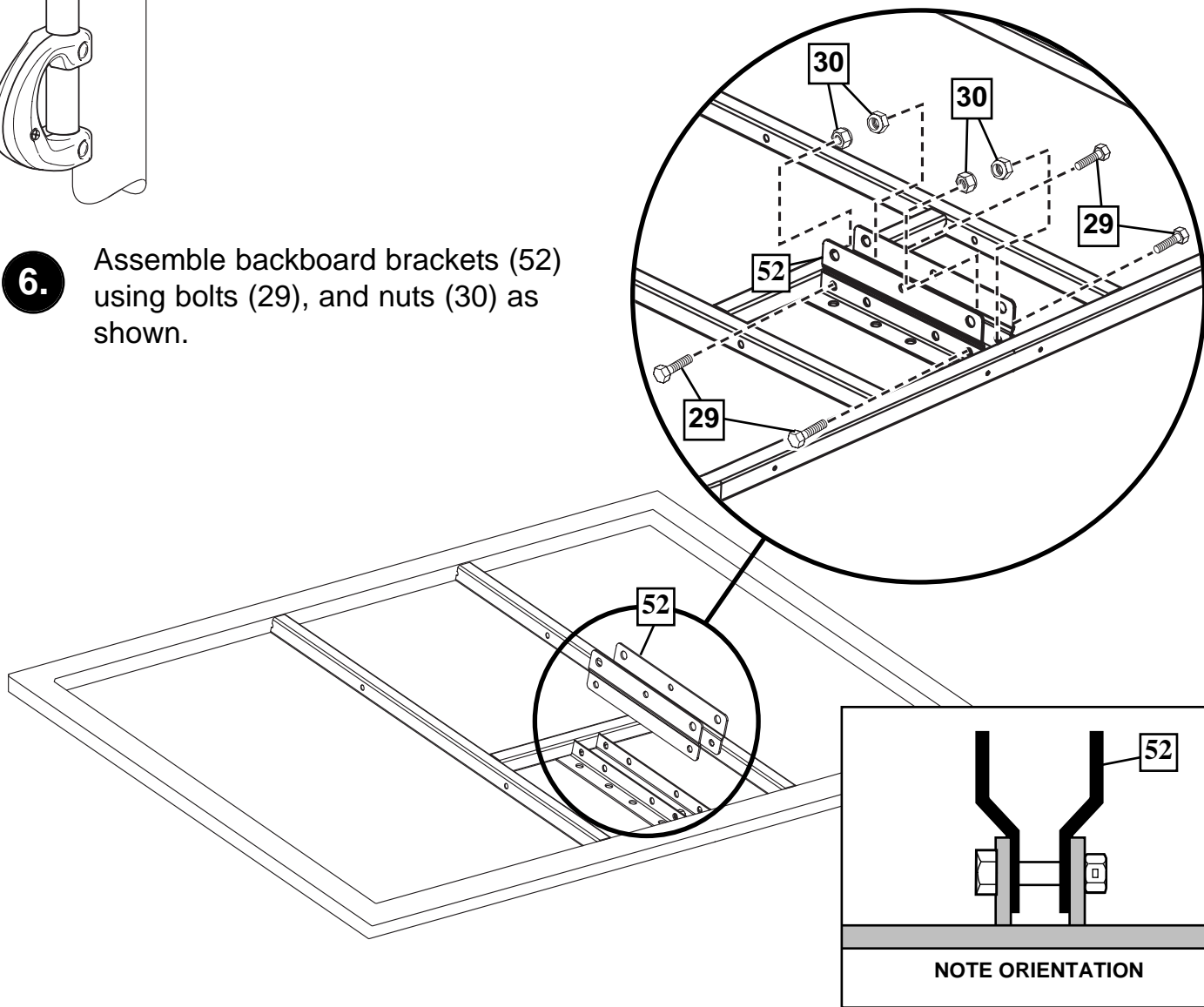
Indicator labels should be applied as close to holes as possible to prevent labels from being damaged during height adjustment.



- 5.** Insert handle assembly through pole mount assembly as shown. Lock pole assembly in place at the 10' (3.05 m) mark with pin (27).



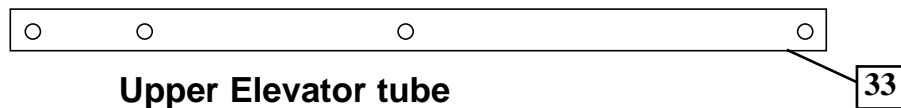
- 6.** Assemble backboard brackets (52) using bolts (29), and nuts (30) as shown.



NOTE ORIENTATION

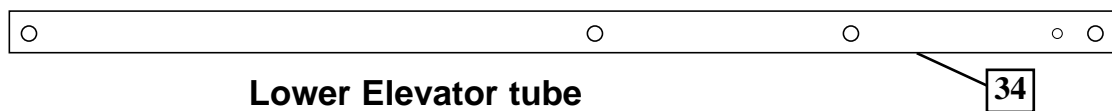
8. Identify elevator tubes (33 & 34).

Toward Board



Toward Pole

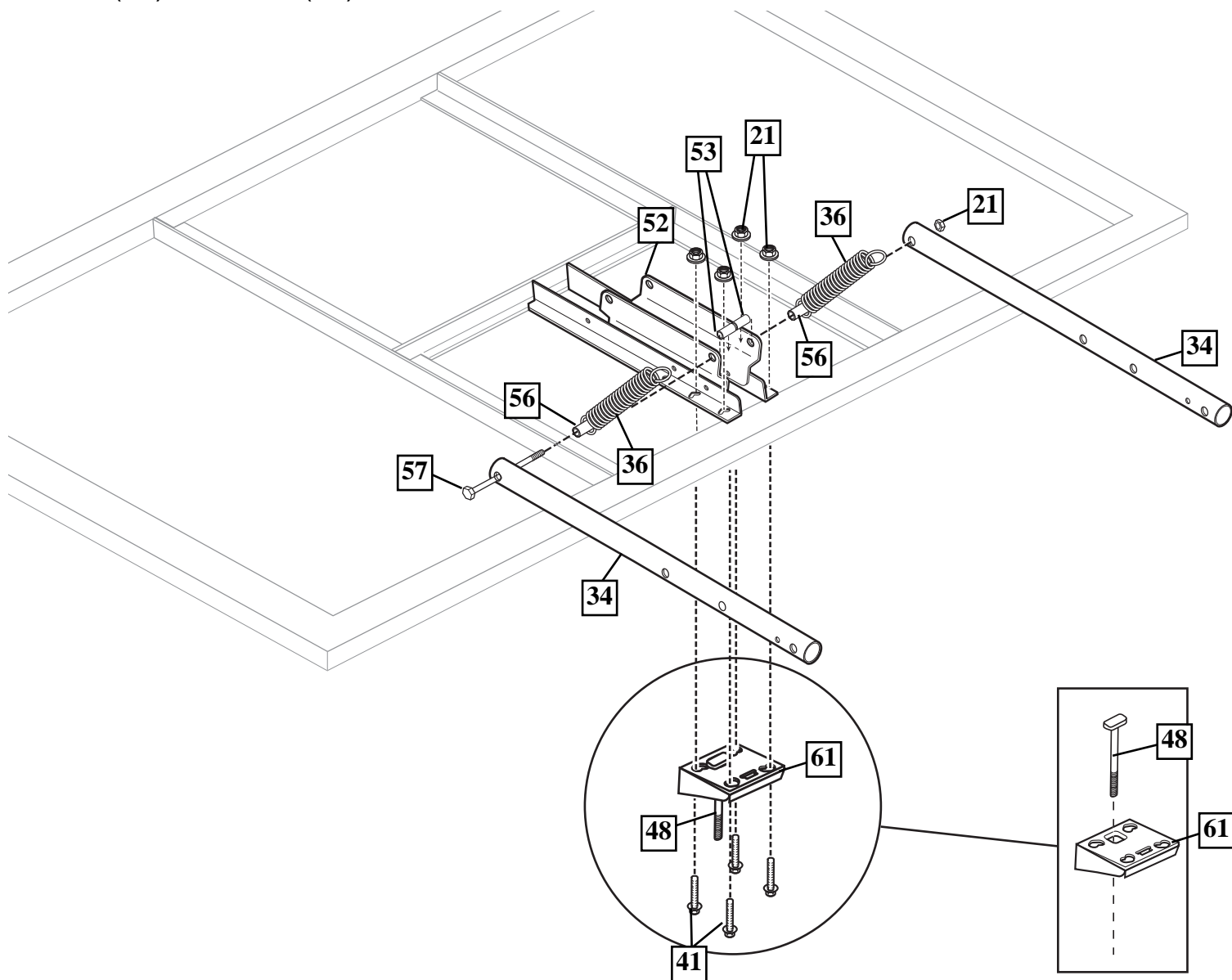
Toward Board



Toward Pole

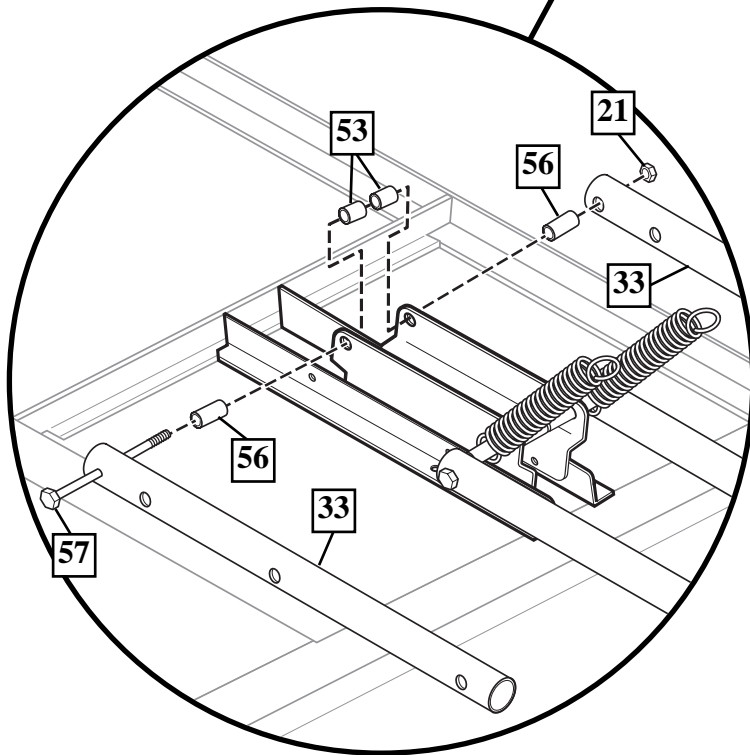
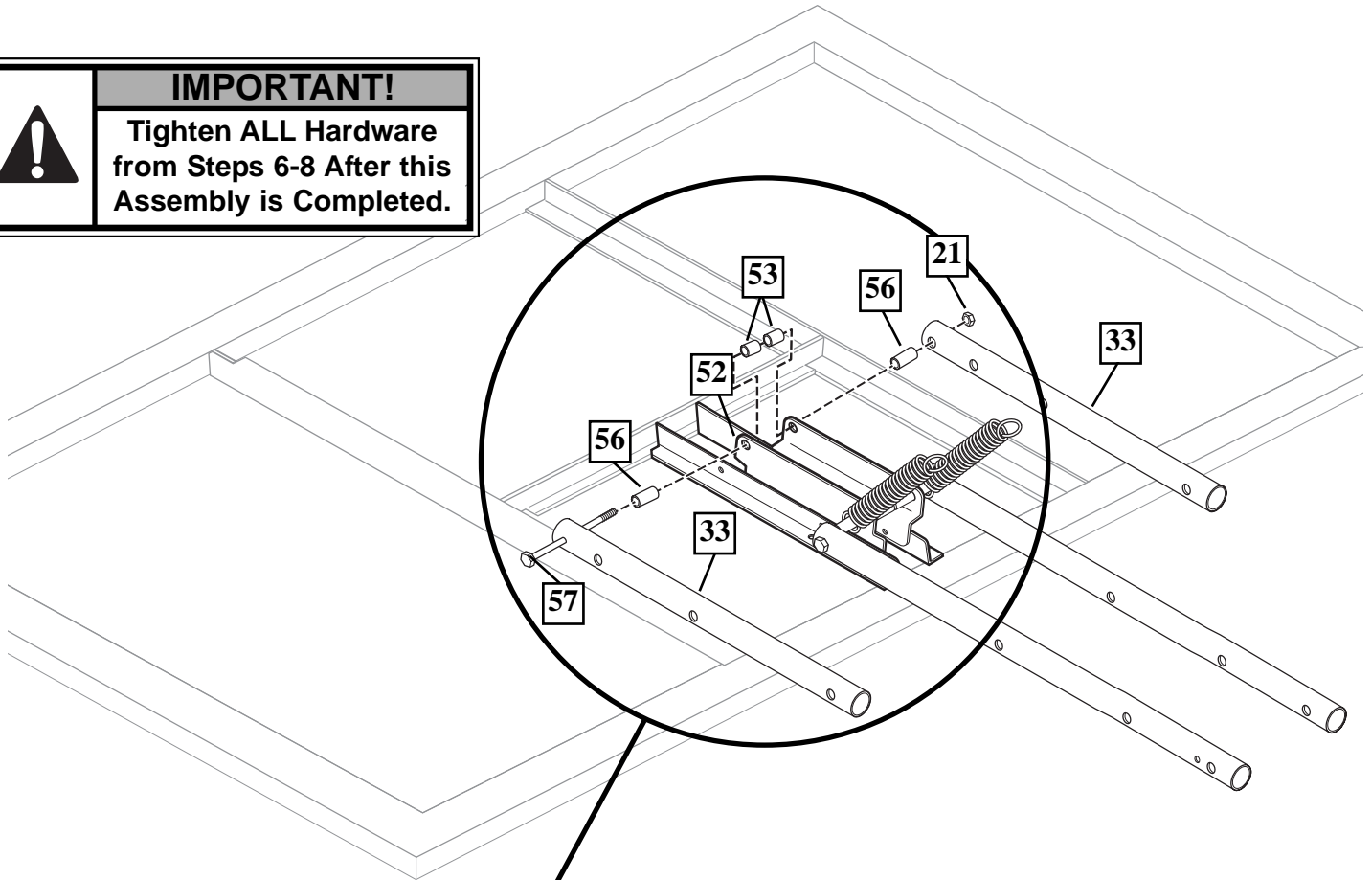
Attach lower elevator tubes (34) and counter balance spring (36) to backboard support brackets (52) using spacers (53 & 56), bolt (57), and nut (21) as shown.

Insert T-bolt (48) into rim bracket (61) then, attach that assembly to board using bolts (41) and nuts (21).

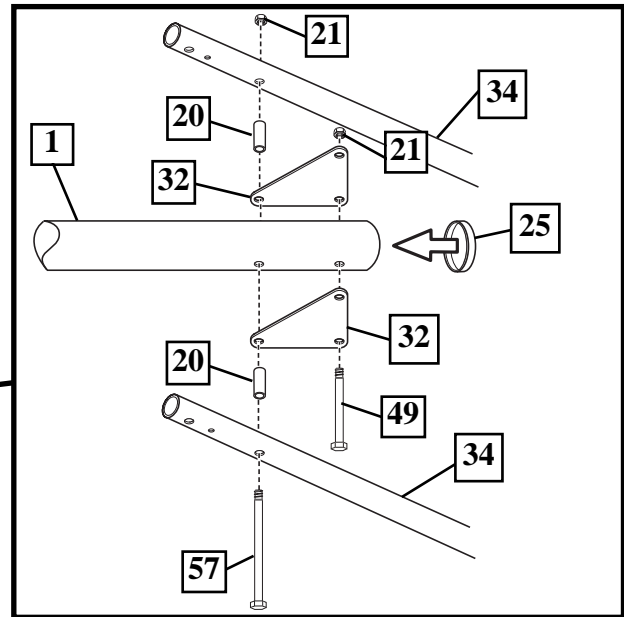
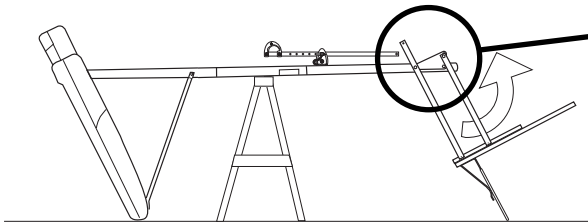


9. Attach upper elevator tubes (33) to backboard support brackets (52) using spacers (53), bolt (57), and nut (21) as shown.

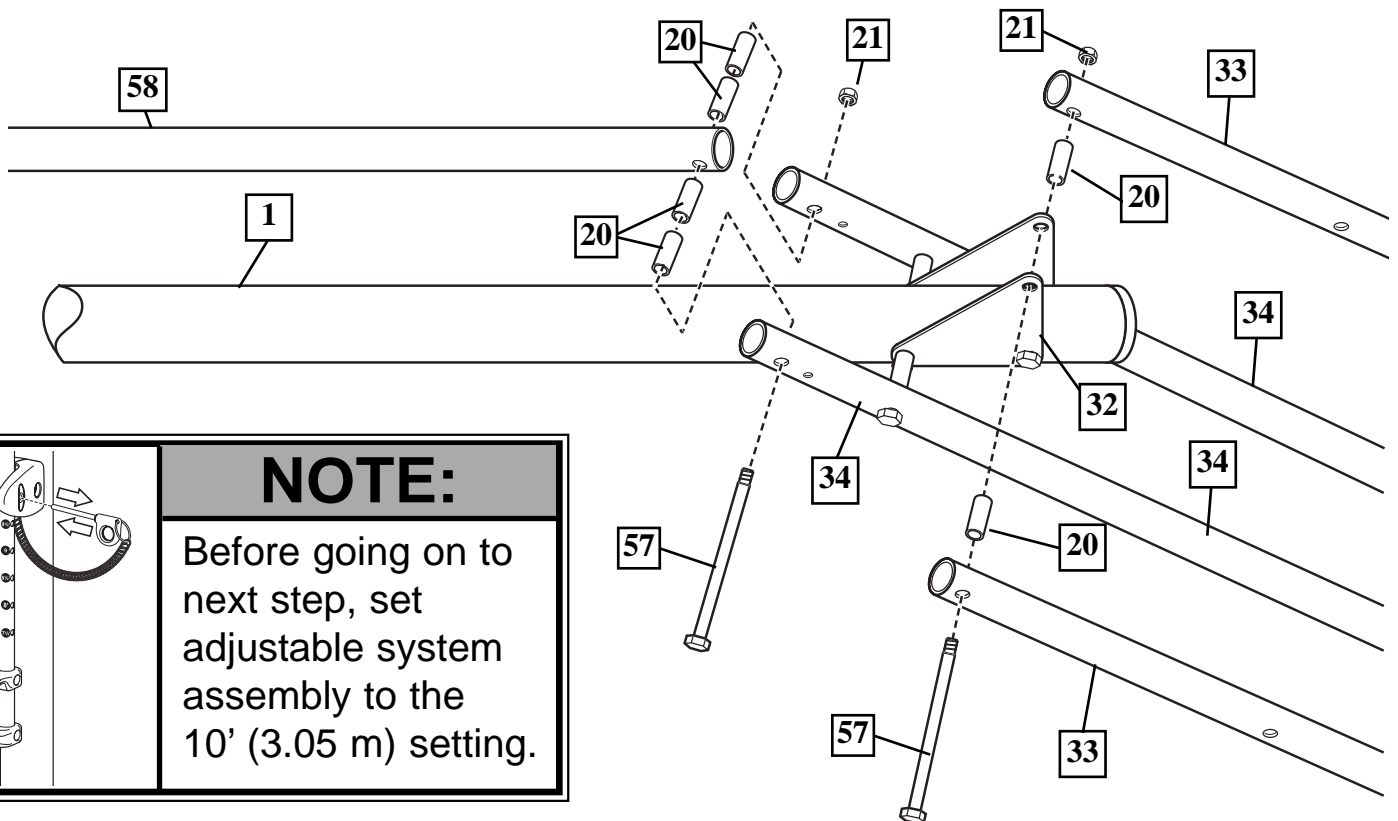
	IMPORTANT!
	Tighten ALL Hardware from Steps 6-8 After this Assembly is Completed.



- 10.** Support pole on sawhorse. Attach backboard assembly to top pole section (4) as shown. Install pole cap (25).



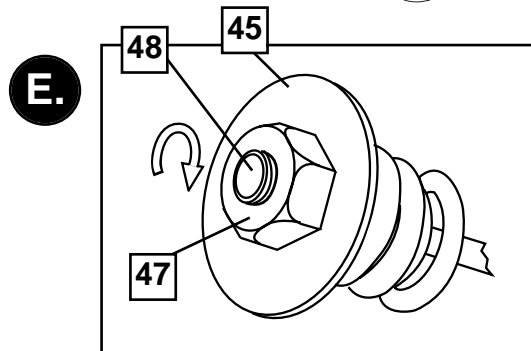
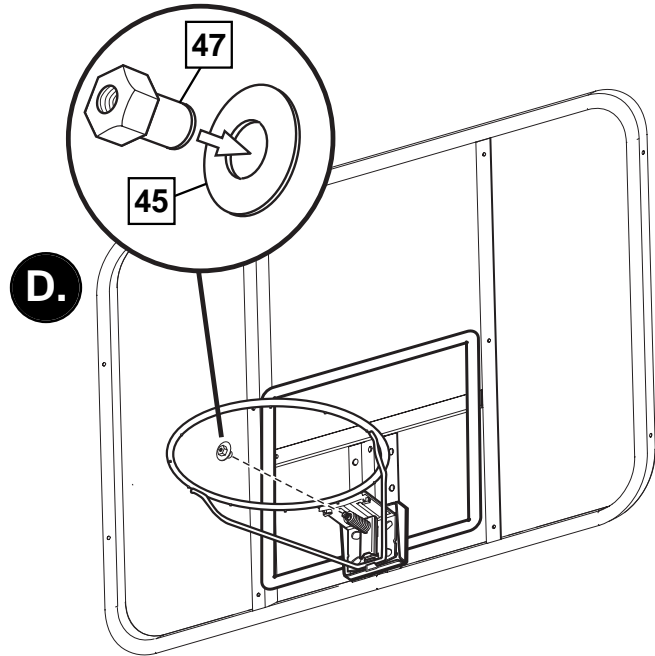
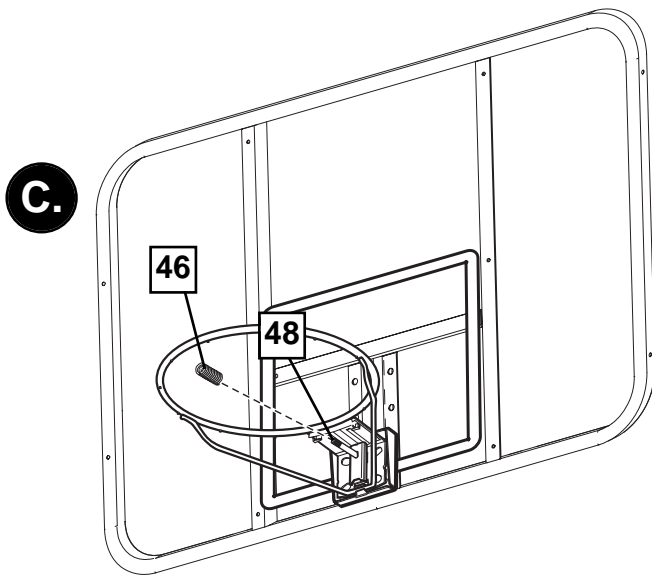
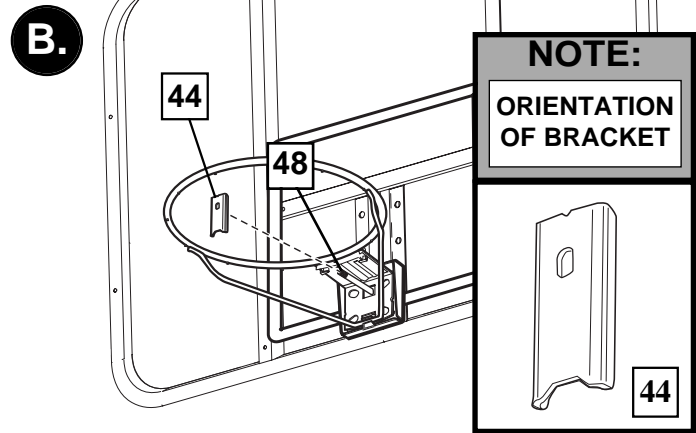
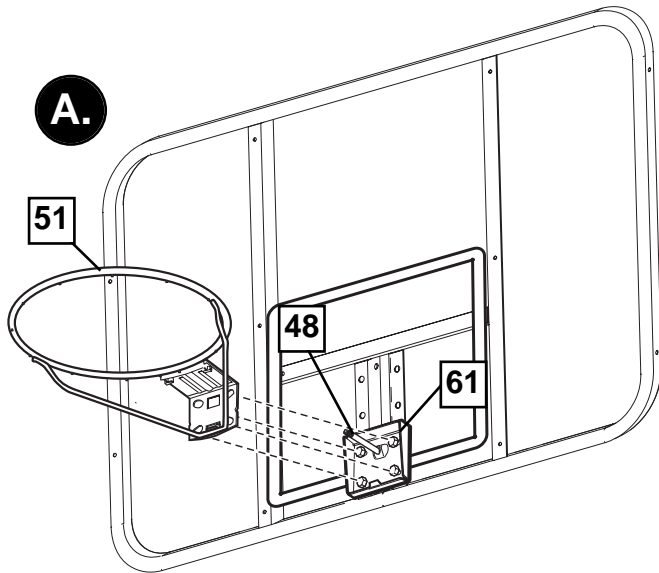
- 11.** Install upper elevator tubes (33) to triangle plates (45) as shown. Install handle assembly to lower elevator tubes (34) using bolt (57), spacers (20), and nut (21) as shown.



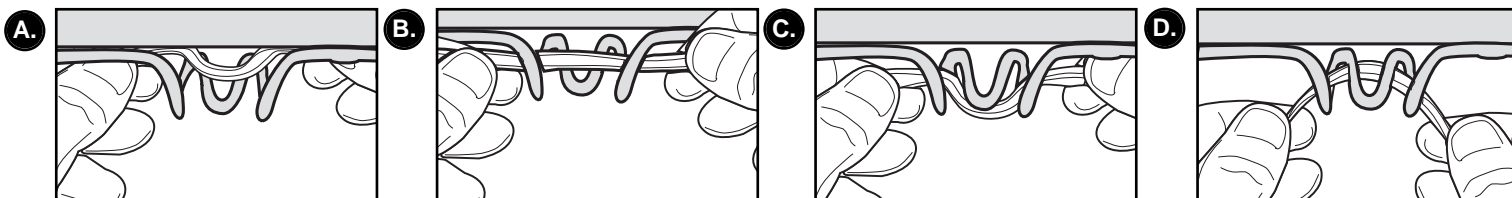
	<p>NOTE:</p> <p>Before going on to next step, set adjustable system assembly to the 10' (3.05 m) setting.</p>
--	--

12.**Install Rim to Backboard**

- A. Fit rim (51) securely into bracket (61) as shown. Allow T-bolt (48) to slip through center hole in rim (51).
- B. Install reinforcement bracket (44) onto T-bolt (48) as shown.
- C. Install spring (46) onto T-bolt (48) as shown.
- D. Install special nut (47) and washer (45) onto T-bolt (48).
- E. Tighten special nut (47) until flush with end of T-bolt (48).

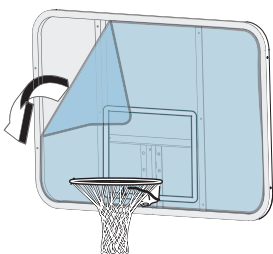


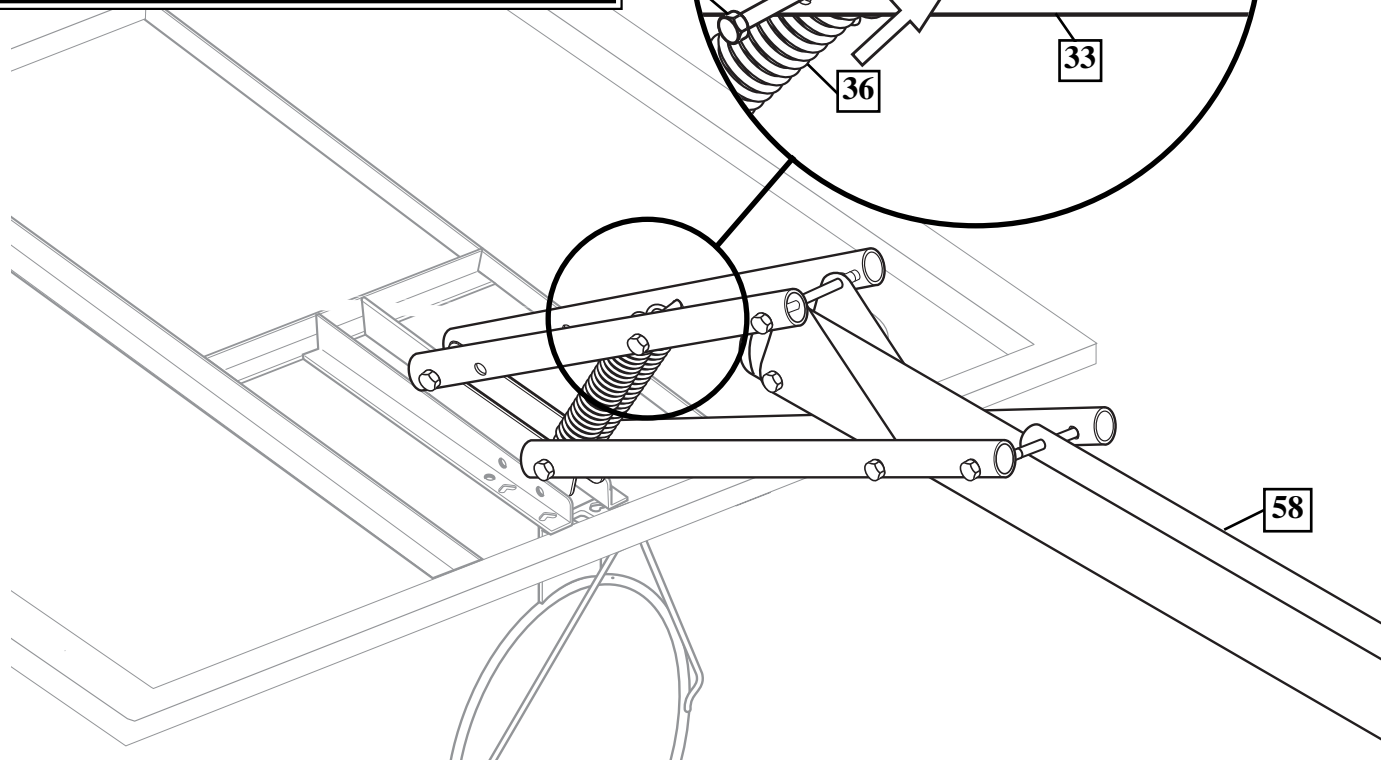
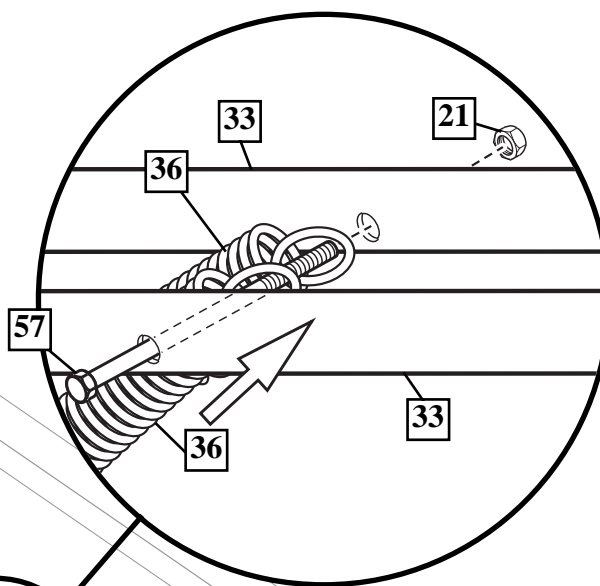
13. Install net (40).



14. Insert bolt (57) through left side upper elevator tube (33), then stretch spring (36) onto bolt (57). Insert bolt (57) through right side upper elevator tube (33) and secure with nut (21).

	<p>! WARNING!</p> <p>USE EYE PROTECTION WHEN INSTALLING SPRINGS.</p>
---	---

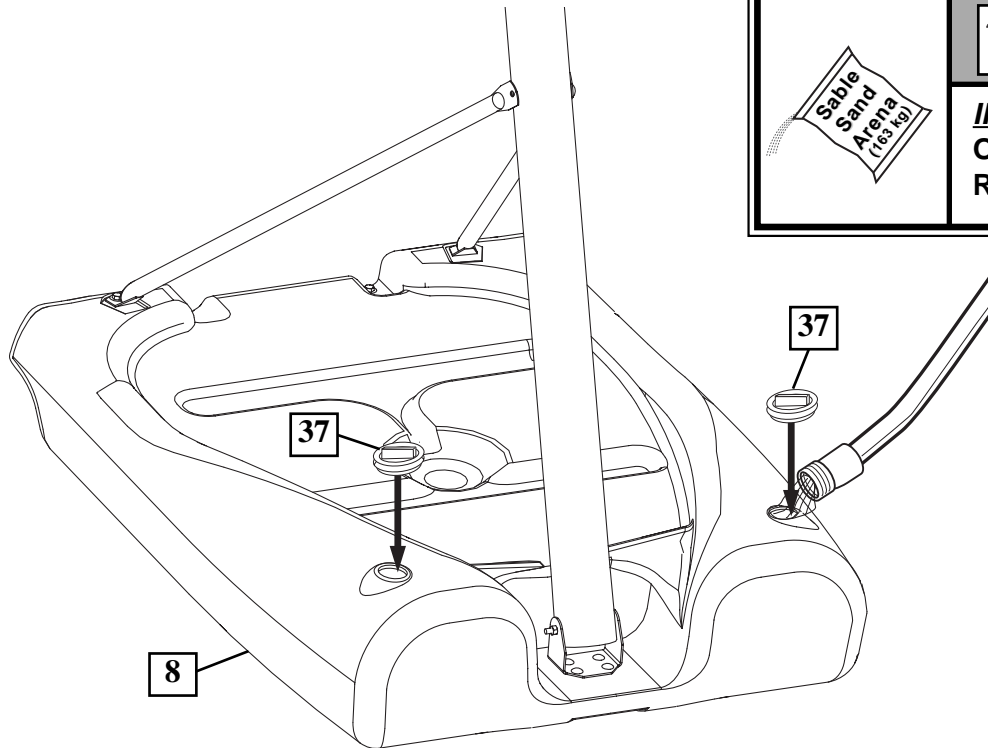
	<p>NOTE:</p> <p>Peel protective film from surface of acrylic backboard prior to use.</p>
--	---








FILL BASE

15.

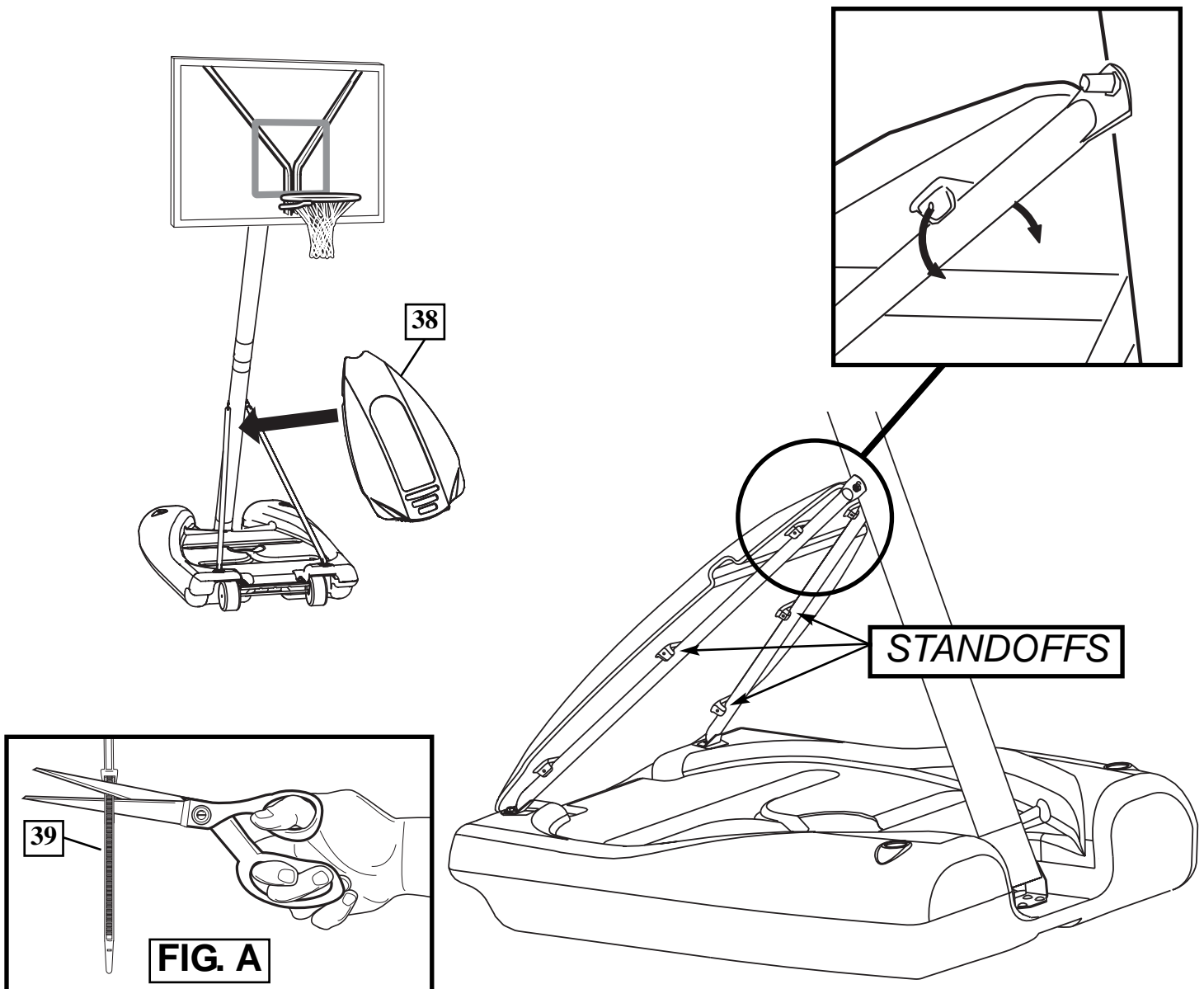
Roll assembly to desired playing area. Fill base (8) with water (approx. 40 gallons) and snap base plugs (37) in place.



	WARNING! TWO PEOPLE REQUIRED FOR THIS PROCEDURE. FAILURE TO FOLLOW THIS WARNING COULD RESULT IN SERIOUS INJURY AND/OR PROPERTY DAMAGE.
	WARNING! DO NOT LEAVE ASSEMBLY UNATTENDED WHEN EMPTY; IT MAY TIP OVER.
	CAUTION ADD TWO GALLONS (7.6 LITERS) OF NON-TOXIC ANTIFREEZE IN SUB-FREEZING CLIMATES.
	 NOTE <i>IF USING SAND:</i> 2 GALLONS OF ANTI-FREEZE IS <u>NOT</u> REQUIRED

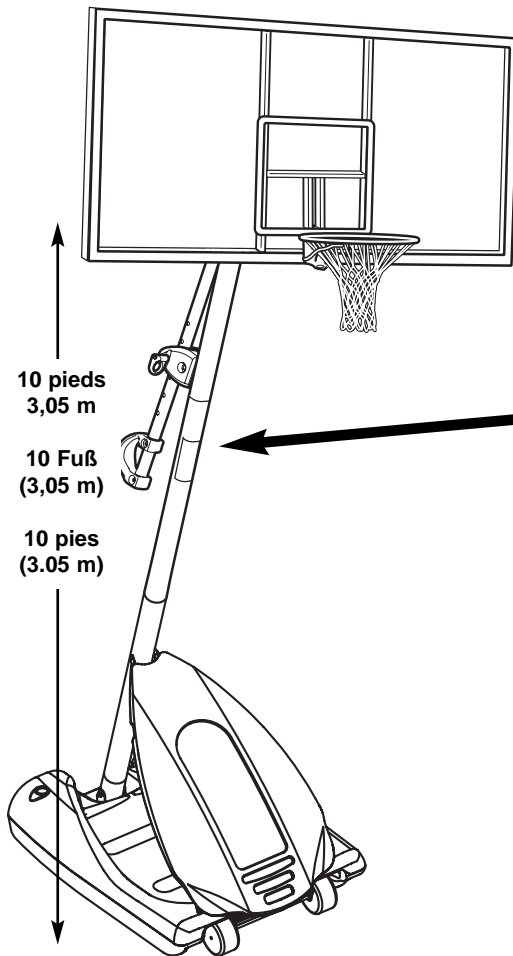
FRONT COVER

- 16.** Install front cover (38) by lining up stand-offs along the tank struts. Insert a tie strap (39) through the top two and bottom two stand offs. Wrap tie straps around tank struts as shown and secure tightly. Trim excess of tie strap as shown in **FIG.A**.



SECTION G: HEIGHT ADJUSTMENT AND MOVING LABEL

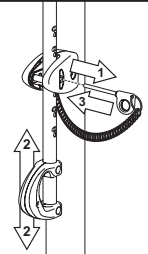
- 1.** Apply Height Adjustment and Moving Label (42) to front of pole, where it is clearly visible.



HEIGHT ADJUSTMENT

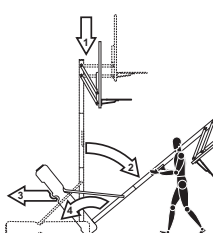
TO ADJUST BACKBOARD:

1. While holding handle, remove pin.
2. Move elevator up or down to desired height.
3. Replace pin full length to lock system at desired height.



MOVING SYSTEM

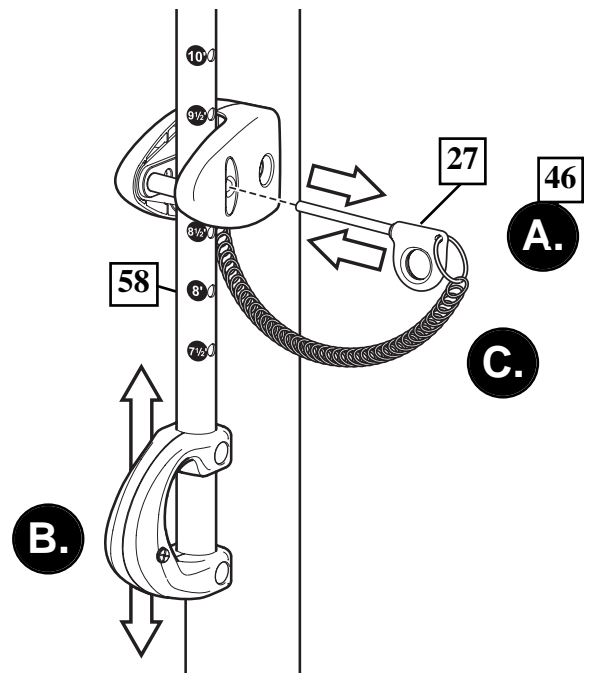
1. Adjust basketball backboard height to lowest position.
2. While holding pole, rotate basketball system forward until wheels engage with ground.
3. Move basketball system to desired location.
4. Carefully rotate basketball system upright.
5. Check system for stability.

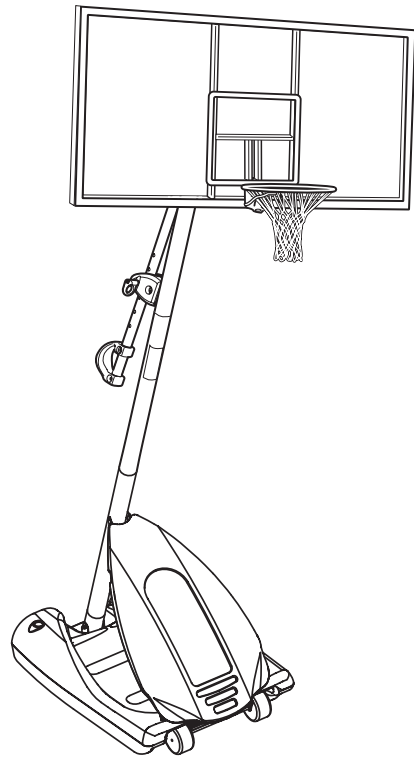


511679 05/05

42

- 2.** A. While holding handle, remove pin (27).
 B. Move elevator up or down to desired height.
 C. Replace pin (27) full length to lock system at desired height.





Systeme portable Manuel d'utilisation

Service clientèle
N53 W24700 South Corporate Circle • Sussex, WI 53089 É.-U.

Tragbares System Gebrauchsanleitung

Kundendienstzentrale
• N53 W24700 South Corporate Circle • Sussex, WI 53089 • U.S.A.

Sistema portátil Manual del propietario

Centro de Servicio al Cliente
• N53 W24700 South Corporate Circle • Sussex, WI 53089 • EE.UU.

FRANÇAIS

DEUTSCH

ESPAÑOL

Inscrivez ici le numéro de modèle qui apparaît sur la boîte :

Die Modellnummer vom Verpackungskarton hier eintragen:

Escriba aquí el número de modelo que se encuentra en la caja:



**AVERTISSEMENT !
WARNING!
¡ADVERTENCIA!**



LISEZ LE MODE D'EMPLOI
AVANT D'UTILISER CE SYSTÈME

SOUS PEINE D'ENCOURIR DES BLESSURES
OU DES DÉGÂTS MATÉRIELS.

DAS BENUTZERHANDBUCH VOR
GEBRAUCH DIESES PRODUKTS
SORGFÄLTIG DURCHLESEN.

EIN MISSACHTEN DIESER
BETRIEBSANLEITUNG KANN
VERLETZUNGEN ODER
SACHSCHÄDEN ZUR FOLGE
HABEN.

LEA Y ENTIENDA EL MANUAL DEL
OPERADOR ANTES DE USAR ESTA UNIDAD.


SI NO SE SIGUEN LAS
INSTRUCCIONES DE OPERACIÓN SE
PODRÍA OCASIONAR UNA LESIÓN O DAÑOS
A LA PROPIEDAD. OR DAMAGE TO
PROPERTY.


Numéro sans frais du service clientèle (États-Unis) : 1-800-558-5234 ; Canada : 1-800-284-8339 ; Europe : 00 800 555 85234
(Suède : 009 555 85234), Pour l'Australie : 1-800-333 061 - Site Internet : <http://www.huffysports.com>


Gebührenfreie Kundendienstnummer für Anrufer in den USA: 1-800-558-5234 Für Anrufer in Kanada: 1-800-284-8339 Für
Anrufer in Europa: 00 800 555 85234 (Schweden: 009 555 85234) Für Australien: 1-800-333.061 - Internet-Adresse:
<http://www.huffysports.com>


Número telefónico gratuito de servicio al cliente en EE. UU.: 1-800-558-5234, para Canadá: 1-800-284-8339, para Europa: 00
800 555 85234 (Suecia: 009 555 85234), para Australia: 1-800-333 061 - Dirección en Internet: <http://www.huffysports.com>

OUTILS ET MATÉRIEL REQUIS BENÖTIGTE WERKZEUGE UND MATERIALIEN HERRAMIENTAS Y MATERIALES REQUERIDOS


- 
- Deux personnes
 - 2 Personen
 - 2 personas

- 
- Mètre
 - Maßband
 - Cinta de medir

- 
- Plaque en bois (chute)
 - Holzstück
 - Tabla de madera (un trozo)

- 
- Table de soutien
 - Sägebock oder Stütztisch
 - Caballete o tabla de apoyo

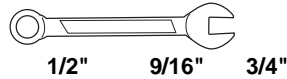
- 
- Marteau
 - Hammer
 - Martillo

- 
- Echelle de 2,4 m
 - Stufenleiter, 2,4 m (8 Fuß)
 - Escalera de mano de 8 pies (2.4 m)

- 
- Lunettes de sécurité
 - Schutzbrille
 - Gafas de seguridad

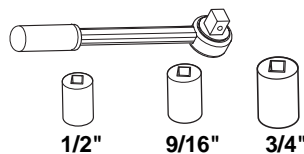
- 
- un tournevis cruciforme
 - ein Kreuzschlitzschraubenzieher
 - un destornillador Phillips

- (2) Clés
- (je 2) Schraubenschlüssel
- Llaves (dos de cada una)



ET/OU
AND/OR
UND/ODER
Y/O
E/O

- (2) Clés à douilles et douilles
- (2) Steckschlüssel und Einsätze
- (2) Llaves de tuercas de boca tubular y casquillos de



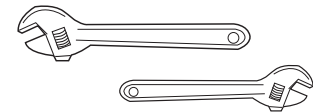
- Extension de douille
- Verlängerung
- Extensión



- Tuyau d'arrosage ou sable (163 kg) (360 lb.)
- Gartenschlauch oder Sand (163 kg) (360 lb.)
- Manguera de jardín o arena (163 kg) (360 lb.)



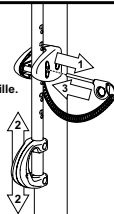
- Ou petite ou grande clé réglable
- Optional: Große und kleine verstellbare Schraubenschlüssel
- opcional: grande y pequeña Llaves ajustables



RÉGLAGE DE LA HAUTEUR

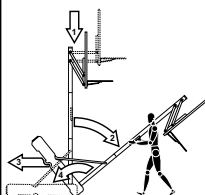
POUR AJUSTER LE PANNEAU :

1. Tout en tenant la poignée, retirez la goupille.
2. Montez ou abaissez le système élévateur jusqu'à la hauteur voulue.
3. Remettez la goupille à sa place en l'enfonçant à fond, pour bloquer le système à la hauteur désirée.



DÉPLACEMENT DU SYSTÈME

1. Placez le panneau de basket-ball à sa position la plus basse.
2. Tout en tenant le poteau, tournez le système de basket-ball vers l'avant jusqu'à ce que les roues touchent le sol.
3. Amenez le système de basket-ball à l'emplacement désiré.
4. Redressez avec précaution le système de basket-ball.
5. Vérifiez la stabilité du système.

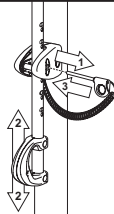


FR511679 05/05

HÖHENEINSTELLUNG

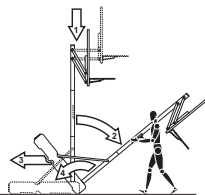
EINSTELLEN DER KORBWAND:

1. Bei festgehaltenem Griff den Stift herausziehen.
2. Die Verlängerungsvorrichtung bis zur gewünschten Höhe nach oben oder unten verschieben.
3. Den Stift zum Verriegeln des Systems auf der gewünschten Höhe ganz hineinschieben.



TRANSPORTSYSTEM

1. Die Basketball-Korbwand auf die niedrigste Position einstellen.
2. Die Stange festhalten; zur selben Zeit das Basketballsystem nach vorne drehen, bis die Räder den Boden berühren.
3. Das Basketballsystem an den gewünschten Ort fahren.
4. Das Basketballsystem vorsichtig in die aufrechte Position drehen.
5. Die Stabilität des Systems überprüfen.

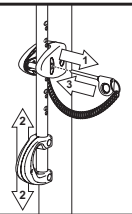


GE511679 05/05

AJUSTE DE LA ALTURA

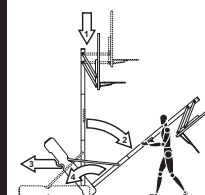
PARA AJUSTAR EL RESPALDO:

1. Mientras sujeta la manija, quite el pasador.
2. Mueva el elevador hacia arriba o hacia abajo a la altura deseada.
3. Vuelva a colocar el pasador a toda su longitud para fijar el sistema a la altura deseada.



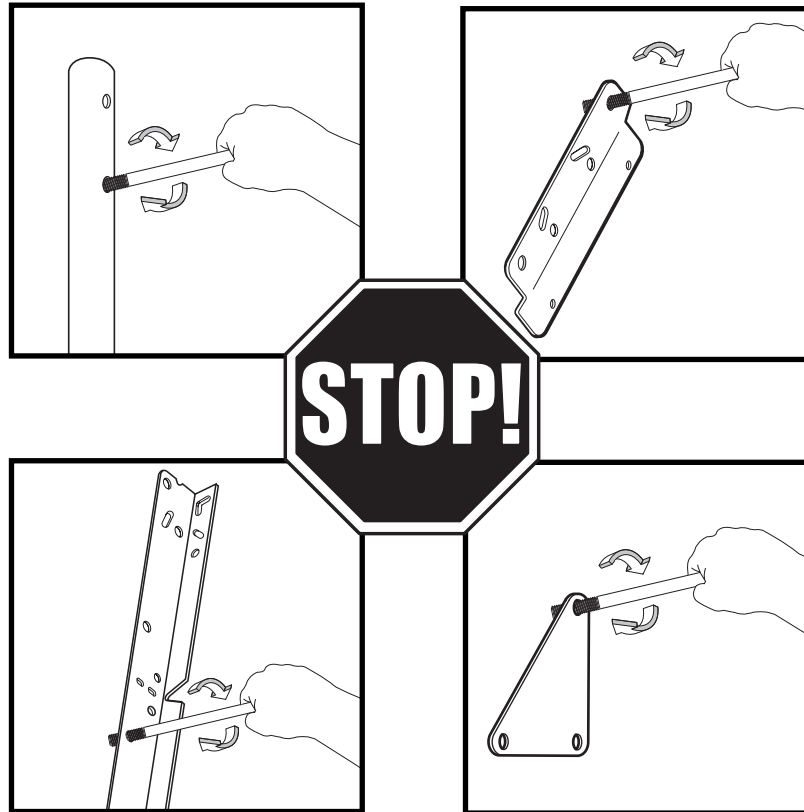
MOVIMIENTO DEL SISTEMA

1. Ajuste la altura del respaldo de baloncesto a la posición más baja.
2. Mientras sujeta el poste, gire hacia adelante el sistema de baloncesto hasta que las ruedas toquen el piso.
3. Mueva el sistema de baloncesto a la ubicación deseada.
4. Gire cuidadosamente el sistema de baloncesto hasta que quede en posición vertical.
5. Revise la estabilidad del sistema.



SP511679 05/05

**BEFORE YOU START
AVANT DE COMMENCER!
VORBEREITENDE MASSNAHMEN
¡ANTES DE COMENZAR!**



To ensure optimal playability of backboard system, a close tolerance fit between the elevator components and hardware is required. Test-fit large bolts into large holes of elevator tubes, backboard brackets, and triangle plates. Carefully rock them in a circular motion to ream out any excess paint from holes if necessary.

NOTE: Not all items pictured are included with every model.

Pour garantir l'utilisation optimale du panneau, les composants du système élévateur et la visserie doivent être bien ajustés (serrés). À titre d'essai, insérez les gros boulons dans les gros trous des tubes du système élévateur, des supports du panneau et des plaques triangulaires. Basculez-les avec précaution en imprimant un mouvement circulaire pour éliminer l'excédent de peinture, si nécessaire.

REMARQUE: No todos los artículos ilustrados se incluyen con cada modelo.

Um sicherzustellen, dass das Korbwandssystem optimal für den Spielbetrieb geeignet ist, müssen die Komponenten der Verlängerungsvorrichtung und die verschiedenen Befestigungsteile fest miteinander verschraubt werden. Große Schrauben zur Probe in die großen Löcher der Verlängerungsrohre, Korbwandklammern und Dreiecksplatte stecken und diese vorsichtig in einer Kreisbewegung hin- und herbewegen, um eventuelle Farbrückstände aus den Bohrungen zu entfernen.

NOTA: No todos los artículos ilustrados se incluyen con cada modelo.

Para asegurar el óptimo rendimiento del sistema del respaldo en el juego, se requiere un ajuste de tolerancia estrecha entre los componentes del elevador y el herraje. Pruebe el ajuste de los pernos grandes en los orificios grandes de los tubos elevadores, soportes del respaldo y placas triangulares. Cuidadosamente muévalos en círculos para eliminar cualquier exceso de pintura, si es necesario.

HINWEIS: Nicht jedem Modell sind alle abgebildeten Teile beige packt.



AVERTISSEMENT

Lisez les avertissements indiqués ci-dessous avant d'utiliser ce produit. sous peine d'encourir des blessures graves et/ou des dégâts matériels.

Le propriétaire doit s'assurer que tous les joueurs connaissent et suivent ces règles d'utilisation sûre du système.

- NE VOUS SUSPENDEZ PAS sur le cerceau ou sur une autre partie du système, y compris le panneau, les supports ou le filet.
- Durant le jeu, en particulier lorsque vous faites un smash, gardez le visage à l'écart du panneau, du cerceau et du filet. Risque de blessures graves si les dents ou le visage viennent heurter le panneau, le cerceau ou le filet.
- Ne glissez et ne montez pas sur le socle et/ou le poteau, ne les secouez pas et ne jouez pas dessus.
- Une fois le montage terminé, remplissez complètement le système d'eau ou de sable. Ne laissez jamais le système à la verticale sans lester le socle, car le système risque de basculer et de causer des blessures.
- Lorsque vous réglez la hauteur ou que vous déplacez le système, gardez les mains et les doigts à l'écart des pièces en mouvement.
- Interdisez aux enfants de déplacer ou de régler le système.
- Avant le jeu, retirez vos bijoux (bagues, montres, colliers, etc.). Ces objets peuvent se prendre dans le filet.
- La surface située sous le socle doit être lisse, sans gravier ou autres objets coupants. Les perforations causent des fuites et risquent de faire basculer le système.
- Maintenez les substances organiques à l'écart du socle du poteau. L'herbe, les ordures, etc. risquent de causer la corrosion et/ou la détérioration du système.
- Vérifiez l'état du système (signes de corrosion comme rouille, piqûres, écaillage) et repeignez avec de la peinture émail pour extérieur. Si de la rouille a piqué l'acier en tout point, remplacez immédiatement le poteau.
- Vérifiez le système avant chaque utilisation (lest, visserie mal serrée, usure excessive et signes de corrosion) et réparez avant utilisation.
- Vérifiez la stabilité du système avant chaque utilisation.
- N'utilisez pas le système les jours de vent fort et/ou de tempête ; le système risque de se renverser. Placez le système dans sa position de stockage et/ou dans un lieu protégé du vent et loin de biens personnels et/ou câbles suspendus.
- Ne jouez jamais sur du matériel abîmé.
- Lorsque vous déplacez le système, soyez prudent pour empêcher le mécanisme de se déséquilibrer.
- Maintenez le poteau bouché à tout moment.
- Ne laissez pas geler l'eau du socle. Par moins de 0 degré Celsius, ajoutez 8 litres d'antigel non toxique ou du sable, ou bien videz complètement et stockez. (N'utilisez pas de sel.)
- Durant le déplacement du système, personne ne doit se tenir debout ou assis sur son socle, ni sur le socle.
- Ne laissez pas le système sans supervision et ne jouez pas sur le système lorsque les roues se sont enclenchées pour le déplacement.
- Soyez prudent lorsque vous déplacez le système sur des surfaces irrégulières, car il risque de basculer.
- Soyez extrêmement prudent si vous placez le système sur une déclivité. Il risque de se renverser plus facilement.
- Pour les instructions d'installation et d'entretien, reportez-vous au guide fourni.

SPALDING
Kontakt: 1-800-772-5338

HYDRA-RIB
Aut. États-Unis: 1-800-334-9111

RUSSELL ATHLETIC

SURESHOT
Aut. États-Unis: 1-888-715-5468

HUFFY SPORTS
In the U.S.: 1-800-598-5234
Au Canada: 1-800-334-9339

RMF: FR556790 05/05



ACHTUNG

Vor Gebrauch dieses Produkts die nachstehenden Warnhinweise lesen und beachten.

Ein Missachten dieser Warnung kann zu schweren Verletzungen und/oder Sachschäden führen

Der Eigentümer muss sicherstellen, dass alle Spieler diese Regeln für einen sicheren Betrieb des Systems kennen und befolgen.

- NICHT am Korbrand oder irgendeinem anderen Teil des Systems, einschli. Korbrand, Stützstreben oder Netz HÄNGEN.
- Während des Spielbetriebs, besonders bei Slam-Dunk-Manövern, müssen die Spieler ihr Gesicht vor Korbrand, Korbrand und Netz fern halten. Der Kontakt von Zähnen/Gesicht mit der Korbrand, dem Korbrand oder dem Netz kann schwere Verletzungen zur Folge haben.
- Nicht auf dem Sockel und/oder der Stange herumtutschen, klettern, daran rütteln oder damit spielen.
- Nach dem Zusammenbau das System ganz mit Wasser oder Sand füllen. Das System niemals in aufrechter Position stehen lassen, ohne den Sockel zu beschweren, da es andernfalls umkippen und Verletzungen verursachen kann.
- Beim Einstellen der Höhe oder beim Transport des Systems Hände und Finger von beweglichen Teilen fern halten.
- Kindern darf das Verschieben oder Einstellen des Systems nicht gestattet werden.
- Beim Spielen keinen Schmuck (Ringe, Armbänder, Halsketten usw.) tragen. Gegenstände dieser Art können sich im Netz verfangen.
- Die Oberfläche unter dem Sockel muss glatt und frei von Kies oder anderen scharfkantigen Gegenständen sein. Löcher verursachen Lecks und können ein Umkippen des Systems zur Folge haben.
- Organische Materialien vom Stange/sockel fern halten. Gras, Abfälle usw. können Korrosion und/oder Abbaureisungen verursachen.
- Das Stangensystem auf Anzeichen von Korrosion (Rost, Narbenbildung, Abblättern) untersuchen und mit Emailfarbenfarbe neu lackieren. Wenn sich an irgendeiner Stelle Rost durch den Stahl hindurch getressen hat, muss die Stange sofort ersetzt werden.
- Das System vor jeder Benutzung auf den richtigen Ballast, lose Befestigungsteile, übermäßige Abnutzungserscheinungen und Anzeichen von Korrosion untersuchen; vor jedem Einsatz entsprechende Korrekturmaßnahmen bzw. Reparaturen durchführen.
- Die Stabilität des Systems vor jedem Gebrauch überprüfen.
- Das System nicht bei windigen und/oder unwirtlichen Witterungsverhältnissen benutzen, da es unter diesen Umständen umkippen kann. Das System in seine Lagerposition versetzen und/oder in einen windgeschützten Bereich bringen, in dem sich weder Schwerkerte noch oberirdische Kabel befinden.
- Niemals an bzw. mit einer beschädigten Ausrüstung spielen.
- Beim Transport des Systems darauf achten, dass sich der Mechanismus nicht verschiebt.
- Das obere Stangenelement muss jederzeit mit einer Kappe abgedeckt sein. Den Tank mit 7.5 l eines ungiftigen Gefrierschutzmittels oder Sand füllen oder ihn völlig entleeren und lagern. (Kein Salz verwenden.)
- Beim Verschieben des Systems darf niemand auf dem Sockel stehen oder sich über diesen mit zusätzlichem Ballast beschwert haben.
- Das System nicht unbeaufsichtigt lassen oder damit spielen, wenn die Räder zum Transport eingestellt sind.
- Beim Transport des Geräts über unebene Flächen vorsichtig vorgehen. Das System kann umkippen.
- Beim Aufstellen des Systems auf einer geeigneten Fläche mit großer Vorsicht umkippen.
- Das System kann unter diesen Bedingungen leichter umkippen.
- Die ordnungsgemäße Installation und Wartung ist dem Gebrauchshandbuch zu entnehmen.

SPALDING
Kontakt: 1-800-772-5338

HYDRA-RIB
In den USA: 1-800-334-9111

RUSSELL ATHLETIC

SURESHOT
In den USA: 1-888-715-5468

HUFFY SPORTS
In den USA: 1-800-598-5234
Kanada: 1-800-334-9339

Bestell-Nr.: GE55790 05/05



ADVERTENCIA

Lea y entienda las advertencias que se encuentran a continuación antes de usar este producto.

Si no se observan estas advertencias se podrían causar lesiones graves y/o daños materiales.

El propietario debe asegurarse de que todos los jugadores conozcan y obedezcan estas reglas para la operación segura del sistema.

- NO SE CUELQUE del borde ni de ninguna parte del sistema, inclusive el respaldo, las abrazaderas de apoyo y la red.
- Durante el juego, especialmente cuando se realizan actividades de tipo clavada (dunk), el jugador debe mantener la cara alejada del respaldo, el borde y la red. Si los dientes o la cara entran en contacto con el respaldo, el borde o la red, se puede sufrir una lesión grave.
- No se deslice, suba, sacuda ni juegue en la base y/o en poste.
- Cuando complete el montaje, llene completamente el sistema con agua o arena. Nunca deje el sistema en posición vertical sin llenar la base con un peso, ya que el sistema se podría caer y causar lesiones.
- Al ajustar la altura o mover el sistema mantenga las manos y los dedos alejados de las partes móviles.
- No permita que los niños muevan o ajusten el sistema.
- Durante el juego, no use joyería (anillos, relojes, collares, etc.). Estos objetos se podrían atorar en la red.
- La superficie debajo de la base se debe mantener lisa y sin gravas y otros objetos filosos. Las perforaciones pueden causar fugas y provocar que el sistema se caiga.
- Mantenga los materiales orgánicos alejados de la base del poste. El césped, la basura, etc. podrían causar corrosión y/o deterioro de la base del poste.
- Revise que el sistema del poste no tenga señales de corrosión (oxidación, picaduras, desconchaduras) y si las tiene vuelva a pintarlo con pintura de esmalte para exteriores. Y si la corrosión penetra a través del acero en cualquier área, reemplace inmediatamente el poste.
- Antes de cada uso revise el sistema para verificar que esté adecuadamente equilibrado, que no tenga herraje suelto, desgaste excesivo ni signos de corrosión, y repárelo si es necesario.
- Verifique la estabilidad del sistema antes de cada uso.
- No use el sistema durante condiciones climáticas severas y/o con mucho viento, ya que el sistema se podría caer. Coloque el sistema en posición de almacenamiento y/o en un área protegida del viento y sin propiedad personal y/o cables suspendidos.
- Nunca juegue en equipo dañado.
- Cuando mueva el sistema, tenga cuidado para evitar que el mecanismo cambie de lugar.
- Siempre mantenga la parte superior del poste cubierta con la tapa.
- No permita que el agua del tanque se congele. En clima con temperaturas de congelamiento añada dos galones de anticongelante no tóxico, arena, o vacíe completamente el tanque y almacénelo. (No use sal.)
- Al mover el sistema no permita que nadie se pare o sienta en la base o añada lastre adicional en la base.
- No deje el sistema sin supervisión ni juegue en el sistema cuando las ruedas estén embargadas para rodar.
- Tenga cuidado al mover el sistema sobre superficies irregulares. El sistema se podría ladear.
- Use extremado cuidado si va a colocar el sistema en una superficie inclinada. El sistema se podría caer más fácilmente.
- Consulte el manual de instrucciones para ver la instalación y el mantenimiento adecuados.

SPALDING
Kontakt: 1-800-772-5338

HYDRA-RIB
En EE.UU.: 1-800-334-9111

RUSSELL ATHLETIC

SURESHOT
En EE.UU.: 1-888-715-5468

HUFFY SPORTS
En EE.UU.: 1-800-598-5234
En Canada: 1-800-334-9339

N.P. SPS5790 05/05

⚠️ CONSIGNES DE SÉCURITÉ ! ⚠️

SUIVEZ CES CONSIGNES DE SÉCURITÉ SOUS PEINE DE PROVOQUER DES BLESSURES GRAVES, DES DÉGÂTS MATÉRIELS ET L'ANNULATION DE LA GARANTIE.

Le propriétaire doit s'assurer que tous les joueurs connaissent et suivent ces règles d'utilisation sûre du système.

Par mesure de sécurité, n'essayez pas de monter ce système sans suivre scrupuleusement les instructions. Un montage, une utilisation et une supervision corrects et complets sont indispensables à un bon fonctionnement et à la réduction des risques d'accident ou de blessure. Des blessures graves sont très probables si le système n'est pas installé, entretenu et utilisé correctement.

- o Si vous utilisez une échelle en cours de montage, soyez extrêmement prudent.
- o Vérifiez régulièrement le socle pour vous assurer qu'il ne fuit pas. Les petites fuites risquent d'entraîner le basculement intempestif du système.
- o Emboîtez correctement les sections de poteau (le cas échéant). Elles risquent sinon de se déboîter en cours de jeu et/ou de transport du système.
- o Les conditions climatiques, la corrosion ou une mauvaise utilisation risquent de provoquer la panne du système.
- o Pour toute assistance technique, contactez Huffy Sports.
- o La hauteur minimale d'utilisation est de 1,98 (6' 6") m jusqu'à la base du panneau.

La plupart des blessures sont causées par une mauvaise utilisation et/ou le non-respect des instructions. Soyez prudent lorsque vous utilisez ce système.

⚠️ SICHERHEITSHINWEISE ⚠️

EIN MISSACHTEN DIESER SICHERHEITSHINWEISE KANN ZU SCHWEREN VERLETZUNGEN UND/ODER SACHSCHÄDEN FÜHREN UND MACHT DIE GARANTIE UNWIRKSAM..

Der Eigentümer muss sicherstellen, dass alle Spieler diese Regeln für einen sicheren Betrieb des Systems kennen und befolgen.

Aus Sicherheitsgründen darf dieses System nur unter sorgfältiger Beachtung der Anleitung zusammengebaut werden. Eine ordnungsgemäße und vollständige Montage, Verwendung und Aufsicht ist für den richtigen Betrieb und zur Reduzierung des Unfall- oder Verletzungsrisikos absolut erforderlich. Bei einer unsachgemäßen Installation und Wartung und bei einem falschen Betrieb dieses Systems besteht ein hohes Risiko schwerer Verletzungen.

- o Beim Gebrauch einer Leiter während des Zusammenbaus extrem vorsichtig vorgehen.
- o Den Sockel regelmäßig auf Leckstellen untersuchen. Langsam austretende Füllmittel können ein unerwartetes Umkippen des Systems verursachen.
- o Die einzelnen Stangenteile richtig zusammenfügen (falls anwendbar). Andernfalls können sich die Stangenteile beim Spielbetrieb und/oder während des Transports des Systems voneinander lösen.
- o Klimatische Bedingungen, Korrosion oder Fehlgebrauch kann zu Systemdefekten führen.
- o Technische Unterstützung kann direkt von Huffy Sports angefordert werden.
- o Die Mindestspielhöhe beträgt 1,98m (6,6 Fuß) bis zur Unterkante der Korbwand.

Die meisten Verletzungen werden durch einen Fehlgebrauch bzw. ein Missachten der Anleitungen verursacht. Bei der Verwendung dieses Geräts vorsichtig vorgehen.

⚠️ ¡INSTRUCCIONES DE SEGURIDAD! ⚠️

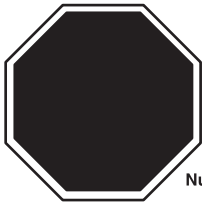
EL INCUMPLIMIENTO DE ESTAS INSTRUCCIONES DE SEGURIDAD PUEDE DAR COMO RESULTADO LESIONES GRAVES, DAÑOS MATERIALES Y ANULARÁ LA GARANTÍA..

El propietario debe asegurarse de que todos los jugadores conozcan y obedezcan estas reglas para la operación segura del sistema.

Por su seguridad, no intente montar este sistema sin seguir cuidadosamente las instrucciones. Es esencial el montaje completo, y el uso y la supervisión adecuados para la operación correcta del sistema y para reducir el riesgo de accidentes o lesiones. Existe una alta probabilidad de sufrir lesiones graves si este sistema no se instala, mantiene y opera adecuadamente.

- o Si utiliza una escalera de mano durante el montaje, tenga mucho cuidado.
- o Revise regularmente la base para detectar fugas. Las fugas lentas podrían causar que el sistema se cayera inesperadamente
- o Asiente correctamente las secciones del poste (si aplica). Si no lo hace, las secciones del poste podrían separarse durante el juego y/o durante el transporte del sistema.
- o El clima, la corrosión y el mal uso podrían ocasionar la falla del sistema.
- o Si requiere asistencia técnica, comuníquese con Huffy Sports.
- o La altura mínima de operación es de 1.98m (6' 6") hasta la parte inferior del respaldo.

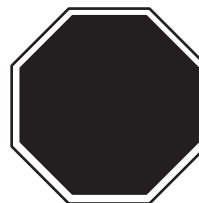
La mayoría de las lesiones son causadas por el uso inadecuado y/o por el incumplimiento de las instrucciones. Tenga cuidado cuando use esta unidad.



IMPORTANT!

En cas de questions...
pas besoin de retourner au magasin!

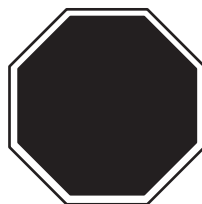
Etats-Unis et Canada uniquement: 1-800-284-8339
Numéro vert international (France, Suisse) : 00 800 555 85234



WICHTIG!

Huffy steht zur Qualität seiner Produkte!

(Deutschland, Schweiz): 00 800 555 85234



¡IMPORTANTE!

!Usted es importante para Huffy!

00 800 555 85234

AVIS AUX PERSONNES CHARGÉES DU MONTAGE

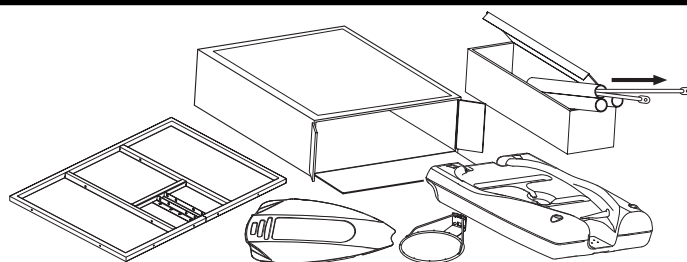
TOUS les systèmes de basket-ball Huffy Sports, y compris ceux utilisés en EXPOSITION, DOIVENT être assemblés et lestés de sable ou d'eau, selon les instructions. Suivez ces instructions sous peine d'encourir des BLESSURES GRAVES. Il est INACCEPTABLE de composer un système de lestage de fortune.

HINWEIS FÜR DIE PERSONEN, DIE DEN ZUSAMMENBAU DURCHFÜHREN

ALLE Basketballsysteme von Huffy Sports, einschließlich der zu Demonstrationszwecken benutzten Systeme, müssen gemäß der Montageanleitung zusammengebaut und mit Sand oder Wasser beschwert werden. Ein Missachten dieser Anleitung kann SCHWERE VERLETZUNGEN zur Folge haben. Zum Beschweren darf NICHT zu irgendwelchen Notbehelfsmaßnahmen gegriffen werden.

AVISO PARA LAS PERSONAS QUE REALIZAN EL MONTAJE

TODOS los sistemas de baloncesto de Huffy Sports, inclusive los usados para EXHIBICIÓN, DEBEN estar montados y equilibrados con arena o agua, de acuerdo con las instrucciones. Si se ignoran estas instrucciones se podría ocasionar una LESIÓN GRAVE. NO es aceptable improvisar un sistema de pesas provisional.



IMPORTANT!

Videz entièrement les boîtes.

Veillez à vérifier l'intérieur des sections de poteau.

La quincaillerie et des pièces supplémentaires sont emballées à l'intérieur.

WICHTIG!

Die Kartons vollständig auspacken.

Den Hohlraum in den Stangenteilen inspizieren.

Dort sind Befestigungs- und andere Kleinteile verpackt.

¡IMPORTANTE!

Saque todo el contenido de las cajas.

Asegúrese de revisar el interior de las secciones del poste.

Ahí se han empacado herraje y piezas adicionales.

CARTE DE GARANTIE:

N'oubliez pas de remplir la carte d'enregistrement de votre produit en ligne à :

www.huffysports.com/customer_support/product_registration or mail-in the enclosed postcard.

GARANTIEKARTE:

Bitte nicht vergessen, das Produktregistrierungsformular online unter der Adresse

www.huffysports.com/customer_support/product_registration auszufüllen oder die beiliegende Postkarte einzusenden.

TARJETA DE GARANTÍA:

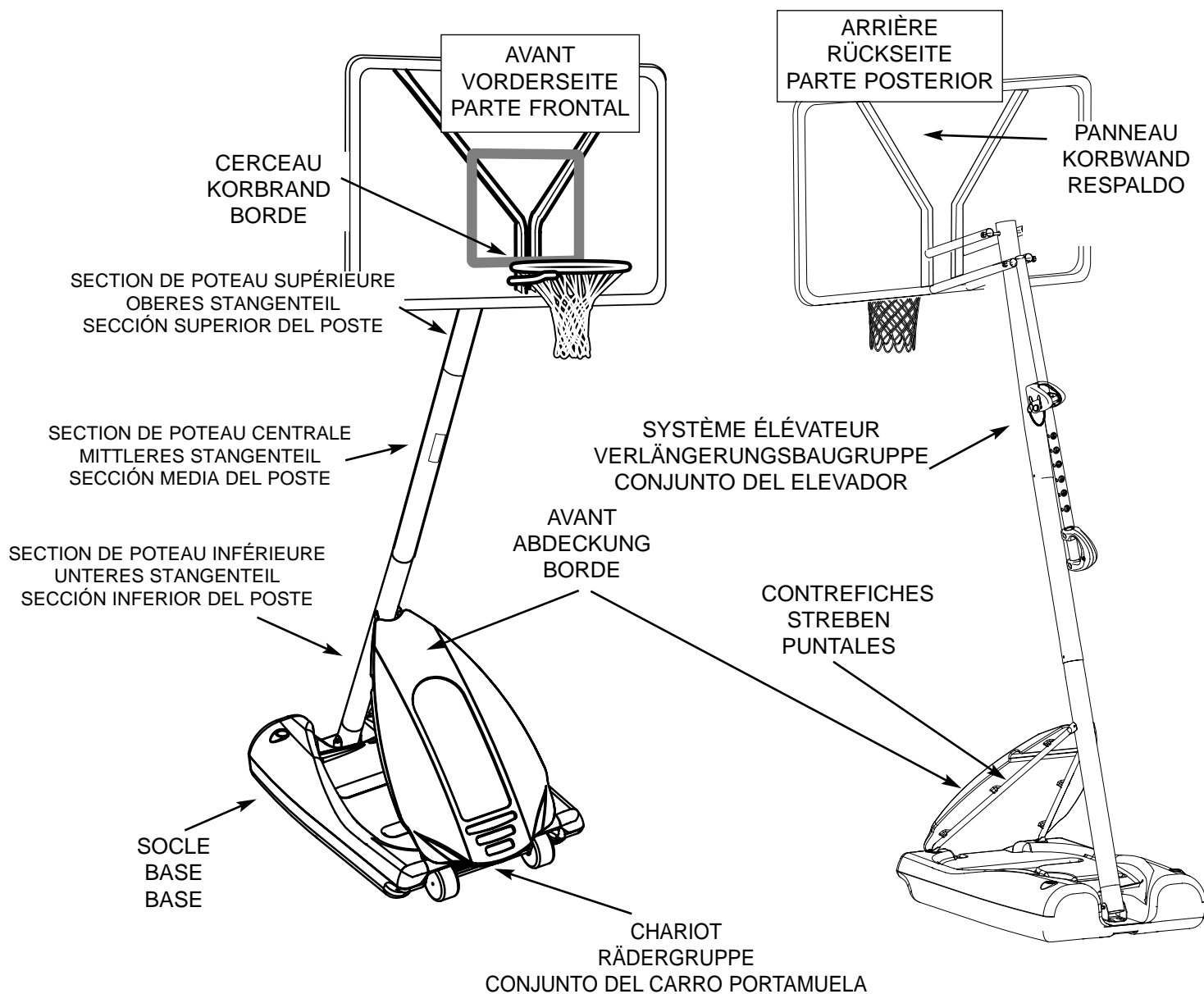
Por favor recuerde completar su formulario de registro del producto, ya sea en línea en:

www.huffysports.com/customer_support/product_registration o por correo en la tarjeta postal adjunta.

Apprenez à connaître les composants de base de votre système de basket-ball....

Machen Sie sich mit den wichtigsten Teilen Ihres Basketballsystems vertraut...

Conozca las piezas básicas de su sistema de baloncesto...



LISTE DES PIÈCES TEILELISTE

FRANÇAIS

Légende	Quantité	No de réf.	Description
1	1	908026	Section de poteau supérieure
2	1	90810701	Section de poteau centrale (avec étiquette)
3	1	908015	Section de poteau inférieure
4	1	900223	Support des roues
5	1	206940	Axe
6	2	226403	Roue
7	2	206938	Écrou capuchon
8	1	206660	Socle
9	6	203156	Boulon hexagonal, 5/16-18 x 1
10	18*	203218	Rondelle plate, 5/16
11	15*	203100	Écrou hexagonal à embase, 5/16-18
12	1	201581	Support de poteau
13	2	202662	Boulon hexagonal, 5/16-18 x 4,5
14	2	203099	Contre-écrou, 5/16-18
15	4	203223	Boulon ordinaire, 5/16-18 x 1
16	2	906410	Contrefiche de réservoir
17	1	200516	Couvre-boulon
18	1	206990	Support de renforcement
19	3	203038	Boulon ordinaire, 5/16-18 x 2 3/4 (long.)
20	8	202862	Entretoise plastique, 1,19 po (long.)
21	7*	206340	Contre-écrou, 1/2-13
22	2	203053	Boulon ordinaire, 5/16-18 x 4 (long.)
23	1	204872	Étiquette, indication de hauteur
24	2	204858	Entretoise plastique triple
25	1	207103	Capuchon de poteau
26	1	204853	Cordon spiralé noir
27	1	204850	Goupille de blocage
28	1	204832	Support de poteau
29	4	206360	Boulon hexagonal, 3/8-16 x 2,625
30	6	203063	Contre-écrou, 3/8-16
31	4	201124	Contre-écrou, 3/8-16
32	2	900867	Plaque triangulaire
33	2	904807	Tube du dispositif élévateur, supérieur, court
34	2	900183	Tube du dispositif élévateur, inférieur, long
35	2	204859	Couvre-support
36	1	204838	Ressort d'équilibrage
37	2	203617	Bouchon de socle
38	1	201965	Protecteur avant
39	6*	203257	Attache
40	1		Filet
41	2	202662	Boulon hexagonal, 5/16-18 x 1
42	1	201252	Étiquette, réglage de hauteur et déplacement
43	2	204857	Entretoise métallique, D.E. 1/2 po x 1,44 (long.)
44	1	200318	Support, renforcement, Slam Jam
45	1	203470	Rondelle, plate D.I. 5/8 x D.E. 1-1/2
46	1	203472	Ressort, noir
47	1	203795	Écrou, spécial 3/8-NC
48	1	203796	Boulon à T, 3/8 - NC x 5 (long.)
49	1	202856	Boulon hexagonal, 1/2-13 x 4
50	4	202232	Rondelle plate, 3/8
51	1		Cerceau
52	2	90096401	Support de panneau
53	4	201681	Entretoise plastique, .88 (long.)
54	2	203103	Boulon ordinaire, 5/16-18 x 2 (long.)
55	1	204803	Vis cruciforme
56	4	201682	Entretoise, 0,530 D.I. x 1,875
57	6	202532	Boulon hexagonal, 1/2-13 x 9,5 po
58	1	904866	Tige de réglage de la hauteur
59	1	204855	Poignée gauche
60	1	204856	Poignée droite
61	1	900033	Support Slam Jam, noir

* Des pièces supplémentaires sont peut-être fournies avec ce modèle.

Nr.	Anz.	Teile-Nr.	Beschreibung
1	1	908026	Oberes Stangenteil
2	1	90810701	Mittleres Stangenteil (mit Aufkleber)
3	1	908015	Unteres Stangenteil
4	1	900223	Radhalterung
5	1	206940	Achse
6	2	226403	Rad
7	2	206938	Druckmutter
8	1	206660	Sockel
9	6	203156	Sechskantkopfschraube, 5/16-18 x 1
10	18*	203218	Unterlegscheibe, flach 5/16
11	15*	203100	Sechskant-Flanschmutter, 5/16-18
12	1	201581	Stangenhalterung
13	2	202662	Sechskantkopfschraube, 5/16-18 x 4,5
14	2	203099	Gegenmutter, 5/16-18
15	4	203223	Schlossschraube, 5/16-18 x 1
16	2	906410	Tankverstrebung
17	1	200516	Schraubenabdeckung
18	1	206990	Verstärkungshalterung
19	3	203038	Schlossschraube, 5/16-18 x 2-3/4 Länge
20	8	202862	Abstandsstück, Plastik, 1,19 Zoll Länge
21	7*	206340	Gegenmutter, 1/2-13
22	2	203053	Schlossschraube, 5/16-18 x 4 Länge
23	1	204872	Höhenanzeigaufkleber
24	2	204858	Abstandsstück, Plastik, rund
25	1	207103	Stangenkappe
26	1	204853	Abzugsleine, schwarze Rolle
27	1	204850	Verriegelungsstift
28	1	204832	Stangenmontageklammer
29	4	206360	Sechskantkopfschraube, 3/8-16 x 2,625
30	6	203063	Abstandsstück, Metall, 3/8-16
31	4	201124	Gegenmutter, 3/8-16
32	2	900867	Dreiecksplatte
33	2	904807	Oberes kurzes Verlängerungsrohr
34	2	900183	Unteres langes Verlängerungsrohr
35	2	204859	Stiftschiebeabdeckung
36	1	204838	Gegengewichtsfeder
37	2	203617	Sockelstöpsel
38	1	201965	Frontabdeckung
39	6*	203257	Halteriemen
40	1		Netz
41	2	202662	Sechskantkopfschraube, 5/16-18 x 1
42	1	201252	Höheneinstell- und Transportaufkleber
43	2	204857	Abstandsstück, Metall, 1/2 Zoll AD x 1,44 Zoll Länge
44	1	200318	Slam Jam-Verstärkungshalterung
45	1	203470	Flache Unterlegscheibe, 5/8 ID x 1-1/2 AD
46	1	203472	Feder, (schwarz)
47	1	203795	Spezialmutter, 3/8-NC
48	1	203796	T-Nutenschraube, 3/8 - NC x 5 Länge
49	1	202856	Sechskantschraube, 1/2-13 x 4 Länge
50	4	203232	Unterlegscheibe, flach 3/8
51	1		Korbrand
52	2	90096401	Korbwandstützklammer
53	1	201681	Abstandsstück, 0,530 ID x 0,88 Länge
54	2	203103	Schlossschraube, 5/16-18 x 2 Länge
55	1	204803	Kreuzschlitz-Kopfschraube
56	4	201682	Abstandsstück, 0,530 ID x 1,875
57	6	202532	Sechskantschraube, 1/2-13 x 9,5 Zoll
58	1	904866	Höheneinstellstange
59	1	204855	Griff, links
60	1	204856	Griff, rechts
61	1	900033	Slam Jam-Halterung, schwarz

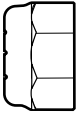
* Diesem Modell können zusätzliche Teile beige packt sein.

LISTA DE PIEZAS

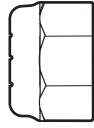
Artículo	Cant.	Pieza N.º	Descripción	Artículo	Cant.	Pieza N.º	Descripción
1	1	908026	Sección superior del poste	35	2	204859	Cubierta, corredera de perno
2	1	908107	Sección media del poste (con etiqueta)	48	1	204838	Resorte, contrapeso
3	1	908015	Sección inferior del poste	37	2	203617	Tapón de la base
4	1	900223	Soporte de la rueda	38	1	201965	Cubierta frontal
5	1	206940	Eje	39	6*	203257	Correas de sujeción
6	2	226403	Rueda	40	1		Borde
7	2	206938	Tuerca dentada	41	4	205528	Perno hexagonal 5/16-18 x 1" longitud
8	1	206660	Base	42	1	201252	Etiqueta, ajuste y movimiento de la altura
9	6	203156	Perno, cabeza hexagonal, 5/16-18 x 1	43	2	204857	Espaciador, de metal, ½" de D.E. x 1.44 de largo
10	18	203218	Arandela plana, 5/16	44	1	200318	Refuerzo de soporte, Slam Jam
11	21*	203100	Tuerca, brida hexagonal, 5/16-18	45	1	203470	Arandela, plana, 5/8 D.I. x 1-1/2 D.E.
12	1	201581	Soporte del poste	46	1	203472	Resorte, negro
13	2	202662	Perno, cabeza hexagonal, 5/16-18 x 4.5	47	1	203795	Tuerca, especial 3/8-NC
14	2	203099	Contratuerca, 5/16-18	48	1	203796	Perno en "T" 3/8 - NC x 5 de longitud
15	4	203223	Perno cabeza de carro, 5/16-18 x 1	49	1	202856	Perno hexagonal 1/2-13 x 4" de longitud
16	2	906410	Puntal del tanque	50	4	203232	Arandela plana, 3/8
17	1	200516	Cubierta del perno	51	1		Red
18	1	206990	Soporte de refuerzo	52	2	90096401	Soporte, soporte del respaldo
19	3	203038	Perno cabeza de carro, 5/16-18 x 2-3/4 de longitud	53	1	201681	Separador 0.530 D.I. x 0.88 de longitud
20	8	202862	Espaciador de plástico, 1.19" de longitud	54	2	203103	Perno cabeza de carro, 5/16-18 x 2 de longitud
21	7*	206340	Contratuerca, 1/2-13	55	1	204803	Tornillo, cabeza en cruz
22	2	203053	Perno cabeza de carro, 5/16-18 x 4 de longitud	56	4	201682	Separador 0.530 D.I. x 1.875 de longitud
23	1	204872	Etiqueta, indicadora de altura	57	6	202532	Perno hexagonal 1/2-13 x 9.5"
24	2	204858	Espaciador de plástico, obolongo	58	1	904866	Varilla de ajuste de la altura
25	1	207103	Tapa del poste	59	1	204855	Manija, izquierda
26	1	204853	Acollador, espiral negro	60	1	204856	Manija, derecha
27	1	204850	Perno, fijación	61	1	900033	Soporte Slam Jam, negro
28	1	204832	Soporte, montaje del poste				
29	4	206360	Perno, cabeza hexagonal, 3/8-16 x 2.625				
30	2	203063	Contratuerca, 5/16-18				
31	4	201124	Contratuerca, 3/8-16				
32	2	900867	Placa triangular				
33	2	904807	Tubo elevador, superior-corto				
34	2	900183	Tubo elevador, inferior-largo				

* Puede haber piezas adicionales en este modelo.

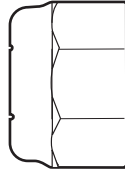
IDENTIFICATION DES PIÈCES (ÉCROUS, RONDELLES ET ENTRETOISES MÉTALLIQUES)
BEFESTIGUNGSTEILESCHLÜSSEL (MUTTERN, UNTERLEGSSCHEIBEN UND METALL-ABSTANDSSTÜCKE)
IDENTIFICADORES DEL HERRAJE (TUERCAS, ARANDELAS Y ESPACIADORES DE METAL)



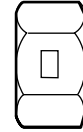
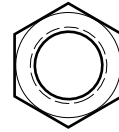
#14 (2)



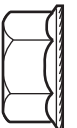
#30 (4)



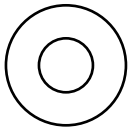
#21 (7)



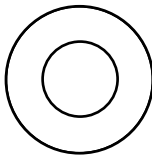
#31 (4)



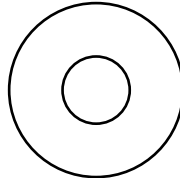
#11 (15)*



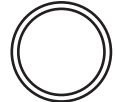
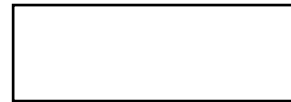
#47 (6)*



#50 (4)

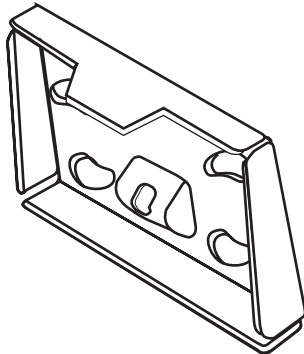


#10 (18)*

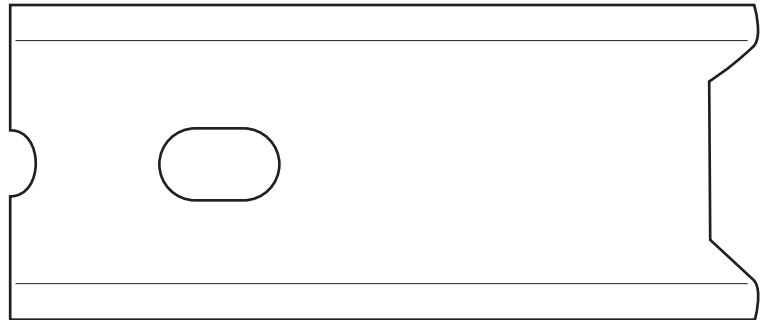


#43 (2)

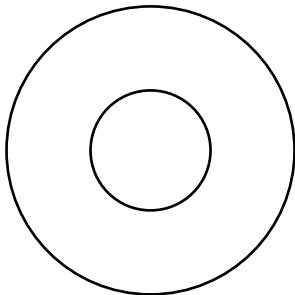
IDENTIFICATION DES PIÈCES (AUTRES)
BEFESTIGUNGSTEILESCHLÜSSEL (SONSTIGE)
IDENTIFICADOR DE HERRAJE (OTROS)



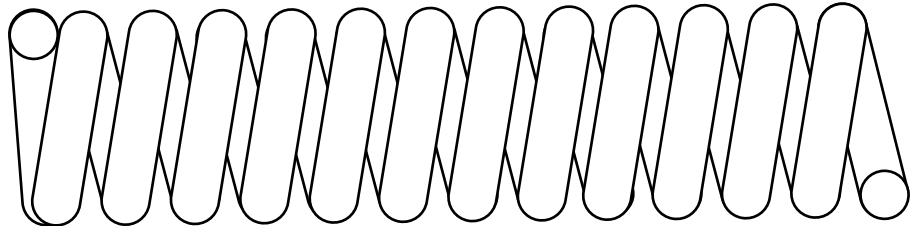
#61 (1)



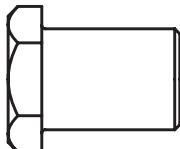
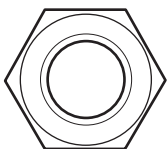
#44 (1)



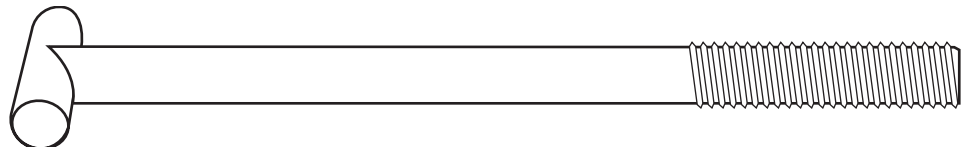
#45 (1)



#46 (1)

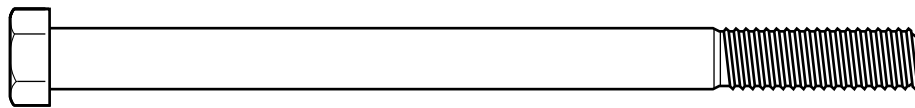


#47 (1)

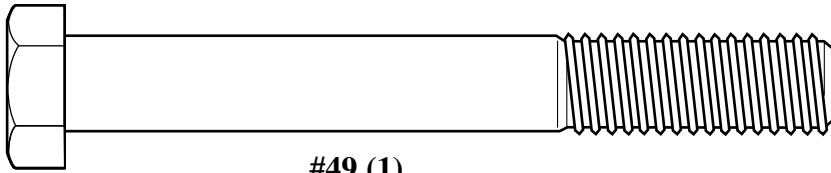


#48 (1)

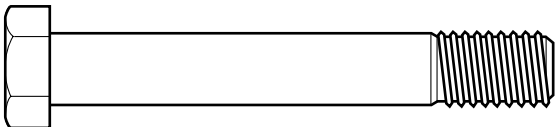
**IDENTIFICATION DES PIÈCES (BOULONS ET VIS)
 BEFESTIGUNGSTEILESCHLÜSSEL (BOLZEN UND SCHRAUBEN)
 IDENTIFICADOR DE HERRAJE (PERNOS Y TORNILLOS)**



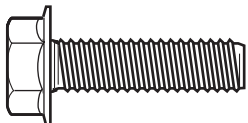
#13 (2)



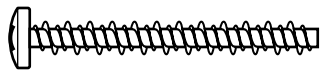
#49 (1)



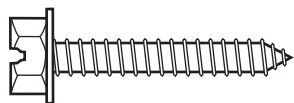
#29 (4)



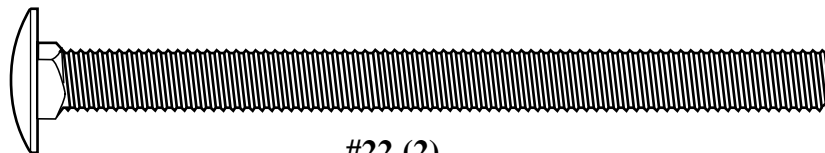
41 (4)



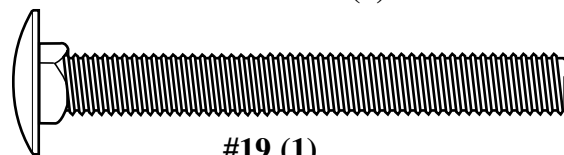
#55 (1)



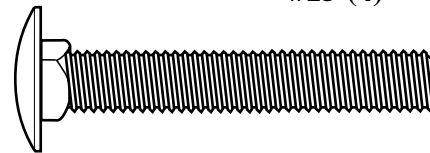
#46 (6)



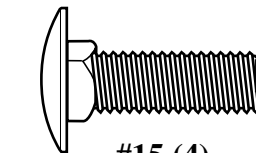
#22 (2)



#19 (1)



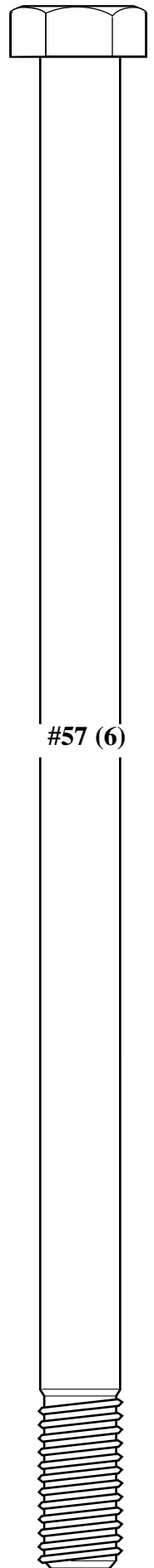
#54 (2)



#15 (4)



#9 (6)

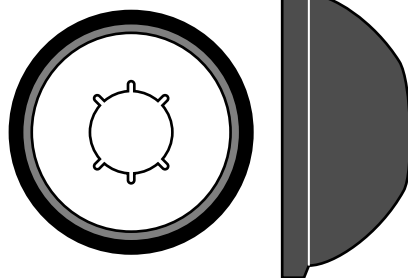


#57 (6)

**IDENTIFICATION DES PIÈCES (ENTRETOISES ET CAPUCHONS EN PLASTIQUE)
 BEFESTIGUNGSTEILESCHLÜSSEL (PLASTIK-ABSTANDSSTÜCKE UND KAPPEN)
 IDENTIFICADORES DEL HERRAJE (ESPACIADORES DE PLÁSTICO Y TAPAS)**



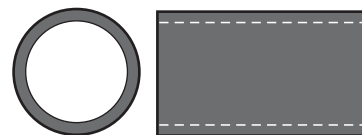
#17 (1)



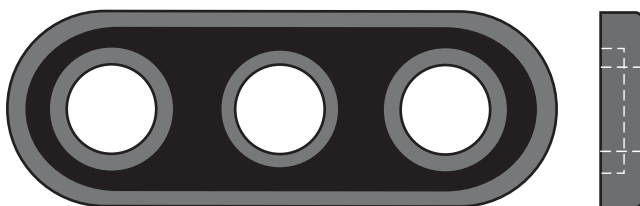
#7 (2)



#53 (4)



#20 (8)



#24 (2)



#56 (4)

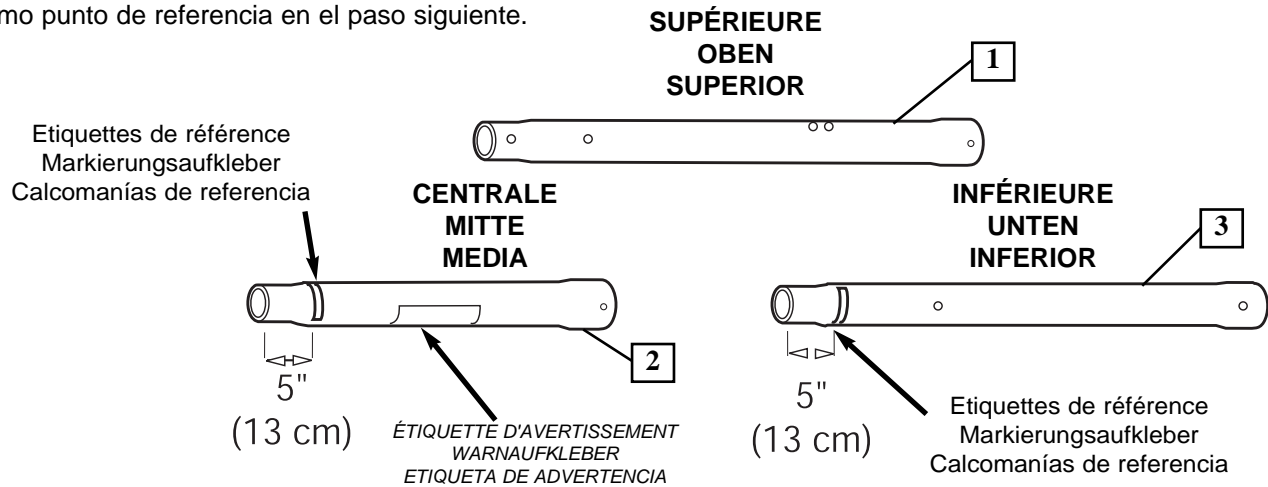
SECTION A : MONTAGE DES SECTIONS DE POTEAU

BAUABSCHNITT A: ZUSAMMENBAU DER STANGENTEILE

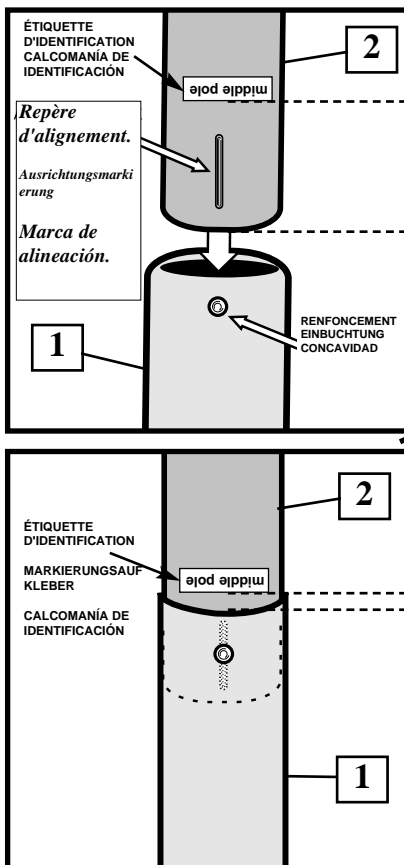
SECCIÓN A: MONTAJE DE LAS SECCIONES DEL POSTE

1.

- Identifiez correctement chaque section de poteau. Les poteaux ont une étiquette d'identification qui servira de point de repère à l'étape suivante.
- Jedes Stangenteil richtig identifizieren. Die Stangenteile sind mit Aufklebern markiert, die als Orientierungshilfe für den nächsten Schritt dienen.
- Identifique correctamente cada sección del poste. Los postes tienen una calcomanía de identificación que se usará como punto de referencia en el paso siguiente.



2.

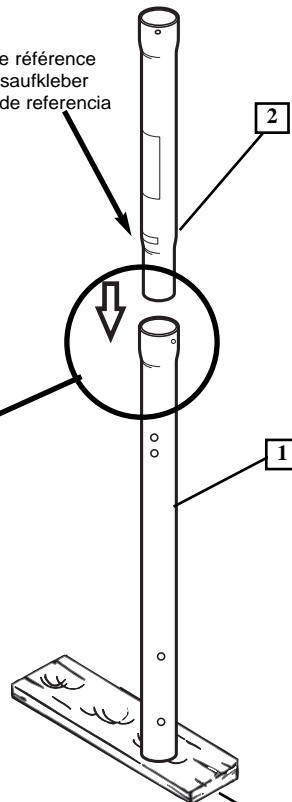


Étiquettes de référence
Markierungsaufkleber
Calcomanías de referencia

Alignez le renforcement en haut du poteau sur la fente de la section de poteau centrale. Tout en maintenant l'alignement, entrechoquez les sections de poteau supérieure (1) et centrale (2) en utilisant une chute de bois, comme illustré, jusqu'à ce que la section supérieure ne bouge plus vers le repère de référence de la section centrale.

Die Einbuchtung am oberen Stangenteil mit dem Schlitz am mittleren Stangenteil zur Deckung bringen. Diese Ausrichtung während des folgenden Arbeitsschritts beibehalten. Das mittlere Stangenteil (2) wie gezeigt mit einem Holzstück in das obere Stangenteil (1) hineinklopfen, bis sich das obere Stangenteil nicht mehr auf die markierte Stelle am mittleren Stangenteil zubewegt.

Alinee la concavidad de la sección superior del poste con la ranura de la sección media del poste. Mientras mantiene la alineación golpee la sección media del poste (2) contra la sección superior del poste (1) usando un trozo de madera, como se muestra, hasta que la parte superior del poste ya no se mueva hacia la marca de identificación que se encuentra a la sección media del poste..



Bout de bois
(non fourni)

Holzstück
(nicht im
Lieferumfang
enthalten)

Trozo de madera
(No se suministra)



REMARQUE: HINWEIS: NOTA:

Les sections de poteau doivent se chevaucher de 9 cm minimum. Une fois assemblées, les sections de poteau ne PEUVENT pas être séparées !

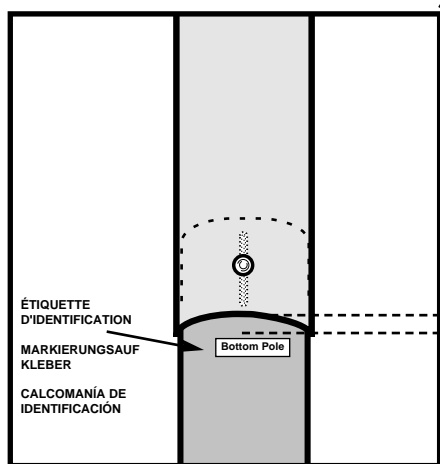
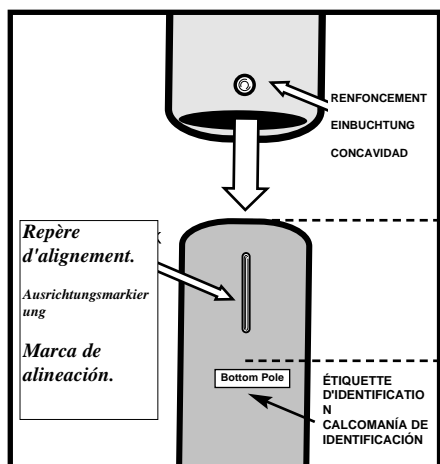
Las secciones del poste se deben traslapar un mínimo de 3-1/2" (9 cm). Una vez montadas las secciones del poste ¡NO SE PUEDEN separar!

Die Stangenteile müssen einander um mindestens 9 cm (3 1/2 Zoll) überlappen. Nach dem Zusammenbau können die einzelnen Stangenteile NICHT mehr voneinander getrennt werden.

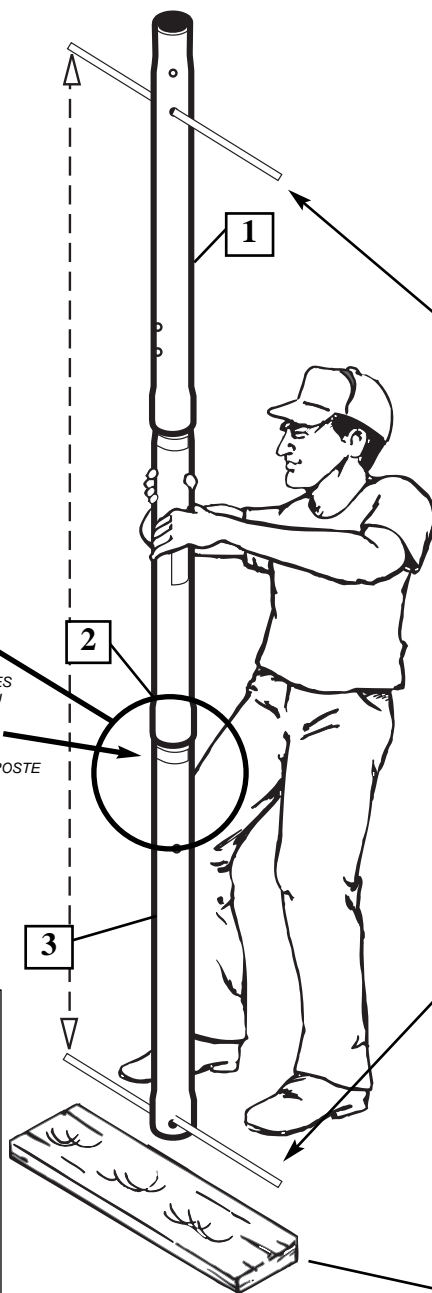
3. Aligned le renforcement de la section de poteau centrale sur la fente de la section de poteau inférieure. Tout en maintenant l'alignement, entrechoquez l'ensemble des sections de poteau supérieure et centrale (1 & 2) sur la section de poteau inférieure (3), comme illustré, jusqu'à ce que l'ensemble ne bouge plus vers le repère de référence de la section inférieure (3).

Die Einbuchtung am mittleren Stangenteil mit dem Schlitz am unteren Stangenteil zur Deckung bringen. Diese Ausrichtung während des folgenden Arbeitsschritts beibehalten. Die aus dem oberen und mittleren Stangenteil bestehende Einheit (1 u. 2) wie gezeigt auf das untere Stangenteil (3) klopfen, bis sie sich nicht mehr auf die Stangenmarkierung am unteren Stangenteil (3) zubewegt.

Alinee la concavidad de la sección media del poste con la ranura de la sección inferior del poste. Mientras mantiene la alineación, golpee el conjunto de las secciones superior y media del poste (1 y 2) contra la sección inferior del poste (3) como se muestra hasta que el conjunto de las secciones superior y media del poste (1 y 2) ya no se muevan hacia la marca de identificación del poste que se encuentra en la sección inferior del poste (3).



REPÈRE D'IDENTIFICATION DES SECTIONS DE POTEAU
STANGENMARKIERUNG
MARCA DE IDENTIFICACIÓN DEL POSTE



LES TIGES SONT ILLUSTRÉES UNIQUEMENT POUR INDUIRE L'ALIGNEMENT REQUIS. ELLES NE SONT PAS COMPRISÉES DANS LE MATÉRIEL FOURNI.

DIE HIER ABGEBILDETEN STÄBE DIENEN NUR DER BESSEREN VERANSCHAULICHUNG DER KORREKTEN AUSRICHTUNG; SIE SIND NICHT IM LIEFERUMFANG ENTHALTEN.

LAS VARILLAS SE MUESTRAN CON EL OBJETO DE REPRESENTAR VISUALMENTE LA ALINEACIÓN, Y NO SE SUMINISTRAN CON EL HERRAJE

Bout de bois (non fourni)

Holzstück (nicht im Lieferumfang enthalten)

Trozo de madera (No se suministra)

**IMPORTANT!
WICHTIG!
¡IMPORTANTE!**

Les trous des sections de poteau supérieure (1) et inférieure (3) DOIVENT être alignés les uns avec les autres pour permettre le positionnement correct du dispositif élévateur par rapport à la surface de jeu.

Die Löcher im oberen (1) und unteren (3) Stangenteil MÜSSEN miteinander zur Deckung kommen, damit das Verlängerungssystem richtig zur Spielfläche hin positioniert werden kann.

Los orificios de las secciones superior (1) e inferior (3) del poste DEBEN estar alineados para colocar correctamente el sistema elevador hacia la superficie de juego.



**REMARQUE:
HINWEIS:
NOTA:**

Les sections de poteau doivent se chevaucher de 9 cm minimum. Une fois assemblées, les sections de poteau ne PEUVENT pas être séparées !

Las secciones del poste se deben traslapar un mínimo de 3-1/2" (9 cm). Una vez montadas las secciones del poste ¡NO SE PUEDEN separar!

Die Stangenteile müssen einander um mindestens 9 cm (3 1/2 Zoll) überlappen. Nach dem Zusammenbau können die einzelnen Stangenteile NICHT mehr voneinander getrennt werden.

SECTION B : MONTAGE DU SOCLE

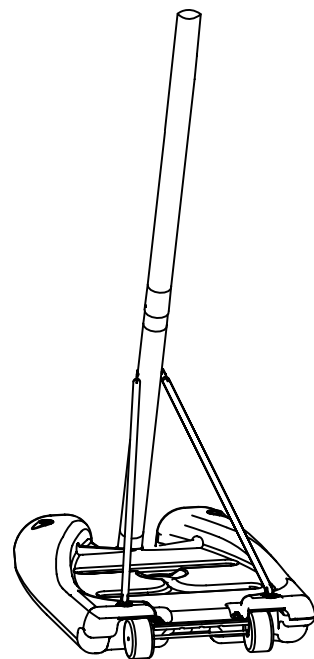
BAUABSCHNITT B: ZUSAMMENBAU DES SOCKELS

SECCIÓN B: MONTAJE DE LA BASE

Voici à quoi ressemblera votre système lorsque vous en aurez fini avec cette section:

So sieht das System aus, wenn Sie mit diesem Bauabschnitt fertig sind:

Así es como se verá su sistema cuando haya terminado esta sección:



OUTILS REQUIS POUR CETTE SECTION

FÜR DIESEN BAUABSCHNITT BENÖTIGTES WERKZEUG

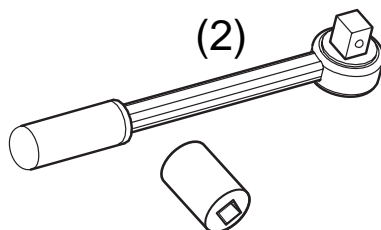
HERRAMIENTAS REQUERIDAS PARA ESTA SECCIÓN

(2) 1/2"

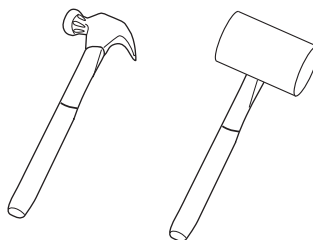


UND/ODER
ET/OU

(2)



1/2"



1. Assemblez le support du poteau (12) au moyen d'un boulon (13) et d'un contre-écrou (14), de la façon illustrée.

Die Stangenhalterung (12) wie gezeigt mit Schraube (13) und Gegenmutter (14) zusammenbauen.

Monte el soporte del poste (12) usando el perno (13) y la contratuerca (14) como se muestra.

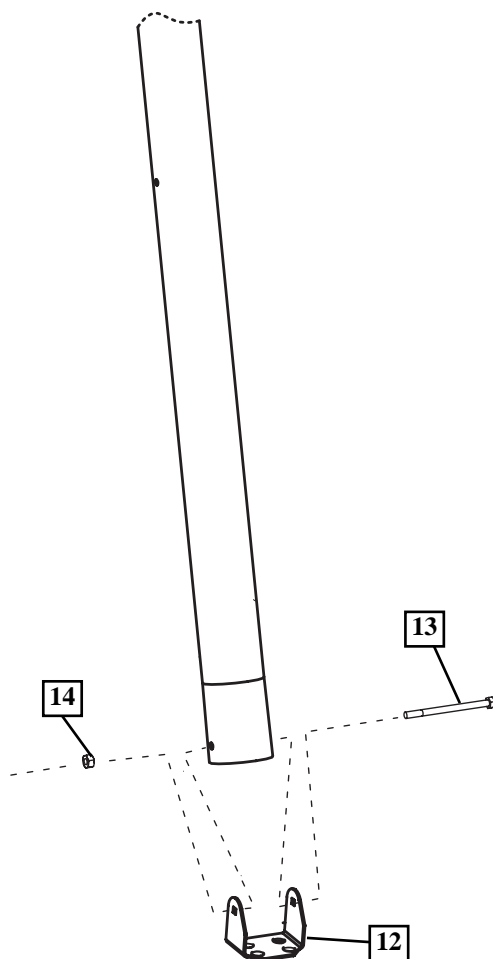
2. Fixez le poteau sur le socle au moyen de boulons ordinaires (15), de rondelles (10) et d'écrous (11), de la façon illustrée. Il est recommandé de s'y prendre à deux pour cette manœuvre.

Den Stangenbaugruppe wie gezeigt mit Schlossschrauben (15), Unterlegscheiben (10) und Muttern (11) am Sockel befestigen. Dieses Schritt muss von zwei Personen ausgeführt werden.

Instale el conjunto del poste en la base usando pernos cabeza de carro (15), arandelas (10) y tuercas (11) como se muestra. Se recomienda que dos personas realicen este paso.

IMPORTANT!
WICHTIG!
¡IMPORTANTE!

NE SERREZ PAS TROP !
NICHT ZU FEST ANZIEHEN.
NO APRIETE EXCESIVAMENTE

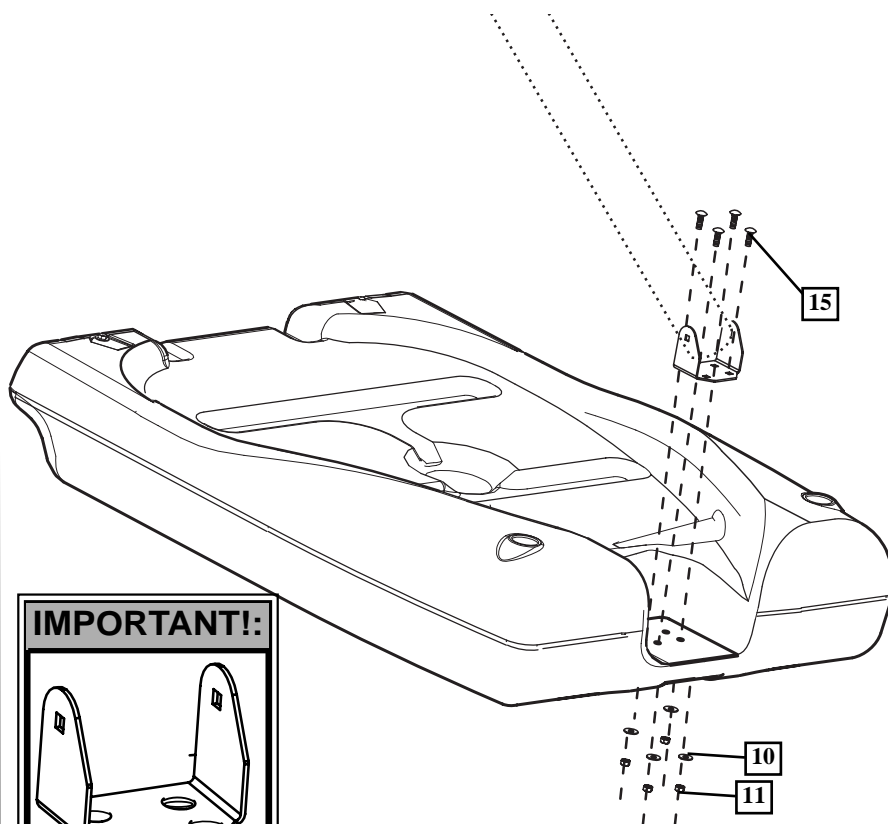


IMPORTANT!:

LES COINS BISEAUTÉS DU SUPPORT DE POTEAU DOIVENT ÊTRE ORIENTÉS VERS L'ARRIÈRE DU SOCLE, DE LA FAÇON ILLUSTRÉE.

DIE ABGESCHRÄGTEN ECKEN DER STANGENHALTERUNG MÜSSEN WIE GEZEIGT ZUR RÜCKSEITE DES SOCKELS HIN WEISEN.

LAS ESQUINAS RECORTADAS DEL SOPORTE DEL POSTE NECESITAN ESTAR ORIENTADAS HACIA LA PARTE POSTERIOR DE LA BASE COMO SE MUESTRA.



AVERTISSEMENT !
WARNING!
¡ADVERTENCIA!

Il est obligatoire de s'y prendre à deux pour cette procédure. SUIVEZ CET AVERTISSEMENT SOUS PEINE D'ENCOURIR DES BLESSURES GRAVES ET/OU DES DÉGÂTS MATÉRIELS.

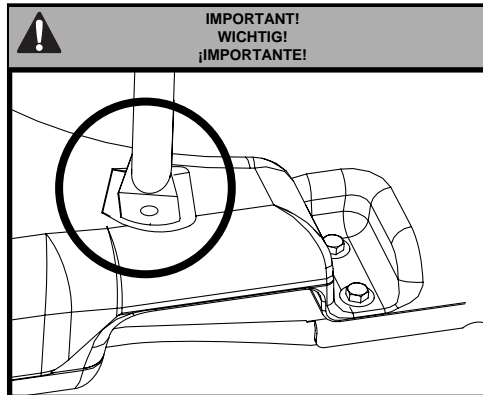
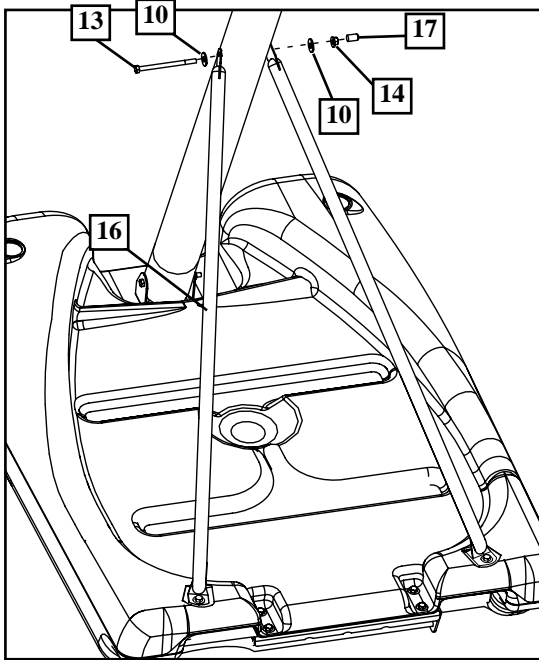
Dieses Schritt muss von zwei Personen ausgeführt werden. EIN MISSACHTEN DIESER WARNUNG KANN ZU SCHWEREN VERLETZUNGEN UND/ODER SACHSCHÄDEN FÜHREN.

Se requieren dos personas para realizar este procedimiento. SI NO SE OBSERVA ESTA ADVERTENCIA SE PODRÍA OCASIONAR UNA lesión GRAVE Y/O DAÑOS A LA PROPIEDAD.

3. Fixez les contrefiches du réservoir (16) sur le poteau, de la façon illustrée. L'écrou doit être serré jusqu'à ce qu'il affleure avec le rebord extérieur des contre-écrous. Coiffez l'extrémité dénudée du boulon avec un capuchon, de la façon illustrée.

Die Tankverstreben (16) wie gezeigt an der Stange befestigen. Die Mutter muss so weit angezogen werden, bis sie bündig mit der Außenkante der Gegenmutter abschließt. Die Kappe (17) wie gezeigt auf das freiliegende Ende der Schraube aufsetzen.

Fije los puntales del tanque (16) al poste como se muestra. La tuerca se debe apretar hasta que quede al ras del borde exterior de las contratuercas. Coloque la tapa (17) sobre el extremo expuesto del perno como se muestra.



IMPORTANT!
WICHTIG!
¡IMPORTANTE!

AVERTISSEMENT !
WARNUNG!
¡ADVERTENCIA!

Il est obligatoire de s'y prendre à deux pour cette procédure. SUIVEZ CET AVERTISSEMENT SOUS PEINE D'ENCOURIR DES BLESSURES GRAVES ET/OU DES DÉGÂTS MATÉRIELS.

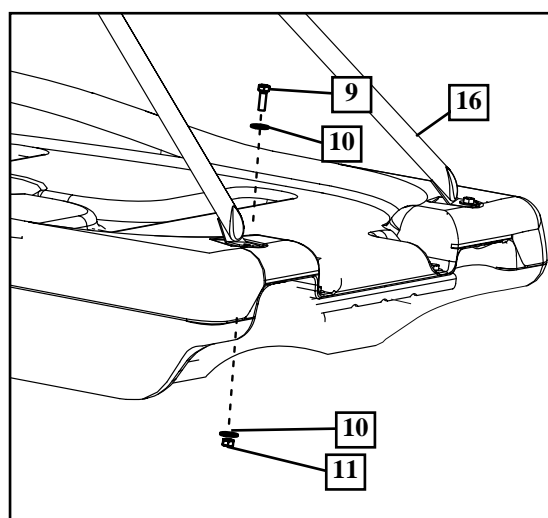
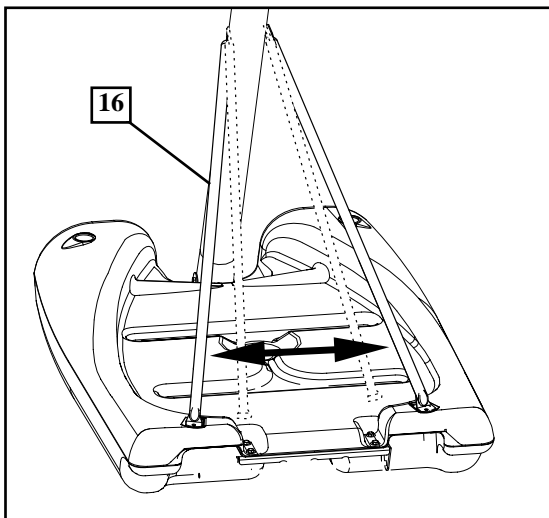
Dieses Schritt muss von zwei Personen ausgeführt werden. EIN MISSACHTEN DIESER WARNUNG KANN ZU SCHWEREN VERLETZUNGEN UND/ODER SACHSCHÄDEN FÜHREN.

Se requieren dos personas para realizar este procedimiento. SI NO SE OBSERVA ESTA ADVERTENCIA SE PODRÍA OCASIONAR UNA lesión GRAVE Y/O DAÑOS A LA PROPIEDAD.

4. Ramenez les extrémités non fixées des contrefiches du réservoir (16) vers l'extérieur sur les trous de fixation du réservoir, de la façon illustrée. Fixez les extrémités des contrefiches (16) sur le réservoir, de la façon illustrée. Répétez la manœuvre pour l'autre côté.

Die ungesicherten Enden der Tankverstreben (16) wie gezeigt nach außen zu den Befestigungslöchern im Tank drehen. Die Enden der Tankverstreben (16) wie gezeigt am Tank befestigen. Das gleiche Verfahren auf der anderen Seite durchführen.

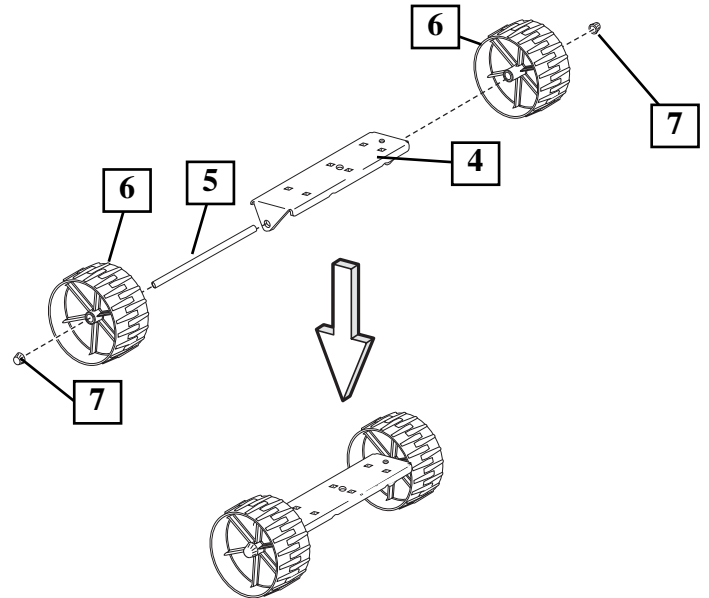
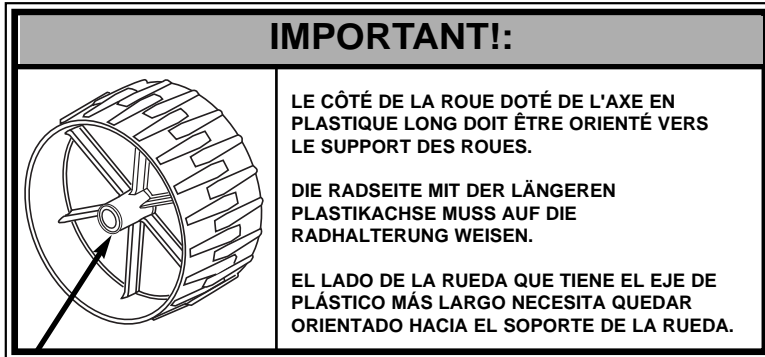
Haga girar los extremos no asegurados de los puntales del tanque (16) hacia fuera hasta los orificios de montaje del tanque como se muestra. Fije los extremos de los puntales del tanque (16) en el tanque como se muestra. Repita el procedimiento en el lado opuesto.



5. Insérez l'axe (5) dans le support des roues (4). Fixez les roues (6) sur l'axe au moyen d'écrous capuchons (7). Frappez délicatement sur les écrous capuchons avec le marteau ou le maillet pour les fixer sur l'axe.

Die Achsenstange (5) wie gezeigt durch die Radhalterung (4) stecken. Die Räder (6) mit den Druckmuttern (7) an der Achse befestigen. Die Druckmuttern mit einem Hammer oder Gummihammer vorsichtig auf die Achse aufklopfen.

Introduzca el eje (5) a través del soporte de la rueda (4). Fije las ruedas (6) al eje usando las tuercas dentadas (7). Cuidadosamente introduzca las tuercas dentadas en el eje usando un martillo regular o uno de caucho

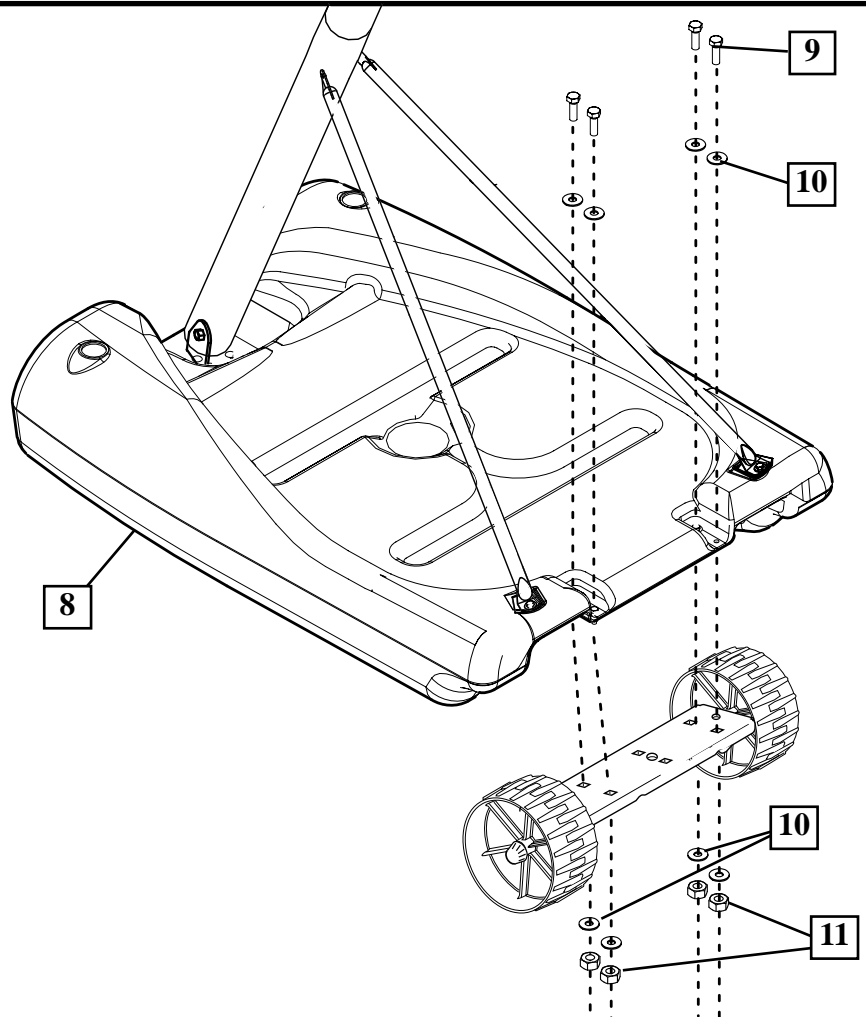


6.

Installez l'ensemble des roues sur le socle (8) à l'aide de boulons (9), de rondelles (10) et d'écrous (11), de la façon illustrée.

Den Rädergruppe wie gezeigt mit Schrauben (9), Unterlegscheiben (10) und Mutter (11) am Sockel (8) befestigen.

Instale el conjunto de la rueda en la base (8) usando pernos (9), arandelas (10) y tuercas (11) como se muestra.

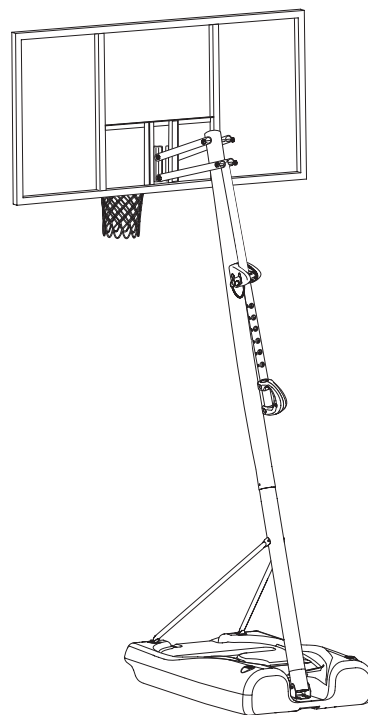


SECTION C : MONTAGE DU DISPOSITIF ÉLÉVATEUR ET DU PANNEAU
BAUABSCHNITT C: ZUSAMMENBAU VON VERLÄNGERUNGSVORRICHTUNG UND KORBWAND
SECCIÓN C: MONTAJE DEL ELEVADOR Y EL RESPALDO

Voici à quoi ressemblera votre système lorsque vous en aurez fini avec cette section:

So sieht das System aus, wenn Sie mit diesem Bauabschnitt fertig sind:

Así es como se verá su sistema cuando haya terminado esta sección:



OUTILS REQUIS POUR CETTE SECTION

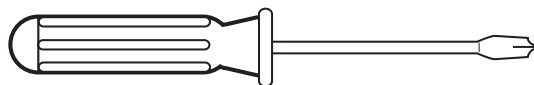
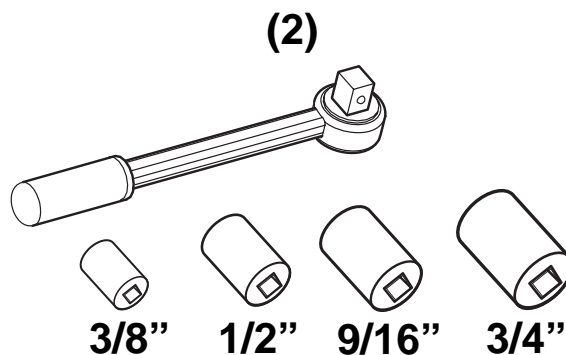
FÜR DIESEN BAUABSCHNITT BENÖTIGTES WERKZEUG

HERRAMIENTAS REQUERIDAS PARA ESTA SECCIÓN

**(1) 3/8", (2) 1/2", (2) 9/16",
(2) 3/4"**



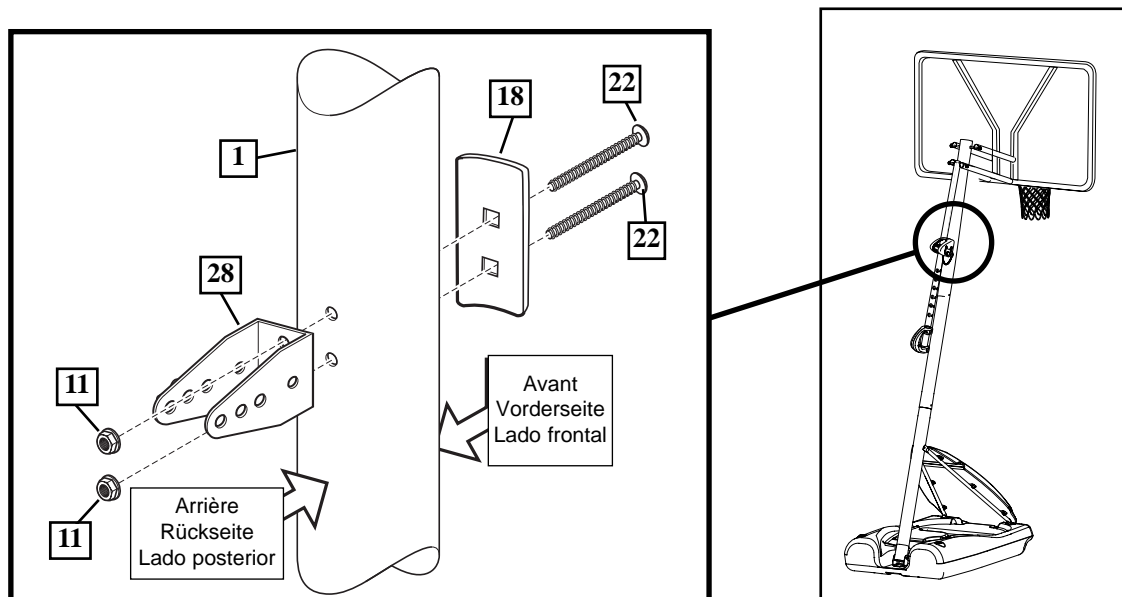
**UND/ODER
ET/OU**



1. Installez le support du poteau (28) et le support de renforcement (18) à l'aide de boulons ordinaires (22), de la façon illustrée. Serrez à fond les écrous à embase (11).

Die Stangenmontagehalterung (28) und die Verstärkungshalterung (18) wie gezeigt mit Schlossschrauben (22) befestigen. Die Flanschmutter (11) fest anziehen.

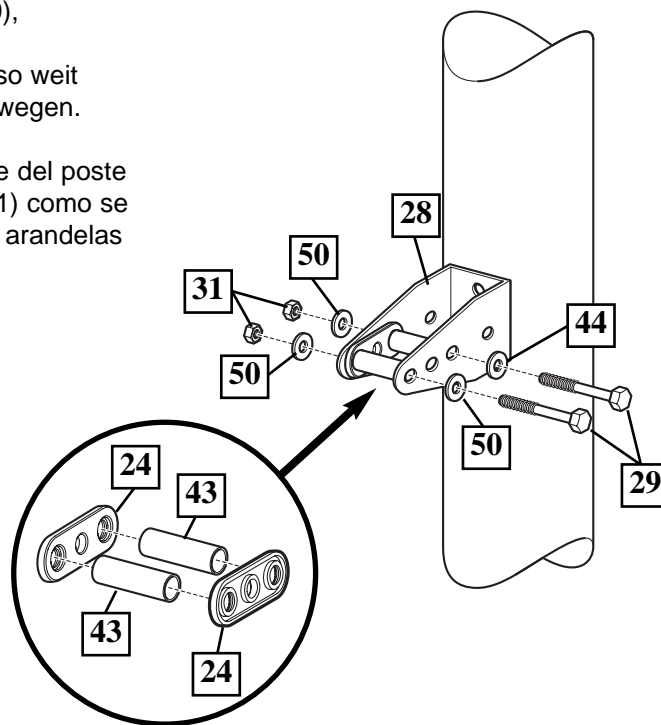
Instale el soporte de montaje del poste (28) y el soporte de refuerzo (18) con los pernos cabeza de carro (22) como se muestra. Apriete completamente las tuercas de brida (11).



2. Fixez les entretoises (24, 43) sur le support de poteau (28) au moyen de boulons (29), de rondelles (50) et d'écrous (31), de la façon illustrée. **IMPORTANT!** Serrez seulement jusqu'à ce que les rondelles (44) cessent de tourner.

Die Abstandsstücke (24, 43) wie gezeigt mit Schrauben (29), Unterlegscheiben (50) und Gegenmutter (31) an der Stangenmontagehalterung (28) befestigen. **WICHTIG!** Nur so weit anziehen, bis sich die Unterlegscheiben (44) nicht mehr bewegen.

Conecte los espaciadores (24, 43) en el soporte de montaje del poste (28) usando pernos (29), arandelas (50) y contratuercas (31) como se muestra. **¡IMPORTANTE!** Apriete lo suficiente para que las arandelas (44) no se muevan.



IMPORTANT!
WICHTIG!
¡IMPORTANTE!

Serrez juste jusqu'à ce que les rondelles (50) cessent de tourner.

Nur so weit anziehen, bis sich die Unterlegscheiben (50) nicht mehr bewegen.

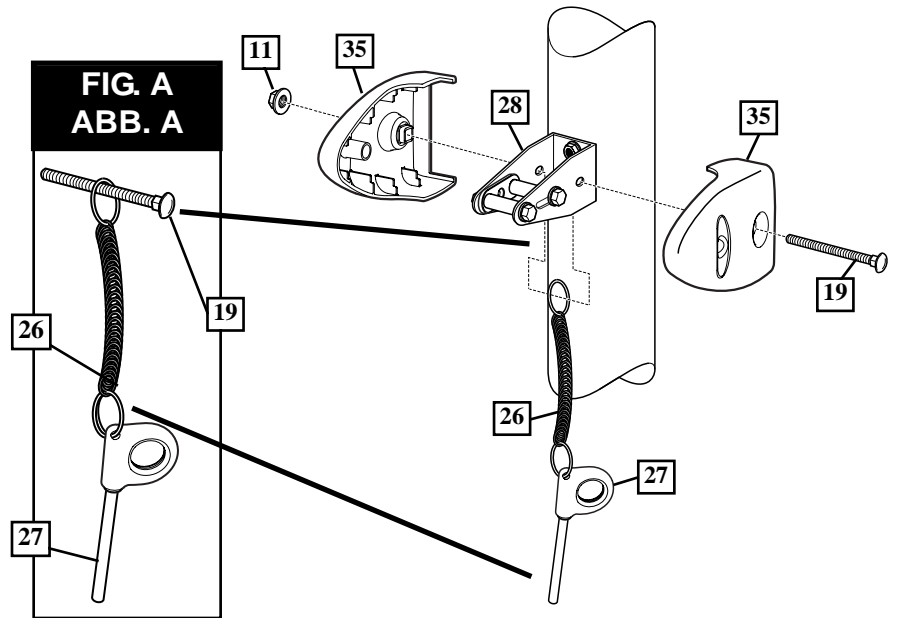
Apriete lo suficiente para que las arandelas (50) no se muevan.

3.

Assemblez le cordon (26) et la goupille de blocage (27) de la façon illustrée. Fixez les couvre-supports (35) sur le support de poteau (28) à l'aide d'un boulon ordinaire (19) et d'un écrou (11), de la façon illustrée.

Die Leine (26) wie gezeigt (Abb. A) am Verriegelungsstift (27) befestigen. Die Abdeckungen (35) mit der Schlossschraube (19) und Mutter (11) wie gezeigt an der Stangenmontagehalterung (28) befestigen.

Monte el acollador (26) en el perno de fijación (27) como se muestra (FIG A). Coloque las cubiertas (35) en el soporte de montaje del poste (28) con un perno cabeza de carro (19) y una tuerca (11) como se muestra.



IMPORTANT!:

DURANT LE MONTAGE, ENFILEZ LE BOULON ORDINAIRE (19) DANS L'EXTRÉMITÉ DU CORDON (26) AVANT DE LE FAIRE PASSER DANS LE SUPPORT DE POTEAU (28) (VOIR FIGURE A).

WÄHREND DIESES MONTAGESCHRITTS DAS ENDE DER STIFTLIENE (26) ÜBER DIE SCHLOSSSCHRAUBE (19) SCHLINGEN, WENN DIESE DURCH DIE STANGENMONTAGEHALTERUNG (28) GESCHOBEN WIRD (SIEHE ABB. A).

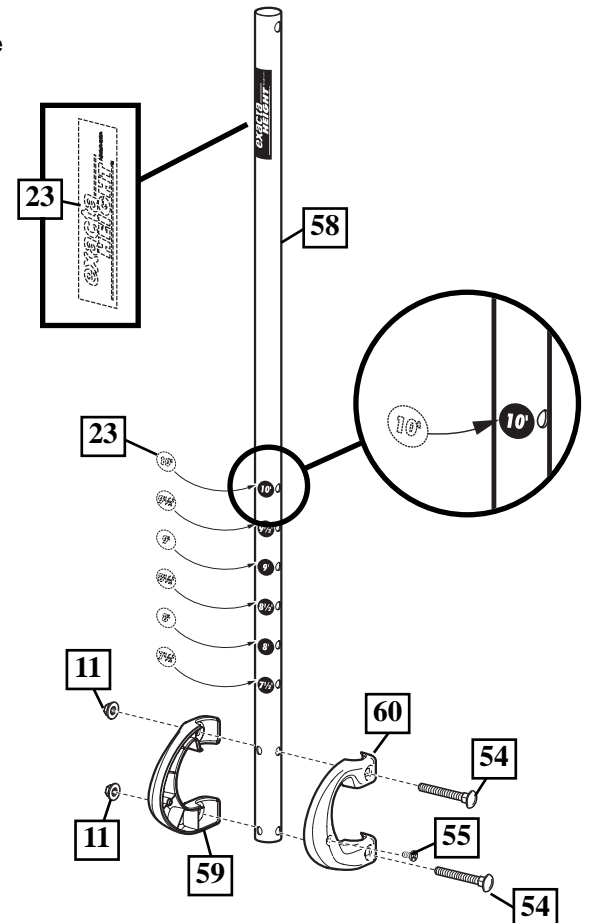
INSERTE EL EXTREMO DEL ACOLLADOR DEL PASADOR (26) SOBRE EL PERNO CABEZA DE CARRO (19) CONFORME PASA A TRAVÉS DEL SOPORTE DEL MONTAJE DEL POSTE (28) DURANTE ESTE MONTAJE, VEA LA FIG. A.

4.

Collez le logo et l'étiquette d'indication de hauteur (23) sur la tige de réglage de la hauteur (58), de la façon illustrée. Fixez les sections de poignée gauche et droite (59, 60) sur la tige de réglage de la hauteur au moyen d'une vis (55), de boulons ordinaires (54) et d'écrous à embase (11), de la façon illustrée.

Das Logo und die Höhenanzeigeaufkleber (23) wie gezeigt an der Einstellstange (58) befestigen. Die Griffteile (59, 60) mit Schraube (55), Schlossschrauben (54) und Flanschmutter (11) wie gezeigt an der Einstellstange befestigen.

Aplique el logotipo y las etiquetas indicadoras de altura (23) en la varilla de ajuste (58) como se muestra. Conecte las piezas de la manija (59, 60) a la varilla de ajuste con un tornillo (55), pernos cabeza de carro (54) y tuercas de brida (11) como se muestra.

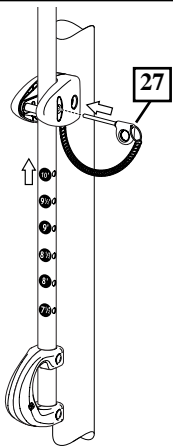


IMPORTANT! WICHTIG! ¡IMPORTANTE!

Les étiquettes doivent être appliquées le plus près possible des trous pour empêcher leur endommagement durant le réglage de la hauteur.

Die Anzeigeaufkleber sollten so nahe wie möglich an den Öffnungen angebracht werden, um eine Beschädigung der Aufkleber während der Höhenverstellung zu vermeiden.

Las etiquetas indicadoras se deben aplicar tan cerca de los orificios como sea posible para evitar que sean dañadas durante los ajustes de altura.



5.

Insérez la poignée assemblée dans le support de poteau, de la façon illustrée. Bloquez le poteau en position à 3,05 m (10 pieds) à l'aide de la goupille (27).

Die Griffbaugruppe wie gezeigt durch Stangenmontageeinheit schieben. Den Stangenaufbau mit dem Stift (27) an der 3,05-m- (10-Fuß)-Markierung sichern.

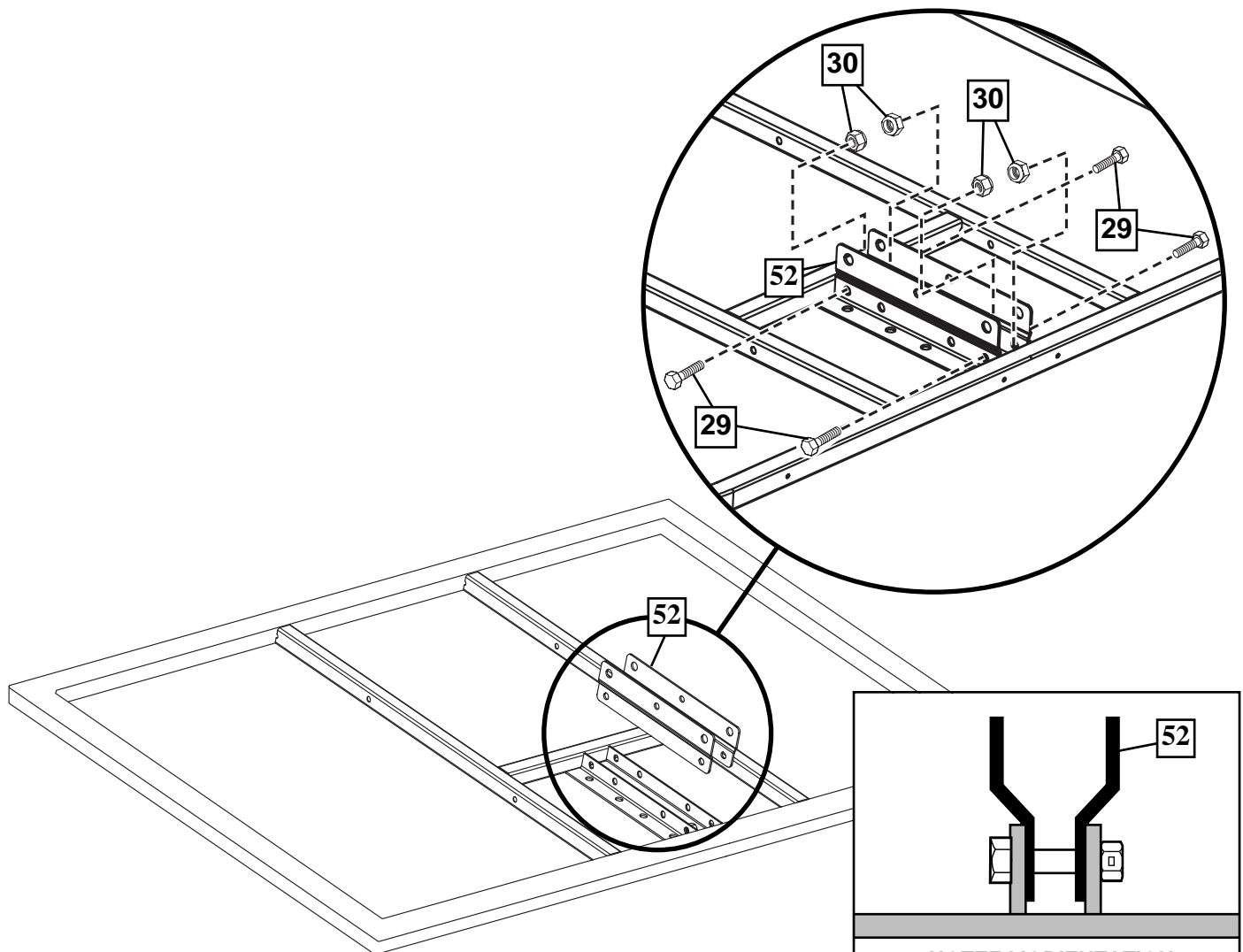
Introduzca el conjunto de la manija a través del conjunto de montaje del poste, como se muestra. Fije el conjunto del poste en su lugar en la marca de los 10' (3.05 m) con el pasador (27).

6.

Placez les supports de panneau (52) entre les contrefiches du panneau, comme illustré.

Die Korbwandklammern (52) wie gezeigt zwischen die Korbwandverstreben einsetzen.

Coloque los soportes del respaldo (52) entre los puntales del respaldo como se muestra.



NOTEZ L'ORIENTATION.

DIE KORREKTE
AUSRICHTUNG BEACHTEN.

NOTE LA ORIENTACIÓN.

7. Repérez les tubes du dispositif élévateur (33 et 34).

Die Verlängerungsrohre (33 u. 34) zurecht legen.

Identifique los tubos elevadores (33 y 34).

Vers le panneau
Zur Korbwand hin
Hacia el tablero



Tube supérieur du dispositif élévateur
Oberes Verlängerungsrohr
Tubo elevador superior

Vers le poteau
Zur Stange hin
Hacia el poste

Vers le panneau
Zur Korbwand hin
Hacia el tablero



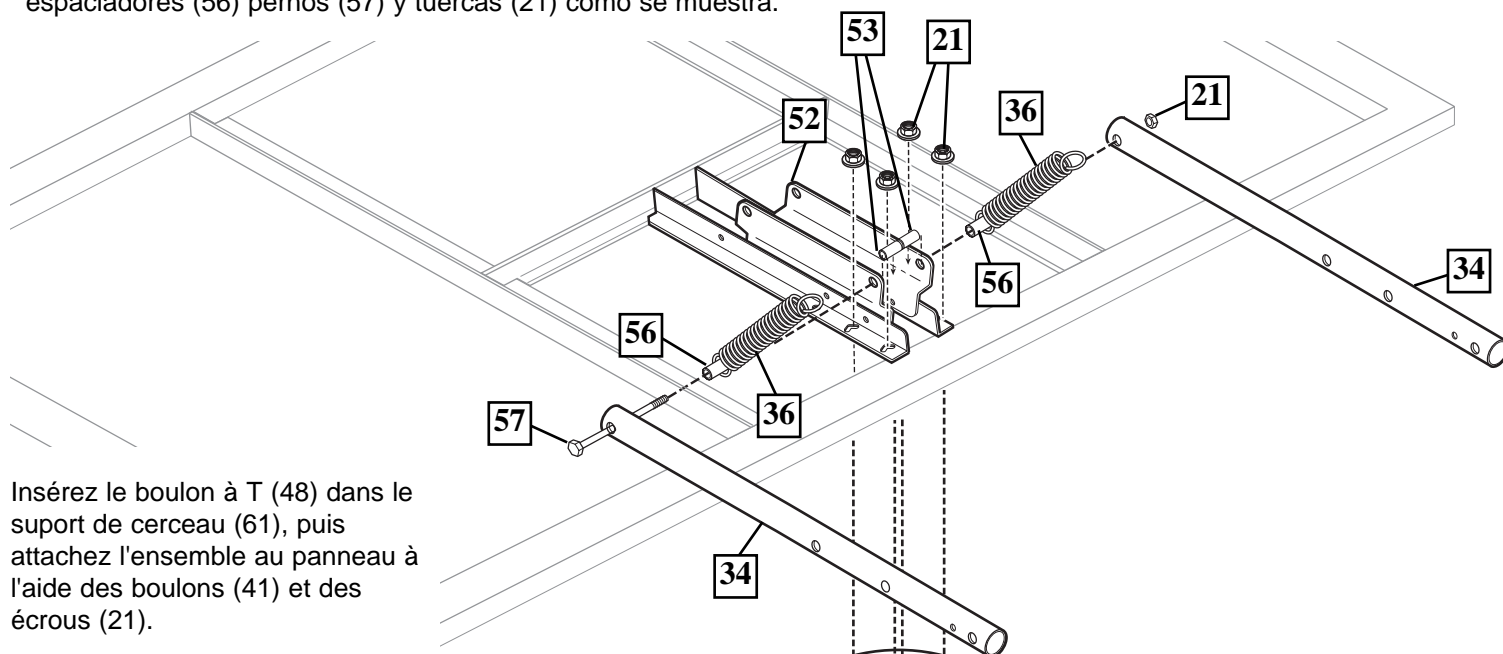
Tube inférieur du dispositif élévateur
Unteres Verlängerungsrohr
Tubo elevador inferior

Vers le poteau
Zur Stange hin
Hacia el poste

Fixez les tubes inférieurs du dispositif élévateur (34) et le ressort d'équilibrage (36) sur les supports du panneau (52) à l'aide d'entretoises (56), d'un boulon (57) et d'un écrou (21), de la façon illustrée.

Die unteren Verlängerungsrohre (34) und die Gegengewichtsfeder (36) wie gezeigt mit Abstandsstücken (56), Schraube (57) und Mutter (21) an den Korbwandstützklammern (52) befestigen.

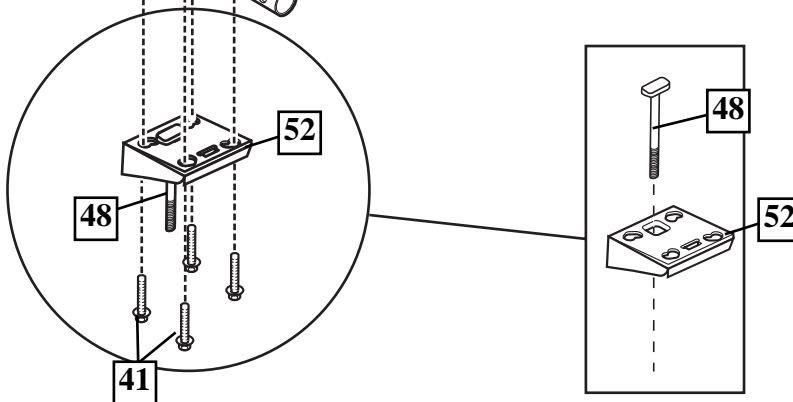
Conecte los tubos elevadores inferiores (34) y el resorte de contrapeso (36) en los soportes del respaldo (52) usando espaciadores (56) pernos (57) y tuercas (21) como se muestra.



Insérez le boulon à T (48) dans le support de cerceau (61), puis attachez l'ensemble au panneau à l'aide des boulons (41) et des écrous (21).

Die T-Nutenschraube (48) in die Korbwandhalterung (61) einsetzen; dann diese Baugruppe mit Schrauben (41) und Muttern (21) an der Korbwand befestigen.

Introduzca el perno en T (48) en el soporte del borde (61), y luego monte ese conjunto en el tablero usando pernos (41) y tuercas (21).

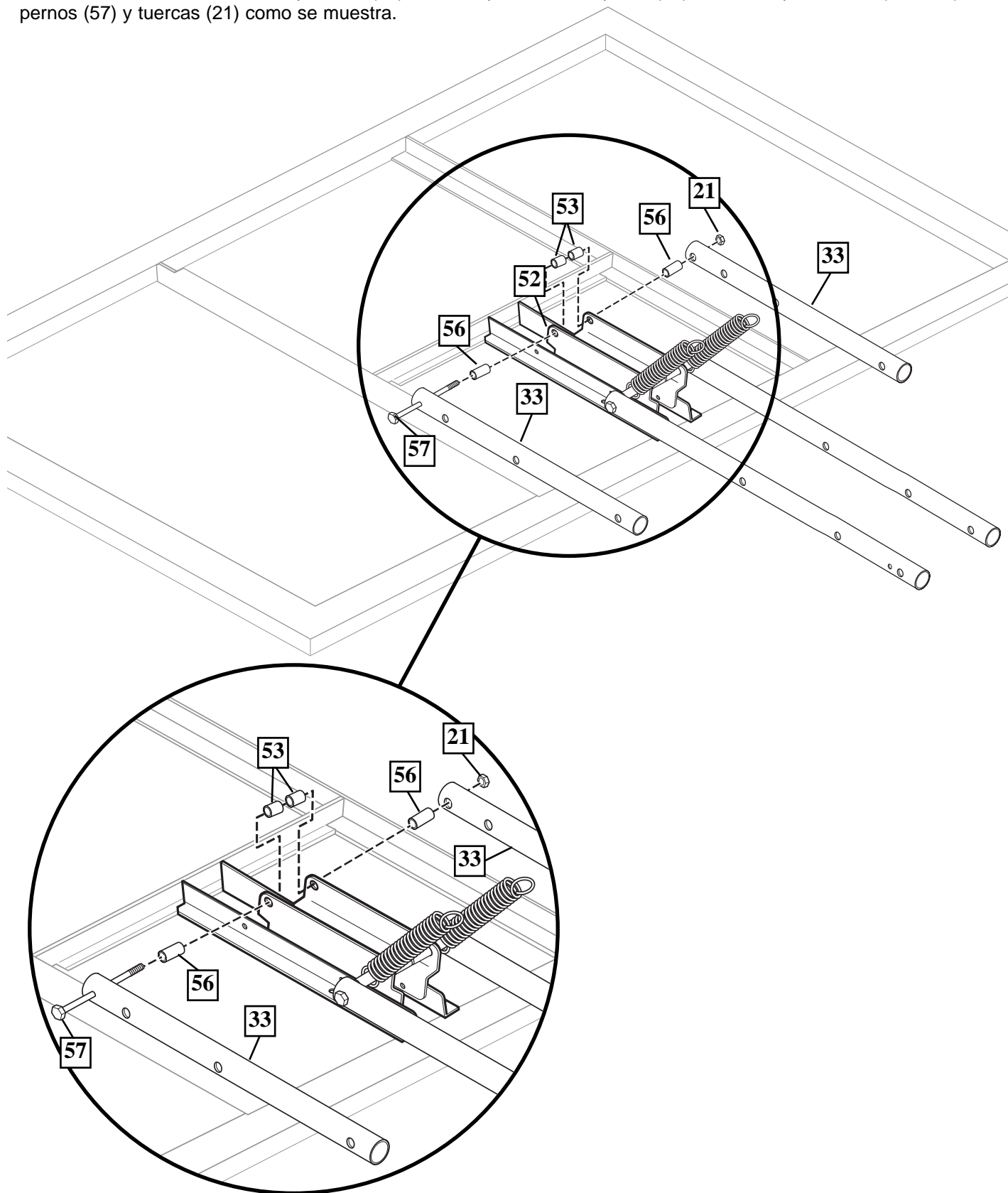


9.

Fixez les tubes supérieurs du dispositif élévateur (33) sur les supports du panneau (52) à l'aide d'entretoises (46 & 56), d'un boulon (57) et d'un écrou (21), de la façon illustrée.

Die oberen Verlängerungsröhre (33) wie gezeigt mit Abstandsstücken (46 & 56), Schraube (57) und Mutter (21) an den Korbwandstützklammern (52) befestigen.

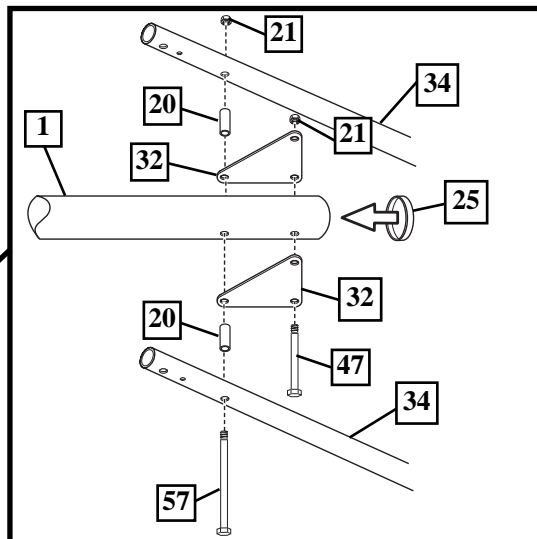
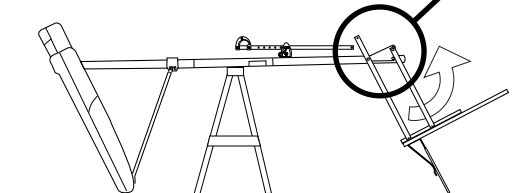
Conecte los tubos elevadores superiores (33) en los soportes del respaldo (52) usando espaciadores (46 & 56) pernos (57) y tuercas (21) como se muestra.



10. Déposez le poteau sur un banc de sciage. Installez le panneau sur la section de poteau supérieure (1), de la façon illustrée. Posez le capuchon du poteau (25). **REMARQUE :** Il est recommandé de s'y prendre à deux pour cette manœuvre. Soyez prudent, car le dispositif élévateur est lourd.

Die Stange auf einen Sägebock legen. Die Korbwandbaugruppe wie gezeigt am oberen Stangenteil (1) befestigen. Die Stangenkappe (25) aufsetzen. **HINWEIS:** Diese Arbeit sollte von zwei (2) Personen ausgeführt werden. Bitte vorsichtig zu Werke gehen; die Verlängerungsbaugruppe ist sehr schwer.

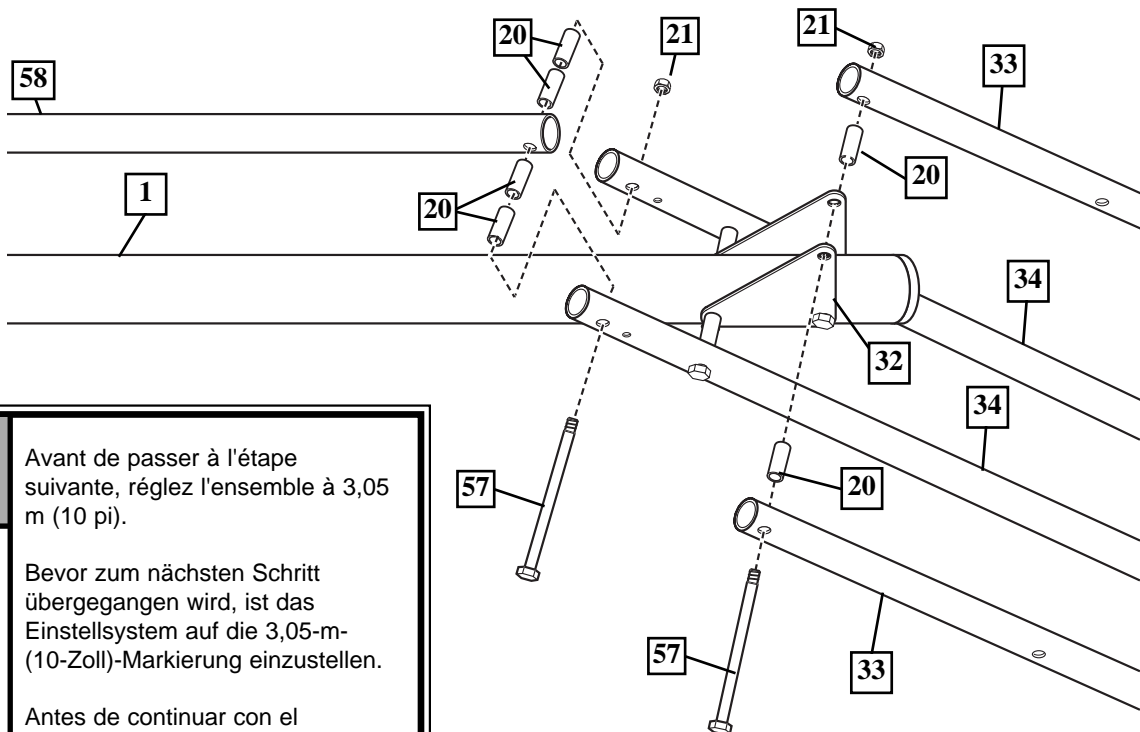
Apoye el poste en un caballete de aserrar. Conecte el conjunto del respaldo en la sección superior del poste (1) como se muestra. Instale la tapa del poste (25). **NOTA:** Se recomienda que dos personas realicen este paso. Tenga cuidado; el conjunto del elevador es pesado.



11. Installez les tubes supérieurs du dispositif élévateur (33) sur les plaques triangulaires (32), de la façon illustrée. Installez la poignée sur les tubes inférieurs du dispositif élévateur (34) au moyen d'un boulon (57), d'entretoises (20) et d'un écrou (21), de la façon illustrée.

Die oberen Verlängerungsrohre (33) wie gezeigt an den Dreiecksplatten (32) befestigen. Die Griffereinheit wie gezeigt mit Schraube (57), Abstandsstücken (20) und Mutter (21) an den unteren Verlängerungsrohren (34) anbringen.

Instale los tubos elevadores superiores (33) en las placas triangulares (32) como se muestra. Instale el conjunto de la manija en los tubos elevadores inferiores (34) usando el perno (57), espaciadores (20) y la tuerca (21) como se muestra.

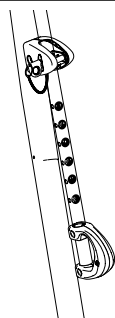


**REMARQUE
HINWEIS / NOTA**

Avant de passer à l'étape suivante, réglez l'ensemble à 3,05 m (10 pi).

Bevor zum nächsten Schritt übergegangen wird, ist das Einstellsystem auf die 3,05-m-(10-Zoll)-Markierung einzustellen.

Antes de continuar con el siguiente paso, coloque el conjunto del sistema ajustable a una altura de 3,05 m (10').



Installez le cerceau Slam Jam sur le panneau.

- A. Calez bien le cerceau (51) dans le support (61), comme illustré. Laissez glisser le boulon à T (48) à travers le trou central du cerceau (51).
- B. Installez le support de renforcement (44) sur le boulon à T (48), comme illustré.
- C. Installez le ressort (46) sur le boulon à T (48), comme illustré.
- D. Installez l'écrou spécial (47) et la rondelle (45) sur le boulon à T (48).
- E. Serrez l'écrou (47) jusqu'à ce qu'il se trouve au même niveau que l'extrémité du boulon à T (48).

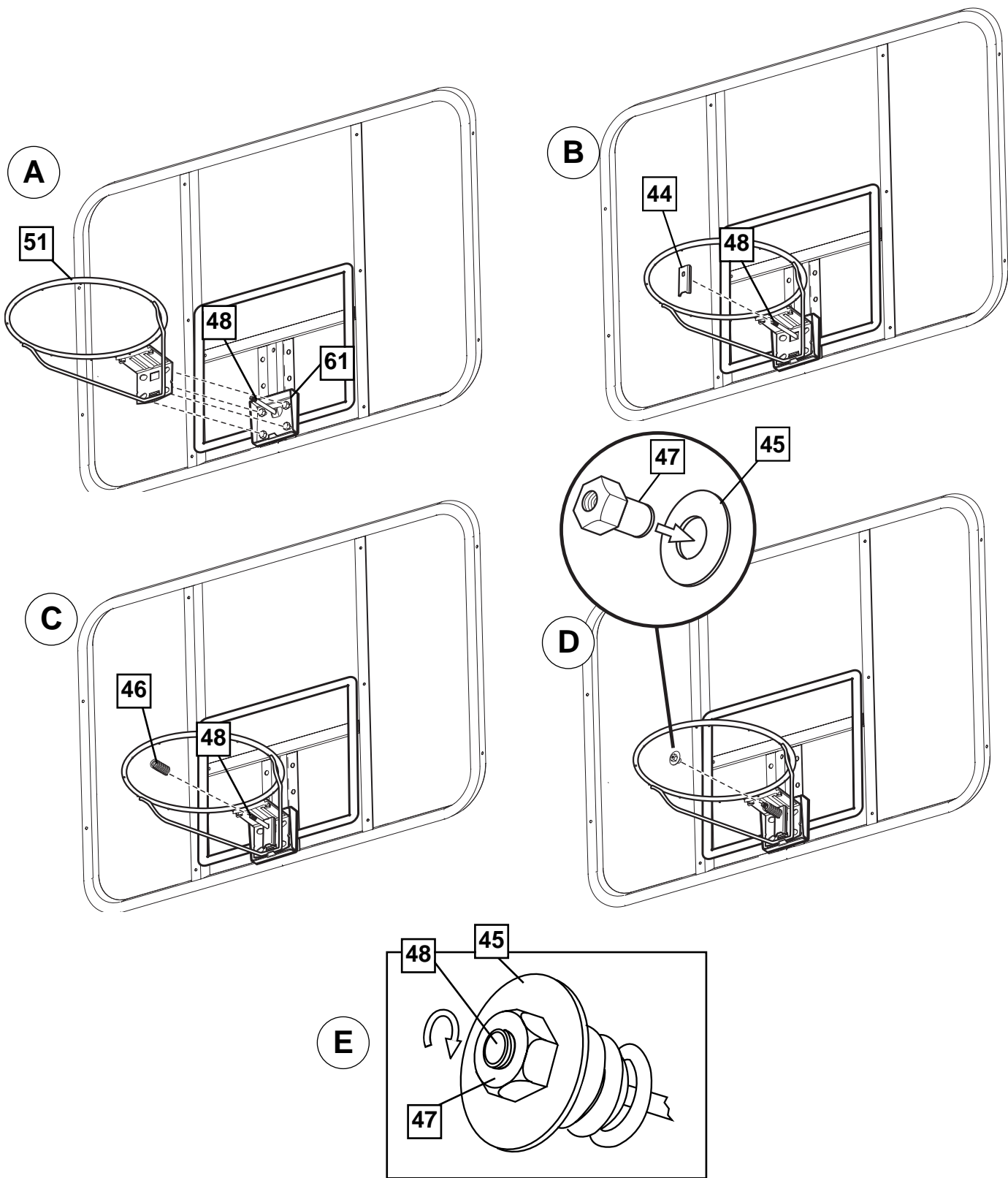
Den Slam Jam-Korbrand an der Korbwand befestigen.

- A. Den Korbrand (34) wie gezeigt in die Halterung (54) einsetzen. Die T-Nutenschraube (55) gleitet durch das mittlere Loch im Korbrand (34).
- B. Die Verstärkungshalterung (56) wie gezeigt über die T-Nutenschraube (55) schieben.
- C. Die Feder (57) wie gezeigt auf der T-Nutenschraube (55) anbringen.
- D. Die Spezialmutter (58) und Unterlegscheibe (45) auf der T-Nutenschraube (55) anbringen.
- E. Die Mutter (58) anziehen, bis sie bündig mit dem Ende der T-Nutenschraube (55) abschließt.

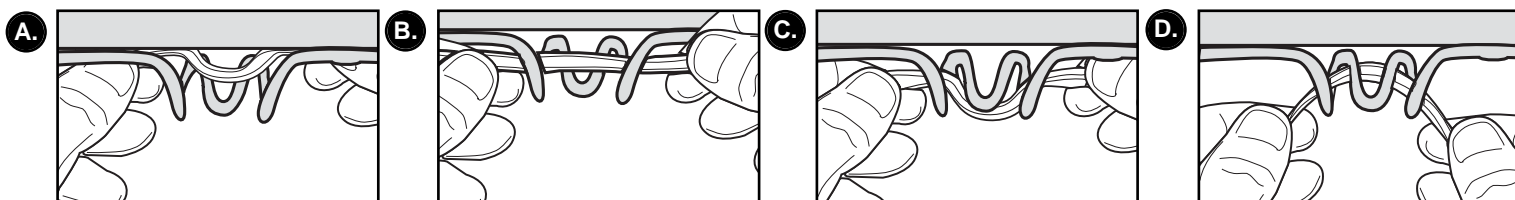
Instale el borde Slam Jam en el respaldo

- A. Ajuste el borde (34) seguramente en el soporte (54) como se muestra. Permita que el perno en "T" (55) se deslice a través del orificio central del borde (34).
- B. Instale el soporte de refuerzo (56) en el perno "T" (55) como se muestra.
- C. Instale el resorte (57) en el perno T (55) como se muestra.
- D. Instale la tuerca especial (58) y la arandela (45) en el perno T (55).
- E. Apriete la tuerca (58) hasta que quede al ras del extremo del perno T (55).

12.



13. Install net (40).



14. Enfilez le boulon (57) dans le tube supérieur gauche du dispositif élévateur (33), puis tendez le ressort (36) sur le boulon (57). Enfilez le boulon (57) dans le tube supérieur droit du dispositif élévateur (33), puis bloquez le boulon avec l'écrou (21).

Die Schraube (57) durch das linke obere Verlängerungsrohr (33) schieben und die Feder (36) über die Schraube (57) dehnen. Die Schraube (57) durch das rechte obere Verlängerungsrohr (33) schieben und mit der Mutter (21) sichern.

Introduzca el perno (57) a través del tubo elevador superior del lado izquierdo (33), luego estire el resorte (36) hasta el perno (57). Introduzca el perno (57) a través del tubo elevador superior del lado derecho (33) y asegure con la tuerca (21).

**AVERTISSEMENT !
WARNING!
¡ADVERTENCIA!**

**PROTÉGEZ-VOUS LES YEUX LORSQUE
VOUS INSTALLEZ DES RESSORTS.**

**BEIM ANBRINGEN DER FEDERN
AUGENSCHUTZ TRAGEN!**

**CUANDO INSTALE LOS RESORTES
UTILICE PROTECTORES OCULARES.**

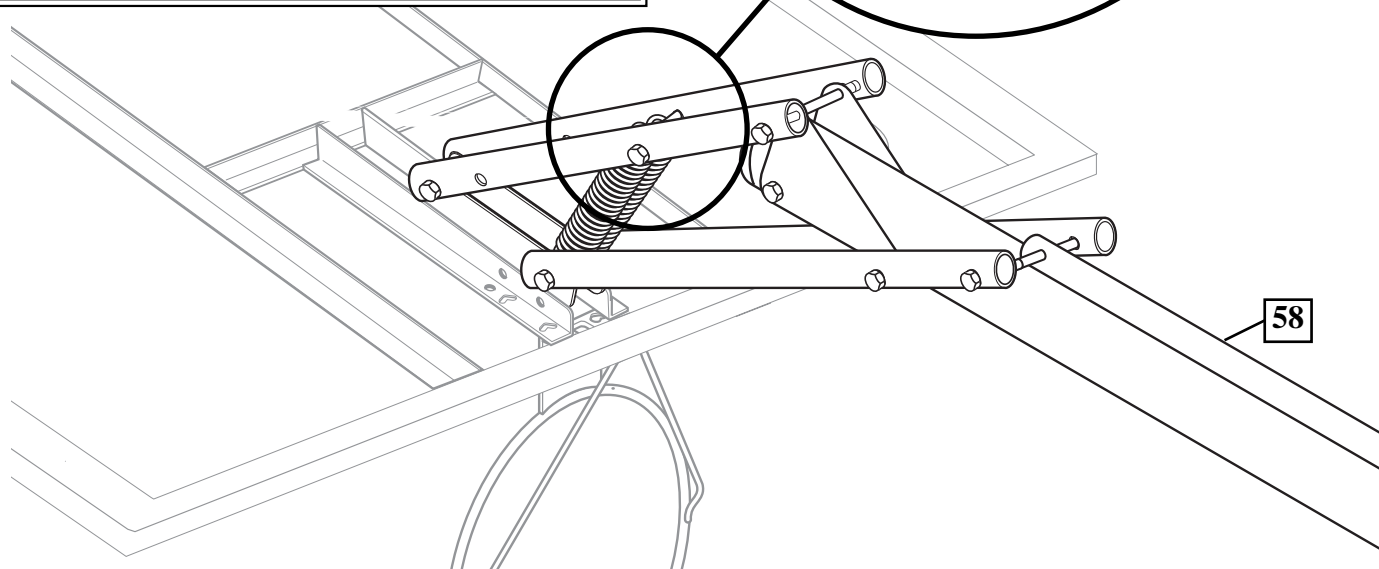
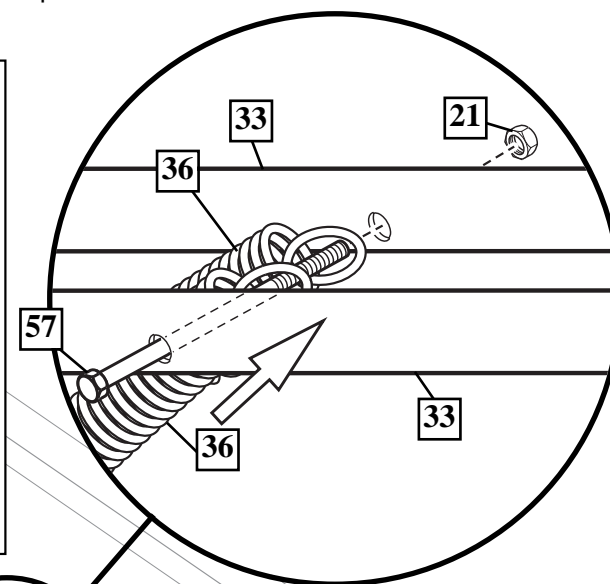
**REMARQUE:
HINWEIS:
NOTA:**

Décollez le film de protection de la surface du panneau en acrylique avant usage.

Vor Gebrauch die Schutzfolie von der Oberfläche der Akryl-Korbwand abziehen.

Desprenda la película protectora de la superficie del respaldo de acrílico antes de usarlo.

The diagram shows a hand peeling a blue protective film off a rectangular acrylic panel. The panel is shown in a perspective view, and the film is being lifted from one corner.



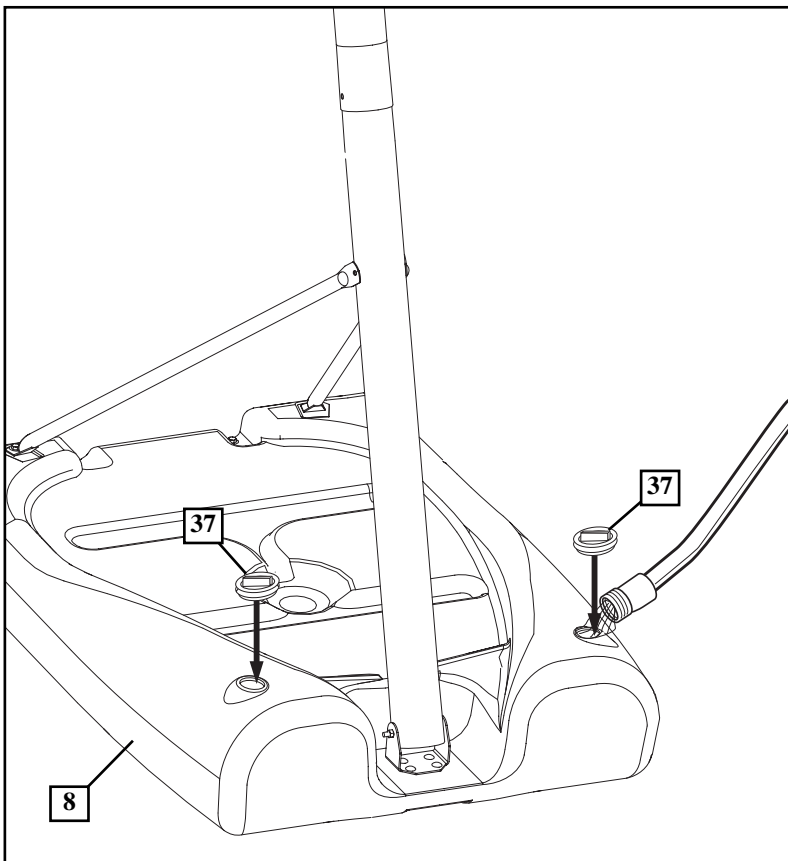
FIXATION DE L'APPAREIL SICHERN DES SYSTEMS FIJACIÓN DEL SISTEMA

15.

Roulez l'ensemble jusqu'à l'aire de jeu prévue. Remplissez le socle (8) d'eau (environ 150 litres) et posez les bouchons (37).

Den Aufbau an den gewünschten Spielort rollen. Boden sichern. Den Sockel mit Wasser (ca. 106 l [40 US-Gallonen]) füllen und die Deckel (37) auf die Füllstutzen aufschrauben lassen.

Ruede el conjunto completo al área de juego deseada. Llene la base (8) con agua (aproximadamente 40 galones) y conecte a presión las tapas de llenado (37) en su lugar.



AVERTISSEMENT ! WARNUNG! ¡ADVERTENCIA!

Il est obligatoire de s'y prendre à deux pour cette procédure. SUIVEZ CET AVERTISSEMENT SOUS PEINE D'ENCOURIR DES BLESSURES GRAVES ET/OU DES DÉGÂTS MATÉRIELS.

Dieses Schritt muss von zwei Personen ausgeführt werden. EIN MISSACHTEN DIESER WARNUNG KANN ZU SCHWEREN VERLETZUNGEN UND/ODER SACHSCHÄDEN FÜHREN.

Se requieren dos personas para realizar este procedimiento. SI NO SE OBSERVA ESTA ADVERTENCIA SE PODRÍA OCASIONAR UNA lesión GRAVE Y/O DAÑOS A LA PROPIEDAD.



AVERTISSEMENT ! WARNUNG! ¡ADVERTENCIA!

NE LAISSEZ PAS L'ENSEMBLE SANS SURVEILLANCE LORSQU'IL EST VIDE, CAR IL RISQUE DE BASCULER.

DIE VORRICHTUNG IM LEEREN ZUSTAND NICHT UNBEAUFICHTIGT LASSEN, DA SIE UMKIPPEN KÖNNTE.

NO DEJE EL CONJUNTO DESATENDIDO CUANDO ESTÉ VACÍO, YA QUE SE PUEDE LADEAR.



ATTENTION ! VORSICHT! ¡PRECAUCIÓN!

AJOUTEZ 7,6 LITRES (2 GALLONS) D'ANTIGEL NON TOXIQUE EN PRÉVISION DE TEMPÉRATURES EN DESSOUS DE 0.

DEN TANK MIT 7,6 L (2 GAL) EINES UNGIFTIGEN GEFRIERSCHUTZMITTELS FÜLLEN, UM IN KLIMAZONEN MIT FROSTTEMPERATUREN EIN GEFRIEREN ZU VERHINDERN.

AÑADA 7.6 LITROS (DOS GALONES) DE ANTICONGELANTE NO TÓXICO SI EL CLIMA ALCANZA TEMPERATURAS DE CONGELAMIENTO.



REMARQUE HINWEIS NOTA

SI VOUS UTILISEZ DU SABLE : L'UTILISATION DE 4 LITRES D'ANTIGEL EST INUTILE.

BEI VERWENDUNG VON SAND:
KEINE ZUSÄTZLICHEN 7,6 L (2 GAL)
GEFRIERSCHUTZMITTEL EINFÜLLEN.

SI SE USA ARENA:
NO SE REQUIERE EL USO DE ANTICONGELANTE

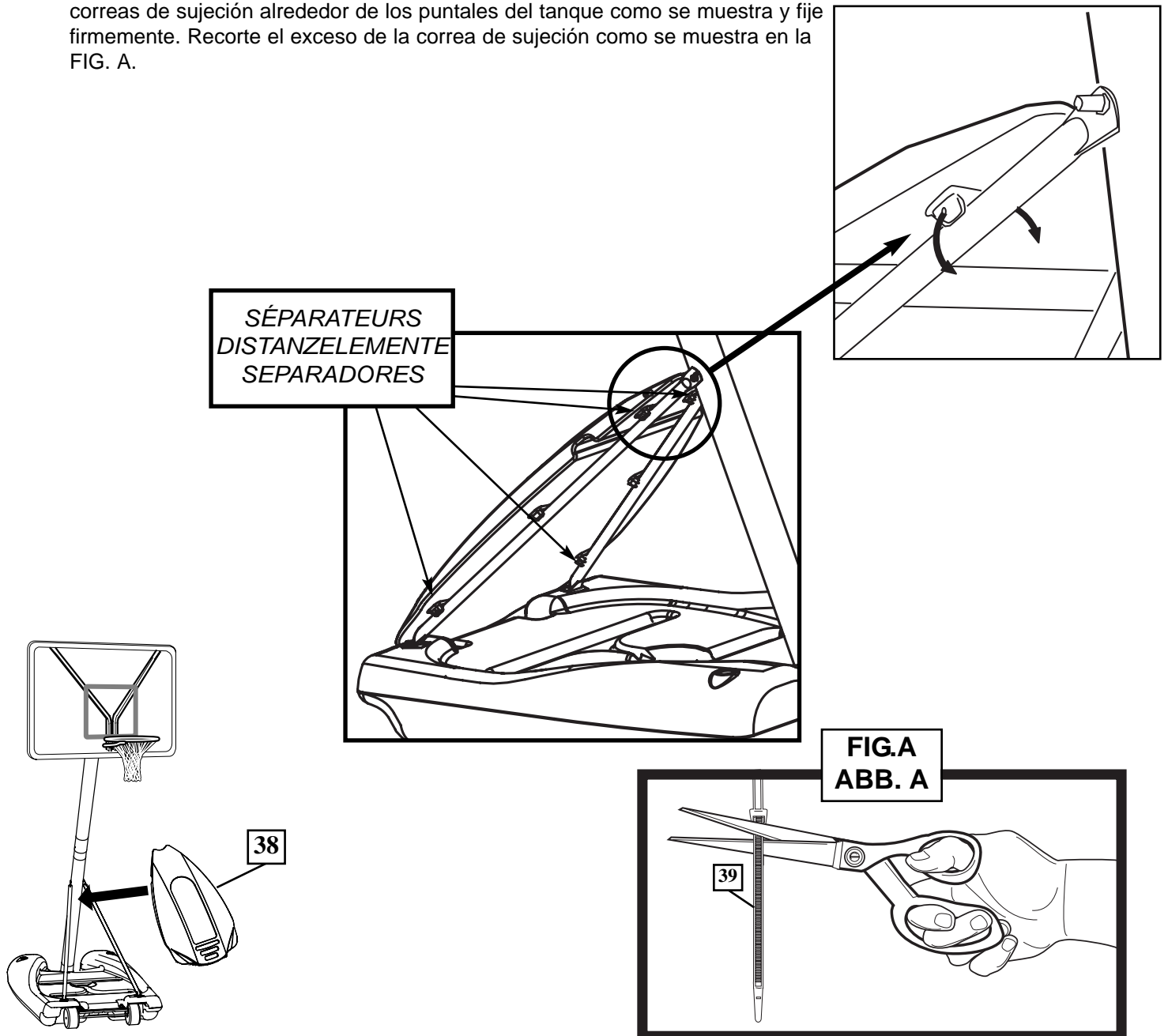


INSTALLATION DU PROTECTEUR AVANT FRONTABDECKUNG ANBRINGEN INSTALE LA CUBIERTA FRONTAL

16. Installez le protecteur avant (38) en alignant les séparateurs le long des contrefiches de réservoir. Insérez une attache (39) dans les deux séparateurs supérieurs et les deux séparateurs inférieurs. Fixez solidement les attaches autour des contrefiches de réservoir, de la façon illustrée. Coupez les sections d'attache qui dépassent, de la façon illustrée dans la figure A.

Zum Anbringen der Frontabdeckung (38) die Distanzelemente entlang den Tankverstreben ausrichten. Einen Halteriemen (39) durch die beiden oberen und die beiden unteren Distanzelemente schieben. Die Halteriemen wie gezeigt um die Tankverstreben wickeln und sichern. Die unbenötigte Länge der Halteriemen abschneiden (siehe Abb. A).

Instale la cubierta frontal (38) alineando los separadores a lo largo de los puntales del tanque. Introduzca una correa de sujeción (39) a través de los dos separadores superiores y de los dos separadores inferiores. Envuelva las correas de sujeción alrededor de los puntales del tanque como se muestra y fije firmemente. Recorte el exceso de la correa de sujeción como se muestra en la FIG. A.



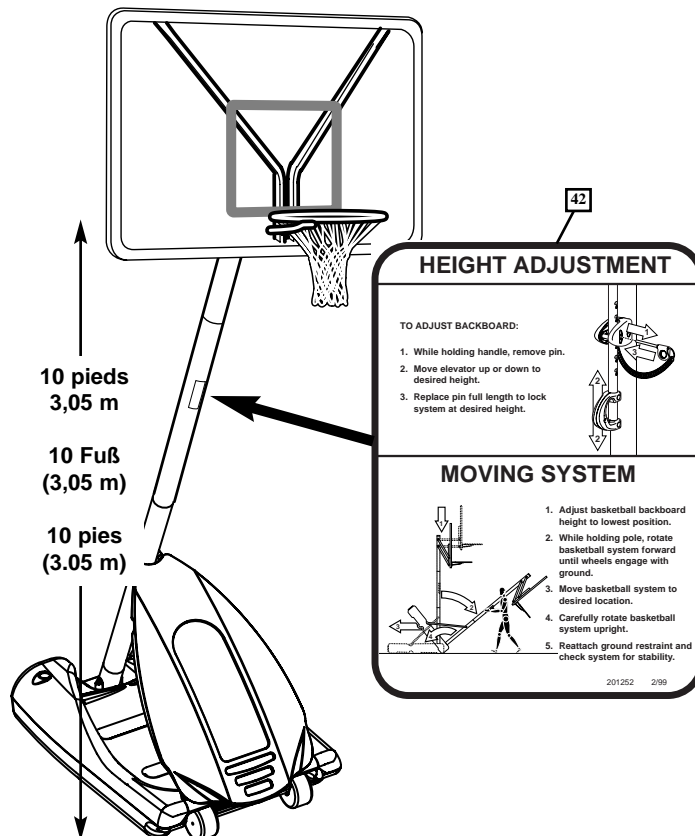
POSE DE L'ÉTIQUETTE DE HAUTEUR ET DE DÉPLACEMENT ANBRINGUNG DES HÖHENEINSTELL- UND TRANSPORTAUFKLEBERS APLICACIÓN DE LA ETIQUETA DE ALTURA Y MOVIMIENTO

1.

Posez l'étiquette de réglage de la hauteur et de déplacement (42) sur l'avant du poteau, à un endroit bien visible.

Den Höheneinstell- und Transportaufkleber (42) gut sichtbar an der Vorderseite der Stange anbringen.

Aplique la etiqueta de ajuste de la altura y movimiento (42) en la parte frontal del poste, en donde quede claramente visible.



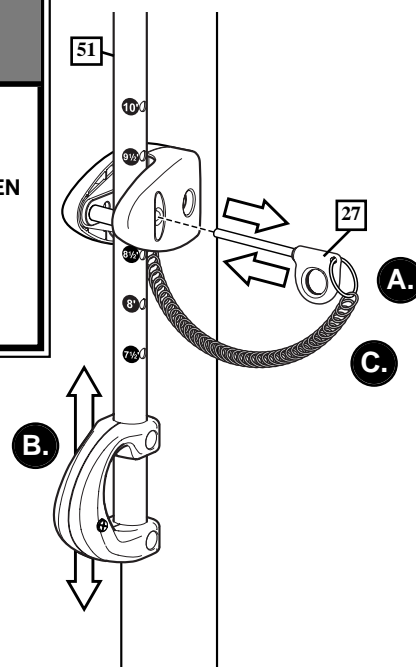
RÉGLAGE DE LA HAUTEUR HÖHENVERSTELLUNG AJUSTE DE LA ALTURA

2.

- A. Tenez la poignée et retirez la goupille (27).
- B. Montez ou abaissez le dispositif élévateur jusqu'à la hauteur voulue.
- C. Remettez la goupille (27) en place pour verrouiller l'appareil à la hauteur voulue.

- A. Bei festgehaltenem Griff den Stift (27) herausziehen.
- B. Die Verlängerungsvorrichtung bis zur gewünschten Höhe nach oben oder unten verschieben.
- C. Den Stift (27) zum Verriegeln des Systems auf der gewünschten Höhe ganz hineinschieben.

- A. Mientras sujeta la manija, quite el pasador (27).
- B. Mueva el elevador hacia arriba o hacia abajo a la altura deseada.
- C. Vuelva a colocar el pasador (27) a toda su longitud para fijar el sistema a la altura deseada.



Free Manuals Download Website

<http://myh66.com>

<http://usermanuals.us>

<http://www.somanuals.com>

<http://www.4manuals.cc>

<http://www.manual-lib.com>

<http://www.404manual.com>

<http://www.luxmanual.com>

<http://aubethermostatmanual.com>

Golf course search by state

<http://golfingnear.com>

Email search by domain

<http://emailbydomain.com>

Auto manuals search

<http://auto.somanuals.com>

TV manuals search

<http://tv.somanuals.com>