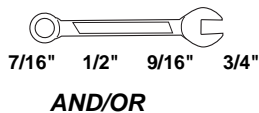


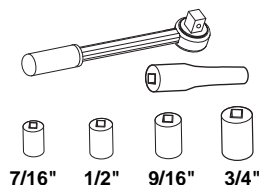
**REQUIRED TOOLS
AND MATERIALS:**

-  • 2 People
-  • Tape Measure
-  • Wood Board (scrap)
-  • Sawhorse or Support Table
-  • Tape
-  • Safety Glasses
-  • #3 Phillips Screwdriver
-  • Needle-Nose Pliers

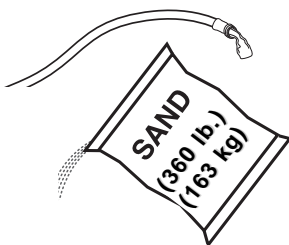
• (2 each) Wrenches



• Socket Wrenches and Sockets (Deep-Well Sockets are Recommended).



• Garden Hose or Sand

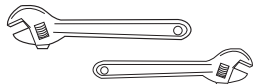


• Step Ladder 8ft. (2.4 m)



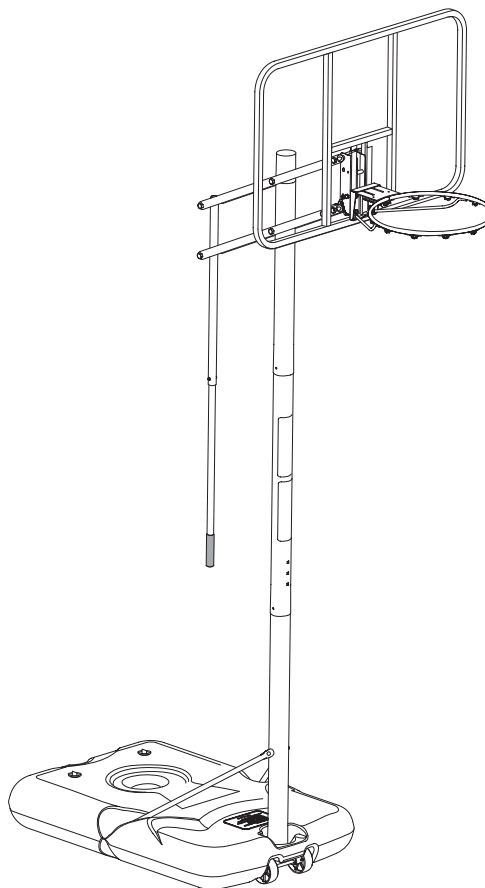
**OPTIONAL TOOLS
AND MATERIALS:**


• Large & Small Adjustable Wrenches



Portable System Owners Manual

Customer Service Center
• N53 W24700 South Corporate Circle • Sussex, WI 53089 • U.S.A.





! WARNING!

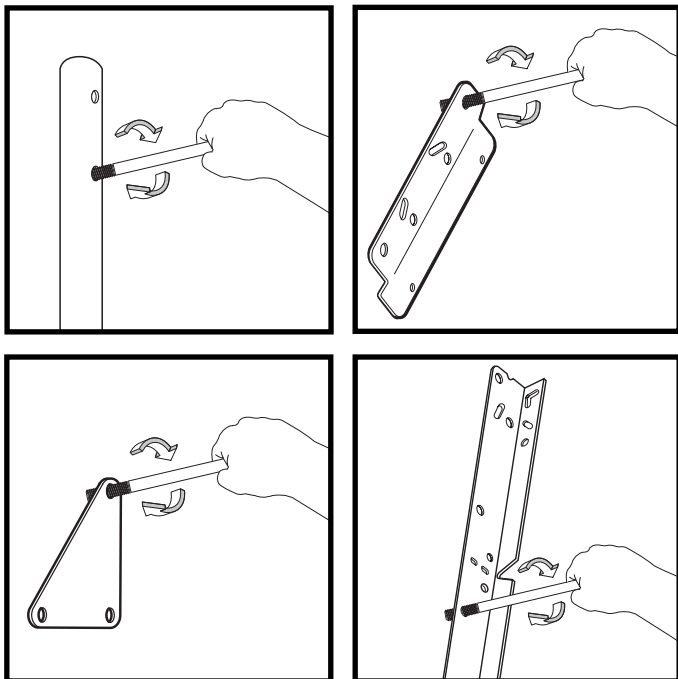
READ AND UNDERSTAND OPERATOR'S MANUAL BEFORE USING THIS UNIT.

FAILURE TO FOLLOW OPERATING INSTRUCTIONS COULD RESULT IN INJURY OR DAMAGE TO PROPERTY.

**Write Model Number
From Box Here:**

Toll-Free Customer Service Number for U.S: 1-800-558-5234,
For Canada: 1-800-284-8339,
For Europe: 00 800 555 85234 (Sweden: 009 555 85234),
For Australia: 1-800-632 7921
Internet Address: <http://www.huffysports.com>

BEFORE YOU START!



To ensure optimal playability of backboard system, a close tolerance fit between the elevator components and hardware is required. Test-fit large bolts into large holes of elevator tubes, backboard brackets, and triangle plates. Carefully rock them in a circular motion to ream out any excess paint from holes if necessary.

Not all items pictured are included with every model.



WARNING

Read and understand warnings listed below before using this product.

Failure to follow these warnings may result in serious injury and/or property damage.

Owner must ensure that all players know and follow these rules for safe operation of the system.

- **DO NOT HANG** on the rim or any part of the system including backboard, support braces or net.
- During play, especially when performing dunk type activities, keep player's face away from the backboard, rim and net. Serious injury could occur if teeth/face come in contact with backboard, rim or net.
- Do not slide, climb, shake or play on base and/or pole.
- After assembly is complete, fill system completely with water or sand. Never leave system in an upright position without filling base with weight, as system may tip over causing injuries.
- When adjusting height or moving system, keep hands and fingers away from moving parts.
- Do not allow children to move or adjust system.
- During play, do not wear jewelry (rings, watches, necklaces, etc.). Objects may entangle in net.
- Surface beneath the base must be smooth and free of gravel or other sharp objects. Punctures cause leakage and could cause system to tip over.
- Keep organic material away from pole base. Grass, litter, etc. could cause corrosion and/or deterioration.
- Check pole system for signs of corrosion (rust, pitting, chipping) and repaint with exterior enamel paint. If rust has penetrated through the steel anywhere, replace pole immediately.
- Check system before each use for proper ballast, loose hardware, excessive wear and signs of corrosion and repair before use.
- Check system before each use for instability.
- Do not use system during windy and/or severe weather conditions; system may tip over. Place system in the storage position and/or in an area protected from the wind and free from personal property and/or overhead wires.
- Never play on damaged equipment.
- When moving system, use caution to keep mechanism from shifting.
- Keep pole top covered with cap at all times.
- Do not allow water in tank to freeze. During sub-freezing weather add 2 gallons of non-toxic antifreeze, sand or empty tank completely and store. (Do not use salt.)
- While moving system, do not allow anyone to stand or sit on base or have added ballasting on base.
- Do not leave system unsupervised or play on system when wheels are engaged for moving.
- Use Caution when moving system across uneven surfaces. System may tip over.
- Use extreme caution if placing system on sloped surface. System may tip over more easily.
- See instruction manual for proper installation and maintenance.

SPALDING
In the U.S.: 1-800-772-5346

HYDRA-RIB
In the U.S.: 1-800-334-9111

RUSSELL
ATHLETIC

SURE SHOT
In the U.S.: 1-888-713-5488

HUFFY SPORTS
In the U.S.: 1-800-558-5234
Canada: 1-800-284-8339

ID#: 556790 05/05

HEIGHT ADJUSTMENT

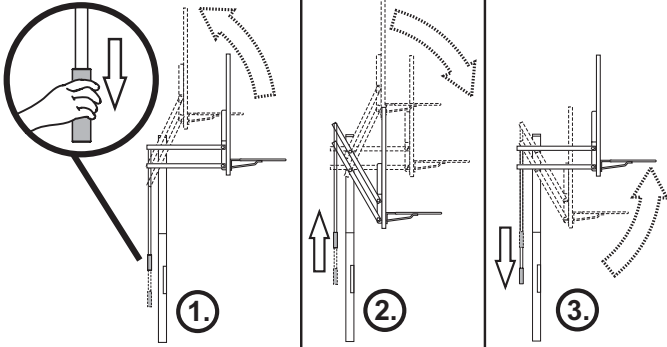


READ BEFORE
OPERATING
ELEVATOR
SYSTEM



CAUTION!
DO NOT LET GO OF HANDLE
UNTIL THE RIM IS RESET AT
LOWEST POSITION OR
DESIRED HEIGHT.

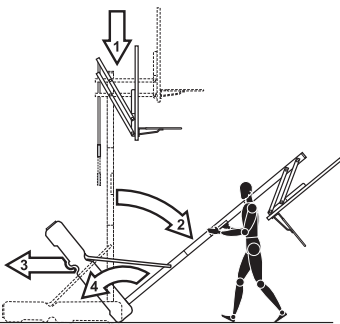
FAILURE TO FOLLOW THIS
WARNING COULD RESULT
IN SERIOUS INJURY AND/OR
PROPERTY DAMAGE.



TO RESET OR REPOSITION BACKBOARD:

1. Grasp handle firmly and pull down to raise rim PAST highest position (above 10 feet).
2. While still holding handle firmly, CAREFULLY lower rim to lowest position.
3. Raise to desired height by pulling down on handle.

MOVING SYSTEM



1. Adjust basketball backboard height to lowest position.
2. While holding pole, rotate basketball system forward until wheels engage with ground.
3. Move basketball system to desired location.
4. Carefully rotate basketball system upright.
5. Check system for stability.

522730 06/05

25

SAFETY INSTRUCTIONS

FAILURE TO FOLLOW THESE SAFETY INSTRUCTIONS MAY RESULT IN SERIOUS INJURY, PROPERTY DAMAGE AND WILL VOID WARRANTY.

Owner must ensure that all players know and follow these rules for safe operation of the system.

To ensure safety, do not attempt to assemble this system without following the instructions carefully. Proper and complete assembly, use and supervision is essential for proper operation and to reduce the risk of accident or injury. A high probability of serious injury exists if this system is not installed, maintained, and operated properly. Check entire box and inside all packing material for parts and/or additional instructional material. Before beginning assembly, read the instructions and identify parts using the hardware identifier and parts list in this document.

- If using a ladder during assembly, use extreme caution.
- Two (2) capable adults are recommended for this operation.
- Check base regularly for leakage. Slow leaks could cause system to tip over unexpectedly.
- Seat the pole sections properly (if applicable). Failure to do so could allow the pole sections to separate during play and/or transport of the system.
- Climate, corrosion, or misuse could result in system failure.
- Minimum operational height is 6' 6" (1.98 m) to the bottom of backboard.
- This equipment is intended for home recreational use only and NOT excessive competitive play.
- Read and understand the warning label affixed to pole.
- The life of your basketball pole depends on many conditions. The climate, placement of the pole, location of the pole, exposure to corrosives such as pesticides, herbicides, or salts are all important.
- If technical assistance is required, contact Customer Service.
- Adult supervision is recommended when adjusting height.

Most injuries are caused by misuse and/or not following instructions.

Use caution when using this system.



Questions or Missing Parts?

DON'T go back to store!

Call TOLL-FREE Customer Service
Number listed on the front page!

NOTICE TO ASSEMBLERS

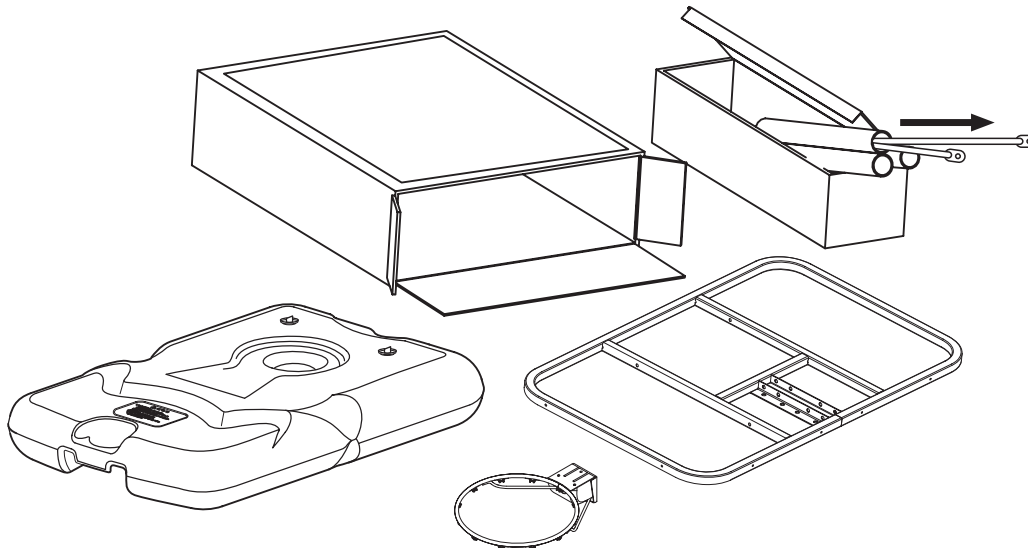
Adult Assembly Required. Dispose of ALL packaging materials promptly. As with all products, periodically inspect for loose small parts.

ALL basketball systems, including those used for DISPLAYS, MUST be assembled and installed according to instructions. Failure to follow instructions could result in SERIOUS INJURY. It is NOT acceptable to devise a makeshift support system.

WARNING: IF YOUR SYSTEM IS EQUIPPED WITH AN ACRYLIC BACKBOARD, EXAMINE BACKBOARD FOR ANY DAMAGE THAT MAY HAVE OCCURRED DURING SHIPMENT. CRACKS IN THE BACKBOARD COULD RESULT IN SUDDEN BREAKAGE. IF BACKBOARD IS DAMAGED IN ANY WAY PRIOR TO OR AFTER ASSEMBLY, CALL TOLL-FREE NUMBER:
U.S. 1-800-558-5234; CANADA: 1-800-284-8339; <http://www.huffysports.com>

IMPORTANT!

**Remove all contents from boxes.
Be sure to check inside pole sections;
hardware and additional parts are packed inside.**

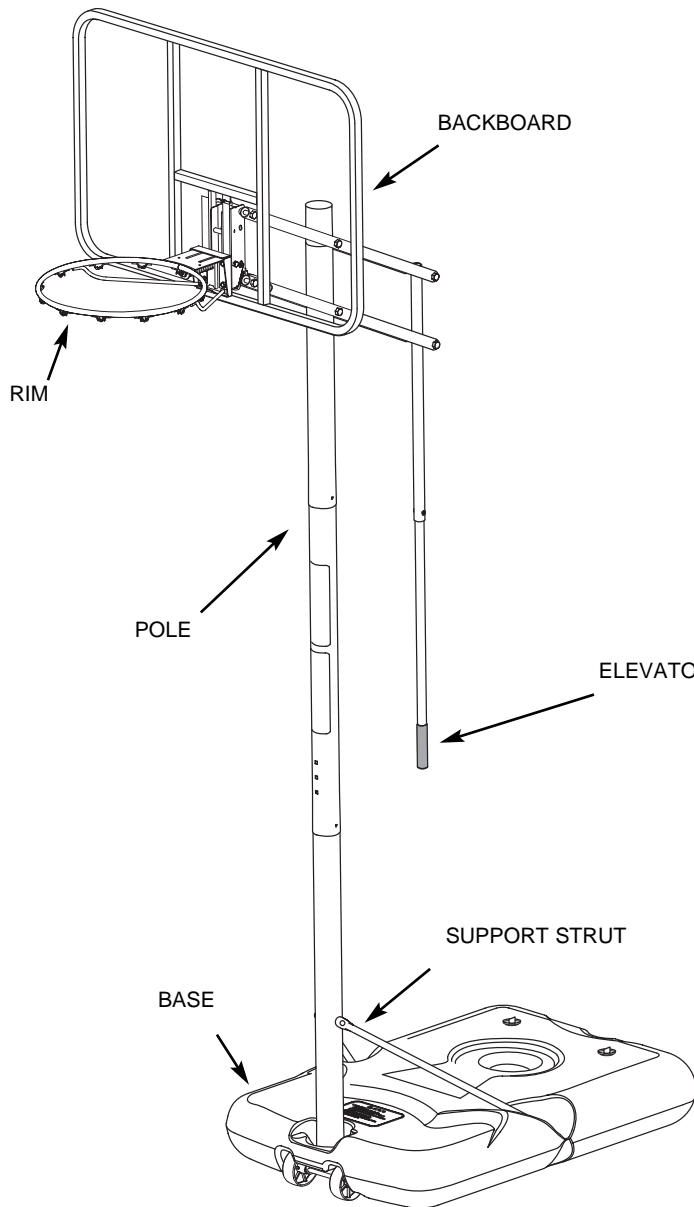


PRODUCT REGISTRATION:

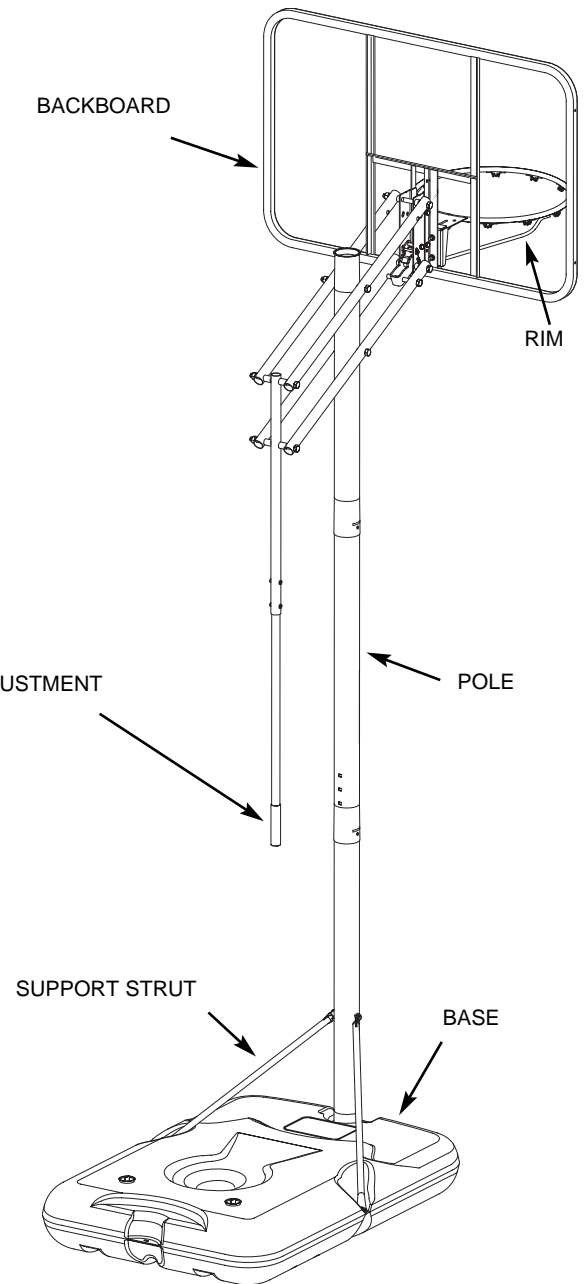
Please remember to complete your product registration form on-line at:
www.huffysports.com/customer_support/product_registration.

Get to know the basic parts of your basketball system...

FRONT VIEW



BACK VIEW



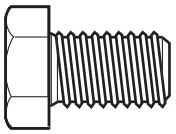
PARTS LIST - See Hardware Identifier

<input checked="" type="checkbox"/> Item	Qty.	Part No.	Description	<input checked="" type="checkbox"/> Item	Qty.	Part No.	Description
<input type="checkbox"/> 1	1	206657	Tank, (Black)	<input type="checkbox"/> 25	1	522730	Label, Height Adjustment and Moving
<input type="checkbox"/> 2	1	200628	Wheel Axle	<input type="checkbox"/> 26	1		Net
<input type="checkbox"/> 3	2	226401	Wheel, 4" (Black)	<input type="checkbox"/> 27	1	201160	Pawl Lever
<input type="checkbox"/> 4	1	908242	Top Pole Section	<input type="checkbox"/> 28	1	801159	Ratchet
<input type="checkbox"/> 5	1	908246	Middle Pole Section	<input type="checkbox"/> 29	2	900964	Backboard Bracket
<input type="checkbox"/> 6	1	908247	Bottom Pole Section	<input type="checkbox"/> 30	1	203472	Spring, Black, Slam Jam
<input type="checkbox"/> 7	1	202820	Rod, 3/8 O.D. x 4-3/4 Long	<input type="checkbox"/> 31	1	200318	Bracket, Reinforcement, Slam Jam
<input type="checkbox"/> 8	1	202822	Eyebolt, 3/8-16 x 2-1/2 Long	<input type="checkbox"/> 32	1	900033	Bracket Slam Jam
<input type="checkbox"/> 9	6	203063	Lock Nut, 3/8-16	<input type="checkbox"/> 33	4	202587	Spacer .520 I.D. x .750 O.D. x 1.0 Long
<input type="checkbox"/> 10	2	906206	Tank Strut	<input type="checkbox"/> 34	1	206305	Clevis Pin 1/4 x 2-3/8 Long
<input type="checkbox"/> 11	1	201625	Bolt, Yellow Dichromate, 5/16-18 X 3.60 Long	<input type="checkbox"/> 35	1*	206360	Bolt, Hex 3/8-16 x 2.65 Long
<input type="checkbox"/> 12	6	203218	Washer, Flat, 5/16	<input type="checkbox"/> 36	1	203796	T-Bolt, 3/8-16 x 5 Long
<input type="checkbox"/> 13	1	203099	Lock Nut, 5/16-18	<input type="checkbox"/> 37	1	203470	Washer Flat, Slam Jam
<input type="checkbox"/> 14	4	204961	Bolt, Hex Head, 3/8-16 x 0.625 Long	<input type="checkbox"/> 38	7	206340	Lock Nut 1/2-13
<input type="checkbox"/> 15	6	205528	Bolt, Hex Flange, 5/16-18 x 1 Long	<input type="checkbox"/> 39	1	203795	Nut, Special, Slam Jam
<input type="checkbox"/> 16	6*	203100	Nut, Hex Flange, 5/16-18	<input type="checkbox"/> 40	1	201125	Spring, Ratchet Return
<input type="checkbox"/> 17	4	201651	Spacer .500 I.D. x .25 Long	<input type="checkbox"/> 41	4	206311	Spacer .520 I.D. x .750 O.D. x .50 Long
<input type="checkbox"/> 18	2	206303	Washer 1/4 Flat	<input type="checkbox"/> 42	7	206304	Bolt 1/2-13 x 6-5/16 Long
<input type="checkbox"/> 19	1	200627	Wheel Bracket	<input type="checkbox"/> 43	4	908178	Elevator Tubes
<input type="checkbox"/> 20	2	204558	Screw, Phillips, 1/4 x .375 Long, Type 25	<input type="checkbox"/> 44	1*	201129	Spacer .402 I.D. x .500 O.D. x 1.8 Long
<input type="checkbox"/> 21	1		Rim	<input type="checkbox"/> 45	1	201642	Spacer Plastic, .63 Long
<input type="checkbox"/> 22	1	206219	Cap, Pole Top 3"	<input type="checkbox"/> 46	1	281159	Handle
<input type="checkbox"/> 23	1	202603	Washer, Nylon	<input type="checkbox"/> 47	1	908176	Tube, Handle, Outer
<input type="checkbox"/> 24	2	203617	Plug Cap	<input type="checkbox"/> 48	1	908177	Tube, Handle, Inner

* You many have extra parts with this model.

NOTE: Hardware kit is designed for more than one style of basketball system.
Not all hardware will be used.

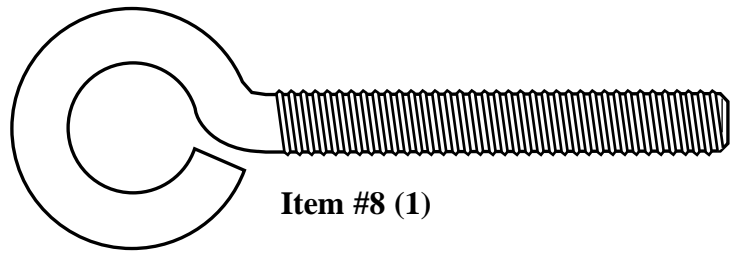
HARDWARE IDENTIFIER (BOLTS & PINS)



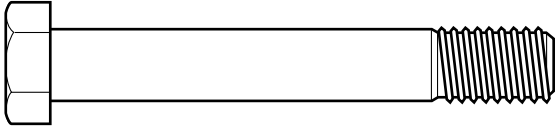
Item #14 (4)



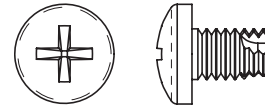
Item #15 (6)



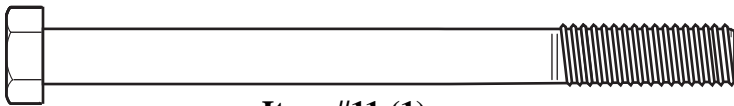
Item #8 (1)



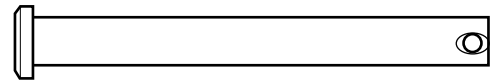
Item #35 (1*)



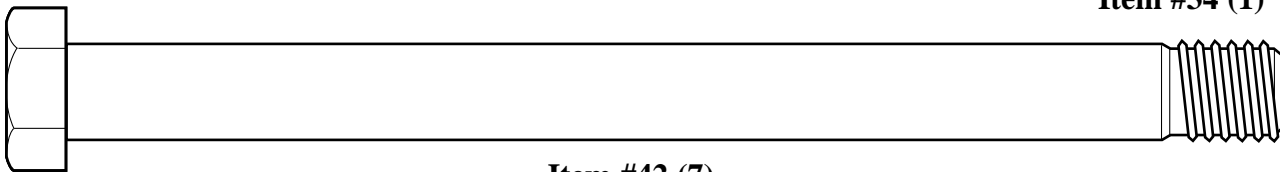
Item #20 (2)



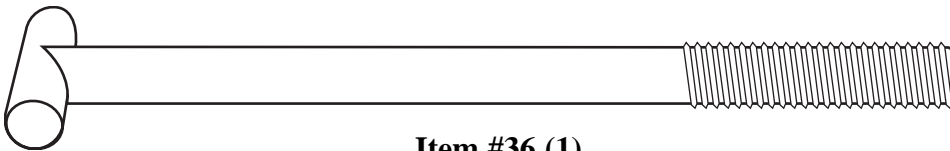
Item #11 (1)



Item #34 (1)

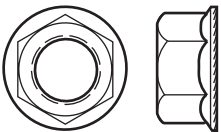


Item #42 (7)

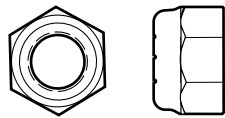


Item #36 (1)

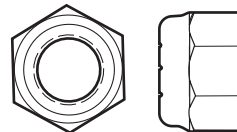
HARDWARE IDENTIFIER (NUTS & WASHERS)



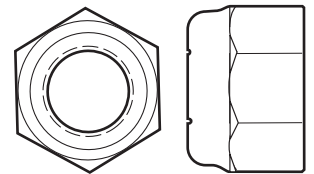
Item #16 (6*)



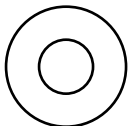
Item #13 (1)



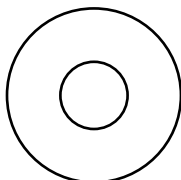
Item #9 (1)



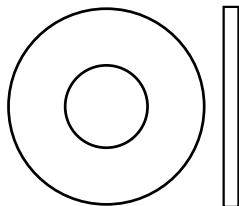
Item #38 (7)



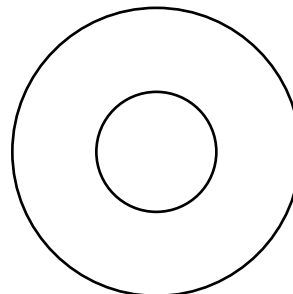
Item #18 (2)



Item #12 (6)



Item #23 (1)



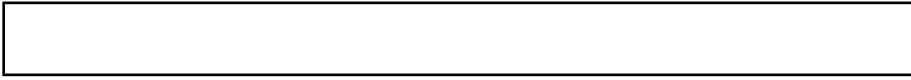
Item #37 (1)



Item #39 (1)

* You may have extra parts with this model.

HARDWARE IDENTIFIER (STEEL SPACERS & RODS)

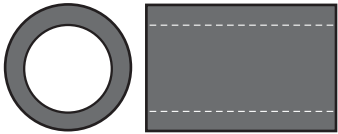


Item #7 (1)

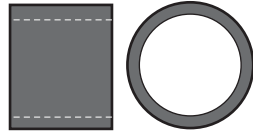


Item #44 (1*)

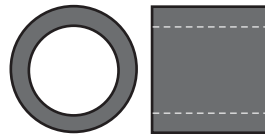
HARDWARE IDENTIFIER (PLASTIC SPACERS & CLIPS)



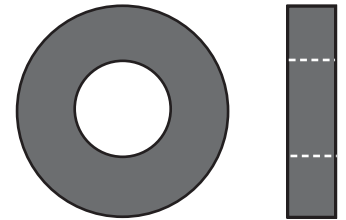
Item #33 (4)



Item #41 (4)

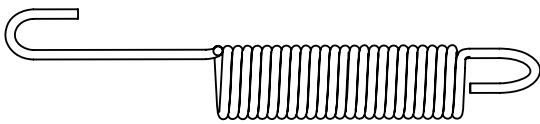


Item #45 (1)

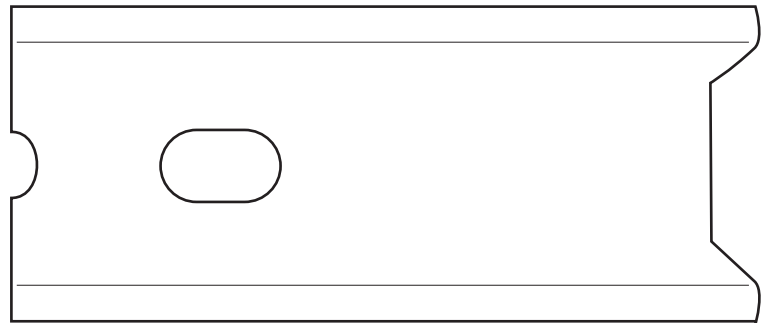


Item #17 (4)

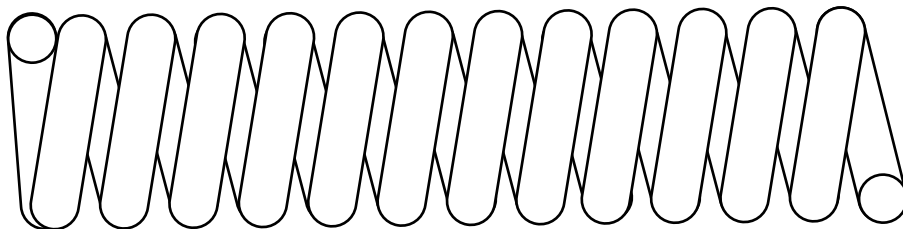
HARDWARE IDENTIFIER (OTHER)



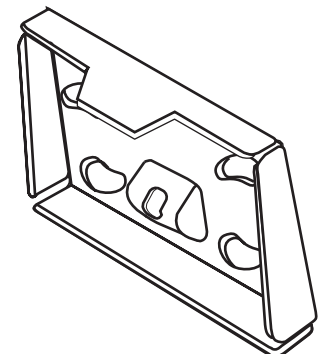
Item #40 (1)



Item #31 (1)



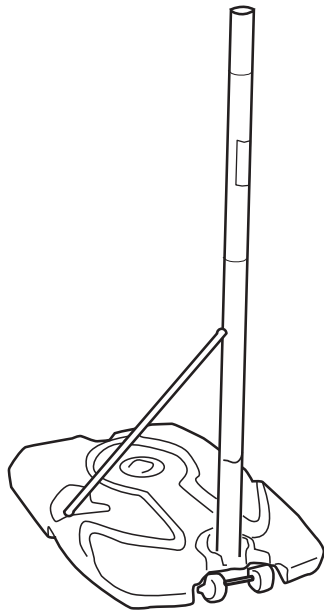
Item #30 (1)



Item #32 (1)

SECTION A: ASSEMBLE THE BASE

This is what your system will look like when you've finished this section.



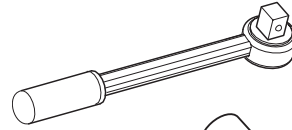
ITEMS REQUIRED FOR THIS SECTION

(2) 1/2" and (2) 9/16" Wrenches



AND/OR

(2) Socket Wrenches and Sockets



1/2"

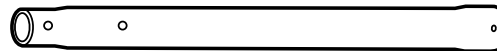


9/16"

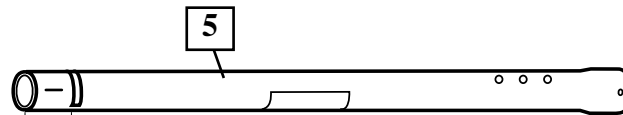
Tape



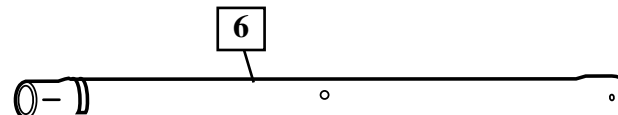
1. Correctly identify each pole section and mark indicated distance from ends with tape as shown.



4 TOP POLE 31"



5
5"
(13 cm) MIDDLE POLE 43"



6
5"
(13 cm) BOTTOM POLE 43"

2.

While maintaining alignment, bounce middle pole section (5) into top section (4) using a wood scrap as shown until the top pole no longer moves toward the pole identification sticker on the middle pole.

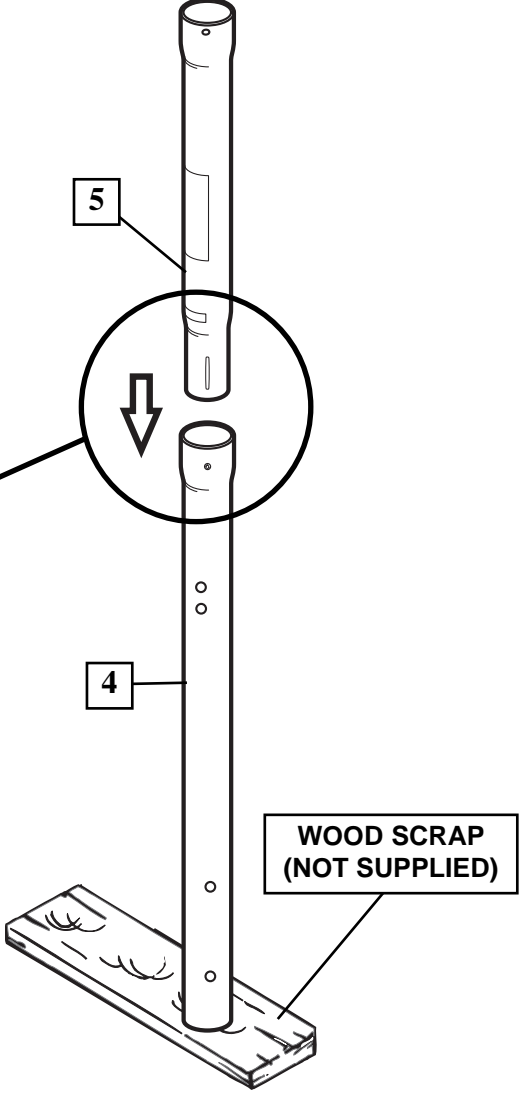
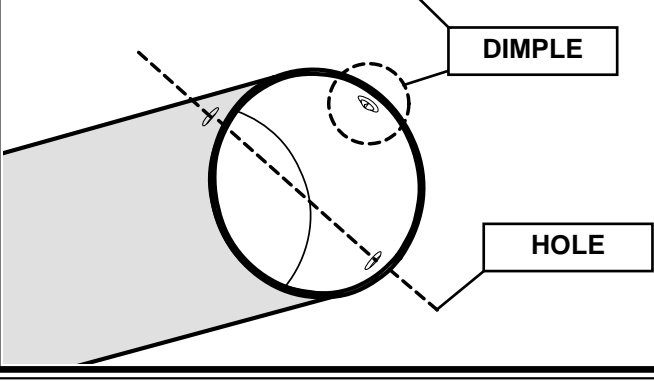
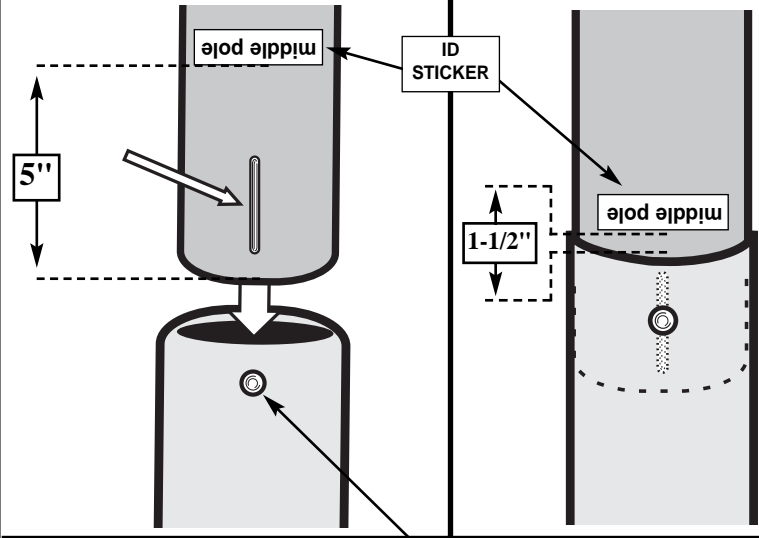


CAUTION!

THE IDENTIFICATION STICKER IS LOCATED 5" FROM THE END OF THE POLE. WHEN PROPERLY POUNDED TOGETHER, THE POLE SECTIONS SHOULD HAVE A 3-1/2" MINIMUM OVERLAP, LEAVING 1-1/2" BETWEEN THE OVERLAPPING POLE AND THE IDENTIFICATION STICKER.

IMPORTANT!

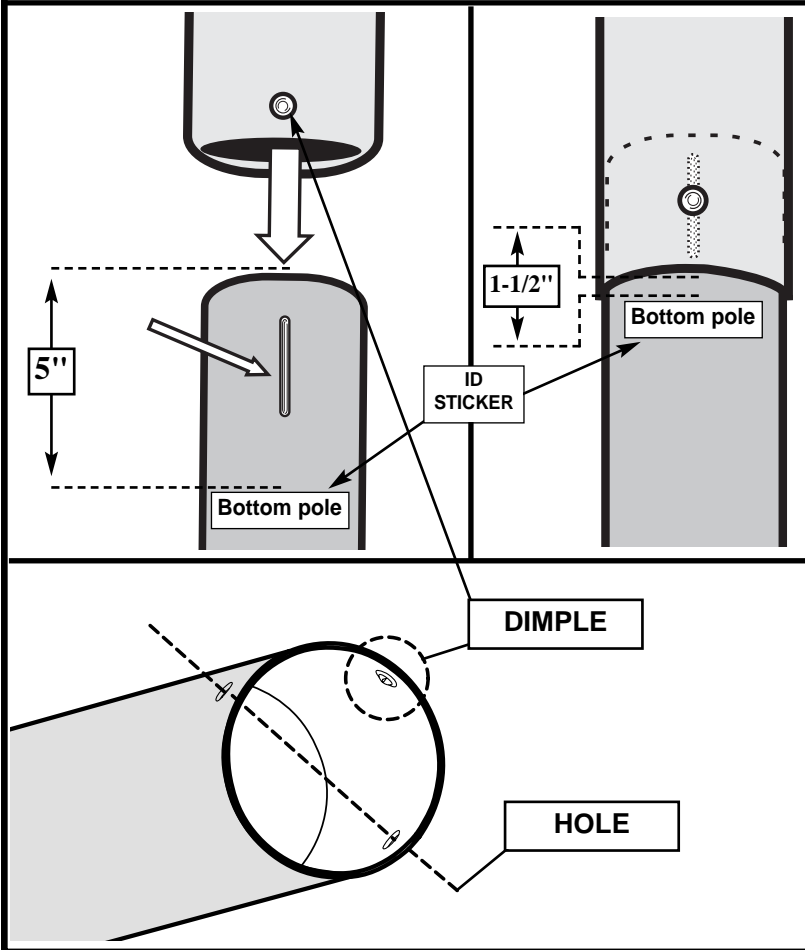
Align dimple of top pole section (4) into trough of middle pole section (5) as shown.



- 3.** Bounce top and middle pole assembly (4 and 5) onto bottom pole section (6) using a wood scrap as shown. Bounce until the top and middle pole assembly no longer moves toward the pole identification mark on the bottom pole.

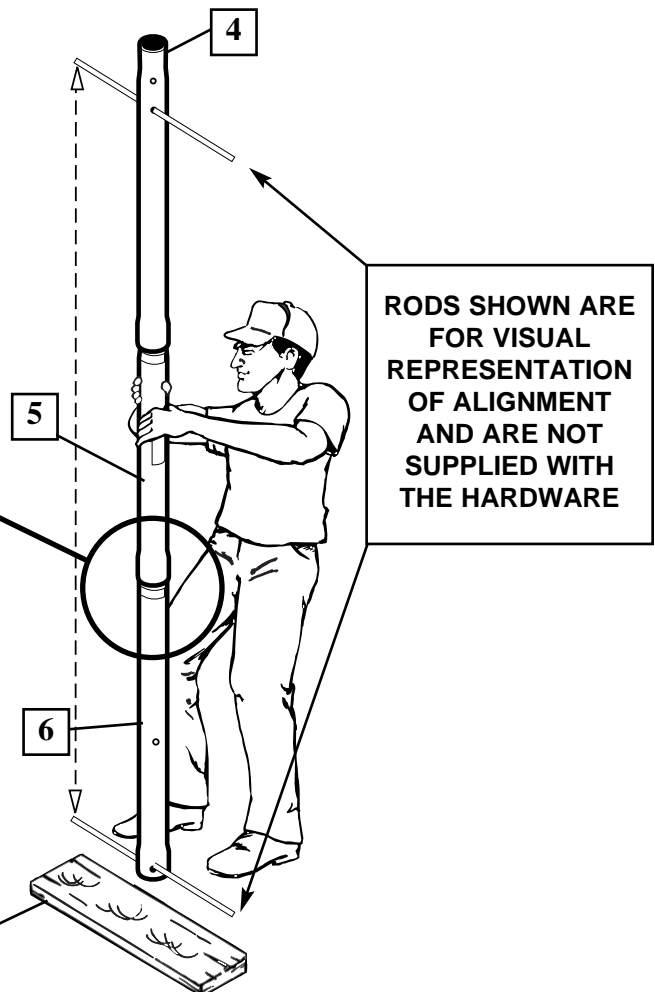
IMPORTANT!

Align dimple of middle pole section (5) into trough of bottom pole section (6) as shown.

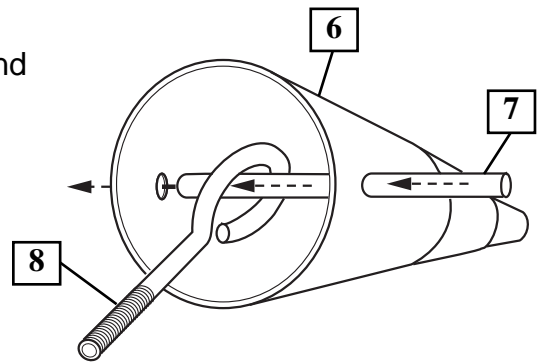


CAUTION!

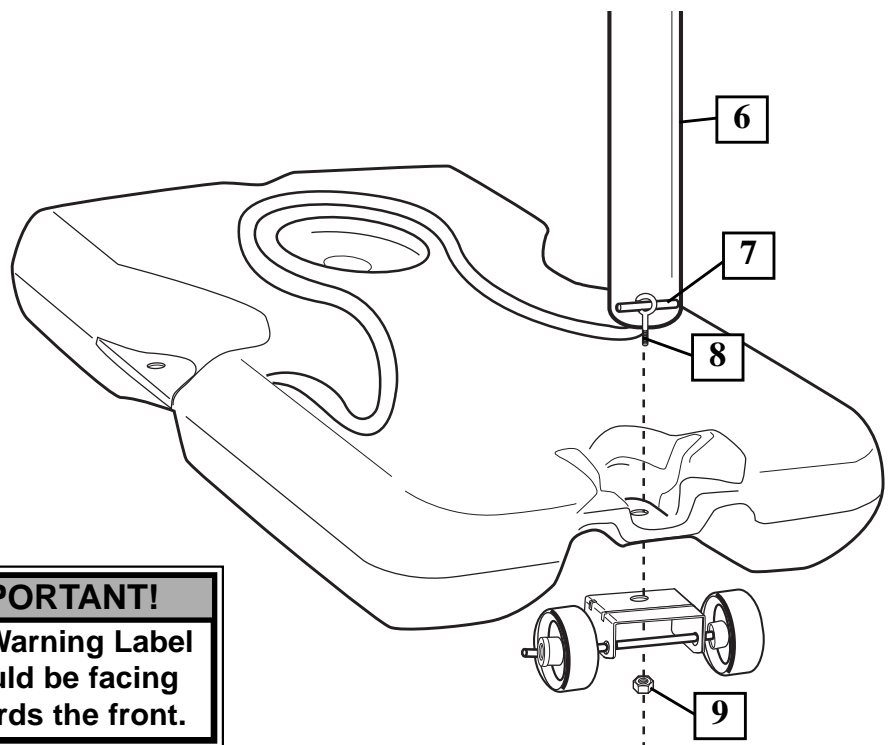
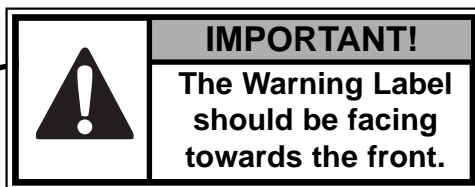
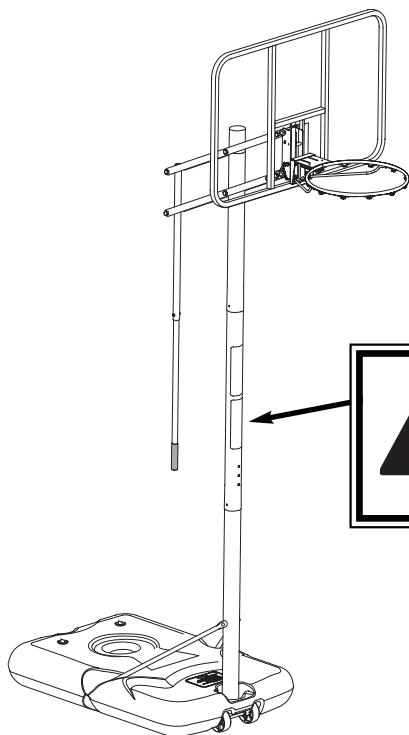
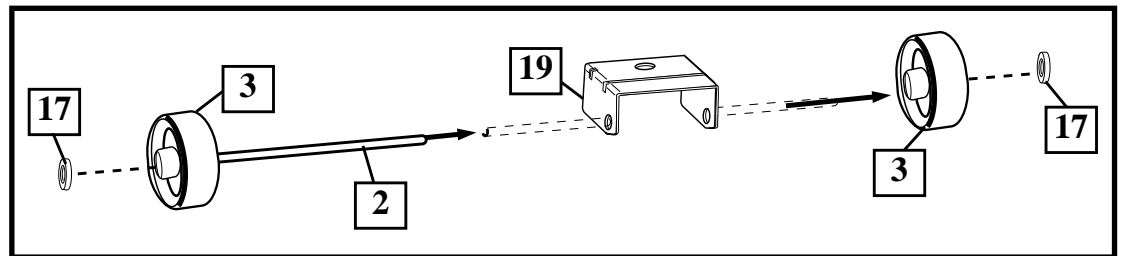
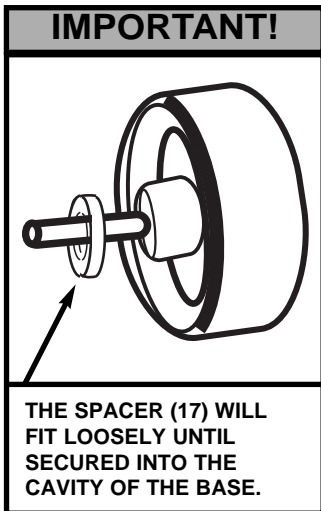
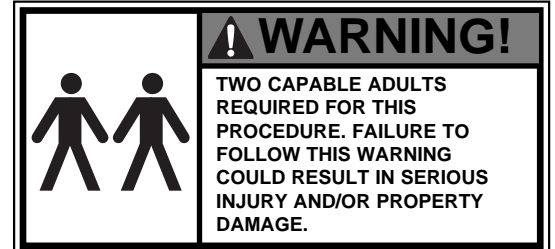
THE IDENTIFICATION STICKER IS LOCATED 5" FROM THE END OF THE POLE. WHEN PROPERLY POUNDED TOGETHER, THE POLE SECTIONS SHOULD HAVE A 3-1/2" MINIMUM OVERLAP, LEAVING 1-1/2" BETWEEN THE OVERLAPPING POLE AND THE IDENTIFICATION STICKER.



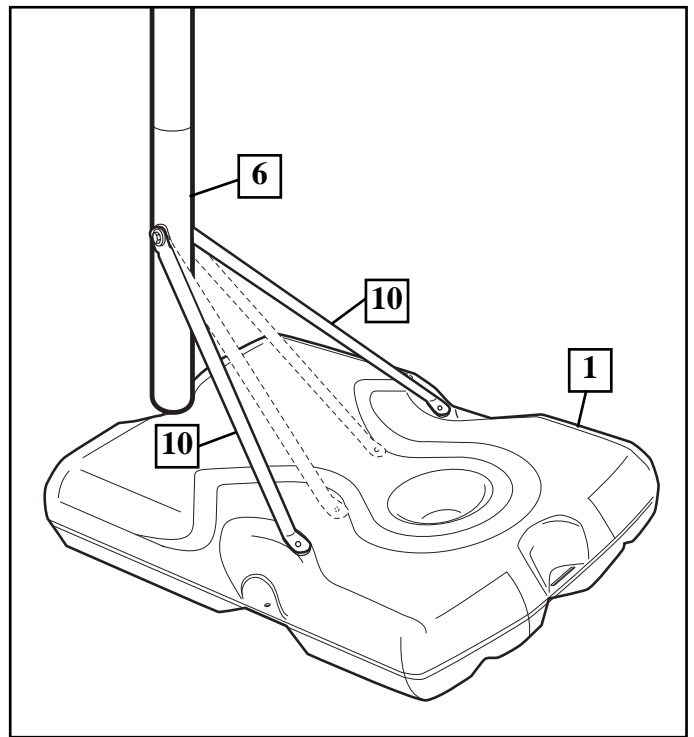
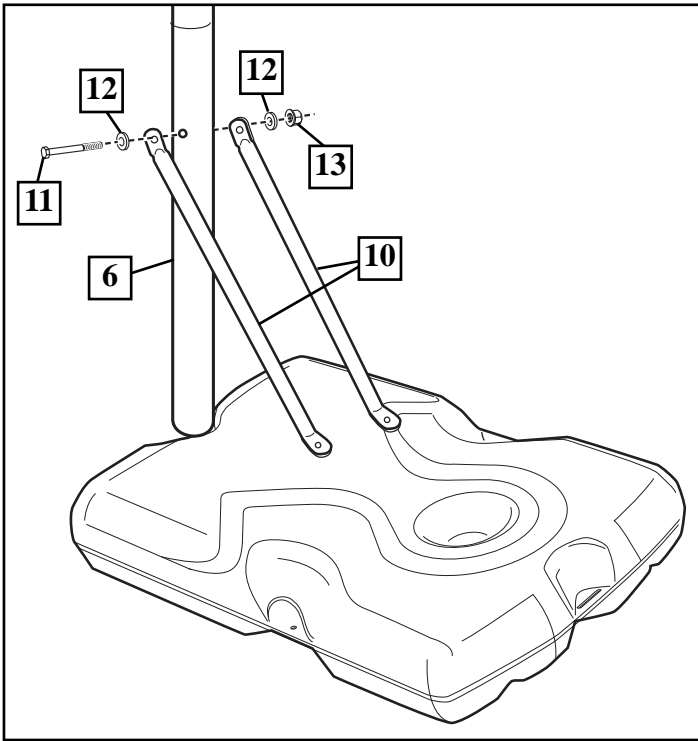
- 4.** Install rod (7) through holes in bottom pole section (6) and eyebolt (8).



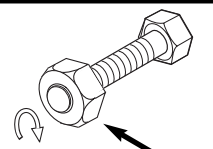
- 5.** Install wheel axle (2) through wheel carriage (19) and install wheels (3) onto wheel axle (2) with spacers (17) as shown. Insert pole assembly into tank assembly as shown. Secure bottom pole (6) section to tank and wheel carriage as shown. A deep socket is recommended.



- 6.** Secure base struts (10) to pole using bolt (11), washers (12), and nut (13), as shown. Rotate the non-secured ends of base struts (10) as shown.



- 7.** Secure both base struts (10) to base using bolts (15), washers (12), and nuts (16).

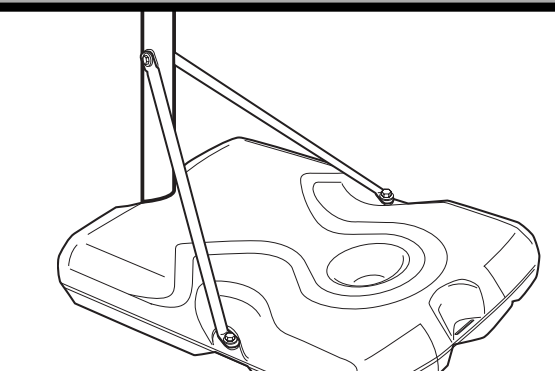


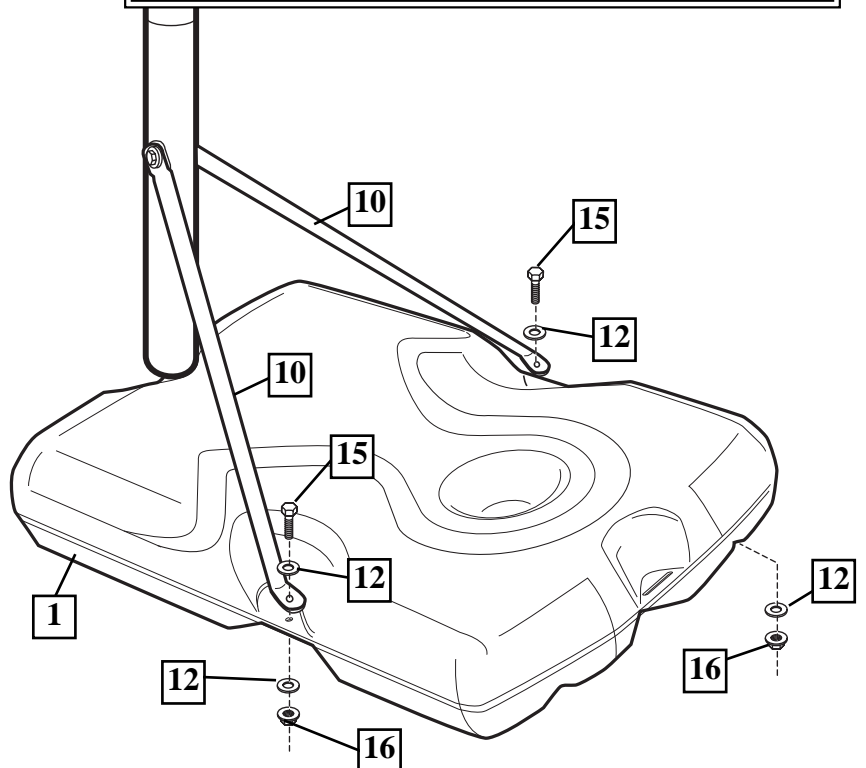
WARNING!

TIGHTEN BOLT (11) IN LOCK NUT (13) UNTIL FLUSH (EVEN) WITH LOCK NUT'S OUTER EDGE.

NOTE:

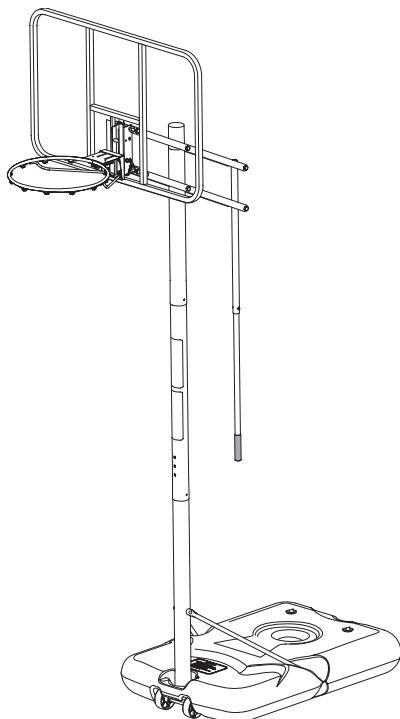
ORIENTATION OF STRUTS





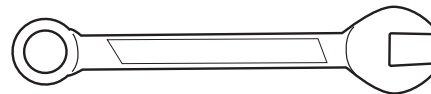
SECTION B: ATTACH THE BACKBOARD

This is what your system will look like when you've finished this section.



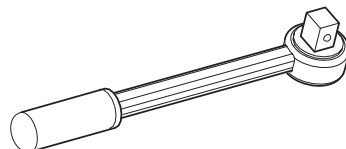
ITEMS REQUIRED FOR THIS SECTION

(2) 1/2", (2) 9/16" and (2) 3/4" Wrenches

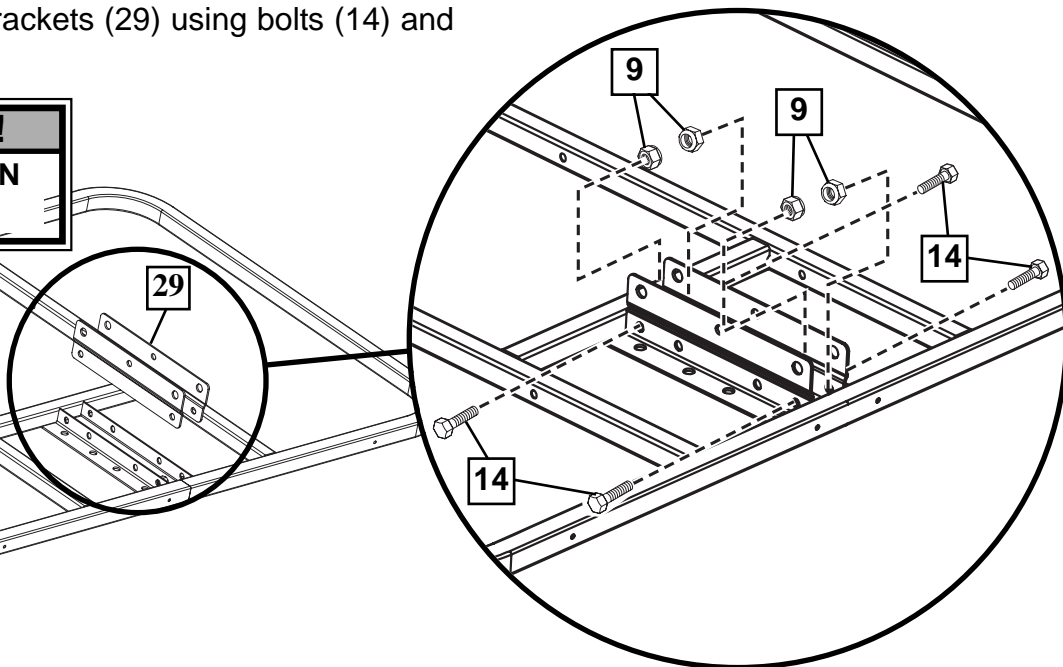
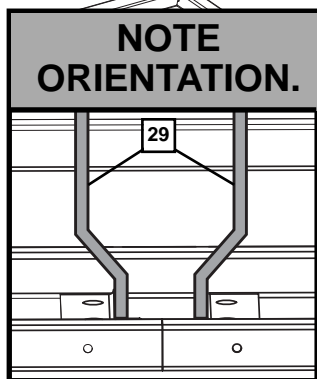


AND/OR

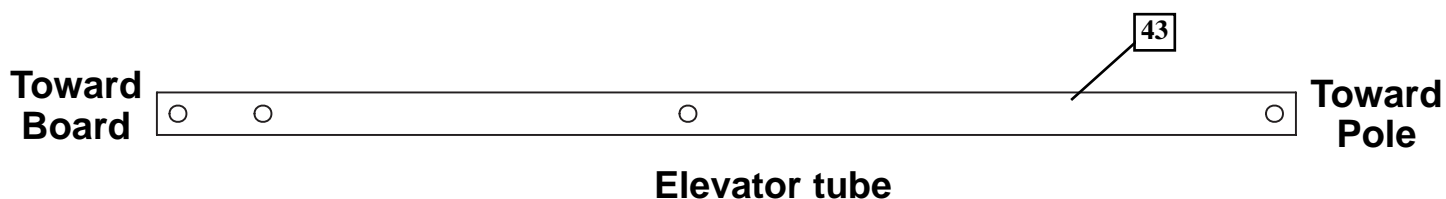
(2) Socket Wrenches and Sockets



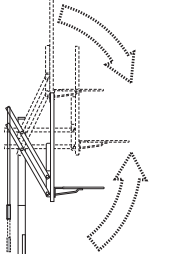
1. Assemble backboard brackets (29) using bolts (14) and nuts (9) as shown.



2. Identify elevator tubes (43).

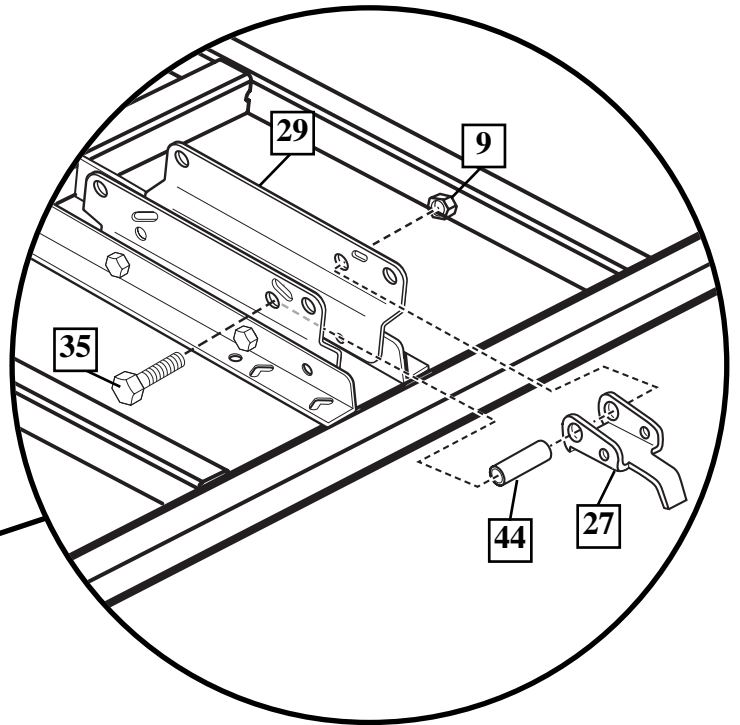
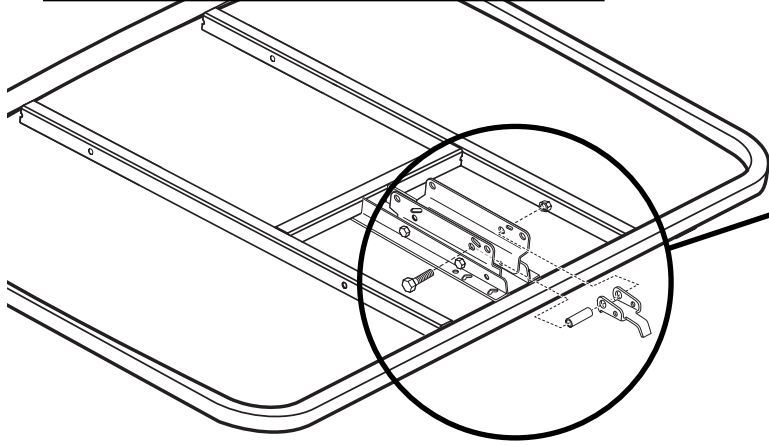


- 3.** Fit spacer (44) into pawl (27). Then secure to brackets (29) using bolt (35) and nut (52) as shown.

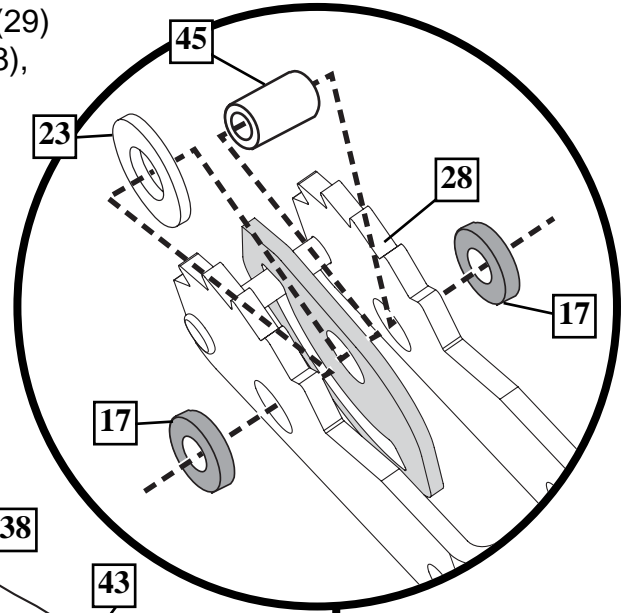
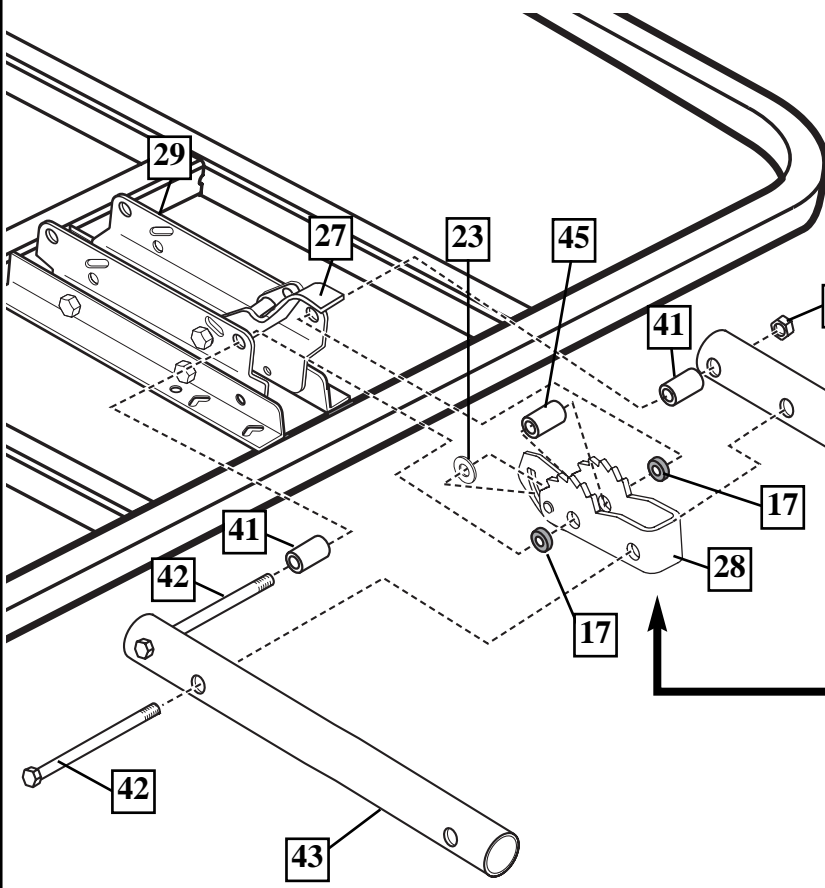


IMPORTANT!


DO NOT OVER TIGHTEN!
It is necessary for all parts to be installed properly for this mechanism to work safely and properly.



- 4.** Attach lower elevator tubes (43) to backboard brackets (29) using spacers (17, 23, 41, and 45), bolts (42) ratchet (28), and nuts (38) as shown.



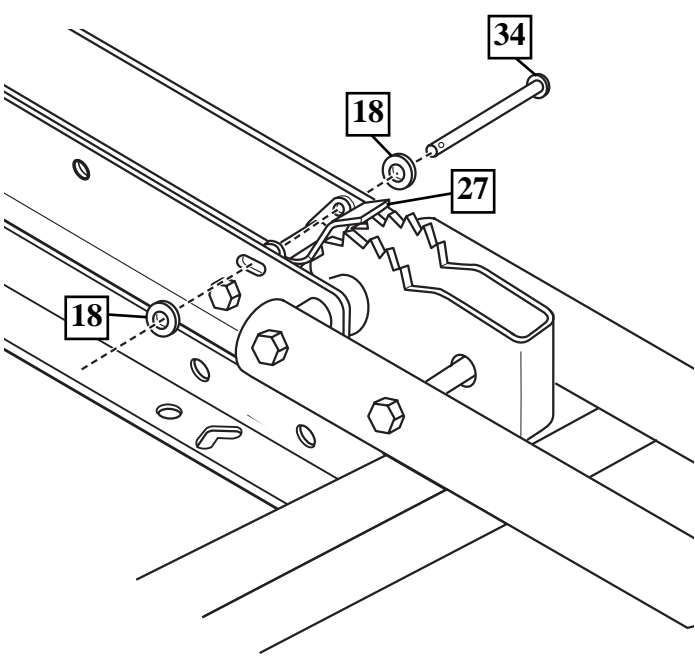
**TOP VIEW OF
RATCHET
ASSEMBLY**




IMPORTANT!

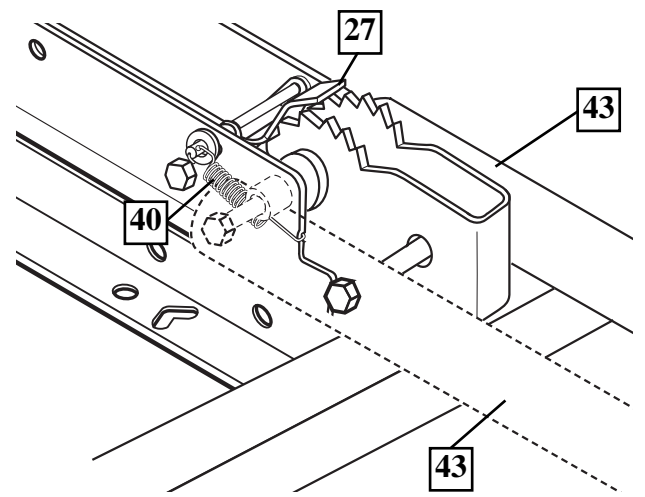
**TIGHTEN ALL
COMPONENTS
COMPLETELY (STEP 1-4)**

5. Secure pawl (27) in place with clevis pin (34) and washers (18) as shown.

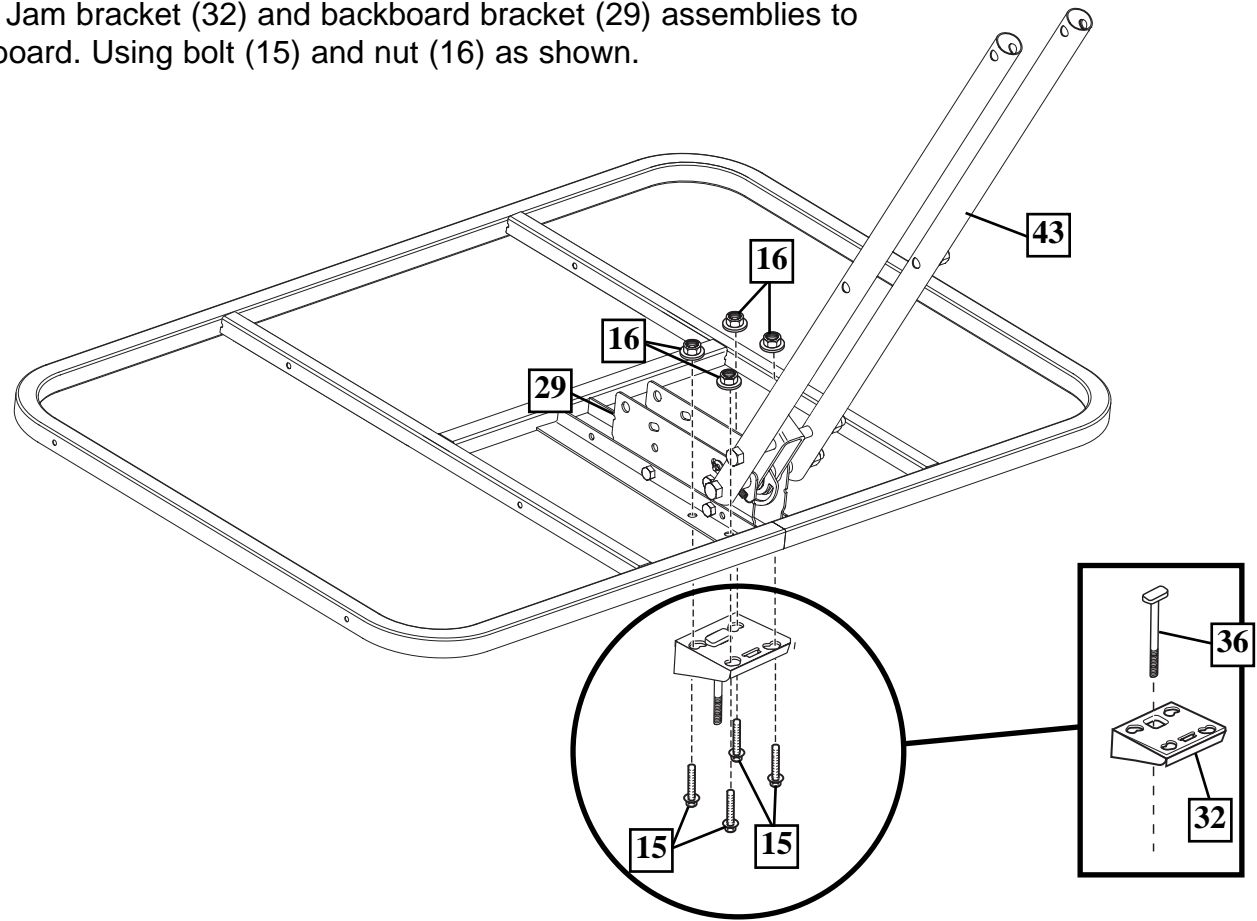


6. Stretch spring (40) into position with pliers from clevis pin (34) to board bracket (29).

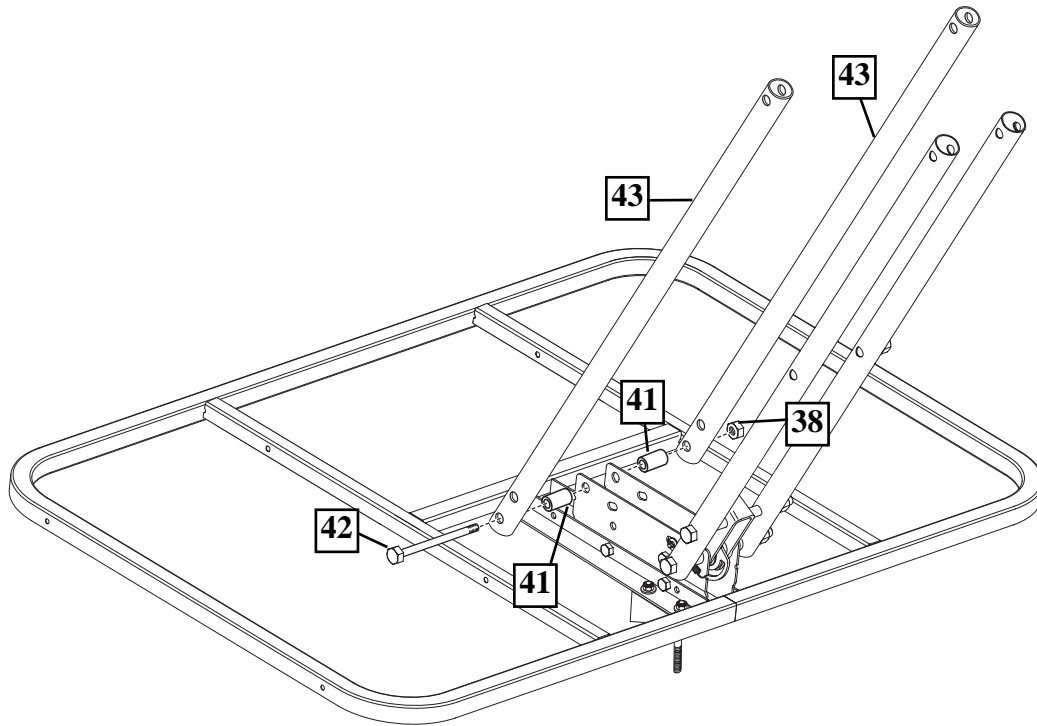
	⚠ WARNING!
	USE EYE PROTECTION WHEN INSTALLING SPRINGS.



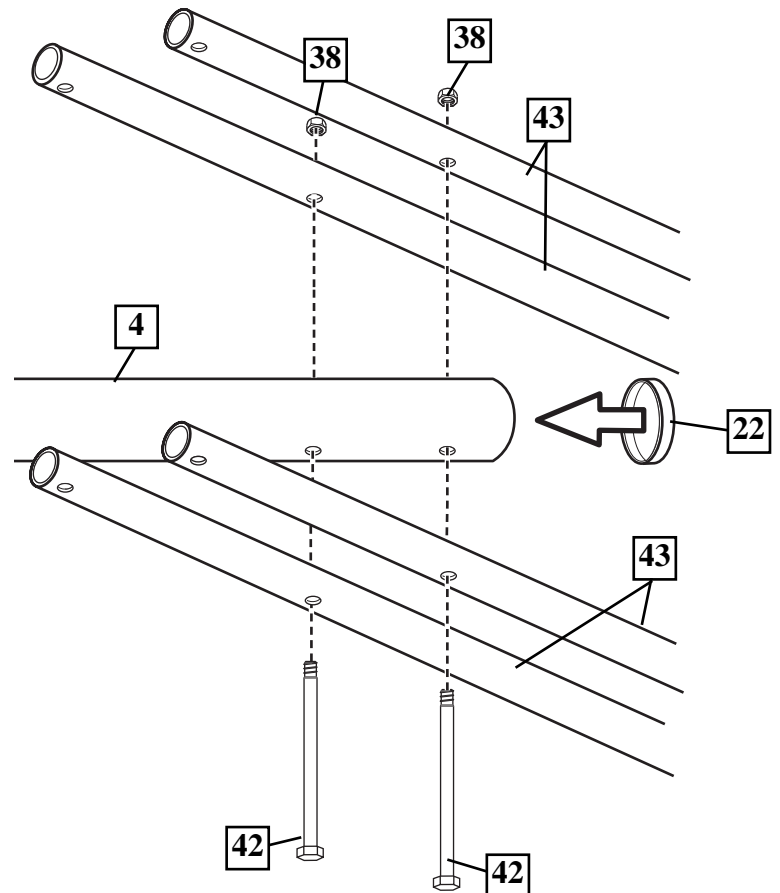
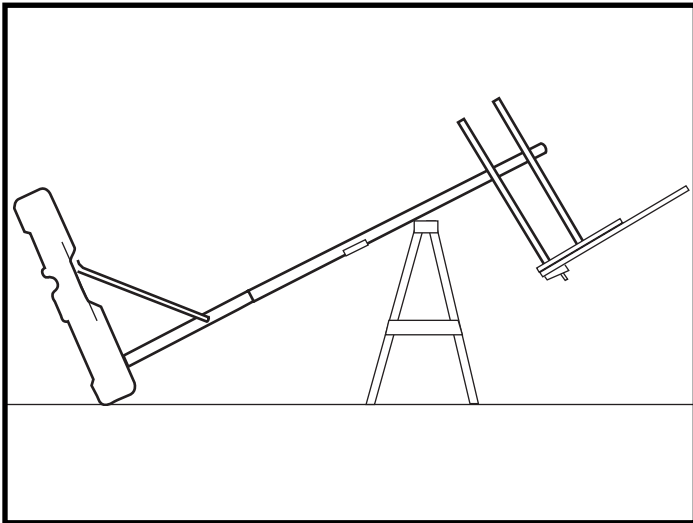
7. Insert T-bolt (36) through Slam Jam bracket (32) as shown. Secure Slam Jam bracket (32) and backboard bracket (29) assemblies to backboard. Using bolt (15) and nut (16) as shown.



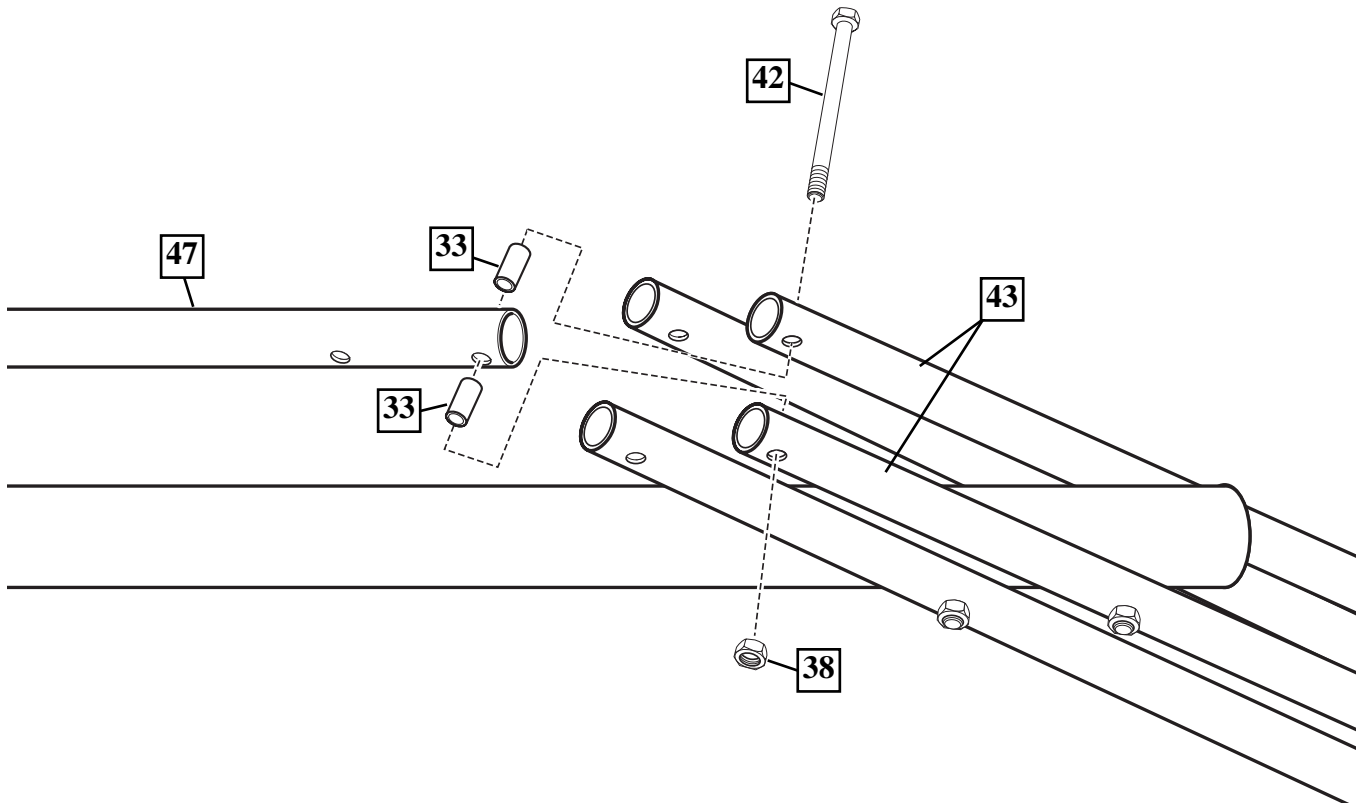
- 8.** Attach upper elevator tubes (43) to backboard brackets (29) using spacers (41) bolt (42) and nut (38) as shown.



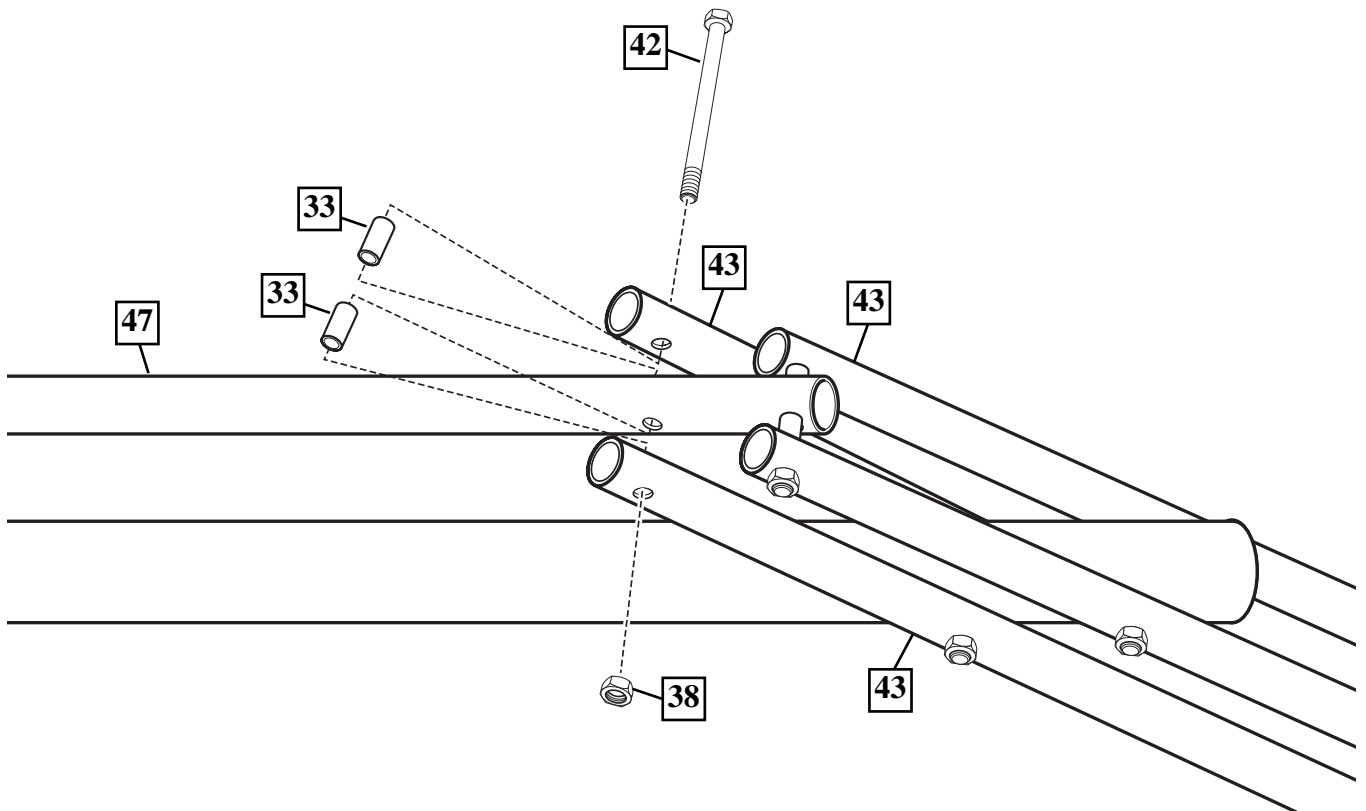
- 9.** Support pole on sawhorse. Attach upper and lower elevator tubes (43) to upper pole section (4) using bolts (42) and nuts (38) as shown. Attach pole cap (22) as shown.



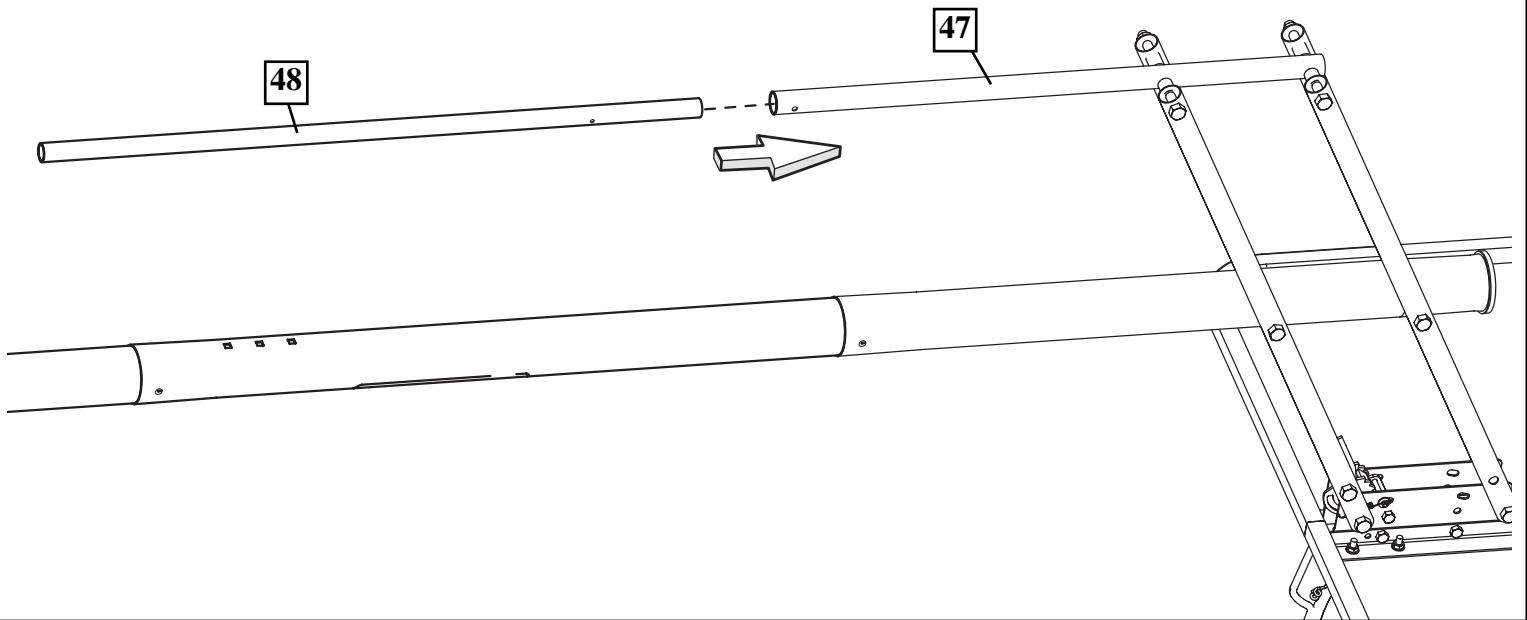
- 10.** **A** Attach outer handle tube (47) to upper elevator tubes (43) using bolt (42) spacers (33) and nut (38) as shown.



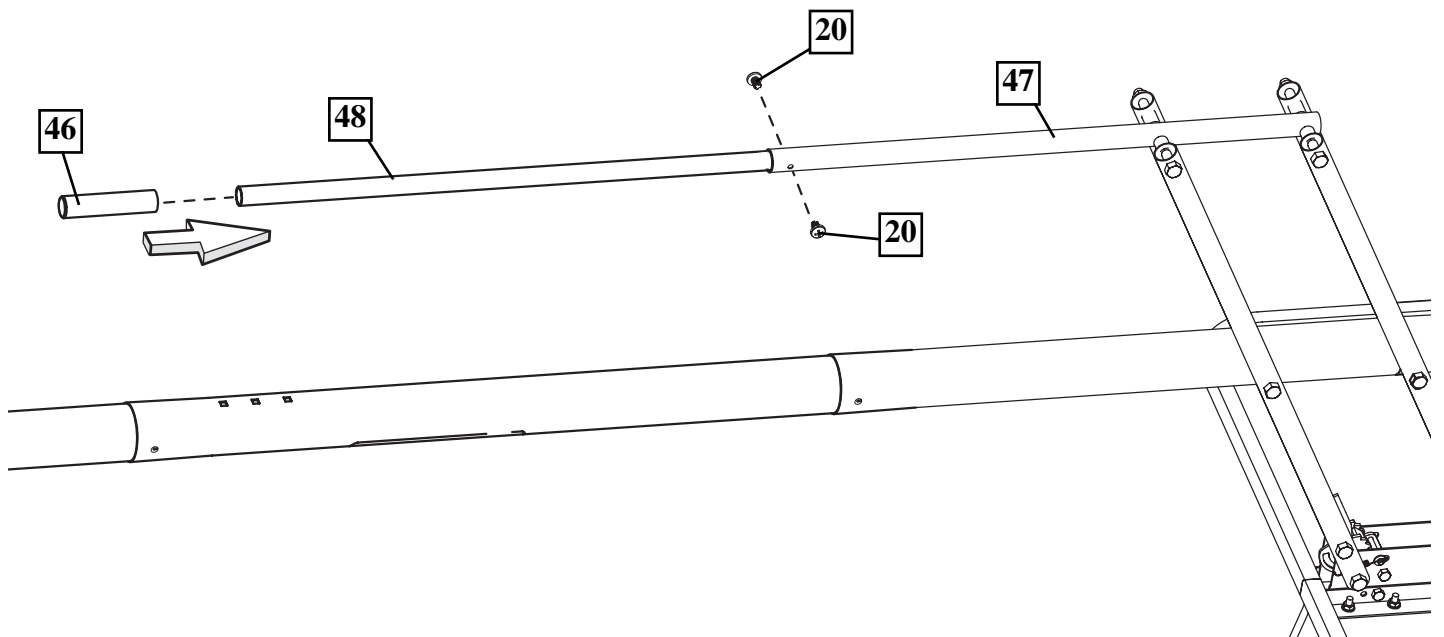
- 10.** **B** Attach outer handle tube (47) to lower elevator tubes (43) using bolt (42) spacers (33) and nut (38) as shown.



11. Slide inner handle tube (48) into outer handle tube (47) as shown.

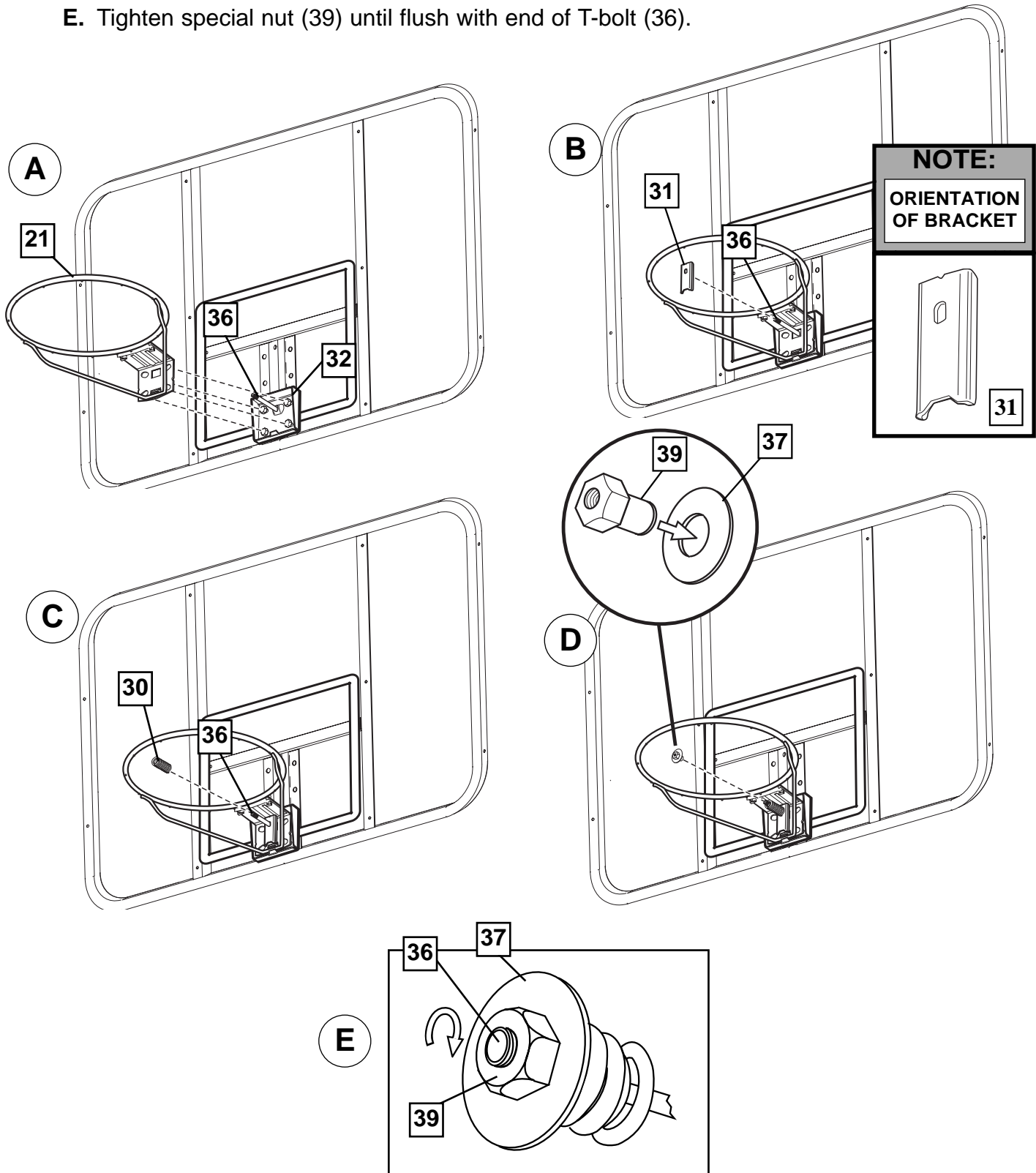


12. Secure inner handle tube (48) to outer handle tube (47) using screws (20) as shown.
Slide handle (46) onto inner handle tube (48).

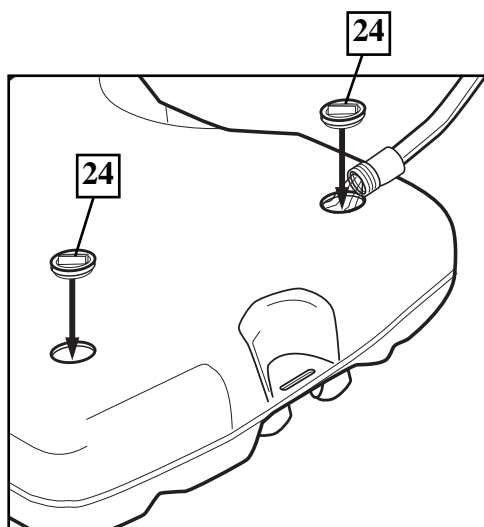
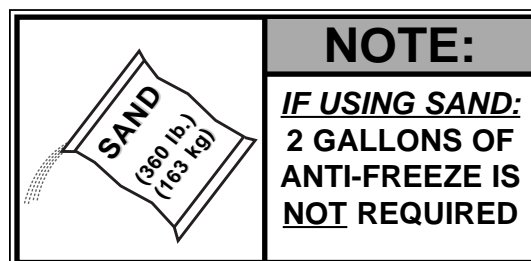
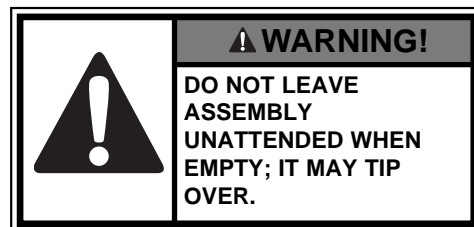


13.**Install Rim to Backboard**

- A. Fit rim (21) securely into bracket (32) as shown. Allow T-bolt (36) to slip through center hole in rim (21).
- B. Install reinforcement bracket (31) onto T-bolt (36) as shown.
- C. Install spring (30) onto T-bolt (36) as shown.
- D. Install special nut (39) and washer (37) onto T-bolt (36).
- E. Tighten special nut (39) until flush with end of T-bolt (36).



14. Roll the completed assembly to the desired playing area. Fill tank with 33 gallons of water.

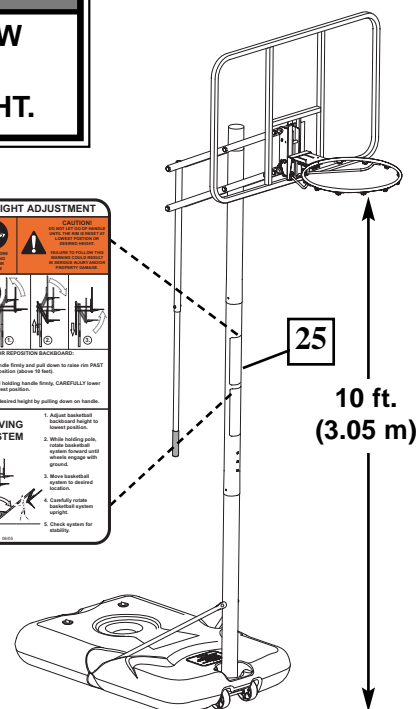
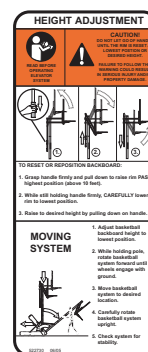
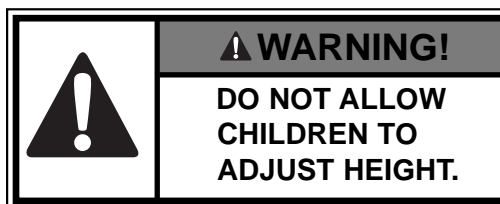


15. Apply the height adjustment and moving label (25) to the front of the pole as shown.

HEIGHT ADJUSTMENT

TO RESET OR REPOSITION BACKBOARD:

1. Grasp handle firmly and pull down to raise rim PAST highest position (above 10 feet).
2. While still holding handle firmly, CAREFULLY lower rim to lowest position.
3. Raise to desired height by pulling down on handle.



Free Manuals Download Website

<http://myh66.com>

<http://usermanuals.us>

<http://www.somanuals.com>

<http://www.4manuals.cc>

<http://www.manual-lib.com>

<http://www.404manual.com>

<http://www.luxmanual.com>

<http://aubethermostatmanual.com>

Golf course search by state

<http://golfingnear.com>

Email search by domain

<http://emailbydomain.com>

Auto manuals search

<http://auto.somanuals.com>

TV manuals search

<http://tv.somanuals.com>