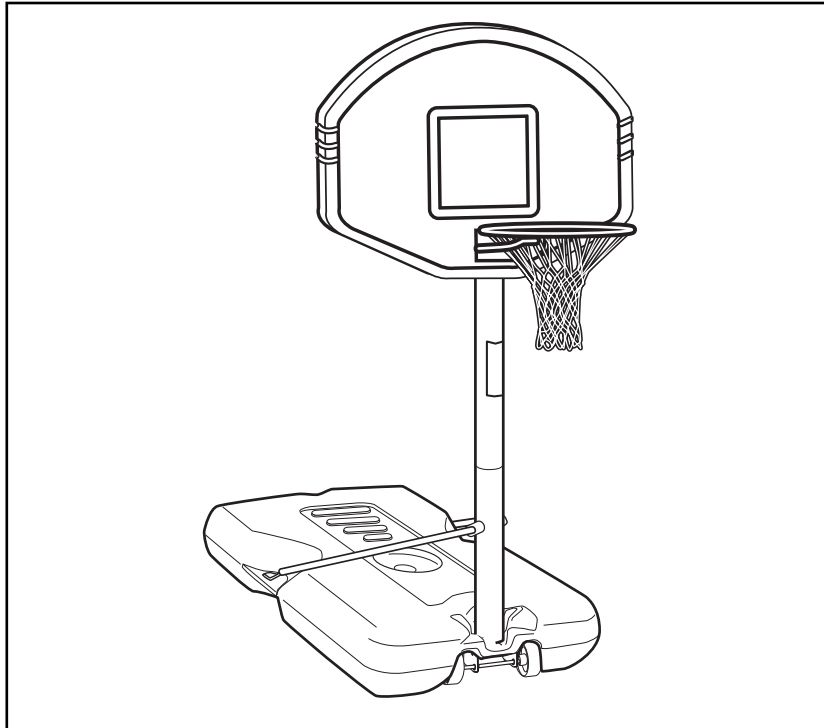


HUFFY[®]SPORTS

Pool System Owners Manual

Customer Service Center

• N53 W24700 South Corporate Circle • Sussex, WI 53089 • U.S.A.



! WARNING

Read and understand operator's manual before using this unit.

Failure to follow operating instructions could result in injury or damage to property.

REQUIRED TOOLS AND MATERIALS:

- Two People
- Wood Board (Scrap)
- Tape Measure
- Step Ladder 8 ft. (2.4 m)
- Tape
- Garden Hose or Sand 360 lb. (163 kg)
- Hammer
- Wrenches: (Two) 1/2", (One) 9/16" or Two Small Adjustable Wrenches (9/16" Deep Socket w/Extension Recommended)
- Support Table

Toll-Free Customer Service Number for U.S: **1-800-558-5234**,

For Canada: **1-800-284-8339**,

For Europe: **00 800 555 85234** (Sweden: **009 555 85234**),

For Australia: **1-800-333 061**

Internet Address: <http://www.huffysports.com>

WARNING

FAILURE TO FOLLOW THESE WARNINGS MAY RESULT IN SERIOUS INJURY AND/OR PROPERTY DAMAGE.

Owner must ensure that all players know and follow these rules for safe operation of the system.

- See instruction manual for proper installation and maintenance.
- DO NOT position system near trampolines, diving boards, slides or any play area equipment. System misuse could result in serious bodily injury.
- DO NOT perform dunk type activities on this system.
- DO NOT hang from any part of system, including backboard, support braces, rim or net.
- DO NOT jump, slide, climb, shake or play on tank and/or pole.
- Surface beneath the tank must be smooth and free of gravel or other sharp objects. Punctures cause leakage and could cause system to tip over.
- After assembly is complete, fill tank completely with water or sand and stake to ground and/or permanent solid object.
- Never leave system in an upright position without filling tank with weight, as system may tip over causing injury.
- DO NOT allow water in tank to freeze. During sub-freezing weather fill with non-toxic antifreeze, sand or empty tank completely and store. (Do Not Use Salt.)
- Keep pole top covered with cap at all times.
- Keep organic material away from pole tank. Grass, litter, etc. could cause corrosion and/or deterioration.
- Check pole system for signs of corrosion (rust, pitting, chipping) and repaint with exterior enamel paint. If rust has penetrated through steel anywhere, replace pole immediately.
- Check system before each use for loose hardware, excessive wear and signs of corrosion and repair before using.
- Check system before each use for stability.
- DO NOT use system during windy and/or severe weather conditions, system may tip over. Place system in the storage position and/or in an area protected from the wind and free from personal property and/or overhead power lines.
- During play, use extreme caution to keep player's face away from the backboard, rim or net. Serious injury could occur if teeth/face come in contact with backboard, rim or net.
- When adjusting height or moving unit, keep hands and fingers away from moving parts. Do not allow children to adjust system.
- During play, do not wear jewelry (rings, watches, necklaces, etc.) Objects may entangle in net.

HUFFY®SPORTS

In the U.S.: 1-800-558-5234 and Canada Only: 1-800-284-8339

211239 1/98



SAFETY INSTRUCTIONS



FAILURE TO FOLLOW THESE SAFETY INSTRUCTIONS MAY RESULT IN SERIOUS INJURY OR PROPERTY DAMAGE AND WILL VOID WARRANTY.

Owner must ensure that all players know and follow these rules for safe operation of the system.

To ensure safety, do not attempt to assemble this system without following the instructions carefully. Check entire box and inside all packing material for parts and/or additional instruction material. Before beginning assembly, read the instructions and identify parts using the hardware identifier and parts list in this document. Proper and complete assembly, use and supervision are essential for proper operation and to reduce the risk of accident or injury. A high probability of serious injury exists if this system is not installed, maintained, and operated properly.

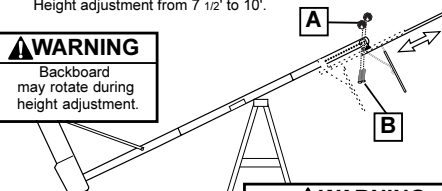
- DO NOT position system near trampolines, diving boards, slides, or any play area.
- If using a ladder during assembly, use extreme caution.
- This equipment is intended for home recreational use only and NOT excessive competitive play.
- DO NOT position system near trampolines, diving boards, slides, or any play area equipment. System misuse could cause serious bodily injury.
- Two pole assembly is for in-ground pool side use only.
- Read and understand the warning label affixed to pole.
- The life of your basketball pole depends on many conditions. The climate, placement of the pole, location of the pole, exposure to corrosives such as chlorine, pesticides, herbicides or salts are all important factors.
- During assembly, if using a ladder use extreme caution. Two people are recommended for this operation.
- Seat the pole sections properly (if applicable). Failure to do so could allow the pole sections to separate during play and/or during transport of the system.
- Climate, corrosion and excessive use or misuse could result in system failure.
- Check tank regularly for leakage. Slow leaks could cause system to tip over unexpectedly.
- If technical assistance is required, contact Huffy Customer Service Center.
- Adult supervision is recommended when adjusting system.

*Most injuries are caused by misuse and/or not following instructions.
Use caution when using this system.*

HEIGHT ADJUSTMENT

Rest unit on support table. Remove adjustment knobs (A) and carriage bolts (B) to extend or retract backboard and rim. Height adjustment from 7 1/2' to 10'.

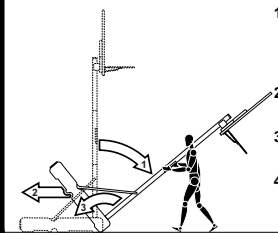
WARNING
Backboard may rotate during height adjustment.



WARNING
Do not adjust height of system in upright position. System must be in down position to adjust.

15

MOVING SYSTEM



1. While holding pole, rotate basketball system forward until wheels engage with ground.
2. Move basketball system to desired location.
3. Carefully rotate basketball system upright.
4. Reattach ground restraint and check system for stability.

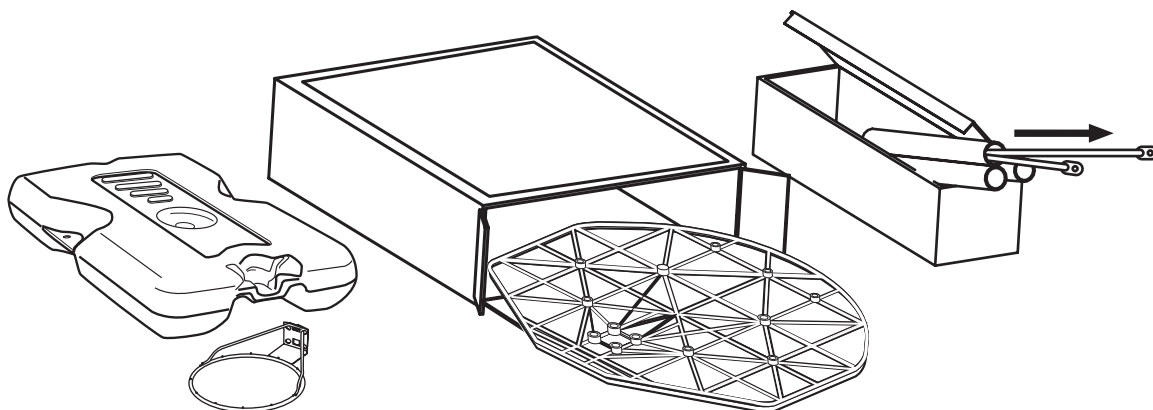
200439 11/00

NOTICE TO ASSEMBLERS

ALL Huffy Sports Basketball Systems, including those used for DISPLAYS, MUST be assembled and ballasted with sand or water according to instructions. Failure to follow instructions could result in SERIOUS INJURY. It is NOT acceptable to devise a makeshift weight system.

IMPORTANT!

**Remove all contents from boxes.
Be sure to check inside pole sections;
hardware and additional parts are packed inside.**



Questions or Missing Parts?

DON'T go back to store!

**Call TOLL-FREE Customer Service
Number listed on the front page!**

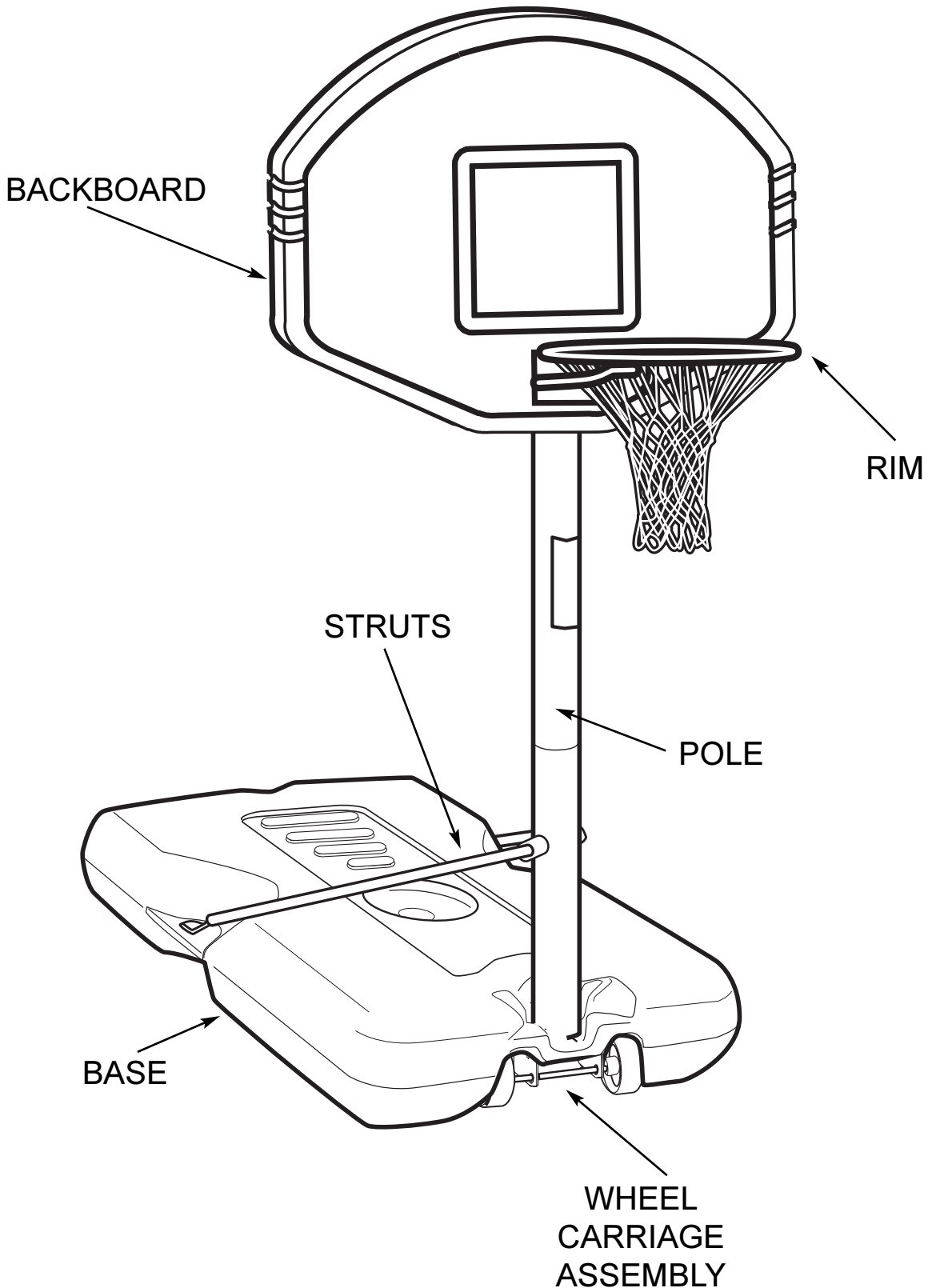
WARRANTY CARD:

Please remember to complete your product registration form either on-line at:
www.huffysports.com/warrantycard or
mail-in the enclosed postcard.

For more information on assembly, placement, proper use and maintenance, visit The American Basketball Council website at <http://www.smarthoops.com>.

Get to know the basic parts of your basketball system.....

FRONT



PARTS LIST - (See Hardware Identifier)

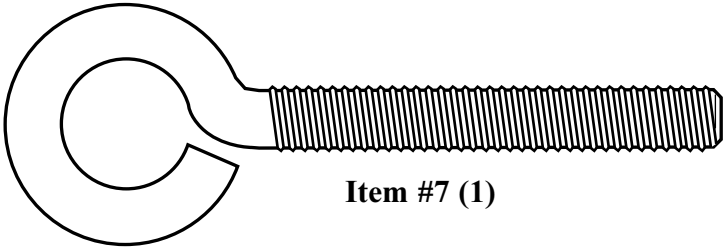
<u>Item</u>	<u>Qty.</u>	<u>Part No.</u>	<u>Description</u>
1	1	206740	Tank (White)
2	1	200628	11.75 Long Axle Rod
3	2	226401	Wheel
4	1	900220	Top Pole Section (White)
5	1	201190	Cap (White)
6	1	986102	Bottom Pole Section (White)
7	1	202822	Eyebolt, 3/8-16 x 3-3/4 Long
8	1	202820	Rod, 3/8 O.D. x 4-3/4 Long
9	1	200627	Bracket Wheel Carriage
10	1	203063	Lock Nut, Nylon Insert, 3/8-16
11	1	201625	Bolt, Hex Head, Yellow Dichromate, 5/16-18 x 3.60" Long
12	6	203218	Washer, 5/16 Flat
13	2	986206	Tank Strut (White)
14	1	203220	Lock Nut, 5/16-18
15	1	200439	Label, Height Adjustment and Moving
16	2	203156	Bolt, Hex Head, 5/16-18 x 1 Long
17	6	203100	Nut, Hex Flange 5/16-18
18	1		Rim
19	12*	201219	Clip, Net Holder Smart Clip
20	2	900207	Backboard Mounting Bracket
21	4	203309	Washer, 1 O.D.
22	4	203113	Bolt, Hex Flange, 5/16-18 x 2-1/2 Long
23	2	203231	Bolt, Carriage 5/16-18 x 3-1/2 Long
24	2	203435	Knob, Plastic, 1-3/4 Diameter
25	1		Net
26	1	201568	Tie Down Strap
27	1	203124	Tie Down Stake
28	1	201189	Base Plug
29	2	201651	Spacer, Plastic

* YOU MAY HAVE EXTRA PARTS WITH THIS MODEL.

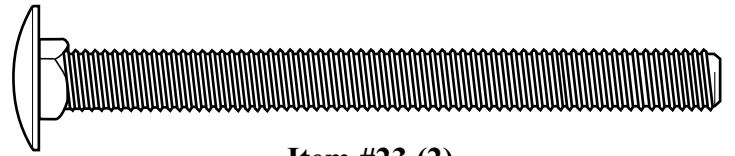
WARRANTY CARD:

Please remember to complete your product registration form either on-line at:
www.huffysports.com/warrantycard or
mail-in the enclosed postcard.

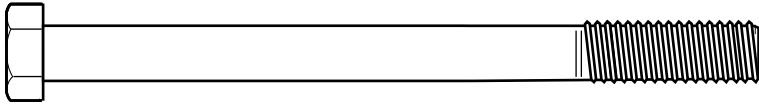
HARDWARE IDENTIFIER (BOLTS & STEEL RODS)



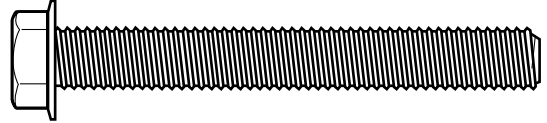
Item #7 (1)



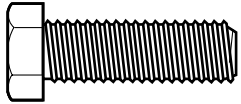
Item #23 (2)



Item #11 (1)



Item #22 (4)

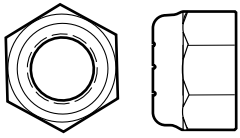


Item #16 (2)

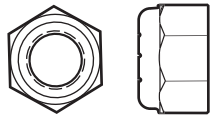


Item #8 (1)

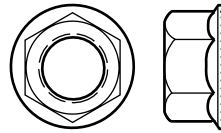
HARDWARE IDENTIFIER (NUTS & WASHERS)



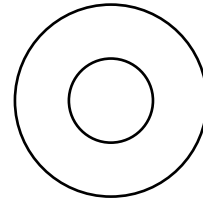
Item #10 (1)



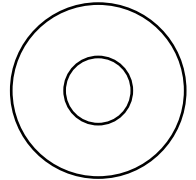
Item #14 (1)



Item #17 (6)



Item #21 (4)

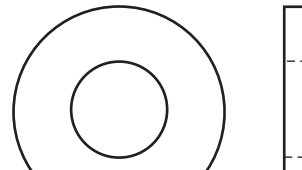


Item #12 (6)

HARDWARE IDENTIFIER (PLASTIC CLIPS & SPACERS)



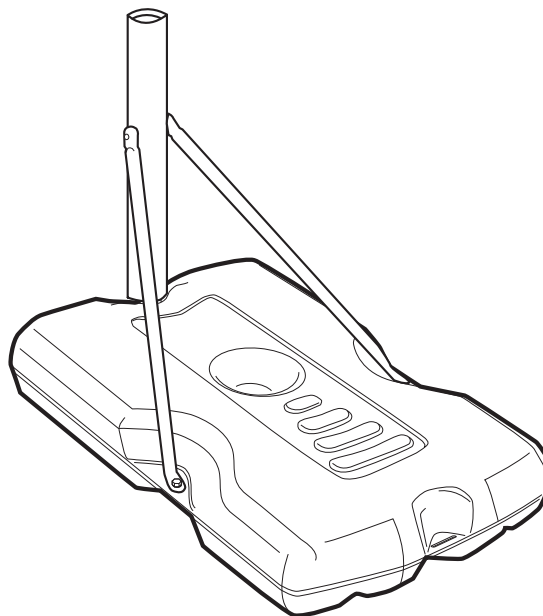
Item #19 (12)*



Item #29 (2)

SECTION A: ASSEMBLE THE BASE

This is what your system will look like when you've finished this section:

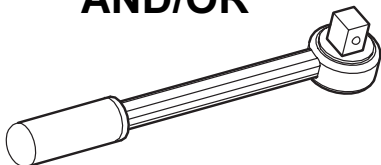


TOOLS REQUIRED FOR THIS SECTION

9/16" and 1/2"

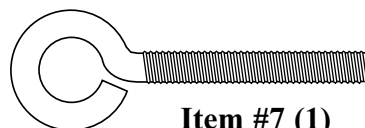


AND/OR



9/16" and 1/2"

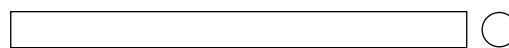
HARDWARE USED IN THIS SECTION (not actual size)



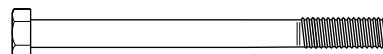
Item #7 (1)



Item #10 (1)



Item #8 (1)



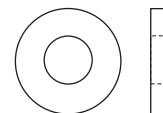
Item #11 (1)



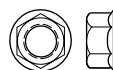
Item #12 (6)



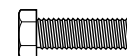
Item #14 (1)



Item #29 (2)

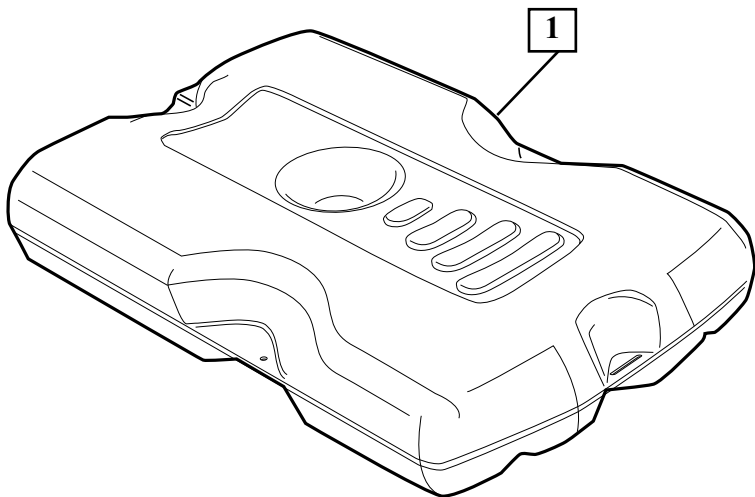


Item #17 (6)

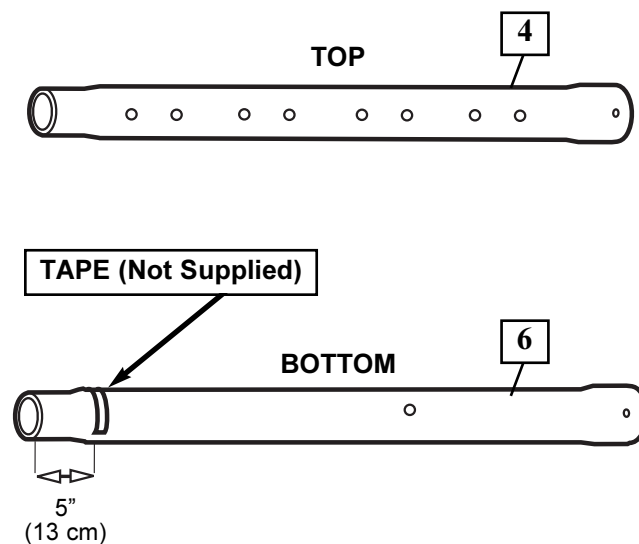


Item #16 (2)

1. Remove contents from tank

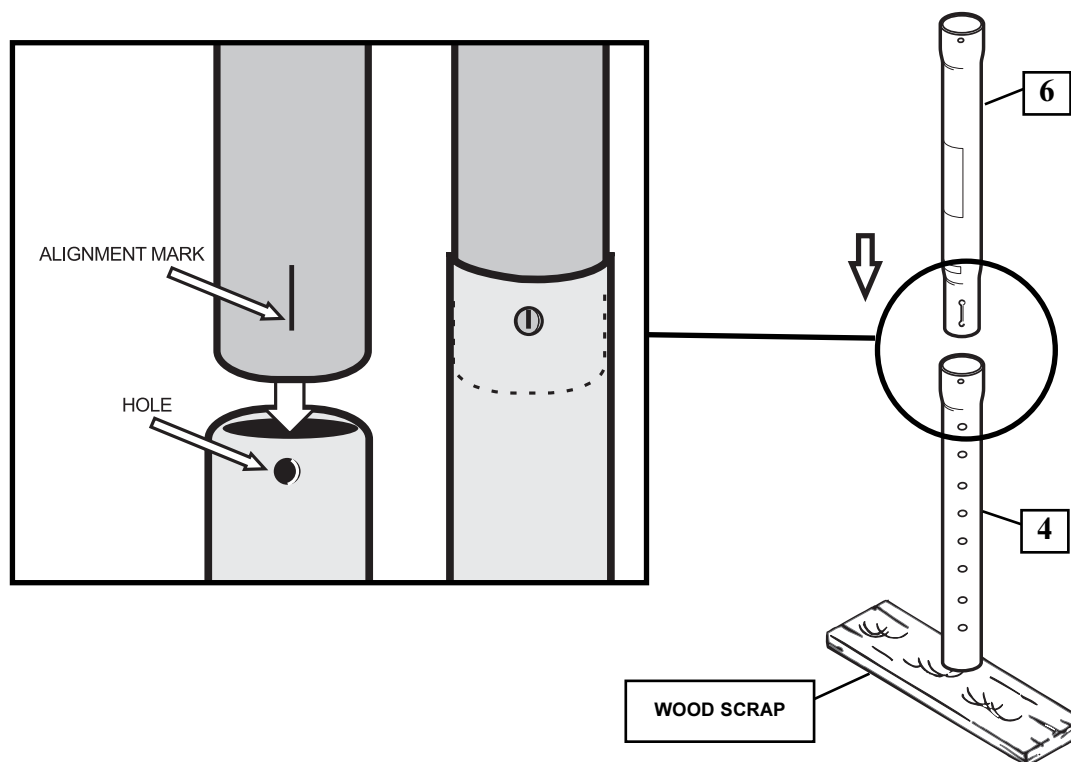


2. Correctly identify each pole section and mark indicated distance from ends with tape as shown.

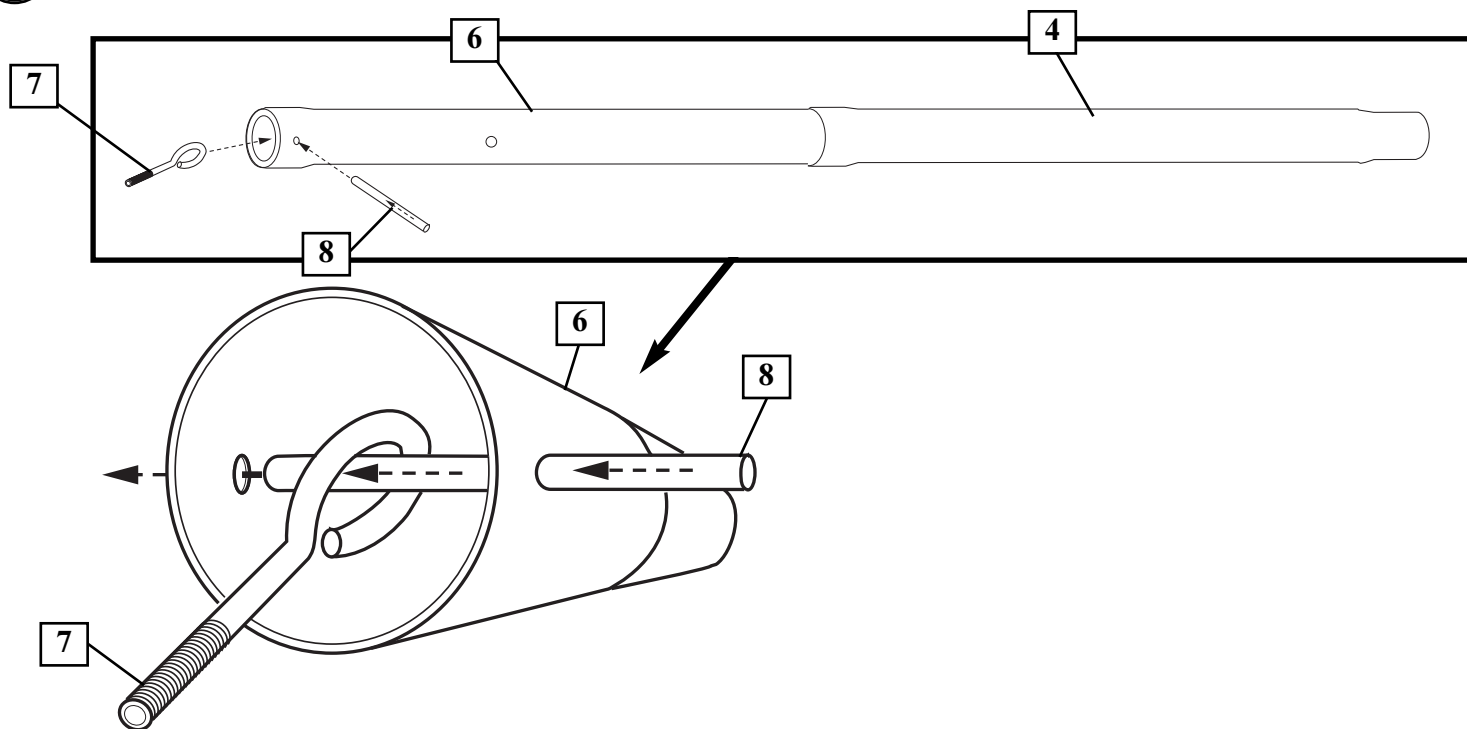


3. IMPORTANT! Center the alignment slot of bottom pole section (6) in the lower hole of top pole section (4) as shown. While maintaining alignment, bounce top section of pole (4) and bottom section (6) together as shown until they no longer move toward taped reference mark.

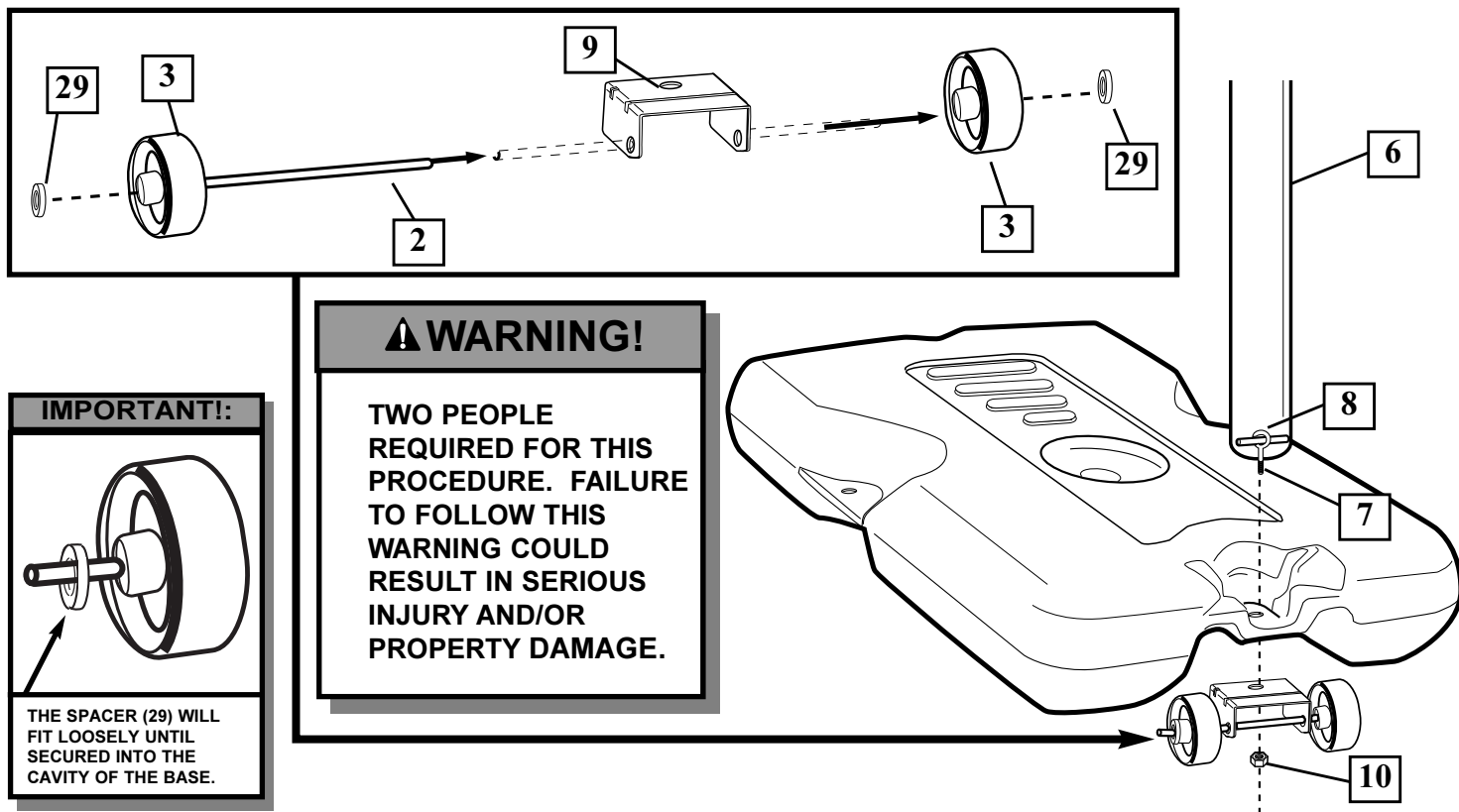
NOTE: Pole sections should have a 3-1/2" (9 cm) minimum overlap.



- 2.** Install rod (5) through holes in bottom pole section (4) and eyebolt (6).



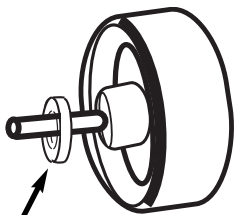
- 3.** Install wheel axle (2) through wheel carriage (9). Install wheels (3) onto wheel axle (2) with spacers (29) as shown. Insert pole assembly into tank assembly as shown. Secure bottom pole (6) to tank and wheel bracket as shown, a deep socket is recommended. **IMPORTANT! DO NOT OVERTIGHTEN.**



⚠ WARNING!

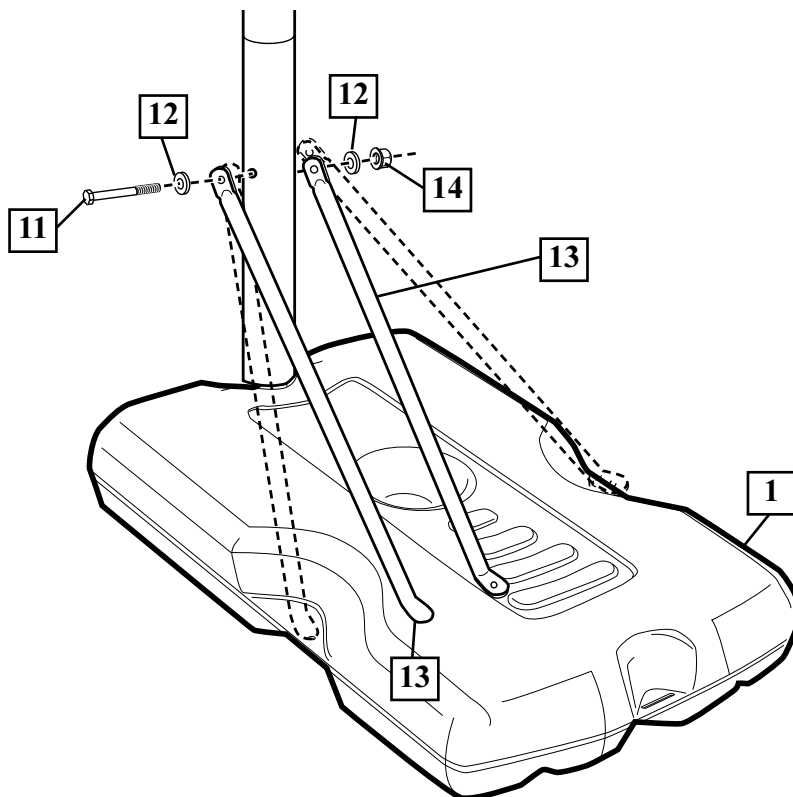
**TWO PEOPLE
REQUIRED FOR THIS
PROCEDURE. FAILURE
TO FOLLOW THIS
WARNING COULD
RESULT IN SERIOUS
INJURY AND/OR
PROPERTY DAMAGE.**

IMPORTANT!



THE SPACER (29) WILL
FIT LOOSELY UNTIL
SECURED INTO THE
CAVITY OF THE BASE.

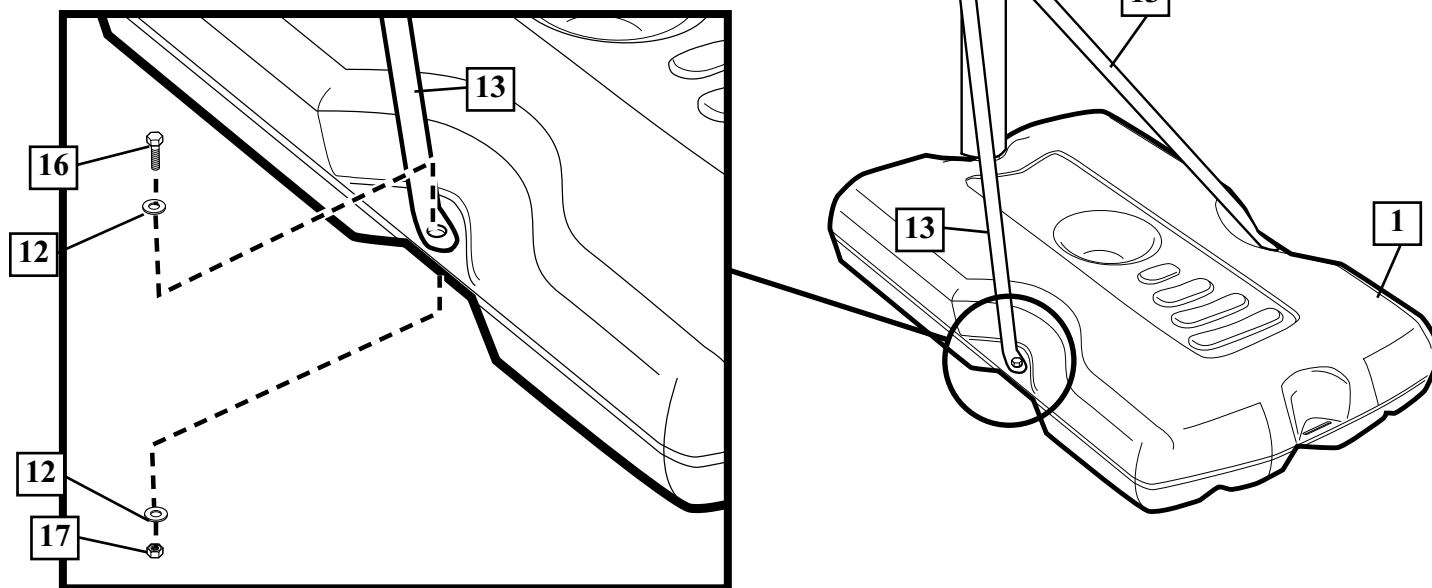
- 4.** Secure tank struts (13) to pole. Rotate non-secured ends of tank struts (13) outward to mounting holes in tank as shown.



⚠ WARNING!

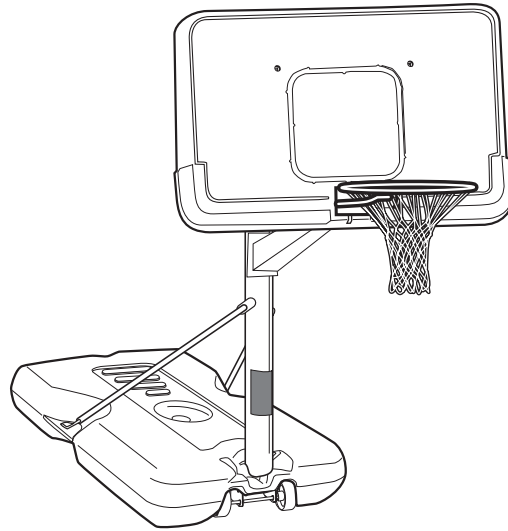
TIGHTEN BOLT (9) IN LOCK NUT (12) UNTIL FLUSH (EVEN) WITH LOCK NUT'S OUTER EDGE.

- 5.** Secure non-secured ends of tank struts (13) to tank as shown. Repeat for opposite side.

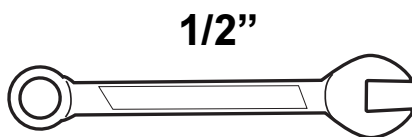


SECTION B: ASSEMBLE THE BACKBOARD

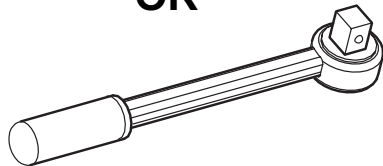
This is what your system will look like when you've finished this section:



TOOLS REQUIRED FOR THIS SECTION

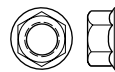


OR



1/2"

HARDWARE USED IN THIS SECTION



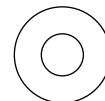
Item #17 (6)



Item #22 (4)



Item #19 (12)*

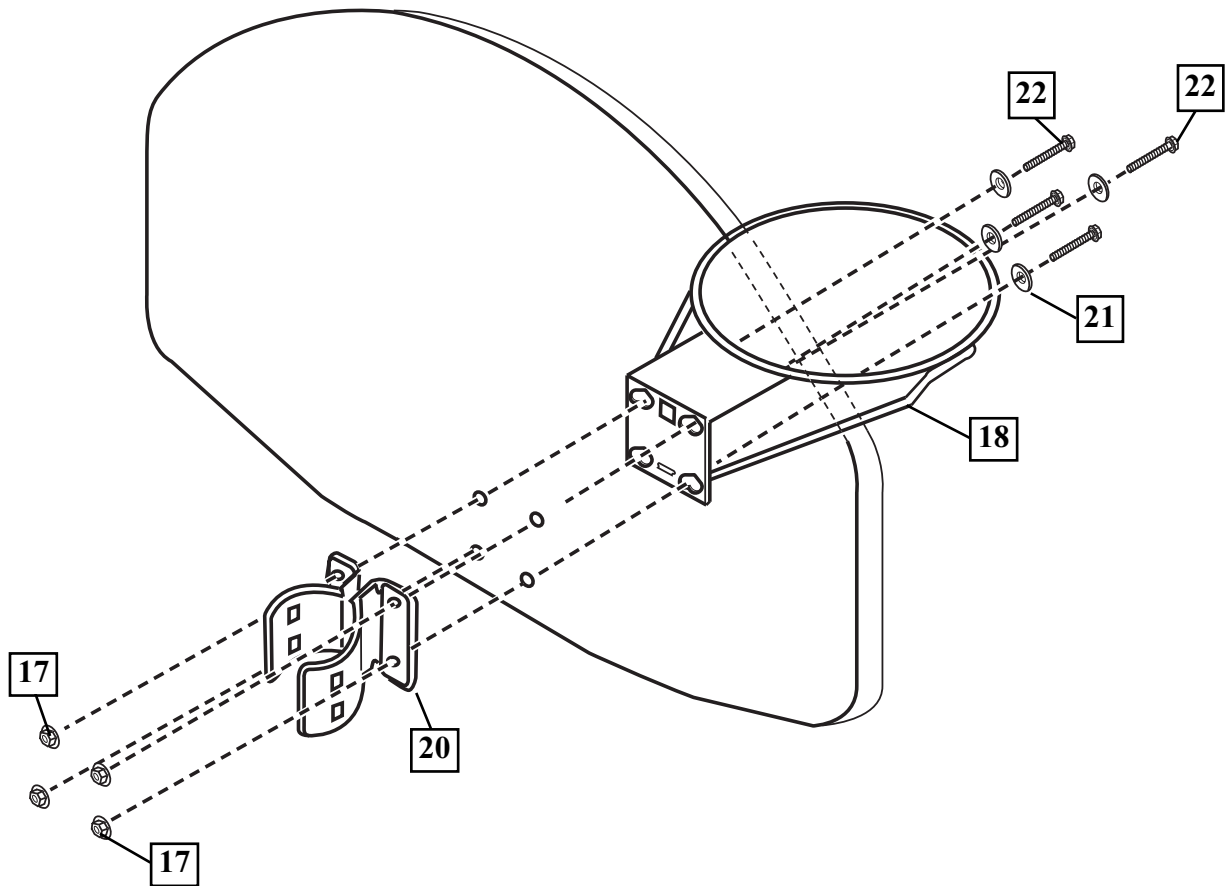


Item #21 (4)

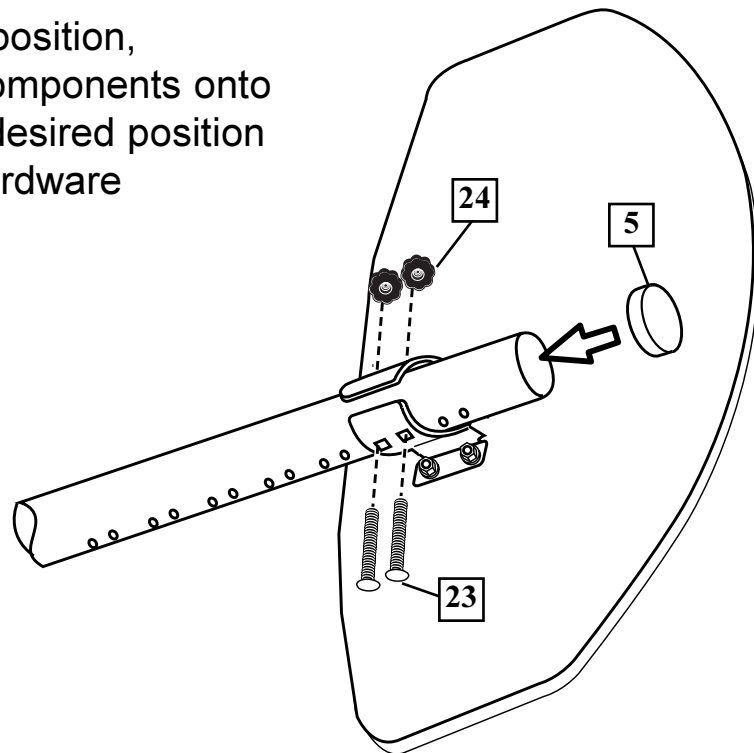


Item #23 (2)

- 6.** Mount brackets (20) and rim (18) to backboard and finger tighten as shown. **NOTE:** Final adjustments will be made in Step 9. **IMPORTANT!** For spring loaded rim assembly, refer to instructions included with rim hardware.



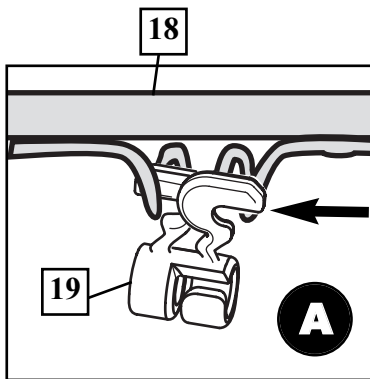
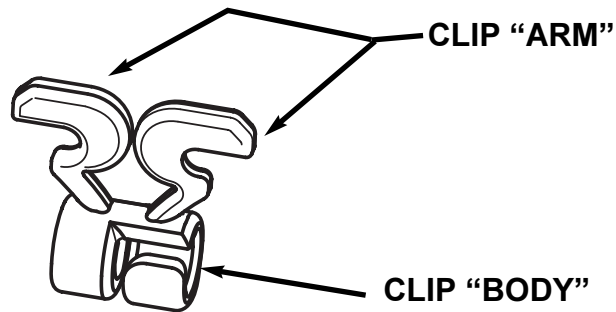
- 9.** While still in the horizontal position, carefully slide backboard components onto pole. Secure hardware at desired position as shown and tighten all hardware completely at this time.



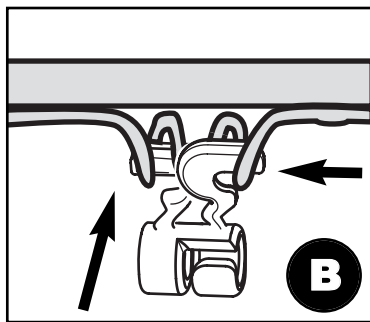
8. Install clips.

⚠ WARNING!

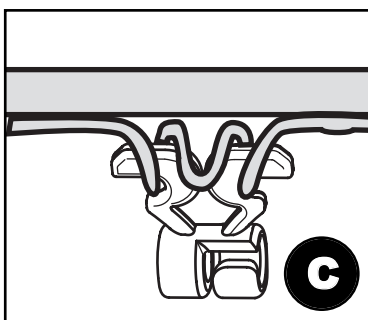
USE OF THIS PRODUCT WITHOUT PROPER INSTALLATION OF SMART CLIPS, OR WHEN ALL SMART CLIPS ARE NOT PRESENT COULD RESULT IN BODILY HARM. BE SURE TO FOLLOW DIRECTIONS CAREFULLY.



Insert one "arm" of clip into ram as shown. Twist "body" of clip slightly so that second "arm" slides over the top of the first "arm" as shown.
Push in direction indicated by arrows.



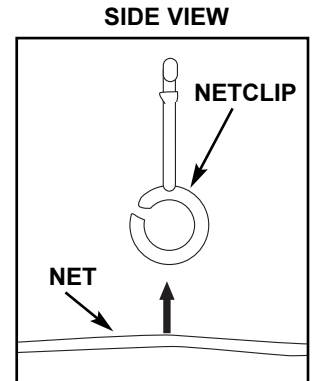
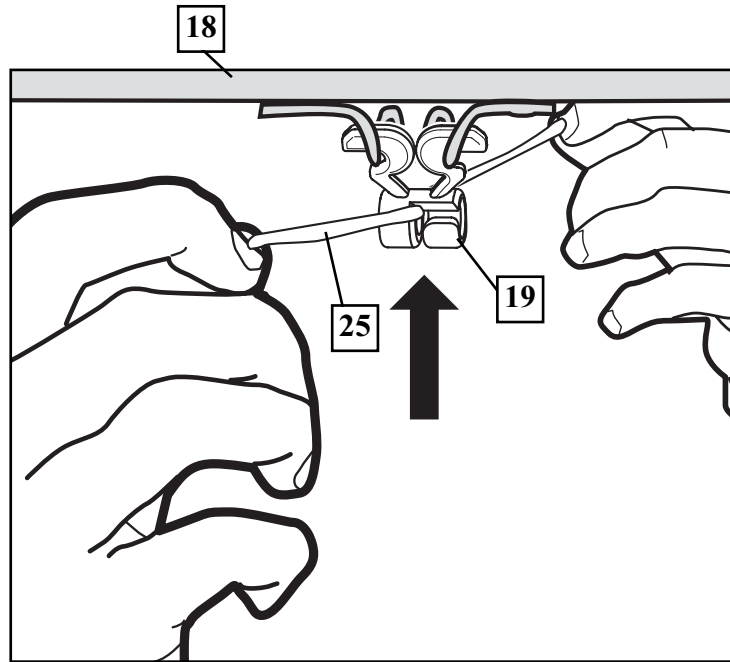
Push second "arm" back and into ram as shown.



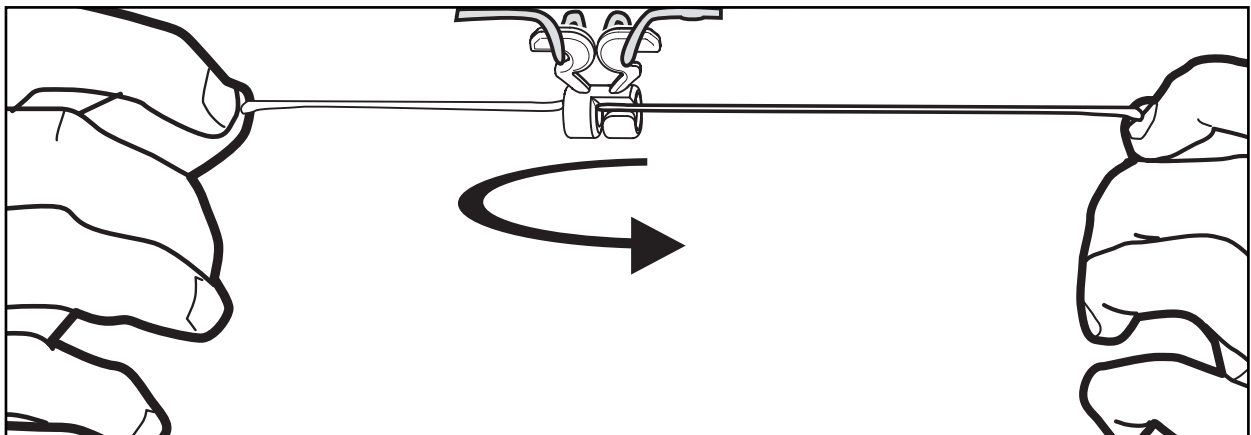
Twist "body" of clip slightly again to spread "arms" of clip. Clip "arms" must be flat and touching edge to edge as shown, not overlapping.

NET INSTALLATION

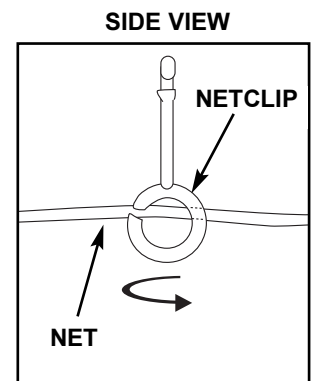
9.



Insert net into bottom of clip as shown.



**Twist net until it snaps into position.
Net must be centered through clip.**

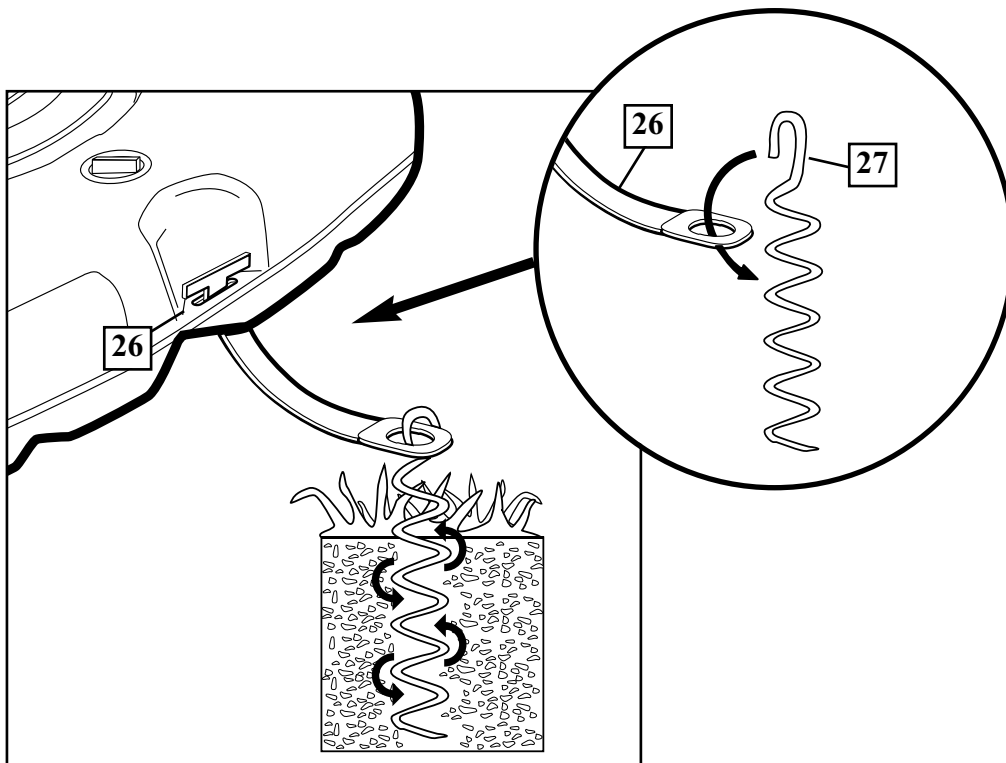
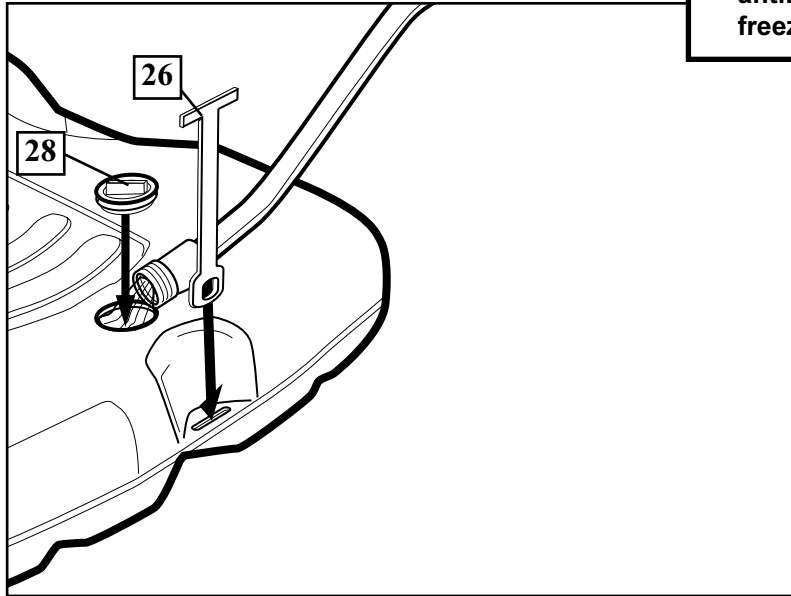


SECTION C: SECURING THE SYSTEM

1. Place assembled unit to desired location. Fill tank with water (30 gallons (114 liters)) or sand (360 lb. (163 kg)) and snap tank cap (28) in place. Insert T-strap (26) through slot on back of base as shown. Secure unit to ground by twisting tie down stake (27) into ground and hooking T-strap (26) onto tie down stake (27).

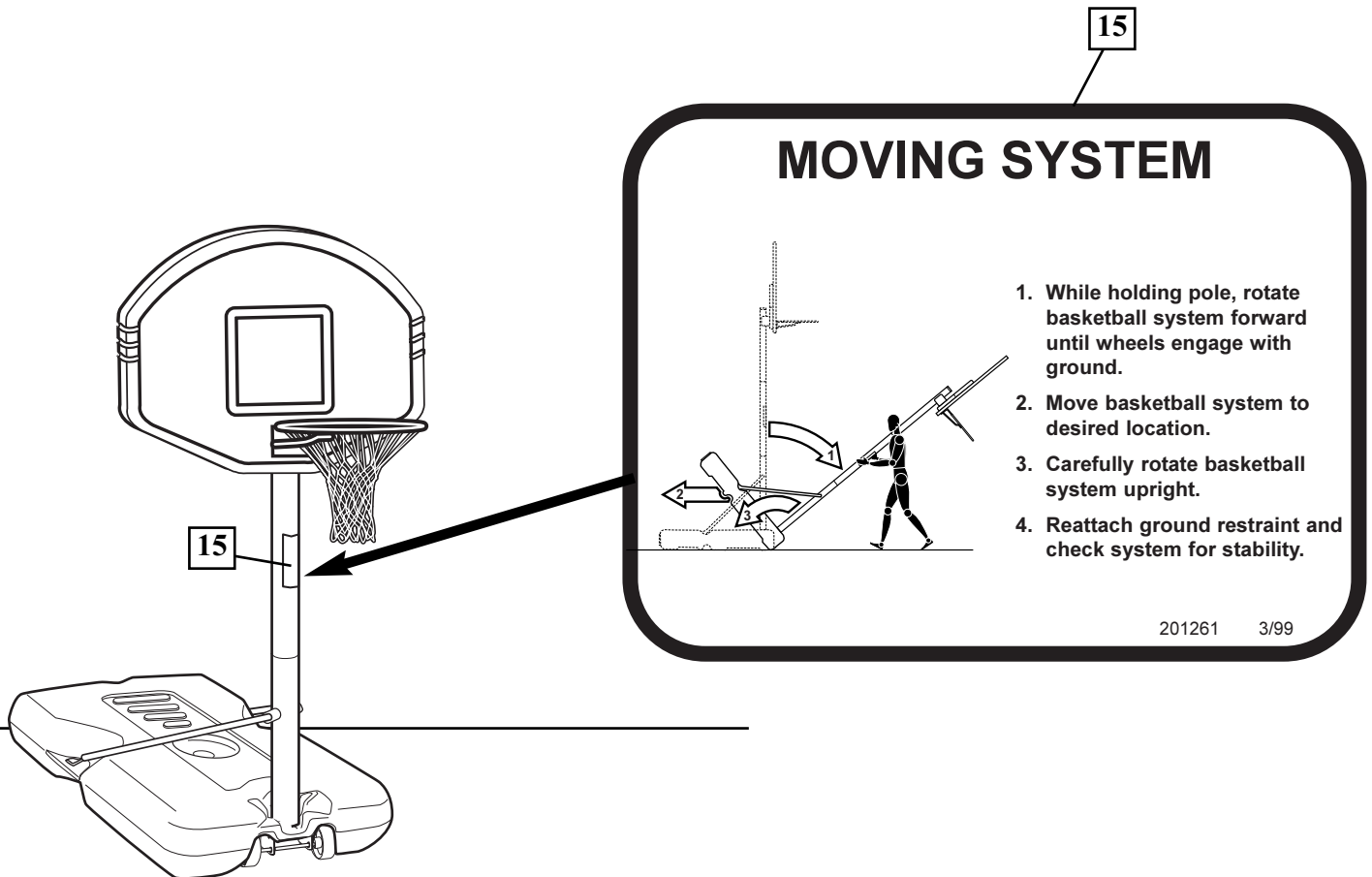
⚠ CAUTION!

Add two gallons (7.6 liters) of non-toxic antifreeze in sub-freezing climates.



SECTION E: APPLY HEIGHT AND MOVING LABEL

1. Apply Height and Moving label on pole as shown.



WARNING: IF YOUR SYSTEM IS EQUIPPED WITH AN ACRYLIC BACKBOARD, EXAMINE BACKBOARD FOR ANY DAMAGE THAT MAY HAVE OCCURRED DURING SHIPMENT. CRACKS IN THE BACKBOARD COULD RESULT IN SUDDEN BREAKAGE. IF BACKBOARD IS DAMAGED IN ANY WAY PRIOR TO OR AFTER ASSEMBLY, CALL TOLL-FREE NUMBER FOR FREE REPLACEMENT: U.S. 1-800-558-5234; CANADA: 1-800-284-8339; <http://www.huffysports.com>

Free Manuals Download Website

<http://myh66.com>

<http://usermanuals.us>

<http://www.somanuals.com>

<http://www.4manuals.cc>

<http://www.manual-lib.com>

<http://www.404manual.com>

<http://www.luxmanual.com>

<http://aubethermostatmanual.com>

Golf course search by state

<http://golfingnear.com>

Email search by domain

<http://emailbydomain.com>

Auto manuals search

<http://auto.somanuals.com>

TV manuals search

<http://tv.somanuals.com>