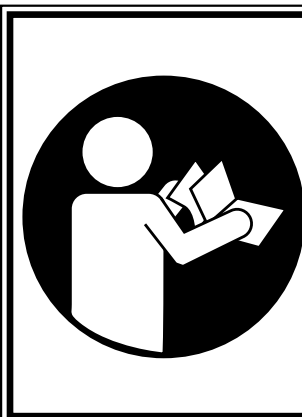
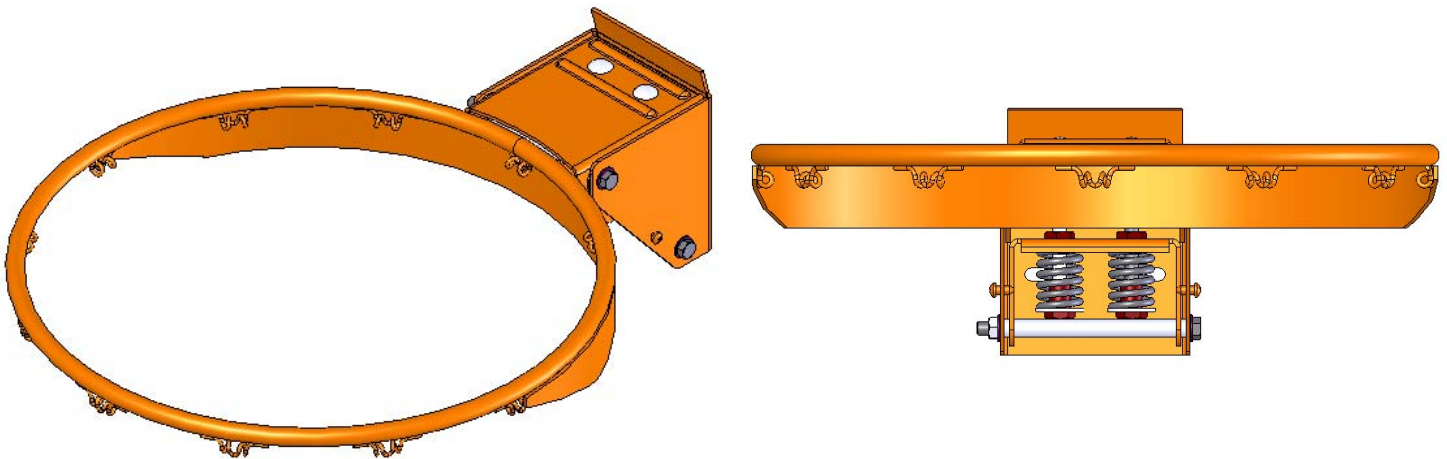




# Pro Image Rim Owners Manual

Customer Service Center  
• N53 W24700 South Corporate Circle • Sussex, WI 53089 • U.S.A.



## **! WARNING!**

READ AND UNDERSTAND  
OPERATOR'S MANUAL  
BEFORE USING THIS UNIT.

FAILURE TO FOLLOW  
OPERATING INSTRUCTIONS  
COULD RESULT IN INJURY  
OR DAMAGE TO PROPERTY.

### **TOOLS AND MATERIALS REQUIRED FOR ASSEMBLY:**

- Two People
- Step Ladder, 8 ft. (2.4 m)
- Wrenches (One) 3/4", (Two) 9/16" and (Two) 1/2" or (Two) Adjustable Wrenches

Toll-Free Customer Service Number for U.S: 1-888-713-5488,

For Canada: 1-800-284-8339,

For Europe: 00 800 555 85234 (Sweden: 009 555 85234),

For Australia: 1-800-333 061

Internet Address: <http://www.huffysports.com>



# SAFETY INSTRUCTIONS



**FAILURE TO FOLLOW THESE SAFETY INSTRUCTIONS MAY RESULT IN SERIOUS INJURY OR PROPERTY DAMAGE AND WILL VOID WARRANTY.**

*Owner must ensure that all players know and follow these rules for safe operation of the system.*

To ensure safety, do not attempt to assemble this system without following the instructions carefully. Check entire box and inside all packing material for parts and/or additional instruction material. Before beginning assembly, read the instructions and identify parts using the hardware identifier and parts list in this document. Proper and complete assembly, use, and supervision are essential for proper operation and to reduce the risk of accident or injury. A high probability of serious injury exists if this system is not installed, maintained, and operated properly.

- If using a ladder during assembly, use extreme caution.
- Two (2) capable adults are recommended for this operation.
- Climate, corrosion, or misuse could result in system failure.
- Minimum operational height is 7'6" (2.3 m) to the bottom of backboard.
- This equipment is intended for home recreational use only and NOT excessive competitive play.
- Read and understand the warning label enclosed with hardware. It is the responsibility of the customer to mount this label. It should be affixed to the pole, wall, or door near playing area, at a height between 4-6 feet (1.22-1.83M) above ground level and in a location visible to all players
- The life of your basketball pole depends on many conditions. The climate, placement of the pole, the location of the pole, exposure to corrosives such as pesticides, herbicides or salts are all important factors.
- If technical assistance is required contact Huffy Sports.
- Serious injury could occur if teeth/face come in contact with backboard, net or rim.
- Adult supervision is recommended when adjusting height.

*Most injuries are caused by misuse and/or not following instructions.  
Use caution when using this system.*

## WARNING

**FAILURE TO FOLLOW THESE WARNINGS MAY RESULT IN SERIOUS INJURY AND/OR PROPERTY DAMAGE.**

Owner must ensure that all players know and follow these rules for safe operation of the unit.

- See instruction manual for proper installation and maintenance.
- Use caution when performing dunk type activities on this unit.
- Do not hang from any part of unit, including backboard, support braces, rim or net.
- Check unit before each use for loose hardware, excessive wear and signs of corrosion and repair before using.
- During play, use extreme caution to keep player's face away from the backboard, rim or net. Serious injury could occur if teeth/face come in contact with backboard, rim or net.
- During play, do not wear jewelry (rings, watches, necklaces, etc.) Objects may entangle in net.

**SURE SHOT**

In the U.S.: 1-888-713-5488

211401 9/97



**Questions or Missing Parts?**

**DON'T go back to store!**

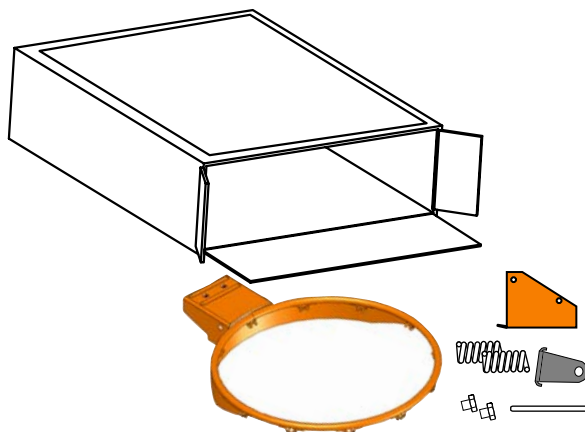
Call TOLL-FREE Customer Service  
Number listed on the front page!

### **NOTICE TO ASSEMBLERS**

**ALL Huffy Sports Basketball Systems, including those used for DISPLAYS, MUST be assembled and ballasted with sand or water according to the instructions. Failure to follow instructions could result in SERIOUS INJURY. It is NOT acceptable to devise a makeshift weight system.**

### **IMPORTANT!**

**Remove all contents from boxes.  
Be sure to check inside pole sections;  
hardware and additional parts are packed inside.**

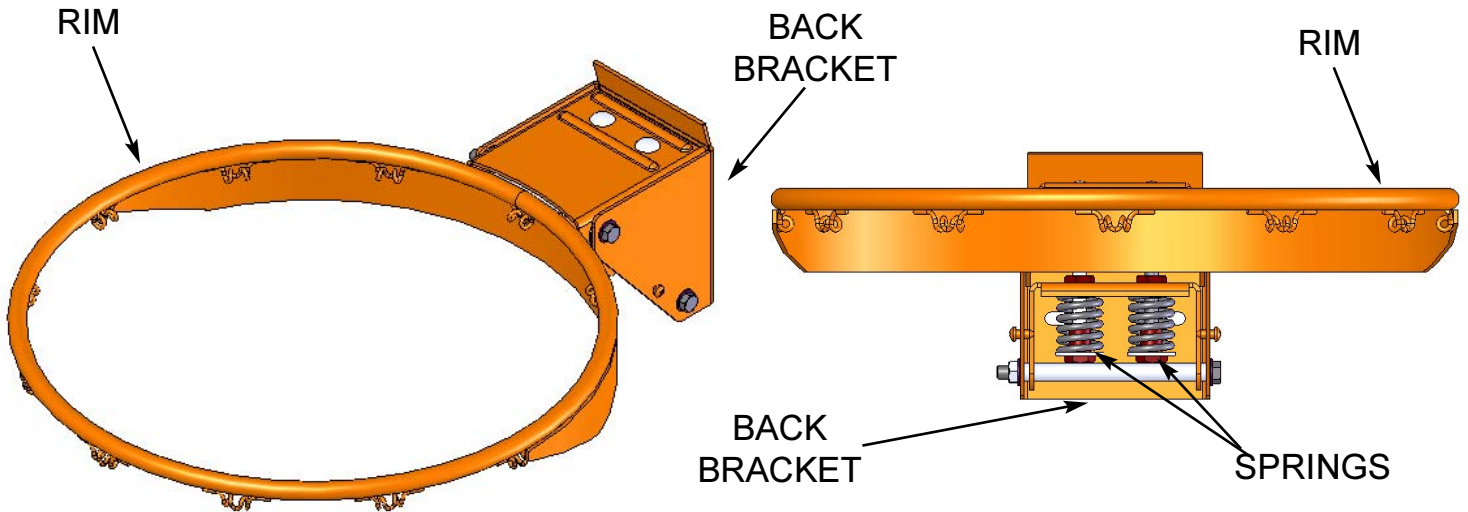


#### **WARRANTY CARD:**

Please remember to complete your product registration form either on-line at:  
**[www.huffysports.com](http://www.huffysports.com)** or mail-in the enclosed postcard.

For more information on assembly, placement, proper use, and maintenance, visit The American Basketball Council website at <http://www.smarthoops.com>.

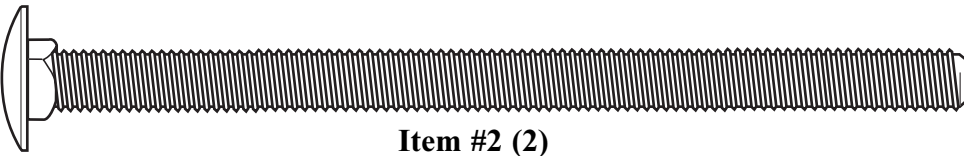
**Get to know the basic parts of your basketball system.....**



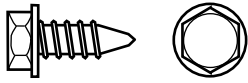
**PARTS LIST - See Hardware Identifier**

<u>Item</u>	<u>Qty.</u>	<u>Part No.</u>	<u>Description</u>
1	1		Rim
2	2	202604	Bolt, Carriage 3/8 x 4.75" Long
3	2	203474	Washer, Flat, 1" O.D.
4	2	203017	Hex Nut, 3/8"
5	2	203063	Nylon Lock-Nut, 3/8"
6	8	203232	Washer, 3/4" O.D.
7	2	200484	Spring, Zinc
8	2	202601	Washer, Flat
9	2	202602	Lock Washer
10	2	202523	Spacer
11	2	203439	Bolt, Hex, 3/8 x 6" Long
12	2	220140	Screw, Self-Tapping
13	1	908087	Back Bracket - Red
14	1	108085	Inner Bracket - Zinc
15	1	918086	Cover Plate - Red
16	4	201611	Bolt, Hex, 5/16-18 x 3" Long
17	4	203100	Whiz Nut, 5/16"
18	1	204290	Net
19	1	202655	Label, Logo
20	2	202636	Special Nut, Locking
21	2	203795	Special Nut
22	2	202603	Nylon Washer
23	1	202531	Tension and Leveling Label

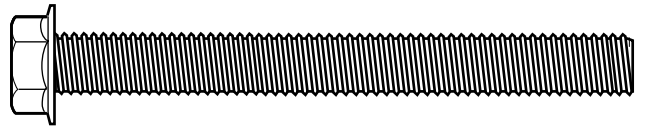
## HARDWARE IDENTIFIER (BOLTS & SCREWS)



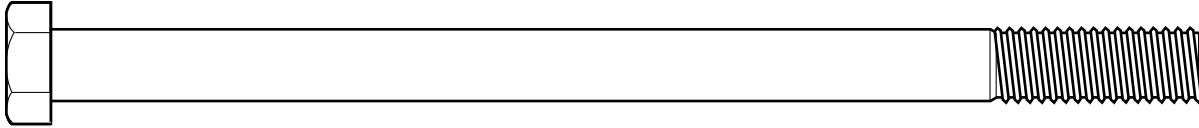
Item #2 (2)



Item #12 (2)

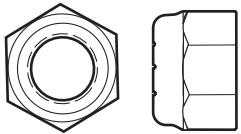


Item #16 (4)

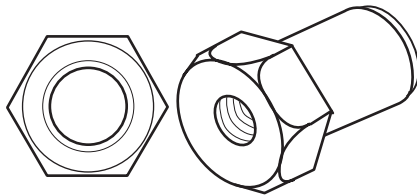


Item #11 (2)

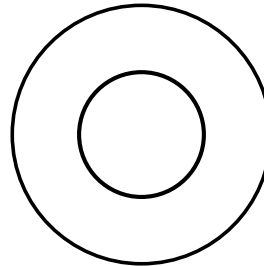
## HARDWARE IDENTIFIER (NUTS & WASHERS)



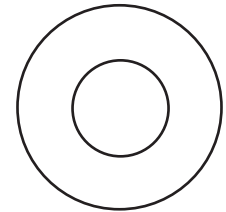
Item #5 (2)



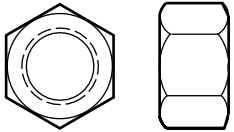
Item #21 (2)



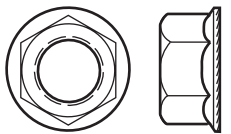
Item #8 (2)



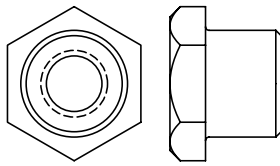
Item #3 (2)



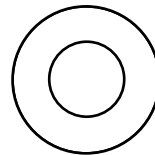
Item #4 (2)



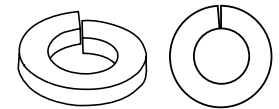
Item #17 (4)



Item #20 (2)



Item #6 (8)

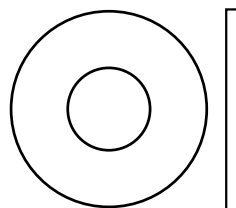
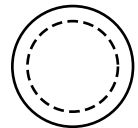


Item #9 (2)

## HARDWARE IDENTIFIER (METAL SPACERS & NYLON WASHERS)

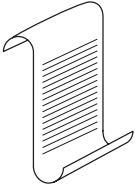


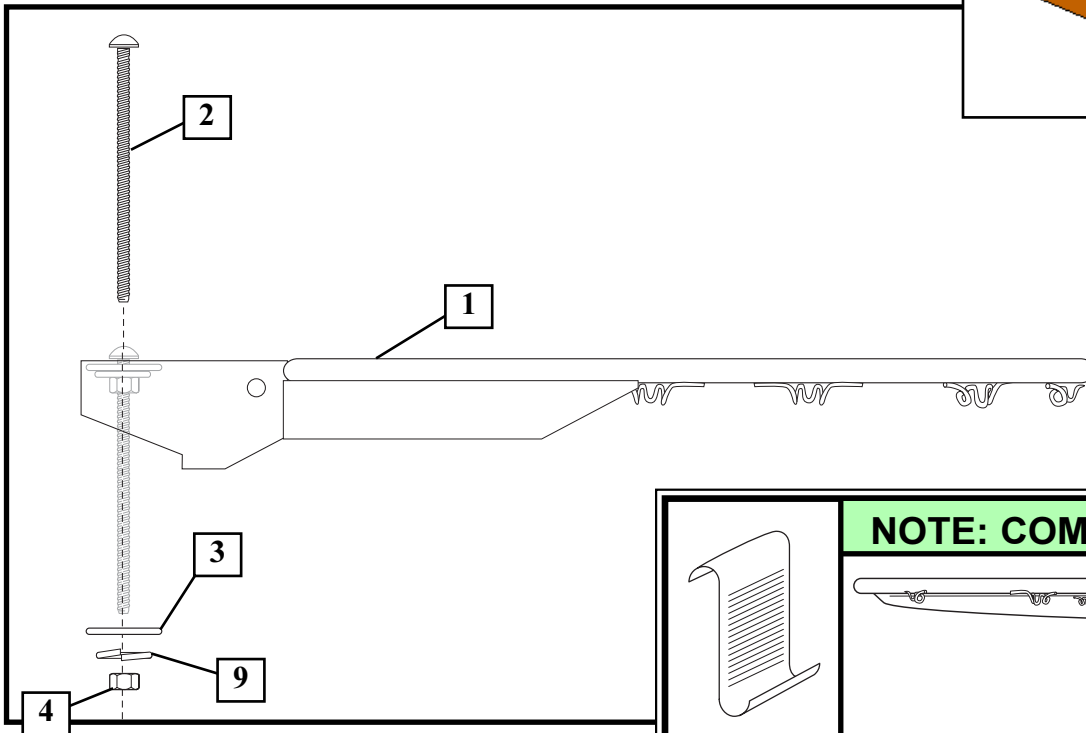
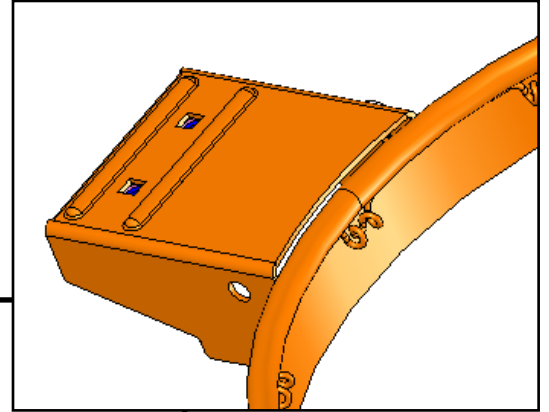
Item #10 (2)

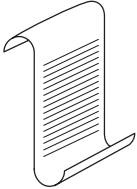
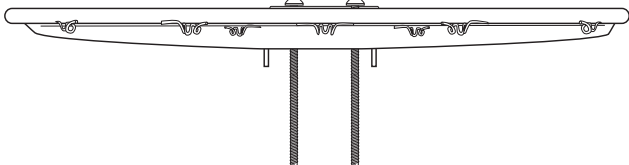


Item #22 (2)

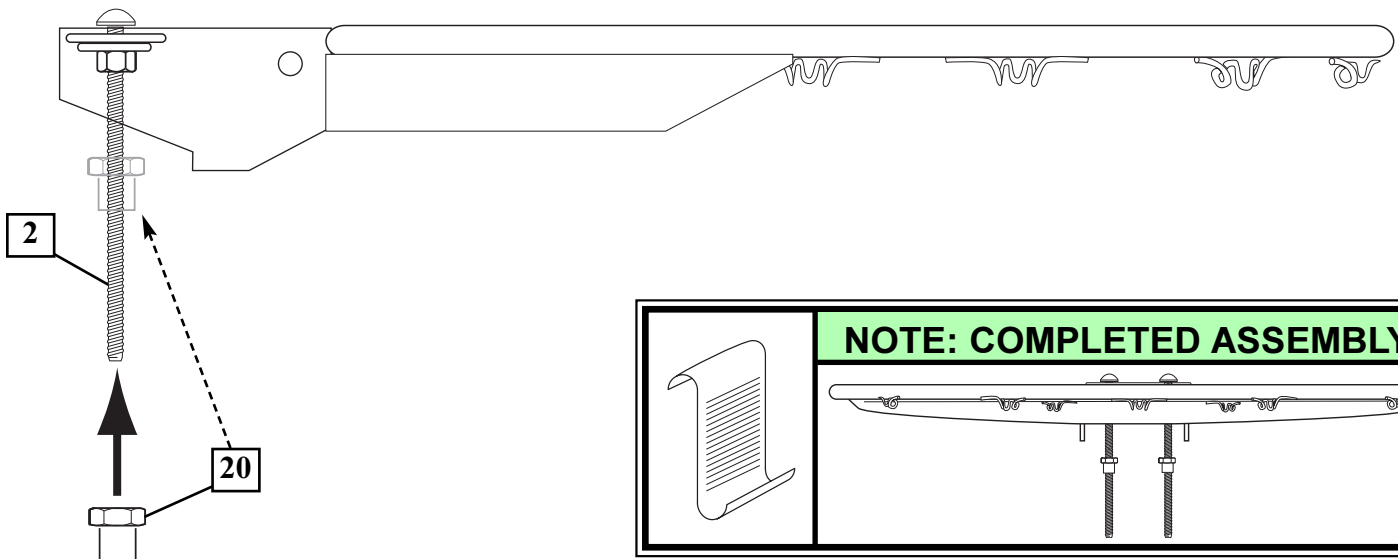
1. Install two carriage bolts (2) through rim (1), washers (3), and lock washers (9) as shown. Tighten nuts (4) completely.

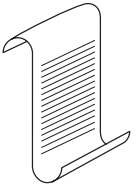
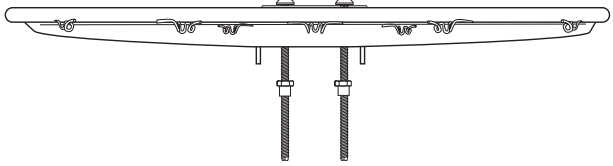
	<b>NOTE:</b> Perform this step twice as it is applied to both holes of rim bracket shown
---	---



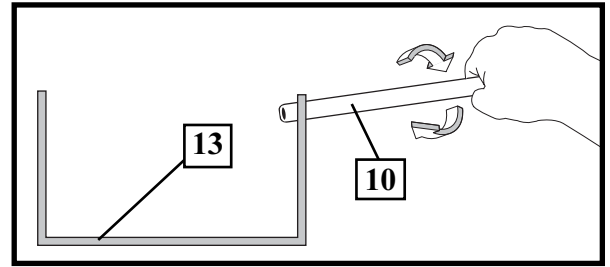
	<b>NOTE: COMPLETED ASSEMBLY:</b> 
---	--

2. Place a special locking nut (20) approximately half-way up on each carriage bolt (2) as shown. Keep the two special locking nuts (20) at the same level.



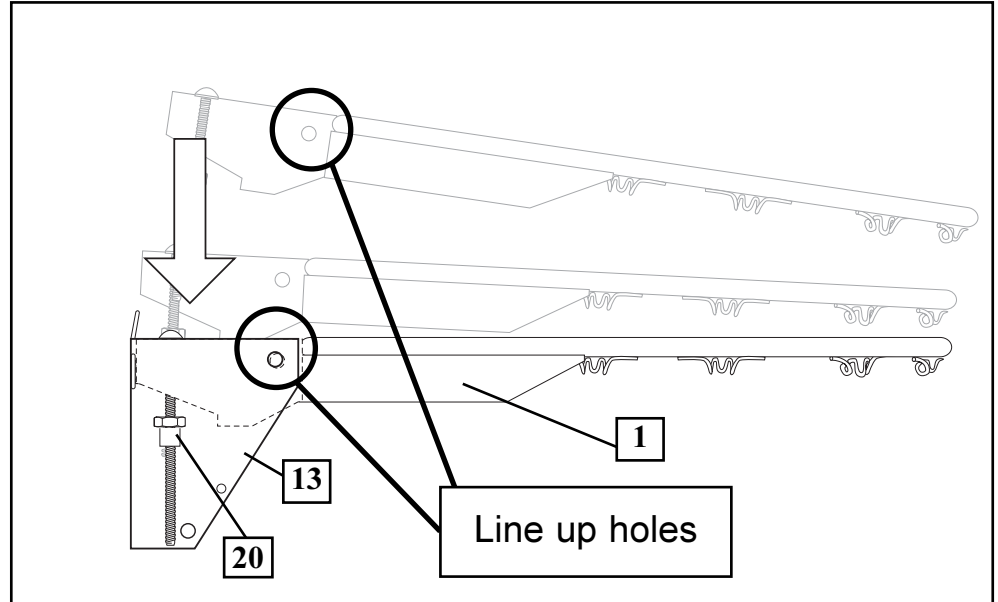
	<b>NOTE: COMPLETED ASSEMBLY:</b> 
---	--

**3a.** First, test fit spacer (10) into back bracket (13) and Carefully rock in a circular motion to ream out any excess paint from holes *if necessary*.



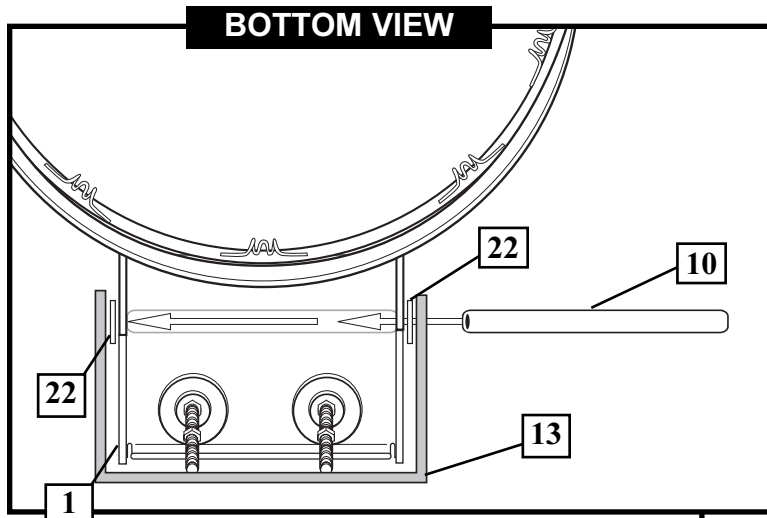
**3b.**

Place rim (1) into back bracket (13) so that the holes are properly aligned.

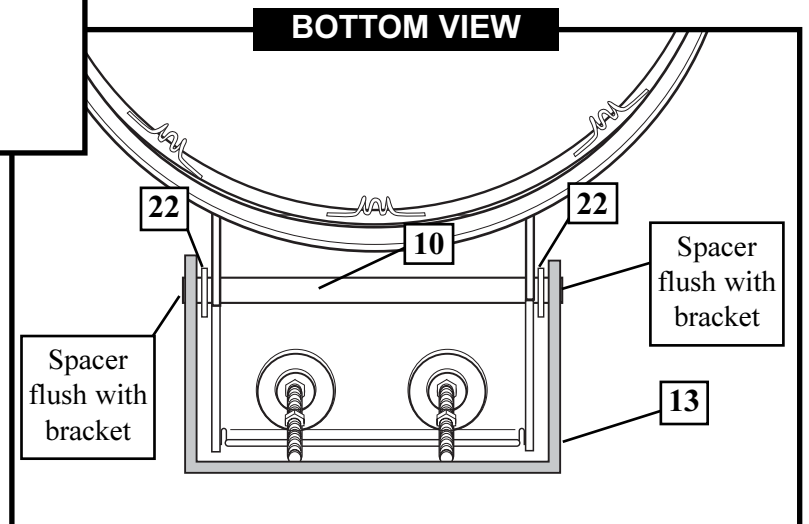


**3c.**

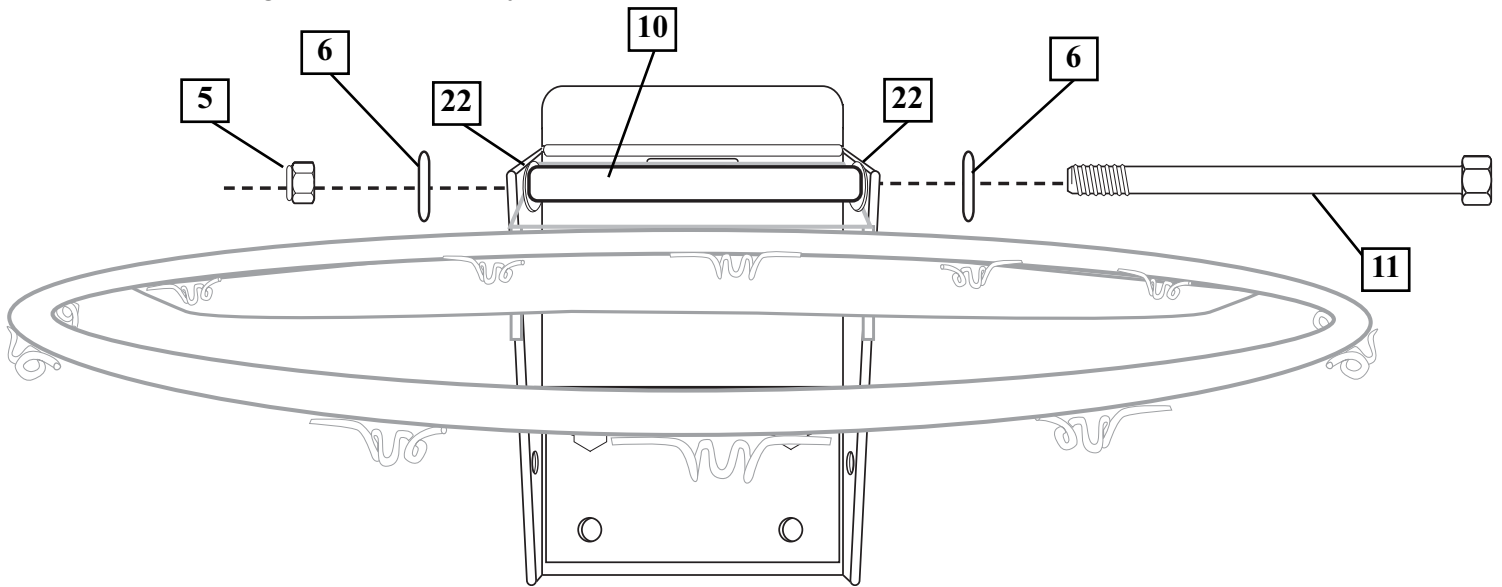
Then, insert spacer (10) through back bracket (13), nylon washers (22) and rim assembly (1).



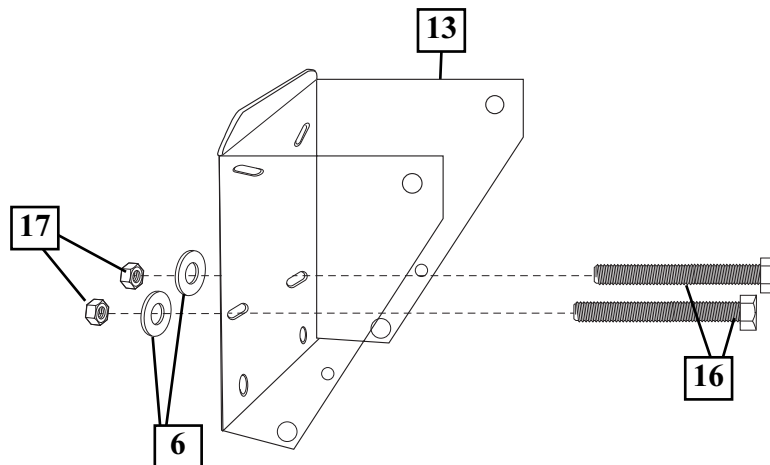
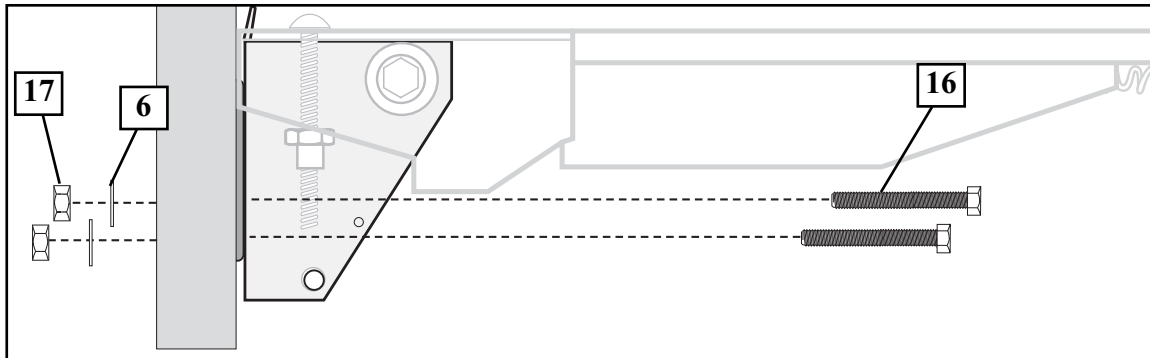
	<b>NOTE:</b>
	Ends of spacer (10) should be flush on both sides of board bracket (13).



- 4.** Install bolt (11) through top holes on bracket (13) using washers (6) and nut (5) as shown. Tighten completely.

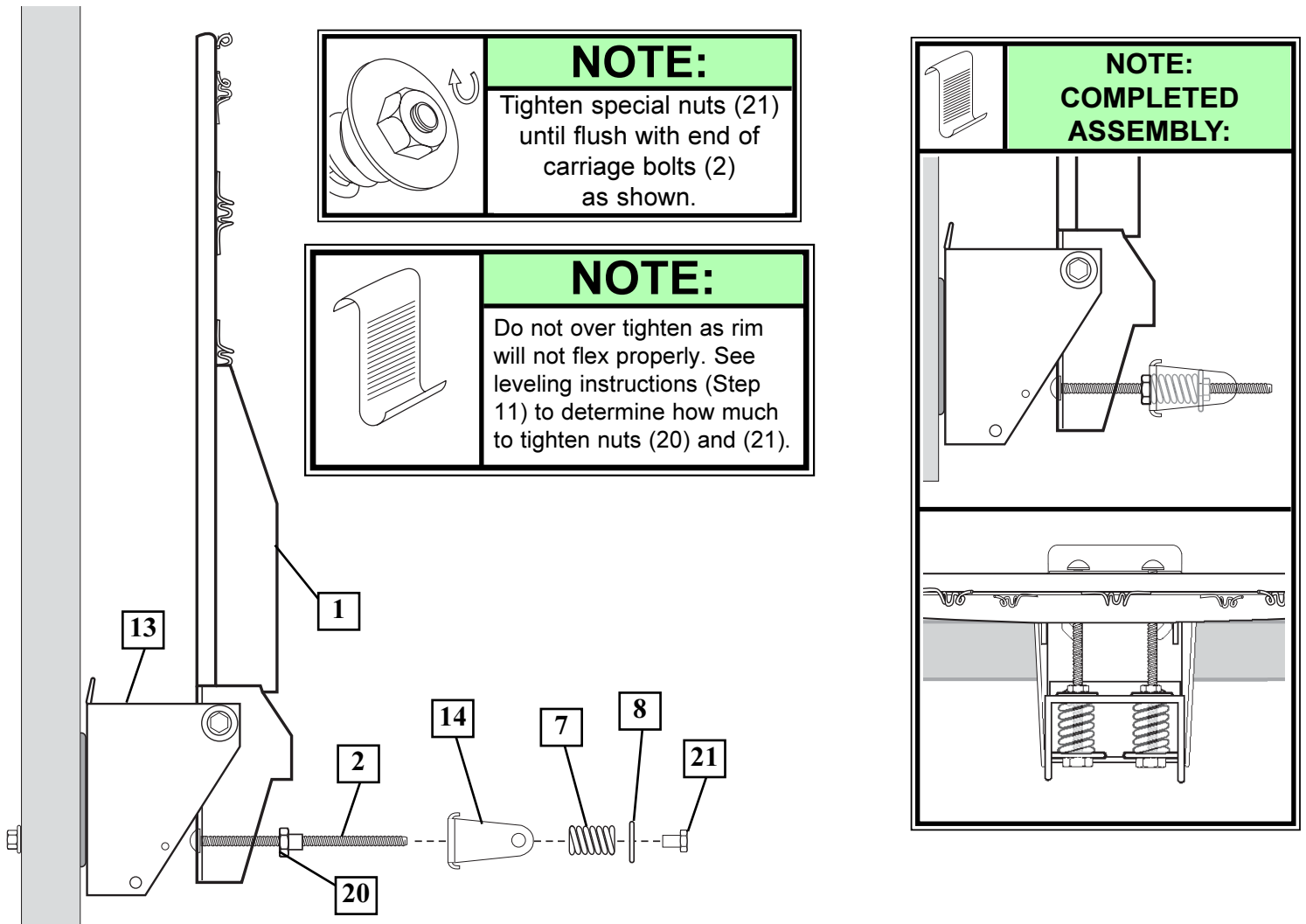


- 5.** Attach rim assembly to backboard and support structure by inserting bolts (16) through bottom holes in back bracket (13). Secure with nuts (17) and washers (6). Tighten nuts (17) completely.

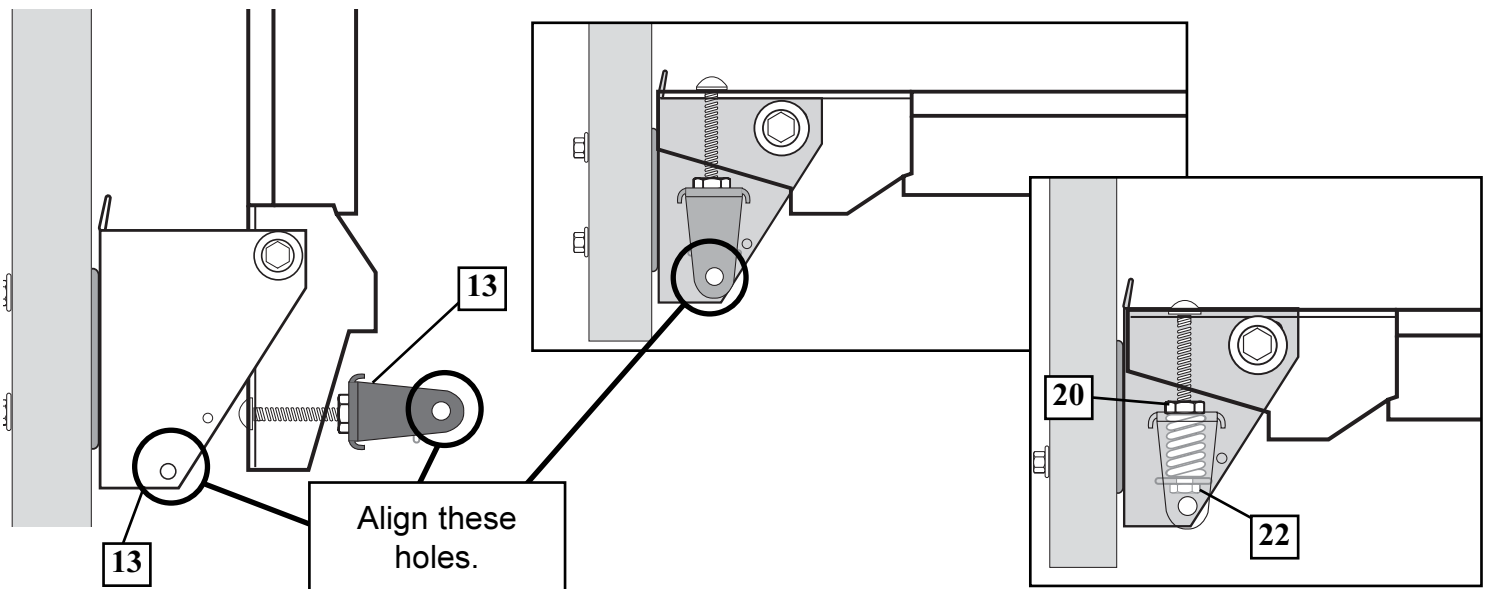




- 6.** Position rim assembly (1) 90 degrees to back bracket (13) as shown. Place inner-bracket (14) over both carriage bolts (2) followed by springs (7), washers (8) and special nuts (21).

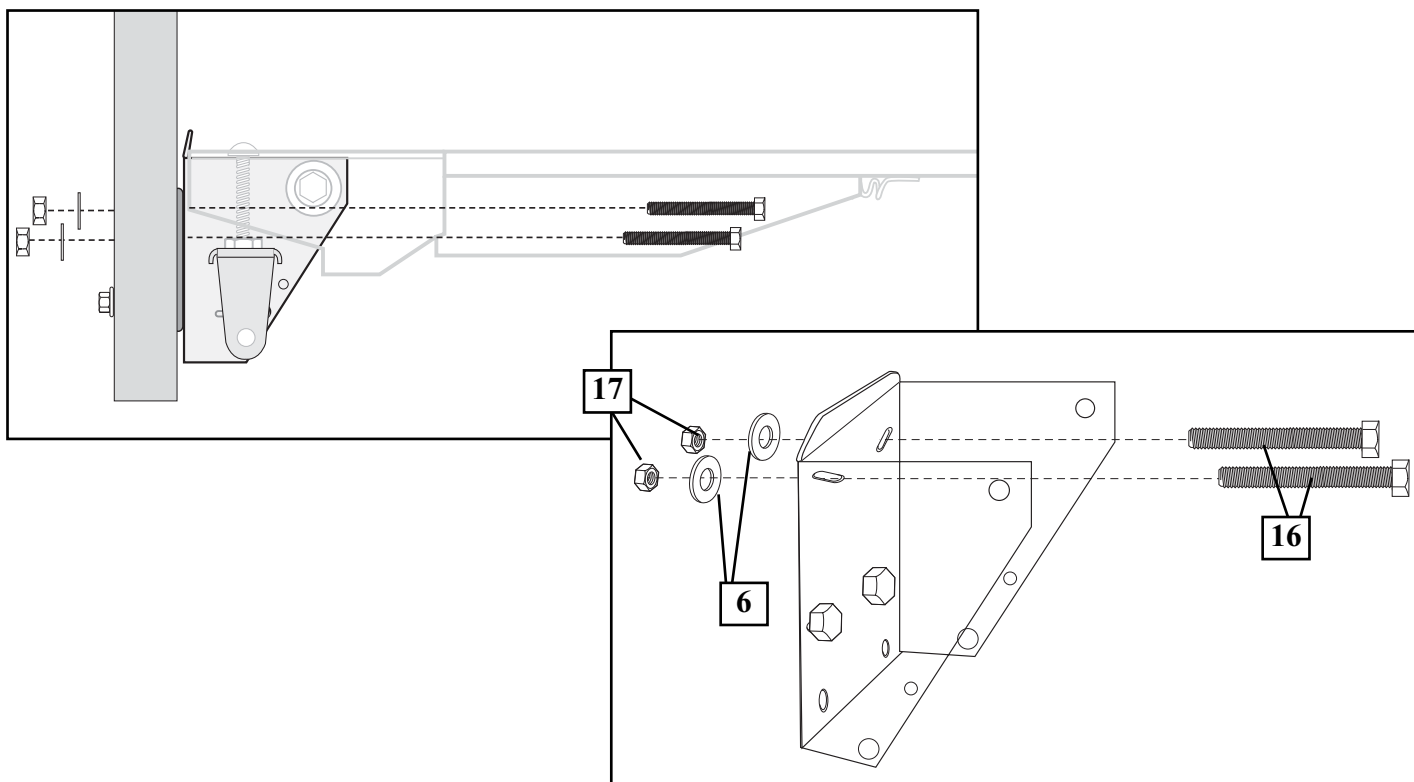


- 7.** Lower lower rim down. Holes in inner bracket (14) should line up with holes in backboard bracket (13). If not, adjust special locknuts (20 & 22) until holes are aligned.



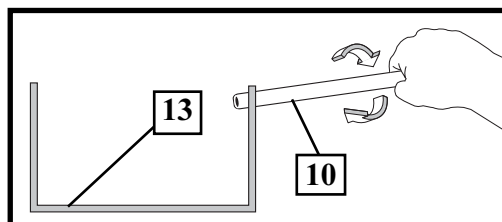
# 8.

Secure back bracket (13) fully to backboard by inserting bolts (16) through upper holes in back bracket (13), Add washers (6) and nuts (17) to bolts (16). Tighten nuts (17) completely.

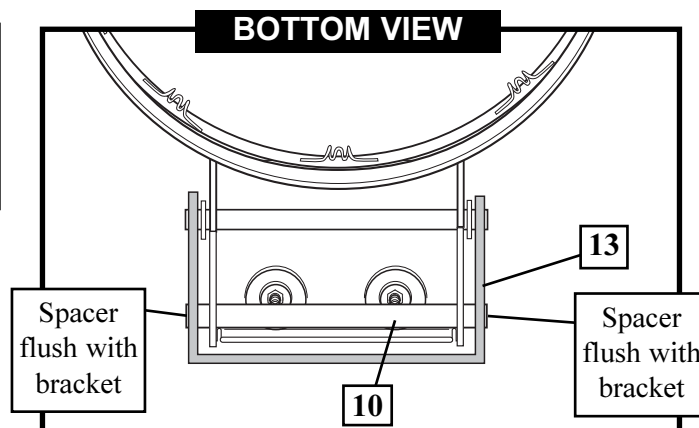


# 9.

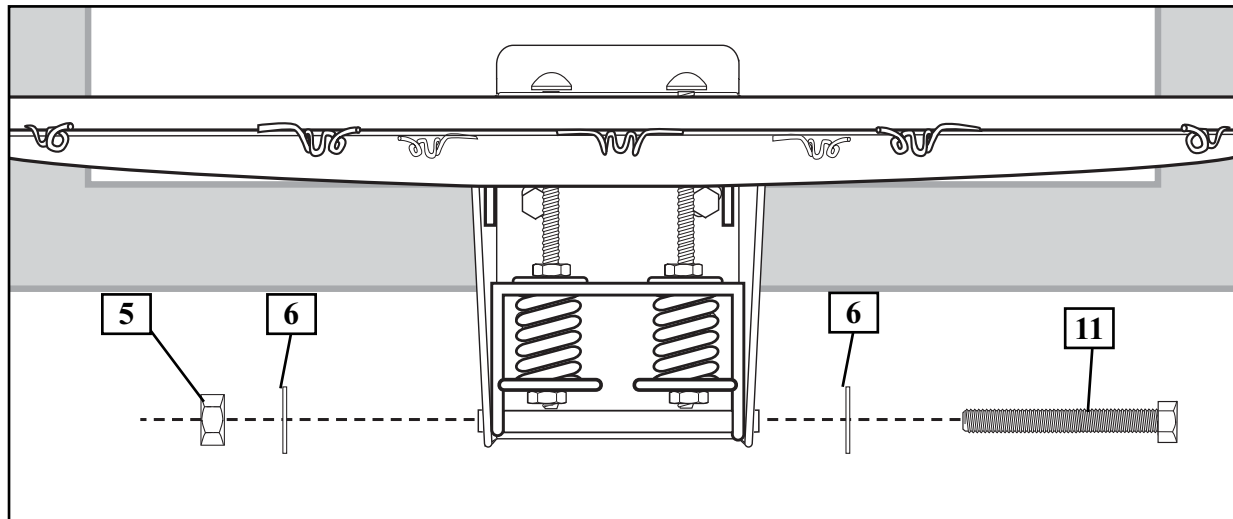
First, test fit spacer (10) into back bracket (13) and Carefully rock in a circular motion to ream out any excess paint from holes *if necessary*. Insert spacer (10) through bottom holes in board bracket (13) and inner bracket (14).



	<b>NOTE:</b>
	Ends of spacer (10) should be flush on both sides of board bracket (13).

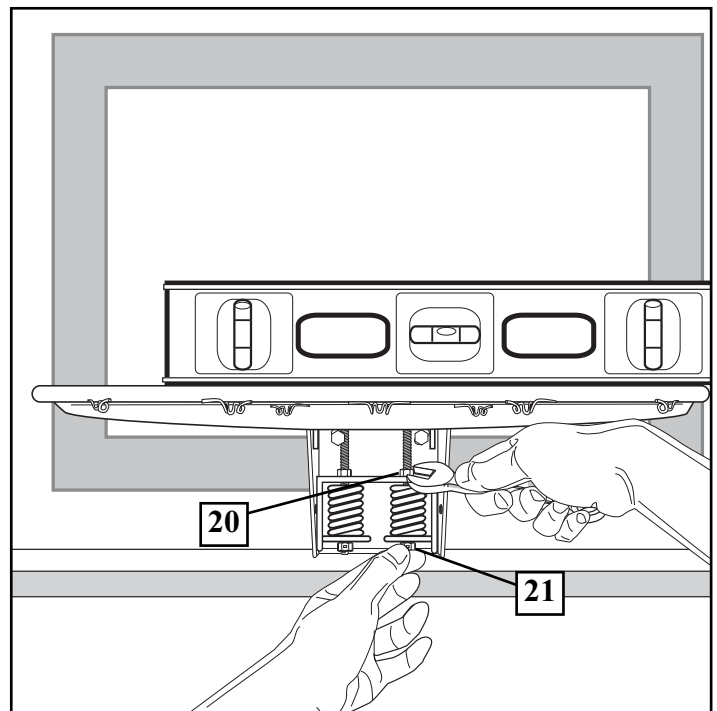
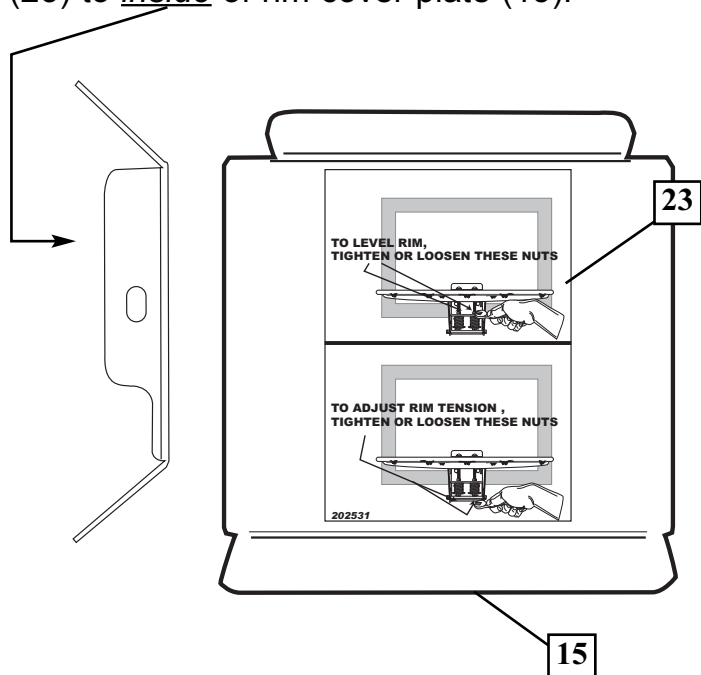


- 10.** Then, install bolt (11), washers (6), and nut (5) through spacer (10) and tighten completely.



## 11. LEVELING AND TENSION ADJUSTING INSTRUCTIONS:

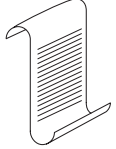
Adhere leveling and tension adjusting label (23) to *inside* of rim cover plate (15).



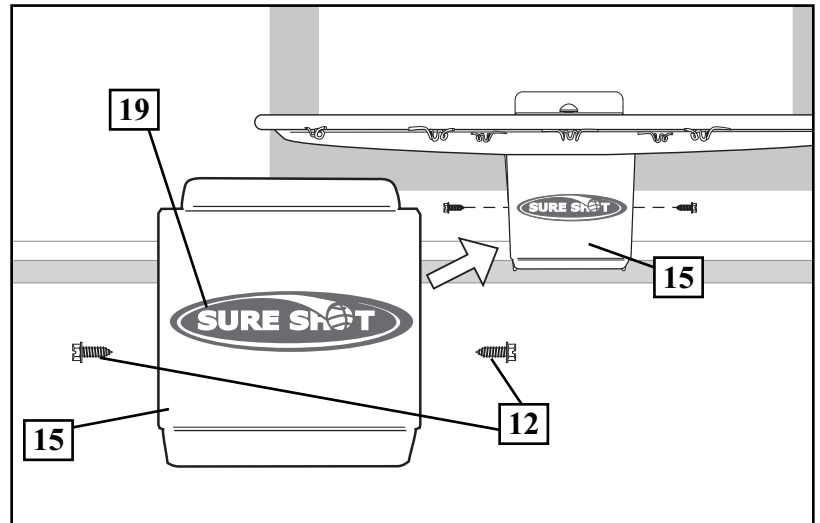
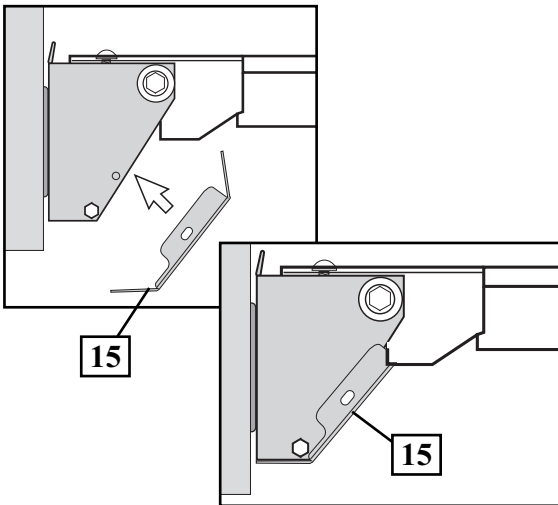
Place level on rim (1) and adjust nut (20) until level. Tighten nut (21) to set rim tension for playing.

# 12.

Apply logo label (19) to cover plate (15). Install cover plate (15) on rim (1) using self tapping screws (12) as shown (note orientation of cover plate).

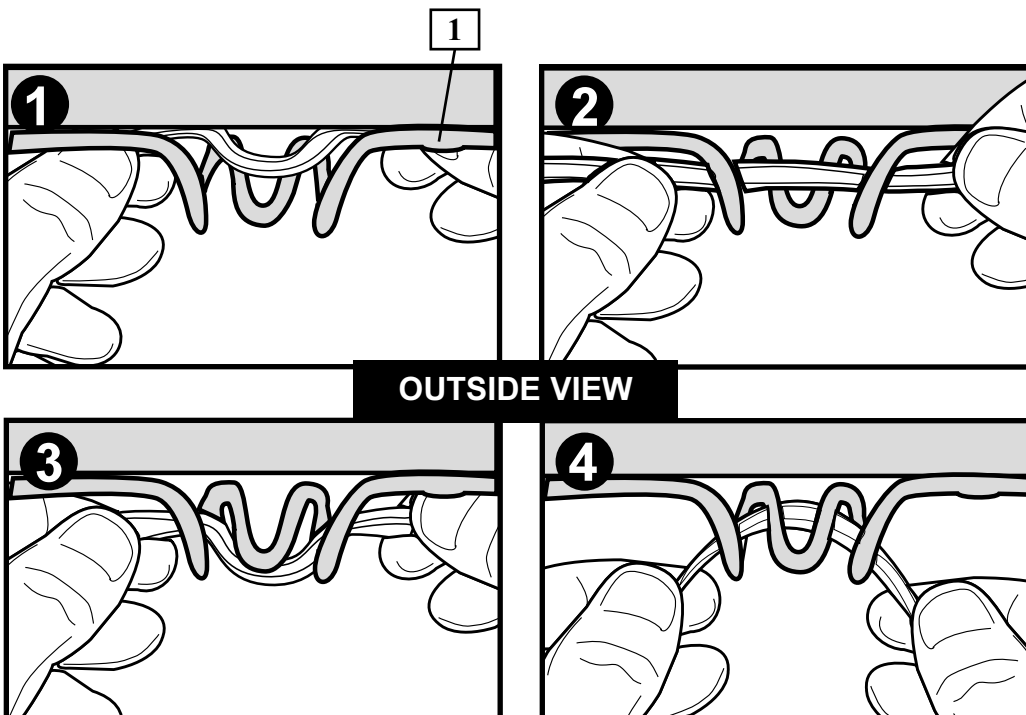


**NOTE:**  
Cover plate (15) will fit over back bracket.

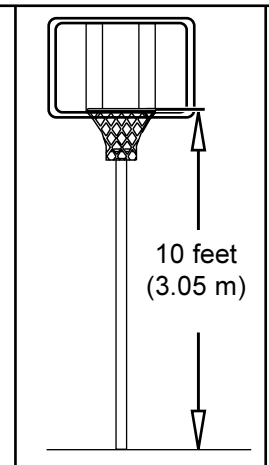


# 13.

Secure net (18) to rim (1).



**NOTE:** Official rim height is 10-0' (3.05 m) from top of rim to playing surface.



## Free Manuals Download Website

<http://myh66.com>

<http://usermanuals.us>

<http://www.somanuals.com>

<http://www.4manuals.cc>

<http://www.manual-lib.com>

<http://www.404manual.com>

<http://www.luxmanual.com>

<http://aubethermostatmanual.com>

Golf course search by state

<http://golfingnear.com>

Email search by domain

<http://emailbydomain.com>

Auto manuals search

<http://auto.somanuals.com>

TV manuals search

<http://tv.somanuals.com>