

IMPORTANT! In U.S. and Canada only: Have questions?...don't go back to the store!

We appreciate your purchasing one of our many fine products. We are sure that you will be very satisfied with your selection. Although great care and effort have been taken, occasionally problems may occur. To ensure prompt and correct handling of any problems, or to answer any questions, please contact our Toll-Free Customer Service Number listed below. Service will be quicker if you have your Model Number (found on carton) and assembly instructions ready when calling. PLEASE WRITE YOUR MODEL NUMBER IN THE SPACE PROVIDED ABOVE.

SAFETY INSTRUCTIONS

FAILURE TO FOLLOW THESE SAFETY INSTRUCTIONS MAY RESULT IN SERIOUS INJURY, PROPERTY DAMAGE AND WILL VOID WARRANTY.

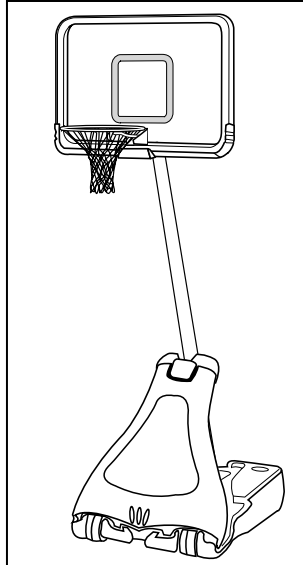
Owner must ensure that all players know and follow these rules for safe operation of the system.

To ensure safety, do not attempt to assemble this system without following the instructions carefully. Proper and complete assembly, use and supervision is essential for proper operation and to reduce the risk of accident or injury. A high probability of serious injury exists if this system is not installed, maintained, and operated properly. Check entire box and inside all packing material for parts and/or additional instructional material. **Before beginning assembly, read the instructions and identify parts using the hardware identifier and parts list in this document.**

- If using a ladder during assembly, use extreme caution.
- Two (2) people are recommended for this operation.
- Check base regularly for leakage. Slow leaks could cause system to tip over unexpectedly.
- Seat the pole sections properly (if applicable). Failure to do so could allow the pole sections to separate during play and/or transport of the system.
- Climate, corrosion or misuse could result in system failure.
- Minimum operational height is 6' 6" (1.98 m) to the bottom of backboard.
- This equipment is intended for home recreational use only and NOT excessive competitive play.
- Read and understand the warning label affixed to pole. Label is shown to the right.
- The life of your basketball pole depends on many conditions. The climate, placement of the pole, the location of the pole, exposure to corrosives such as pesticides, herbicides or salts are all important.
- If technical assistance is required, contact Huffly Sports.
- Adult supervision is recommended when adjusting height.

Most injuries are caused by misuse and/or not following instructions. Use caution when using this system.

For more information on assembly, placement, proper use and maintenance, visit The American Basketball Council website at <http://www.smarthoops.com>.



REQUIRED TOOLS AND MATERIALS:

- Two People
- Tape Measure
- Wood Board (Scrap)
- Wrenches: (Two) 7/16", 1/2", 9/16", 3/4" or Large and Small Adjustable Wrenches
- Safety Goggles
- Sawhorse or Support Table
- Step Ladder 8 ft. (2.4 m)
- Garden Hose or Sand (225 lb.) (102 kg)
- Hammer
- Tape
- Phillips Head Screw Driver

NOTICE TO ASSEMBLERS

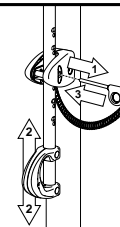
ALL Huffly Sports basketball Systems, including those used for **DISPLAYS**, **MUST** be assembled and ballasted with sand or water according to instructions. Failure to follow instructions could result in **SERIOUS INJURY**. It is **NOT** acceptable to devise a makeshift weight system.

54

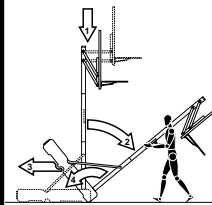
HEIGHT ADJUSTMENT

TO ADJUST BACKBOARD:

1. While holding handle, remove pin.
2. Move elevator up or down to desired height.
3. Replace pin full length to lock system at desired height.



MOVING SYSTEM



1. Adjust basketball backboard height to lowest position.
2. While holding pole, rotate basketball system forward until wheels engage with ground.
3. Move basketball system to desired location.
4. Carefully rotate basketball system upright.
5. Reattach ground restraint and check system for stability.

201252 2/99

TUFF STUFF® and associated trademarks are owned and used with permission of Mattel, Inc. Huffly products are not sponsored, endorsed or authorized in any way by Mattel, Inc. or any of its affiliated or subsidiary companies.

WARNING

FAILURE TO FOLLOW THESE WARNINGS MAY RESULT IN SERIOUS INJURY AND/OR PROPERTY DAMAGE.

Owner must ensure that all players know and follow these rules for safe operation of the system.

- DO NOT HANG on the rim or any part of the system including backboard, support braces or net.
- During play, especially when performing dunk type activities, keep player's face away from the backboard, rim and net. Serious injury could occur if teeth/face come in contact with backboard, rim or net.
- Do not slide, climb, shake or play on base and/or pole.
- After assembly is complete, fill system completely with water or sand and stake to the ground. Never leave system in an upright position without filling base with weight, as system may tip over causing injuries.
- When adjusting height or moving system, keep hands and fingers away from moving parts.
- Do not allow children to move or adjust system.
- During play, do not wear jewelry (rings, watches, necklaces, etc.). Objects may entangle in net.
- Surface beneath the base must be smooth and free of gravel or other sharp objects. Punctures cause leakage and could cause system to tip over.
- Keep organic material away from pole base. Grass, litter, etc. could cause corrosion and/or deterioration.
- Check pole system for signs of corrosion (rust, pitting, chipping) and repaint with exterior enamel paint. If rust has penetrated through the steel anywhere, replace pole immediately.
- Check system before each use for proper ballast, loose hardware, excessive wear and signs corrosion and repair before use.
- Check system before each use for instability.
- Do not use system during windy and/or severe weather conditions; system may tip over. Place system in the storage position and/or in an area protected from the wind and free from personal property and/or overhead wires.
- Never play on damaged equipment.
- See instruction manual for proper installation and maintenance.
- When moving system, use caution to keep mechanism from shifting.
- Keep pole top covered with cap at all times.
- Do not allow water in tank to freeze. During sub-freezing weather add non-toxic antifreeze, sand or empty tank completely and store. (Do not use salt.)
- Use extreme caution if placing system on sloped surface. System may tip over more easily.

HUFFY SPORTS

In the U.S.: 1-800-558-5234 and Canada: 1-800-284-8339

201241 2/99

Toll-Free Customer Service Number for U.S: 1-800-558-5234, for Canada: 1-800-284-8339, for Europe: 00 800 555 85234 (Sweden: 009 555 85234), for Australia: 1-800-333 061 - Internet Address: <http://www.huffysports.com>



1. Insert axle (2) into tank (1) as shown to secure wheel (3) and eyebolt (57) into position. Repeat procedure for opposite side.
 2. Position front cover (47) on top of tank (1) as shown, insert eye bolts (57) through cover, snapping front cover over axles (2) at the same time. Tighten completely.
 3. Mark pole sections with tape as shown.
 4. Bounce top pole section (4) and middle section (5) together as shown until they no longer move toward taped reference mark. Upright assembly. **NOTE:** Pole sections should have a 3-1/2" (9 cm) overlap minimum.
 5. **IMPORTANT! Holes in top (4) and bottom pole (6) sections must align to correctly position elevator system toward playing surface.** Add bottom pole section (6) to assembly as shown and bounce until they no longer move toward taped reference mark. **NOTE:** Pole sections should have a 3 1/2" (9 cm) overlap minimum.
 6. Insert bolts (7) into bracket (9) as shown. Install bolt (14) through bracket (9) and bottom pole section (6) and secure with nut (12) as shown.
 7. Carefully tip unit forward and secure pole assembly to tank (1) with washers (13) and nuts (16) as shown.
 8. Install rod (11) through bottom pole section (6) as shown. Install eye bolts (8) onto rod (11) as shown.
 9. Secure cover (47) to rod (11) using washers (55) nuts (10) and bolt covers (15) as shown.
 10. Install pole mount bracket (17) and reinforcement bracket (58) with carriage bolts (18) as shown. Tighten flange nuts (16) completely.
 11. Attach spacers (22, 23) to pole mount bracket (17) with bolts (21), washers (19), and nuts (20) as shown. **IMPORTANT! Tighten just until washers (19) stop moving.**
 12. Attach covers (24) onto pole mount bracket (17) with carriage bolt (25) and nut (16) as shown. **IMPORTANT! Loop end of pin lanyard (27) over carriage bolt (25) during this assembly.** **NOTE:** Assemble lanyard (27) to locking pin (26) as shown.
 13. Apply logo and height indicator labels (29) to adjustment rod (28) as shown. Attach handle parts (32, 33) to adjustment rod with screw (31), carriage bolts (30), and flange nuts (16) as shown. **IMPORTANT! Indicator labels should be applied as close to holes as possible to prevent labels from being damaged during height adjustment.**
 14. Insert handle assembly through pole mount assembly as shown. Lock pole assembly in place at the 10' (3.05 m) mark with pin (26).
 15. Attach backboard support brackets (35) to the backboard frame using bolts (21), spacers (36), washers (55) and nuts (20) as shown.
 16. Attach lower elevator tubes (40) and counter balance spring (41) to backboard support brackets (35) using spacers (34), bolt (37), and nut (39) as shown. **NOTE:** Rim mounting nuts and bolts (56) supplied with rim hardware. **NOTE:** DO NOT use washers here on spring return style rims.
 17. Install cover (60) over spring return mechanism as shown.
 18. Attach upper elevator tubes (43) to backboard support brackets (35) using spacers (34), bolt (58), and nut (39) as shown.
 19. Install net clips (50) to rim (42). See Illustration.
 20. Install net (51). See Illustration.
 21. Support pole on sawhorse. Attach backboard assembly to top pole section (4) as shown. Install pole cap (46). **NOTE:** Two people are recommended for this step. Use caution; elevator assembly is heavy.
 22. Install upper elevator tubes (43) to triangle plates (45) as shown. Install handle assembly to lower elevator tubes (40) using bolt (37), spacers (44), and nut (39) as shown. **NOTE:** Before going on to next step, set adjustable system assembly to the 10' (3.05 m) setting.
 23. Insert bolt (37) through left side upper elevator tube (43), then stretch spring (41) onto bolt (37). Insert bolt (37) through right side upper elevator tube (43) and secure with nut (39).
- ▲ WARNING: USE EYE PROTECTION WHEN INSTALLING SPRINGS.**
24. Roll completed assembly to desired position. Fill tank with water (approx. 28 gallons (106 Liters)) or sand (approx. 225 lbs. (102 kg)) and snap cap (49) in place. Secure assembly to ground using rope (52) and tie down stake (53). **IMPORTANT! Add two gallons (7.6 Liters) of non-toxic antifreeze in sub-freezing climates.**
- ▲ WARNING: DO NOT LEAVE ASSEMBLY UNATTENDED WHEN EMPTY, MAY TIP OVER.**
25. Apply height adjustment and moving label (54) to front of pole as shown.
- ▲ WARNING: DO NOT ALLOW CHILDREN TO ADJUST HEIGHT.**
26. While holding handle, remove pin (26).
 27. Move elevator up or down to desired height.
 28. Replace pin (26) full length to lock system at desired height.

HARDWARE IDENTIFIER - See Hardware Identifier

<u>Item</u>	<u>Qty.</u>	<u>Part No.</u>	<u>Description</u>	<u>Item</u>	<u>Qty.</u>	<u>Part No.</u>	<u>Description</u>
1	1	206620	Tank	31	1	204803	Screw, Phillips Head
2	2	203451	Wheel Axle, 13-5/8 Long	32	1	204855	Handle, Left
3	2	204447	Wheel, 6" (Black)	33	1	204856	Handle, Right
4	1	908408	Top Pole Section	34	4	201683	Spacer, .530 I.D. x 1.5 Long
5	1	900897	Middle Pole Section	35	2	200964	Bracket, Backboard Support
6	1	908406	Bottom Pole Section	36	2	200874	Spacer, Steel .402 I.D. x .5 O.D. x 1.5 Long
7	4	203223	Bolt, Carriage 5/16-18 x 1	37	6	206244	Bolt, Hex Head, 1/2-13 x 8 Long
8	2	206934	Large Eyebolt, 3/8"	38	4	201642	Spacer, Plastic, .530 I.D. x .625 Long
9	1	201581	Pole Mount Bracket	39	7	206340	Lock Nut, Hex Head, 1/2-13
10	2	203063	Nylon Insert Lock Nut, 3/8-16	40	2	904820	Elevator Tube, Lower - Long
11	1	206634	Rod, 1/2 x 9-1/2 Long	41	1	204837	Spring, Counter Balance
12	1	203099	Nut, Ny-lock, 5/16-18	42	1		Rim
13	6	203218	Washer, 5/16 Flat	43	2	904808	Elevator Tube, Upper - Short
14	1	202662	Bolt, Hex Head, 5/16-18 x 4-1/2 Long	44	2	201682	Spacer, .530 I.D. x 1.875
15	2	200341	Bolt Cover	45	2	900867	Plate, Triangle, (Black)
16	11	203100	Hex Flange Nut 5/16-18	46	1	207103	Cap, Pole Top
17	1	204832	Bracket, Pole Mount	47	1	206002	Front Cover
18	2	203053	Carriage Bolt, 5/16-18 x 4 Long	48	1	202856	Bolt, Hex, 1/2-13 x 4 Long
19	4	203232	Washer, Metal, 3/4" O.D.	49	1	206219	Plug, Tank Cap
20	4	201124	Lock Nut, 3/8-16	50	12*	201219	Net Clip, (White)
21	4	206360	Bolt, Hex Head, 3/8-16 x 2-5/8 Long	51	1	204290	Net
22	2	204858	Spacer, Plastic Biscuit	52	1	204444	Black Nylon Rope
23	2	204857	Spacer, Metal 1/2" O.D. x 1.44 Long	53	1	203124	Stake, Tie Down
24	2	204859	Cover, Pin Slide	54	1	201252	Label, Height Adjustment and Moving
25	1	203038	Carriage Bolt, 5/16-18 x 2-3/4 Long	55	6	203309	Washer, .406 I.D. x 1 O.D. Flat
26	1	204850	Pin, Locking	56	4*	205528	Bolt, Hex Flange, 5/16-18 x 1 Long
27	1	204853	Lanyard, Black Coil	57	2	203452	Small Eye Bolt, 5/16-18
28	1	904833	Height Adjustment Rod	58	1	206990	Reinforcement Bracket
29	1	204872	Label, Height Indicator	59	2	200520	Screw, #8 x 1/2
30	2	203103	Carriage Bolt, 5/16-18 x 2 Long	60	1	200503	Cover, Black
				61	4	201681	Spacer, Plastic, .530 I.D. x .88 Long

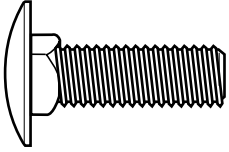
WARRANTY CARD:

Please remember to complete your product registration form either on-line at:
www.huffysports.com/warrantycard
 or mail-in the enclosed postcard.

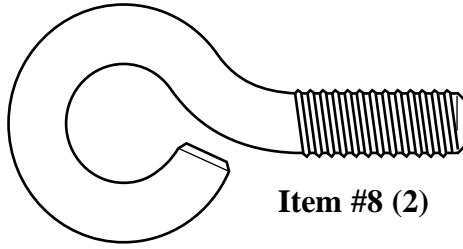
WARNING: IF YOUR SYSTEM IS EQUIPPED WITH AN ACRYLIC BACKBOARD, EXAMINE BACKBOARD FOR ANY DAMAGE THAT MAY HAVE OCCURRED DURING SHIPMENT. CRACKS IN THE BACKBOARD COULD RESULT IN SUDDEN BREAKAGE. IF BACKBOARD IS DAMAGED IN ANY WAY PRIOR TO OR AFTER ASSEMBLY, CALL TOLL-FREE NUMBER FOR FREE REPLACEMENT:
 U.S. 1-800-558-5234; CANADA: 1-800-284-8339; <http://www.huffysports.com>

* YOU MAY HAVE EXTRA PARTS WITH THIS MODEL.

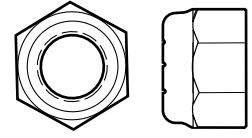
HARDWARE IDENTIFIER



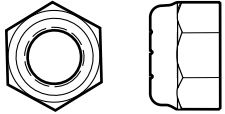
Item #7 (4)



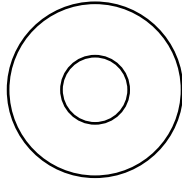
Item #8 (2)



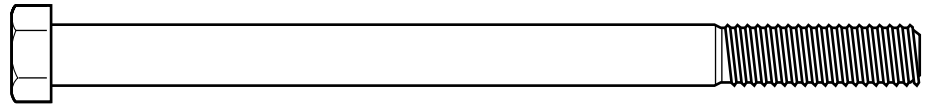
Item #10 (2)



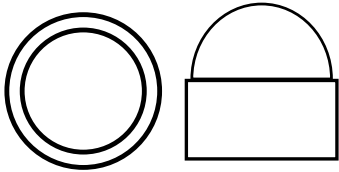
Item #12 (1)



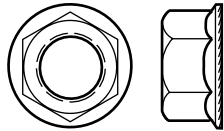
Item #13 (6)



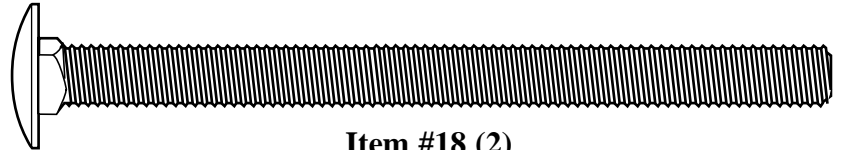
Item #14 (1)



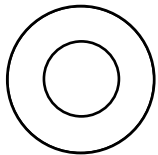
Item #15 (2)



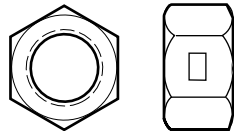
Item #16 (11)



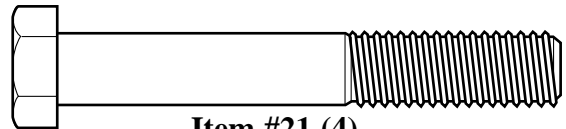
Item #18 (2)



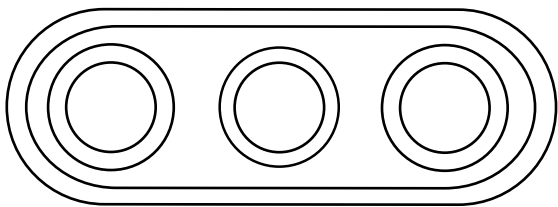
Item #19 (4)



Item #20 (4)



Item #21 (4)



Item #22 (2)

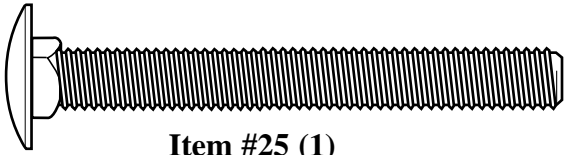


Item #23 (2)

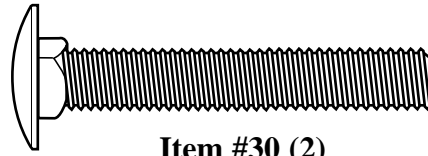
* You may have extra parts with this model.

HARDWARE IDENTIFIER (CONTINUED)

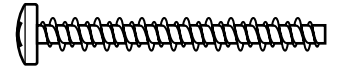
HARDWARE IDENTIFIER (CONTINUED)



Item #25 (1)



Item #30 (2)



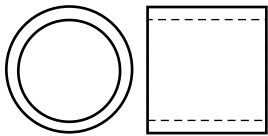
Item #31 (1)



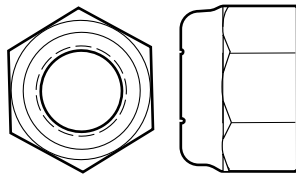
Item #34 (4)



Item #36 (2)



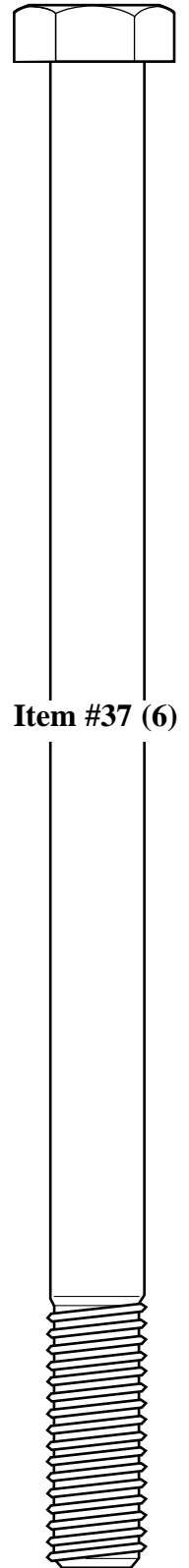
Item #38 (4)



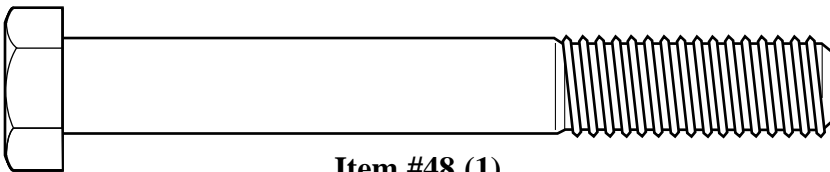
Item #39 (7)



Item #44 (2)



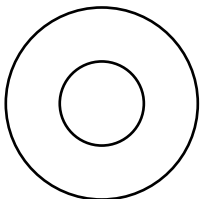
Item #37 (6)



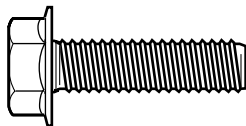
Item #48 (1)



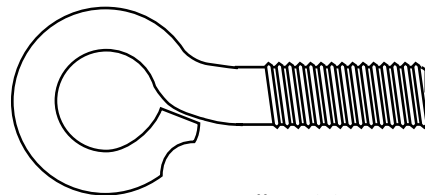
Item #50 (12)*



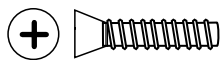
Item #55 (6)



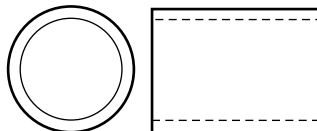
Item #56 (4)



Item #57 (2)



Item #59 (2)



Item #61 (4)

* You may have extra parts with this model.

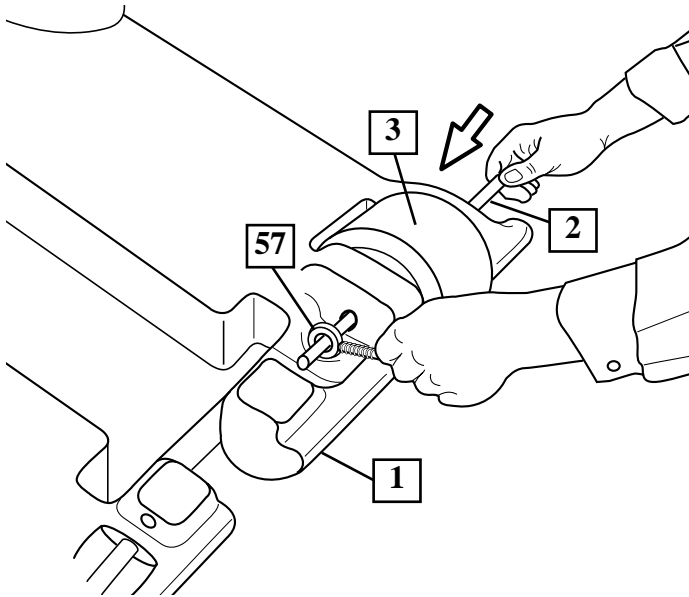


Questions or Missing Parts?

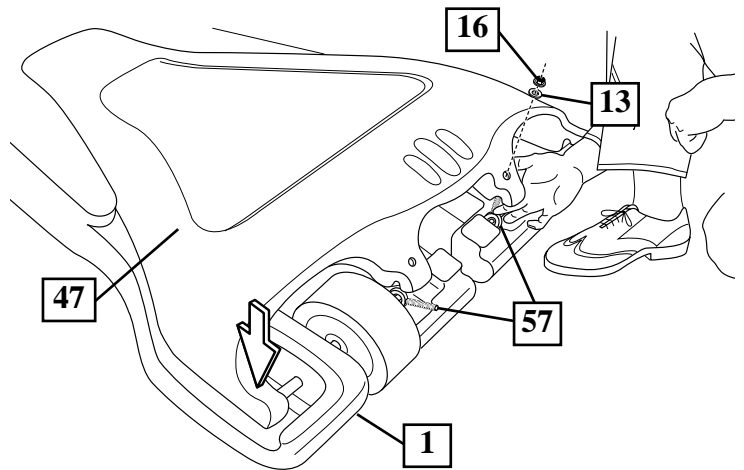
DON'T go back to store!

Call TOLL-FREE Customer Service
Number listed on the front page!

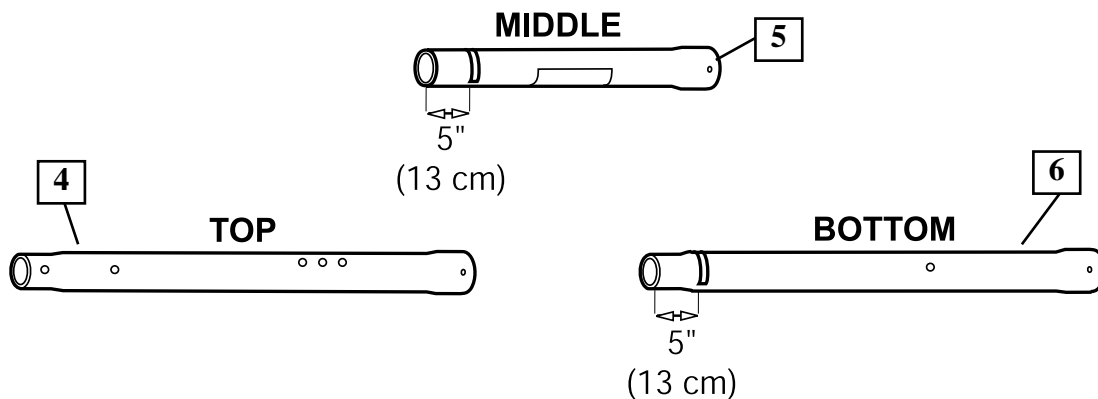
1.



2.

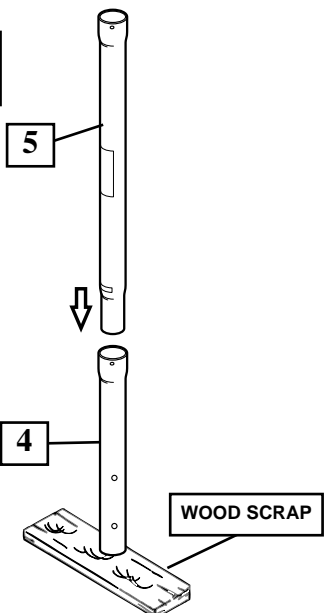


3.



4.

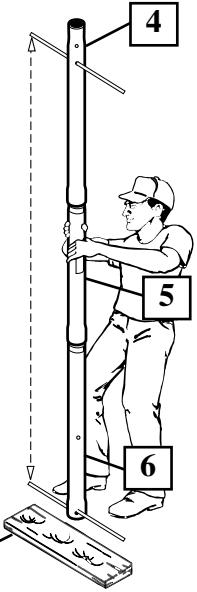
Note
(See Text Page)



IMPORTANT!
(See Text Page)

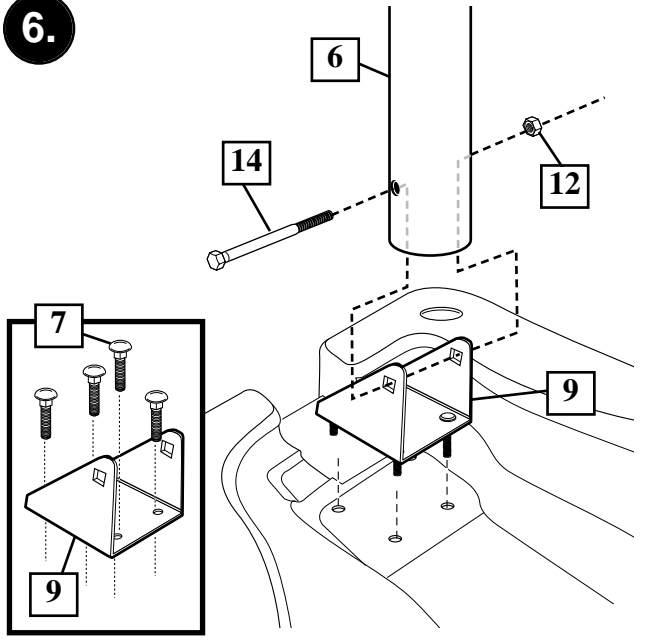
5.

IMPORTANT!
(See Text Page)

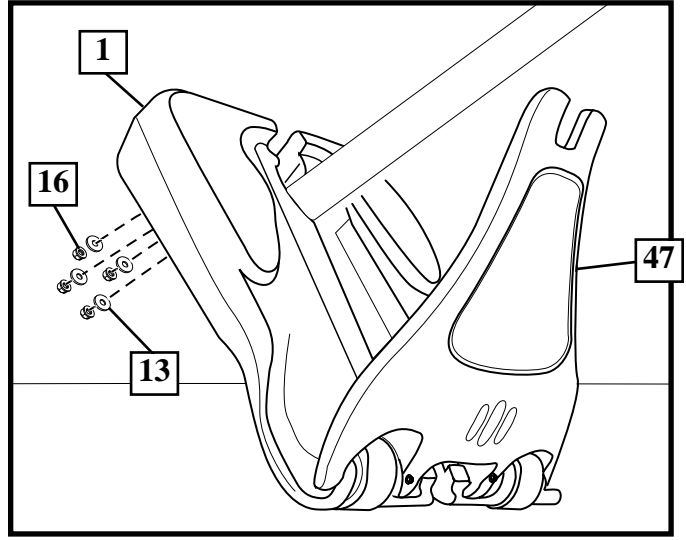


Note
(See Text Page)

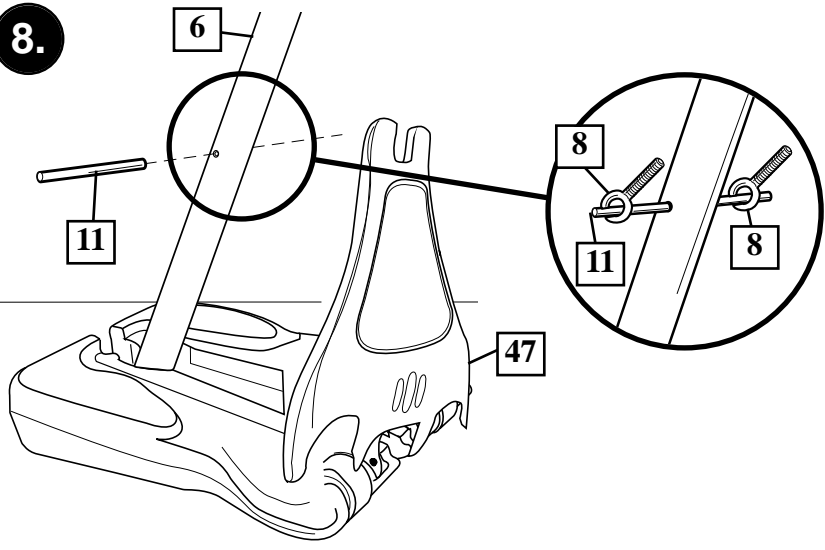
6.



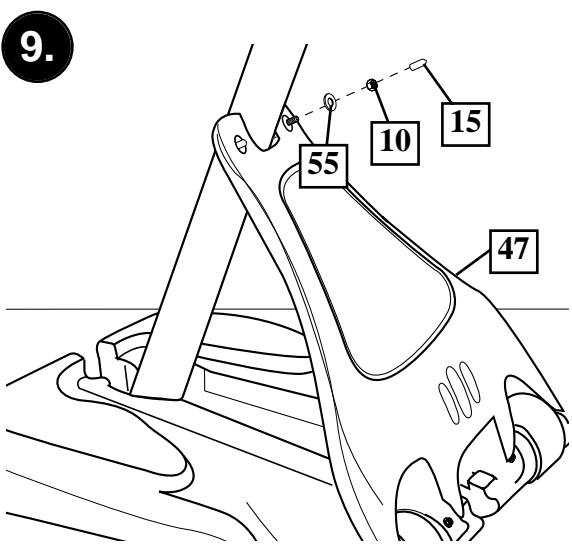
7.



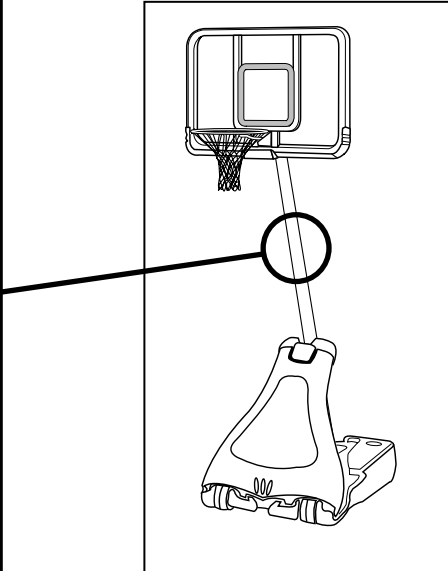
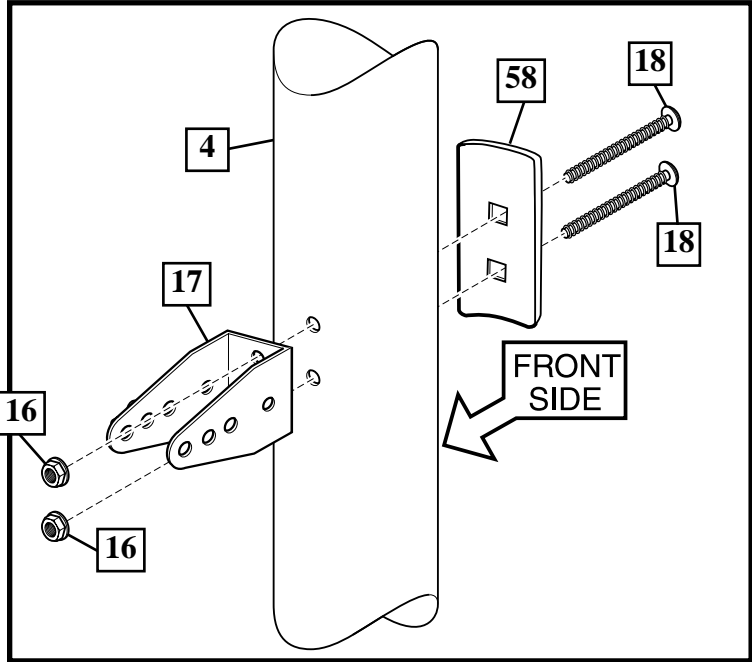
8.



9.

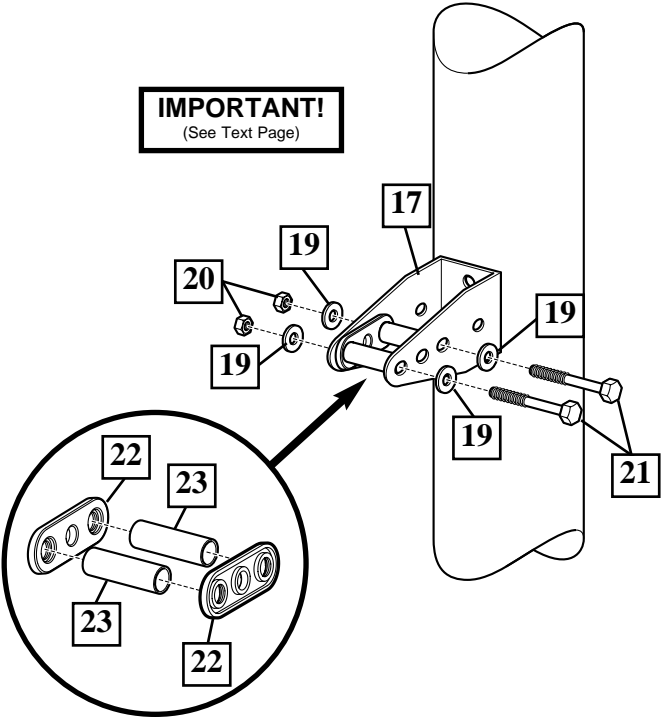


10.



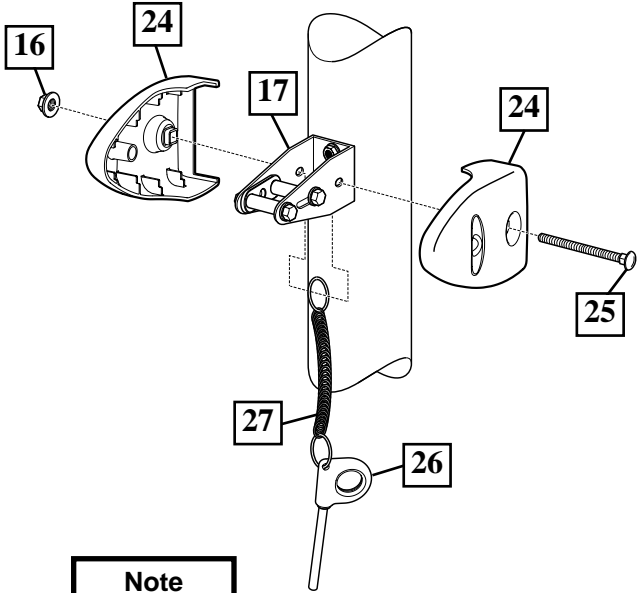
11.

IMPORTANT!
(See Text Page)



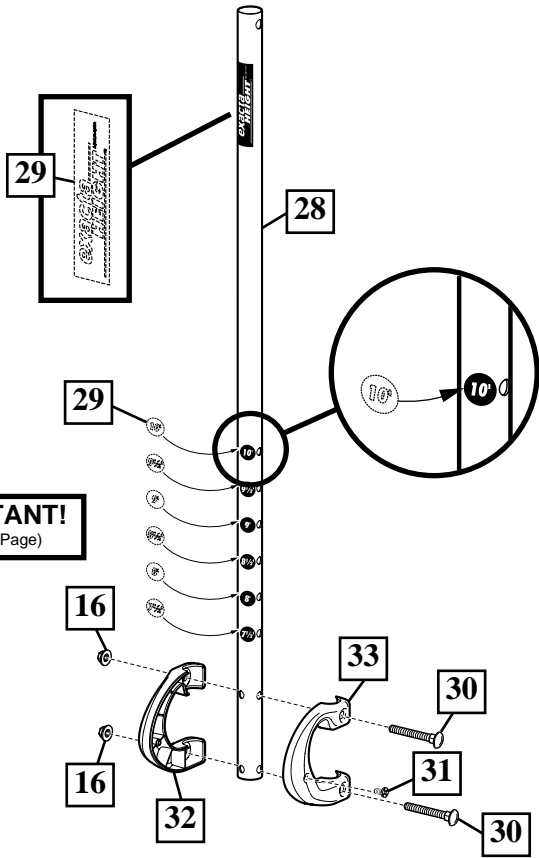
12.

IMPORTANT!
(See Text Page)



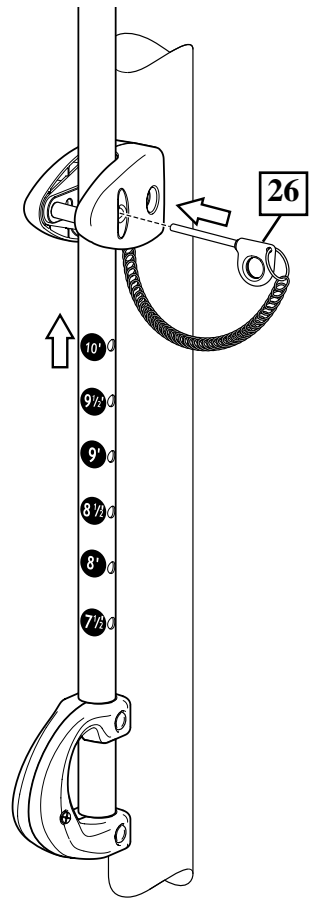
Note
(See Text Page)

13.



IMPORTANT!
(See Text Page)

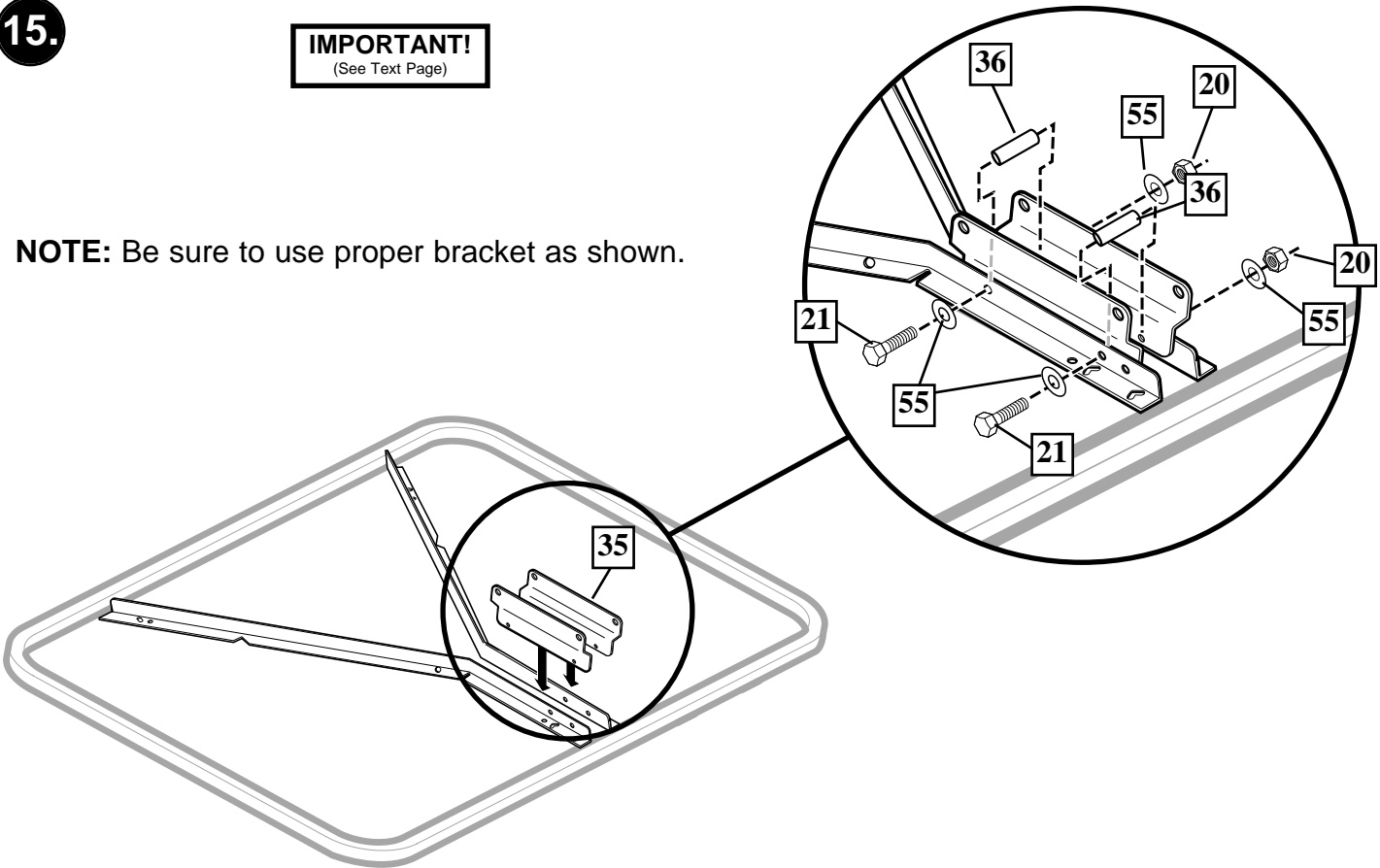
14.



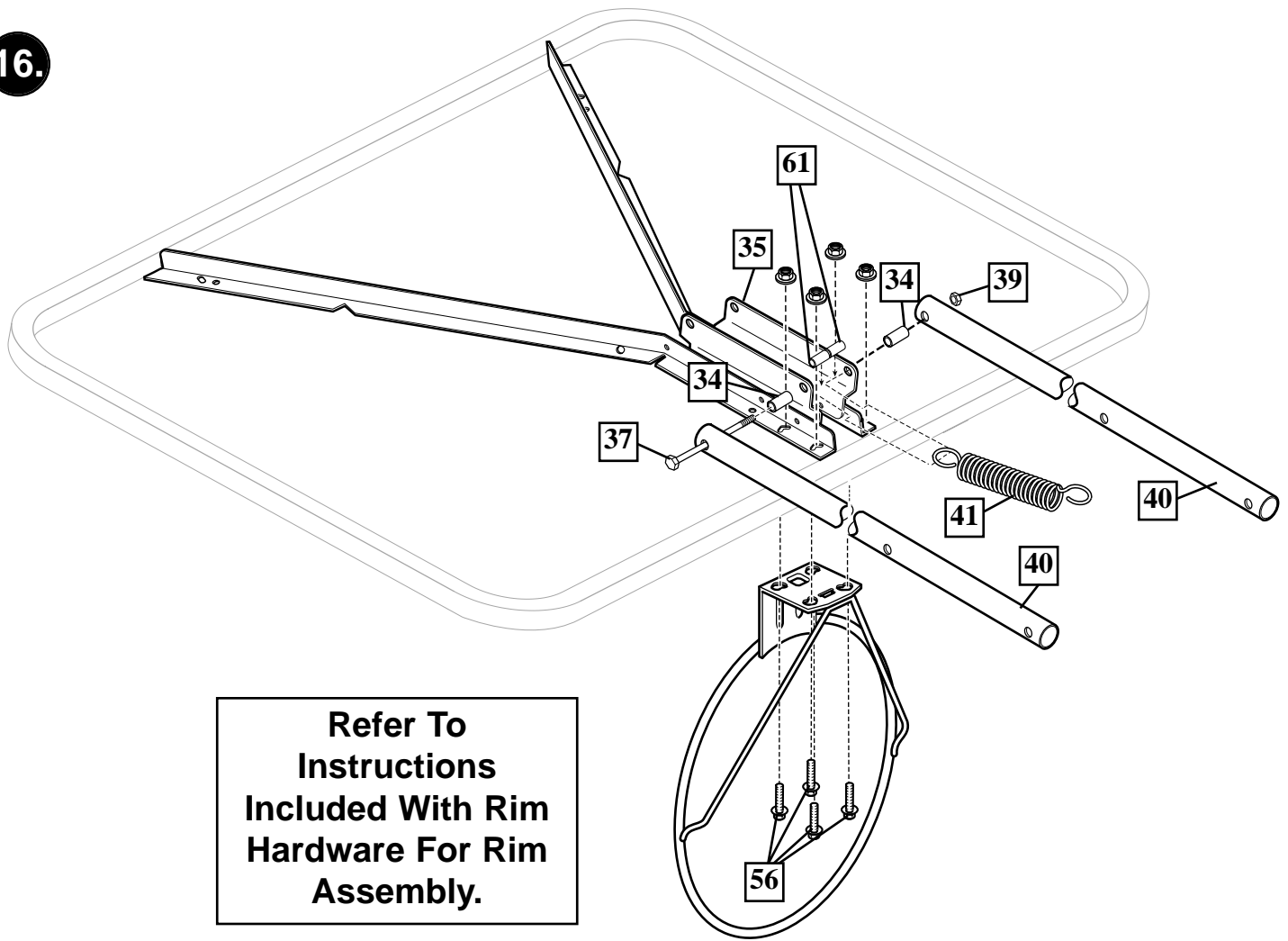
15.

IMPORTANT!
(See Text Page)

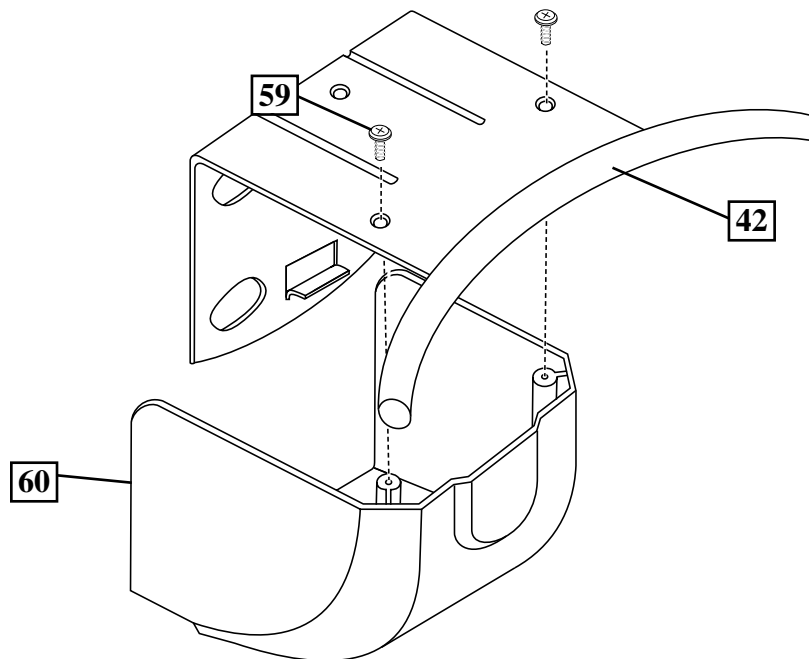
NOTE: Be sure to use proper bracket as shown.



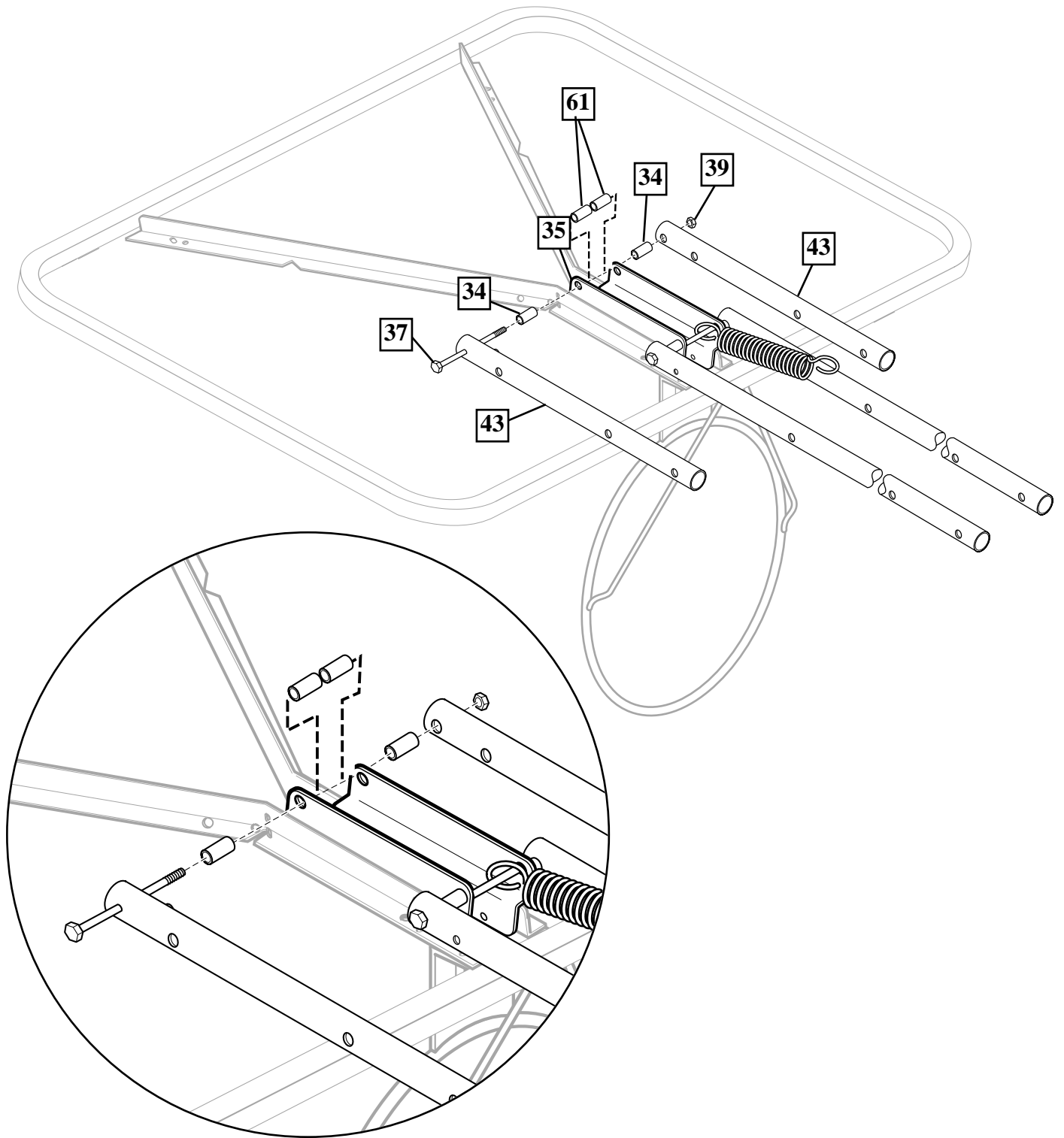
16.



17.



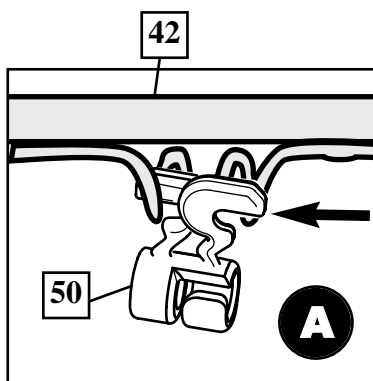
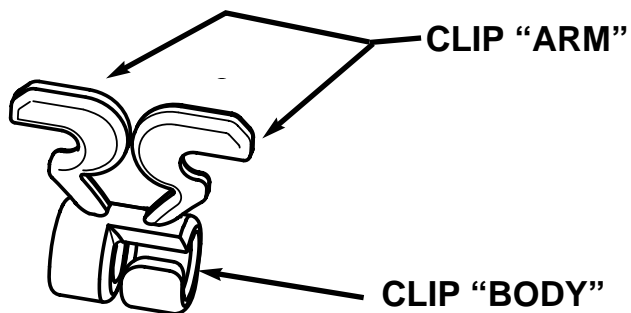
18.



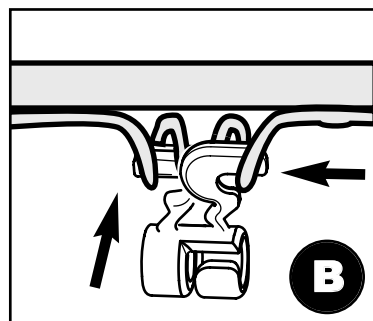
19.

Install net clips.

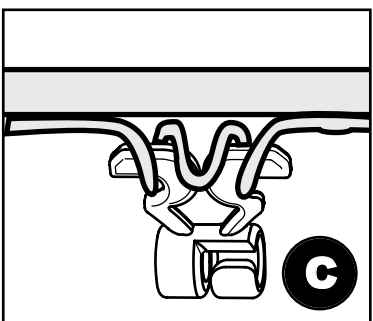
! WARNING: Use of this product without proper installation of net clips, or when all net clips are not present could result in bodily harm. Be sure to follow directions carefully.



Insert one "arm" of clip into ram as shown. Twist "body" of clip slightly so that second "arm" slides over the top of the first "arm" as shown. Push in direction indicated by arrows.



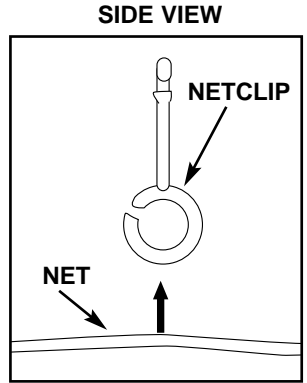
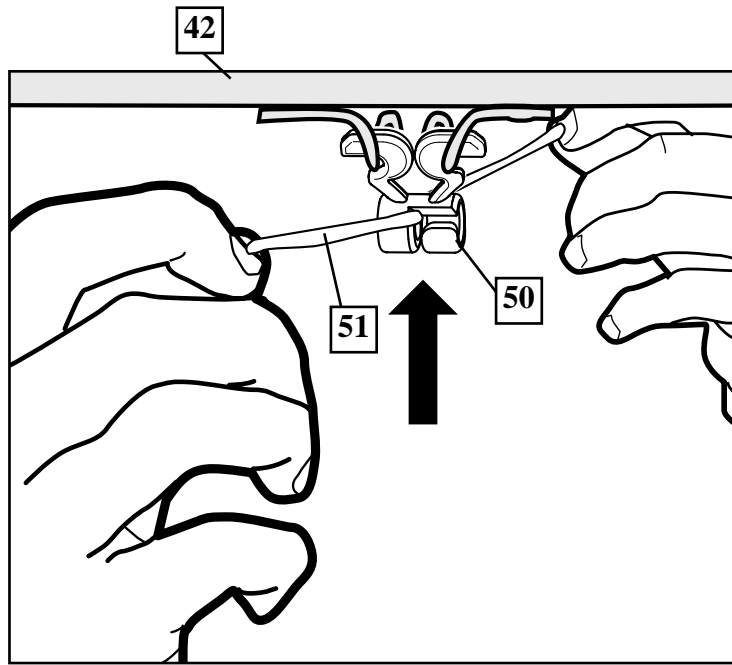
Push second "arm" back and into ram as shown.



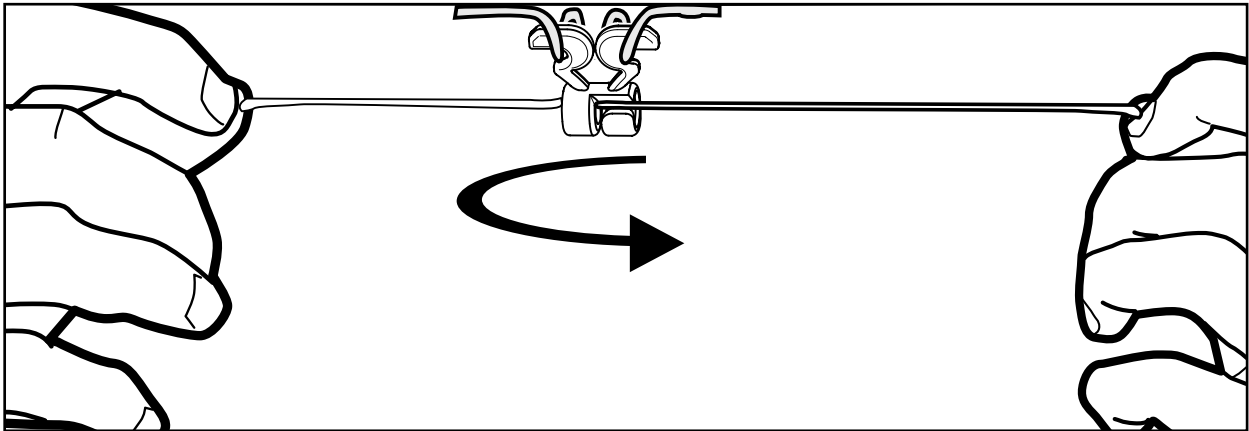
Twist "body" of clip slightly again to spread "arms" of clip. Clip "arms" must be flat and touching edge to edge as shown, not overlapping.

NET INSTALLATION

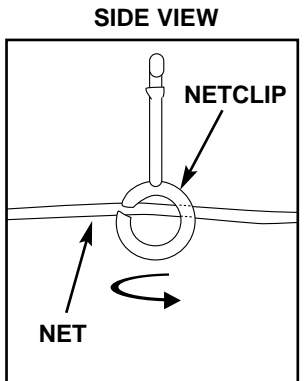
20.



Insert net into bottom of clip as shown.

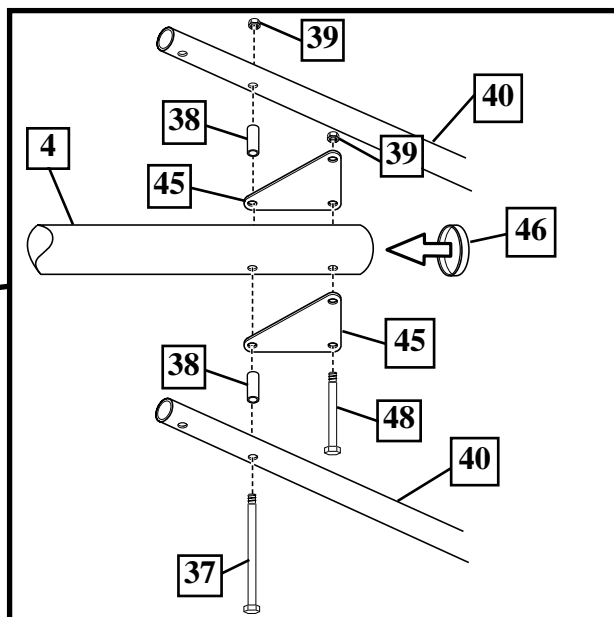
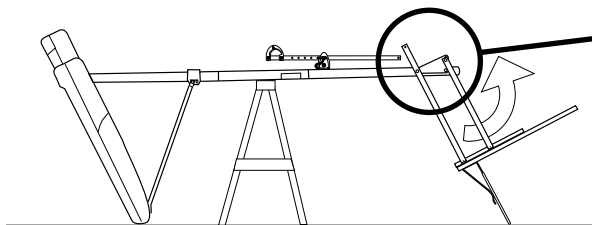


Twist net until it snaps into position.
Net must be centered through clip.



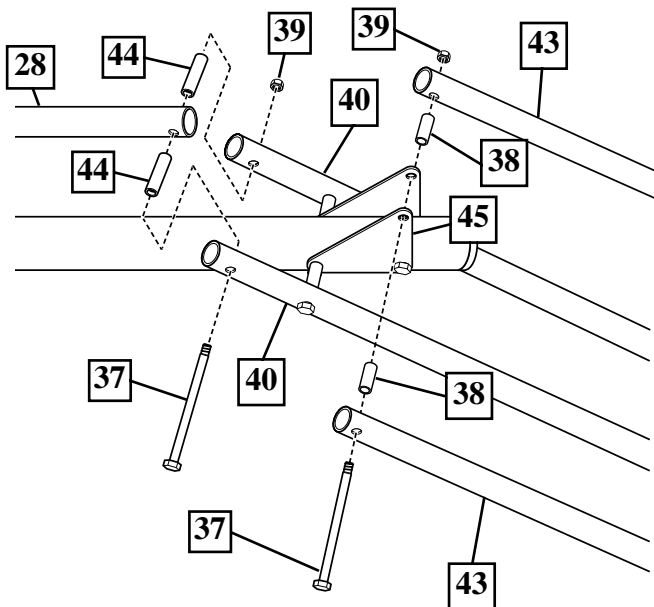
21.

Note
(See Text Page)



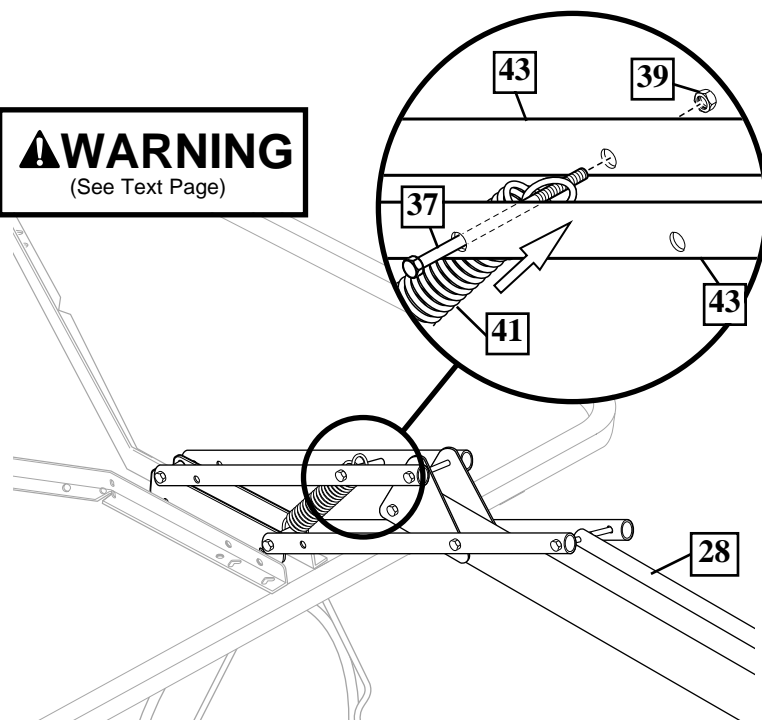
22.

Note
(See Text Page)



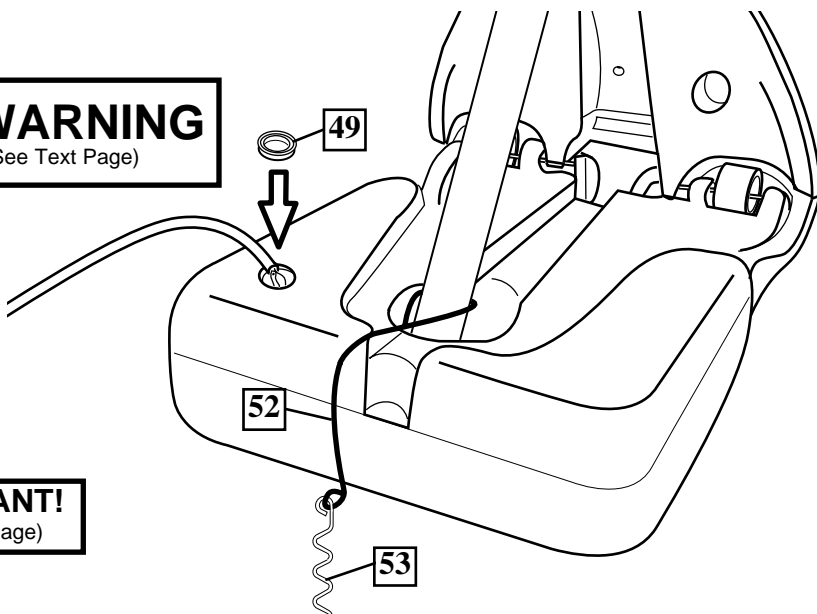
23.

⚠ WARNING
(See Text Page)



24.

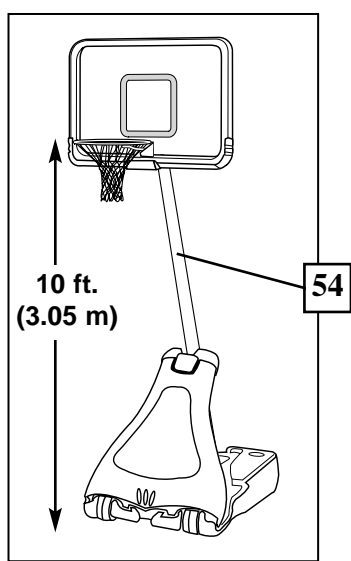
⚠WARNING
(See Text Page)



IMPORTANT!
(See Text Page)

25.

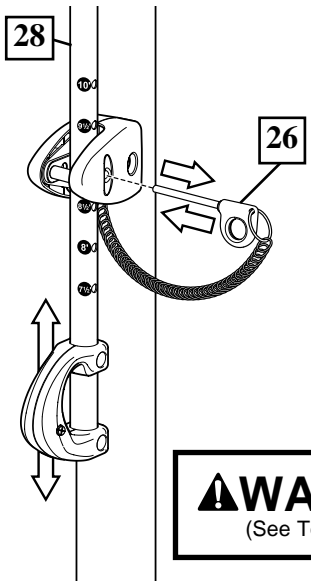
NOTE:
Peel protective film from surface of acrylic backboard prior to use.



26.

27.

28.



⚠WARNING
(See Text Page)

Free Manuals Download Website

<http://myh66.com>

<http://usermanuals.us>

<http://www.somanuals.com>

<http://www.4manuals.cc>

<http://www.manual-lib.com>

<http://www.404manual.com>

<http://www.luxmanual.com>

<http://aubethermostatmanual.com>

Golf course search by state

<http://golfingnear.com>

Email search by domain

<http://emailbydomain.com>

Auto manuals search

<http://auto.somanuals.com>

TV manuals search

<http://tv.somanuals.com>