

## Portable Basketball System Owners Manual

### ⚠ SAFETY INSTRUCTIONS ⚠

FAILURE TO FOLLOW THESE SAFETY INSTRUCTIONS MAY RESULT IN SERIOUS INJURY, PROPERTY DAMAGE AND WILL VOID WARRANTY.

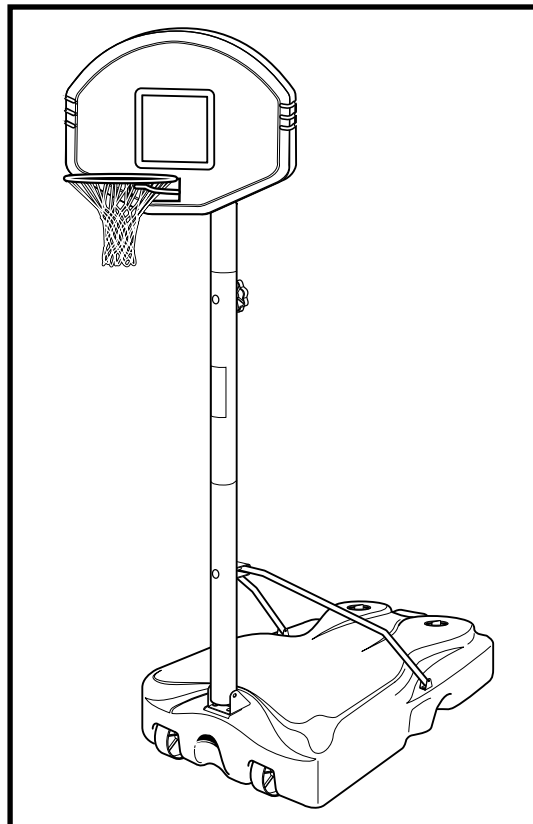
*Owner must ensure that all players know and follow these rules for safe operation of the system.*

To ensure safety, do not attempt to assemble this system without following the instructions carefully. Proper and complete assembly, use and supervision is essential for proper operation and to reduce the risk of accident or injury. A high probability of serious injury exists if this system is not installed, maintained, and operated properly. Check entire box and inside all packing material for parts and/or additional instructional material. Before beginning assembly, read the instructions and identify parts using the hardware identifier and parts list in this document.

- If using a ladder during assembly, use extreme caution.
- Two (2) people are recommended for this operation.
- Check base regularly for leakage. Slow leaks could cause system to tip over unexpectedly.
- Seat the pole sections properly (if applicable). Failure to do so could allow the pole sections to separate during play and/or transport of the system.
- Climate, corrosion or misuse could result in system failure.
- If technical assistance is required, contact the manufacturer.
- Minimum operational height is 6'6" (1.98 m) to the bottom of backboard.
- This equipment is intended for home recreational use only and NOT excessive competitive play.
- Read and understand the warning label affixed to pole. Label is shown on page 2.
- The life of your basketball pole depends on many conditions. The climate, placement of the pole, the location of the pole, exposure to corrosives such as pesticides, herbicides or salts are all important.
- If technical assistance is required, contact Huffy Sports.
- Adult supervision is recommended when adjusting height.

*Most injuries are caused by misuse and/or not following instructions.  
Use caution when using this system.*

For more information on assembly, placement, proper use and maintenance, visit The American Basketball Council website at <http://www.smarthoops.com>.



### REQUIRED TOOLS AND MATERIALS:

- Two People
- Wood Board (Scrap)
- Tape Measure
- Step Ladder 8 ft. (2.4 m)
- Tape
- Water or Sand 360 lb. (163 kg)
- Hammer
- Wrench: 1/2"
- Support Table

### In U.S. and Canada only: Have questions...don't go back to the store!

We appreciate your purchasing one of our many fine products. We are sure that you will be very satisfied with your selection. Although great care and effort have been taken, occasionally problems may occur. To ensure prompt and correct handling of any problems, or to answer any questions, please contact our Toll-Free Customer Service Number listed below. **Service will be quicker if you have your Model Number (found on carton) and assembly instructions ready when calling. PLEASE WRITE YOUR MODEL NUMBER IN THE SPACE PROVIDED ABOVE.**

Toll-Free Customer Service Number for U.S: 1-800-558-5234

Canada Only: 1-800-284-8339

Internet Address: <http://www.huffysports.com>



# WARNING

FAILURE TO FOLLOW THESE WARNINGS MAY RESULT IN SERIOUS INJURY AND/OR PROPERTY DAMAGE.

*Owner must ensure that all players know and follow these rules for safe operation of the system.*

- DO NOT HANG on the rim or any part of the system including backboard, support braces or net.
- During play, especially when performing dunk type activities, keep player's face away from the backboard, rim and net. Serious injury could occur if teeth/face come in contact with backboard, rim or net.
- Do not slide, climb, shake or play on base and/or pole.
- After assembly is complete, fill system completely with water or sand and stake to the ground. Never leave system in an upright position without filling base with weight, as system may tip over causing injuries.
- When adjusting height or moving system, keep hands and fingers away from moving parts.
- Do not allow children to move or adjust system.
- During play, do not wear jewelry (rings, watches, necklaces, etc.). Objects may entangle in net.
- Surface beneath the base must be smooth and free of gravel or other sharp objects. Punctures cause leakage and could cause system to tip over.
- Keep organic material away from pole base. Grass, litter, etc. could cause corrosion and/or deterioration.
- Check pole system for signs of corrosion (rust, pitting, chipping) and repaint with exterior enamel paint. If rust has penetrated through the steel anywhere, replace pole immediately.
- Check system before each use for proper ballast, loose hardware, excessive wear and signs corrosion and repair before use.
- Check system before each use for instability.
- Do not use system during windy and/or severe weather conditions; system may tip over. Place system in the storage position and/or in an area protected from the wind and free from personal property and/or overhead wires.
- Never play on damaged equipment.
- See instruction manual for proper installation and maintenance.
- When moving system, use caution to keep mechanism from shifting.
- Keep pole top covered with cap at all times.
- Do not allow water in tank to freeze. During sub-freezing weather add non-toxic antifreeze, sand or empty tank completely and store. (Do not use salt.)
- Use extreme caution if placing system on sloped surface. System may tip over more easily.

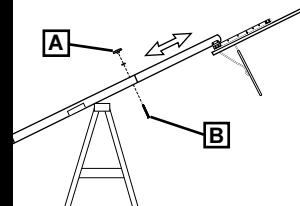
## HUFFY® SPORTS

In the U.S.: 1-800-558-5234 and Canada: 1-800-284-8339

201241 2/99

40

### HEIGHT ADJUSTMENT for all Telescoping Pole Systems

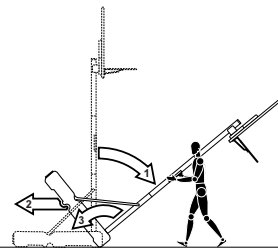


Rest unit on support table. Remove adjustment knob (A) and carriage bolt (B) to extend or retract pole. Pole adjusts from 7 1/2' to 10'.

#### WARNING

Backboard and top pole may rotate during height adjustment.

### MOVING SYSTEM



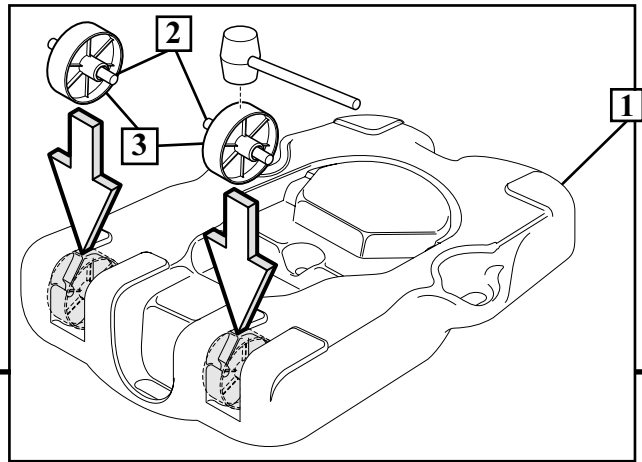
1. While holding pole, rotate basketball system forward until wheels engage with ground.
2. Move basketball system to desired location.
3. Carefully rotate basketball system upright.
4. Reattach ground restraint and check system for stability.

This unit also folds down for convenient storage. See *owner's manual* for fold-up procedure.

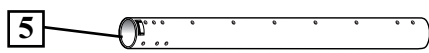
201259 3/99



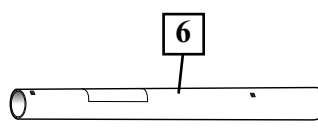
1. Remove contents from tank (1).
2. Turn tank (1) bottom side up. Insert axle rod (2) through wheel (3), as shown. Secure wheel assembly to tank by tapping wheel assembly downward with hammer. It will snap into position. Repeat for opposite side, then carefully turn tank over.



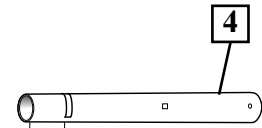
3. Correctly identify each pole section and mark indicated distance from end of bottom pole section (4) with tape as shown.



TOP



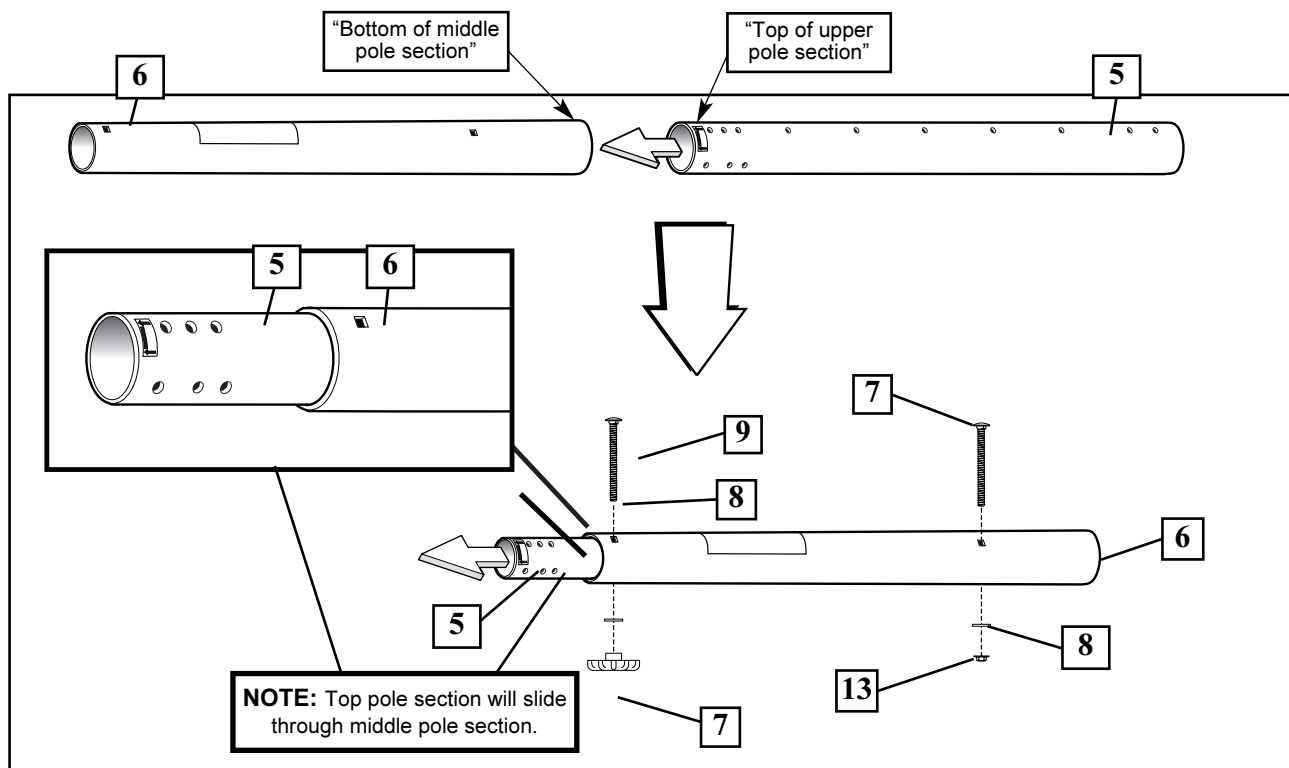
MIDDLE



BOTTOM

4. Slide top of upper pole section (5) through bottom of middle pole section (6). Secure top and middle pole sections together in both locations as shown, using carriage bolts (7), washers (8), adjustment knob (9), and flange nut (13).

**IMPORTANT! This step MUST be completed before going on to step 5.**



5. Add bottom pole section (4) to assembly as shown and bounce until completely tight.

### IMPORTANT!

Holes in top and bottom pole sections MUST align to correctly position elevator system.

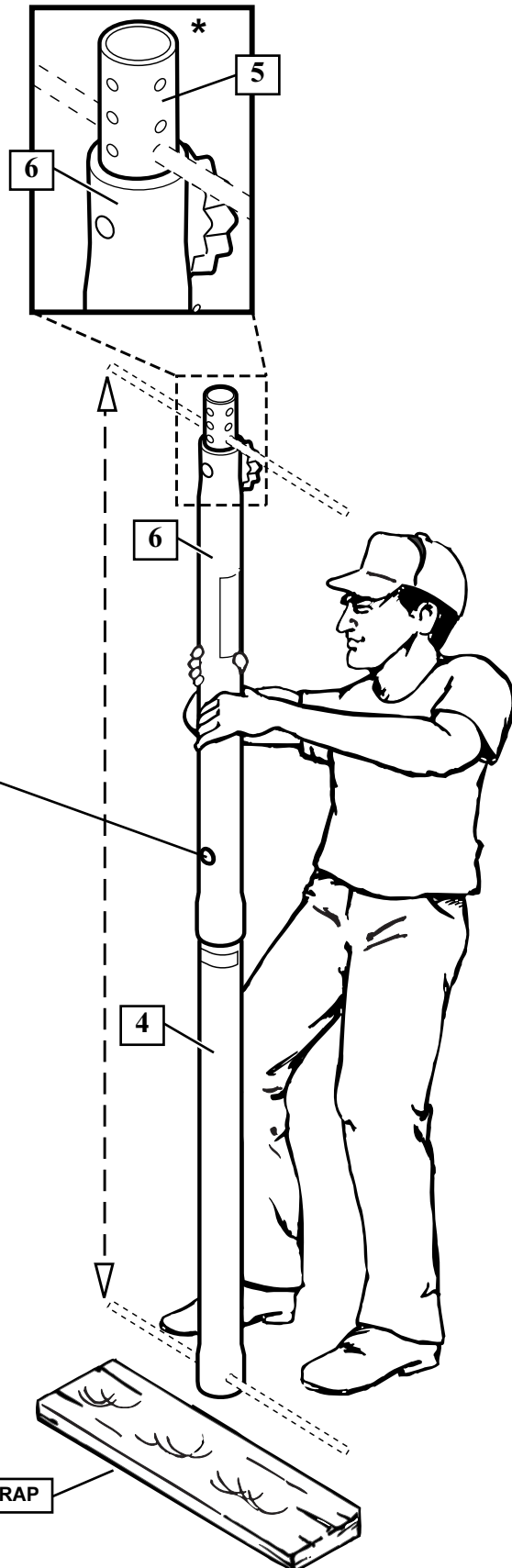
Continue to check alignment while assembling pole sections.

\*Row of 3 holes on top pole section must be parallel with adjustment knob.

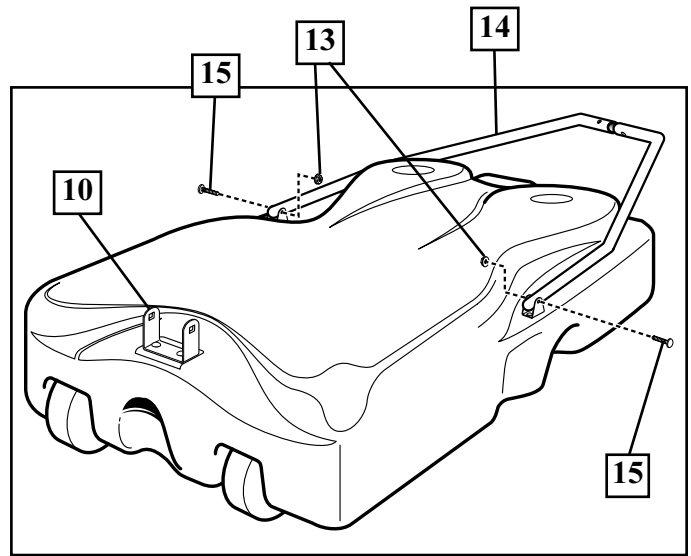
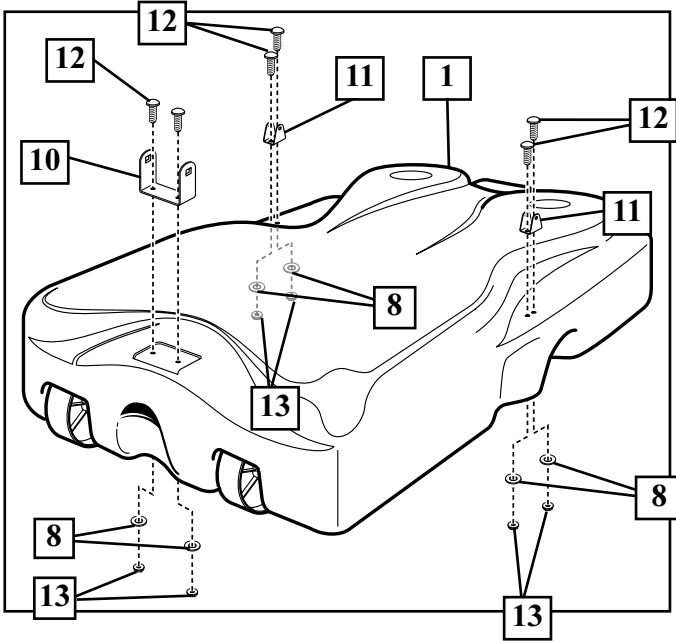
Once assembled, pole sections can NOT be separated!

**POLES MUST OVERLAP 3-1/2" (9 CM) MINIMUM.**

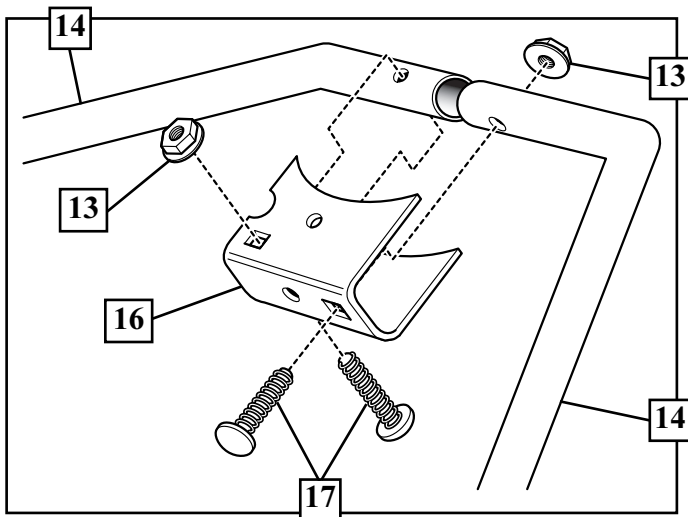
**NOTE:** Discard this carriage bolt immediately after completing this step. DO NOT discard flange nut and washer.



6. Attach base pole bracket (10) and base strut brackets (11) to base (1) as shown below.



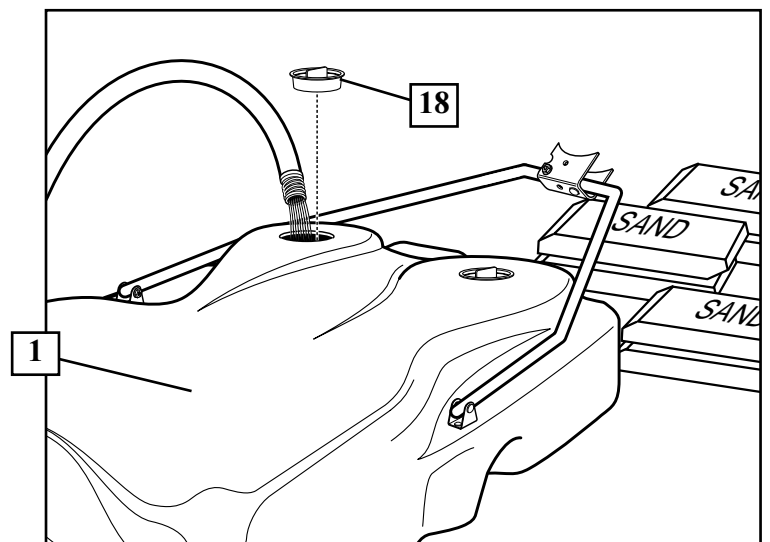
7. Attach struts (14) as shown above.

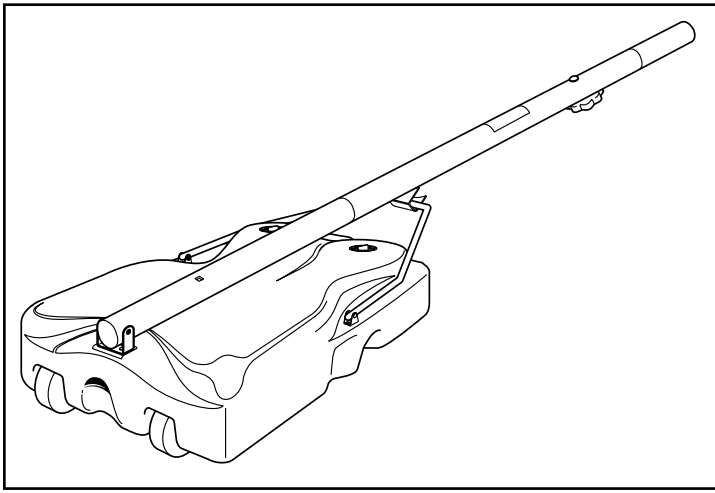


8. Attach pole strut bracket (16) to struts (14) as shown at left.

9. Place tank (1) in desired location. Fill tank (1) with water (30 gallons (114 liters)) or sand (360 lb. (163 kg)). Snap tank cap (18) in place.

**IMPORTANT!**  
Add two gallons (7.6 liters) of  
NON-TOXIC ANTIFREEZE  
in sub-freezing climates.

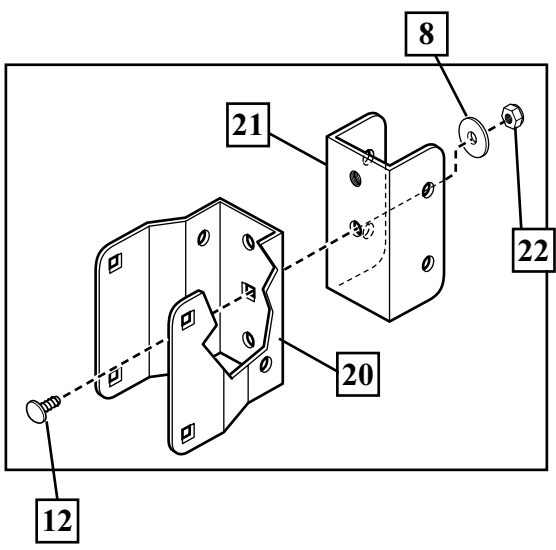
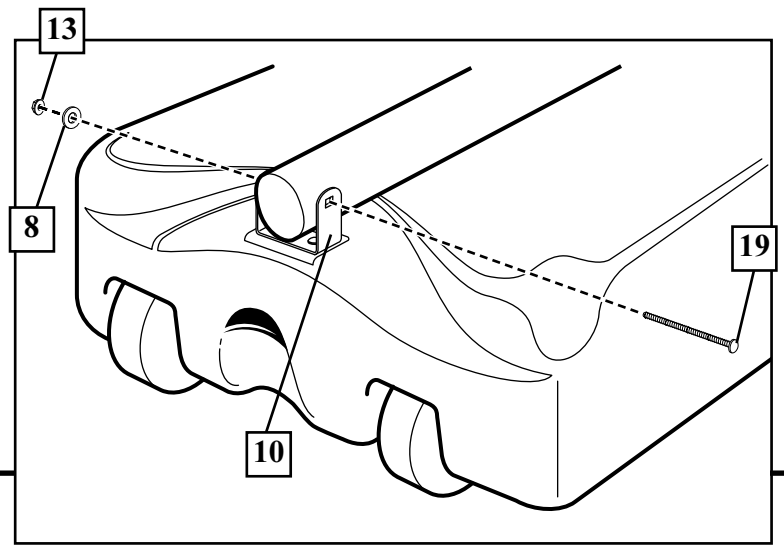




**10.** Rest pole assembly on FILLED tank.

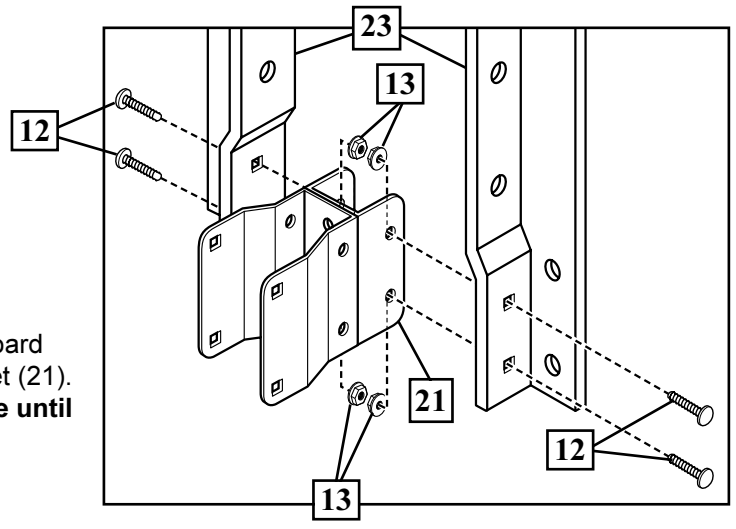
**⚠ WARNING**  
 KEEP UNNECESSARY  
 PRESSURE OFF OF THE  
 POLE ASSEMBLY WHEN IN  
 THIS POSITION. TWO  
 PEOPLE RECOMMENDED  
 FOR THIS STEP.

**11.** Attach pole assembly to pole bracket (10) as shown. **NOTE: Keep unnecessary pressure off of the pole assembly when in this position. Two people recommended for this step.**

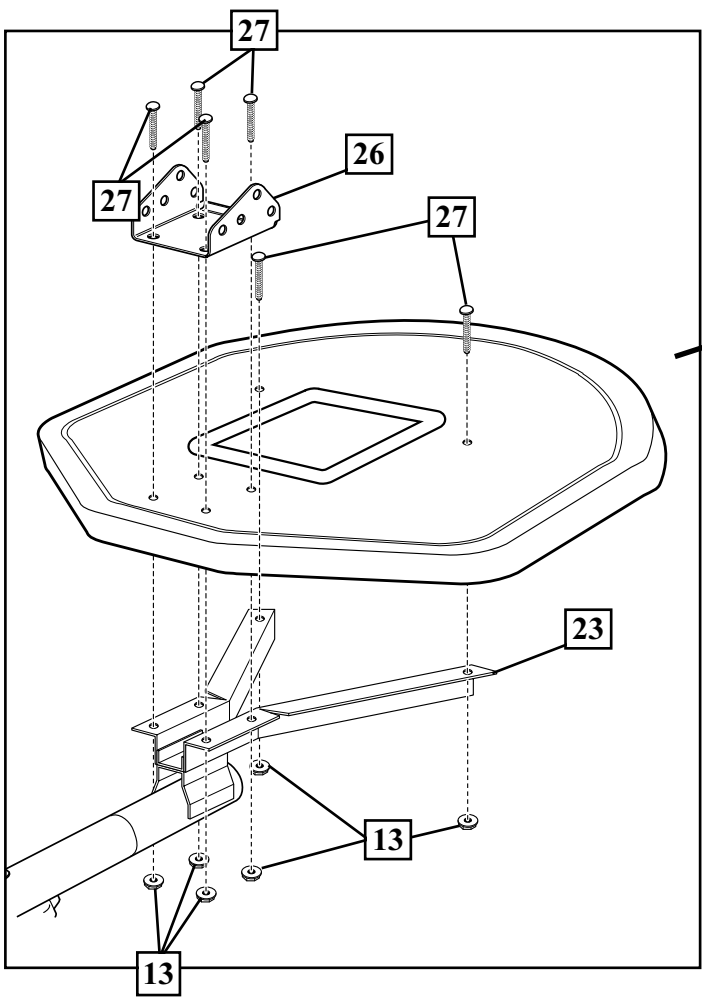
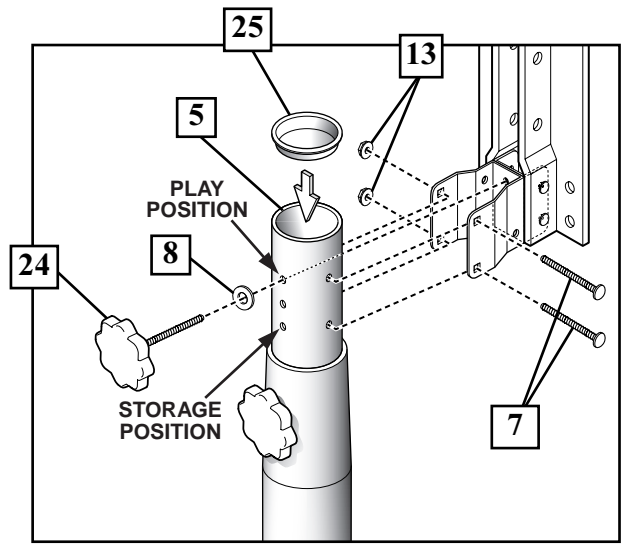


**12.** Attach upper pole mounting bracket (20) to swivel bracket (21) and fully tighten.

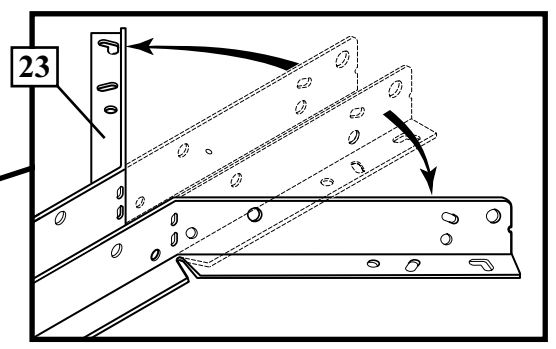
**13.** Attach lower halves of backboard brackets (23) to swivel bracket (21). **NOTE: Keep hardware loose until after alignment in step 16.**



**14.** NOTE: Two people recommended for this procedure. Attach bracket assembly to top pole section (5). Secure hardware as shown and tighten completely. Install pole cap (25).

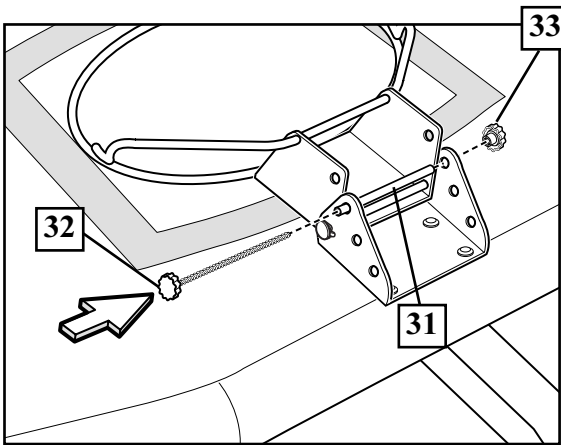
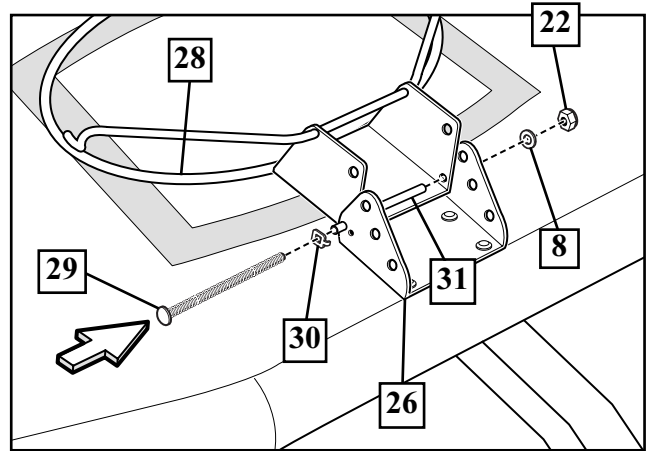


**15.** Bend upper halves of backboard brackets (23) to line up with mounting holes on backboard as shown.



**16.** Attach back bracket (26) to backboard and backboard brackets (23) as shown and finger tighten. NOTE: Do NOT tighten completely. Final adjustments will be made in step 24.

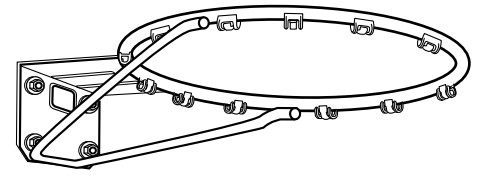
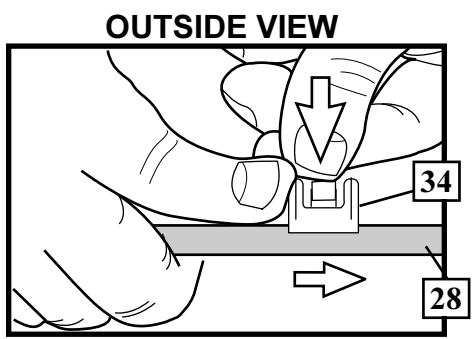
17. Assemble rim (28) to back bracket (26) as shown.



18. To keep rim components from shifting during installation procedure, install knob set (32 and 33) through spacer (31) in the upper set of holes in rim bracket as shown.

19. Install net clips (34) on rim (28).

The two outer hooks on net clip must face towards inside of goal rim. Insert larger hole in net clip onto rim stud, **push down** on net clip, then slide net clip right, locking or snapping securely into position (clips must "snap" into place to insure a secure fit).  
**NOTE: Net clips should not slide with ease. It is very important that the net clips are in the locked position before going on to next step**

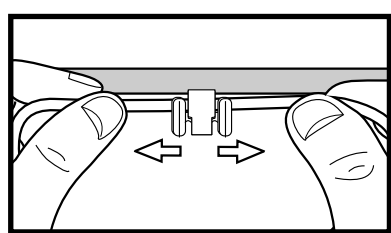
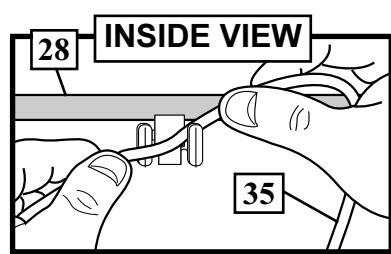


**WARNING**  
 USE OF THIS PRODUCT WITHOUT PROPER INSTALLATION OF NET CLIPS, OR WHEN ALL NET CLIPS ARE NOT PRESENT COULD RESULT IN BODILY HARM. BE SURE TO FOLLOW DIRECTIONS CAREFULLY.

*The Quick Clip™ rapid release net system lets the net pull away from the rim. This reduces the risk of player injury or property damage. However, improper installation or a ball making contact at an odd angle may disengage the net clip from the goal rim. Usually, the clip is reinstalled with little or no problem. We hope that you agree this inconvenience is minor when compared to the safety of the players.  
 Quick Clip: US Patent No. 5,792,010/5,795,253*

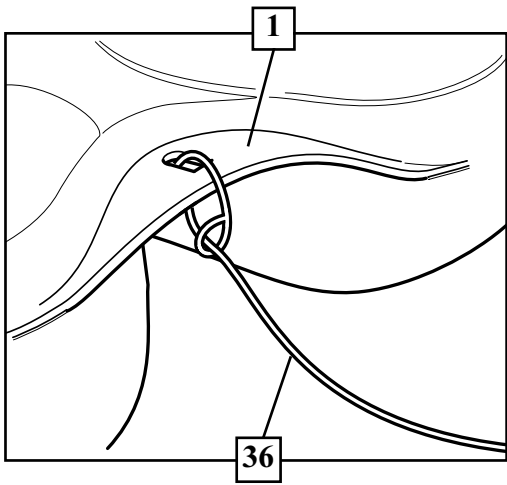
20. Install net (35).

**IMPORTANT! MAKE SURE NET IS HELD BY ALL THREE HOOKS ON THE NET CLIP.**

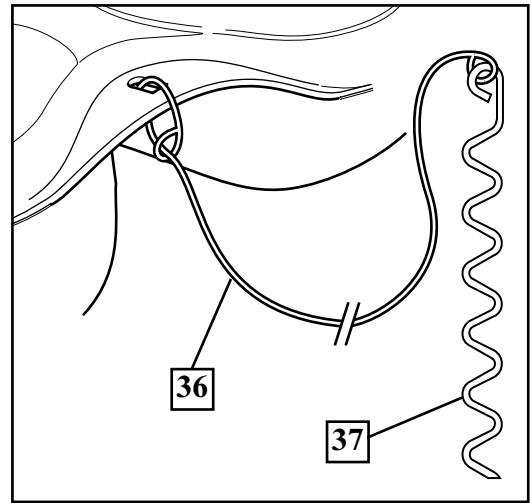


**NOTE: Stretching net up then pulling side to side will help snap net under center hook.**



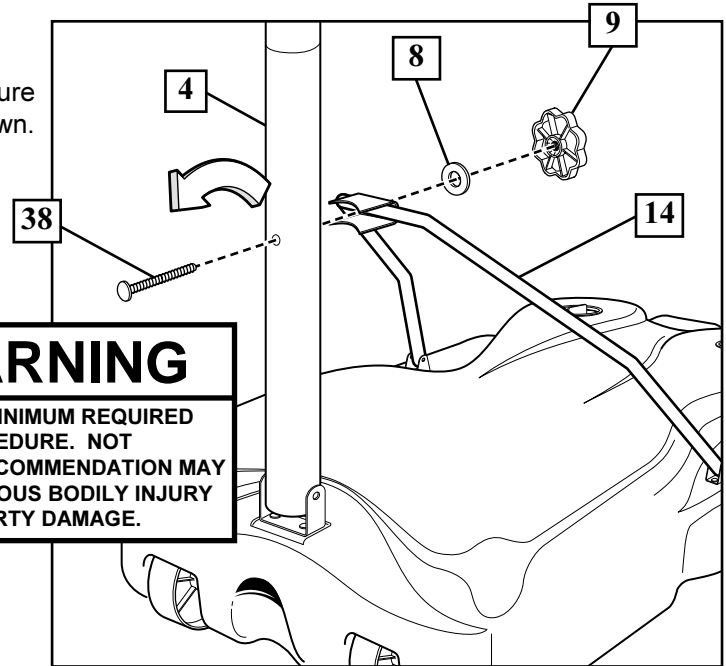
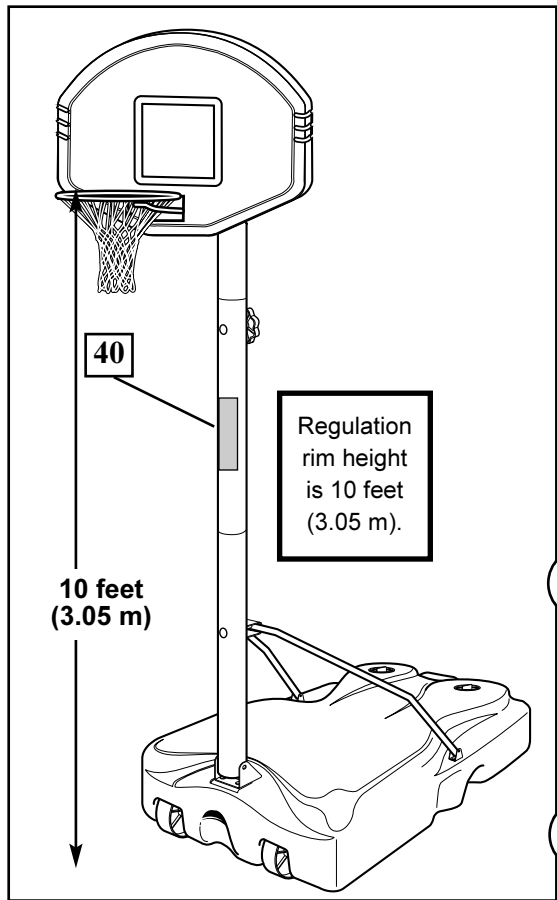


**21.** Attach nylon tie down stake rope (36) to tank (1) as shown.



**22.** Secure unit to ground using nylon rope (36) and tie down stake (37).

**23.** Carefully upright pole and backboard assembly. Secure strut assembly (14) to bottom pole section (4) as shown.



**⚠ WARNING**  
 TWO PERSON MINIMUM REQUIRED FOR THIS PROCEDURE. NOT FOLLOWING RECOMMENDATION MAY RESULT IN SERIOUS BODILY INJURY AND/OR PROPERTY DAMAGE.

**24.** NOTE: Two people recommended for this procedure. Level backboard and rim adjust hardware from step 13 and 16. Tighten completely.

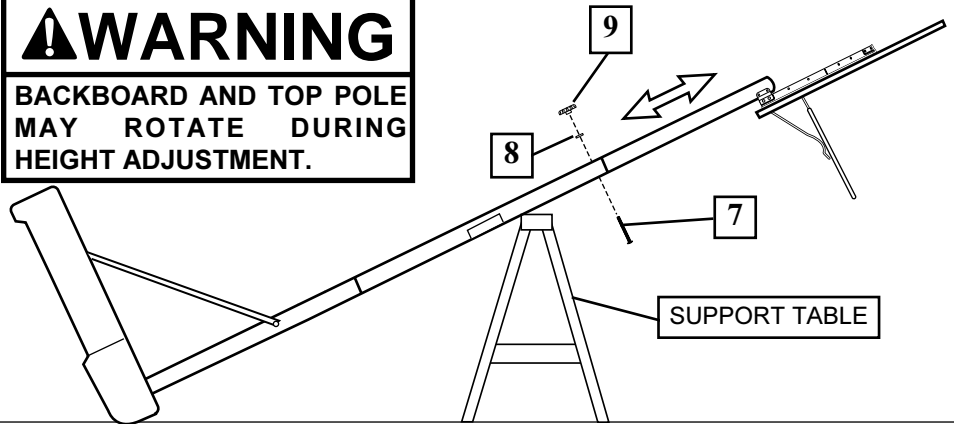
**25.** Apply height adjustment label (40) to front of pole as shown.

## HEIGHT ADJUSTMENT

1. Rest unit on support table. Remove adjustment knob (9), carriage bolt (7), and washer (8) to extend or retract pole. Pole adjusts from 7 1/2' to 10'.

Re-Insert Adjustment set (7, 8, 9) When pole is at desired height.

**⚠ WARNING**  
BACKBOARD AND TOP POLE  
MAY ROTATE DURING  
HEIGHT ADJUSTMENT.

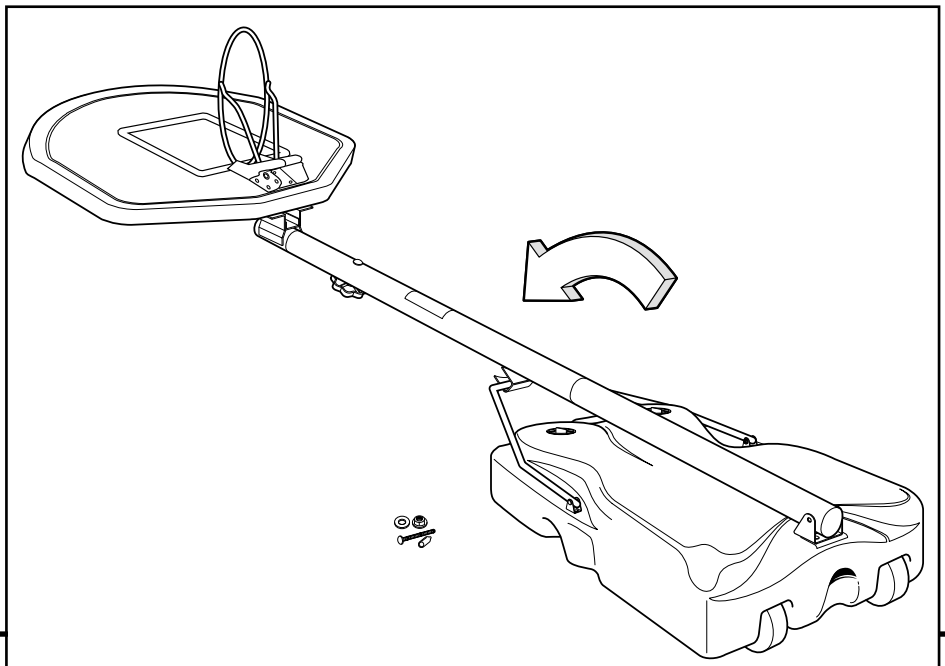


## TO PLACE IN THE STORAGE POSITION

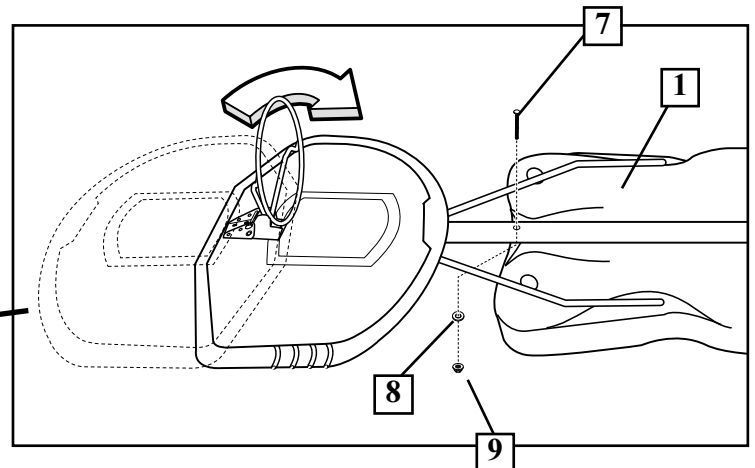
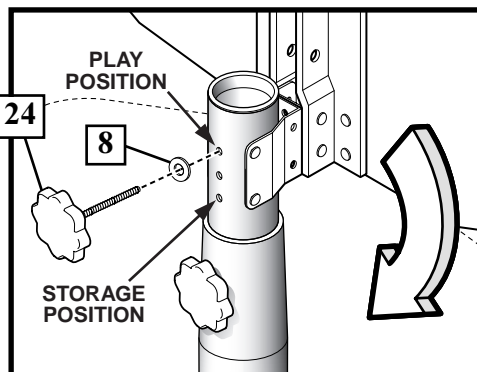
1. Lower backboard and rim down to the lowest position (7 1/2' (2.29 m)).
2. Remove adjustment knob (9), washer (8), and carriage bolt (7). Carefully rotate pole downward towards ground.

**⚠ WARNING**

DO NOT STAND BEHIND  
SYSTEM WHEN PREPARING  
FOR STORAGE.

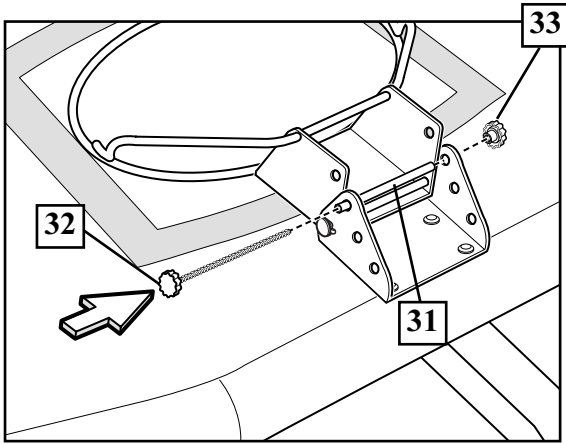


3. Secure pole assembly to tank (1) with carriage bolt (7), washer (8), and adjustment knob (9). Remove adjustment knob (24) from swivel bracket (21) and carefully rotate backboard assembly 180°.



4. Secure backboard assembly in storage position with adjustment knob set (24 and 8) as shown.



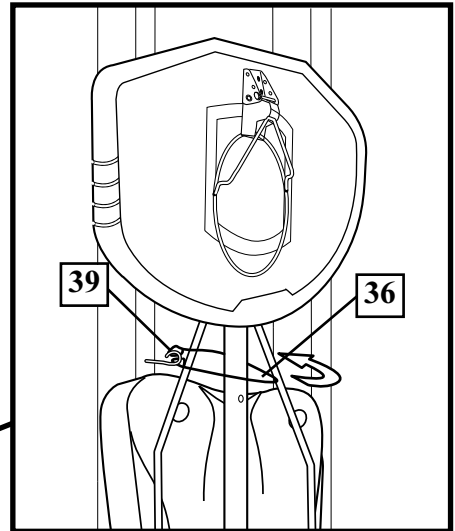
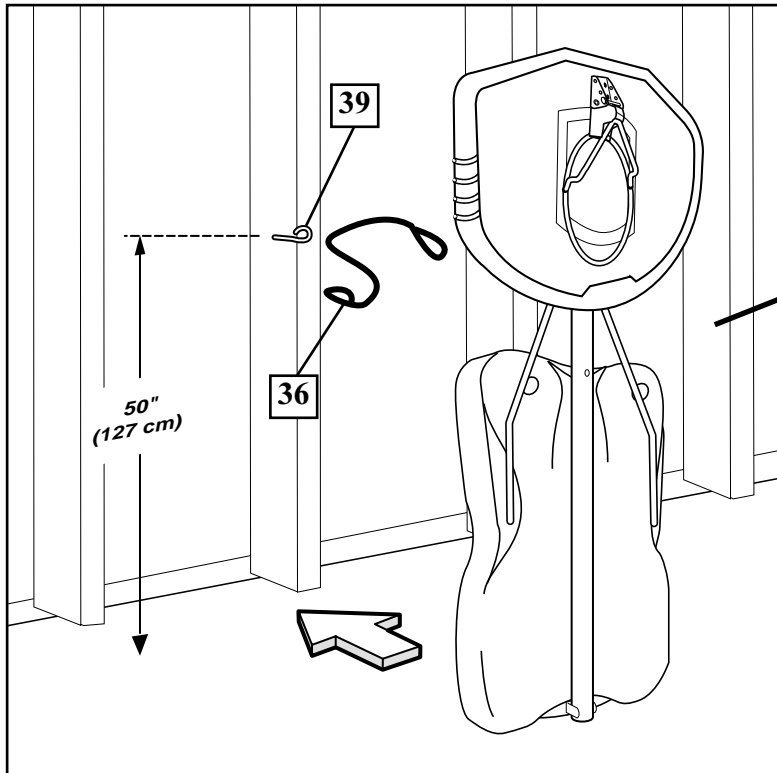
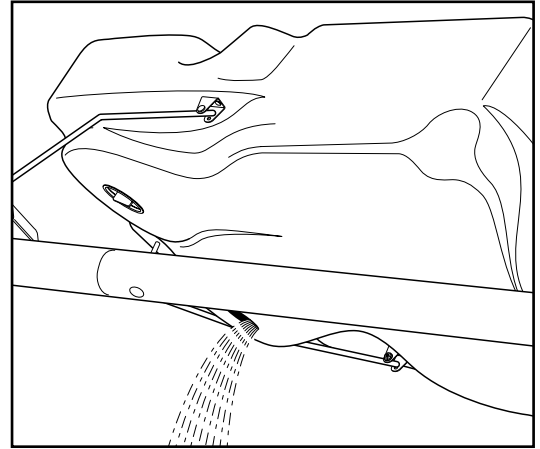


5.

Remove knob set (32, 31, and 33) from the rim assembly and re-insert knob set into top locking position.

6.

Carefully rotate system up on its side to remove water or sand from tank.



7.

Secure screw hook (39) into wall, approximately 50" (127 cm) up from floor as shown.

**IMPORTANT! It is necessary to install screw hook into a wall stud.**

8.

Remove tie down stake (37) from ground and detach rope (36). Rotate system up onto the front wheels and roll toward the wall. Secure system with rope (36) on screw hook (39).

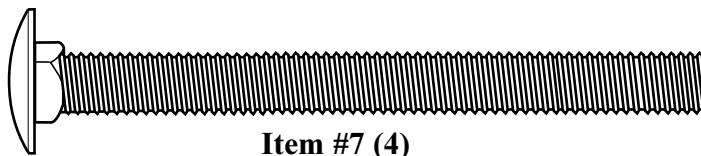


## PARTS LIST

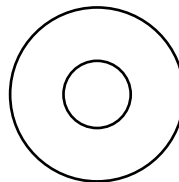
<u>Item</u>	<u>Qty.</u>	<u>Part No.</u>	<u>Description</u>	<u>Item</u>	<u>Qty.</u>	<u>Part No.</u>	<u>Description</u>
1	1	206903	Tank	21	1	206912	Bracket, Swivel, 3-3/4 x 2-1/4
2	2	206327	Wheel Axle	22	2	203099	Locknut, 5/16-18, Nylon Insert
3	2	226401	Wheel	23	2	906633	Bracket, Backboard
4	1	908492	Bottom Pole Section	24	1	206629	Knob, Threaded, 5/16-18
5	1	906643	Top Pole Section	25	1	206641	Pole Cap, 2-3/4
6	1	906642	Middle Pole Section with Label	26	1	906625	Bracket, Back
7	4	203231	Bolt, Carriage, 5/16-18 x 3-1/2 Long	27	6	203157	Bolt, Carriage, 5/16-18 x 2-1/4
8	12	203218	Washer, 5/16 Flat	28	1	900931	Rim
9	2	203435	Knob, Plastic, 3 Diameter	29	1	206004	Bolt, Carriage, 5/16-18 x 6
10	1	206911	Bracket, Base Pole	30	1	206005	Stop Washer
11	2	206910	Bracket, Base Strut, 2 x 1.2	31	2	202790	Spacer, 5-1/4 Long
12	11	203223	Bolt, Carriage, 5/16-18 x 1	32	1	206639	Knob, Threaded, 3/8-16 x 5-3/4
13	23	203100	Nut, Hex Flange, 5/16-18	33	1	203429	Knob, Plastic, 1" diameter, 3/8 nut
14	2	906918	Tank Strut	34	12*	200121	Clips
15	2	203084	Bolt, Carriage, 5/16-18 x 1-3/4	35	1	204281	Net
16	1	906914	Bracket, Pole Strut	36	1	204444	Rope Nylon, Double Loop, 1' x 24"
17	2	203217	Bolt, Carriage, 5/16-18 x 1-1/2	37	1	203124	Tie down Stake
18	2	203617	Tank Cap, 1 3/4	38	1	206909	Bolt, Carriage, 5/16-18 x 5-1/2
19	1	206110	Bolt, Carriage, 5/16-18 x 3-3/4	39	1	203449	Hook Screw
20	1	206916	Bracket, Upper Pole Mounting	40	1	201259	Label, Height Adjustment and Moving

\* You may have extra parts with this model.

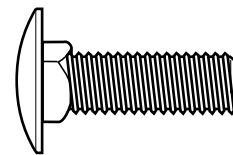
## HARDWARE IDENTIFIER



**Item #7 (4)**

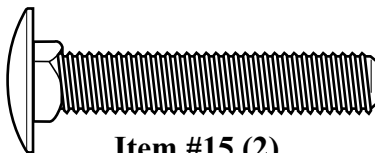


**Item #8 (11)**

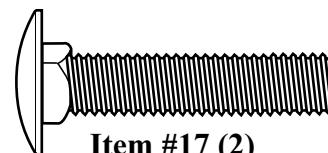


**Item #12 (11)**

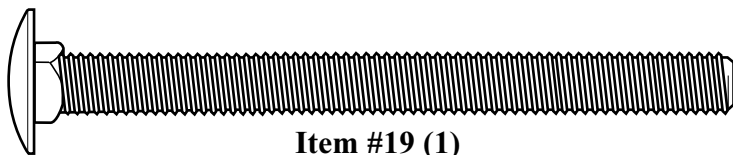
**Item #13 (23)**



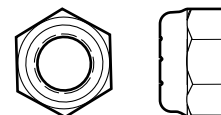
**Item #15 (2)**



**Item #17 (2)**



**Item #19 (1)**

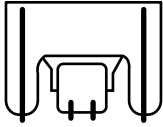


**Item #22 (1)**

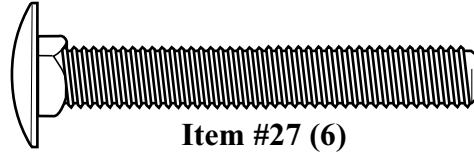
\* YOU MAY HAVE EXTRA PARTS WITH THIS MODEL.



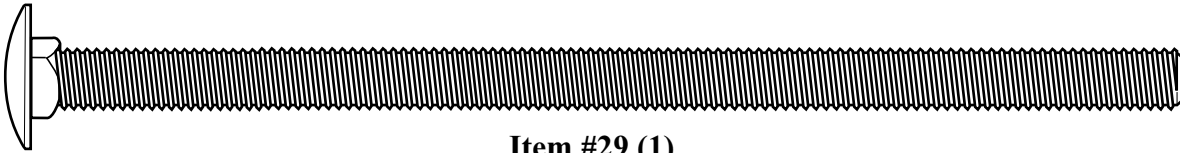
**HARDWARE IDENTIFIER (continued)**



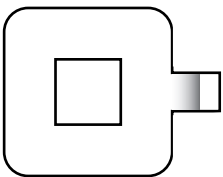
**Item #34 (12)\***



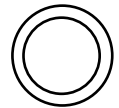
**Item #27 (6)**



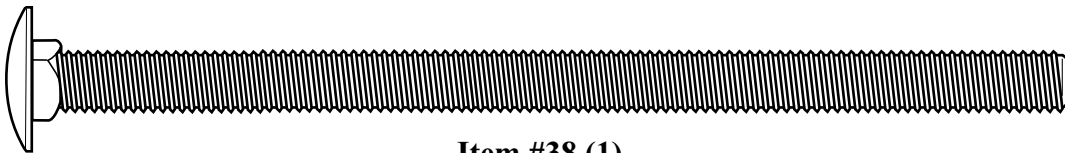
**Item #29 (1)**



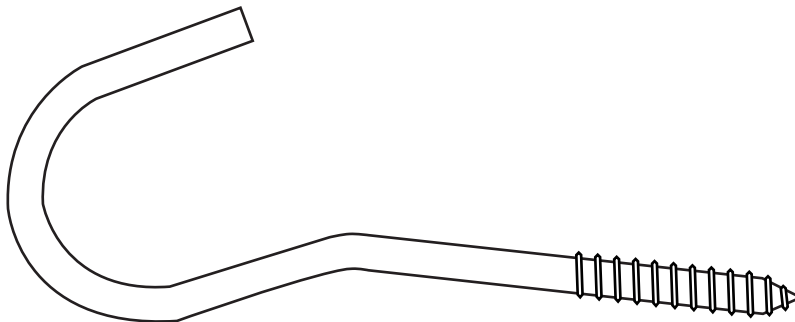
**Item #30 (1)**



**Item #31 (2)**



**Item #38 (1)**



**Item #39 (1)**



## Free Manuals Download Website

<http://myh66.com>

<http://usermanuals.us>

<http://www.somanuals.com>

<http://www.4manuals.cc>

<http://www.manual-lib.com>

<http://www.404manual.com>

<http://www.luxmanual.com>

<http://aubethermostatmanual.com>

Golf course search by state

<http://golfingnear.com>

Email search by domain

<http://emailbydomain.com>

Auto manuals search

<http://auto.somanuals.com>

TV manuals search

<http://tv.somanuals.com>