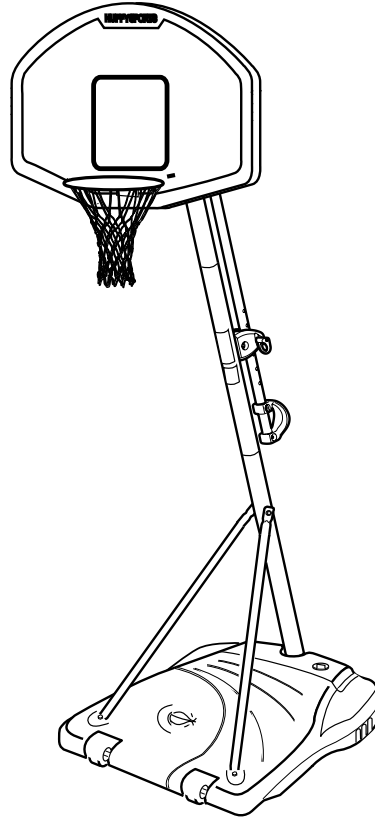


HUFFY[®]SPORTS

Portable System Owners Manual

Customer Service Center

• N53 W24700 South Corporate Circle • Sussex, WI 53089 • U.S.A.



! WARNING!

**READ AND UNDERSTAND
OPERATOR'S MANUAL
BEFORE USING THIS UNIT.**

**FAILURE TO FOLLOW
OPERATING INSTRUCTIONS
COULD RESULT IN INJURY
OR DAMAGE TO PROPERTY.**

REQUIRED TOOLS AND MATERIALS:

- Two People
- Tape Measure
- Wood Board (Scrap)
- Wrenches: (Two) 7/16", 1/2", 9/16", 3/4" or Large and Small Adjustable Wrenches
- Sawhorse or Support Table
- Step Ladder 8 ft. (2.4 m)
- Garden Hose or Sand (225 lb.) (102 kg)
- Hammer
- Tape
- Phillips Screwdriver
- Safety Goggles

Toll-Free Customer Service Number for U.S: **1-800-558-5234**,

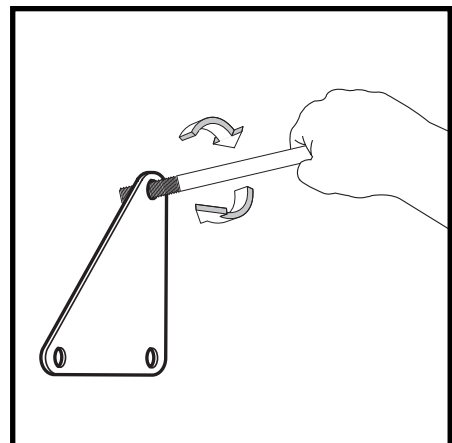
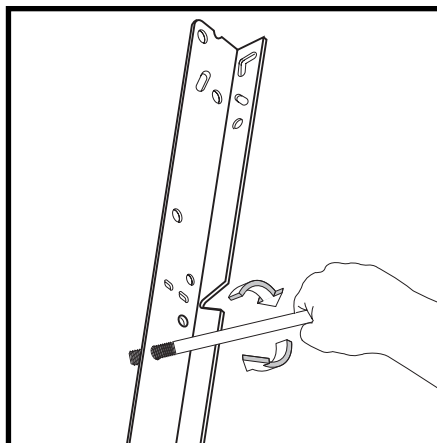
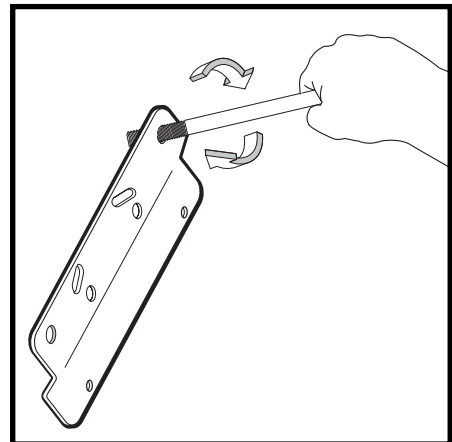
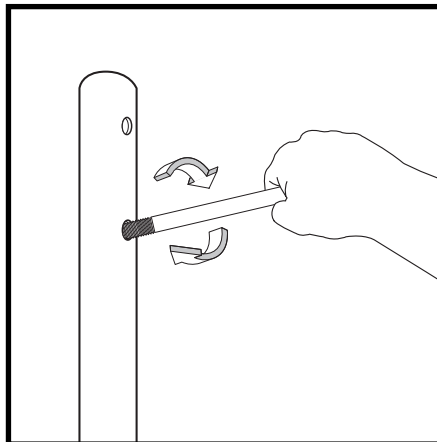
For Canada: **1-800-284-8339**,

For Europe: **00 800 555 85234** (Sweden: **009 555 85234**),

For Australia: **1-800-333 061**

Internet Address: <http://www.huffysports.com>

BEFORE YOU START!



To ensure optimal playability of backboard system, a close tolerance fit between the elevator components and hardware is required. Test-fit large bolts into large holes of elevator tubes, backboard brackets, and triangle plates. Carefully rock them in a circular motion to ream out any excess paint from holes if necessary.

AVANT DE COMMENCER !

Pour garantir l'utilisation optimale du panneau, les composants du système élévateur et la visserie doivent être bien ajustés (serrés). À titre d'essai, insérez les gros boulons dans les gros trous des tubes du système élévateur, des supports du panneau et des plaques triangulaires. Basculez-les avec précaution en imprimant un mouvement circulaire pour éliminer l'excédent de peinture, si nécessaire.

¡ANTES DE COMENZAR!

Para asegurar el óptimo rendimiento del sistema del respaldo en el juego, se requiere un ajuste de tolerancia estrecha entre los componentes del elevador y el herraje. Pruebe el ajuste de los pernos grandes en los orificios grandes de los tubos elevadores, soportes del respaldo y placas triangulares. Cuidadosamente muévalos en círculos para eliminar cualquier exceso de pintura, si es necesario.

VORBEREITENDE MASSNAHMEN

Um sicherzustellen, dass das Korbwandssystem optimal für den Spielbetrieb geeignet ist, müssen die Komponenten der Verlängerungsvorrichtung und die verschiedenen Befestigungsteile fest miteinander verschraubt werden. Große Schrauben zur Probe in die großen Löcher der Verlängerungsrohre, Korbwandklammern und Dreiecksplatte stecken und diese vorsichtig in einer Kreisbewegung hin- und herbewegen, um eventuelle Farbrückstände aus den Bohrungen zu entfernen.



WARNING

FAILURE TO FOLLOW THESE WARNINGS MAY RESULT IN SERIOUS INJURY AND/OR PROPERTY DAMAGE.

Owner must ensure that all players know and follow these rules for safe operation of the system.

- **DO NOT HANG** on the rim or any part of the system including backboard, support braces or net.
- During play, especially when performing dunk type activities, keep player's face away from the backboard, rim and net. Serious injury could occur if teeth/face come in contact with backboard, rim or net.
- Do not slide, climb, shake or play on base and/or pole.
- After assembly is complete, fill system completely with water or sand and stake to the ground. Never leave system in an upright position without filling base with weight, as system may tip over causing injuries.
- When adjusting height or moving system, keep hands and fingers away from moving parts.
- Do not allow children to move or adjust system.
- During play, do not wear jewelry (rings, watches, necklaces, etc.). Objects may entangle in net.
- Surface beneath the base must be smooth and free of gravel or other sharp objects. Punctures cause leakage and could cause system to tip over.
- Keep organic material away from pole base. Grass, litter, etc. could cause corrosion and/or deterioration.
- Check pole system for signs of corrosion (rust, pitting, chipping) and repaint with exterior enamel paint. If rust has penetrated through the steel anywhere, replace pole immediately.
- Check system before each use for proper ballast, loose hardware, excessive wear and signs corrosion and repair before use.
- Check system before each use for instability.
- Do not use system during windy and/or severe weather conditions; system may tip over. Place system in the storage position and/or in an area protected from the wind and free from personal property and/or overhead wires.
- Never play on damaged equipment.
- See instruction manual for proper installation and maintenance.
- When moving system, use caution to keep mechanism from shifting.
- Keep pole top covered with cap at all times.
- Do not allow water in tank to freeze. During sub-freezing weather add non-toxic antifreeze, sand or empty tank completely and store. (Do not use salt.)
- Use extreme caution if placing system on sloped surface. System may tip over more easily.

HUFFY[®]SPORTS

In the U.S.: 1-800-558-5234 and Canada: 1-800-284-8339

201241 2/99



Questions or Missing Parts?

DON'T go back to store!

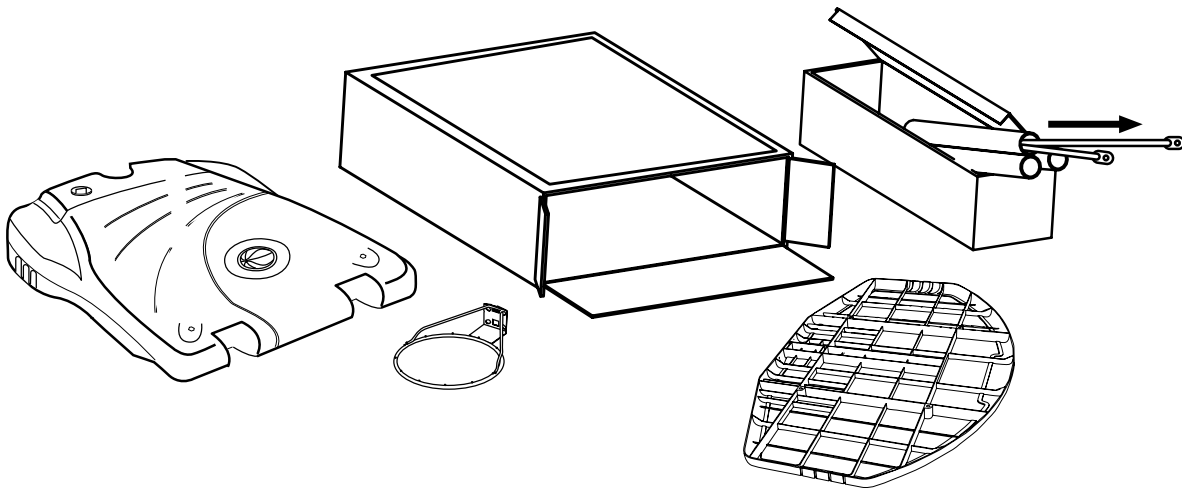
Call TOLL-FREE Customer Service
Number listed on the front page!

NOTICE TO ASSEMBLERS

ALL Huffy Sports Basketball Systems, including those used for DISPLAYS, MUST be assembled and ballasted with sand or water according to the instructions. Failure to follow instructions could result in SERIOUS INJURY. It is NOT acceptable to devise a makeshift weight system.

IMPORTANT!

**Remove all contents from boxes.
Be sure to check inside pole sections;
hardware and additional parts are packed inside.**



WARRANTY CARD:

Please remember to complete your product registration form either on-line at:
www.huffysports.com or mail-in the enclosed postcard.

WARNING: IF YOUR SYSTEM IS EQUIPPED WITH AN ACRYLIC BACKBOARD, EXAMINE BACKBOARD FOR ANY DAMAGE THAT MAY HAVE OCCURRED DURING SHIPMENT. CRACKS IN THE BACKBOARD COULD RESULT IN SUDDEN BREAKAGE. IF BACKBOARD IS DAMAGED IN ANY WAY PRIOR TO OR AFTER ASSEMBLY, CALL TOLL-FREE NUMBER FOR FREE REPLACEMENT:

U.S. 1-800-558-5234; CANADA: 1-800-284-8339; <http://www.huffysports.com>

For more information on assembly, placement, proper use, and maintenance, visit The American Basketball Council website at <http://www.smarthoops.com>.

! SAFETY INSTRUCTIONS !

FAILURE TO FOLLOW THESE SAFETY INSTRUCTIONS MAY RESULT IN SERIOUS INJURY, PROPERTY DAMAGE AND WILL VOID WARRANTY.

Owner must ensure that all players know and follow these rules for safe operation of the system.

To ensure safety, do not attempt to assemble this system without following the instructions carefully. Proper and complete assembly, use and supervision is essential for proper operation and to reduce the risk of accident or injury. A high probability of serious injury exists if this system is not installed, maintained, and operated properly. Check entire box and inside all packing material for parts and/or additional instructional material. Before beginning assembly, read the instructions and identify parts using the hardware identifier and parts list in this document.

- If using a ladder during assembly, use extreme caution.
- Two (2) people are recommended for this operation.
- Check base regularly for leakage. Slow leaks could cause system to tip over unexpectedly.
- Seat the pole sections properly (if applicable). Failure to do so could allow the pole sections to separate during play and/or transport of the system.
- Climate, corrosion or misuse could result in system failure.
- Minimum operational height is 6'6" (1.98 m) to the bottom of backboard.
- This equipment is intended for home recreational use only and NOT excessive competitive play.
- Read and understand the warning label affixed to pole. Label is shown to the right.
- The life of your basketball pole depends on many conditions: climate, placement of pole, the location of pole, exposure to corrosives such as pesticides, herbicides or salts. These are all important factors.
- If technical assistance is required, contact Huffy Sports.
- Adult supervision is recommended when adjusting height.

*Most injuries are caused by misuse and/or not following instructions.
Use caution when using this system.*

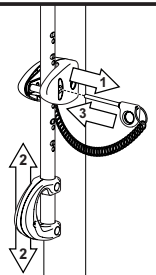
For more information on assembly, placement, proper use and maintenance, visit The American Basketball Council website at <http://www.smarthoops.com>.

54

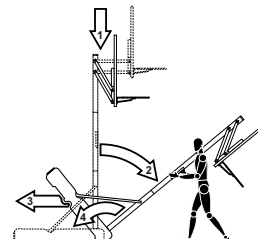
HEIGHT ADJUSTMENT

TO ADJUST BACKBOARD:

1. While holding handle, remove pin.
2. Move elevator up or down to desired height.
3. Replace pin full length to lock system at desired height.



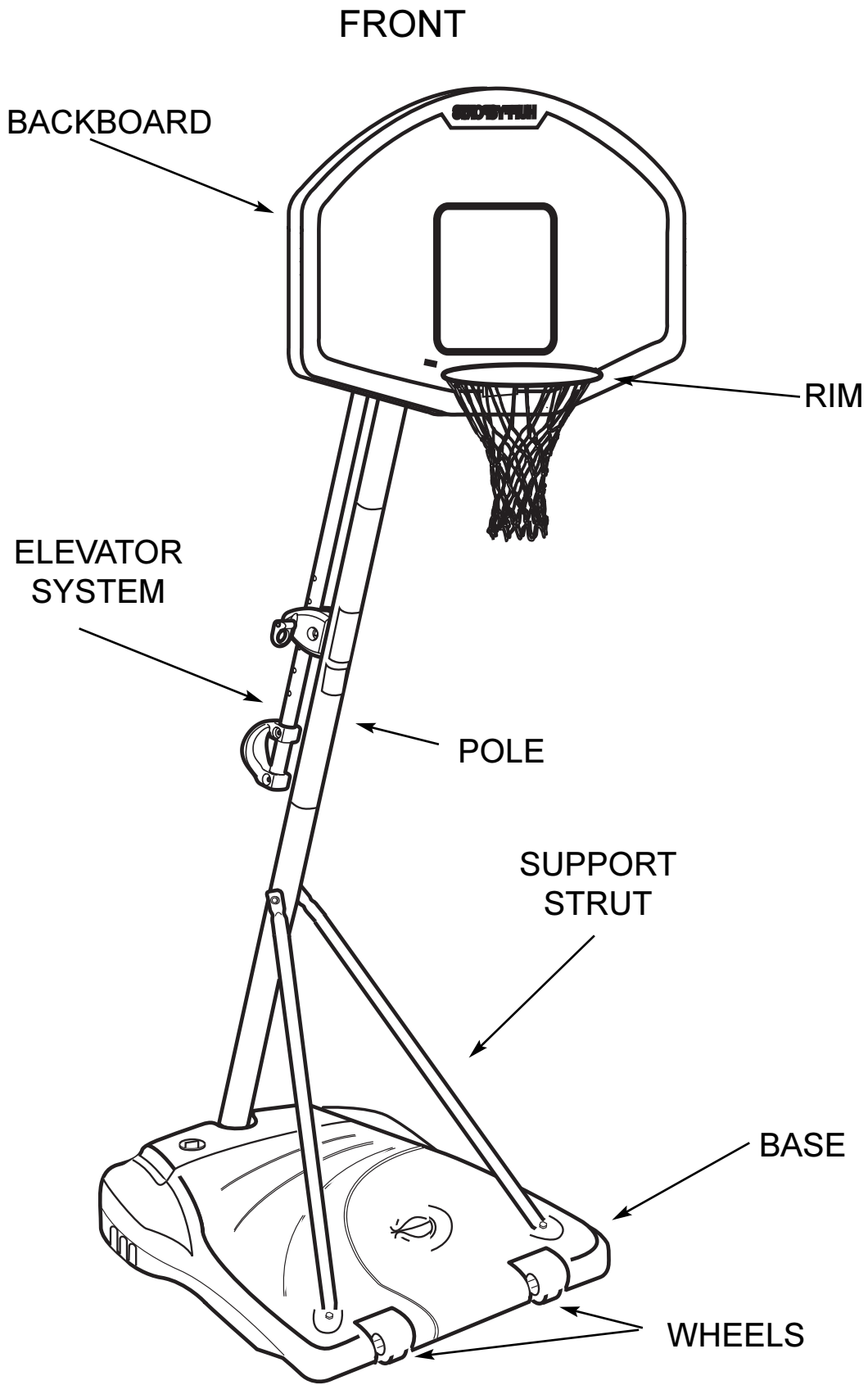
MOVING SYSTEM



1. Adjust basketball backboard height to lowest position.
2. While holding pole, rotate basketball system forward until wheels engage with ground.
3. Move basketball system to desired location.
4. Carefully rotate basketball system upright.
5. Reattach ground restraint and check system for stability.

201252 2/99

Get to know the basic parts of your basketball system.....



PARTS LIST - See Hardware Identifier

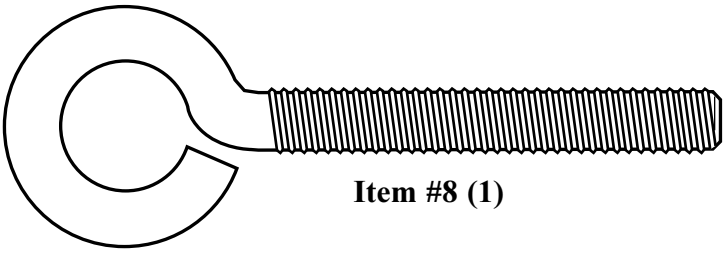
PARTS LIST - See Hardware Identifier

Item Qty. Part No. Description

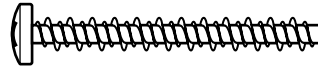
1	1	206336	Tank, (Gray)
2	2	206330	Wheel Axle, 4-1/4 Long
3	2	226401	Wheel, 4 " (Black)
4	1	904847	Top Pole Section
5	1	908481	Middle Pole Section
6	1	908487	Bottom Pole Section
7	1	202820	Rod, 3/8 O.D. x 4-3/4 Long
8	1	202822	Eyebolt, 3/8-16 x 3-3/4 Long
9	1	202821	Disk, 2-3/4 Diameter
10	1	203063	Nylon Insert Lock Nut, 3/8-16
11	2	906410	Strut, 1" O.D. x 43 Long
12	1	203220	Nut, Nylock, 5/16-18
13	7	203218	Washer, 5/16 Flat
14	1	201625	Bolt, Yellow Dichromate, 5/16-18 X 3.60 Long
15	2	203798	Bolt, Hex Flange, 5/16-18 x 1-1/2 Long
16	11	203100	Hex Flange Nut 5/16-18
17	1	204832	Bracket, Pole Mount
18	2	203231	Carriage Bolt, 5/16-18 x 3-1/2 Long
19	4	220154	Washer, metal, 3/4" O.D.
20	3	201124	Locknut, Hex Head, 3/8-16
21	3	206360	Bolt, Hex Head, 3/8-16 x 2-5/8 Long
22	2	204858	Spacer, Biscut, plastic
23	2	204857	Spacer, metal 1/2" O.D. x 1.44 Long
24	2	204859	Cover, Spring
25	3	203038	Carriage Bolt, 5/16-18 x 2-3/4 Long
26	1	204850	Pin, Locking
27	1	204853	Lanyard, Black Coil
28	1	904833	Height Adjustment Rod
29	1	204872	Label, Height Indicator
30	2	203103	Carriage Bolt, 5/16-18 x 2 Long
31	1	204803	Screw, Phillips Head
32	1	204855	Handle, Left
33	1	204856	Handle, Right
34	2	900846	Board Bracket
35	1	203493	Nut, 1/4-20, Center Lock
36	2	201129	Spacer, .402 I.D. x .5 O.D. x 1.8 Long
37	1	240017	Bolt, Hex Head, 1/4-20 x 2-1/4 Long
38	6	206311	Spacer, Plastic, .530 I.D. x .50 Long
39	7	206340	Locknut, Hex Head, 1/2-13
40	2	904820	Elevator Tube, Lower-Long
41	1	204838	Spring
42	1		Rim
43	2	904808	Elevator Tube, Upper-Short
44	4	201651	Spacer, 1/4 Long x 1/2 O.D.
45	2	900867	Plate, Triangle, (Black)
46	1	202814	Cap, Pole Top
47	6	206244	Bolt, Hex, 1/2-13 x 8 Long
48	1	204870	Bolt, Hex, 1/2-13 x 3-1/2 Long
49	2	203617	Plug Cap
50	12	201219	Smart Clip, Net Holder,
51	1		Net
52	1	201568	Anchor, T-Strap
53	1	203124	Stake, Tie Down
54	1	201252	Label, Height Adjustment and Moving
55	6	202862	Spacer .563 I.D. x 1.19 Long
56	1	203365	Rim Spacer, Plastic

* You may have extra parts with this model.

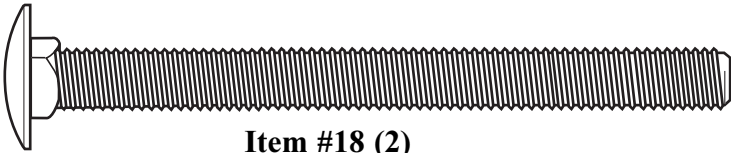
HARDWARE IDENTIFIER (BOLTS)



Item #8 (1)



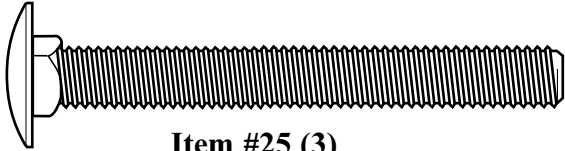
Item #31 (1)



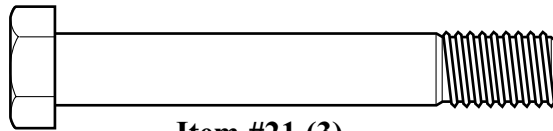
Item #18 (2)



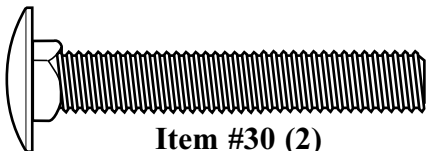
Item #37 (1)



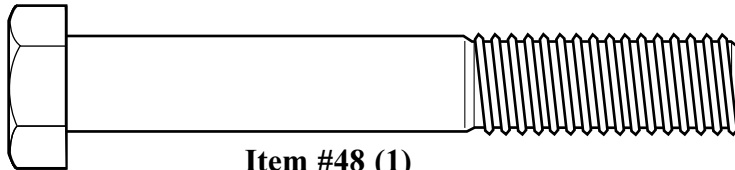
Item #25 (3)



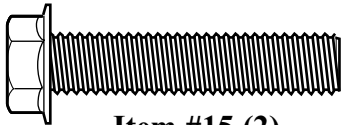
Item #21 (3)



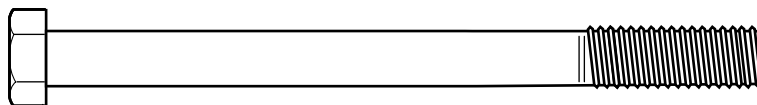
Item #30 (2)



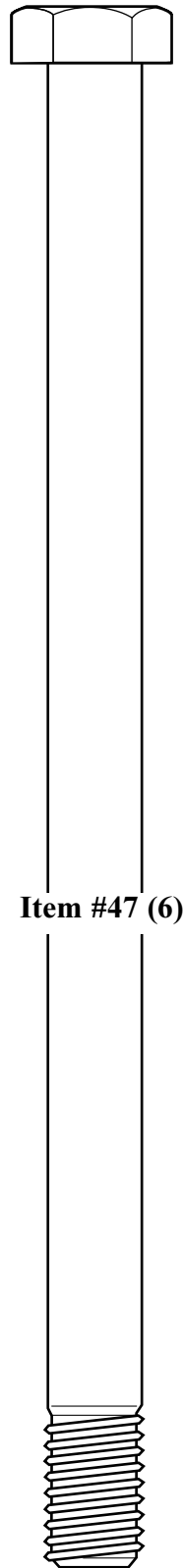
Item #48 (1)



Item #15 (2)



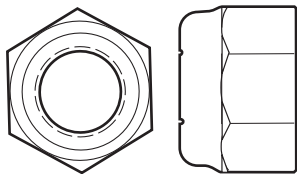
Item #14 (1)



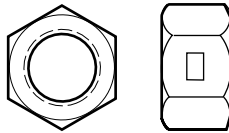
Item #47 (6)

* You may have extra parts with this model.

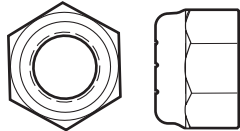
HARDWARE IDENTIFIER (NUTS & WASHERS)



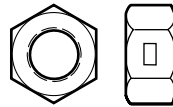
Item #39 (7)



Item #20 (3)



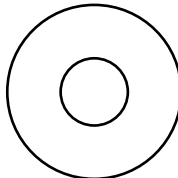
Item #10 (1)



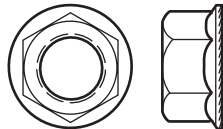
Item #35 (1)



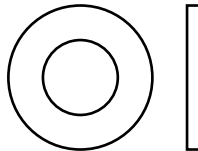
Item #12 (1)



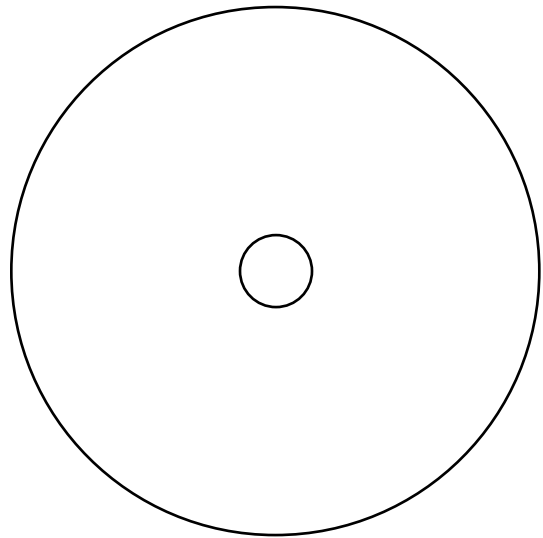
Item #13 (7)



Item #16 (11)



Item #19 (4)



Item #9 (1)

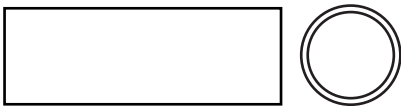
HARDWARE IDENTIFIER (STEEL SPACERS & RODS)



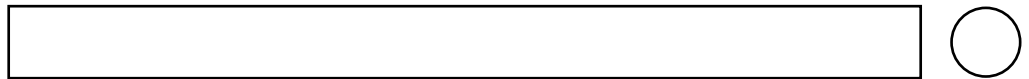
Item #36 (2)



Item #2 (2)

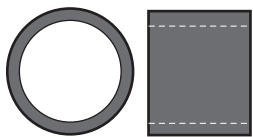


Item #23 (2)

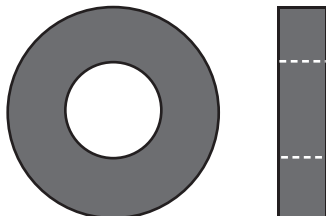


Item #7 (1)

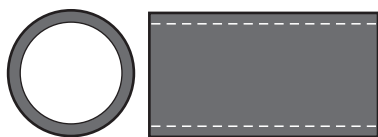
HARDWARE IDENTIFIER (PLASTIC SPACERS & CLIPS)



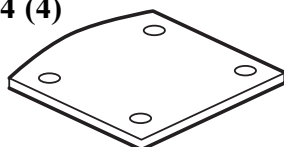
Item #38 (6)



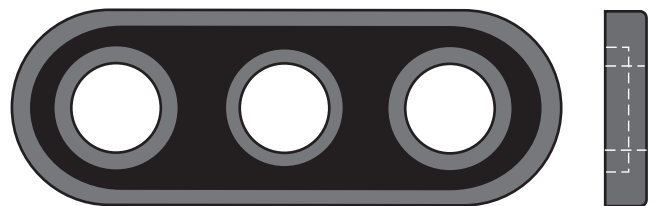
Item #44 (4)



Item #55 (6)



**Item #56 (4)
(Not Actual Size)**



Item #22 (2)

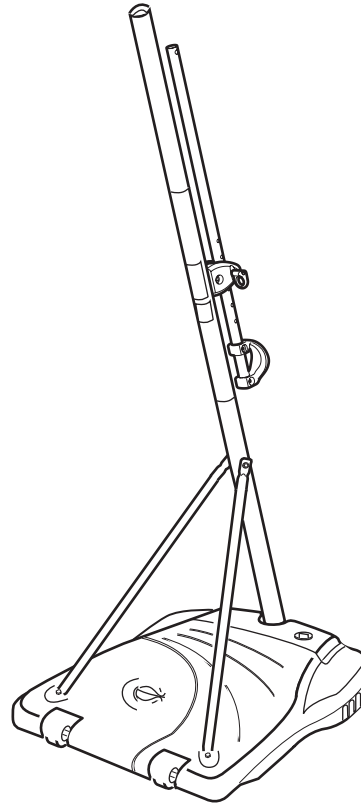


Item #50 (12)

* You may have extra parts with this model.

SECTION A: ASSEMBLE THE BASE

This is what your system will look like when you've finished this section:



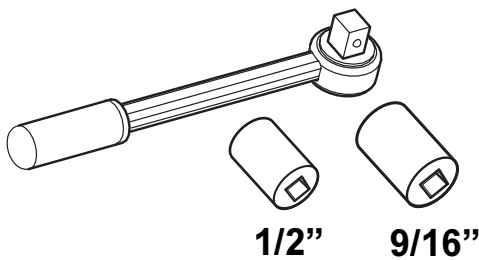
TOOLS REQUIRED FOR THIS SECTION

(2) 1/2" AND (2) 9/16" Wrenches

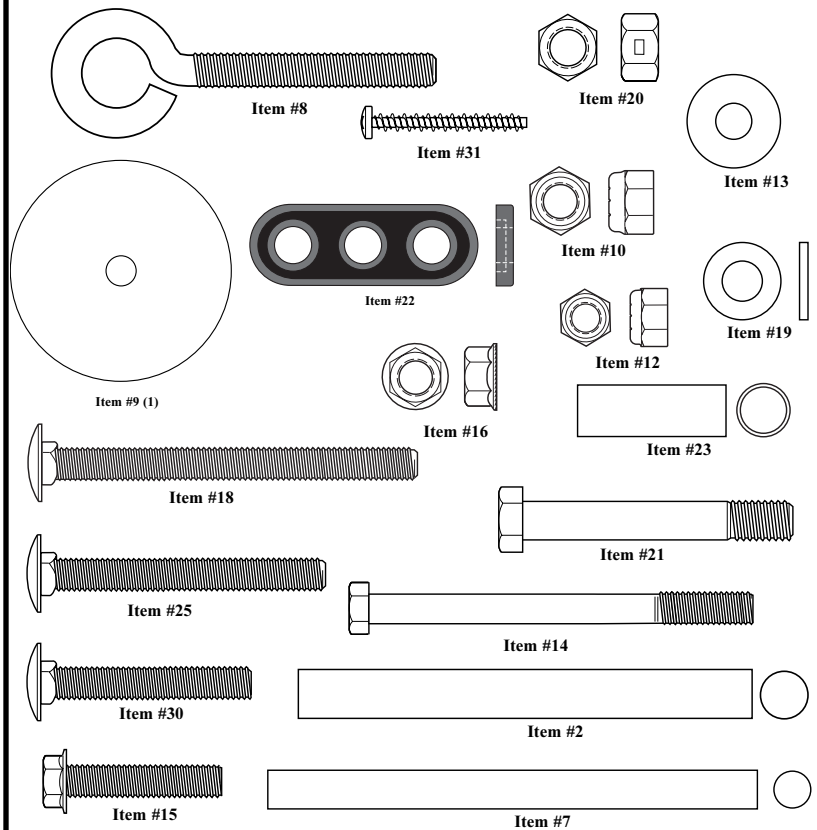


AND/OR

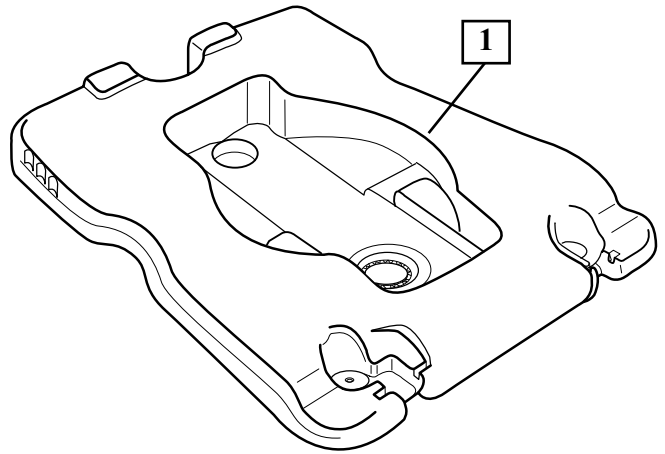
(2) Socket Wrenches and Sockets



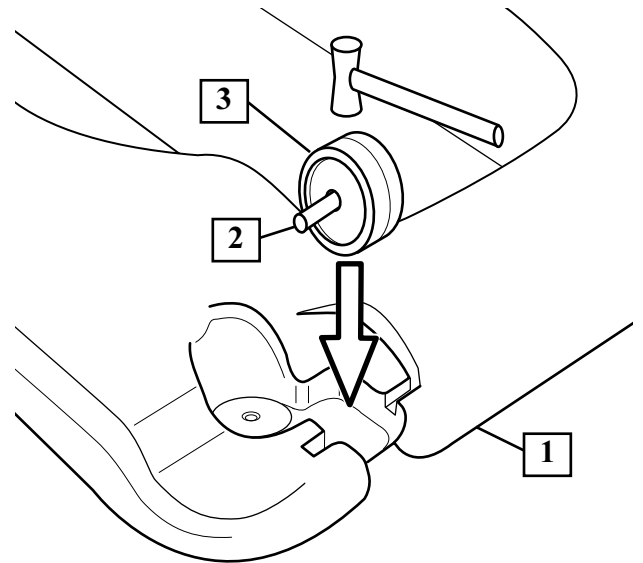
HARDWARE USED IN THIS SECTION (not actual size)



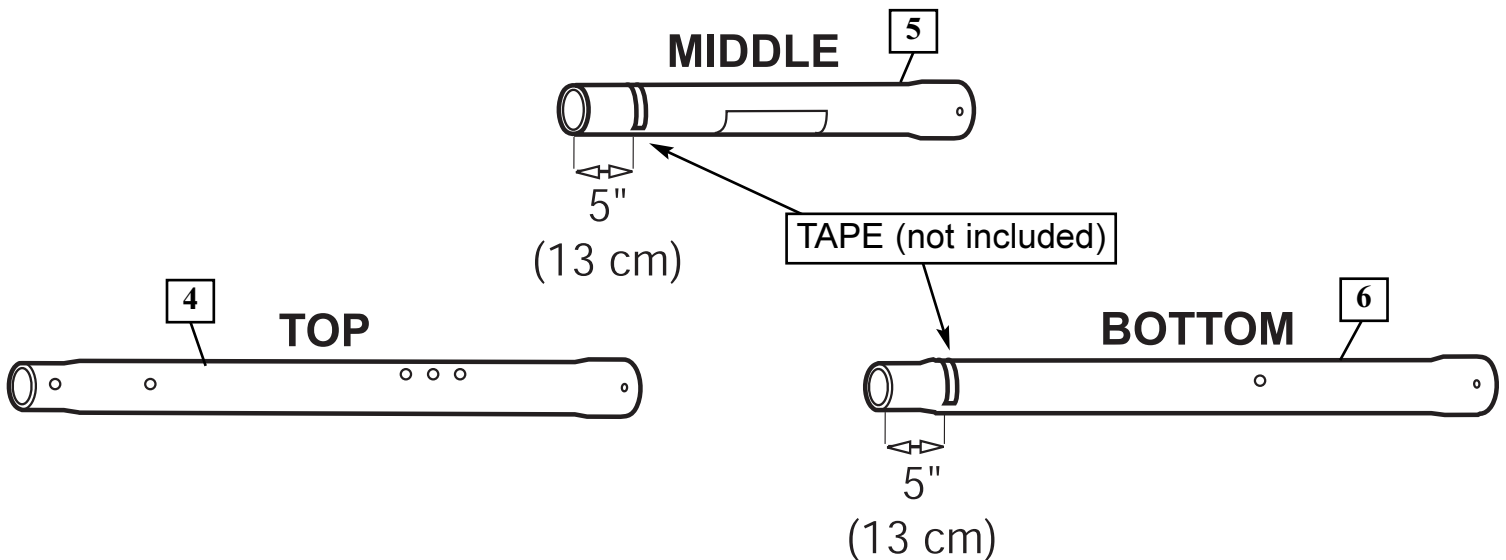
- 1.** Remove all contents from underside of tank. Keep tank (1) bottom side up



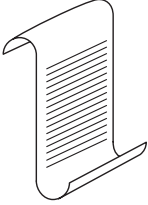
- 2.** Insert axle rod (2) through wheel (3), as shown. Secure wheel assembly to tank (1) by tapping wheel downward with hammer, snapping it into position. Repeat for opposite side, then carefully, turn tank (1) over.



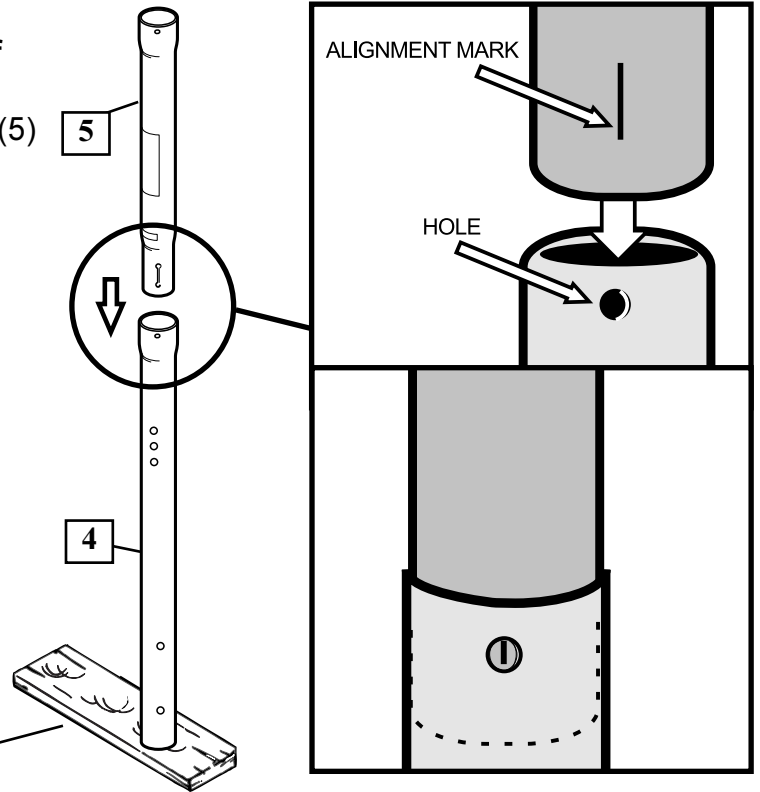
- 3.** Mark pole sections with tape as shown.



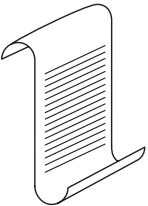
4. **IMPORTANT!** Center alignment slot of middle pole section (5) in a lower hole of top pole section (4) as shown. While maintaining alignment, bounce middle pole (5) into top pole section (4) as shown until top pole section no longer moves toward taped reference mark on middle pole. Upright assembly.

	NOTE:
	POLE SECTIONS SHOULD HAVE A 3-1/2" (9 CM) MINIMUM OVERLAP.

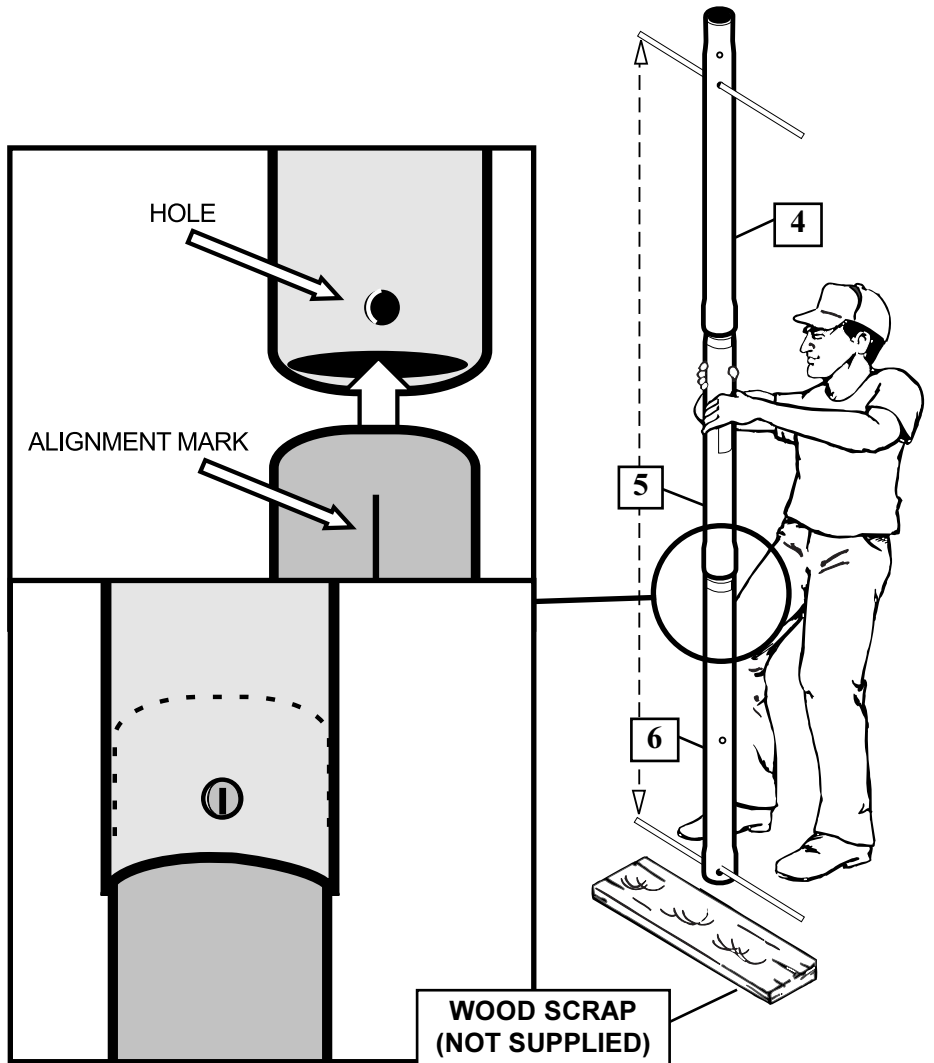
WOOD SCRAP (NOT SUPPLIED)



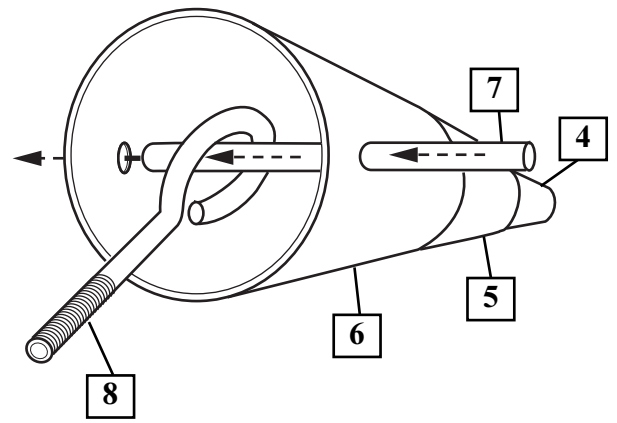
5. **IMPORTANT!** Center alignment slot of lower pole section (6) in a lower hole of middle pole section (5) as in step 3. While maintaining alignment, bounce top & middle pole assembly (4 & 5) onto lower pole section (6) as shown until top & middle pole assembly no longer moves toward taped reference mark on bottom pole.

	NOTE:
	POLE SECTIONS SHOULD HAVE A 3-1/2" (9 CM) MINIMUM OVERLAP.

WOOD SCRAP (NOT SUPPLIED)



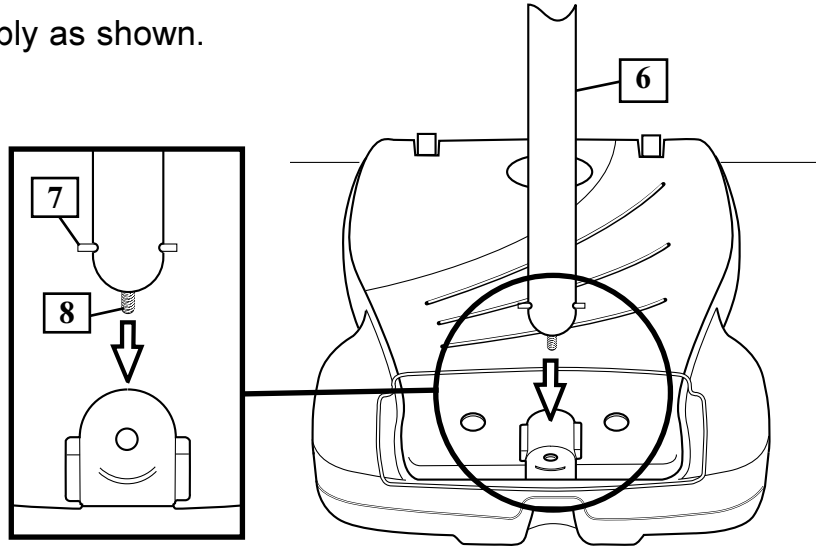
6. Install rod (7) through holes in bottom pole section (6) and eyebolt (8).



7. Insert pole assembly into tank assembly as shown.

	⚠ WARNING!
	TWO PEOPLE REQUIRED FOR THIS PROCEDURE. FAILURE TO FOLLOW THIS WARNING COULD RESULT IN SERIOUS INJURY AND/OR PROPERTY DAMAGE.

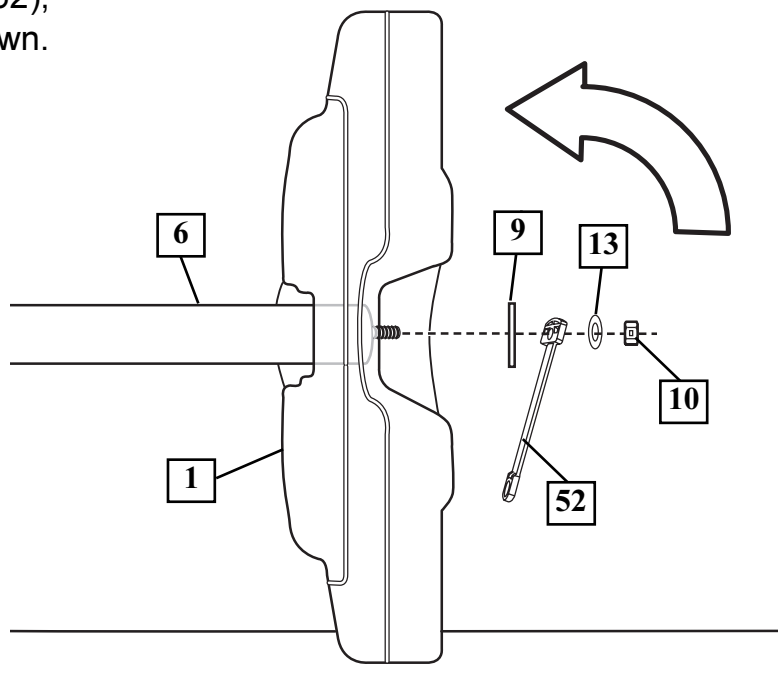
	IMPORTANT!:
	DO NOT OVER TIGHTEN



8. Carefully place unit on its side. Secure pole bottom (6) to tank with anchor strap (52), washers (9 & 13) and nut (10) as shown. Upright unit.

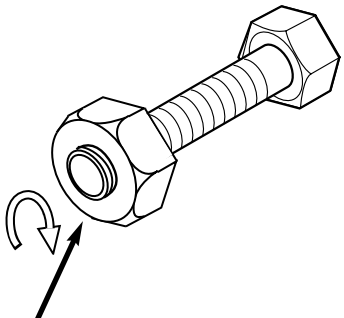
	NOTE:
	Keep unnecessary pressure off of the pole assembly when in this position. Two people recommended for this procedure.

	IMPORTANT!:
	DO NOT OVER TIGHTEN

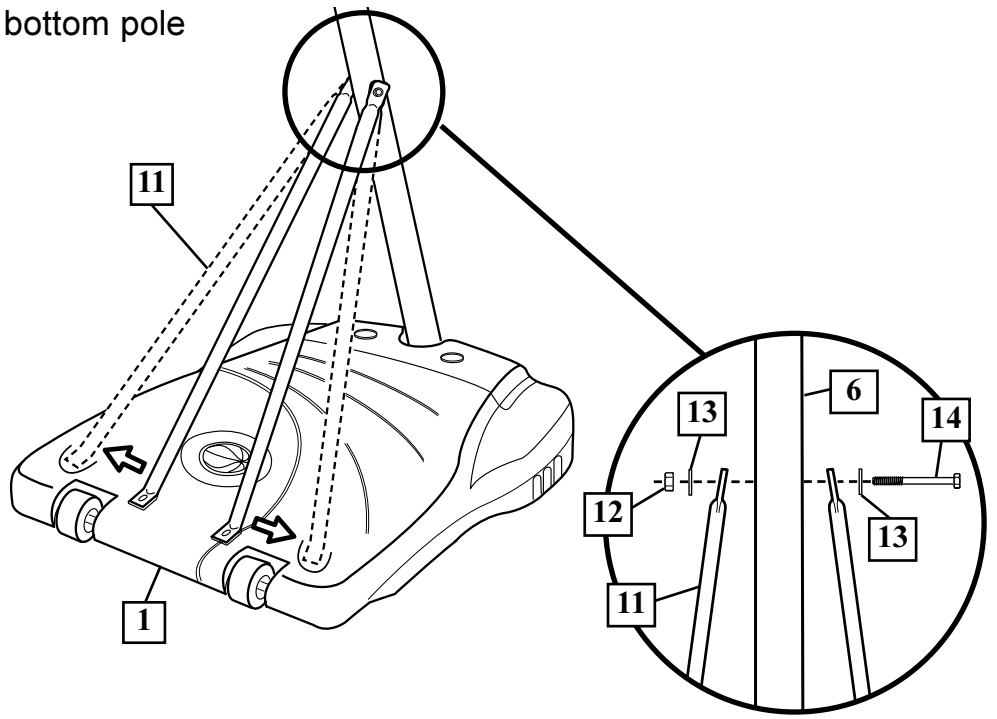


9. Secure strut tubes (11) to bottom pole section (6) as shown.

! WARNING!

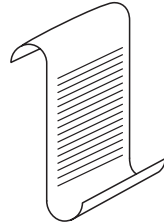


TIGHTEN BOLT (14) IN LOCK NUT (12) UNTIL FLUSH (EVEN) WITH LOCK NUT'S OUTER EDGE.

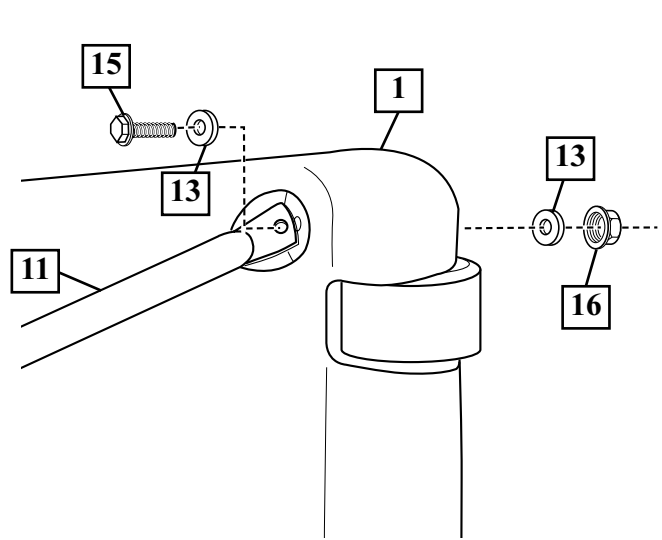


10. Once again, carefully place unit in the side position and secure strut (11) to tank (1) as shown. Completely tighten. Repeat for opposite side. Upright unit.

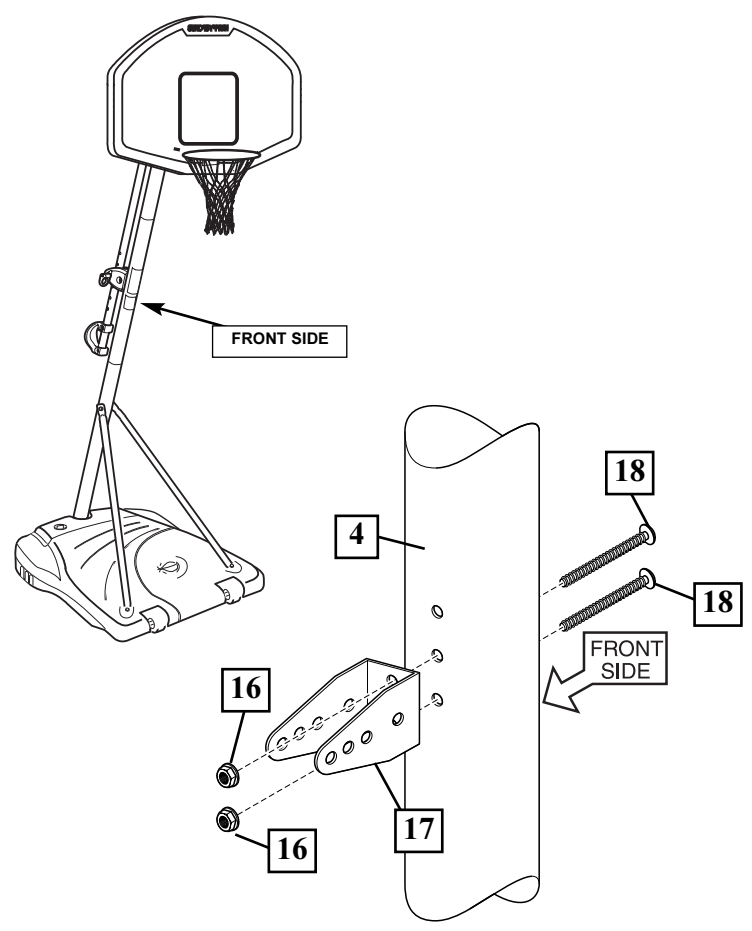
NOTE:



Keep unnecessary pressure off of the pole assembly when in this position. Two people recommended for this procedure.




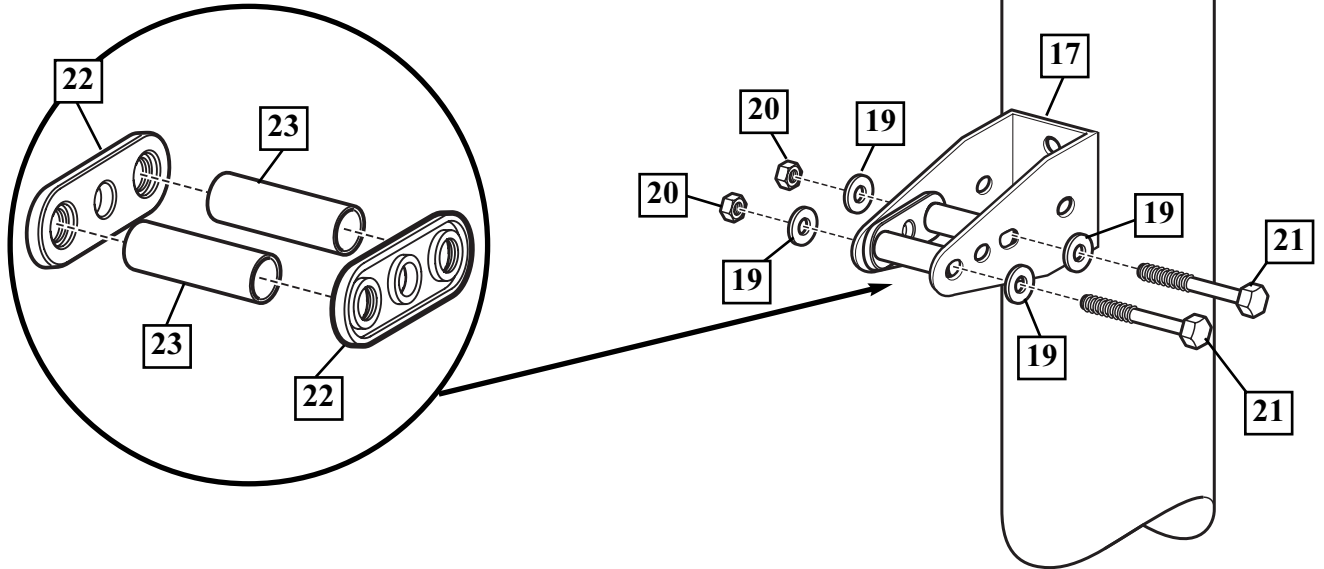
11. Install pole mount bracket (17) with carriage bolts (18) as shown. Tighten flange nuts (16) completely.



12.

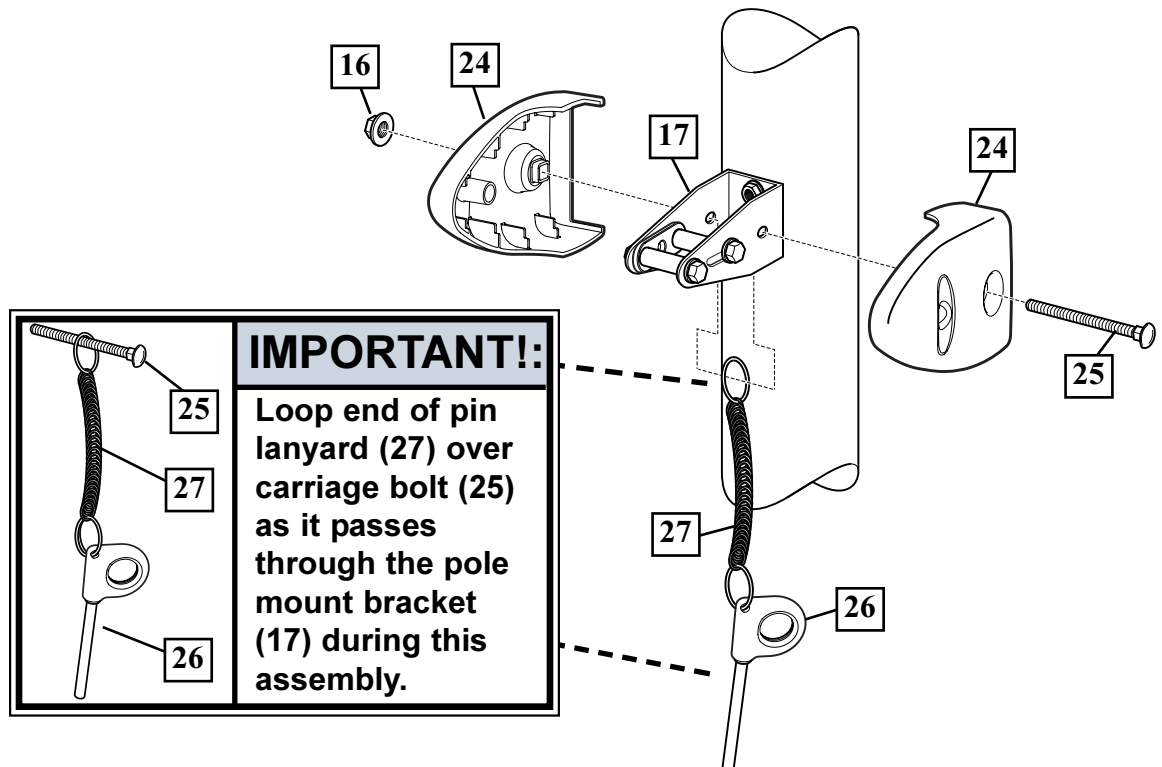
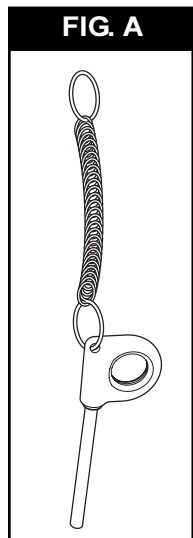
Attach spacers (22, 23) to pole mount bracket (17) with bolts (21), washers (19), and nuts (20) as shown.

	IMPORTANT!:
	Tighten just until washers (19) stop moving.



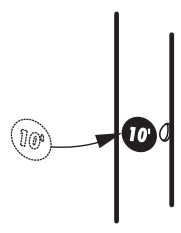
13.

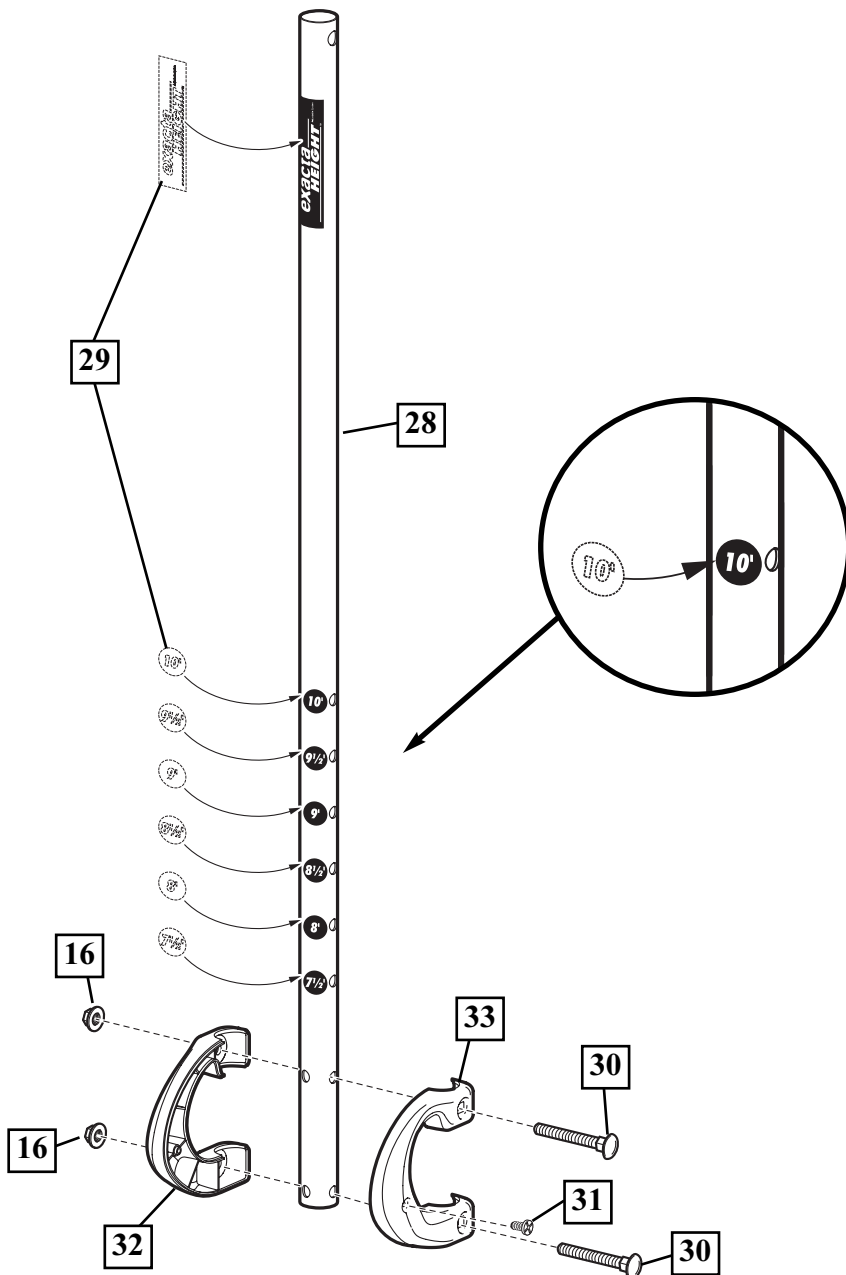
Assemble lanyard (27) to locking pin (26) as shown (**FIG A**). Attach covers (24) onto pole mount bracket (17) with carriage bolt (25) and nut (16) as shown.



14.

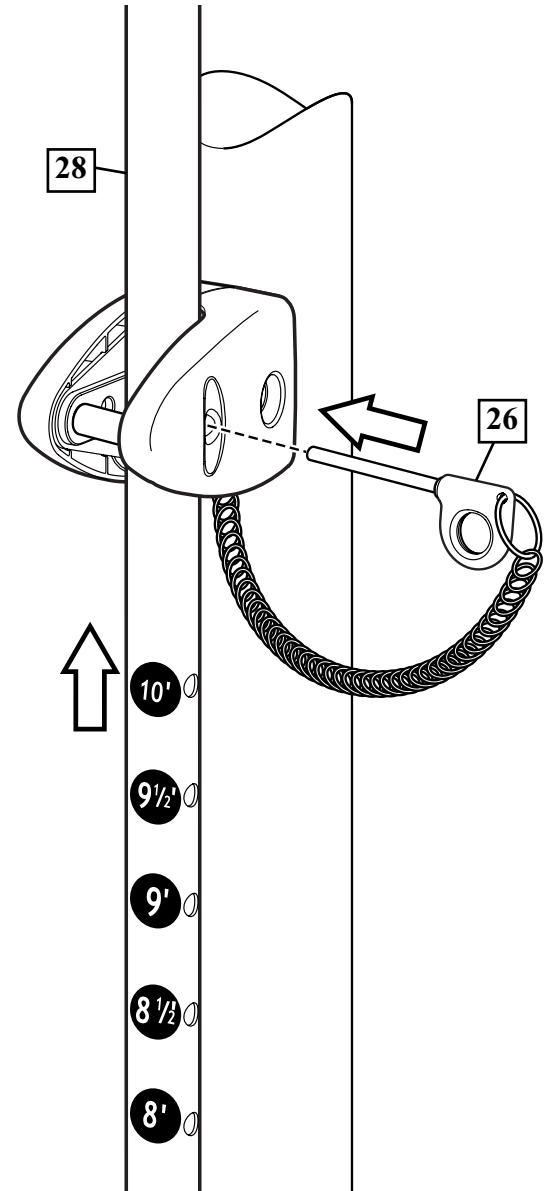
Apply logo and height indicator labels (29) to adjustment rod (28) as shown. Attach handle parts (32, 33) to adjustment rod with screw (31), carriage bolt (30), and flange nut (16) as shown.

	IMPORTANT! Indicator labels should be applied as close to holes as possible to prevent labels from being damaged during height adjustment.
---	--



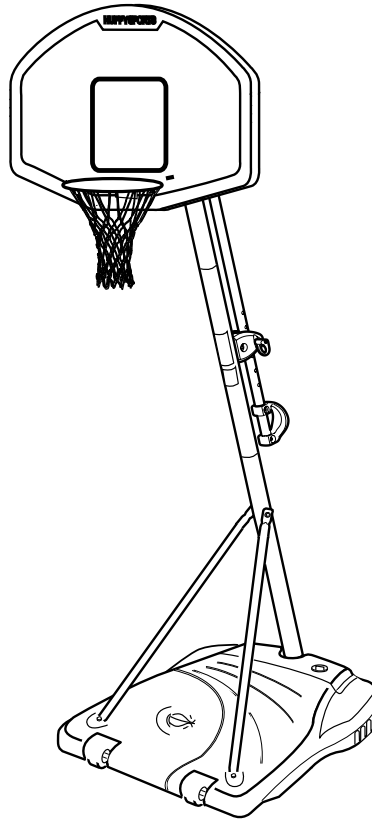
15.

Insert handle assembly through pole mount assembly as shown. Lock pole assembly in place at the 10' (3.05 m) mark with pin (26).



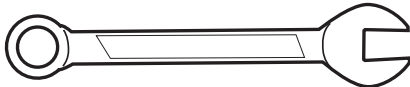
SECTION B: ASSEMBLE THE BASE

This is what your system will look like when you've finished this section:



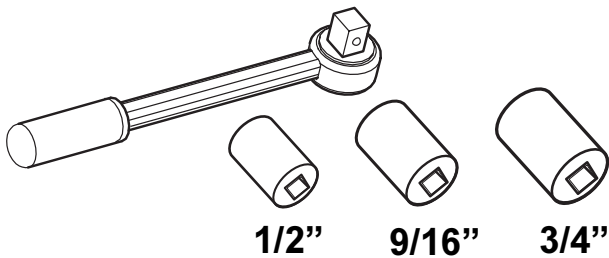
TOOLS REQUIRED FOR THIS SECTION

(2) 1/2", (2) 9/16" AND (2) 3/4" Wrenches



AND/OR

(2) Socket Wrenches and Sockets

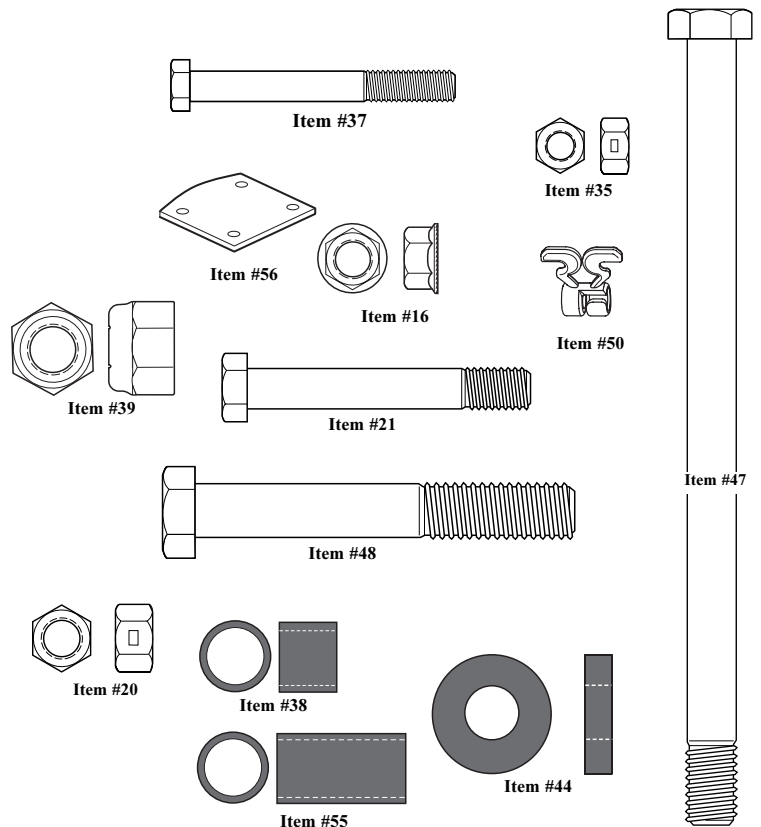


1/2"

9/16"

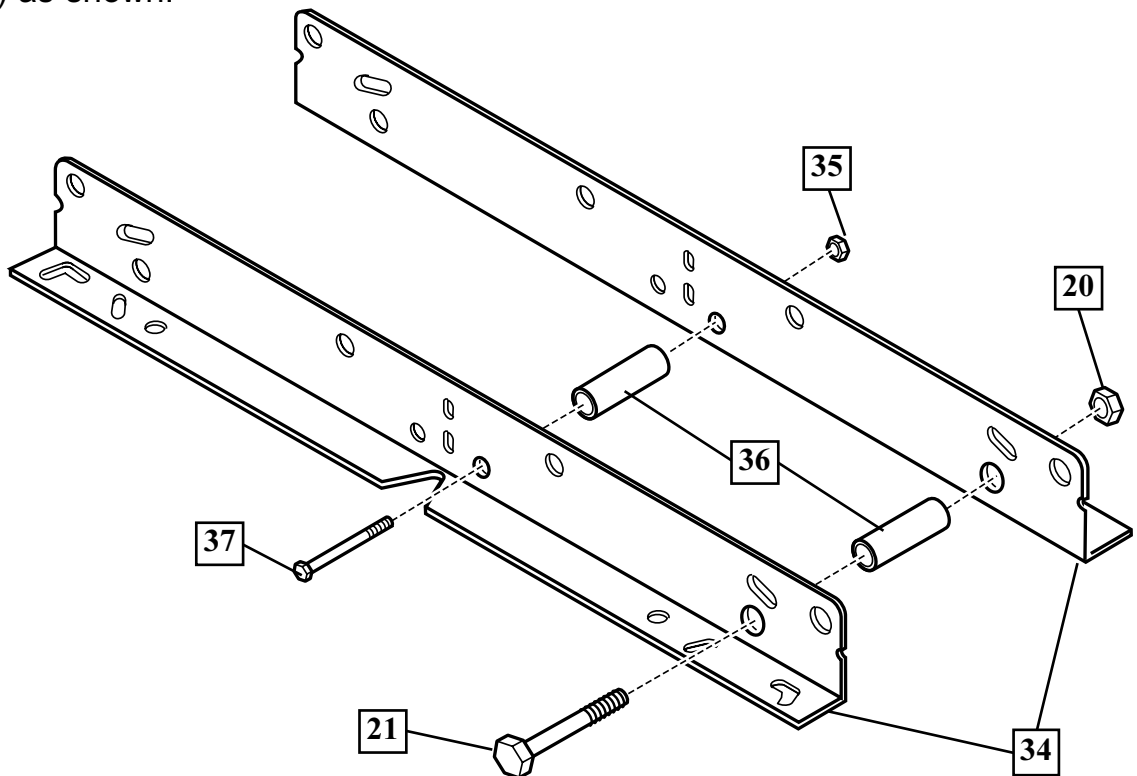
3/4"

HARDWARE USED IN THIS SECTION (not actual size)



16.

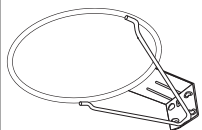
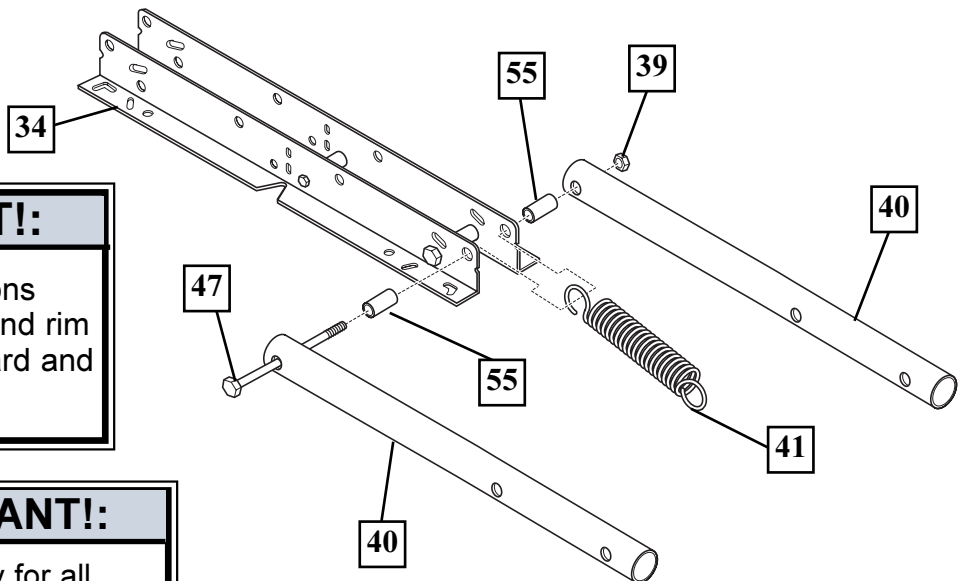
Install spacers (36) onto backboard brackets (34) with bolts (37, 21) and lock-nuts (35, 20) as shown.



17.

Assemble lower elevator tubes (40) as shown.

NOTE: Test fit bolts into holes of brackets (34) and carefully rock them in a circular motion to ream out paint from holes if necessary



IMPORTANT!:

Refer to instructions included with board and rim hardware for backboard and rim assembly.

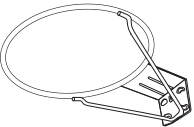


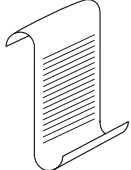
IMPORTANT!:

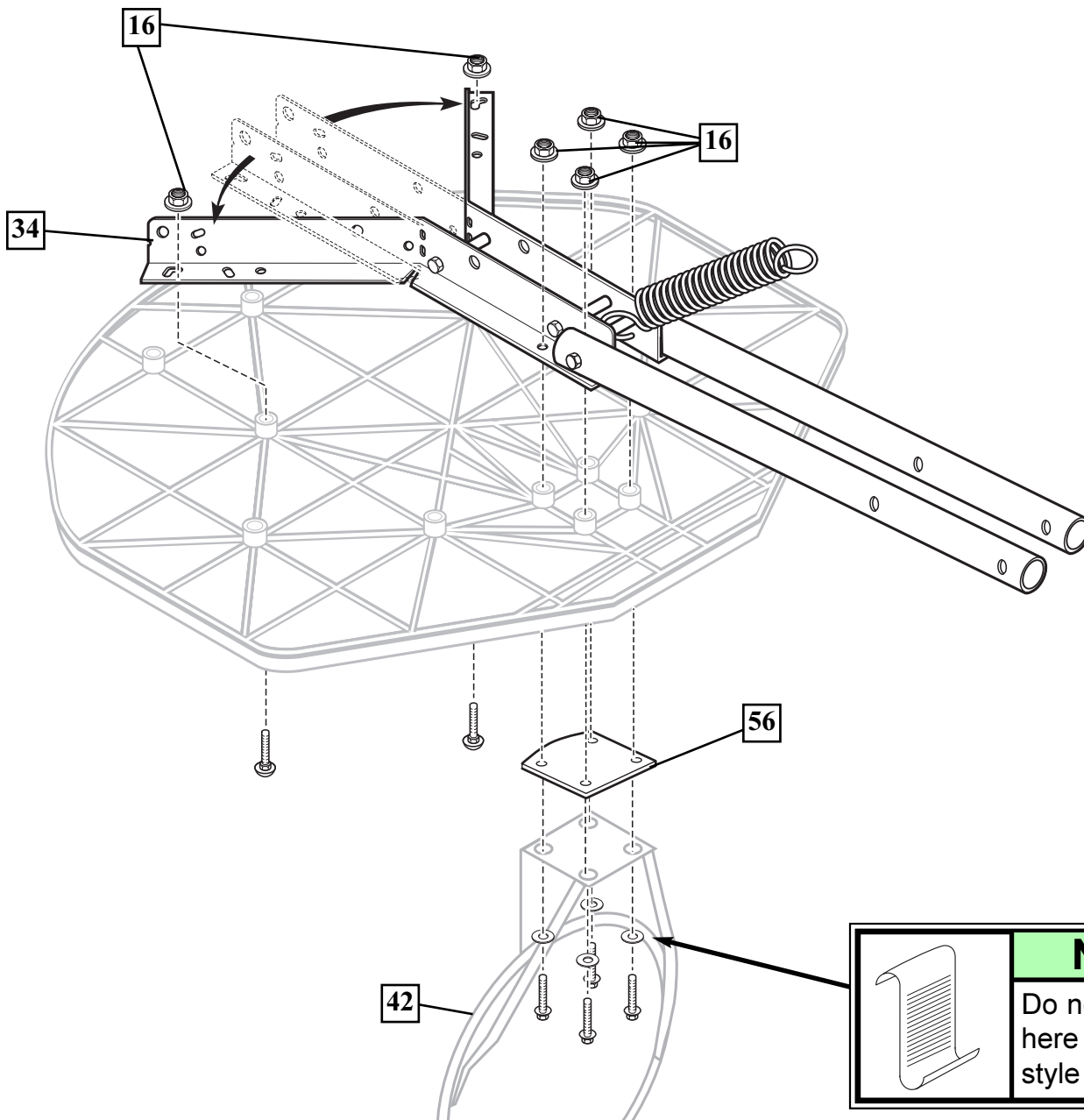
It is necessary for all parts to be installed for this mechanism to work safely and properly.

18. Starting with nuts (16) flush against bracket (34), secure rim (42) and bracket to backboard.

19. Bend bracket (34) to line up with holes in backboard and secure.

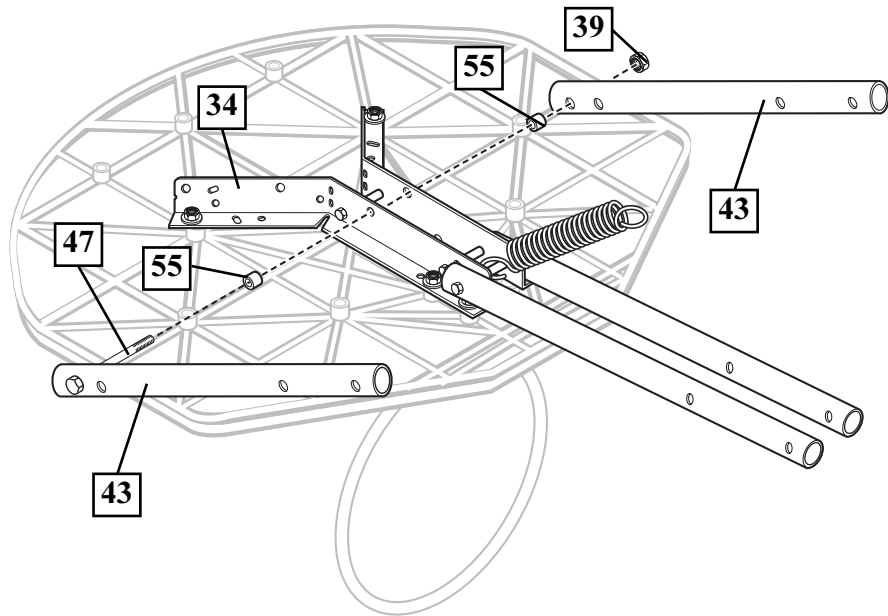
	IMPORTANT!:
	For spring loaded rim assembly, refer to instructions included with rim hardware.

	NOTE A:
	Mounting nuts and bolts supplied with rim hardware.



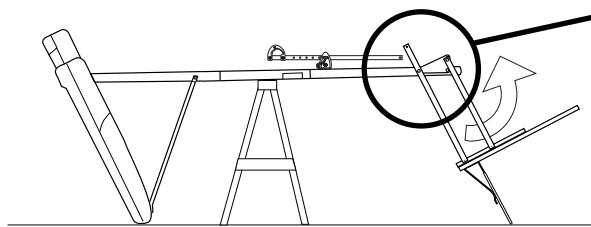
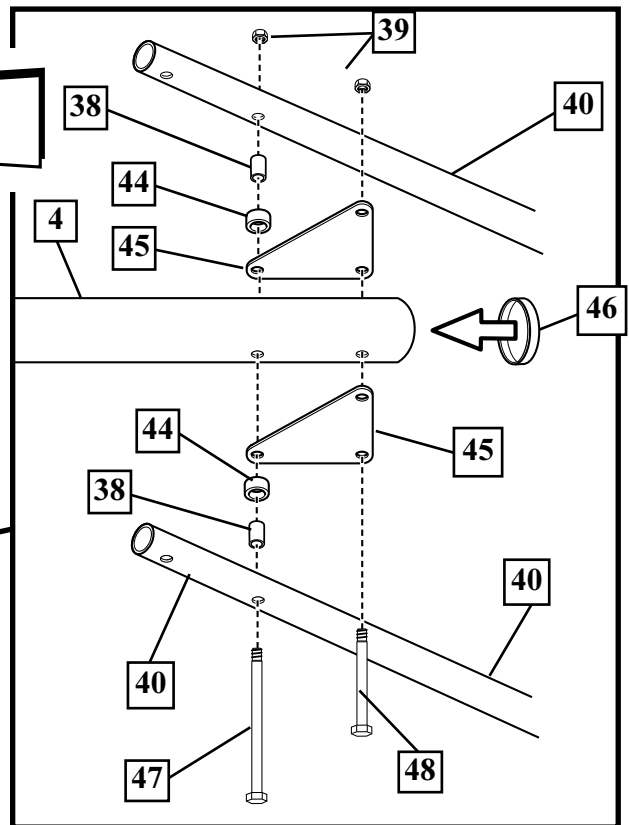
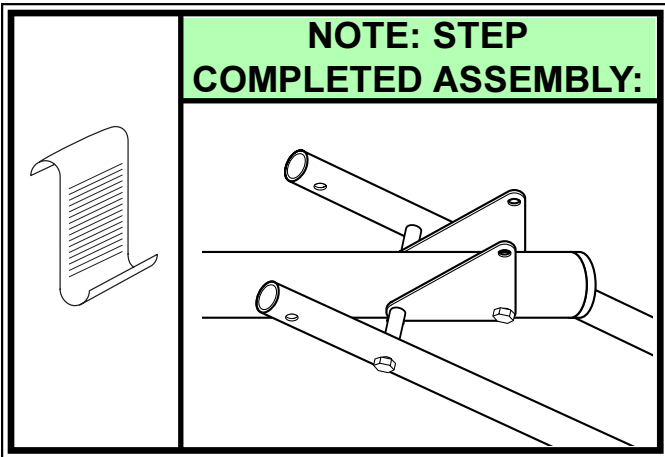
20.

Assemble upper elevator tubes (43) to backboard brackets (34).



21.

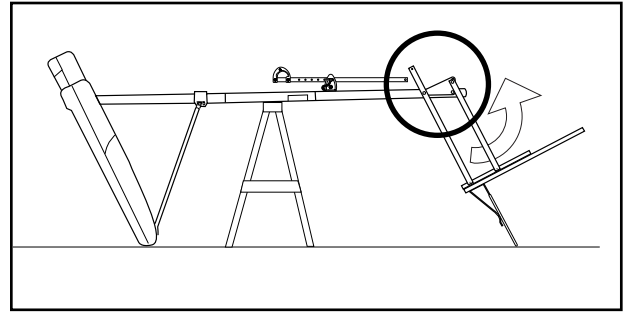
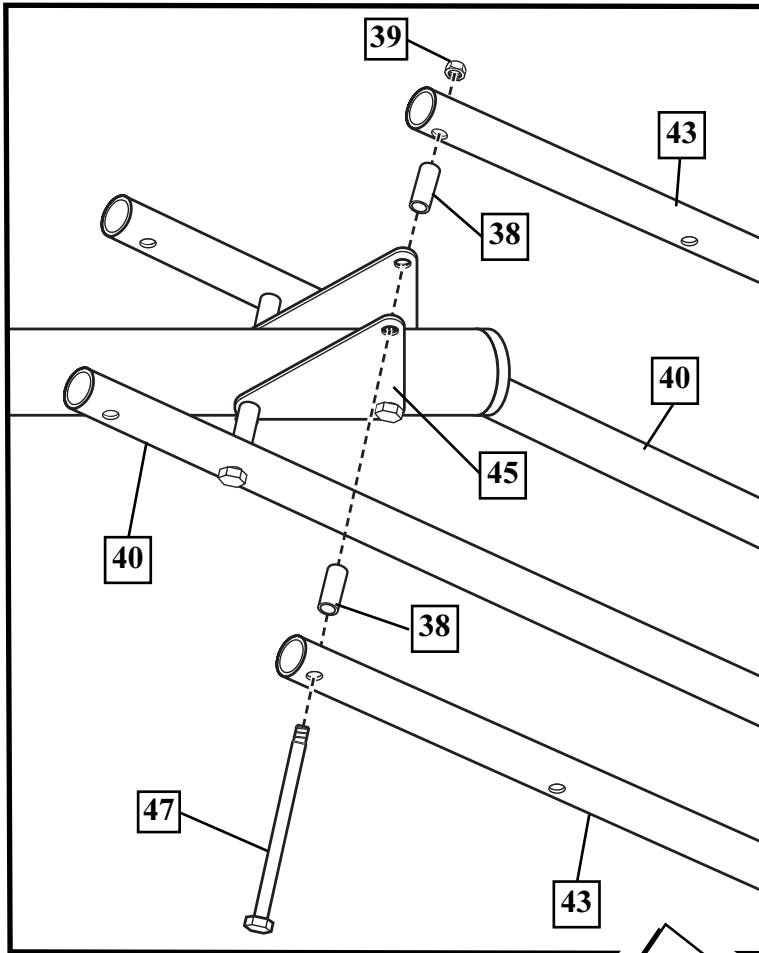
Support pole on sawhorse. Attach backboard assembly to top pole section (4) as shown. Install pole cap (46).



SAWHORSE OR SUPPORT TABLE

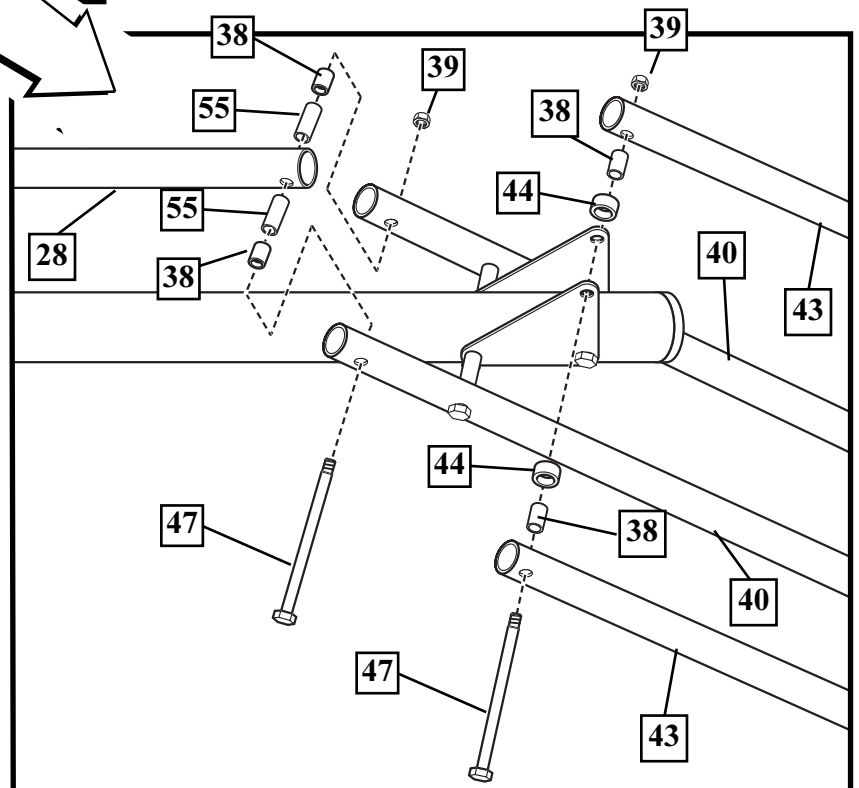
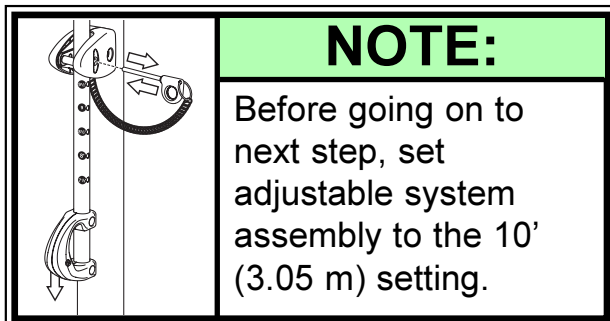
22.

Install upper elevator tubes (43) to triangle plates (45) as shown.



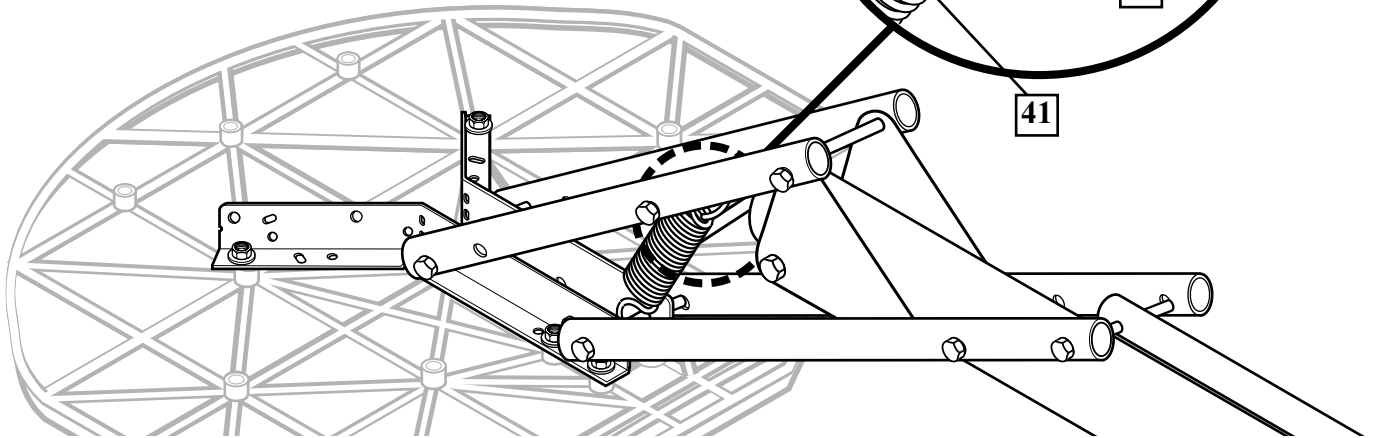
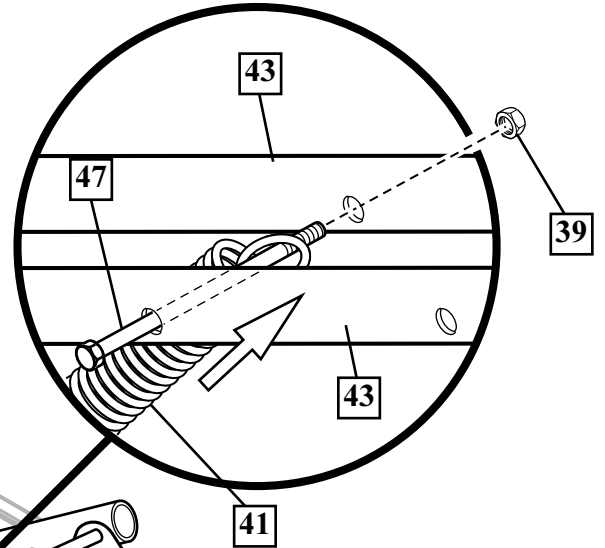
23.

Install handle assembly (28) to lower elevator tubes (40) using bolt (47), spacers (38, 55), and nut (39) as shown.



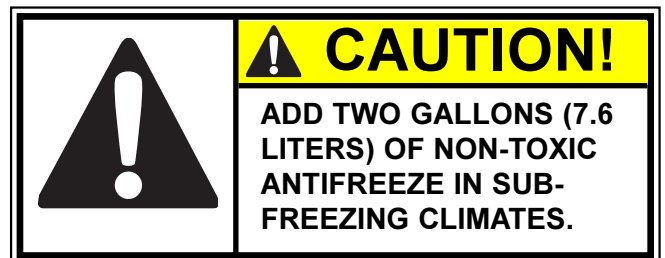
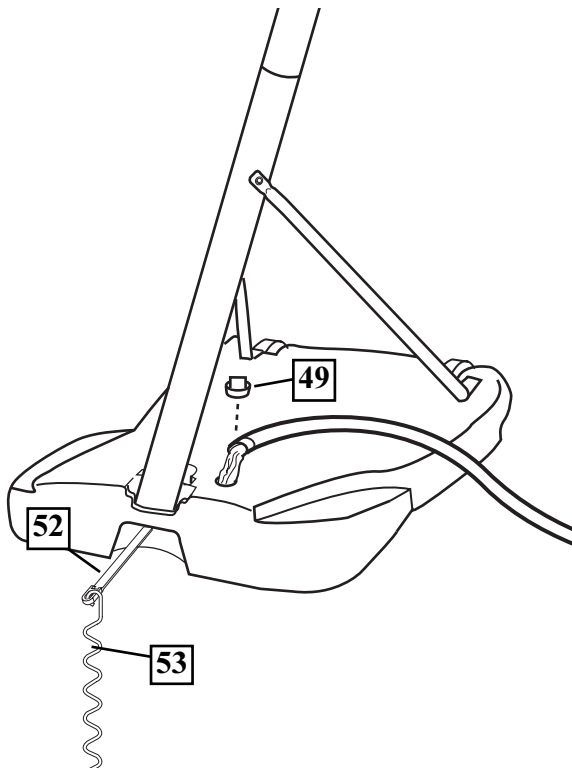
24.

Insert bolt (47) through left side upper elevator tube (43), then stretch spring (41) onto bolt (47). Insert bolt (47) through right side upper elevator tube (43) and secure with nut (39).



25.

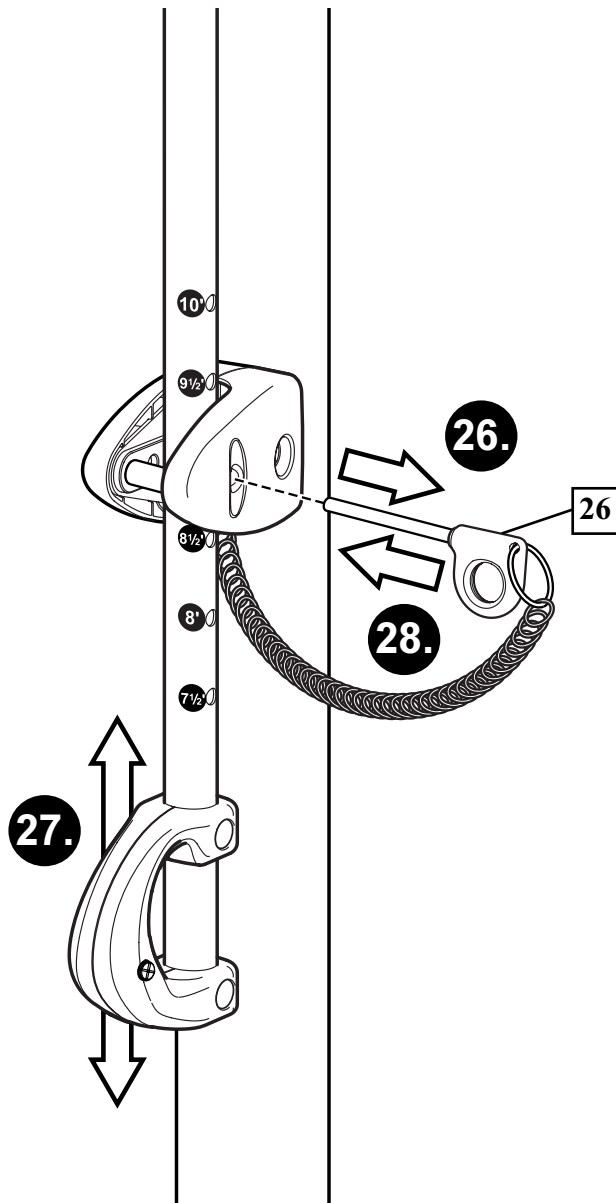
Roll completed assembly to desired position. Secure assembly to ground using anchor strap (52) and tie down stake (53). Fill tank with water (approx. 30 gallons/115 Liters) or sand (approx. 255 lbs./113 kg) and snap cap (49) in place.



26 - 28.

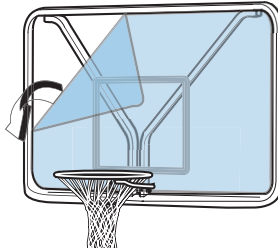
- 26. While holding handle, remove pin (26).
- 27. Move elevator up or down to desired height.
- 28. Replace pin (26) full length to lock system at desired height.

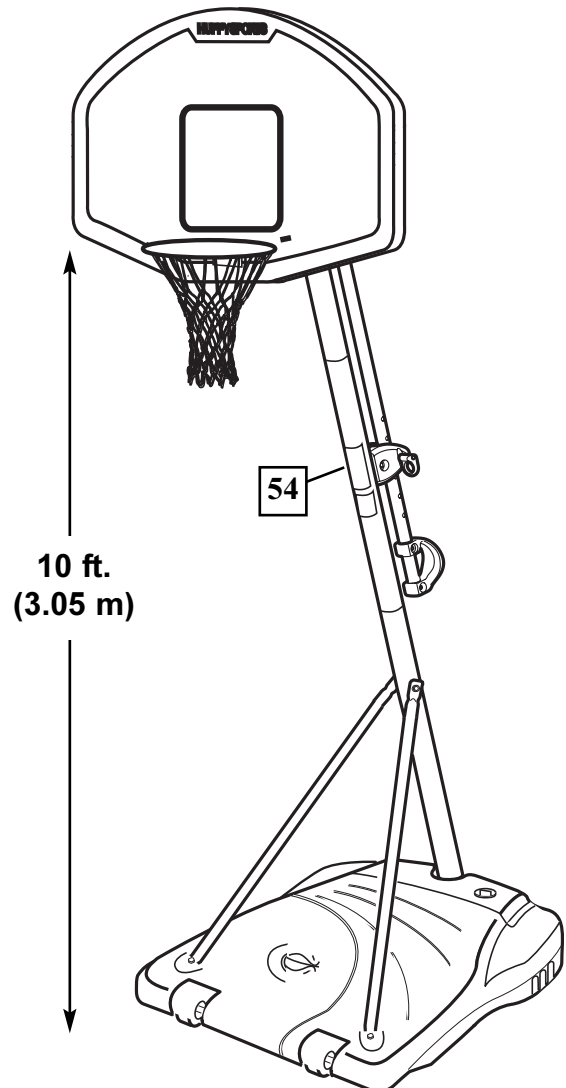
	! WARNING!
	DO NOT LEAVE ASSEMBLY UNATTENDED WHEN EMPTY; IT MAY TIP OVER.



29.

Apply height and transport label (54) to front of pole as shown.

	NOTE:
	Peel protective film from surface of acrylic backboard prior to use.



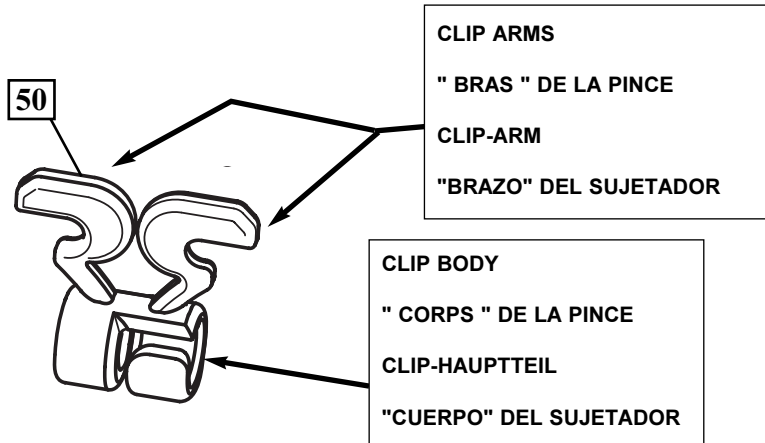
30.

Install net clips.

Attachez les pinces de filet au cerceau, comme illustré.

Die Netzhalteklammern wie gezeigt am Korbrand anbringen.

Instale los sujetadores de la red en el borde, como se muestra.



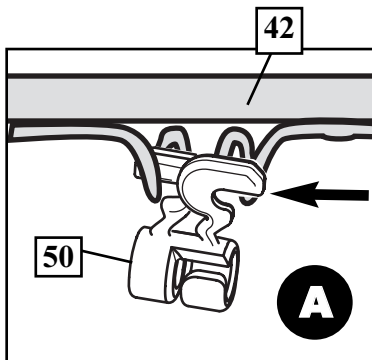
WARNING!
AVERTISSEMENT !
WARNING!
¡ADVERTENCIA!

USE OF THIS PRODUCT WITHOUT PROPER INSTALLATION OF SMART CLIPS®, OR WHEN ALL SMART CLIPS® ARE NOT PRESENT COULD RESULT IN BODILY HARM. BE SURE TO FOLLOW DIRECTIONS CAREFULLY.

L'UTILISATION DE CE PRODUIT SANS L'INSTALLATION CORRECTE DES SMART CLIPS® OU EN L'ABSENCE DE CERTAINES SMART CLIPS® EXPOSE LES JOUEURS À DES BLESSURES. VEILLEZ À SUIVRE SCRUPULEUSEMENT CES INSTRUCTIONS.

EIN GEBRAUCH DIESES PRODUKTS OHNE ORDNUNGSGEMÄSS ANGEBRACHTES SMART CLIPS® BZW. MIT FEHLENDEN SMART CLIPS® KANN VERLETZUNGEN NACH SICH ZIEHEN. DIE ANLEITUNG GENAU BEFOLGEN.

EL USO DE ESTE PRODUCTO SIN LA INSTALACIÓN ADECUADA DE LOS SUJETADORES SMART CLIP®, O LA FALTA DE ELLOS PUEDE DAR COMO RESULTADO DAÑOS CORPORALES. ASEGÚRESE DE SEGUIR CUIDADOSAMENTE LAS INSTRUCCIONES.

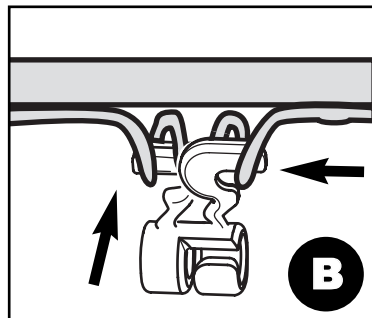


Insert one "arm" of clip into ram as shown. Twist "body" of clip slightly so that second "arm" slides over the top of the first "arm" as shown. Push in direction indicated by arrows.

Insérez un " bras " de la pince dans l'éperon, comme illustré. Tournez légèrement le corps de la pince de sorte que le second bras glisse par-dessus le premier, comme illustré. Poussez dans le sens des flèches.

Einen Arm des Clips wie gezeigt in die Spirale einsetzen. Den Hauptteil des Clips etwas drehen, sodass der zweite Arm wie gezeigt oben über den ersten Arm geschoben werden kann. In die durch die Pfeile angezeigte Richtung schieben.

Introduzca un "brazo" del sujetador en el accionador como se muestra. Tuerza ligeramente el "cuerpo" del sujetador de manera que el segundo "brazo" se deslice sobre el primer "brazo" como se muestra. Empuje hacia la dirección que indican las flechas.

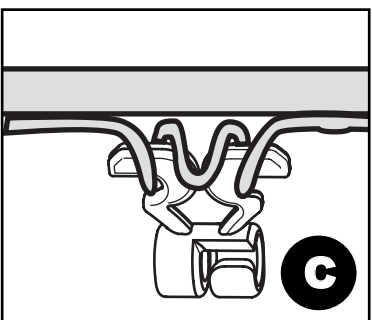


Push second "arm" back and into ram as shown.

Rétractez le second " bras " dans l'éperon, comme illustré.

In die durch die Pfeile angezeigte Richtung schieben.

Empuje el segundo "brazo" hacia atrás y hacia el accionador como se muestra.



Twist "body" of clip slightly again to spread "arms" of clip. Clip "arms" must be flat and touching edge to edge as shown, not overlapping.

Tournez légèrement le corps de la pince une nouvelle fois pour en étaler les bras. Les bras doivent être à plat et se toucher bord à bord, comme illustré, sans se chevaucher.

Den Hauptteil des Clips noch einmal leicht drehen, um die Arme des Clips zu spreizen. Die Arme des Clips müssen flach liegen und sich wie gezeigt an den Kanten berühren, ohne einander zu überlappen.

Otra vez tuerza ligeramente el "cuerpo" del sujetador para abrir los "brazos" del sujetador. Los "brazos" del sujetador deben quedar planos y tocándose de borde a borde, sin traslaparse, como se muestra.

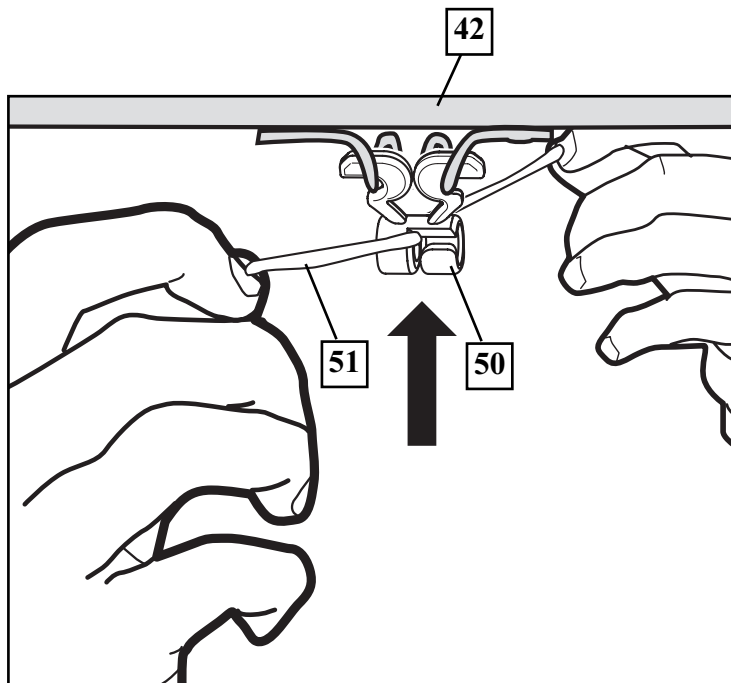
31.

Install Net

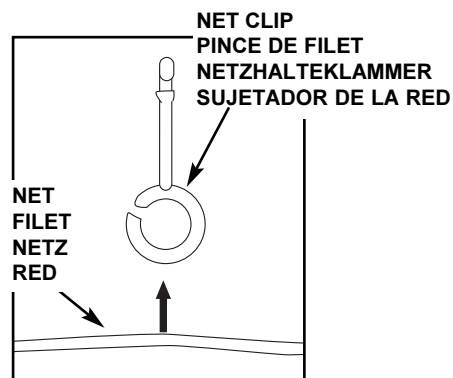
Installez le filet.

Das Netz anbringen

Instale la red.



SIDE VIEW
VUE DE CÔTÉ
SEITENANSICHT
VISTA LATERAL

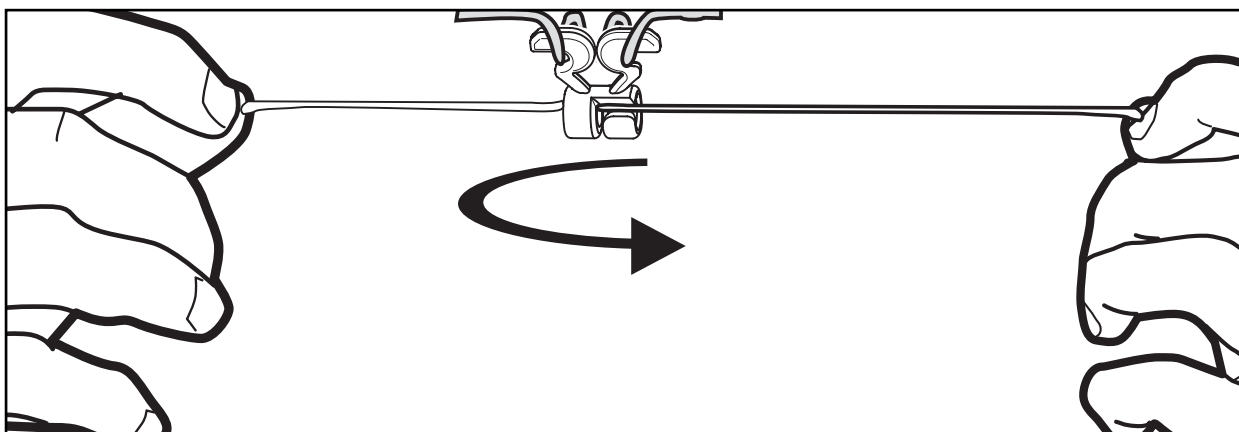


Insert net into bottom of clip as shown.

Insérez le filet dans la base de la pince, comme illustré.

Das Netz wie gezeigt unten in den Clip stecken.

Introduzca la red en la parte inferior del sujetador como se muestra.



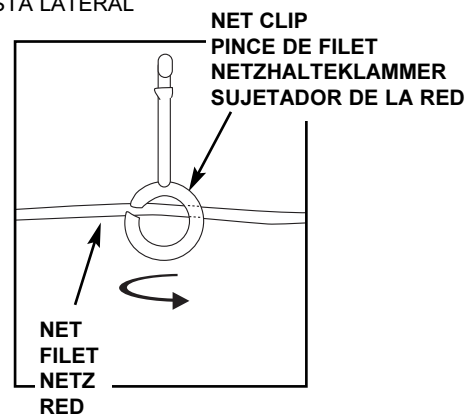
Twist net until it snaps into position.
Net must be centered through clip.

Tournez le filet jusqu'à ce qu'il s'enclenche en position.
Le filet doit être centré dans la pince.

Das Netz drehen, bis es einschnappt.
Das Netz muss im Clip zentriert werden.

Tuerza la red hasta que quede conectada en su posición.
La red debe quedar centrada a través del sujetador.

SIDE VIEW
VUE DE CÔTÉ
SEITENANSICHT
VISTA LATERAL



Free Manuals Download Website

<http://myh66.com>

<http://usermanuals.us>

<http://www.somanuals.com>

<http://www.4manuals.cc>

<http://www.manual-lib.com>

<http://www.404manual.com>

<http://www.luxmanual.com>

<http://aubethermostatmanual.com>

Golf course search by state

<http://golfingnear.com>

Email search by domain

<http://emailbydomain.com>

Auto manuals search

<http://auto.somanuals.com>

TV manuals search

<http://tv.somanuals.com>