

## IMPORTANT! In U.S. and Canada only: Have questions?...don't go back to the store!

We appreciate your purchasing one of our many fine products. We are sure that you will be very satisfied with your selection. Although great care and effort have been taken, occasionally problems may occur. To ensure prompt and correct handling of any problems, or to answer any questions, please contact our Toll-Free Customer Service Number listed below. Service will be quicker if you have your Model Number (found on carton) and assembly instructions ready when calling. PLEASE WRITE YOUR MODEL NUMBER IN THE SPACE PROVIDED ABOVE.

### SAFETY INSTRUCTIONS

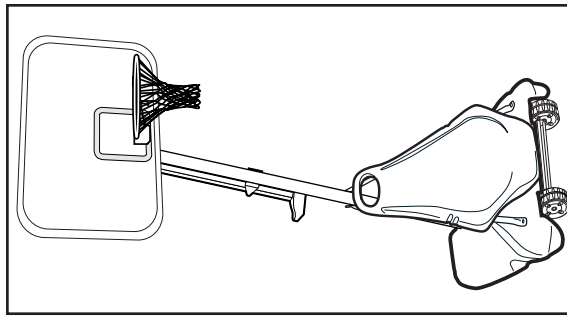
**FAILURE TO FOLLOW THESE SAFETY INSTRUCTIONS MAY RESULT IN SERIOUS INJURY, PROPERTY DAMAGE AND VOID WARRANTY.**

*Owner must ensure that all players know and follow these rules for safe operation of the system.*

To ensure safety, do not attempt to assemble this system without following the instructions carefully. Proper and complete assembly, use and supervision is essential for proper operation and to reduce the risk of accident or injury. A high probability of serious injury exists if this system is not installed, maintained, and operated properly. Check entire box and inside all packing material for parts and/or additional instructional material. Before beginning assembly, read the instructions and identify parts using the hardware identifier and parts list in this document.

- If using a ladder during assembly, use extreme caution.
  - Two (2) people are recommended for this operation.
  - Check base regularly for leakage. Slow leaks could cause system to tip over unexpectedly.
  - Seat the pole sections properly (if applicable). Failure to do so could allow the pole sections to separate during play and/or transport of the system.
  - Climate, corrosion or misuse could result in system failure.
  - Minimum operational height is 6'6" (1.98 m) to the bottom of backboard.
  - This equipment is intended for home recreational use only and NOT excessive competitive play.
  - Read and understand the warning label affixed to pole. Label is shown on page 1.
  - The life of your basketball pole depends on many conditions. The climate, placement of the pole, the location of the pole, exposure to corrosives such as pesticides, herbicides or salts are all important.
  - If technical assistance is required, contact Huffly Sports.
  - Adult supervision is recommended when adjusting height.
- Most injuries are caused by misuse and/or not following instructions. Use caution when using this system.*

For more information on assembly, placement, proper use and maintenance, visit The American Basketball Council website at <http://www.smarthoops.com>.



### NOTICE TO ASSEMBLERS

ALL Huffly Sports basketball Systems, including those used for DISPLAYS, MUST be assembled and ballasted with sand or water according to instructions. Failure to follow instructions could result in **SERIOUS INJURY**. It is **NOT** acceptable to devise a makeshift weight system.

71

#### HEIGHT ADJUSTMENT

**TO ADJUST BACKBOARD:**

1. Grasp handle and depress lever.
2. Push toward pole while holding lever. Raise or lower to desired height. Pushing forward on handle.
3. Release handle, making sure that horizontal pin is locked into slot.

#### MOVING SYSTEM

1. Adjust basketball backboard height to lowest position.
2. Rotate handle forward until wheels engage ground.
3. Move basketball system to desired location.
4. Rotate handle back to original position.
5. Reattach ground restraint and check system for stability.

### WARNING

**FAILURE TO FOLLOW THESE WARNINGS MAY RESULT IN SERIOUS INJURY AND/OR PROPERTY DAMAGE.**

*Owner must ensure that all players know and follow these rules for safe operation of the system.*

- DO NOT HANG on the rim or any part of the system including backboard, support braces or net.
- During play, especially when performing dunk type moves, the backboard, rim and net. Serious injury could occur if teeth/face come in contact with backboard, rim or net.
- Do not slide, climb, shake or play on base and/or pole.
- After assembly is complete, fill system completely with water or sand and stake to the ground. Never leave system in an upright position without filling base with weight, as system may tip over causing injuries.
- When adjusting height or moving system, keep hands and fingers away from moving parts.
- Do not allow children to move or adjust system.
- During play, do not wear jewelry (rings, watches, necklaces, etc.). Objects may entangle in net.
- Surface beneath the base must be smooth and free of gravel or other sharp objects. Punctures cause leakage and could cause system to tip over.
- Do not use any pole base. Grass, litter, etc. could cause corrosion and/or deterioration.
- Check pole system for signs of corrosion (rust, pitting, chipping) and repaint with exterior enamel paint. If rust has penetrated through the steel anywhere, replace pole immediately.
- Check system before each use for proper ballast, loose hardware, excessive wear and signs corrosion and repair before use.
- Check system before each use for instability.
- Do not use system during windy and/or severe weather conditions. System may tip over. Place system in the storage position and/or in an area protected from the wind and free from personal property and/or overhead wires.
- Never play on damaged equipment.
- See instruction manual for proper installation and shifting.
- When moving system, use caution to keep mechanism from slipping.
- Keep pole top covered with cap at all times.
- Do not allow water in tank to freeze. During sub-freezing weather add non-toxic antifreeze, sand or empty tank completely and store. (Do not use salt)
- While moving system, Do not allow anyone to stand or sit on base or have added ballasting on base.
- Do not leave system unsupervised or play on system when wheels are engaged for moving.
- Use Caution when moving system across uneven surfaces. System may tip over.
- Use extreme caution if placing system on sloped surface. System may tip over more easily.

The NBA and individual NBA member team identifications reproduced on this product are trademarks and copyrighted designs, and/or other forms of intellectual property, that are the exclusive property of NBA Properties, Inc. and the respective NBA member teams and may not be used, in whole or in part, without the written consent of NBA Properties, Inc.

**HUFFY SPORTS**  
In the U.S.: 1-800-558-5234 and Canada: 1-800-264-8339  
20246 299

## PARTS LIST - See Hardware Identifier

<i>Item</i>	<i>Qty.</i>	<i>Part No.</i>	<i>Description</i>	<i>Item</i>	<i>Qty.</i>	<i>Part No.</i>	<i>Description</i>
1	1	900149	Top Pole Section, Black	42	4	265601	Bolt, Carriage, 5/16-14 x 3-1/2 Long
2	1	904811	Middle Pole Section, Black	43	2	204840	Pin, 3 x 3/8
3	1	903407	Bottom Pole Section, Black	44	2	204841	Spring, Silver
4	1	200188	Rod, 3/8 x 5-1/4 Long Zinc	45	1	204819	Bracket, Pole Mount
5	1	202822	Eyebolt, 3/8-16 x 3-3/4 Long	46	2	203053	Bolt, Carriage, 5/16-18 x 4 Long
6	1	200117	Tank	47	1	206990	Reinforcement Bracket
7	1	203124	Stake, Tie Down	48	1	204811	Spring Cover, Handle Left Side
8	4	203063	Lock Nut, Nylon Insert, 3/8-16	49	1	204812	Spring Cover, Handle Right Side
9	2	906410	Struts, Base	50	1	206263	Bolt, Carriage, 5/16-18 x 3 Long
10	1	202662	Bolt, 5/16-18 x 4-1/2 Long	51	2	200874	Spacer, Metal
11	12	203218	Washer, Flat, 5/16 x 7/8 O.D.	52	2	900103	Bracket Backboard Support
12	1	203220	Lock Nut, Nylon Insert, 5/16-18	53	2	206360	Bolt, Hex Head, 3/8-16 x 2-5/8 Long
13	1	200516	Vinyl, Bolt Cover, 5/16	54	1	200118	Front Cover
14	2	203798	Bolt, Hex Flange, 5/16-18 x 1-1/2 Long	55	12*	201219	Smart Clip, Net Holder
15	20	203100	Lock Nut, Whiz, 5/16-18	56	2	904821	Elevator Tube, Lower (Long)
16	1	203223	Bolt, Carriage 5/16-18 X 1.00" Long	57	6	204847	Bolt, Hex Head, 1/2-13 x 9-1/2 Long
17	2	226401	Wheel 4" Diameter	58	7	206340	Lock Nut, Hex Head, 1/2-13
18	1	200123	Upper Pivot Bracket	59	4	201682	Spacer, .56 I.D. x .683 O.D. x 1.88 Long
19	1	200512	Bolt, Hex Head, 3/8-16 x 3-1/2 Long	60	4	205528	Bolt, Hex Flange, 5/16-18 x 1 Long
20	5*	203232	Washer, 3/8 I.D. x 3/4 O.D.	61	1	201568	Anchor Strap
21	1	206252	Bolt, Hex Head, 3/8-16 x 1 Long	62	1	206219	Cap, Tank-Black
22	1	206948	Lower Pivot Bracket	63	2	904807	Elevator Tubes, Upper (Short)
23	1	203330	Bolt, Hex Head, 3/8-16 x 4-1/2 Long	64	1	207103	Pole Cap
24	2	200122	Hinge Tubes	65	1	201139	Bolt, Hex Head, 1/2-13 x 4-1/2 Long
25	2	900223	Wheel Bracket	66	2	201654	Triangle Plate
26	4	203103	Bolt, Carriage, 5/16-18 x 2 Long	67	8	202862	Spacer, Plastic, 1/2 I.D. x 1-1/4 Long
27	2	226403	Wheel 6" Diameter	68	2	204838	Spring
28	2	206940	Axle, .461 O.D. x 21 Long	69	1		Rim
29	4	206938	Push Caps	70	1	204290	Net
30	1	206956	Disc, Plastic, 5" O.D. x .0625 Thick	71	1	211249	Label, Height and Moving
31	1	204839	Tinnerman Nut				
32	1	904816	Inner Channel				
33	1	904815	Outer Channel				
34	1	204813	Handle, Height Adjustment				
35	2	203217	Bolt, Carriage, 5/16-18 x 1-1/2 Long				
36	1	203679	Bolt, Hex Head, 3/8-16 x 2 Long				
37	3	201124	Lock Nut, Hex, 3/8-16				
38	1	204814	Trigger, Height Adjustment				
39	1	203589	Bolt, Hex Head, 5/16-18 x 1-1/4 Long				
40	1	201125	Ratchet Spring				
41	1	211257	Label, Accuheight				

\*You may have extra parts with this model.

### WARRANTY CARD:

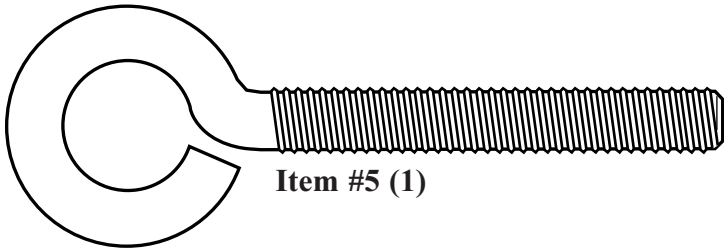
Please remember to complete your product registration form either on-line at:  
[www.huffysports.com/warrantycard](http://www.huffysports.com/warrantycard)  
 or mail-in the enclosed postcard.

**WARNING:** IF YOUR SYSTEM IS EQUIPPED WITH AN ACRYLIC BACKBOARD, EXAMINE BACKBOARD FOR ANY DAMAGE THAT MAY HAVE OCCURRED DURING SHIPMENT. CRACKS IN THE BACKBOARD COULD RESULT IN SUDDEN BREAKAGE. IF BACKBOARD IS DAMAGED IN ANY WAY PRIOR TO OR AFTER ASSEMBLY, CALL TOLL-FREE NUMBER FOR FREE REPLACEMENT:  
 U.S. 1-800-558-5234; CANADA: 1-800-284-8339; <http://www.huffysports.com>

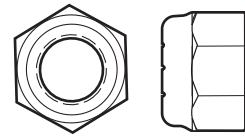
**HARDWARE IDENTIFIER**



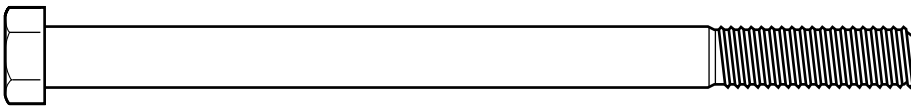
**Item #4 (1)**



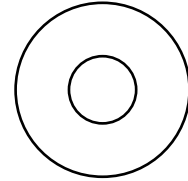
**Item #5 (1)**



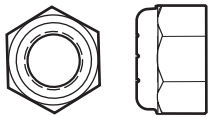
**Item #8 (4)**



**Item #10 (1)**



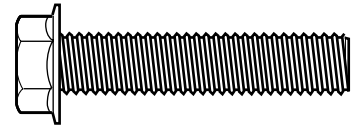
**Item #11 (12)**



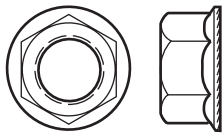
**Item #12 (1)**



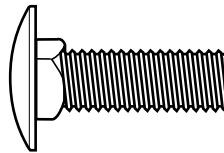
**Item #13 (1)**



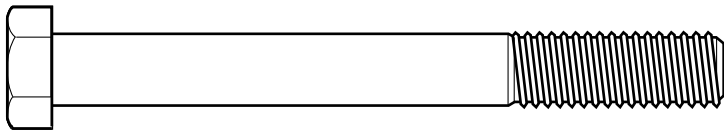
**Item #14 (2)**



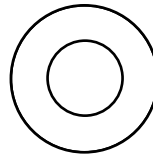
**Item #15 (20)\***



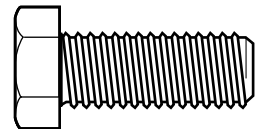
**Item #16 (1)**



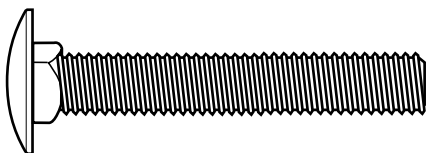
**Item #19 (1)**



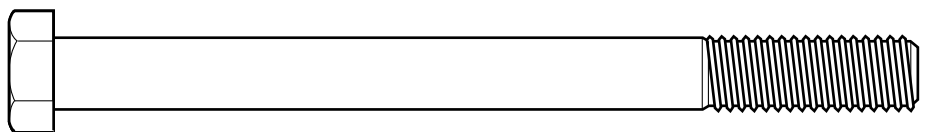
**Item #20 (5)\***



**Item #21 (1)**



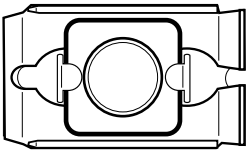
**Item #26 (4)**



**Item #23 (1)**

**HARDWARE IDENTIFIER (CONTINUED)**

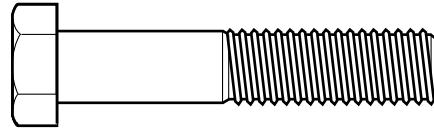
**HARDWARE IDENTIFIER (continued)**



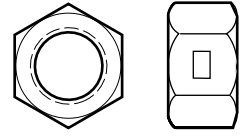
**Item #31 (1)**



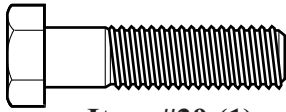
**Item #35 (2)**



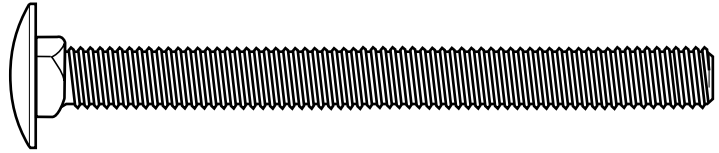
**Item #36 (1)**



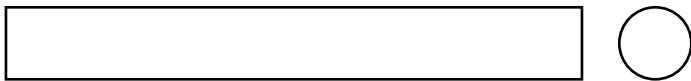
**Item #37 (3)**



**Item #39 (1)**



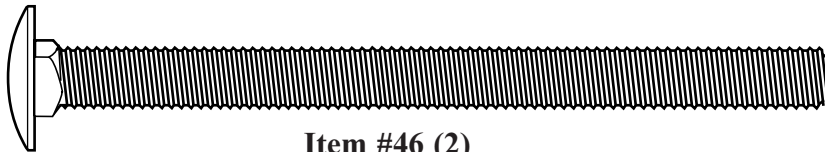
**Item #42 (4)**



**Item #43 (2)**



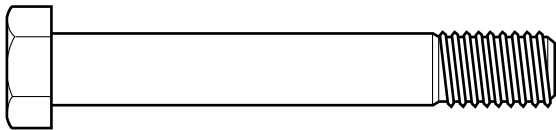
**Item #50 (1)**



**Item #46 (2)**



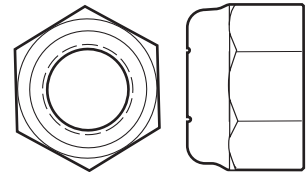
**Item #51 (2)**



**Item #53 (2)**



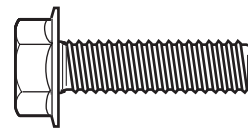
**Item #55 (12)\***



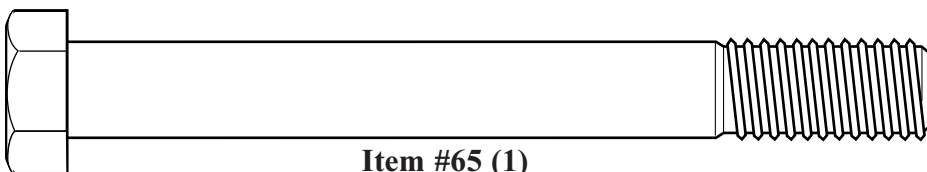
**Item #58 (7)**



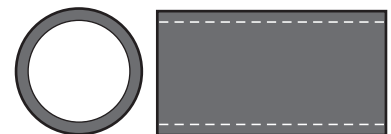
**Item #59 (4)**



**Item #60 (4)**



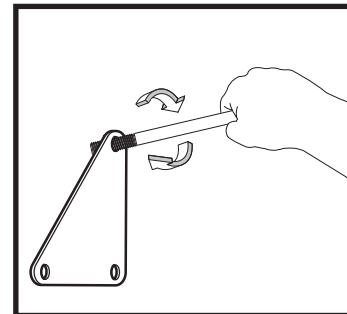
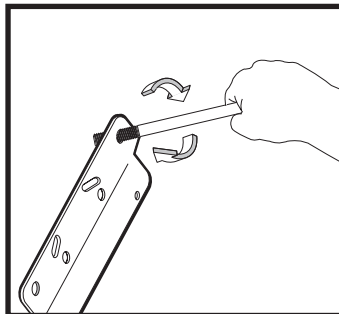
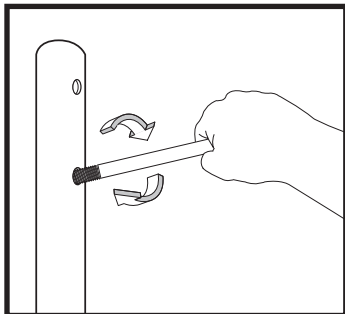
**Item #65 (1)**



**Item #67 (8)**

\*You may have extra parts with this model.

# BEFORE YOU START!



To ensure optimal playability of backboard system, a close tolerance fit between the elevator components and hardware is required. Test fit large bolts into large holes of elevator tubes, backboard brackets and triangle plates. Carefully rock them in a circular motion to ream out any excess paint from holes if necessary.

## INSTRUCTIONS

**IMPORTANT! WRITE MODEL NUMBER FROM BOX ONTO PAGE 1 OF THIS OWNERS MANUAL**

1. Mark pole sections with tape as shown.
2. **IMPORTANT! Bounce pole top (1) and middle section (2) together as shown until they no longer move toward taped reference mark.** Upright assembly. **NOTE:** Pole sections should have a 3-1/2" (9 cm) minimum overlap.
3. **IMPORTANT! Holes in top (1) and bottom pole (3) sections MUST align to correctly position elevator system toward playing surface.** Add bottom pole section (3) to assembly as shown and bounce until completely tight. **NOTE:** Pole sections should have a 3-1/2" (9 cm) minimum overlap.
4. Install wheels (17) onto axle (28) and wheel bracket (25) with push caps (29) as shown.
5. Position base as shown. Secure wheel bracket assembly with bolt (16) and nut (15) as shown.
6. Install rod (4) through holes in bottom pole section (3) and eyebolt (5). Insert pole assembly into tank (6) and through center hole on wheel assembly as shown. **Secure pole assembly with strap (61), washer (11) and lock nut (8).**
7. Secure base struts (9) to pole using bolt (10) washers (11) and nut (12) as shown. Rotate the non-secured ends of base struts (9) as shown.
8. Secure base struts (9) to base using bolt (14) washers (11) and nut (15).
9. Install upper pivot bracket (18) to front of base using bolt (19), washer (20) and nut (8) as shown.
10. Insert bolt (21) through lower pivot bracket (22) as shown, bolt (21) will be secured during step 12. Carefully place base assembly on its side. Install lower pivot bracket (22) with bolt (23), washers (20) and lock nut (8) as shown.
11. Secure both hinge tubes (24) to second wheel bracket (25) with carriage bolts (26) and flange nuts (15).
12. Install wheels (27) onto axle (28) and wheel bracket (25) with push caps (29) as shown.
13. Position base as shown. Secure wheel bracket assembly with disc (30), washer (20) and nut (8) as shown. **NOTE:** Two people recommended for this step.
14. Carefully reposition entire assembly as shown. **IMPORTANT! Two people recommended for this step.**
15. Snap tinnerman nut (31) onto inner channel (32). Place inner channel into outer channel (33) as shown.
16. Slide handle (34) into position as shown and secure with bolts (35), washers (11), and nuts (15). Tighten completely.
17. Install bolt (36), washers (11), and nut (37) as shown. Tighten until washers (11) are no longer loose. **NOTE:** Do not over tighten. Assemble trigger (38) to handle assembly (34, 32, 31) as shown and secure with bolt (39) and washer (11). Tighten completely.
18. **▲ WARNING: USE EYE PROTECTION WHEN INSTALLING SPRINGS.** Install trigger return spring (40) to handle assembly (32, 33) as shown.
19. Attach Accuheight label (41) to inner channel (32).
20. Attach spring (44) to pins (43) and install pins (43) onto pole mount bracket (45). Attach other spring (44) to opposite side. **NOTE:** Gently enlarge eyelets of spring with pliers if springs do not fit over pins.
21. Install pole mount assembly and reinforcement bracket (47) with carriage bolts (46) to pole as shown. Tighten flange nuts (15) completely.
22. Push back sliding pin (43) as shown in Figure A to fit adjustable system assembly through pole mount assembly. Then attach spring covers (48 & 49) onto pole mount bracket (45) with bolt (50), and nut (15) as shown in Figure B.
23. Attach backboard support brackets (52) to the backboard frame using bolts (53), spacers (51), and nuts (37) as shown.
24. Attach lower elevator tubes (56) and spring (68) to backboard support brackets (52) using spacers (59), bolt (57), and nut (58) as shown. **NOTE:** Rim mounting nuts and bolts (60) supplied with rim hardware.
25. Attach upper elevator tubes (63) to backboard support brackets (52) using spacers (59), bolt (57), and nut (58) as shown.
26. Support pole on sawhorse. Attach backboard assembly to top pole section (1) as shown. Then install pole cap (64). **NOTE:** Two people are recommended for this step. Use caution; elevator assembly is heavy.
27. Install upper elevator tubes (63) to triangle plates (66) as shown. Install handle assembly to lower elevator tubes (56) using bolt (57), spacers (67), and nut (58) as shown. **NOTE:** Tighten bolt (57) in lock nut (58) until flush (even) with lock nut's outer edge. **NOTE:** Before going on to next step, set adjustable system assembly to the 10' (3.05 m) setting.
28. **▲ WARNING: USE EYE PROTECTION WHEN INSTALLING SPRINGS.** Insert bolt (57) through left side upper elevator tube (63), then stretch springs (68) onto bolt (57). Insert bolt (57) through right side upper elevator tube (63) and secure with nut (58).
29. Attach front cover (54) to hinge tubes (24) using carriage bolt (42) and flange nuts (15) as shown.
30. **▲ WARNING: DO NOT LEAVE ASSEMBLY UNATTENDED WHEN EMPTY, MAY TIP OVER.** Apply height and moving label (76) to front of pole as shown.
31. Roll completed assembly to desired playing area. Secure assembly to ground using strap (61) and tie down stake (7). Fill tank with 34 gallons of water. **IMPORTANT! Add two gallons (7.6 Liters) of non-toxic antifreeze in sub-freezing climates.** Add two gallons (7.6 liters) to tank to prevent freezing in sub-freezing climates. Snap cap (62) into place.  
**▲ WARNING: DO NOT ALLOW CHILDREN TO ADJUST HEIGHT.**
32. Grasp handle and depress lever.
33. Push toward pole while holding lever. Raise or lower lever to desired height while pushing forward on handle.
34. Release handle making sure that horizontal pin (43) is locked into slot.  
**▲ WARNING: USE OF THIS PRODUCT WITHOUT PROPER INSTALLATION OF SMART CLIPS, OR WHEN ALL SMART CLIPS ARE NOT PRESENT COULD RESULT IN BODILY HARM. BE SURE TO FOLLOW DIRECTIONS CAREFULLY.**
35. Install net clips as shown. (See illustration)
36. Install net as shown. (See illustration)

**▲ WARNING: USE EYE PROTECTION WHEN INSTALLING SPRINGS.**

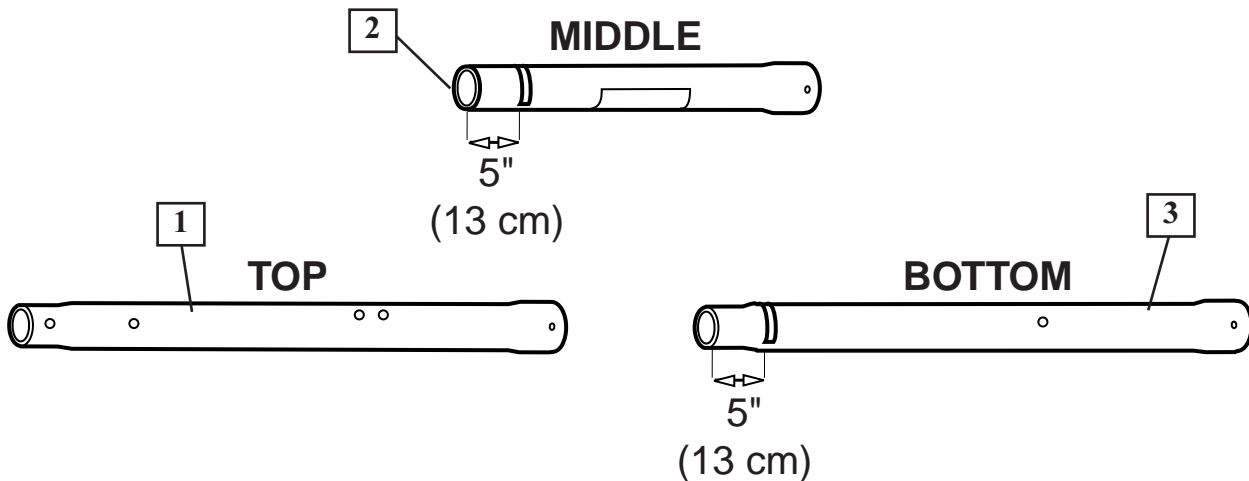


## Questions or Missing Parts?

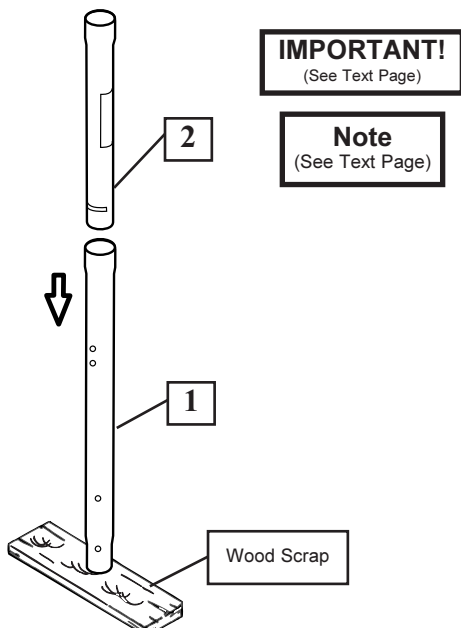
**DON'T go back to store!**

Call TOLL-FREE Customer Service  
Number listed on the front page!

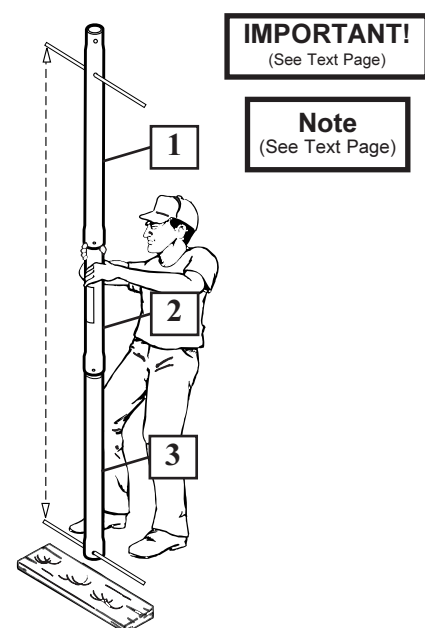
1.



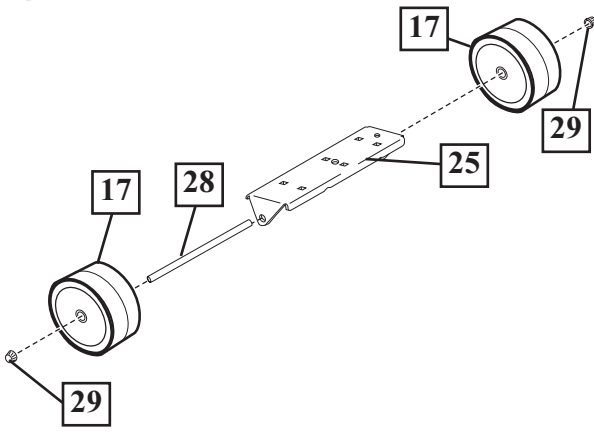
2.



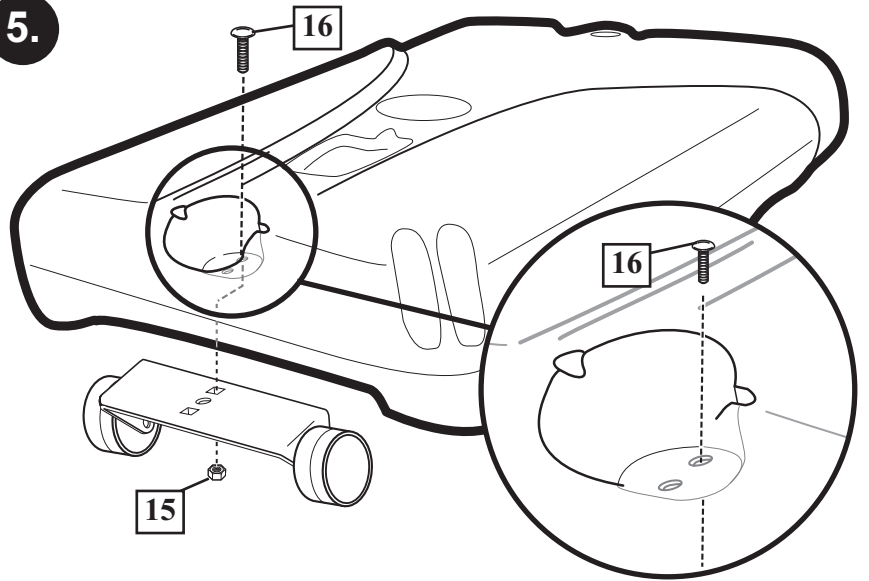
3.



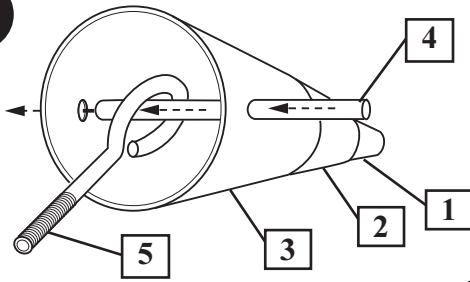
4.



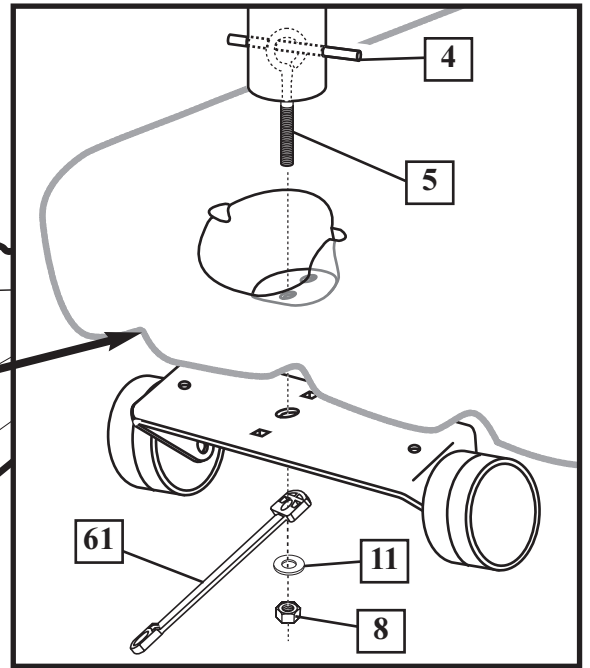
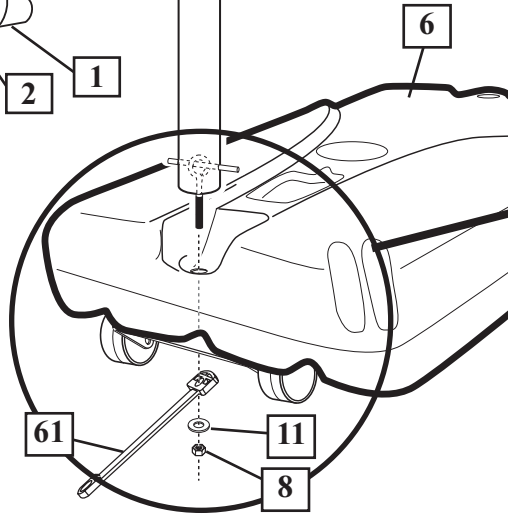
5.



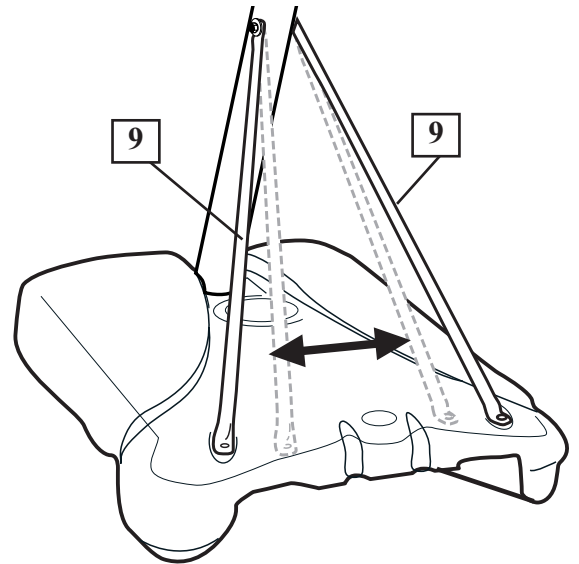
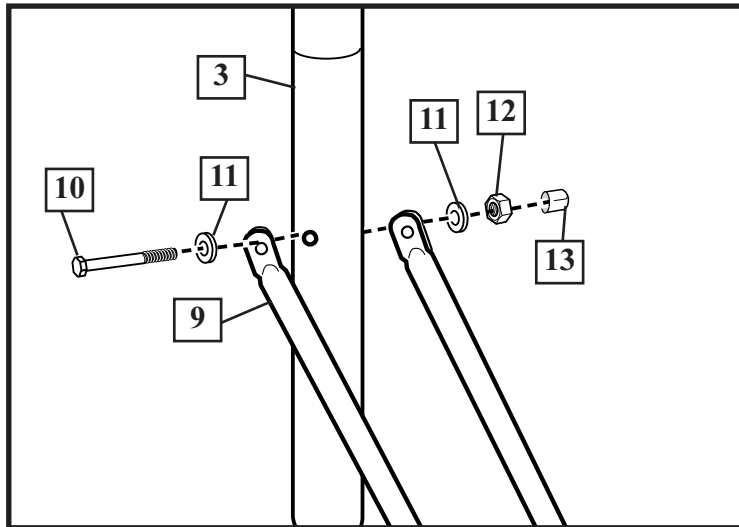
6.

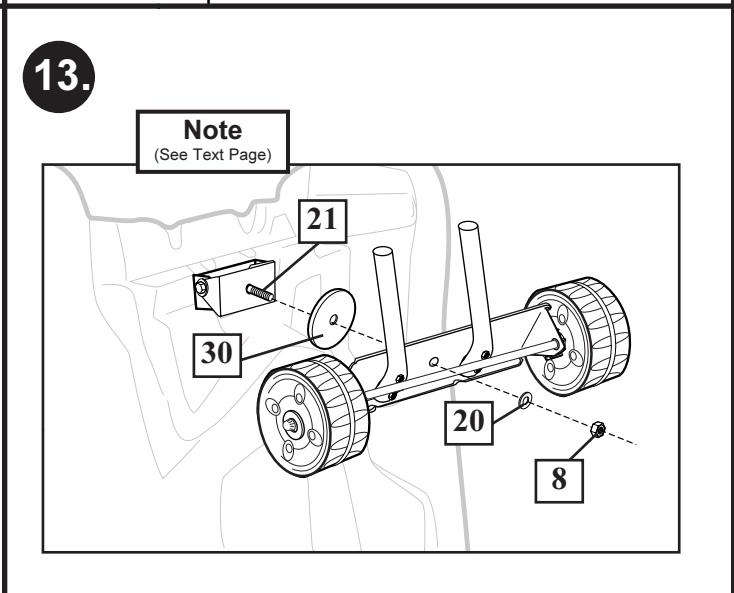
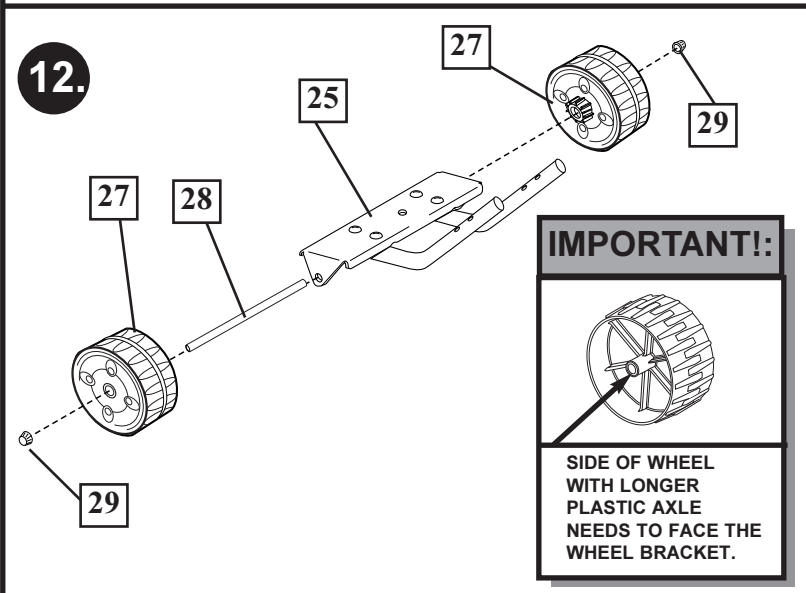
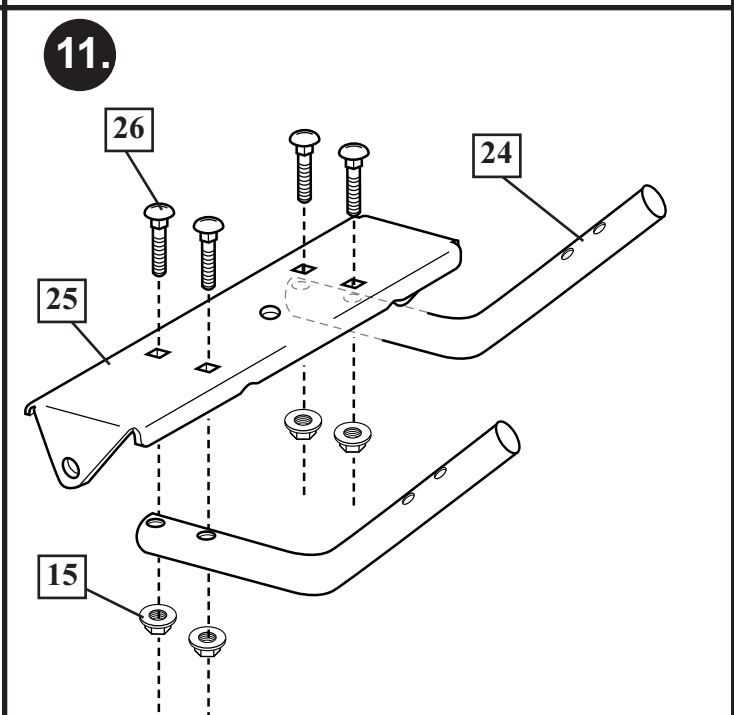
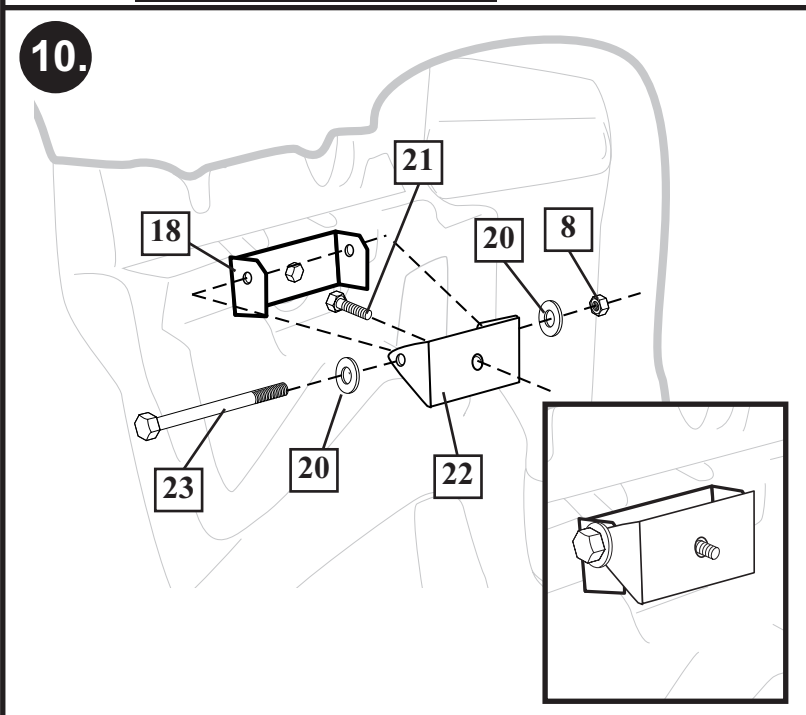
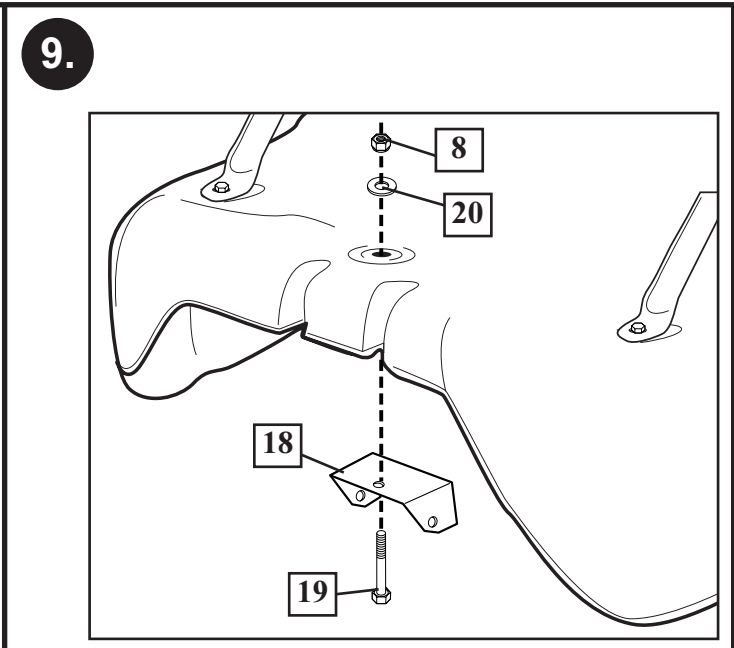
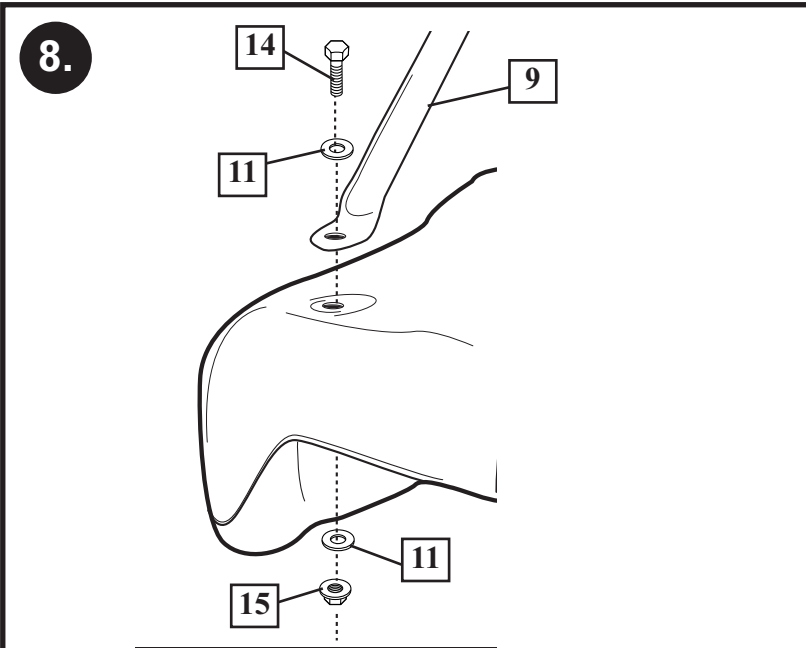


**Note**  
(See Text Page)



7.

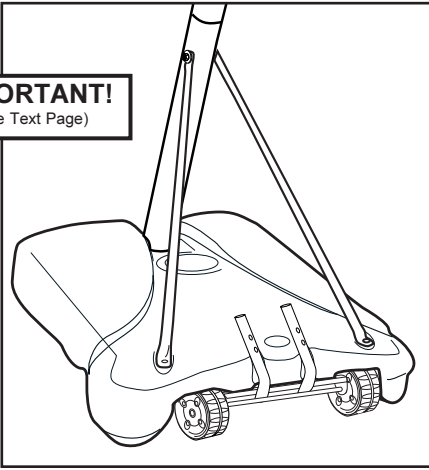




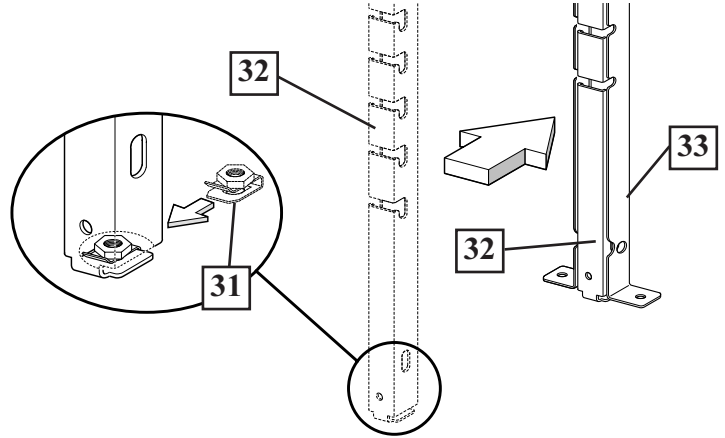


14.

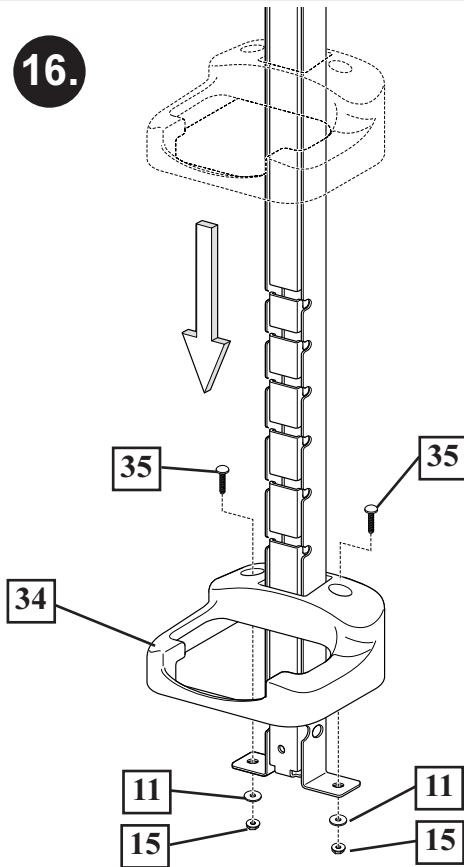
**IMPORTANT!**  
(See Text Page)



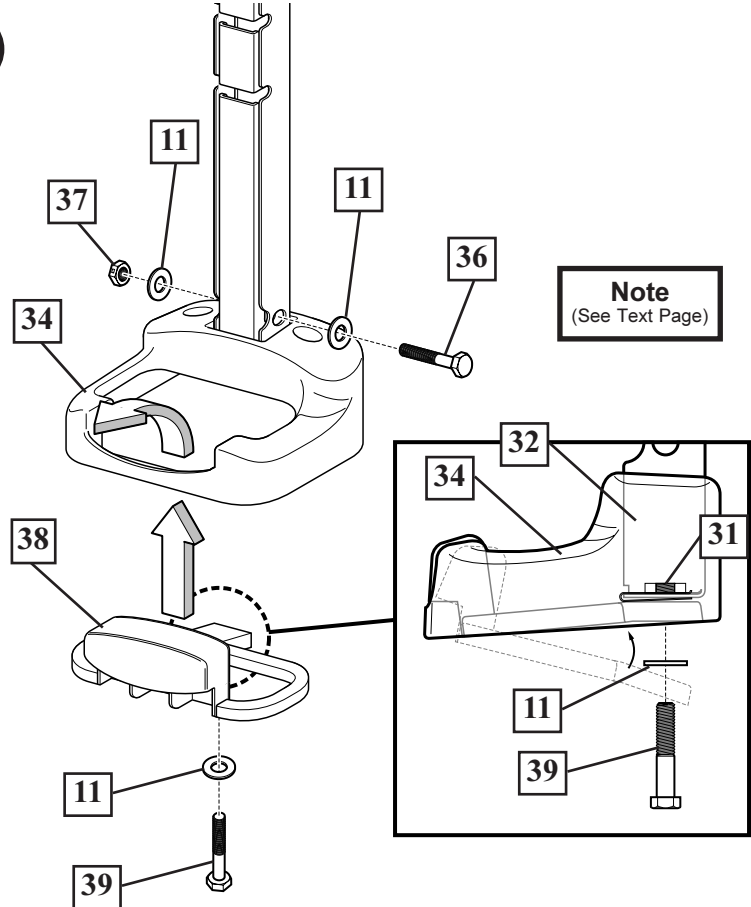
15.



16.

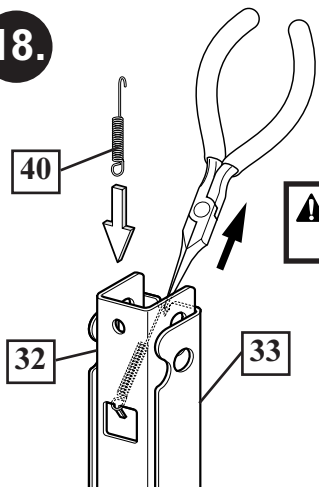


17.

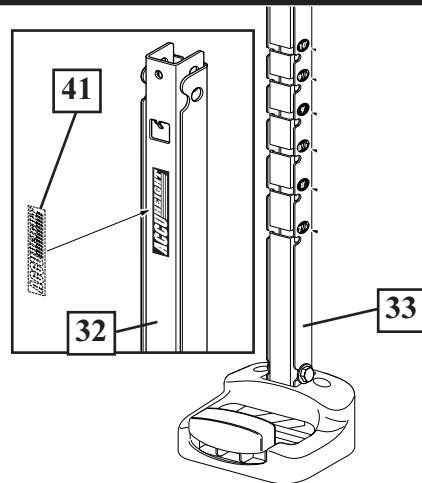


18.

**WARNING**  
(See Text Page)



19.

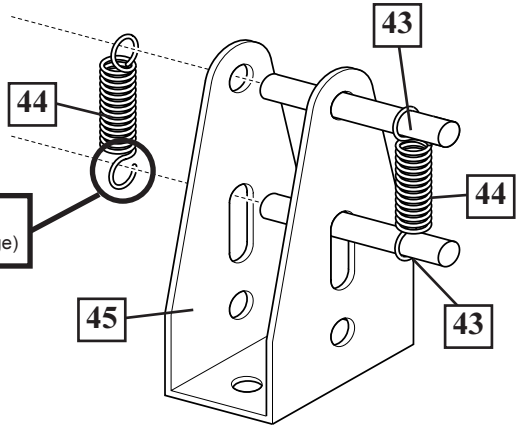


20.

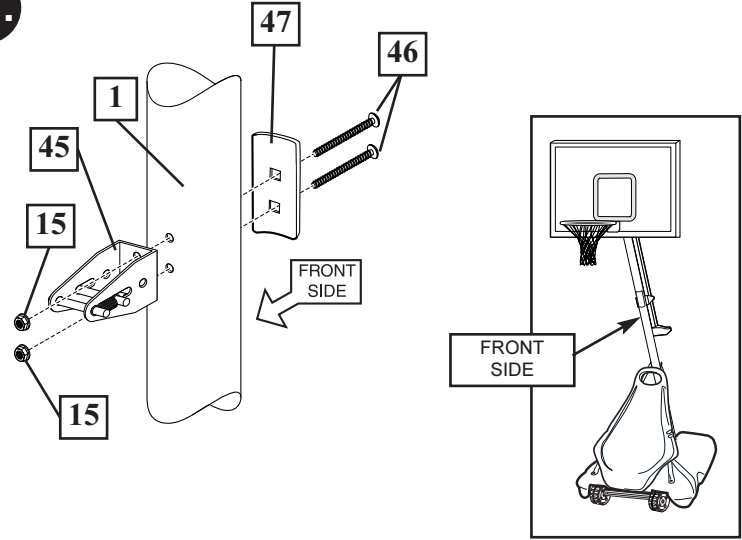
**WARNING**

(See Text Page)

**Note**  
(See Text Page)

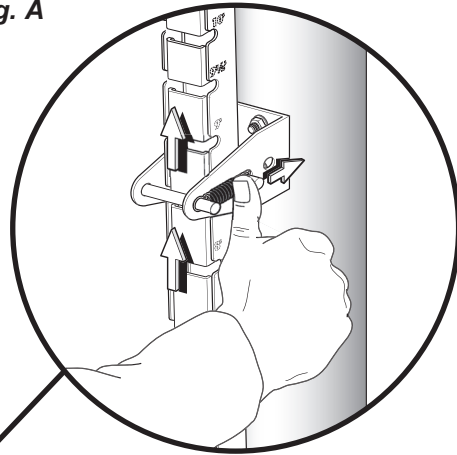


21.

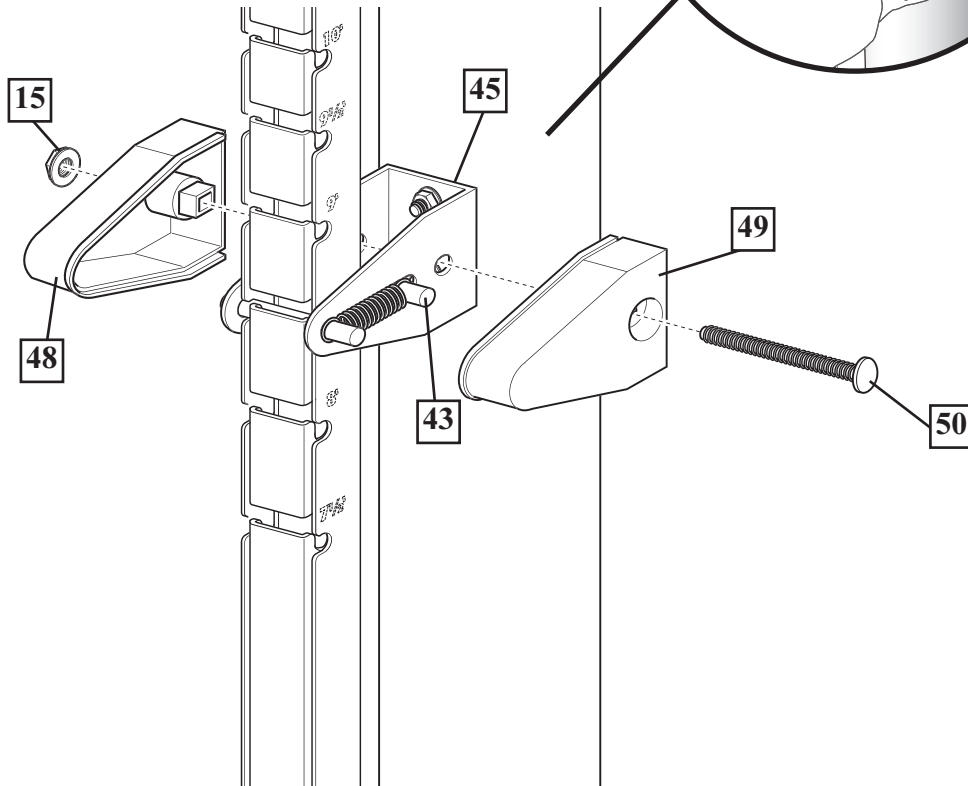


22.

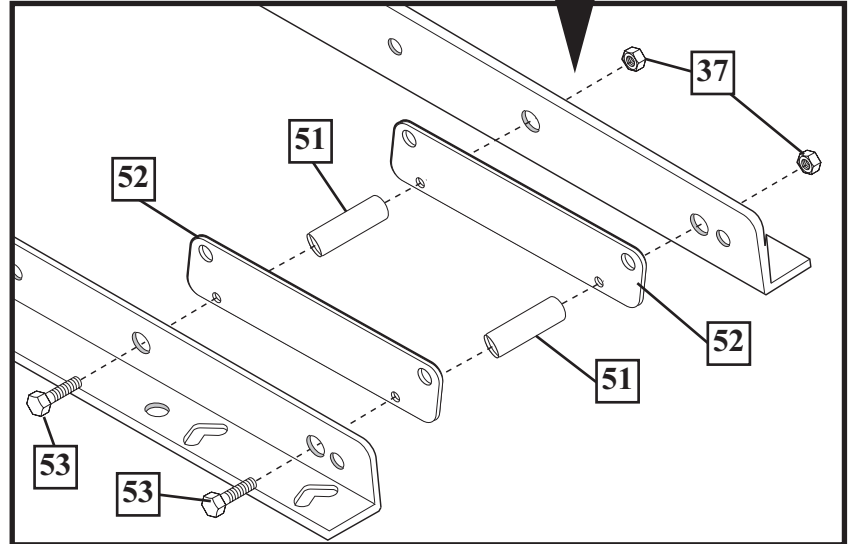
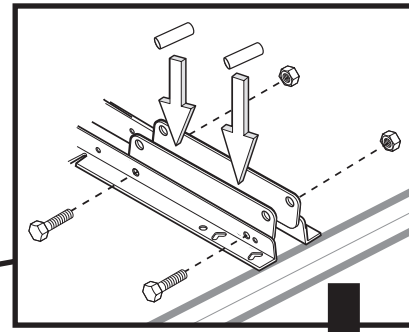
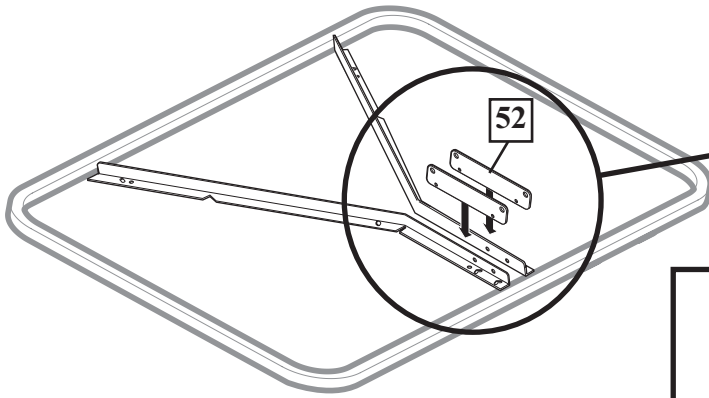
*Fig. A*



*Fig. B*

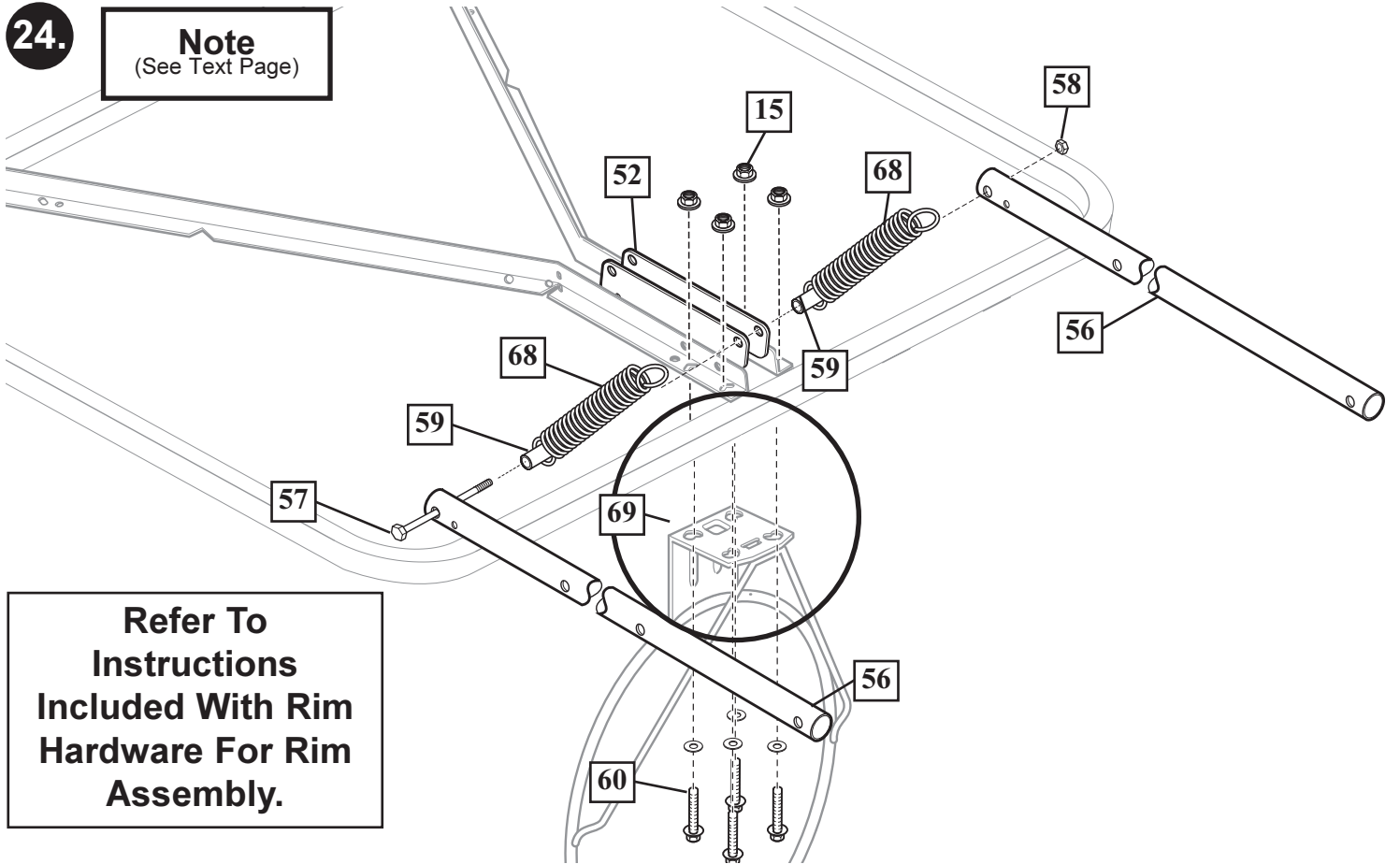


23.



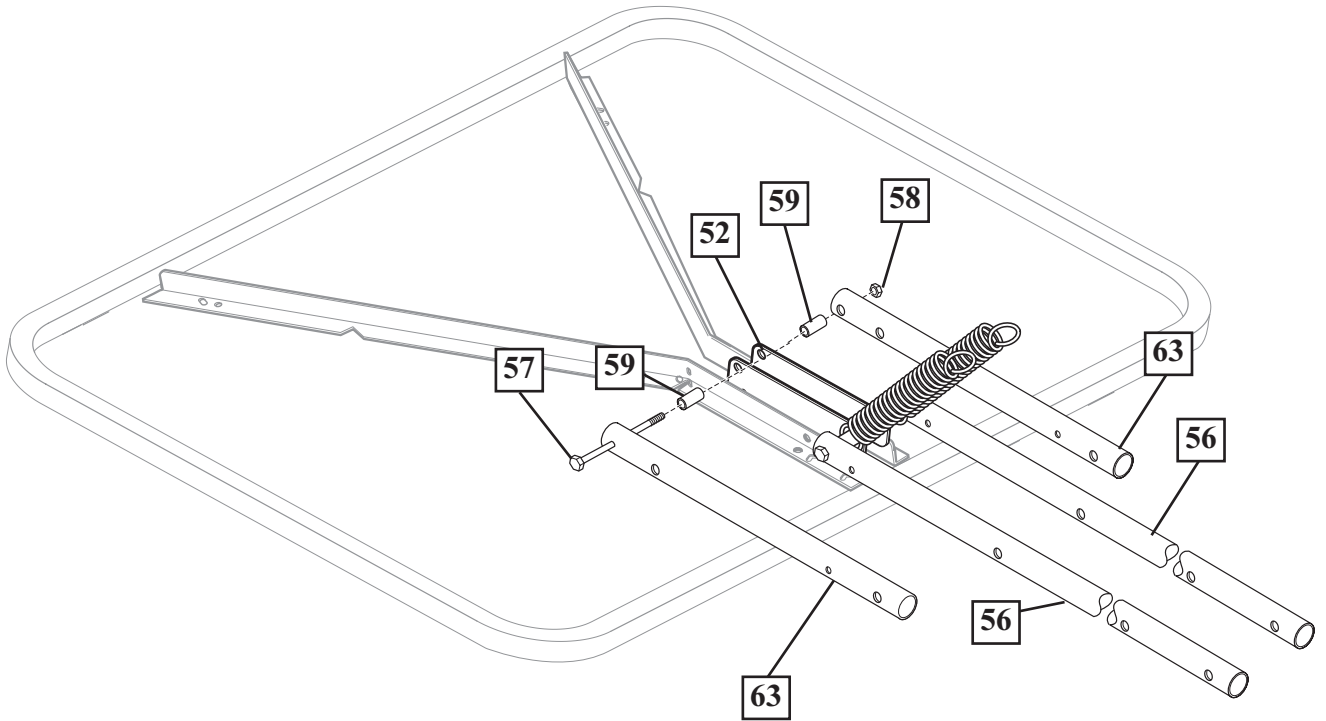
24.

**Note**  
(See Text Page)



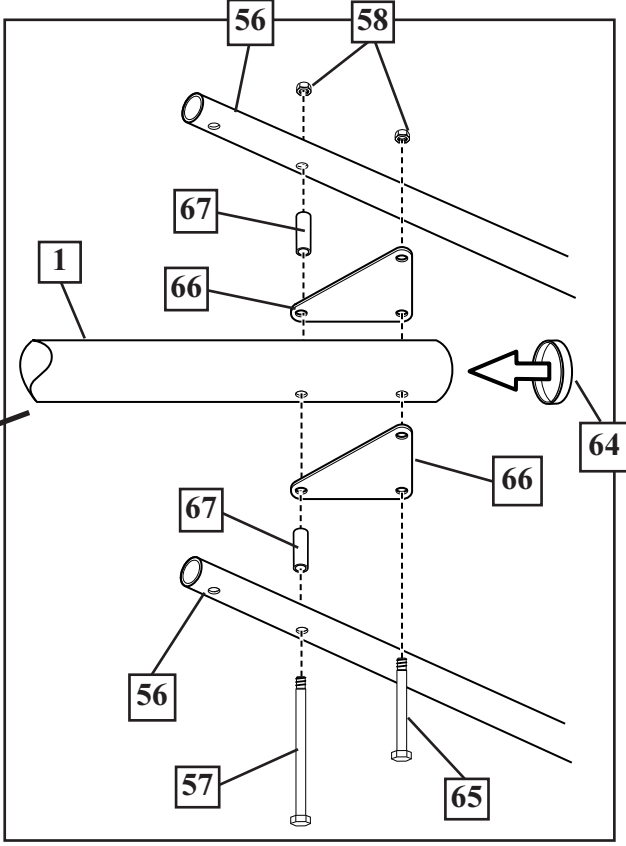
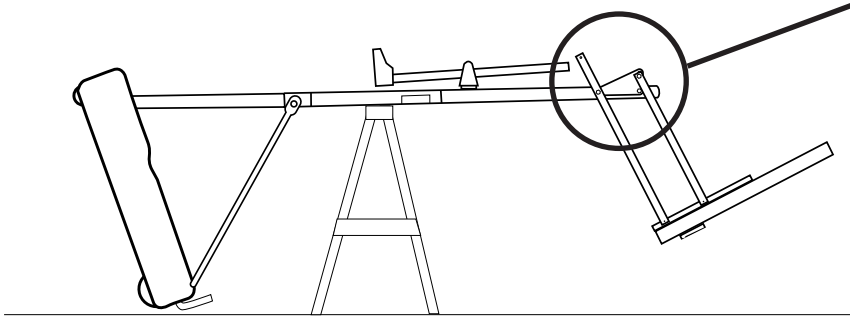
**Refer To  
Instructions  
Included With Rim  
Hardware For Rim  
Assembly.**

25.



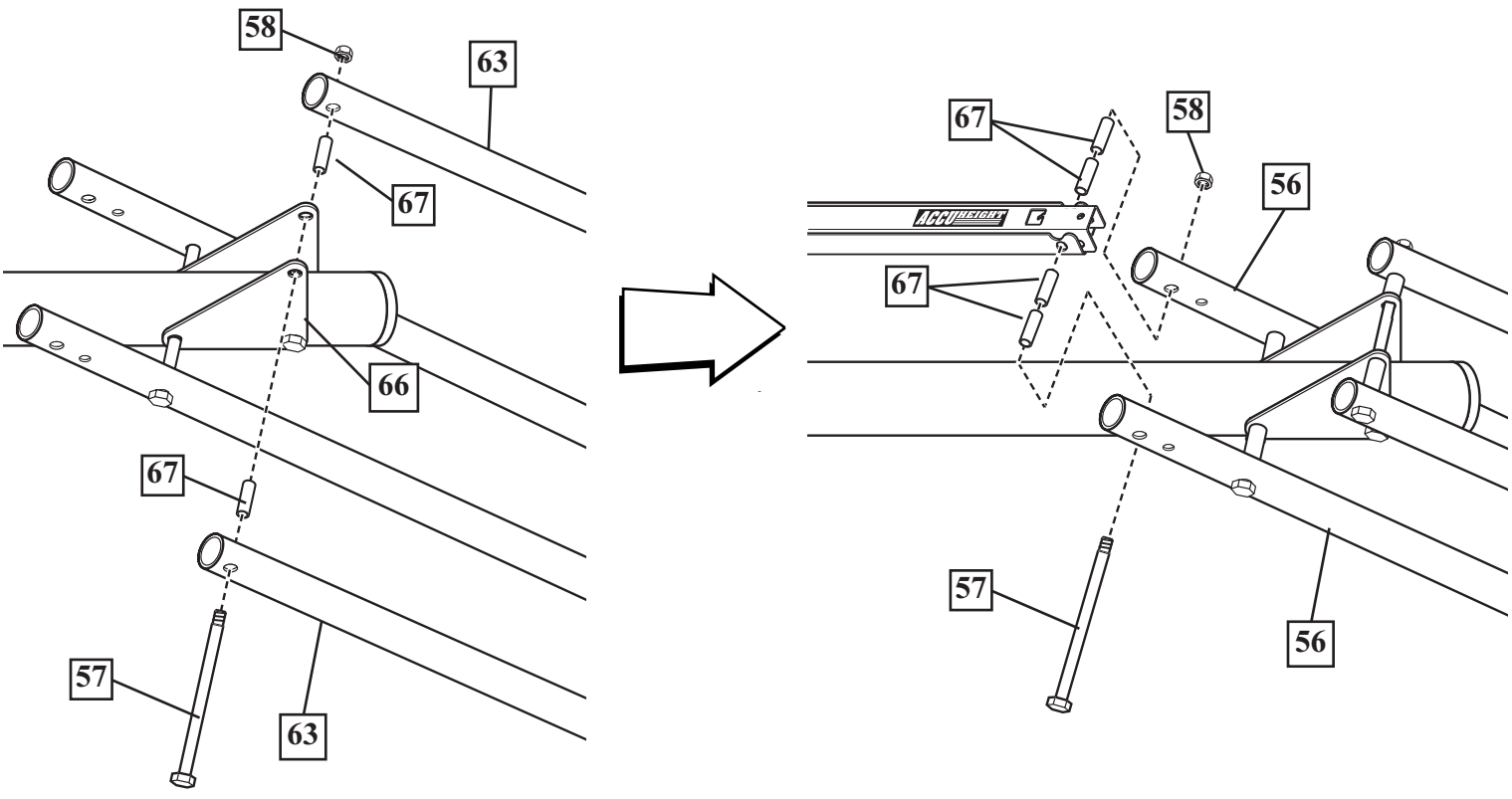
26.

**Note**  
(See Text Page)



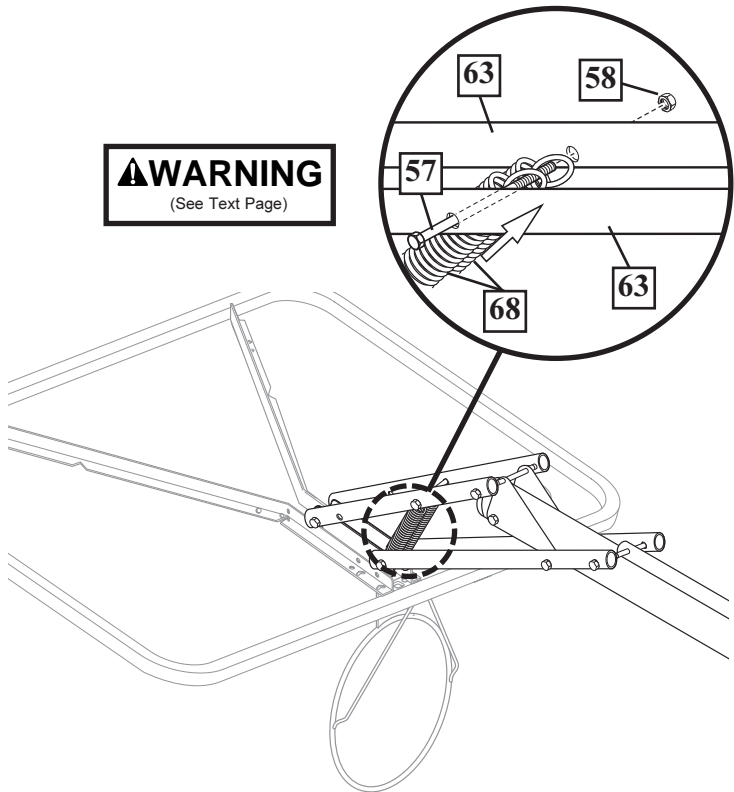
27.

**Note**  
(See Text Page)



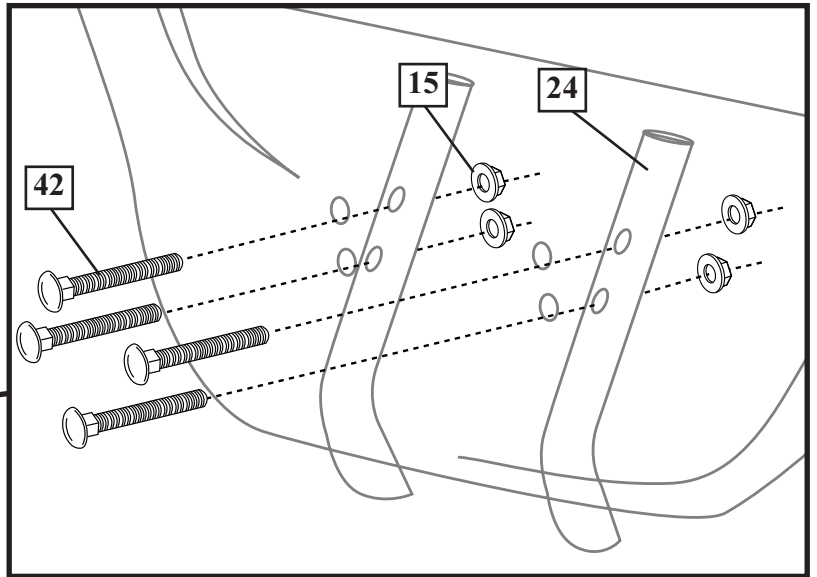
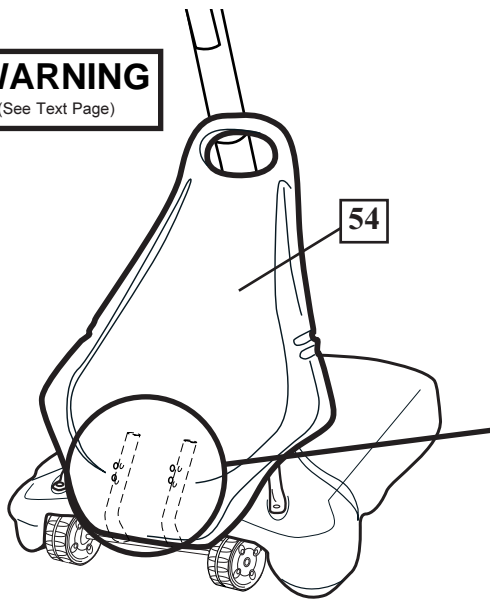
28.

**▲WARNING**  
(See Text Page)



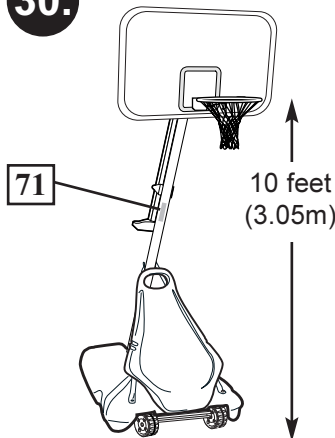
29.

**WARNING**  
(See Text Page)



30.

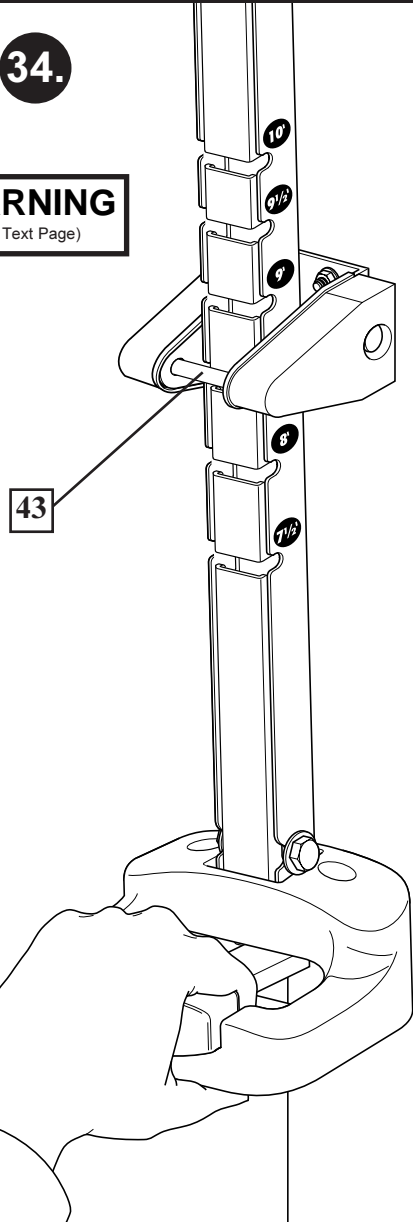
**NOTE:**  
Peel protective film from surface of acrylic backboard prior to use.



**ELEVATOR HEIGHT ADJUSTMENT**

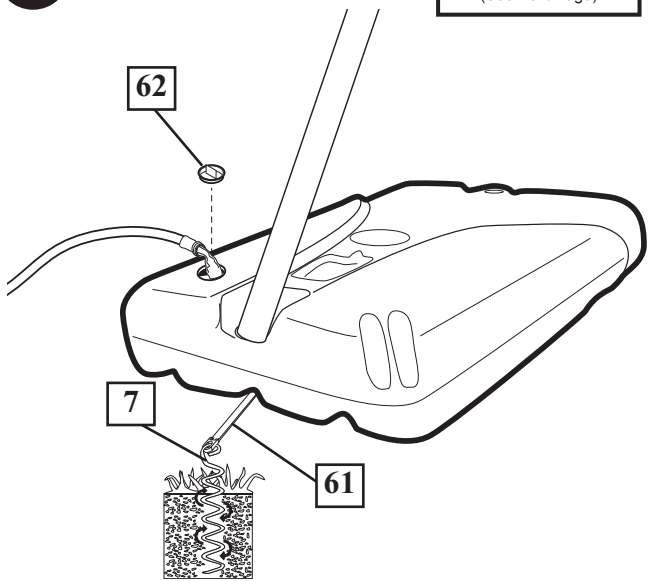
32. 33. 34.

**WARNING**  
(See Text Page)



31.

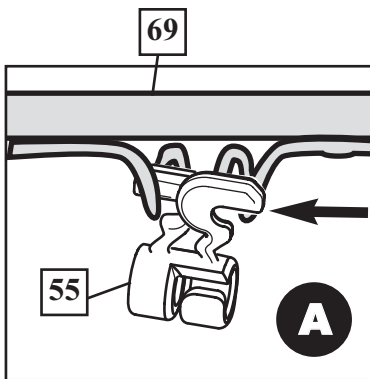
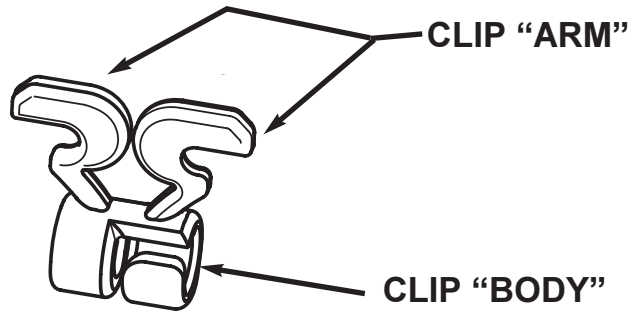
**IMPORTANT!**  
(See Text Page)



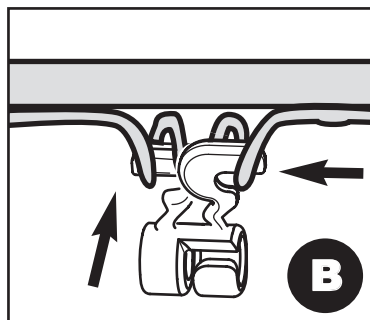
35.

Install net clips.

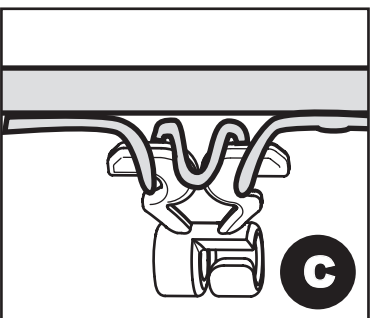
**! WARNING:** Use of this product without proper installation of net clips, or when all net clips are not present could result in bodily harm. Be sure to follow directions carefully.



Insert one "arm" of clip into ram as shown. Twist "body" of clip slightly so that second "arm" slides over the top of the first "arm" as shown. Push in direction indicated by arrows.



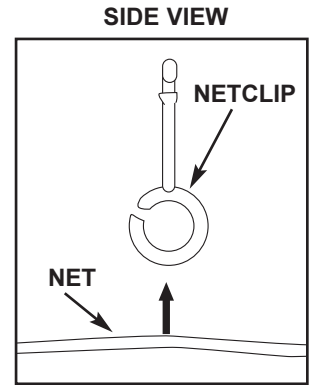
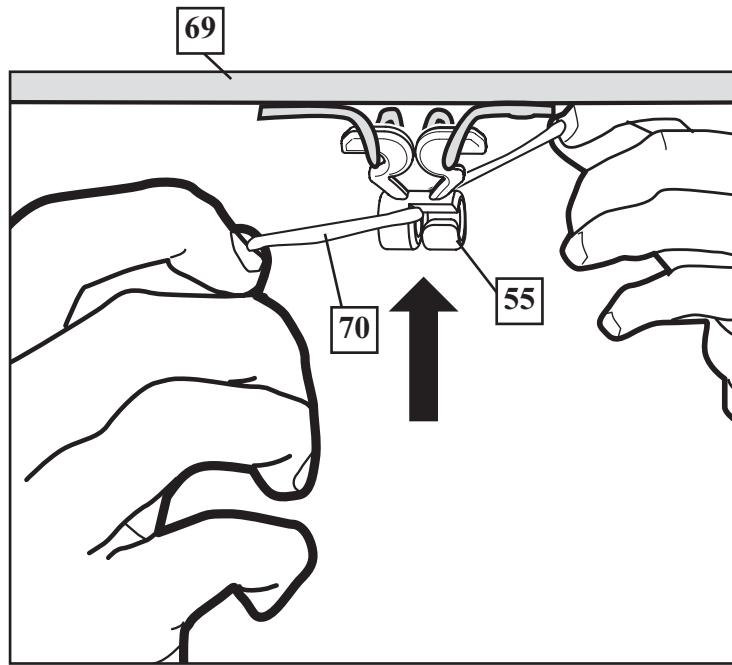
Push second "arm" back and into ram as shown.



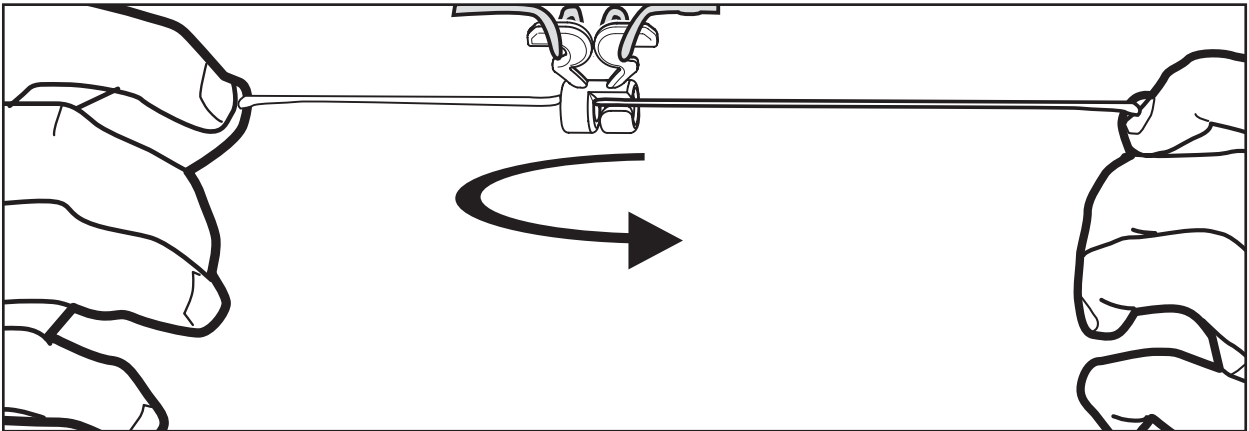
Twist "body" of clip slightly again to spread "arms" of clip. Clip "arms" must be flat and touching edge to edge as shown, not overlapping.

# NET INSTALLATION

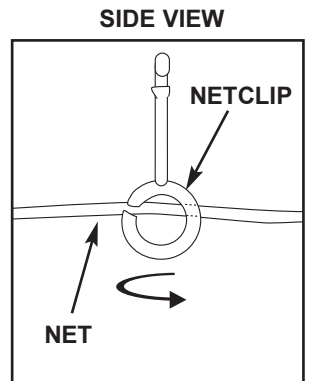
36.



Insert net into bottom of clip as shown.



Twist net until it snaps into position.  
Net must be centered through clip.





## Free Manuals Download Website

<http://myh66.com>

<http://usermanuals.us>

<http://www.somanuals.com>

<http://www.4manuals.cc>

<http://www.manual-lib.com>

<http://www.404manual.com>

<http://www.luxmanual.com>

<http://aubethermostatmanual.com>

Golf course search by state

<http://golfingnear.com>

Email search by domain

<http://emailbydomain.com>

Auto manuals search

<http://auto.somanuals.com>

TV manuals search

<http://tv.somanuals.com>