

# IMPORTANT! In U.S. and Canada only: Have questions? ...don't go back to the store!

We appreciate your purchasing one of our many fine products. We are sure that you will be very satisfied with your selection. Although great care and effort have been taken, occasionally problems may occur. To ensure prompt and correct handling of any problems, or to answer any questions, please contact our Toll-Free Customer Service Number listed below. Service will be quicker if you have your Model Number (found on carton) and assembly instructions ready when calling. PLEASE WRITE YOUR MODEL NUMBER IN THE SPACE PROVIDED ABOVE.

## SAFETY INSTRUCTIONS

**FAILURE TO FOLLOW THESE SAFETY INSTRUCTIONS MAY RESULT IN SERIOUS INJURY, PROPERTY DAMAGE AND VOID WARRANTY.**

*Owner must ensure that all players know and follow these rules for safe operation of the system.*

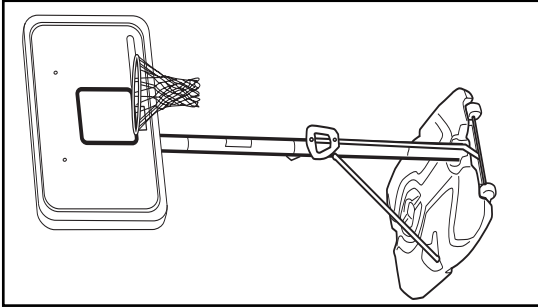
To ensure safety, do not attempt to assemble this system without following the instructions carefully. Proper and complete assembly, use and supervision is essential for proper operation and to reduce the risk of accident or injury. A high probability of serious injury exists if this system is not installed, maintained, and operated properly. Check entire box and inside all packing material for parts and/or additional instructional material. Before beginning assembly, read the instructions and identify parts using the hardware identifier and parts list in this document.

- If using a ladder during assembly, use extreme caution.
- Two (2) people are recommended for this operation.
- Check base regularly for leakage. Slow leaks could cause system to tip over unexpectedly.
- Seat the pole sections properly (if applicable). Failure to do so could allow the pole sections to separate during play and/or transport of the system.
- Climate, corrosion or misuse could result in system failure.
- Minimum operational height is 6' 6" (1.98 m) to the bottom of backboard.
- This equipment is intended for home recreational use only and NOT excessive competitive play.
- Read and understand the warning label affixed to pole. Label is shown on page 1.
- The life of your basketball pole depends on many conditions. The climate, placement of the pole, the location of the pole, exposure to corrosives such as pesticides, herbicides or salts are all important.
- If technical assistance is required, contact Huffy Sports.
- Adult supervision is recommended when adjusting height.

*Most injuries are caused by misuse and/or not following instructions. Use caution when using this system.*

**For more information on assembly, placement, proper use and maintenance, visit The American Basketball Council website at <http://www.smarthoops.com>.**

The NBA and individual NBA member team identifications reproduced on this product are trademarks and copyrighted designs, and/or other forms of intellectual property, that are the exclusive property of NBA Properties, Inc. and the respective NBA member teams and may not be used, in whole or in part, without the written consent of NBA Properties, Inc.

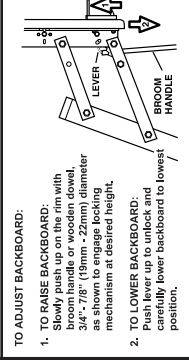


51

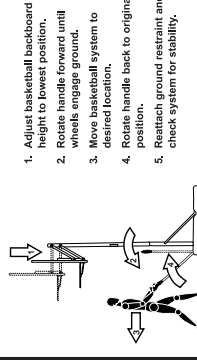
## NOTICE TO ASSEMBLERS

ALL Huffy Sports basketball Systems, including those used for DISPLAYS, MUST be assembled and ballasted with sand or water according to instructions. Failure to follow instructions could result in **SERIOUS INJURY**. It is NOT acceptable to devise a makeshift weight system.

## HEIGHT ADJUSTMENT



## MOVING SYSTEM



# WARNING

**FAILURE TO FOLLOW THESE WARNINGS MAY RESULT IN SERIOUS INJURY AND/OR PROPERTY DAMAGE.**

*Owner must ensure that all players know and follow these rules for safe operation of the system.*

- DO NOT HANG on the rim or any part of the system including backboard, support braces or net.
- During play, especially when performing dunk type activities, keep player's face away from the backboard, rim and net. Serious injury could occur if teeth/face come in contact with backboard, rim or net.
- Do not slide, climb, shake or play on base and/or pole.
- After assembly is complete, fill system completely with water or sand and stake to the ground. Never leave system in an upright position without filling base with weight, as system may tip over causing injuries.
- When adjusting height or moving system, keep hands and fingers away from moving parts.
- Do not allow children to move or adjust system.
- During play, do not wear jewelry (rings, watches, necklaces, etc.). Objects may entangle in net.
- Surface beneath the base must be smooth and free of gravel or other sharp objects. Punctures cause leakage and could cause system to tip over.
- Keep organic material away from pole base. Grass, litter, etc. could cause corrosion and/or deterioration.
- Check pole system for signs of corrosion (rust, pitting, chipping) and repaint with exterior enamel paint if rust has penetrated through the steel anywhere, replace pole immediately.
- Check system before each use for proper ballast, loose hardware, excessive wear and signs corrosion and repair before use.
- Check system before each use for instability.
- Do not use system during windy and/or severe weather conditions; system may tip over. Place system in the storage position and/or in an area protected from the wind and free from personal property and/or overhead wires.
- Never play on damaged equipment.
- See instruction manual for proper installation and maintenance.
- When moving system, use caution to keep mechanism from shifting.
- Keep pole top covered with cap at all times.
- Do not allow water in tank to freeze. During sub-freezing weather add non-toxic antifreeze, sand or empty tank completely and store. (Do not use salt)
- Use extreme caution if placing system on sloped surface. System may tip over more easily.

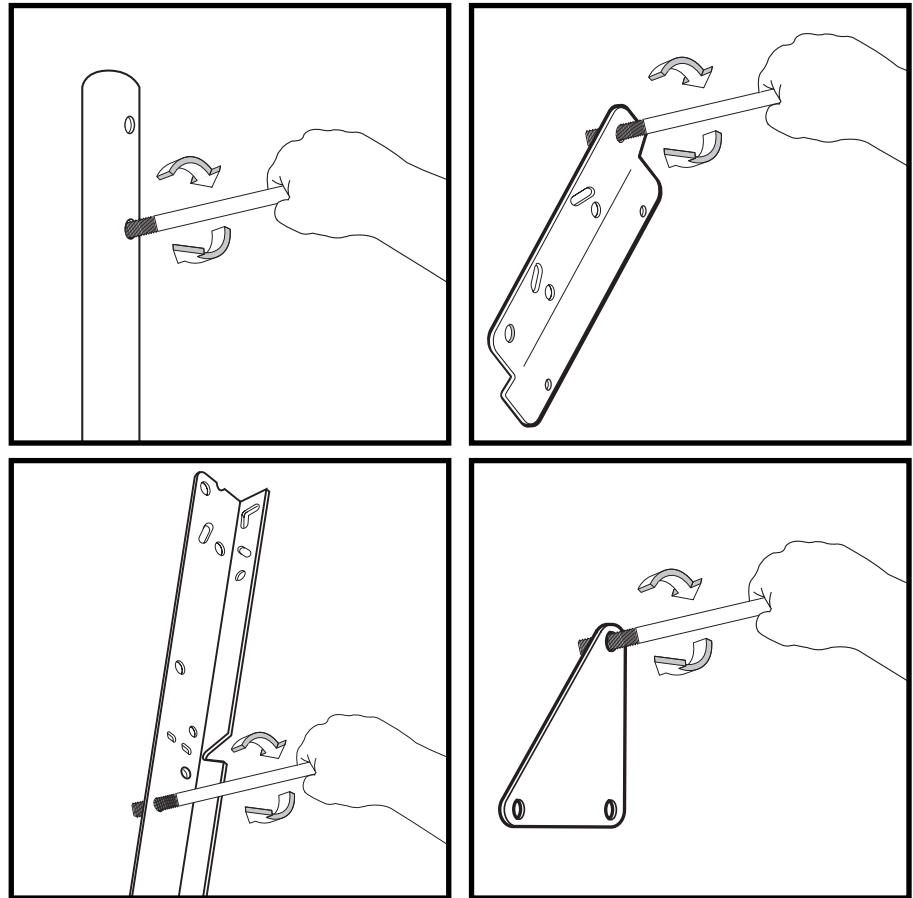
**HUFFY SPORTS**

In the U.S.: 1-800-558-5234 and Canada: 1-800-284-8339

201241 299

Toll-Free Customer Service Number for U.S.: 1-800-558-5234, For Europe: 00 800 555 85234 (Sweden: 009 555 85234), For Australia: 1-800-333 061 - Internet Address: <http://www.huffysports.com>

# BEFORE YOU START!



**To ensure optimal playability of backboard system, a close tolerance fit between the elevator components and hardware is required. Test fit large bolts into large holes of elevator tubes, backboard brackets and triangle plates. Carefully rock them in a circular motion to ream out any excess paint from holes if necessary.**

## AVANT DE COMMENCER !

Pour garantir l'utilisation optimale du panneau, les composants du système élévateur et la visserie doivent être bien ajustés (serrés). À titre d'essai, insérez les gros boulons dans les gros trous des tubes du système élévateur, des supports du panneau et des plaques triangulaires. Basculez-les avec précaution en imprimant un mouvement circulaire pour éliminer l'excédent de peinture, si nécessaire.

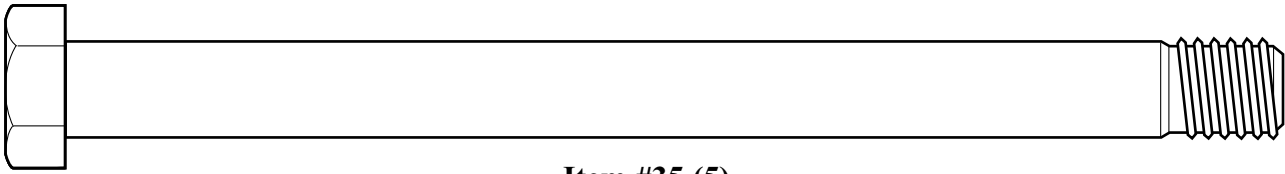
## ¡ANTES DE COMENZAR!

Para asegurar el óptimo rendimiento del sistema del respaldo en el juego, se requiere un ajuste de tolerancia estrecha entre los componentes del elevador y el herraje. Pruebe el ajuste de los pernos grandes en los orificios grandes de los tubos elevadores, soportes del respaldo y placas triangulares. Cuidadosamente muévalos en círculos para eliminar cualquier exceso de pintura, si es necesario.

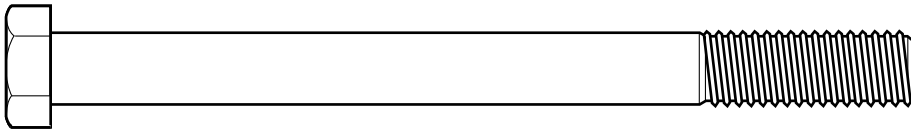
## VORBEREITENDE MASSNAHMEN

Um sicherzustellen, dass das Korbwandsystem optimal für den Spielbetrieb geeignet ist, müssen die Komponenten der Verlängerungsvorrichtung und die verschiedenen Befestigungsteile fest miteinander verschraubt werden. Große Schrauben zur Probe in die großen Löcher der Verlängerungsrohre, Korbwandklammern und Dreiecksplatte stecken und diese vorsichtig in einer Kreisbewegung hin- und herbewegen, um eventuelle Farbrückstände aus den Bohrungen zu entfernen.

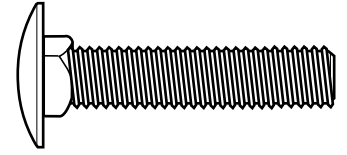
## HARDWARE IDENTIFIER (BOLTS & SCREWS)



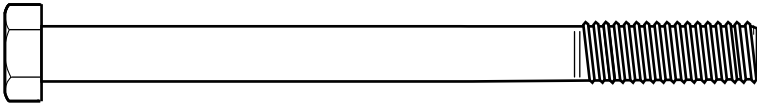
Item #35 (5)



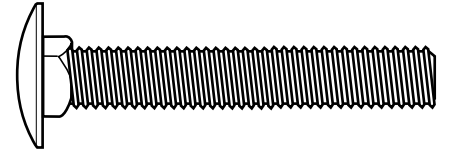
Item #26 (1)



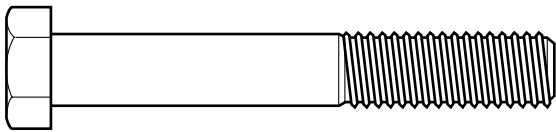
Item #30 (2)



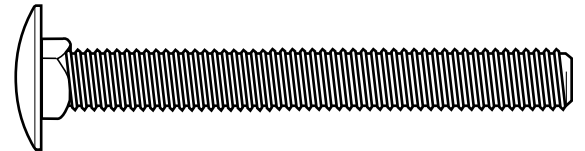
Item #12 (1)



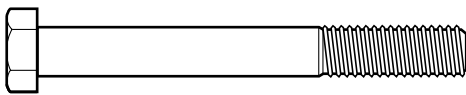
Item #18 (2)



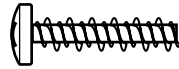
Item #33 (1)



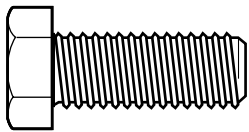
Item #29 (2)



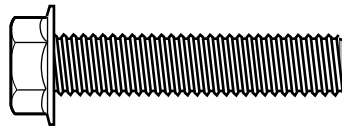
Item #41 (1)



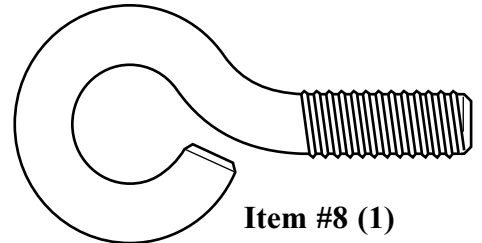
Item #45 (4)



Item #21 (2)

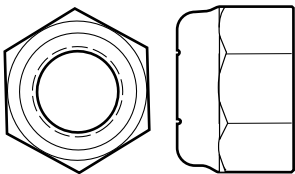


Item #16 (2)

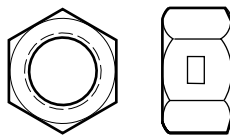


Item #8 (1)

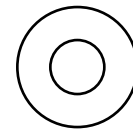
## HARDWARE IDENTIFIER (NUTS & WASHERS)



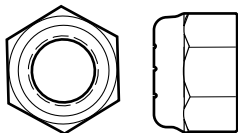
Item #47 (5)\*



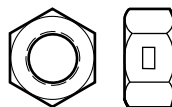
Item #34 (3)



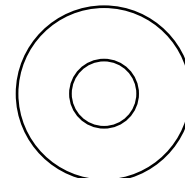
Item #53 (2)



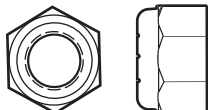
Item #10 (3)\*



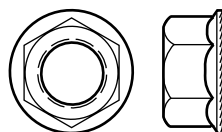
Item #42 (1)



Item #13 (12)\*



Item #14 (2)



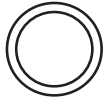
Item #17 (14)

\* You may have extra parts with this model.

**HARDWARE IDENTIFIER (STEEL SPACERS & RODS)**

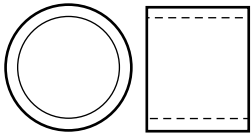


**Item #39 (2)**

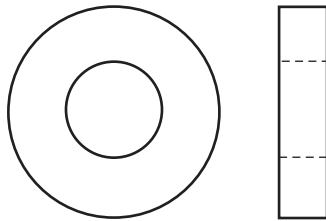


**Item #7 (1)**

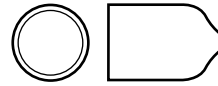
**HARDWARE IDENTIFIER (PLASTIC SPACERS, CAPS & CLIPS)**



**Item #44 (4)**



**Item #55 (4)**

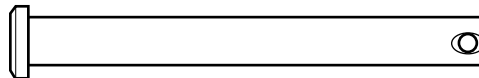


**Item #36 (1)**



**Item #31 (12)**

**HARDWARE IDENTIFIER (OTHER)**



**Item #48 (1)**

## PARTS LIST - See Hardware Identifier

<u>Item</u>	<u>Qty.</u>	<u>Part No.</u>	<u>Description</u>	<u>Item</u>	<u>Qty.</u>	<u>Part No.</u>	<u>Description</u>
1	1	206615	Tank, (Black)	31	12	201219	Smart Clip, Net Holder
2	1	200628	Wheel Axle, 11-3/4 Long	32	1		Rim
3	4	226401	Wheel, 4 " (Black)	33	1	206360	Bolt, Hex Head, 3/8-16 x 2.625 Long
4	1	900007	Top Pole Section	34	3	201124	Nut, 3/8-16
5	1	908480	Middle Pole Section	35	5	206304	Bolt 1/2-13 x 6-5/16 Long
6	1	900240	Bottom Pole Section	36	1	200516	Vinyl Bolt Cover, 5/16
7	1	202820	Rod, 3/8 O.D. x 4-3/4 Long	37	1	202814	Cap, Pole Top
8	1	206934	Eyebolt, 3/8-16 x 2 1/2 Long	38	2	900846	Board Bracket, (Black)
9	1	206949	Pivot Bracket, Upper	39	2	201129	Spacer, 1-3/4 Long
10	3*	203063	Nylon Insert Lock Nut, 3/8-16	40	1	201160	Pawl Lever
11	2	906206	Strut, 1" O.D. x 31-1/4 Long	41	1	240017	Bolt, Hex Head, 1/4-20 x 2-1/4 Long
12	1	201625	Bolt, Yellow Dichromate, 5/16-18 X 3.60" Long	42	1	203493	Lock Nut, Hex Head 1/4-20
13	12*	203218	Washer, Flat, 3/8 I.D.	43	4	804808	Elevator Tube, (Black)
14	2	203220	Nylon Insert Lock Nut, 5/16-18	44	4	206311	Spacer, Plastic
15	1	201568	Anchor, T-Strap	45	4	204804	Screw, Phillips Head, 3/4 Long
16	2	203798	Bolt, Hex Flange, 5/16-18 x 1-1/2 Long	46	1	201159	Ratchet
17	14	203100	Nut, Hex Flange, 5/16-18	47	5*	206340	Lock Nut, Hex Head, 1/2-13
18	2	203103	Carriage Bolt, 5/16-18 x 2 Long	48	1	206305	Clevis Pin 1/4 x 2-9/32 Long
19	1	900223	Wheel Bracket	49	1	203124	Stake, Tie Down
20	1	206948	Pivot Bracket, Lower	50	2	203617	Plug Cap
21	2	206252	Bolt, Hex Head, 3/8-16 x 1 Long	51	1	201268	Label, Height Adjustment and Moving
22	1	206956	Disc, 5" O.D. x 13/32 I.D., Plastic	52	1		Net
23	1	906606	Handle Bar	53	2	206303	Washer, 1/4 x 9/32 I.D.
24	1	206940	Axle, 21" Long	54	1	200627	Wheel Carriage
25	2	206938	Push Cap	55	4	201651	Spacer, Plastic, Wheel Axle
26	1	203330	Bolt, Hex Head, 3/8-16 x 4-1/2 Long	56	1	201125	Return Ratchet Spring
27	1	206604	Handle, Front, Plastic				
28	1	206605	Handle, Back, Plastic				
29	2	203038	Bolt, Carriage, 5/16-18 x 2-3/4 Long				
30	2	203217	Carriage Bolt, 5/16-18 x 1-1/2 Long				

**WARNING:** IF YOUR SYSTEM IS EQUIPPED WITH AN ACRYLIC BACKBOARD, EXAMINE BACKBOARD FOR ANY DAMAGE THAT MAY HAVE OCCURRED DURING SHIPMENT. CRACKS IN THE BACKBOARD COULD RESULT IN SUDDEN BREAKAGE. IF BACKBOARD IS DAMAGED IN ANY WAY PRIOR TO OR AFTER ASSEMBLY, CALL TOLL-FREE NUMBER FOR FREE REPLACEMENT: U.S. 1-800-558-5234; CANADA: 1-800-284-8339; <http://www.huffysports.com>

**WARRANTY CARD:**

Please remember to complete your product registration form either on-line at:  
[www.huffysports.com/warrantycard](http://www.huffysports.com/warrantycard) or mail-in the enclosed postcard.

## INSTRUCTIONS

**IMPORTANT! WRITE MODEL NUMBER FROM BOX ONTO PAGE 1 OF THIS OWNERS MANUAL**



1. Remove all contents from underside of tank. Install wheel axle (2) through wheel carriage (54) and install wheels (3) onto wheel axle (2) with spacers (55) as shown. Secure wheel bracket as shown, a deep socket is recommended.  
**IMPORTANT! DO NOT OVER TIGHTEN.**
2. Correctly identify each pole section and mark indicated distance from ends with tape as shown.
3. Align pole top and middle pole sections as shown using alignment mark and hole.  
**IMPORTANT! Holes in top (4) and middle pole (5) sections MUST align to correctly position elevator system toward playing surface.** Bounce pole top (4) and middle section (5) together as shown until they no longer move toward taped reference mark. **NOTE:** Pole sections should have a 3-1/2" (9 cm) minimum overlap.
4. **IMPORTANT! Holes in top (4) and bottom pole (6) sections MUST align to correctly position elevator system toward playing surface.** Add bottom pole section (6) to assembly as shown using alignment mark and hole, and bounce until completely tight. **Once assembled, pole sections CAN NOT be separated!** **NOTE:** Pole sections should have a 3-1/2" (9 cm) minimum overlap.
5. Install rod (7) through holes in bottom pole section (6) and eyebolt (8).
6. Insert pole assembly into tank assembly as shown. Secure pole assembly with upper pivot bracket (9) and lock nut (10).
7. Secure base struts (11) to pole using bolt (12), washers (13), and nut (14), as shown. Place vinyl bolt cover (36) over exposed bolt threads. Rotate the non-secured ends of base struts (11) as shown.
8. Secure base struts (11) to base using bolt (16), washers (13), and nut (17).
9. Insert carriage bolts (18) into middle set of holes on wheel bracket (19) as shown.
10. Attach lower pivot bracket (20) to wheel bracket (19) using bolt (21), washers (13), disc (22), and nut (10) as shown.
11. Attach handle bar (23) to wheel bracket assembly using nuts (17) as shown.
12. Install wheels (3) onto axle (24) and wheel bracket assembly with push caps (25) as shown.
13. Attach wheel bracket assembly to base assembly using bolt (26), washers (13), and nut (10) as shown.
14. **NOTE:** Two people recommended for this step. Carefully reposition entire assembly to upright position. Attach front of plastic handle (27) to back of plastic handle (28) around handle bar (23) using self-tapping screws (45) as shown.  
**IMPORTANT! Front of plastic handle (27) should face outward, away from pole assembly.**
15. Insert bolts (30) through plastic handle assembly, handle bar (23) and attach nuts (17) as shown. Tighten completely.
16. **IMPORTANT! Test fit bolts into holes of backboard brackets (38) and carefully rock them in a circular motion to ream out paint from holes if necessary.**  
Fit spacer (39) into pawl (40). Then continue to assemble as shown. Tighten completely.
17. Assemble elevator tubes (43) to ratchet components as shown. Tighten completely. **IMPORTANT! It is necessary for all parts to be installed properly for this mechanism to work safely and properly.**
18. Secure pawl (40) in place with clevis pin (48).
19. Stretch spring (56) into position with pliers.  
**▲ WARNING: USE EYE PROTECTION WHEN INSTALLING SPRINGS.**
20. **▲ WARNING: TWO PERSON MINIMUM REQUIRED FOR THIS PROCEDURE. NOT FOLLOWING RECOMMENDATION MAY RESULT IN BODILY INJURY.**  
Starting with nuts (17) flush against backboard bracket (38), secure rim and bracket to backboard. Bend upper halves of backboard brackets to line up with holes in backboard and secure. Tighten completely. **NOTE:** Mounting nuts and bolts supplied with rim hardware.
21. Assemble elevator tubes (43) to backboard bracket as shown.
22. **▲ WARNING: TWO PERSON MINIMUM REQUIRED FOR THIS PROCEDURE. NOT FOLLOWING RECOMMENDATION MAY RESULT IN BODILY INJURY.**  
Support pole on sawhorse. Attach backboard assembly to top pole section (4) as shown.  
Then install pole cap (37). **NOTE:** Two people are recommended for this step, use caution, elevator assembly is heavy.
23. **▲ WARNING: DO NOT LEAVE ASSEMBLED UNIT UNATTENDED WHEN EMPTY, MAY TIP OVER.**  
**NOTE:** Two people recommended for this procedure. Roll the completed assembly to the desired playing area. Insert the T-strap (15) through the slot on the back of the base as shown. Secure the unit to ground by twisting the tie down stake (49) into the ground and hooking the T-strap (15) onto the tie down stake (49). Fill tank with 33 gallons of water.  
**IMPORTANT! Add 2 gallons (7.6 liters) of non-toxic antifreeze in sub-freezing climates.**
24. Apply height adjustment and moving label (51) to front of pole as shown. Regulation rim height is 10 feet (3.05 m).  
**▲ WARNING: DO NOT ALLOW CHILDREN TO ADJUST HEIGHT.**  
**▲ WARNING: USE OF THIS PRODUCT WITHOUT PROPER INSTALLATION OF SMART CLIPS, OR WHEN ALL SMART CLIPS ARE NOT PRESENT COULD RESULT IN BODILY HARM. BE SURE TO FOLLOW DIRECTIONS CAREFULLY.**
25. Install net clips as shown. (See illustration)
26. Install net as shown. (See illustration)

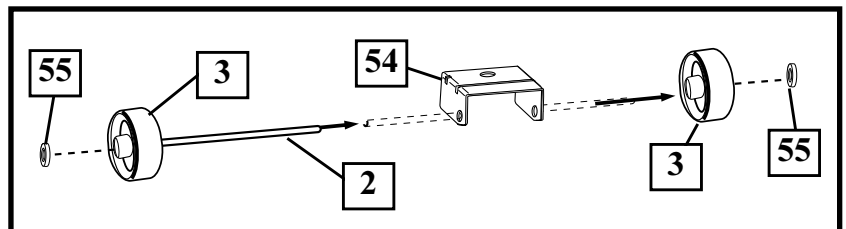
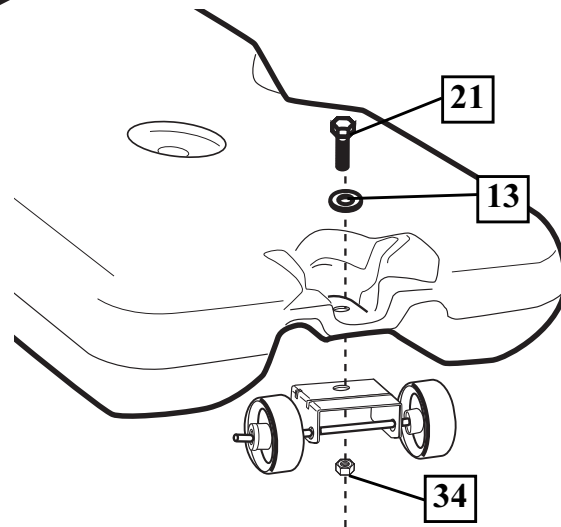
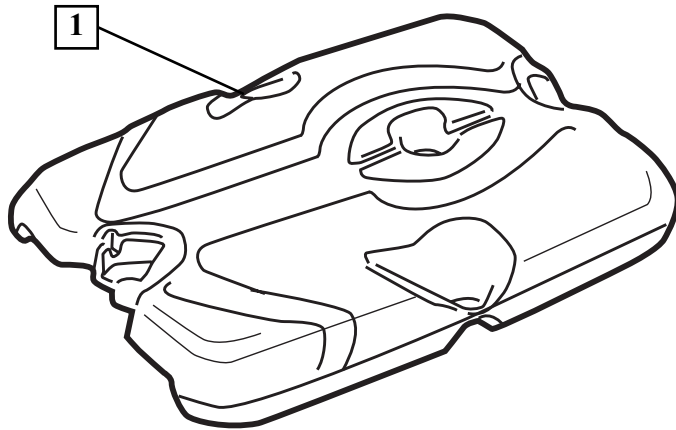


Questions or Missing Parts?

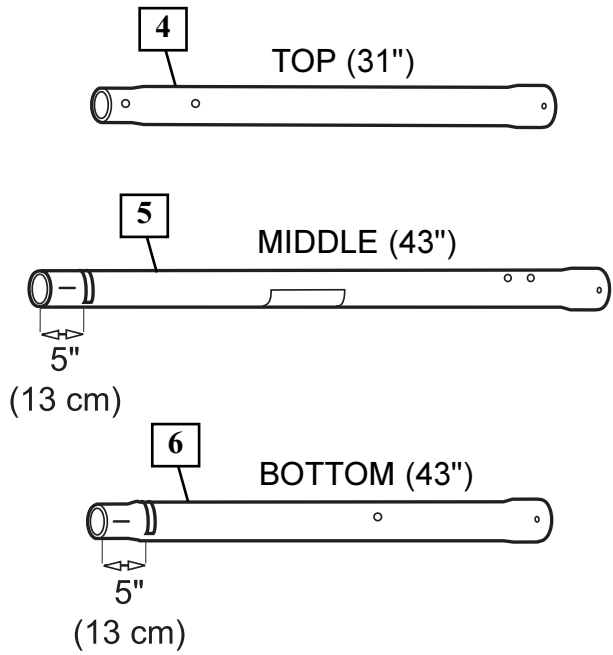
**DON'T go back to store!**

Call TOLL-FREE Customer Service  
Number listed on the front page!

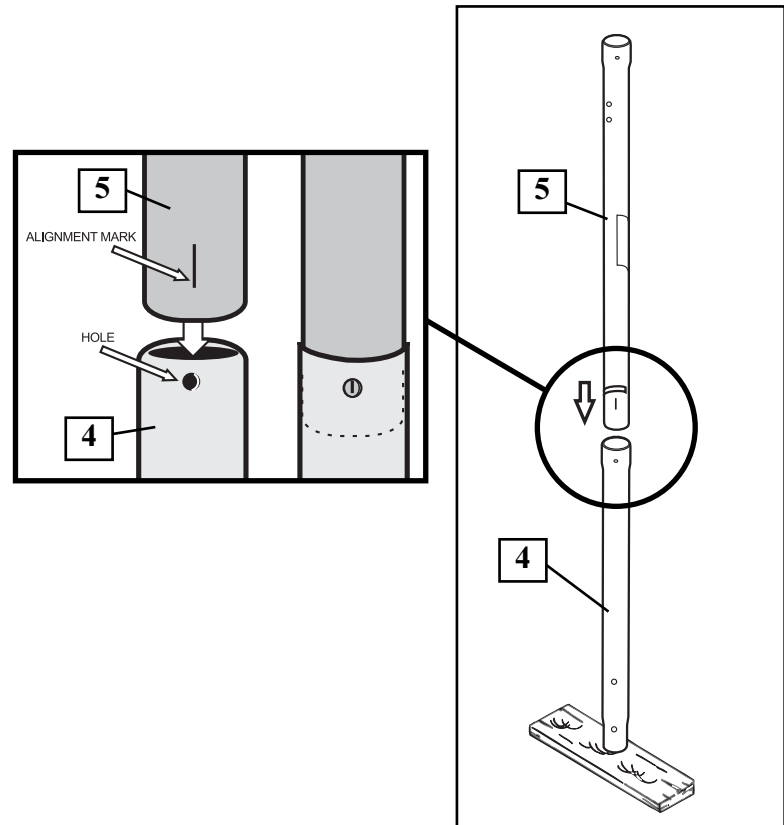
1.



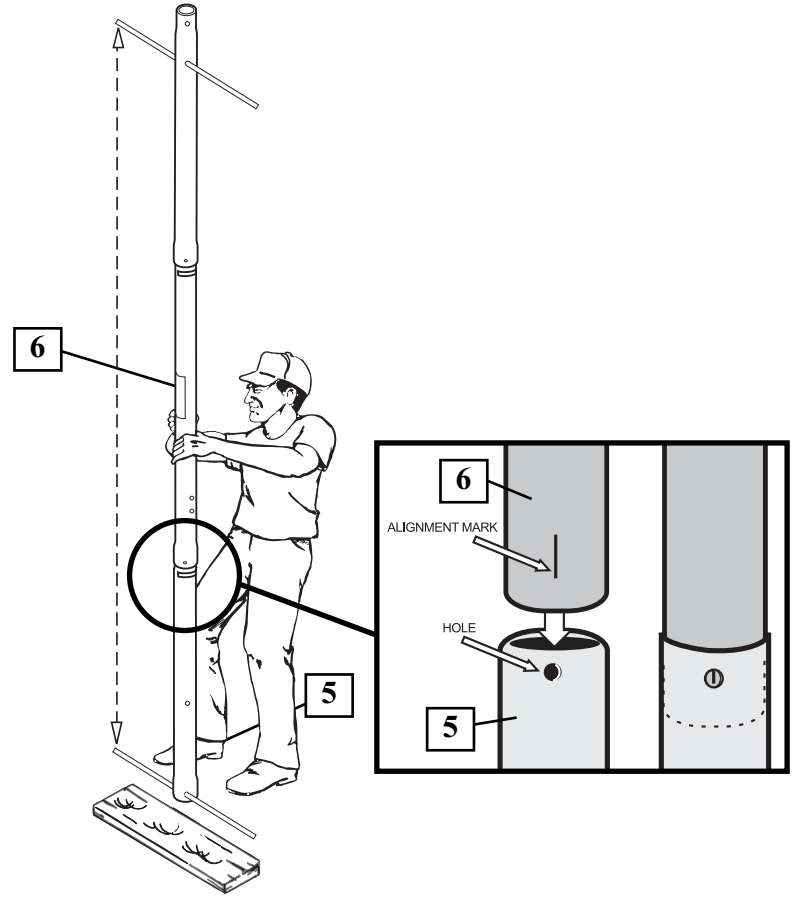
2.



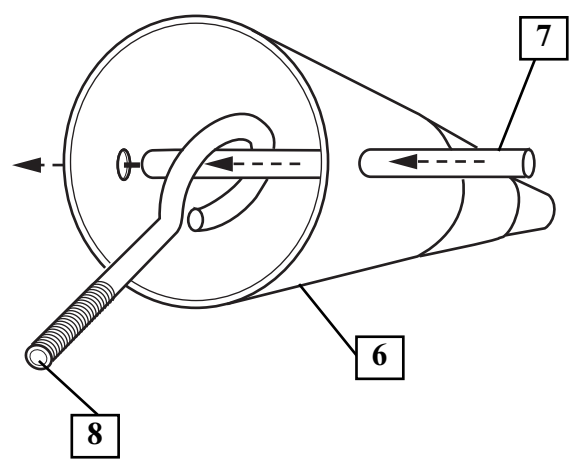
3.



4.

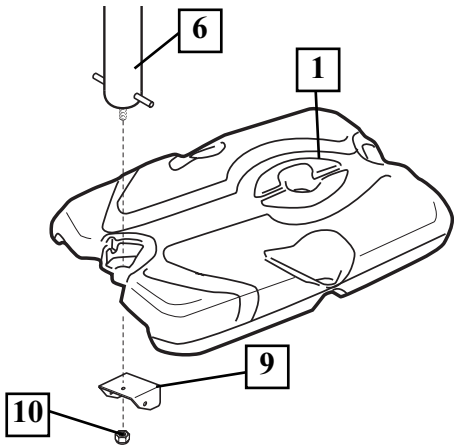


5.

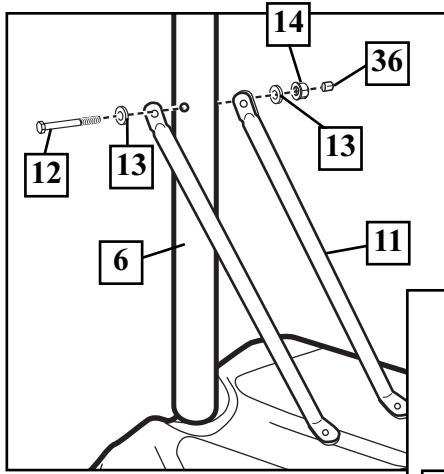




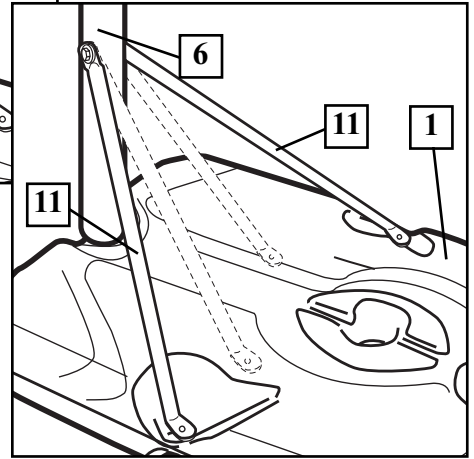
6.



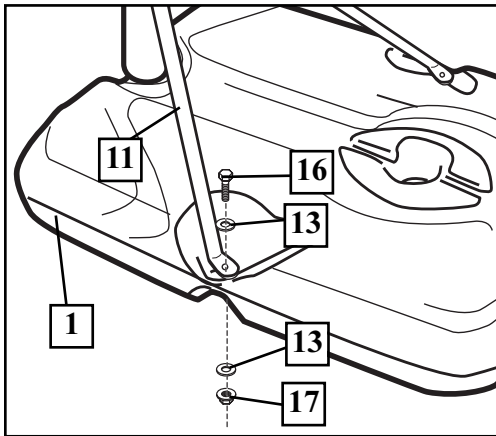
7.



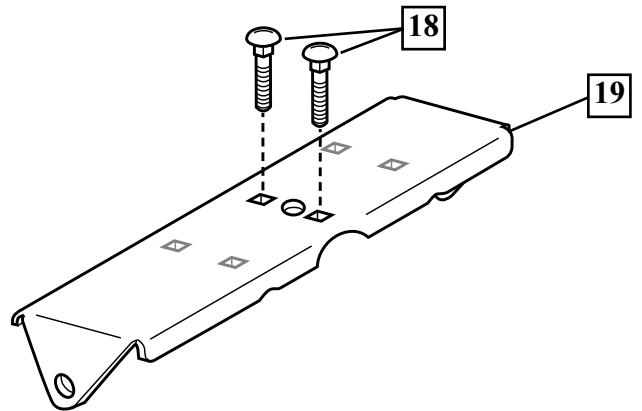
**⚠ WARNING**  
SEE TEXT PAGE



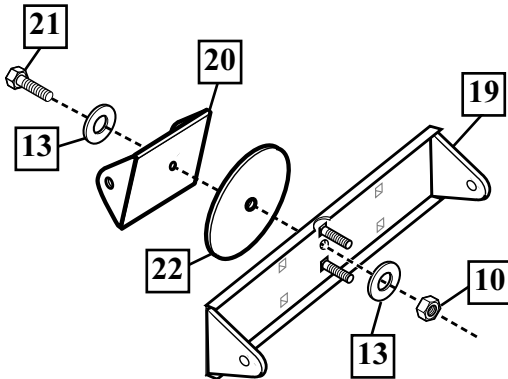
8.



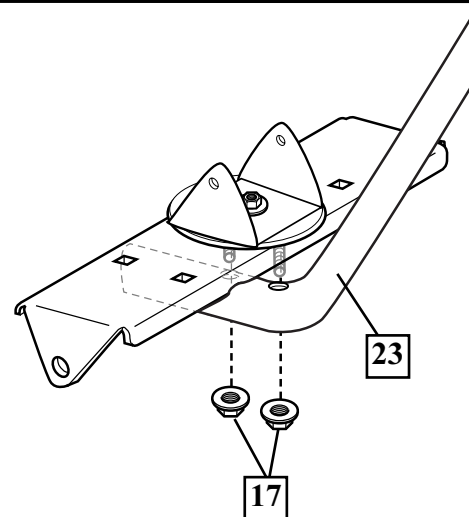
9.



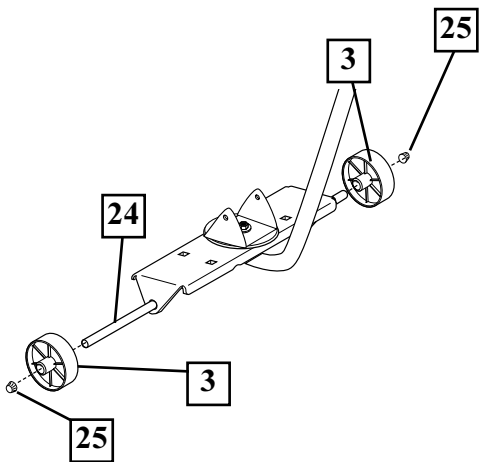
10.



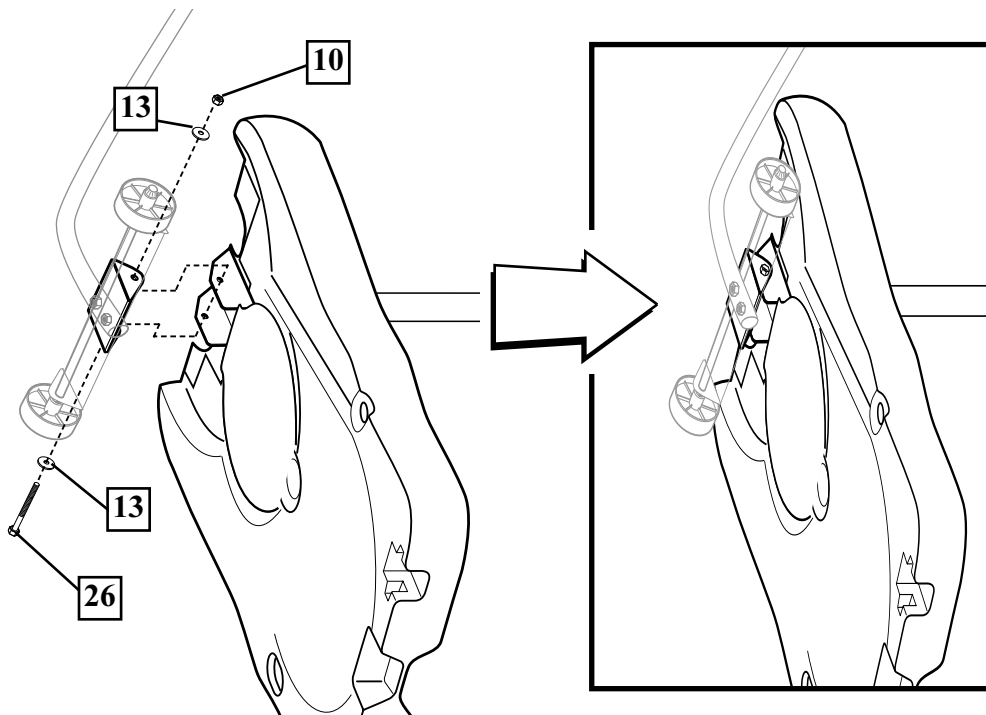
11.



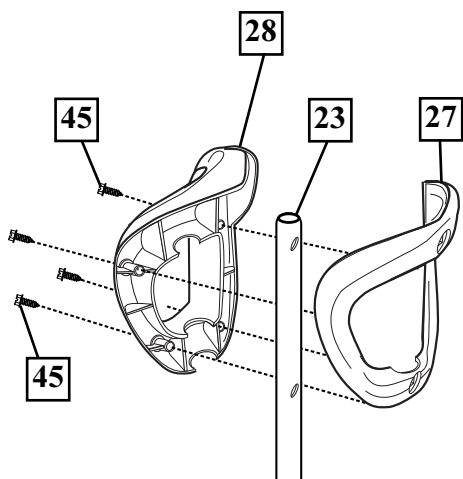
12.



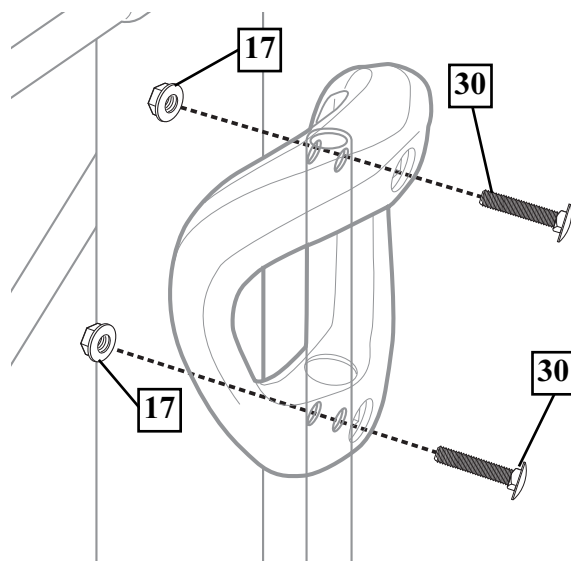
13.



14.

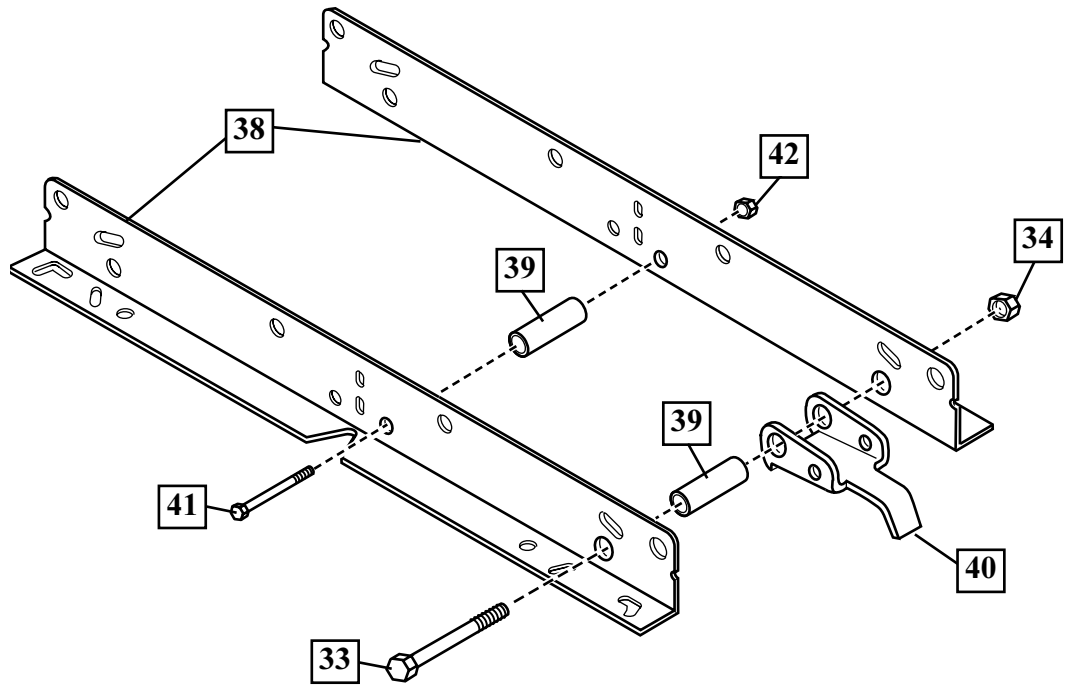


15.



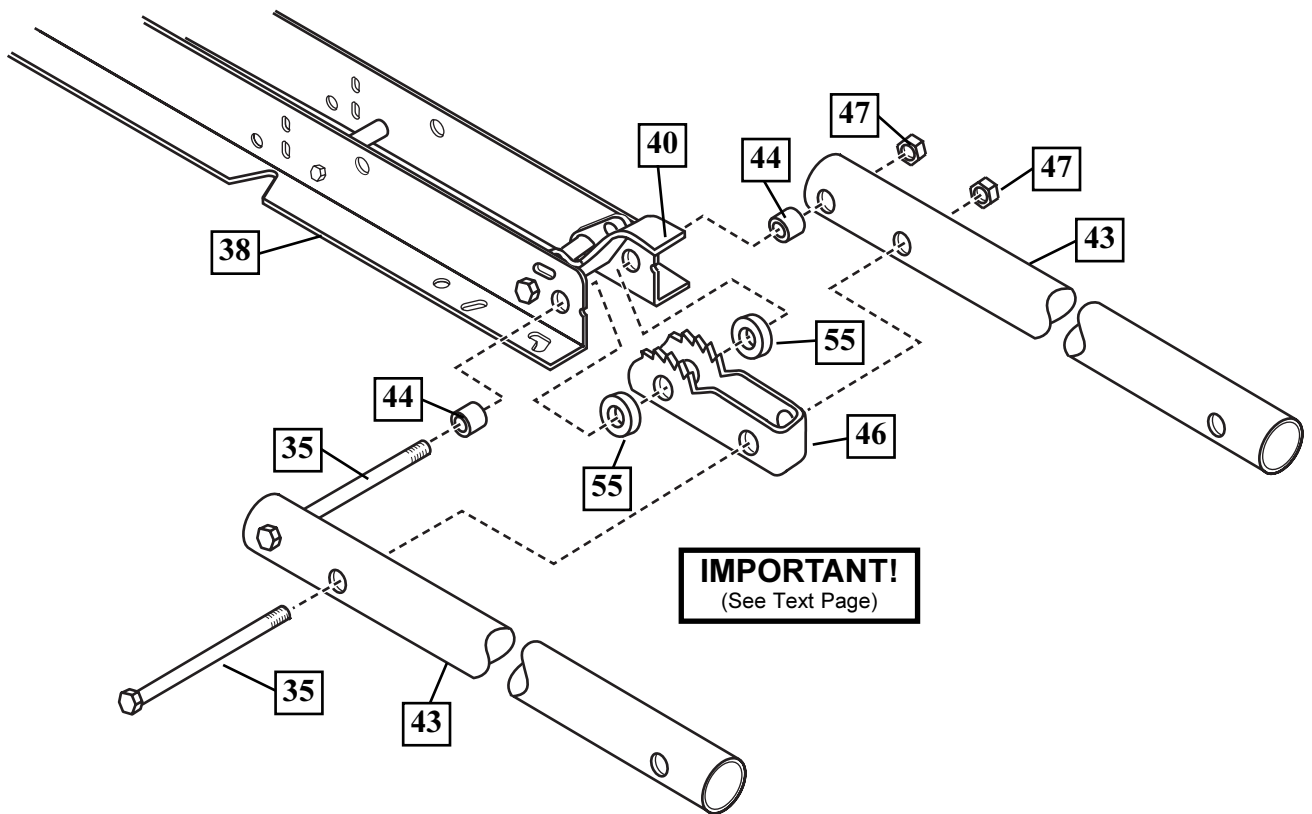
16.

**IMPORTANT!**  
(See Text Page)

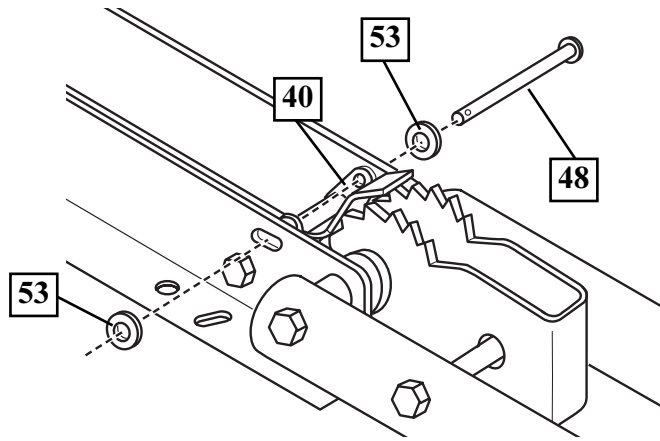


17.

**IMPORTANT!**  
(See Text Page)

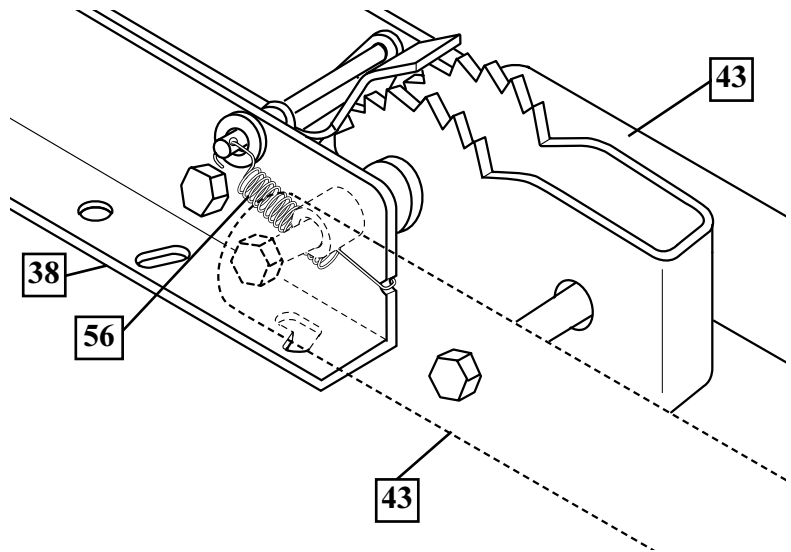


18.



19.

**⚠ WARNING**  
SEE TEXT PAGE

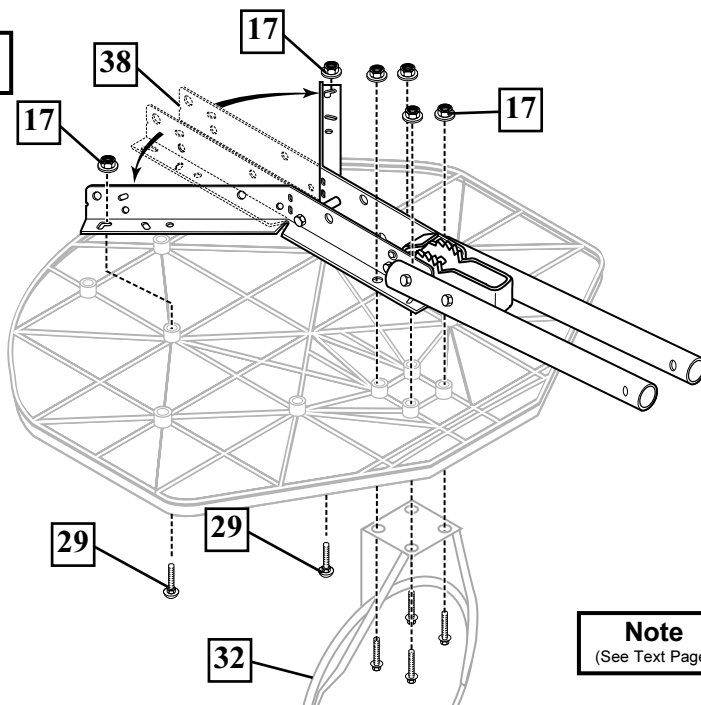


20.

BOARD STYLE MAY VARY

**⚠ WARNING**  
SEE TEXT PAGE

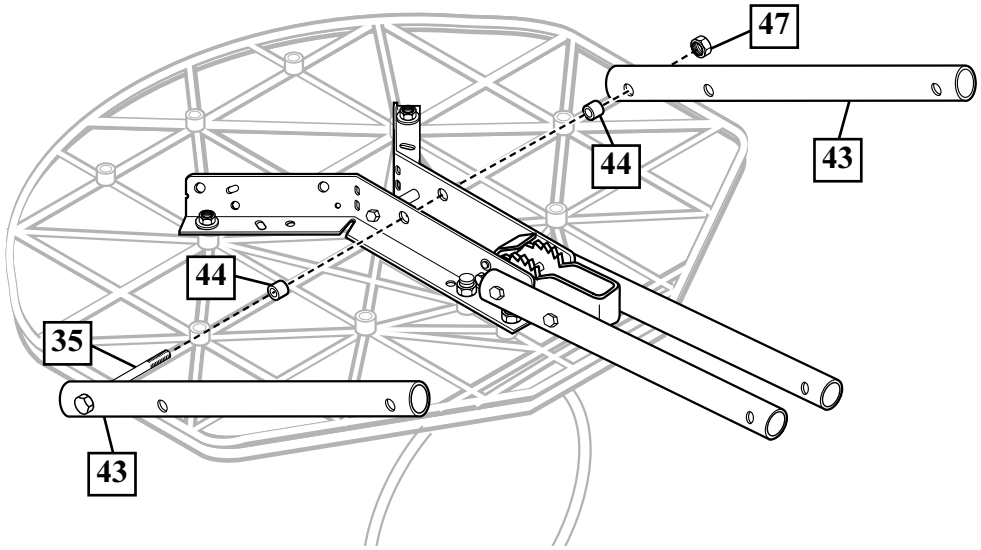
**IMPORTANT!**  
For spring loaded rim assembly, refer to instructions included with rim hardware.



**Note**  
(See Text Page)

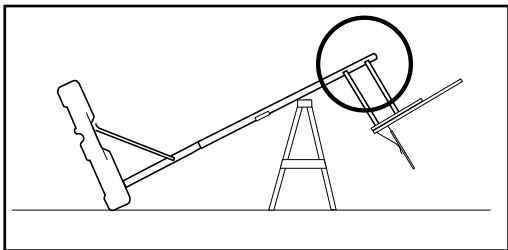
21.

BOARD STYLE MAY VARY

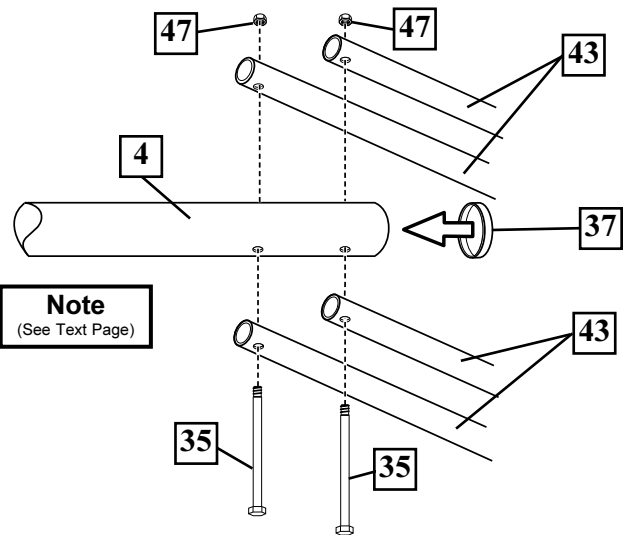


22.

**⚠ WARNING**  
SEE TEXT PAGE

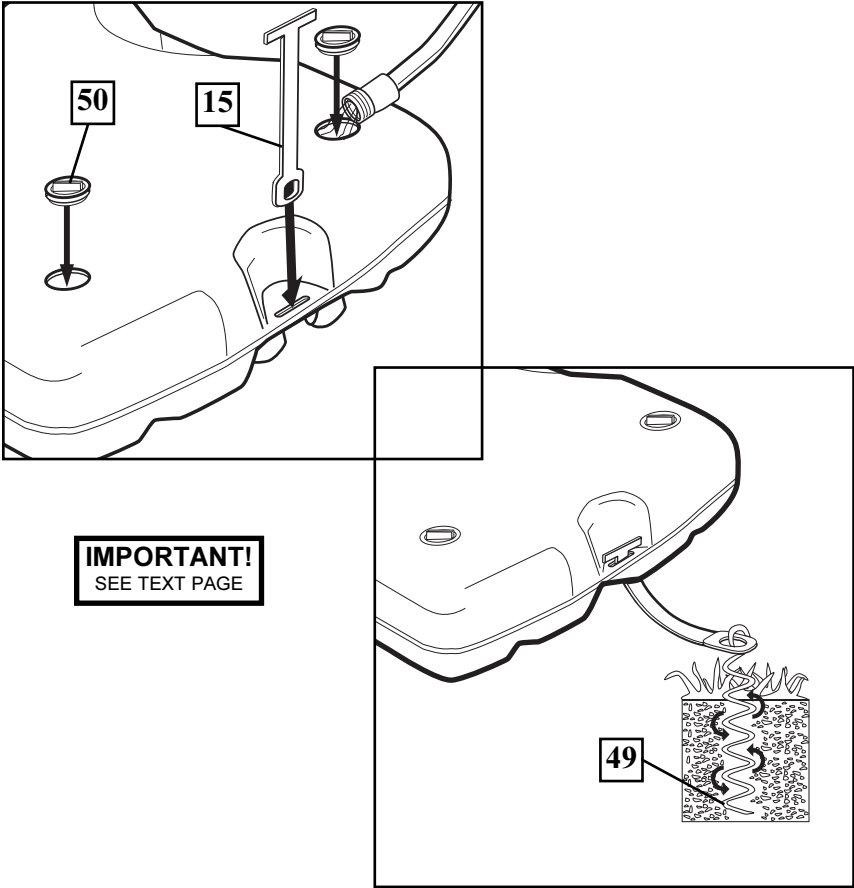


SAWHORSE OR SUPPORT TABLE



23.

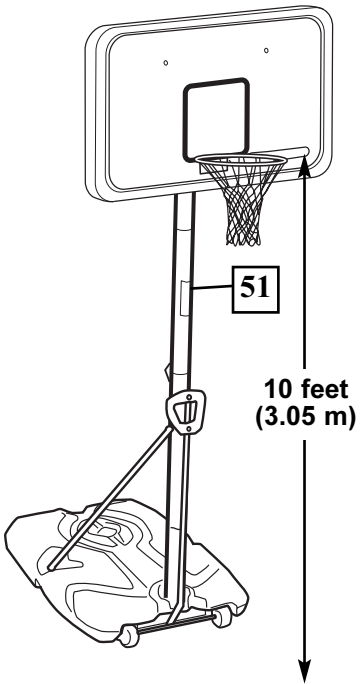
**WARNING**  
SEE TEXT PAGE



**IMPORTANT!**  
SEE TEXT PAGE

24.

**NOTE:**  
Peel protective film from surface of acrylic backboard prior to use.



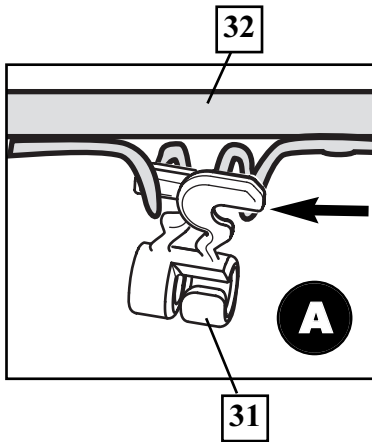
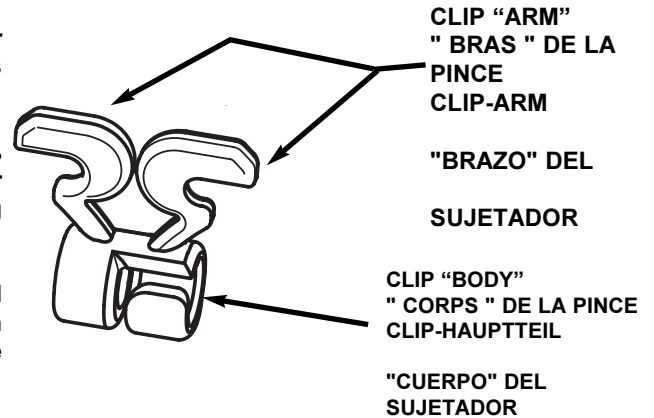
**25.** Install net clips. Installez les pinces du filet. Netzhalteklammern anbringen. Instale los sujetadores de la red.

**! WARNING:** Use of this product without proper installation of net clips, or when all net clips are not present could result in bodily harm. Be sure to follow directions carefully.

**AVERTISSEMENT :** L'utilisation de ce produit sans installer correctement ou toutes les pinces du filet risque de causer des blessures. Veuillez à suivre scrupuleusement les instructions.

**WARNUNG:** Ein Gebrauch dieses Produkts ohne ordnungsgemäß angebrachte Netzhalteklammern bzw. ohne den Gebrauch der Netzhalteklammern kann Verletzungen nach sich ziehen. Die Anleitung genau befolgen.

**ADVERTENCIA:** Si este producto se usa con los sujetadores de la red incorrectamente instalados, o si no están todos presentes, se pueden ocasionar lesiones corporales. Asegúrese de seguir cuidadosamente las instrucciones.

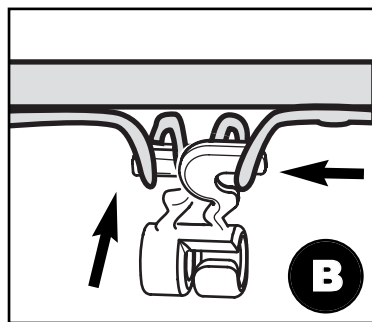


Insert one "arm" of clip (19) into ram (18) as shown. Twist "body" of clip slightly so that second "arm" slides over the top of the first "arm" as shown. Push in direction indicated by arrows.

Insérez un " bras " de la pince (19) dans l'éperon (18), comme illustré. Tournez légèrement le corps de la pince de sorte que le second bras glisse par-dessus le premier, comme illustré.

Einen Arm des Clips (19) wie gezeigt in die Spirale (18) einsetzen. Den Hauptteil des Clips etwas drehen, sodass der zweite Arm wie gezeigt oben über den ersten Arm geschoben werden kann.

Introduzca un "brazo" del sujetador (19) en el accionador (18) como se muestra. Tuerza ligeramente el "cuerpo" del sujetador de manera que el segundo "brazo" se deslice sobre el primer "brazo" como se muestra.

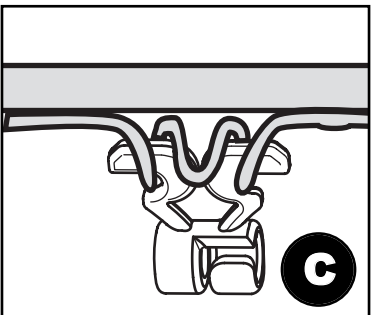


Push second "arm" back and into ram as shown.

Poussez dans le sens des flèches.

In die durch die Pfeile angezeigte Richtung schieben.

Empuje hacia la dirección que indican las flechas.



Twist "body" of clip slightly again to spread "arms" of clip. Clip "arms" must be flat and touching edge to edge as shown, not overlapping.

Tournez légèrement le corps de la pince une nouvelle fois pour en étaler les bras.

Den Hauptteil des Clips noch einmal leicht drehen, um die Arme des Clips zu spreizen.

Otra vez tuerza ligeramente el "cuerpo" del sujetador para abrir los "brazos" del sujetador.

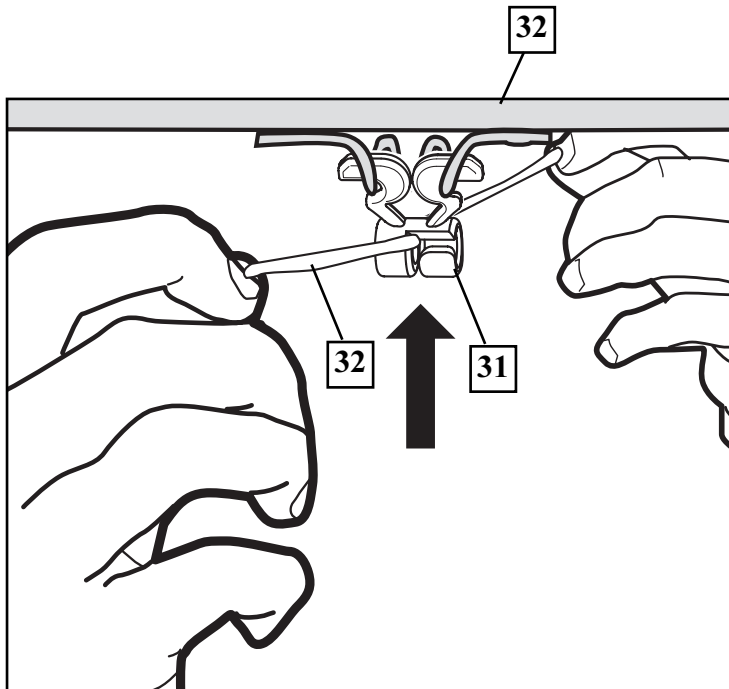
26.

Install net.

Installez le filet.

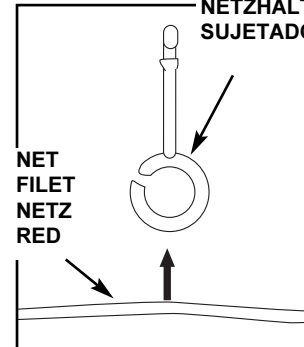
Das Netz anbringen

Instale la red.



**SIDE VIEW**  
 VUE DE CÔTÉ  
 SEITENANSICHT  
 VISTA LATERAL

**NETCLIP**  
**PINCE DE FILET**  
**NETZHALTEKLAMMER**  
**SUJETADOR DE LA RED**

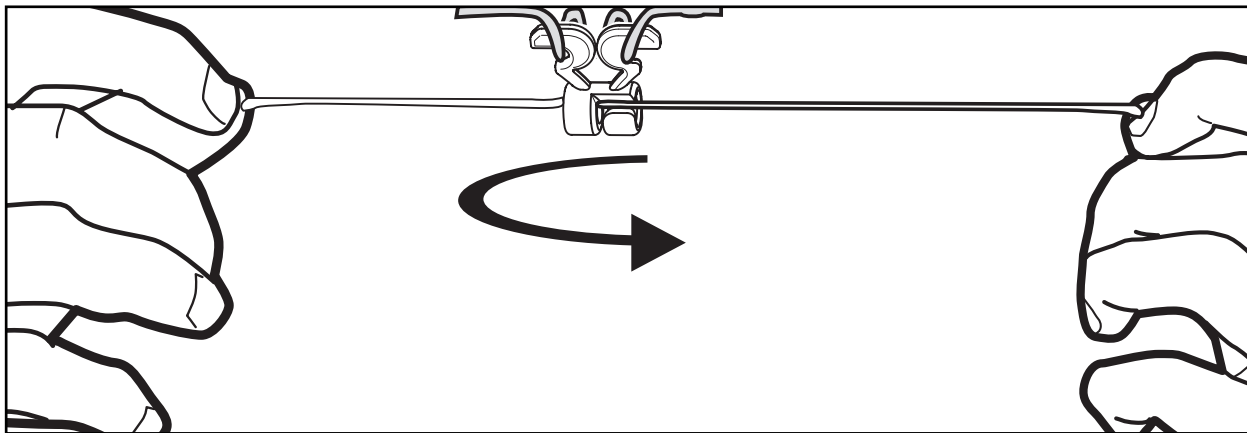


Insert net into bottom of clip as shown.

Insérez le filet dans la base de la pince, comme illustré.

Das Netz wie gezeigt unten in den Clip stecken.

Introduzca la red en la parte inferior del sujetador como se muestra.



Twist net until it snaps into position.  
Net must be centered through clip.

Tournez le filet jusqu'à ce qu'il s'enclenche en position.

Das Netz drehen, bis es einschnappt.

Tuerza la red hasta que quede conectada en su posición.

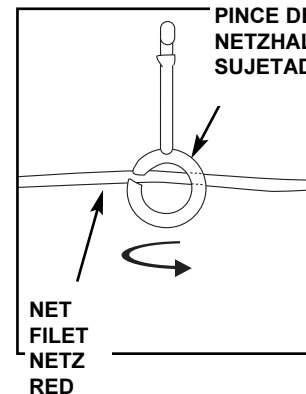
Le filet doit être centré dans la pince.

Das Netz muss im Clip zentriert werden.

La red debe quedar centrada a través del sujetador.

**SIDE VIEW**  
 VUE DE CÔTÉ  
 SEITENANSICHT  
 VISTA LATERAL

**NETCLIP**  
**PINCE DE FILET**  
**NETZHALTEKLAMMER**  
**SUJETADOR DE LA RED**





## Aux États-Unis et au Canada uniquement: IMPORTANT!

En cas de questions... pas besoin de retourner au magasin! Nous vous remercions d'avoir fait l'achat d'un de nos articles. Nous sommes certains qu'il vous apportera satisfaction. Malgré l'attention que nous portons aux détails, il se peut qu'un problème surgisse de temps à autre. En cas de questions ou pour rectifier tout problème, veuillez contacter notre service après-vente au numéro vert ci-dessous. Pour faciliter le service après-vente, veuillez avoir le numéro de modèle (se trouvant sur la boîte) et la notice de mode d'emploi sous la main lorsque vous nous contactez. Ecrire le numéro du modèle dans la case prévue à cet effet ci-dessus.

## ⚠️ CONSIGNES DE SÉCURITÉ ⚠️

**LE NON RESPECT DE CES CONSIGNES DE SÉCURITÉ RISQUE DE PROVOQUER DE GRAVES BLESSURES ET DES DÉGÂTS MATÉRIELS, ET ANNULE EN OUTRE LA GARANTIE.**

*Le propriétaire du matériel doit veiller à ce que les joueurs connaissent et respectent les règles de sécurité concernant ce matériel.*

Pour garantir votre sécurité, n'essayez pas de monter ce système sans suivre scrupuleusement les instructions. Vérifiez la boîte dans son intégralité, ainsi que l'intérieur des emballages pour localiser toutes les pièces. Avant de commencer le montage, lisez les instructions et identifiez les pièces à l'aide de l'identificateur du matériel et de la liste des pièces se trouvant dans ce document. Un montage complet et correct, ainsi qu'une utilisation adéquate, sous supervision, sont indispensables à un fonctionnement correct et permettent de diminuer les risques d'accident ou de blessures. Des blessures graves sont à prévoir si ce système n'est pas correctement installé, entretenu ou utilisé.

- Si vous utilisez une échelle en cours de montage, soyez extrêmement prudent.
- Pour cette opération, il est recommandé de s'y prendre à deux (2).
- Vérifiez régulièrement le socle pour vous assurer qu'il ne fuit pas. Les petites fuites risquent d'entraîner le basculement intempestif du système.
- Emboîtez correctement les sections de poteau (le cas échéant). Elles risquent sinon de se déboîter en cours de jeu et/ou de transport du système.
- Le climat, la corrosion ou une mauvaise utilisation risquent de provoquer la panne du système.
- La hauteur minimale d'utilisation est de 1,98 m (6'6") jusqu'à la base du panneau.
- L'équipement est prévu pour une utilisation ludique à domicile seulement et NON PAS pour un jeu extrêmement compétitif.
- Lisez et comprenez l'étiquette d'avertissement fixée au poteau.
- L'étiquette se trouve à la page 6.
- La durée de vie de votre poteau de basketball dépend de bien des facteurs. Le climat, la position du poteau, son emplacement, son exposition à des agents corrosifs tels que des pesticides, des herbicides ou des sels sont tous importants.
- Pour toute assistance technique, contactez Huffly Sports.
- La supervision d'un adulte est recommandée pour le réglage de la hauteur.

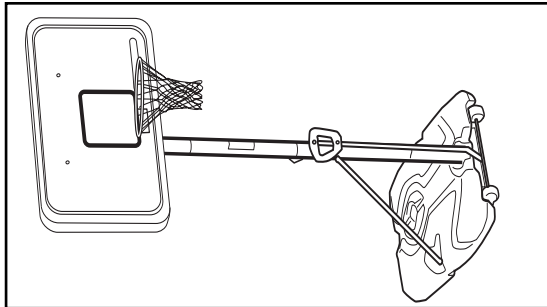
*La plupart des blessures sont provoquées par une mauvaise utilisation et/ou le non respect des instructions. Faire preuve de prudence lors de l'utilisation de ce matériel.*

**Pour des informations complémentaires sur le montage, la position, l'utilisation et l'entretien corrects, rendez-vous au site Web de l'American Basketball Council au <http://www.smarthoops.com>.**

Les logos de la NBA et d'équipe membre de la NBA, reproduits sur ce produit sont des marques de commerce et des dessins protégés par copyright et/ou d'autres formes de propriété intellectuelle qui constituent la propriété exclusive de NBA Properties, Inc. et des équipes membres de la NBA, respectives, et n'ont pas le droit d'être utilisés, en tout ou partie, sans l'autorisation écrite de NBA Properties, Inc.

## AVIS AUX PERSONNES CHARGÉES DU MONTAGE

TOUS les systèmes de basketball Huffly Sports, y compris ceux utilisés en EXPOSITION, DOIVENT être assemblés et lestés de sable ou d'eau, selon les instructions. Suivez ces instructions sous peine d'encourir des **BLESSURES GRAVES**. Il est **INACCEPTABLE** de composer un système de lestage de fortune.



### DEPLACEMENT DU SYSTÈME

1. Tout en tenant le poteau, tournez le système de basketball vers l'avant jusqu'à ce que les roues s'enclenchent sur le sol.
2. Amenez le système à l'endroit désiré.
3. Redressez délicatement le système de basketball en tournant.
4. Rattachez la fixation au sol et vérifiez la stabilité du système.

### OUTILS NÉCESSAIRES A L'INSTALLATION:

- Deux personnes
- Planche (rebut)
- Mètre
- Echelle de 2,4 m (8 pieds)
- Ruban adhésif
- Tuyau d'arrosage ou sable 163 kg (360lbs.)
- Marteau
- Clés : (deux) 1/2" (une) 9/16" ou petite ou grande clé réglable (à douille profonde 9/16" avec extension recommandée)
- Chevalet de scieur ou table de soutien

## ⚠️ AVERTISSEMENT ⚠️

**SUIVEZ CES AVERTISSEMENTS SOUS PEINE DE PROVOQUER DES BLESSURES GRAVES ET/OU DES DÉGÂTS MATÉRIELS.**

*Le propriétaire du système doit s'assurer que tous les joueurs connaissent et suivent ces consignes d'utilisation sûre du système.*

- NE VOUS SUSPENDEZ PAS sur le cerceau ou sur toute autre partie du système, y compris le panneau, les supports ou le filet.
- Durant le jeu, en particulier lorsque vous faites des smash, gardez le visage à l'écart du panneau, du cerceau et du filet. Des blessures graves sont possibles si les dents ou le visage venaient à entrer en contact avec le panneau, le cerceau ou le filet.
- Ne glissez et ne montez pas sur le socle et/ou le poteau, ne les secouez pas et ne jouez pas dessus.
- Une fois le montage terminé, remplissez complètement le système d'eau ou de sable et fixez-le au sol à l'aide du piquet. Ne laissez jamais le système à la verticale sans avoir lesté le socle, car il risquerait de se renverser et de causer des blessures.
- Lorsque vous réglez la hauteur ou que vous déplacez le système, gardez les mains et les doigts à l'écart des pièces en mouvement.
- Ne laissez pas des enfants déplacer ou régler le système.
- Avant de jouer, retirez les bijoux (bagues, anneaux, colliers, etc.). Coupez les ongles et retirez le fil.
- La surface sous le socle doit être lisse et sans gravier ou autres objets pointus. Les perforations causeront des fuites et risquent de faire basculer le système.
- Maintenez les substances organiques à l'écart du socle du poteau. L'herbe, les déchets, etc. risquent de causer la corrosion et/ou la détérioration du système.
- Vérifiez l'état du système (signes de corrosion comme rouille, piqures, écaillage) et nettoyez avec de la peinture émail pour extérieur. Si la rouille a pénétré en tout point de l'acier, remplacez immédiatement le poteau.
- Vérifiez le système avant chaque utilisation (est, visserie mal serrée, usure excessive et signes de corrosion) et réparez avant utilisation.
- Vérifiez la stabilité du système avant chaque utilisation.
- N'utilisez pas le système les jours de vent fort et/ou de température ; il risque de se renverser. Placez le système en position de stockage et/ou dans un endroit protégé du vent et à l'écart de biens personnels et/ou de fils suspendus.
- Ne jouez jamais sur des matériaux durs.
- Prenez toutes les précautions d'installation et d'entretien, reportez-vous au guide fourni.
- Lorsque vous déplacez le système, soyez prudent pour empêcher le mécanisme de se déséquilibrer.
- Maintenez le poteau bouché à tout moment.
- Ne laissez pas geler l'eau du socle. Lorsqu'il fait très froid, ajoutez de l'antigel ou du sable, ou videz complètement le socle et rangez-le. (N'utilisez pas de sel.)
- Soyez extrêmement prudent si vous placez le système sur une dénivelité. Le système risque de se renverser plus facilement.

TUFF STUFF® et les marques associées de Mattel, Inc. sont utilisées avec sa permission. Les produits Huffly ne sont nullement recommandés, évalués ni agréés par Mattel, Inc. ou ses filiales.

1. Videz le réservoir par le dessous. Enfillez l'axe des roues (2) dans le chariot à roues (54) et installez les roues (3) sur l'axe (2) avec les entretoises (55), comme illustré. Fixez le support des roues comme illustré ; une douille longue est recommandée.  
**IMPORTANT ! Ne serrez pas trop.**
2. Identifiez correctement chaque section de poteau et marquez la distance indiquée à partir des extrémités avec le ruban adhésif, comme illustré.
3. Alignez les sections de poteau supérieure et centrale comme illustré en vous basant sur le repère d'alignement et le trou.  
**IMPORTANT ! Les trous des sections de poteau supérieure (4) et centrale (5) DOIVENT être alignés les uns sur les autres pour permettre le positionnement correct du système élévateur vers la surface de jeu.**  
Entrechoquez les sections de poteau supérieure (4) et centrale (5), comme illustré, jusqu'à ce qu'elles ne bougent plus vers le repère marqué avec le ruban adhésif. **REMARQUE :** Les sections de poteau doivent se chevaucher de 9 cm minimum.
4. **IMPORTANT ! Les trous des sections de poteau supérieure (4) et inférieure (6) DOIVENT être alignés les uns sur les autres pour permettre le positionnement correct du système élévateur vers la surface de jeu.** Ajoutez la section de poteau inférieure (6) au montage, comme indiqué en utilisant le repère et le trou, et entrechoquez-les jusqu'à ce que l'ensemble soit bien emboîté. Une fois assemblées, les sections de poteau ne PEUVENT pas être séparées ! **REMARQUE :** Les sections de poteau doivent se chevaucher de 9 cm minimum.
5. Enfillez la tige (7) dans les trous de la section de poteau inférieure (6) et dans le boulon à œil (8).
6. Insérez l'ensemble du poteau dans le réservoir, comme illustré. Fixez le poteau en position à l'aide du support pivotant supérieur (9) et du contre-écrou (10).
7. Fixez les contrefiches du socle (11) au poteau à l'aide du boulon (12), des rondelles (13) et de l'écrou (14), comme illustré. Placez le couvre-boulon en vinyle (36) sur les filets de boulon exposés. Tournez l'extrémité non fixée des contrefiches du socle (11), comme illustré.
8. Fixez les contrefiches (11) sur le socle à l'aide du boulon (16), des rondelles (13) et de l'écrou (17).
9. Insérez les boulons ordinaires (18) dans le jeu central de trous du support de roues (19), comme illustré.
10. Attachez le support pivotant inférieur (20) au support de roues (19) à l'aide du boulon (21), des rondelles (13), du disque (22) et de l'écrou (10), comme illustré.
11. Attachez la barre de la poignée (23) au support de roues en utilisant les écrous (17) comme illustré.
12. Installez les roues (3) sur l'axe (24) et le support de roues avec les capuchons (25), comme illustré.
13. Attachez le support de roues au socle à l'aide du boulon (26), des rondelles (13) et de l'écrou (10), comme illustré.
14. **REMARQUE :** Il est recommandé de s'y prendre à deux pour cette procédure. Repositionnez minutieusement l'ensemble à la verticale. Attachez l'avant de la poignée en plastique (27) à l'arrière de la poignée en plastique (28) autour de la barre (23) en utilisant les vis autotaraudeuses (45), comme illustré.  
**IMPORTANT ! L'avant de la poignée en plastique (27) doit être tournée vers l'extérieur, à l'écart du poteau.**
15. Insérez les boulons (30) dans la poignée en plastique, la barre de la poignée (23) et fixez les écrous (17) comme illustré. Serrez à fond.
16. **IMPORTANT ! Testez l'ajustement des boulons dans les trous des supports (38) du panneau et basculez-les en tournant doucement pour retirer la peinture des trous si nécessaire.** Installez l'entretoise (39) dans le cliquet (40). Ensuite, continuez l'assemblage comme illustré. Serrez à fond.
17. Montez les tubes de l'élévateur (43) aux composants du cliquet, comme illustré. Serrez à fond. **IMPORTANT ! Toutes les pièces doivent être installées correctement pour que ce mécanisme fonctionne sans risque et correctement.**
18. Fixez le cliquet (40) en position avec l'axe d'épaulement (48).
19. Tendez le ressort (56) en position avec une pince.  
**AVERTISSEMENT : PROTEGEZ-VOUS LES YEUX LORSQUE VOUS INSTALLEZ DES RESSORTS.**
20. **AVERTISSEMENT : IL FAUT S'Y PRENDRE AU MOINS À DEUX POUR RÉALISER CETTE PROCÉDURE.** Suivez cette recommandation sous peine d'encourir des blessures.  
En commençant par placer les écrous (17) contre le support de panneau (38), fixez le cerceau et le support sur le panneau. Courbez les parties supérieures des supports de panneau pour les aligner sur les trous du panneau et fixez en position. Serrez à fond.  
**REMARQUE :** Les écrous et les boulons de fixation sont fournis avec la visserie du cerceau.
21. Montez les tubes de l'élévateur (43) au support de panneau, comme illustré.
22. **AVERTISSEMENT : IL FAUT S'Y PRENDRE AU MOINS À DEUX POUR RÉALISER CETTE PROCÉDURE.** Suivez cette recommandation sous peine d'encourir des blessures.  
Appuyez le poteau sur le banc de sciage. Attachez le panneau à la section de poteau supérieure (4), comme illustré.  
Installez le capuchon du poteau (37). **REMARQUE :** Il est recommandé de s'y prendre à deux pour cette opération ; usez de prudence car le système élévateur est lourd.
23. **AVERTISSEMENT : Ne laissez pas l'ENSEMBLE MONTÉ sans surveillance lorsqu'il est vide, car il risque de basculer.**  
**REMARQUE :** Il est recommandé de s'y prendre à deux pour cette procédure. Faites rouler l'ensemble jusqu'à la zone de jeu prévue. Insérez la sangle en T (15) dans la fente à l'arrière du socle, comme illustré. Fixez l'ensemble au sol en enfonçant le piquet de fixation au sol (49) dans la terre et en accrochant la sangle en T (15) au piquet (49). Remplissez de 128 litres d'eau.  
**IMPORTANT ! Ajoutez 7,6 litres d'antigel non toxique dans les climats propices au gel.**
24. Collez l'étiquette d'échelle de hauteur et de déplacement (51) sur l'avant du poteau, comme illustré. La hauteur réglementaire du cerceau est de 3,05 m (10 pieds).  
**AVERTISSEMENT : Ne confiez pas l'ajustement de la hauteur à des enfants.**  
**AVERTISSEMENT : L'UTILISATION DE CE PRODUIT SANS L'INSTALLATION CORRECTE DES PINCES DU FILET OU EN L'ABSENCE DE CERTAINES PINCES EXPOSE LES JOUEURS À DES BLESSURES. VEILLENZ À SUIVRE SCRUPULEUSEMENT CES INSTRUCTIONS.**
25. Installez les pinces de filet comme illustré. (Voir l'illustration)
26. Installez le filet comme illustré. (Voir l'illustration)

Légende	Quantité	No de réf.	Description
1	1	206615	Réservoir (noir)
2	1	200628	Axe des roues, longueur 11-3/4
3	4	226401	Roue, 10 cm (noire)
4	1	900007	Section de poteau supérieure
5	1	908480	Section de poteau centrale
6	1	900240	Section de poteau inférieure
7	1	202820	Tige, D.E. 3/8 x longueur 4-3/4
8	1	206934	Boulon à oeillet, 3/8-16 x 21/2 (long.)
9	1	206949	Support pivotant, supérieur
10	3*	203063	Contre-écrou en nylon, 3/8-16
11	2	906206	Contrefiche, D.E. 2,5 cm x 31-1/4 (long.)
12	1	201625	Boulon, Dichromate Jaune, tête à six pans, 5/16-18 x 3.60 (long.)
13	12*	203218	Rondelle plate, D.I. 3/8
14	2	203220	Contre-écrou en nylon, 5/16-18
15	1	201568	Sangle en T
16	2	203798	Boulon, bride à 6 pans, 5/16-18 x 1-1/2 (long.)
17	14	203100	Écrou, collet à six pans, 5/16-18
18	2	203103	Boulon ordinaire, 5/16-18 x 2 long.
19	1	900223	Support de roues
20	1	206948	Support pivotant, inférieur
21	2	206252	Boulon, tête à six pans, 3/8-16 x 1 (long.)
22	1	206956	Disque, D.E. 12,7 cm x D.I. 13/32, plastique
23	1	906606	Barre de préhension
24	1	206940	Axe, 53 cm (long.)
25	2	206938	Capuchon
26	1	203330	Boulon, tête à six pans, 3/8-16 x 4-1/2 (long.)
27	1	206604	Poignée, avant, plastique
28	1	206605	Poignée, arrière, plastique
29	2	203038	Boulon ordinaire, 5/16-18 x 2-3/4 (long.)
30	2	203217	Boulon ordinaire, 5/16-18 x 1-1/2 (long.)
31	12	201219	Pince, fixation pour filet
32	1		Cerceau
33	1	206360	Boulon, tête à six pans, 3/8-16 x 2.625 (long.)
34	3	201124	Écrou, 3/8-16
35	5	206304	Boulon 1/2-13 x 6-5/16 (long.)
36	1	200516	Vinyle, couvre-boulon, 5/16
37	1	202814	Capuchon, dessus du poteau
38	2	900846	Support de panneau, (noir)
39	2	201129	Entretoise, 1-3/4 long.
40	1	201160	Levier de cliquet
41	1	240017	Boulon, tête à six pans, 1/4-20 x 2-1/4 (long.)
42	1	203493	Contre-écrou, six pans, 1/4-20
43	4	804808	Tube du système élévateur (noir)
44	4	206311	Entretoise, plastique
45	4	204804	Vis cruciforme, 3/4 (long.)
46	1	201159	Cliquet
47	5*	206340	Contre-écrou, six pans, 1/2-13
48	1	206305	Axe d'épaulement, 1/4 x 2-9/32 de longueur
49	1	203124	Piquet de fixation au sol
50	2	203617	Bouchon
51	1	201268	Étiquette, échelle de hauteur et déplacement
52	1		Filet
53	2	206303	Rondelle, 1/4 x 9/32 (D.I.)
54	1	200627	Chariot à roulettes
55	4	201651	Entretoise, plastique, axe des roues
56	1	201125	Ressort de retour du cliquet

## !Usted es importante para Huffly!

Agradecemos que haya comprado uno de nuestros muchos productos de calidad. Estamos seguros que quedará muy satisfecho con su selección. Aunque hemos tenido un gran cuidado y puesto un gran esfuerzo en la fabricación de cada uno de nuestros productos, pueden ocurrir problemas. Para asegurar la resolución rápida y adecuada de cualquier problema, o para recibir respuesta a cualquier pregunta, por favor póngase en contacto con el Centro de Servicio al Cliente. El servicio será más rápido si proporciona su número de modelo (se encuentra en la caja). Por favor escriba su número de modelo en el espacio que se encuentra arriba.

### ⚠ INSTRUCCIONES DE SEGURIDAD ⚠

SI NO SE SIGUIEN ESTAS INSTRUCCIONES DE SEGURIDAD SE PUEDE OCASIONAR UNA LESIÓN GRAVE, DAÑOS A LA PROPIEDAD Y ANULACIÓN DE LA GARANTÍA.

El propietario debe asegurarse que todos los jugadores sepan y obedezcan estas reglas para la operación segura de la unidad.

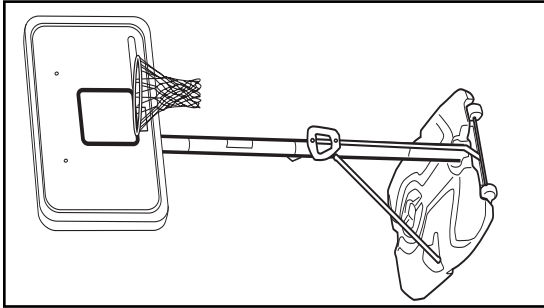
Para asegurar su seguridad, no intente montar este sistema sin seguir las instrucciones cuidadosamente. Revise toda la caja y el interior del material de embalaje para ver si hay partes. Antes de comenzar el montaje, lea las instrucciones e identifique las partes usando el identificador de la tornillería y la lista de partes que vienen en este documento. El montaje completo y el uso y la supervisión adecuados son esenciales para la operación correcta y para reducir el riesgo de sufrir accidentes o lesiones. Existe una alta probabilidad de sufrir lesiones graves si este sistema no se instala, mantiene y opera adecuadamente.

- Tenga mucho cuidado si utiliza una escalera durante el montaje.
- Se recomienda que dos (2) personas realicen esta operación.
- Revise regularmente la base para detectar si tiene fugas. Las fugas lentas podrían causar que el sistema seladeara inesperadamente.
- Ajuste adecuadamente las secciones del poste (si es aplicable). Si no lo hace, las secciones del poste se podrían separar durante el juego y/o el transporte del sistema.
- El clima, la corrosión y el uso inadecuado podrían ocasionar la falla del sistema. La altura mínima de operación es de 1,98 m (6'6") hasta la parte inferior del respaldito.
- Este equipo está diseñado solamente para uso recreativo en el hogar, NO para juego competitivo excesivo.
- Lea y entienda la etiqueta de advertencia adherida en el poste. La etiqueta se muestra en la página 8.
- La vida útil de su poste de baloncesto depende de muchas condiciones. El clima, la colocación del poste, la ubicación del poste y la exposición a sustancias corrosivas tales como pesticidas, herbicidas o sales son todas condiciones importantes.
- Si requiere asistencia técnica, comuníquese con Huffly Sports.
- Se recomienda la supervisión de un adulto cuando se ajuste la altura.

La mayoría de las lesiones son ocasionadas por el mal uso y/o por no seguir las instrucciones. Tenga cuidado cuando use esta unidad.

Para obtener más información sobre el montaje, ubicación, uso y mantenimiento adecuados visite el sitio en la red de The American Basketball Council en <http://www.smarthoops.com>

Las identificaciones de la NBA y de los equipos individuales miembros de la NBA que se reproducen en este producto, son marcas comerciales y diseños protegidos por derechos de autor y/u otras formas de propiedad intelectual. Estas identificaciones son propiedad exclusiva de NBA Properties, Inc. y de los equipos respectivos miembros de la NBA, y no se pueden usar, total ni parcialmente, sin el consentimiento por escrito de NBA Properties, Inc.



### AVISO PARA LAS PERSONAS QUE VAN A MONTAR EL SISTEMA

TODOS los sistemas de baloncesto de Huffly Sports, inclusive los que se usan para EXHIBICIÓN, SE DEBEN montar y estabilizar con arena y o agua de acuerdo con las instrucciones. Si no se siguen las instrucciones se podría ocasionar una LESIÓN SERIA. NO es aceptable improvisar un sistema de compensación de peso.

### ⚠ ADVERTENCIA ⚠

SI NO SE OBSERVAN ESTAS ADVERTENCIAS SE PUEDEN OCASIONAR LESIONES GRAVES Y/O DAÑOS MATERIALES

El propietario debe asegurarse de que todos los jugadores conozcan y sigan estas reglas para la operación segura del sistema.

- NO SE CUELQUE del borde ni de ninguna parte del sistema, inclusive el respaldito, abrazaderas de soporte o red.
- Durante el juego, especialmente cuando se realizan actividades de disparo de pelota, el jugador debe mantener la cara alejada del respaldito, borde y red. Si los dientes o la cara entran en contacto con el respaldito, el borde o la red se podría ocasionar una lesión grave.
- No se deslice, suba, mueva ni juegue sobre la base y/o en el poste.
- Después de terminar el montaje, llene completamente el sistema con agua o arena y fíjelo al piso. Nunca deje el sistema en una posición vertical con la base vacía, ya que esto podría ocasionar lesiones.
- Cuando ajuste la altura o mueva el sistema, mantenga las manos y los dedos alejados de las partes móviles.
- No permita que los niños muevan o ajusten el sistema. Durante el juego no use bisutería (anillos, relojes, collares, etc.). Los objetos pueden enredarse en la red.
- La superficie debajo de la base debe estar lisa y no tener grava ni otros objetos filosos. Las perforaciones ocasionan fugas y éstas podrían ocasionar que el sistema se ladee.
- Mantenga el material orgánico alejado de la base del poste. El césped, desperdicios, etc. podrían causar corrosión y/o deterioro.
- Verifique que el sistema del poste no esté corroído (oxidación, corrosión, asfistamiento) y si es así, reemplácelo a la mayor brevedad posible. Si el sistema del poste se oxidación penetró en el acero en algún punto, reemplácelo inmediatamente el poste.
- Antes de usar el sistema verifique que tenga el balasto adecuado, que la tornillería no esté floja y que no esté excesivamente desgastado ni tenga signos de corrosión. Si presenta alguna de estas condiciones repárela antes de usarlo.
- Revise la estabilidad del sistema antes de usarlo.
- No use el sistema durante condiciones de mucho viento y/o condiciones climáticas severas, el sistema se puede ladear. Coloque el sistema en posición de almacenamiento y/o en un área protegida de viento y aléjelo de la propiedad personal o cables suspendidos.
- Nunca juegue en las proximidades de las líneas de transmisión y mantenga las distancias para ver la instalación y mantenimiento adecuados.
- Cuando mueva el sistema tenga cuidado de que el mecanismo no se desplace.
- Siempre mantenga tapada la sección superior del poste. No permita que el agua del tanque se congele. En condiciones climáticas bajo cero añada un anticongelante no tóxico, arena, o vacíe completamente el tanque y almacene el sistema. (No use sal.)
- Tenga mucho cuidado si coloca el sistema en una superficie con pendiente. El sistema se puede ladear más fácilmente.

### HERRAMIENTAS NECESARIAS PARA LA INSTALACIÓN:

- Dos personas
- Tablero de madera (sobrante)
- Cinta para medir
- Escalera de 2.4 m (8 pies)
- Cinta
- Manguera de jardín o 163 kg. (360 libras) de arena
- Martillo
- Llaves: (dos) 1/2" (Una) 9/16", o llaves ajustables grandes y pequeñas (Se recomienda un receptáculo profundo de 9/16" con extensión)
- Caballote o mesa de apoyo

- ### MOVIMIENTO DEL SISTEMA
- Mientras sujeta el poste, gire el sistema de baloncesto hacia adelante hasta que las ruedas toquen el piso.
  - Mueva el sistema de baloncesto hasta la ubicación deseada.
  - Con cuidado gire el sistema de baloncesto hasta que quede en posición vertical.
  - Vuelva a colocar el sujetador del sistema al piso y verifique la estabilidad del sistema.

TUFF STUFF® y las marcas comerciales asociadas son propiedad de Mattel, Inc. y se usan con su permiso. Mattel, Inc. y todas sus compañías afiliadas o subsidiarias de ninguna forma patrocinan, aprueban ni autorizan los productos Huffly.

1. Saque todas las piezas que se encuentran debajo del tanque. Instale el eje de la rueda (2) a través del carro portamuera (54) e instale las ruedas (3) en el eje de la rueda (2) con los espaciadores (55) como se muestra.

Fije el soporte de la rueda como se muestra, se recomienda usar un receptáculo profundo.

¡IMPORTANTE! No apriete en exceso.

2. Identifique correctamente cada sección del poste y marque con cinta la distancia indicada desde los extremos, como se muestra.

3. Alinee las secciones superior y media del poste como se muestra, usando la marca de alineación y el orificio.

¡IMPORTANTE! Los orificios de las secciones superior (4) y media (5) del poste DEBEN estar alineados para colocar correctamente el sistema elevador hacia la superficie de juego.

Golpee la sección superior (4) y la sección media (5) del poste entre sí, como se muestra, hasta que ya no se muevan hacia la marca de cinta de referencia. NOTA: Las secciones del poste se deben traslapar un mínimo de 3-1/2" (9 cm).

4. ¡IMPORTANTE! Los orificios de las secciones superior (4) e inferior (6) del poste DEBEN estar alineados para colocar correctamente el sistema elevador hacia la superficie de juego. Añada la sección inferior del poste (6) al conjunto como se muestra, usando la marca de alineación y el orificio, y golpéela hasta que quede completamente fija. Una vez montadas las secciones del poste ¡NO SE PUEDEN separar! NOTA: Las secciones del poste se deben traslapar un mínimo de 3-1/2" (9 cm).

5. Instale la varilla (7) a través de los orificios que se encuentran en la sección inferior del poste (6) y del perno de anilla (8).

6. Introduzca el conjunto del poste en el conjunto del tanque como se muestra. Asegure el conjunto del poste con el soporte giratorio superior (9) y la contratuerca (10).

7. Fije los puntales de la base (11) en el poste usando un perno (12), arandelas (13) y una tuerca (14), como se muestra. Coloque la cubierta vinílica para perno (36) sobre las roscas expuestas del perno. Gire los extremos no fijados de los puntales de la base (11) como se muestra.

8. Fije los puntales de la base (11) en la base usando un perno (16), arandelas (13) y una tuerca (17).

9. Inserte los pernos cabeza de carro (18) en el grupo central de orificios que se encuentran en el soporte de la rueda (19) como se muestra.

10. Conecte el soporte giratorio inferior (20) en el soporte de la rueda (19) usando el perno (21), las arandelas (13), el disco (22) y la tuerca (10) como se muestra.

11. Conecte la barra de sujeción (23) en el conjunto del soporte de la rueda usando las tuercas (17) como se muestra.

12. Instale las ruedas (3) en el eje (24) y el conjunto del soporte de la rueda con las tapas de presión (25) como se muestra.

13. Conecte el conjunto del soporte de la rueda en el conjunto de la base usando el perno (26), las arandelas (13), y la tuerca (10) como se muestra.

14. NOTA: Se recomienda que dos personas realicen este paso. Vuelva a colocar cuidadosamente todo el conjunto en posición vertical.

Coloque la parte frontal de la manija de plástico (27) en la parte posterior de la manija de plástico (28) alrededor de la barra de sujeción (23) usando los tornillos autorroscantes (45) como se muestra.

¡IMPORTANTE! La parte del frente de la manija de plástico (27) debe quedar orientada hacia adelante, en sentido contrario al conjunto del poste.

15. Introduzca los pernos (30) a través del conjunto de la manija de plástico y la barra de sujeción (23), y conecte las tuercas (17) como se muestra. Apriete completamente.

16. ¡IMPORTANTE! Coloque tentativamente los pernos en los orificios de los soportes del respaldo (38) y muévalos cuidadosamente con un movimiento circular para quitar la pintura de los orificios si es necesario.

Ajuste el separador (39) en el fiador (40). Luego continúe el montaje

como se muestra. Apriete completamente.

17. Monte los tubos elevadores (43) en los componentes del trinquete como se muestra. Apriete completamente. ¡IMPORTANTE! Es necesario instalar adecuadamente todas las piezas para que este mecanismo funcione de manera segura y adecuada.

18. Fije el fiador (40) en su lugar con el pasador de horquilla (48).

19. Estire el resorte (56) hasta su posición con pinzas.

ADVERTENCIA: CUANDO INSTALE LOS RESORTES UTILICE PROTECTORES OCULARES.

20. ADVERTENCIA: SE REQUIEREN COMO MÍNIMO DOS PERSONAS PARA REALIZAR ESTE PROCEDIMIENTO. Si no se observa esta recomendación se podrían ocasionar lesiones corporales.

Comenzando con las tuercas (17), nivele contra el soporte del respaldo (38), fije el borde y el soporte al respaldo. Doble las mitades superiores de los soportes del respaldo para alinearlos con los orificios del respaldo y fijelos. Apriete completamente. NOTA: Las tuercas y los pernos para el montaje se suministran con el herraje del borde.

21. Monte los tubos elevadores (43) en el soporte del respaldo como se muestra.

22. ADVERTENCIA: SE REQUIEREN COMO MÍNIMO DOS PERSONAS PARA REALIZAR ESTE PROCEDIMIENTO. Si no se observa esta recomendación se podrían ocasionar lesiones corporales.

Apoye el poste en un caballete de aserrar. Conecte el conjunto del respaldo en la sección superior del poste (4) como se muestra.

Luego instale la tapa del poste (37). NOTA: Se recomienda que dos personas realicen este paso, tenga cuidado, el conjunto del elevador es pesado.

23. ADVERTENCIA: No deje desatendida la UNIDAD MONTADA cuando esté vacía, ya que SE PUEDE VOLCAR.

NOTA: Se recomienda que dos personas realicen este procedimiento. Ruede el conjunto completo al área de juego deseada. Introduzca la correa en T (15) a través de la ranura que se encuentra en la parte posterior de la base, como se muestra. Fije la unidad introduciendo la estaca de amarre (49) en el piso con un movimiento rotatorio y enganchando la correa en T (15) en la estaca de amarre (49). Llene el tanque con 33 galones (114 litros) de agua.

¡IMPORTANTE! Añada 2 galones (7,6 litros) de un anticongelante no tóxico en

climas con temperaturas bajo cero.

24. Aplique la etiqueta de ajuste de la altura y de movimiento (51) en la parte frontal del poste, como se muestra. La altura reglamentaria del borde es de 10 pies (3,05 m).

ADVERTENCIA: No permita que los niños ajusten la altura. ADVERTENCIA: EL USO DE ESTE PRODUCTO SIN LA INSTALACIÓN ADECUADA DE LOS SUJETADORES SMART CLIP, O LA FALTA DE ELLOS PUEDE DAR COMO RESULTADO DAÑOS CORPORALES. ASEGÚRESE DE SEGUIR CUIDADOSAMENTE LAS INSTRUCCIONES.

25. Instale los sujetadores de la red como se muestra. (Vea la ilustración)

26. Instale la red como se muestra. (Vea la ilustración)

Artículo	Cant.	Pieza N.º	Descripción
1	1	206615	Tanque, (negro)
2	1	200628	Eje de la rueda, 11-3/4 de longitud
3	4	226401	Rueda, 4" (10,2 cm) ( negra)
4	1	900007	Sección superior del poste
5	1	908480	Sección media del poste
6	1	900240	Sección inferior del poste
7	1	202820	Varilla, 3/8 D.E. x 4-3/4 de longitud
8	1	206934	Perno de anilla, 3/8- 16 x 2 1/2 de longitud
9	1	206949	Soporte giratorio, superior
10	3*	203063	Tuerca de nilón del inserto de seguridad, 3/8-16
11	2	906206	Puntal, 1" D.E. x 31-1/4 de longitud
12	1	201625	Perno, Dichromate amarillo, cabeza hexagonal, 5/16-18 x 3.60 de longitud
13	12*	203218	Arandela, plana, 3/8 D.I.
14	2	203220	Tuerca de nilón del inserto de seguridad, 5/16-18
15	1	201568	Dispositivo de anclaje, correa en T
16	2	203798	Perno, brida hexagonal, 5/16-18 x 1-1/2 de longitud
17	14	203100	Tuerca, brida hexagonal, 5/16-18
18	2	203103	Perno cabeza de carro, 5/16-18 x 2 de longitud
19	1	900223	Soporte de la rueda
20	1	206948	Soporte giratorio, inferior
21	2	206252	Perno, cabeza hexagonal, 3/8-16 x 1 de longitud
22	1	206956	Disco, 5" (12,7 cm) D.E. x 13/32 D.I., plástico
23	1	906606	Barra de sujeción
24	1	206940	Eje, 21" (53,3 cm) de longitud
25	2	206938	Tapa de presión
26	1	203330	Perno, cabeza hexagonal, 3/8-16 x 4-1/2 de longitud
27	1	206604	Manija, frente, plástico
28	1	206605	Manija, posterior, plástico
29	2	203038	Perno cabeza de carro, 5/16-18 x 2-3/4 de longitud
30	2	203217	Perno cabeza de carro, 5/16-18 x 1-1/2 de longitud
31	12	201219	Sujetador de la red, Smart Clip
32	1		Borde
33	1	206360	Perno, cabeza hexagonal, 3/8-16 x 2,625 de longitud
34	3	201124	Tuerca, 3/8-16
35	5	206304	Perno 1/2-13 x 6-5/16 de longitud
36	1	200516	Cubierta vinílica para perno, 5/16
37	1	202814	Tapa, parte superior del poste
38	2	900846	Soporte del tablero, (negro)
39	2	201129	Espaciador, 1-3/4 de longitud
40	1	201160	Palanca con trinquete
41	1	240017	Perno, cabeza hexagonal, 1/4-20 x 2-1/4 de longitud
42	1	203493	Contratuerca, cabeza hexagonal, 1/4-20
43	4	804808	Tubo elevador, (negro)
44	4	206311	Espaciador, plástico
45	4	204804	Tornillo, cabeza en cruz, 3/4 de longitud
46	1	201159	Trinquete
47	5*	206340	Contratuerca, cabeza hexagonal, 1/2-13
48	1	206305	Pasador de horquilla, 1/4 x 2-9/32 de largo
49	1	203124	Estaca, amarre
50	2	203617	Tapa
51	1	201268	Etiqueta, ajuste de la altura y de movimiento
52	1		Red
53	2	206303	Arandela, 1/4 x 9/32 D.I.
54	1	200627	Carro portamuela
55	4	201651	Espaciador, plástico, eje de la rueda
56	1	201125	Resorte de retorno del trinquete

## Huffly steht zur Qualität seiner Produkte!

Wir freuen uns, daß Sie eines unserer ausgezeichneten Produkte gewählt haben und sind zuversichtlich, daß Sie mit diesem Kauf sehr zufrieden sein werden. Obwohl unsere Produkte mit der größten Sorgfalt hergestellt werden, können bisweilen Probleme auftreten. Bitte wenden Sie sich in diesen Fällen an unser Kundendienstzentrum, damit wir Ihr Problem schnell und richtig beheben oder Ihre Fragen beantworten können. Wir können Ihnen schneller helfen, wenn Sie die Modellnummer griffbereit haben (siehe Kartonaufdruck). Bitte tragen Sie diese Nummer im dafür vorgesehenen Feld weiter oben ein.

## ! SICHERHEITSHINWEISE !

**EIN MISSACHTEN DIESER SICHERHEITSHINWEISE KANN SCHWERE VERLETZUNGEN ODER SACHSCHÄDEN ZUR FOLGE HABEN UND MACHT DIE GARANTIEERKLÄRUNG UNWIRKSAM.**

*Der Besitzer muß gewährleisten, daß alle Spieler mit den Vorschriften für eine sichere Bedienung dieser Vorrichtung vertraut sind und diese beachten.*

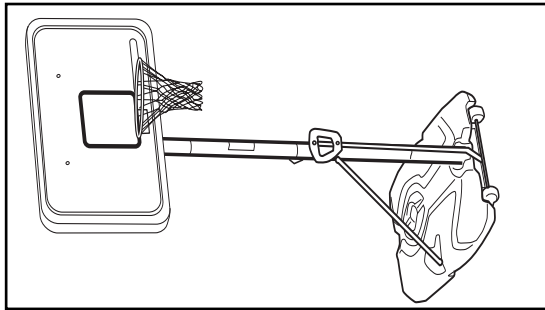
Aus Sicherheitsgründen sollte nicht versucht werden, dieses System ohne sorgfältige Beachtung der Anleitung zusammenzubauen. In ganzen Karton und alle Verpackungsmaterialien nach Teilen überprüfen. Vor Beginn der Montage die Anleitung durchlesen und die einzelnen Teile anhand des Teileschlüssels und der Teilleden in diesem Dokument bestimmen. Eine vorschriftsmäßige und vollständige Montage, Benutzung und Aufsicht sind für den richtigen Betrieb und zur Reduzierung des Unfall- oder Verletzungsrisikos absolut notwendig. Bei unsachgemäßer Installation und Instandhaltung und bei einem nicht ordnungsgemäßen Betrieb besteht eine hohe Wahrscheinlichkeit schwerer Verletzungen.

- Bei Gebrauch einer Leiter während des Zusammenbaus extrem vorsichtig vorgehen.
- Diese Arbeit sollte von zwei (2) Personen ausgeführt werden.
- Den Sockel regelmäßig auf Leckstellen untersuchen. Langsam austretende Flüssigkeiten können ein unerwartetes Umkippen des Systems verursachen.
- Die einzelnen Stangenteile richtig zusammenfügen (falls anwendbar). Andernfalls können sich die Stangenteile beim Spielbetrieb und/oder während des Transports des Systems voneinander lösen.
- Klimatische Bedingungen, Korrosion oder Fehlgelbrauch kann zu Systemdefekten führen.
- Die Mindestspielhöhe beträgt 1,98 m (6,6 Fuß) bis zum unteren Rand der Korbwand.
- Diese Vorrichtung ist nur für den Freizeitgebrauch zu Hause, NICHT aber für ein übermäßig wettkampftotes Spiel vorgesehen.
- Den an der Stange angebrachten Warmaufkleber gründlich lesen. Eine Abbildung dieses Aufklebers befindet sich auf Seite 10.
- Die Lebensdauer Ihrer Basketballstange hängt von zahlreichen äußeren Umständen ab. Klimabedingungen, Platzierung und Aufstellort der Stange, Angriffe durch korrodierende Substanzen wie Ungeziefer- und Pflanzenernährungsmittel oder Salz – all das sind wichtige Faktoren.
- Technische Unterstützung kann direkt von Huffly Sports angefordert werden.
- Höhenverstellungen sollten von Erwachsenen beaufsichtigt werden.

*Die meisten Verletzungen werden durch einen unvorschriftsmäßigen Gebrauch und/oder ein Missachten der Sicherheitshinweise verursacht. Beim Gebrauch dieser Vorrichtung Vorsicht walten lassen.*

Weitere Informationen über Zusammenbau, Aufstellung, richtige Verwendung und der Wartung sind von der Webseite des „American Basketball Council“ unter der Adresse <http://www.smarthoops.com> zu beziehen.

Die auf diesem Produkt reproduzierten Erkennungszeichen der NBA und der einzelnen NBA-Mitgliedschaften sind Warenzeichen und urheberrechtlich geschützte Designs und/oder andere Formen geistigen Eigentums der NBA Properties, Inc. und der jeweiligen NBA-Mitgliedschaften sind, und die wieder als Ganzes noch zum Teil ohne die schriftliche Einwilligung von NBA Properties, Inc., verwendet werden dürfen.



## HINWEIS AN DAS MONTAGEPERSONAL

ALLE Basketballsysteme von Huffly Sports, einschließlich der zu Demonstrationszwecken benutzten Systeme, müssen gemäß den Montageanleitungen zusammengebaut und mit Sand oder Wasser beschwert werden. Ein Mißachten dieser Anleitungen kann **SCHWERE VERLETZUNGEN** zur Folge haben. Zum Beschwern darf **NICHT** zu irgendetwaschen Notbehelfsmaßnahmen gegriffen werden.

## ZUR INSTALLATION ERFORDERLICHE WERKZEUGE:

- Zwei Personen
- Holzbrett (Ausschuß)
- Maßband
- Stufenleiter, 2,4 m (8 Fuß)
- Klebeband
- Gartenschlauch oder Sand (163 kg) (360 US-Pfd.)
- Hammer
- Schraubenschlüssel: (Zwei) 1/2 Zoll, (Ein), 9/16 oder verstellbare große und kleine
- Schraubenschlüssel (9/16-Zoll-Einsatz mit Verlängerung empfohlen)
- Sägebock oder Stützsch

## TRANSPORT DES SYSTEMS

1. Die Stange festhalten; zur selben Zeit das Basketballsystem nach vorne drehen, bis die Räder den Boden berühren.
2. Das Basketballsystem zum gewünschten Aufstellort fahren.
3. Das Basketballsystem vorsichtig in eine aufrechte Position drehen.
4. Die Bodensperre wieder anbringen, und eine Stabilitätsprüfung für das System durchführen.

## ! WARNUNG !

**EIN MISSACHTEN DIESER WARNUNG KANN ZU SCHWEREN VERLETZUNGEN UND/ODER SACHSCHÄDEN FÜHREN UND MACHT DIE GARANTIE UNWIRKSAM**

*Der Eigentümer muß sicherstellen, daß alle Spieler diese Regeln für einen sicheren Betrieb des Systems kennen und befolgen.*

- NICHT am Korband oder irgendeinem anderen Teil des Systems, einschl. Korband, Stützstreben oder Netz HÄNGEN.
- Während des Spielbetriebs, besonders bei Slam-Dunk-Manövern, müssen die Spieler ihr Gesicht von Korband, Korbrand und Netz fernhalten. Der Kontakt von Zähnen/Gesicht mit der Korbwand, dem Korband oder dem Netz kann schwere Verletzungen zur Folge haben.
- Nicht auf dem Sockel und/oder der Stange herumrutschen, klettern, daran ritteln oder damit spielen.
- Nach dem Zusammenbau das System ganz mit Wasser oder Sand füllen und im Boden verankern. Das System niemals in aufrechter Position stehen lassen, ohne den Sockel zu beschweren, da es andernfalls umkippen und Verletzungen verursachen kann.
- Beim Einstellen der Höhe oder beim Transport des Systems Hände und Finger von beweglichen Teilen fernhalten.
- Kindern sollte das Verschieben oder Einstellen des Systems nicht gestattet werden.
- Beim Spielen keinen Schmuck (Ringe, Armbänder, Halsketten usw.) tragen. Gegenstände dieser Art können sich im Netz verfangen.
- Die Oberfläche unter dem Sockel muß glatt und frei von Kies oder anderen scharfkantigen Gegenständen sein. Löcher können zu Lecks und so zu Material- und Stützschaden führen.
- Um sicherzustellen, daß das System stabil ist, sollten die Stützfüße, wenn möglich, Korrosion und/oder Abnutzungserscheinungen verursachen, werden sie regelmäßig mit einem geeigneten Mittel (z.B. Abblättern) unterzucht und mit Emaliauflage neu lackiert. Wenn sich Rost an irgendeiner Stelle durch den Stahl durchgefressen hat, ist die Stange sofort auszutauschen.
- Das System vor jeder Benutzung auf den richtigen Ballast, lose Befestigungsteile, übermäßige Abnutzungserscheinungen und Anzeichen von Korrosion untersuchen; vor jedem Einsatz entsprechende Korrekturmaßnahmen bzw. Reparaturen durchführen.
- Die Stabilität des System vor jedem Gebrauch überprüfen.
- Das System nicht bei windigen und/oder unwirtlichen Witterungsverhältnissen benutzen, da es unter diesen Umständen umkippen kann. Das System in die Lagerposition versetzen und/oder in einen verschützten Bereich bringen, an dem es keine Sachschäden verursachen kann bzw. wo keine Oberleitungen vorhanden sind.
- Niemals an bzw. mit einer beschädigten Ausrüstung spielen.
- Die ordnungsgemäße Installation und Wartung ist dem Gebrauchshandbuch zu entnehmen.
- Beim Transport des Systems darauf achten, daß sich der Mechanismus nicht verschiebt.
- Das obere Stangenelement muß jederzeit mit einer Kappe abgedeckt sein. Das Wasser im Tank darf keinesfalls gefrieren. Bei Temperaturen unter dem Nullpunkt ungefülltes Gefriereschutzmittel oder Sand hinzufügen oder dem Tank völlig entleeren und lagern. (Kein Salz verwenden.)
- Beim Ausstellen des Systems auf einer geneigten Fläche mit großer Vorsicht vorgehen. Das System kann unter diesen Umständen leichter umkippen.

TUFF STUFF® und die damit verbundenen Warenzeichen sind Eigentum von Mattel, Inc., und werden mit deren Genehmigung verwendet. Huffly-Produkte werden von Mattel oder deren verbundene oder Tochtergesellschaften in keiner Weise gesponsort, unterstützt oder autorisiert.

1. Den Tank von unten völlig entleeren. Die Radachse (2) wie gezeigt durch das Radlaufwerk (54) schieben und die Räder (3) mit Abstandsstücken (55) auf die Radachse (2) schieben. Die Radhalterung wie gezeigt befestigen. Dazu wird ein tiefer Steckschlüsseinsatz empfohlen. **WICHTIG!** Nicht zu fest anziehen.
2. Jedes Stangenteil richtig identifizieren und den angegebenen Abstand von beiden Enden wie gezeigt mit Klebeband markieren.
3. Das obere und mittlere Stangenteil wie gezeigt anhand der Ausrichtungsmarkierung und des Ausrichtungsloches aufeinander ausrichten.  
**WICHTIG!** Die Löcher im oberen (4) und mittleren (5) Stangenteil **MÜSSEN** miteinander zur Deckung kommen, damit das Verlängerungssystem richtig zur Spielfläche hin positioniert werden kann.  
Das obere (4) und mittlere Stangenteil (5) wie gezeigt zusammenstauchen, bis sie sich nicht mehr auf die mit Klebeband markierte Stelle zu bewegen. **HINWEIS:** Die Stangenteile müssen einander um mindestens 9 cm (3 ½ Zoll) überlappen.
4. **WICHTIG!** Die Löcher im oberen (4) und unteren (6) Stangenteil **MÜSSEN** miteinander zur Deckung kommen, damit das Verlängerungssystem richtig zur Spielfläche hin positioniert werden kann. Das untere Stangenteil (6) wie gezeigt anhand der Ausrichtungsmarkierung und des Ausrichtungsloches an dieser Baugruppe befestigen und alle Teile zusammenstauchen, bis sie fest ineinander stecken. Nach dem Zusammenbau können die einzelnen Stangenteile **NICHT** mehr voneinander getrennt werden. **HINWEIS:** Die Stangenteile müssen einander um mindestens 9 cm (3 ½ Zoll) überlappen.
5. Die Stange (7) durch die Löcher im unteren Stangenteil (6) und die Einschrauböse (8) stecken.
6. Den Stangenaufbau wie gezeigt in die Tankbaugruppe stecken. Den Stangenaufbau mit der oberen Drehhalterung (9) und der Gegenmutter (10) sichern.
7. Die Sockelverstrebrungen (11) mit Schraube (12), Unterlegscheiben (13) und Mutter (14) wie gezeigt an der Stange befestigen. Die Vinyl-Schraubenabdeckung (36) auf die freiliegenden Schrauben-Gewindeenden drücken. Die ungesicherten Enden der Sockelverstrebrungen (11) wie gezeigt drehen.
8. Die Sockelverstrebrungen (11) mit Schraube (16), Unterlegscheiben (13) und Mutter (17) am Sockel befestigen (17).
9. Schlossschrauben (18) wie gezeigt in die mittlere Lochgruppe an der Radhalterung (19) einsetzen.
10. Die untere Drehhalterung (20) wie gezeigt mit Schrauben (21), Unterlegscheiben (13), Scheibe (22) und Mutter (10) an der Radhalterung (19) befestigen.
11. Die Griffstange (23) wie gezeigt mit Muttern (17) am Radhalterungsaufbau befestigen.
12. Die Räder (3) wie gezeigt mit Druckkappen (25) an der Achse (24) und dem Radhalterungsaufbau (25) befestigen.
13. Den Radhalterungsaufbau wie gezeigt mit Schraube (26), Unterlegscheiben (13) und Mutter (10) am Sockel befestigen.
14. **HINWEIS:** Diese Arbeit sollte von zwei (2) Personen ausgeführt werden. Den gesamten Aufbau wie gezeigt vorsichtig wieder in eine aufrechte Lage bringen.  
Das vordere Ende des Plastikgriffs (27) wie gezeigt mit Schneidschrauben (45) um die Griffstange (23) herum am hinteren Ende des Plastikgriffs befestigen.  
**WICHTIG!** Der Vorderteil des Plastikgriffs (27) muss nach außen, also vom Stangenaufbau weg weisen.
15. Die Schrauben (30) wie gezeigt durch die Plastikgriffbaugruppe und die Griffstange stecken und die Muttern (17) aufschrauben. Fest anziehen.
16. **WICHTIG!** Die Schrauben zur Probe in die Bohrungen der Korbwandklammern (38) stecken und sie vorsichtig in einer Kreisbewegung hin- und herbewegen, um eventuelle Farbrückstände aus den Bohrungen zu entfernen.  
Das Abstandsstück (39) in die Klinke (40) einpassen. Dann wie gezeigt mit dem Zusammenbau fortfahren. Fest anziehen.
17. Die Verlängerungsrohre (43) wie gezeigt an den Ratschenteilen befestigen. Fest anziehen. **WICHTIG!** Dieser Mechanismus funktioniert nur dann sicher und ordnungsgemäß, wenn alle Teile vorschriftsmäßig eingebaut wurden.
18. Die Klinke (40) wie gezeigt mit dem Lastösenbolzen (48) in der Einbauposition sichern.
19. Die Feder (56) mit einer Zange in die benötigte Position strecken. **WARNUNG: BEIM ANBRINGEN DER FEDERN AUGENSCHUTZ TRAGEN!**
20. **WARNUNG: DIESER VERFAHRENSSCHRITT SOLLTE VON MINDESTENS ZWEI PERSONEN AUSGEFÜHRT WERDEN.** Ein Missachten dieser Empfehlung kann Verletzungen zur Folge haben. Korbbrand und Klammer an der Korbwand befestigen; dabei müssen die Muttern (17) bündig mit der Korbwandklammer (38) abschließen. Die oberen Hälften der Korbwandklammern zurechtbiegen, damit diese auf die Löcher in der Korbwand ausgerichtet sind, und festziehen. Fest anziehen. **HINWEIS:** Befestigungsmuttern und Schrauben sind in den Befestigungsteilen des Korbbrands enthalten.
21. Die Verlängerungsrohre (43) wie gezeigt an der Korbwandklammer befestigen.
22. **WARNUNG: DIESER VERFAHRENSSCHRITT SOLLTE VON MINDESTENS ZWEI PERSONEN AUSGEFÜHRT WERDEN.** Ein Missachten dieser Empfehlung kann Verletzungen zur Folge haben. Die Stange auf einen Sägebock legen. Die Korbwandbaugruppe wie gezeigt am oberen Stangenteil (4) befestigen.  
Dann die Stangenkappe (37) aufsetzen. **HINWEIS:** Diese Arbeit sollte von zwei Personen ausgeführt werden. Vorsicht: Die Verlängerungsvorrichtung ist schwer.
23. **WARNUNG: Die ZUSAMMENGEBAUTE EINHEIT im leeren Zustand nicht unbeaufsichtigt lassen, DA SIE UMKIPPEN KANN.** **HINWEIS:** Dieses Verfahren sollte von zwei Personen ausgeführt werden. Den fertigen Aufbau an den gewünschten Spielort rollen. Den T-Riemens (15) wie gezeigt durch den Schlitz an der Rückseite des Sockels schieben. Die Einheit durch Hineindrehen des Bodenverankerungspfahls (49) in den Boden und Einhaken des T-Riemens (15) in den Bodenverankerungspfahl (49) sichern. Den Tank mit 125 l (33 US-Gallonen) Wasser füllen.  
**WICHTIG!** Den Tank mit 7,6 l (2 US-Gallonen) eines ungiftigen Gefrierschutzmittels füllen, um ein Gefrieren in Klimazonen mit Frosttemperaturen zu verhindern.
24. Höheneinstell- und Transportaufkleber (51) wie gezeigt an der Vorderseite der Stange anbringen. Der Korbbrand wird den offiziellen Regeln gemäß in einer Höhe von 3,05 m (10 Fuß) angebracht.  
**WARNUNG: Kindern darf das Verstellen der Höhe nicht gestattet werden.**  
**WARNUNG: EIN GEBRAUCH DIESES PRODUKTS OHNE ORDNUNGSGEMÄSS ANGEBRACHTE BZW. MIT FEHLENDEN SMART CLIPS KANN VERLETZUNGEN ZUR FOLGE HABEN. DIE ANLEITUNG UNBEDINGT SORGFÄLTIG BEACHTEN.**
25. Die Netzhalteklammern wie gezeigt anbringen. (Siehe Abbildung)
26. Das Netz wie gezeigt anbringen. (Siehe Abbildung)



Artikel	Menge	Teilenummer	Beschreibung
1	1	206615	Tank (schwarz)
2	1	200628	Radachse, 11-3/4 Länge
3	4	226401	Rad, 4 Zoll (schwarz)
4	1	900007	Oberes Stangenteil
5	1	908480	Mittleres Stangenteil
6	1	900240	Unteres Stangenteil
7	1	202820	Stange, 3/8 AD x 4-3/4 Länge
8	1	206934	Einschrauböse, 3/8-16 x 2 1/2 Länge
9	1	206949	Obere Drehhalterung
10	3*	203063	Nylon-Einschraubgegenmutter, 3/8-16
11	2	906206	Verstrebung, 1 Zoll AD x 31-1/4 Länge
12	1	201625	Sechskantkopfschraube, Gelb Dichromate, 5/16-18 x 3,60 Länge
13	12*	203218	Flache Unterlegscheibe, 3/8 ID
14	2	203220	Nylon-Einschraubgegenmutter, 5/16-18
15	1	201568	Verankerung, T-Riemen
16	2	203798	Sechskant-Flanschschraube, 5/16-18 x 1-1/2
17	14	203100	Sechskant-Flanschmutter, 5/16-18
18	2	203103	Schlossschraube, 5/16-18 x 2 Länge
19	1	900223	Radhalterung
20	1	206948	Untere Drehhalterung
21	2	206252	Sechskantkopfschraube, 3/8-16 x 1 Länge
22	1	206956	Scheibe, 5 Zoll AD x 13/32 ID, Plastik
23	1	906606	Griffstange
24	1	206940	Achse, 21 Zoll Länge
25	2	206938	Druckkappe
26	1	203330	Sechskantkopfschraube, 3/8-16 x 4-1/2 Länge
27	1	206604	Plastikgriff, vorne
28	1	206605	Plastikgriff, hinten
29	2	203038	Schlossschraube, 5/16-18 x 2-3/4 Länge
30	2	203217	Schlossschraube, 5/16-18 x 1-1/2 Länge
31	12	201219	Smart Clip, Netzhalteklammer
32	1		Korbrand
33	1	206360	Sechskantkopfschraube, 3/8-16 x 1 Länge
34	3	201124	Mutter, 3/8-16
35	5	206304	Schraube, 1/2-13 x 6-5/16 Länge
36	1	200516	Vinyl-Schraubenabdeckung, 5/16
37	1	202814	Stangenendkappe
38	2	900846	Korbwandklammer, (schwarz)
39	2	201129	Abstandsstück, 1-3/4 Länge
40	1	201160	Sperrhebel
41	1	240017	Sechskantkopfschraube, 1/4-20 x 2-1/4 Länge
42	1	203493	Sechskant-Gegenmutter, 1/4-20
43	4	804808	Verlängerungsrohr (schwarz)
44	4	206311	Abstandsstück, Plastik
45	4	204804	Kreuzschlitzschraube, 3/4 Länge
46	1	201159	Ratsche
47	5*	206340	Sechskant-Gegenmutter, 1/2-13
48	1	206305	Lastösenbolzen, 1/4 x 2-9/32 Länge
49	1	203124	Bodenverankerungspfahl
50	2	203617	Verschlusskappe
51	1	201268	Höheneinstell- und Transportaufkleber
52	1		Netz
53	2	206303	Unterlegscheibe, 1/4 x 9/32 ID
54	1	200627	Radlaufwerk
55	4	201651	Abstandsstück, Plastik, Radachse
56	1	201125	Ratschenrückholfeder

## Free Manuals Download Website

<http://myh66.com>

<http://usermanuals.us>

<http://www.somanuals.com>

<http://www.4manuals.cc>

<http://www.manual-lib.com>

<http://www.404manual.com>

<http://www.luxmanual.com>

<http://aubethermostatmanual.com>

Golf course search by state

<http://golfingnear.com>

Email search by domain

<http://emailbydomain.com>

Auto manuals search

<http://auto.somanuals.com>

TV manuals search

<http://tv.somanuals.com>