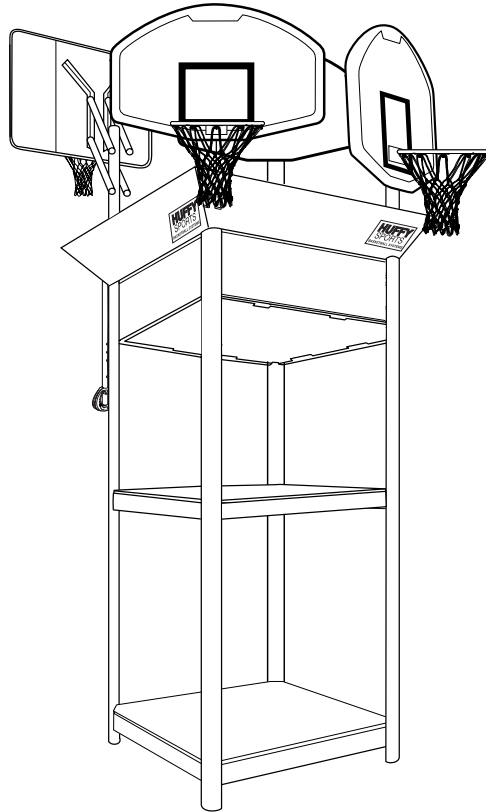


HUFFY[®]SPORTS

Display System Owners Manual

Customer Service Center

• N53 W24700 South Corporate Circle • Sussex, WI 53089 • U.S.A.



**Models
89225
&
89226**



! WARNING!

**READ AND UNDERSTAND
OPERATOR'S MANUAL
BEFORE USING THIS UNIT.**

**FAILURE TO FOLLOW
OPERATING INSTRUCTIONS
COULD RESULT IN INJURY
OR DAMAGE TO PROPERTY.**

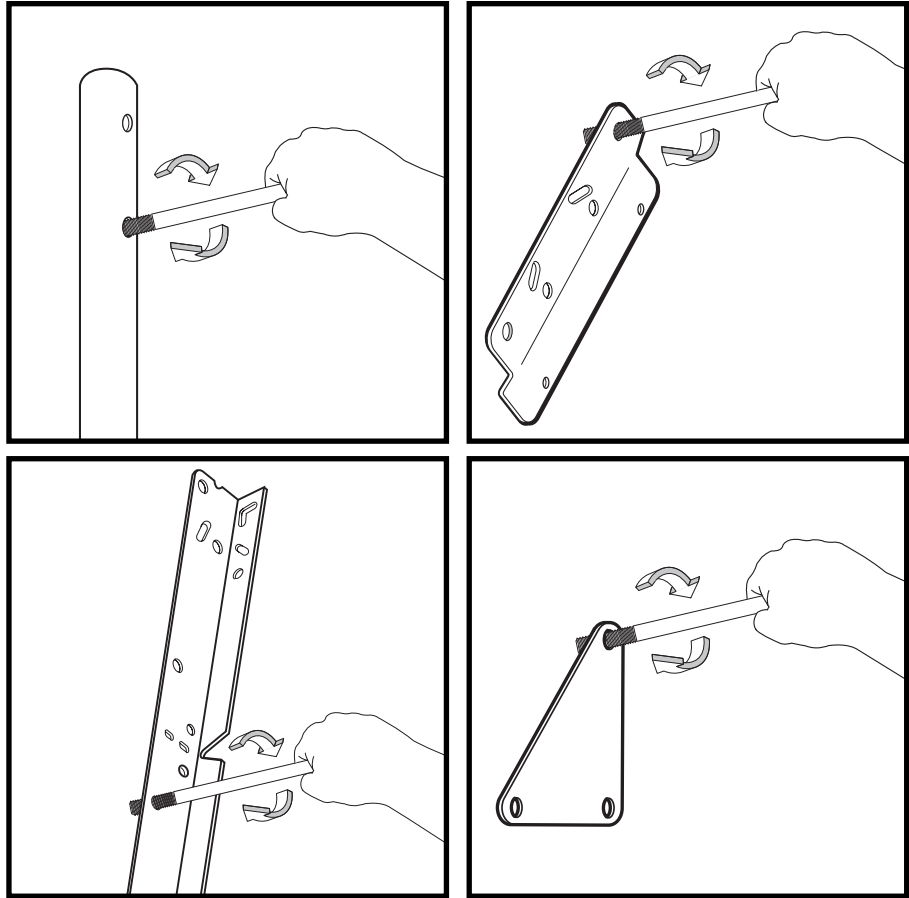
REQUIRED TOOLS AND MATERIALS:

- 2 People
- Wrenches: (Two each) 7/16", 1/2", 9/16", and 3/4" or Pliers
- Phillips Screwdriver
- 2 Step Ladders, 8 ft. (2.4 m)

IMPORTANT!

To ensure prompt and correct handling of any problems, or to answer any questions, please contact the Sample and Display Technician at 1-800-558-5234.

BEFORE YOU START!



To ensure optimal playability of backboard system, a close tolerance fit between the elevator components and hardware is required. Test fit large bolts into large holes of elevator tubes, backboard brackets and triangle plates. Carefully rock them in a circular motion to ream out any excess paint from holes if necessary.

AVANT DE COMMENCER !

Pour garantir l'utilisation optimale du panneau, les composants du système élévateur et la visserie doivent être bien ajustés (serrés). À titre d'essai, insérez les gros boulons dans les gros trous des tubes du système élévateur, des supports du panneau et des plaques triangulaires. Basculez-les avec précaution en imprimant un mouvement circulaire pour éliminer l'excédent de peinture, si nécessaire.

¡ANTES DE COMENZAR!

Para asegurar el óptimo rendimiento del sistema del respaldo en el juego, se requiere un ajuste de tolerancia estrecha entre los componentes del elevador y el herraje. Pruebe el ajuste de los pernos grandes en los orificios grandes de los tubos elevadores, soportes del respaldo y placas triangulares. Cuidadosamente muévalos en círculos para eliminar cualquier exceso de pintura, si es necesario.

VORBEREITENDE MASSNAHMEN

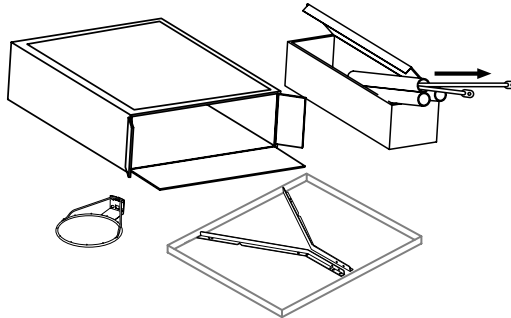
Um sicherzustellen, dass das Korbwandssystem optimal für den Spielbetrieb geeignet ist, müssen die Komponenten der Verlängerungsvorrichtung und die verschiedenen Befestigungsteile fest miteinander verschraubt werden. Große Schrauben zur Probe in die großen Löcher der Verlängerungsröhre, Korbwandklammern und Dreiecksplatte stecken und diese vorsichtig in einer Kreisbewegung hin- und herbewegen, um eventuelle Farbrückstände aus den Bohrungen zu entfernen.

NOTICE TO ASSEMBLERS

ALL Huffy Sports Basketball Systems, including those used for DISPLAYS, MUST be assembled and ballasted with sand or water according to the instructions. Failure to follow instructions could result in **SERIOUS INJURY**. It is **NOT** acceptable to devise a makeshift weight system.

IMPORTANT!

Remove all contents from boxes.
Be sure to check inside pole sections;
hardware and additional parts are packed inside.



! SAFETY INSTRUCTIONS !

**FAILURE TO FOLLOW THESE SAFETY INSTRUCTIONS MAY
RESULT IN SERIOUS INJURY,
PROPERTY DAMAGE AND WILL VOID WARRANTY.**

***This unit is intended for display purposes only and
should not be used for play.***

To ensure safety, do not attempt to assemble this system without following the instructions carefully. Check entire box and inside all packing material for parts. Before beginning assembly, read the instructions and identify parts in this document. Proper and complete assembly, use and supervision is essential for proper operation and to reduce the risk of accident or injury. A high probability of serious injury exists if this system is not installed, maintained, and operated properly.

- During assembly, if using a ladder use extreme caution. Two people are recommended for this operation.
- If technical assistance is required, contact Huffy Sports' Sample and Display Technician.
- Serious injury could occur if teeth/face come in contact with backboard, net or rim.
- Display recommended for 3" (7.6 cm) or 3-1/2" (9 cm) Round or 4" (10 cm) Square poles only.
- All instructions and warnings **MUST** accompany any display item that is sold.

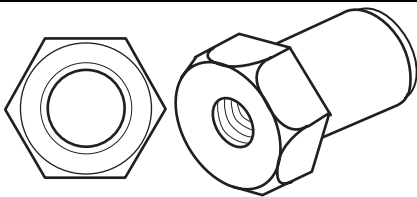
*Most injuries are caused by misuse and/or not following
instructions.*

Use caution when installing this unit.

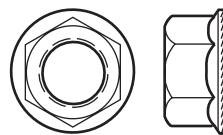
PARTS LIST (See Hardware Identifier)

| <u>Item</u> | <u>Qty.</u> | <u>Part No.</u> | <u>Description</u> | <u>Item</u> | <u>Qty.</u> | <u>Part No.</u> | <u>Description</u> |
|-------------|-------------|-----------------|-------------------------------------|-------------|-------------|-----------------|---|
| 1 | 2 | 900033 | Back Bracket | 35 | 2 | 203795 | Nut, Slam Jam |
| 2 | 2 | 203796 | T-Bolt, 3/8-16 x 5 | 36 | 1 | 201125 | Spring, Rathet return |
| 3 | 2 | 200318 | Bracket | 37 | 2 | 900103 | Bracket, Backboard Support |
| 4 | 2 | 203472 | Spring | 38 | 2 | 200874 | Spacer, Steel .402 I.D.x.50 O.D.x1.5 Long |
| 5 | 2 | 201651 | Spacer, .50 I.D. x .25 Long | 39 | 6* | 205528 | Bolt, Hex Flange, 5/16-18 x 1 Long |
| 6 | 2 | 206303 | Washer, 1/4" Flat | 40 | 4 | 201642 | Spacer .530 I.D. x.63 O.D. x .875 Long |
| 7 | 8* | 203113 | Bolt, Hex-Flange 5/16-18 x 2.5 | 41 | 2 | 206219 | Pole Cap |
| 8 | 21 | 203100 | Nut, Hex-Flange 5/16-18 whiz Lock | 42 | 10 | 206340 | Lock Nut, Hex Head, 1/2-13 |
| 9 | 48 | 201219 | Clip, Smart Clips | 43 | 1 | 202814 | Cap, Pole Top |
| 10 | 1 | 990062 | Pole, 3-1/2" | 44 | 3 | 203038 | Bolt, Carriage 5/16-18 X 2-3/4 |
| 11 | 1 | 904847 | Pole, Display, 3" O.D. x 43" Long | 45 | 1 | 204855 | Handle, Left |
| 12 | 3 | 206987 | Wedge | 46 | 1 | 204856 | Handle, Right |
| 13 | 2 | 203798 | Bolt, Hex 5/16-18 x 1.5" Long | 47 | 1 | 904833 | Height Adjustment Rod |
| 14 | 1 | 900217 | Pole, Display | 48 | 1 | 204872 | Label, Height Indicator |
| 15 | 2 | 201129 | Spacer, 1-3/4" Long | 49 | 1 | 204832 | Bracket, Pole Mount |
| 16 | 2 | 203231 | Bolt, Carriage, 5/16-18 x 3.5" Long | 50 | 1 | 900060 | Pole, Display |
| 17 | 5 | 201124 | Lock Nut, Hex Head, 3/8-16 | 51 | 2 | 204857 | Spacer, Metal 1/2" O.D.x1.44 Long |
| 18 | 1 | 240017 | Bolt, Hex Head 1/4-20 x 2 1/4 | 52 | 2 | 204858 | Spacer, Biscuit, Plastic |
| 19 | 1 | 201160 | Pawl Lever | 53 | 1 | 900253 | Backboard Mounting Bracket |
| 20 | 5 | 206304 | Bolt, Hex Head 1/2-13 x 6 5/16 | 54 | 2 | 204859 | Cover, Pin Slide |
| 21 | 6 | 904808 | Elevator Tube, Black | 55 | 1 | 204850 | Pin, Locking |
| 22 | 2 | 203470 | Washer, Flat, Slam Jam | 56 | 4 | 204290 | Net |
| 23 | 2 | 900846 | Board Bracket, Black | 57 | 1 | 204853 | Lanyard, Black |
| 24 | 5 | 206360 | Bolt, Hex Head 3/8-16 x 2 5/8 | 58 | 4 | 900235 | Rim |
| 25 | 2 | 203103 | Carriage Bolt | 59 | 6 | 201683 | Spacer, 1.5" Long |
| 26 | 1 | 204803 | Screw Phillips Head | 60 | 1 | 203084 | Bolt, Carriage, 5/16-18 x 1.75" |
| 27 | 5 | 206244 | Bolt, Hex Head 1/2-13 x 8" Long | 61 | 1 | 902319 | Rim Bracket |
| 28 | 1 | 201159 | Ratchet | 62 | 3 | 201344 | Plastic Knob |
| 29 | 2 | 904820 | Elevator Tube, Black, Long | 63 | 2 | 203231 | Bolt, Carriage, 5/16-18 x 3.5" Long |
| 30 | 4 | 203232 | Washer, Flat | 64 | 1 | 203493 | Lockut,Hex,1/4-20 |
| 31 | 1 | 206305 | PIN,CLEVIS | 65 | 4 | 201611 | Nut, Hex-Flange 5/16 x 3" Long |
| 32 | 1 | 901097 | Extension Arm | 66 | 1 | 207103 | Pole Cap, 3-1/2" |
| 33 | 12 | 203309 | Washer 1" O.D. | 67 | 2 | 201682 | Spacer, Plastic, 1.88" Long |
| 34 | 4 | 200516 | Cover, Bolt End | | | | |

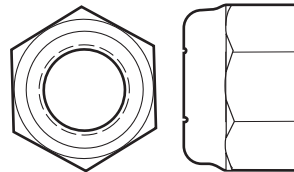
HARDWARE IDENTIFIER (NUTS & SCREWS)



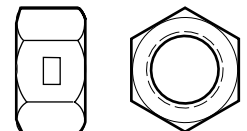
Item #35 (2)



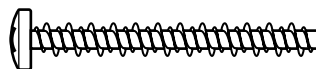
Item #8 (21)



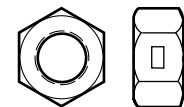
Item #42 (10)



Item #17 (5)



Item #26 (1)

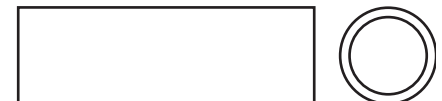


Item #64 (1)

HARDWARE IDENTIFIER (STEEL SPACERS)

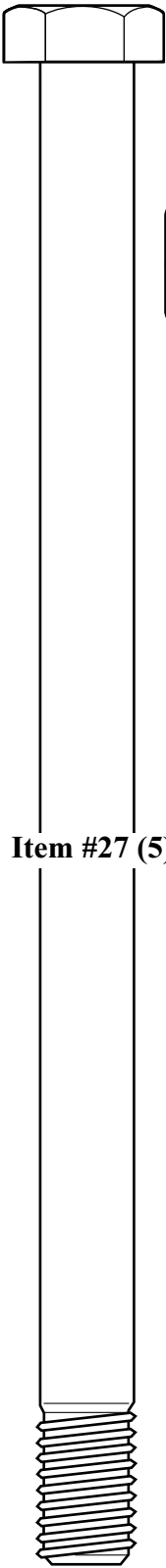


Item #15 (2)

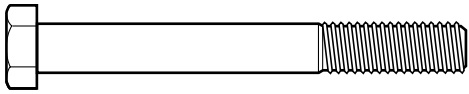


Item #38 (2)

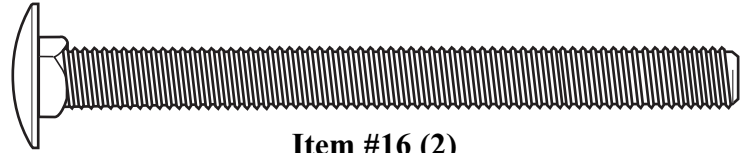
HARDWARE IDENTIFIER (BOLTS & SCREWS)



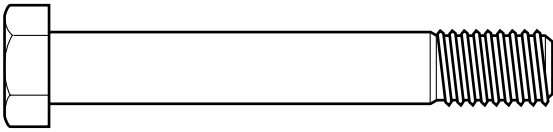
Item #27 (5)



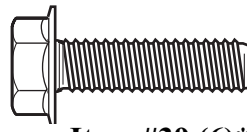
Item #18 (1)



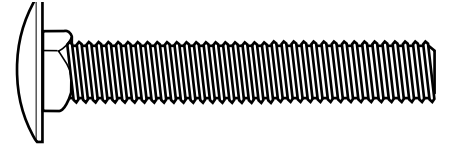
Item #16 (2)



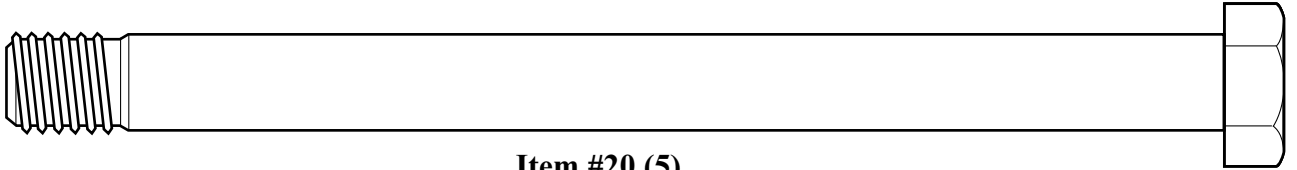
Item #24 (5)



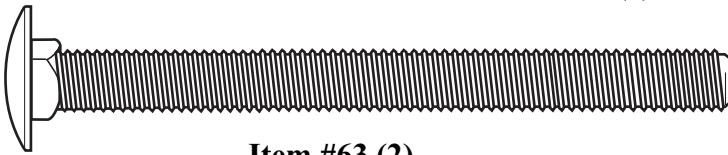
Item #39 (6)*



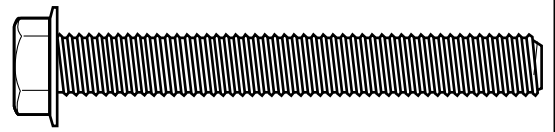
Item #25 (2)



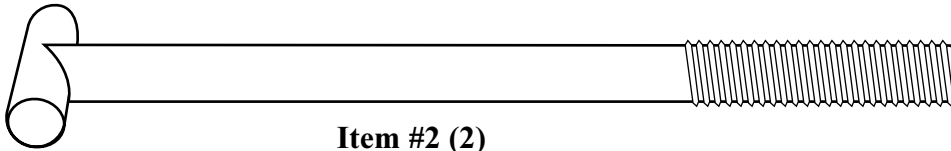
Item #20 (5)



Item #63 (2)



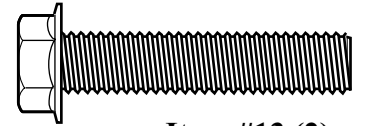
Item #7 (10)



Item #2 (2)

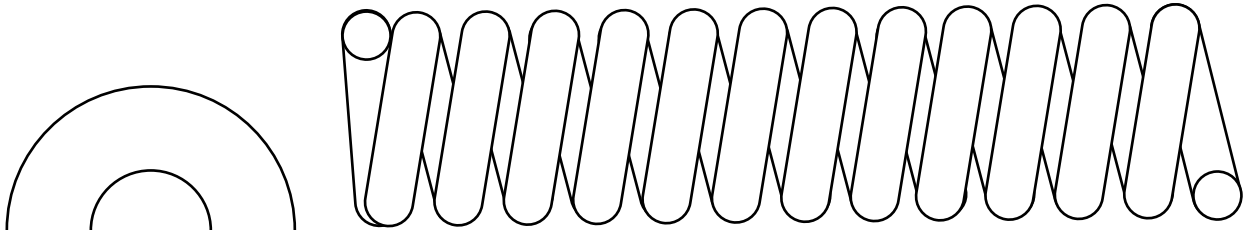


Item #65 (4)

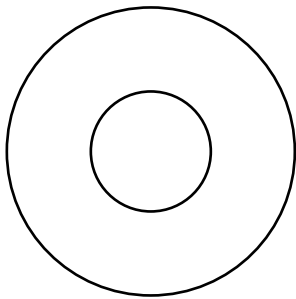


Item #13 (2)

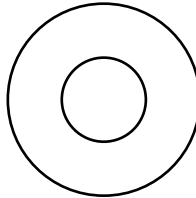
HARDWARE IDENTIFIER (SPRINGS & WASHERS)



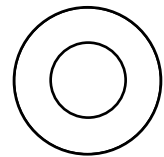
Item #4 (2)



Item #22 (2)

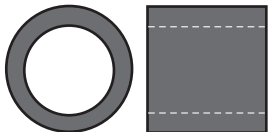


Item #33 (12)



Item #30 (4)

PLASTIC SPACERS



Item #40 (4)

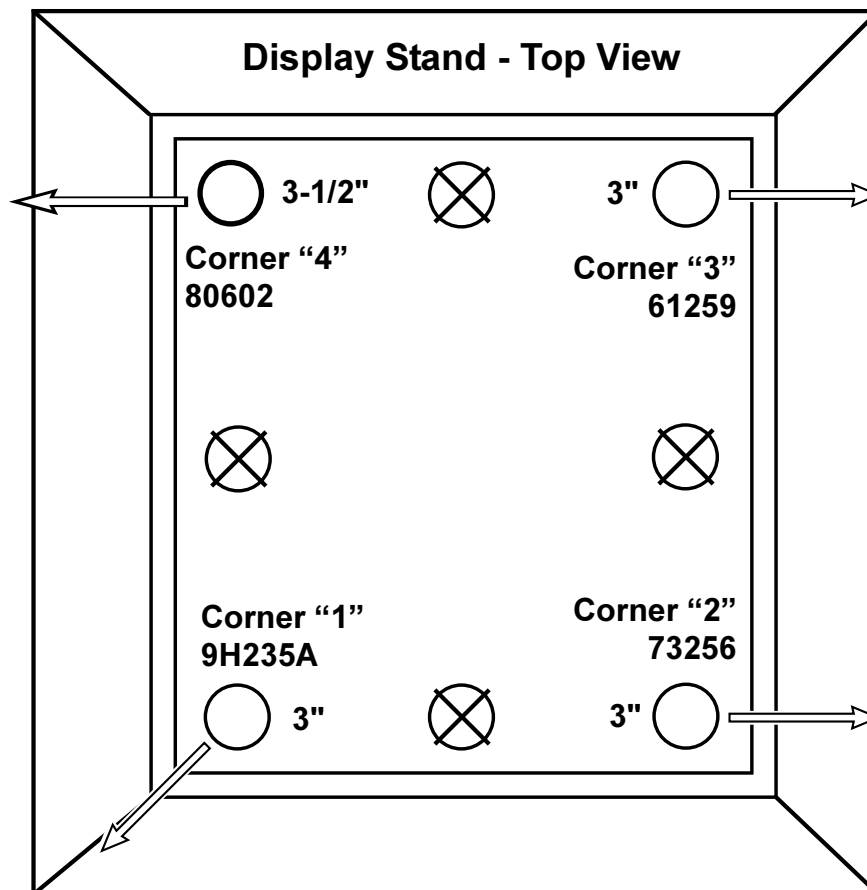


Item #59 (6)



Item #67 (2)

Install display boards in the marked locations. Each mounting location consists of a mounting pole stub with the following dimensions: Height = 8", O.D. = 3 3/8", I.D. = 3 1/8" (arrows indicate direction the board is facing).



Display boards will be mounted as follows:

Corner Location 1: 9H235A

- 48" SFA Board
- Titanium II Logo
- Black Slam Jam Goal with Cover
- Exacta- Height Elevator System (use existing elevator system)

Corner Location 2: 73256

- 48" Fan Recycled Board
- Viper Logo
- Black Slam Jam Goal
- Ratchet Elevator System

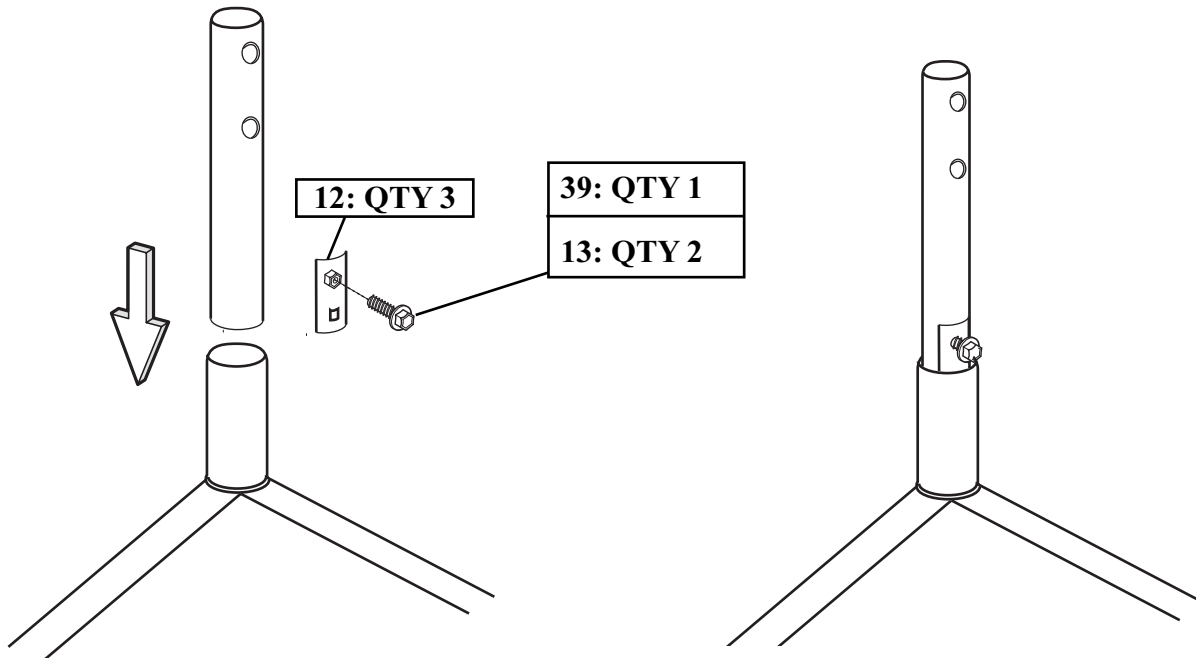
Corner Location 3: 61259

- 44" Fan Recycled Board
- Evolution Logo
- Black Standard Goal
- No Tools, E3 Elevator System

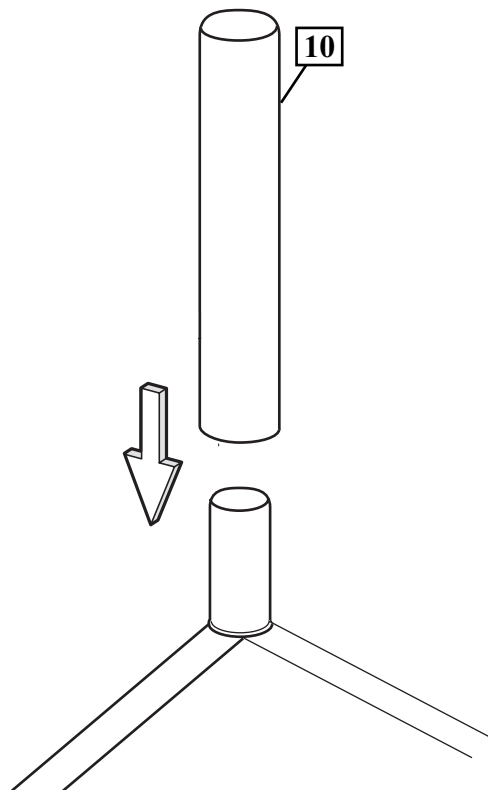
Corner Location 4: 80602

- 44" Fan Recycled Board
- Zone Attack Logo
- Black Standard Goal
- Extension Arm (use existing extension arm assembly)

- 1.** At corner locations 1, 2, and 3 install the display pole to the mounting pole stub. If required, secure the display pole by sliding the display wedge (12) into position as shown. To lock the display pole in place, tighten the set screw (13 or 39).

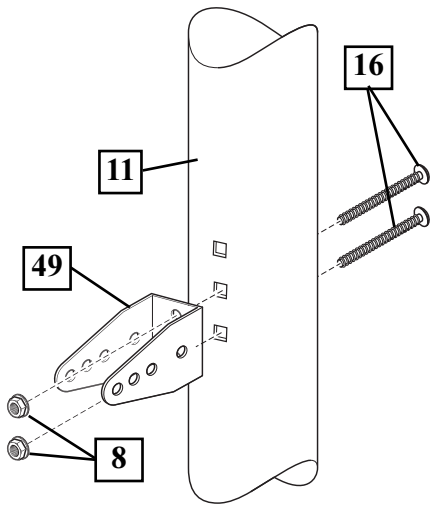


- 2.** At corner location 4 slide the display pole (14) (3 1/2" diameter) over the mounting pole stubs.

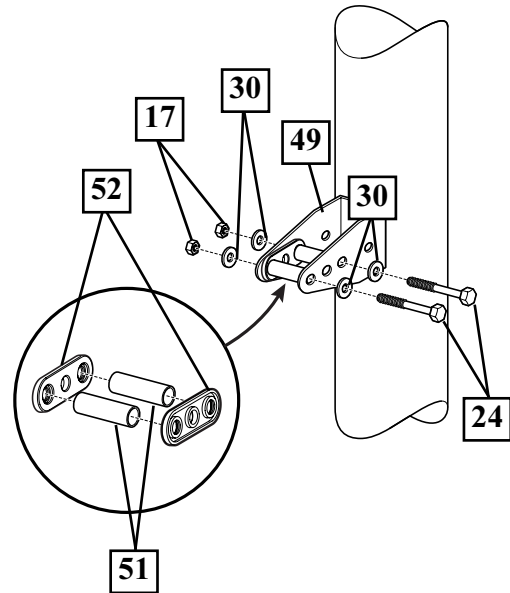


ELEVATOR ASSEMBLY - Corner Location 1

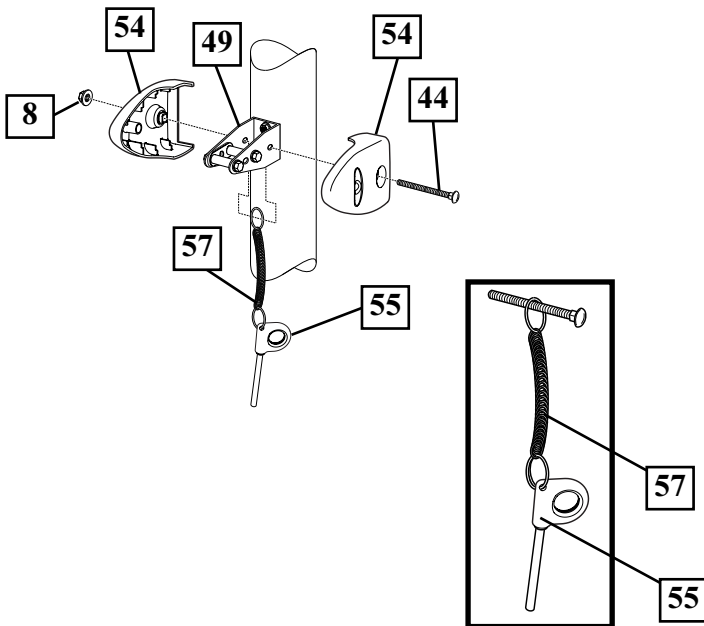
1. Install pole mount bracket (49) with carriage bolts (16) as shown. Tighten flange nuts (8) completely.



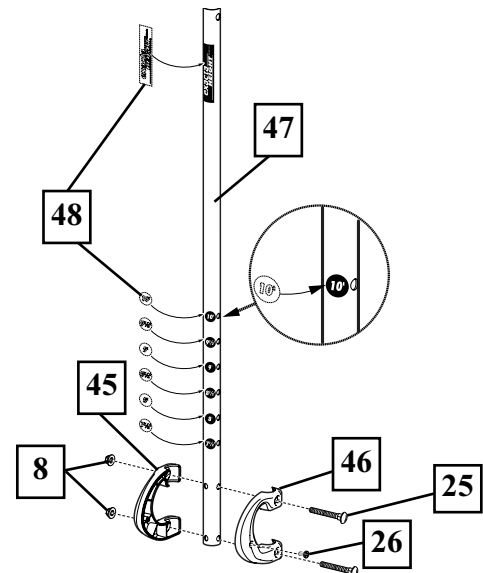
2. Attach spacers (51, 52) to pole mount bracket (49) with bolts (24), washers (30), and nuts (17) as shown. **IMPORTANT! Tighten until washers (30) no longer move.**



3. Attach covers (54) onto pole mount bracket (49) with carriage bolt (44) and nut (8) as shown. **IMPORTANT! Loop end of pin lanyard (57) over carriage bolt (44) during this assembly. NOTE: Assemble lanyard (57) to locking pin (55) as shown.**

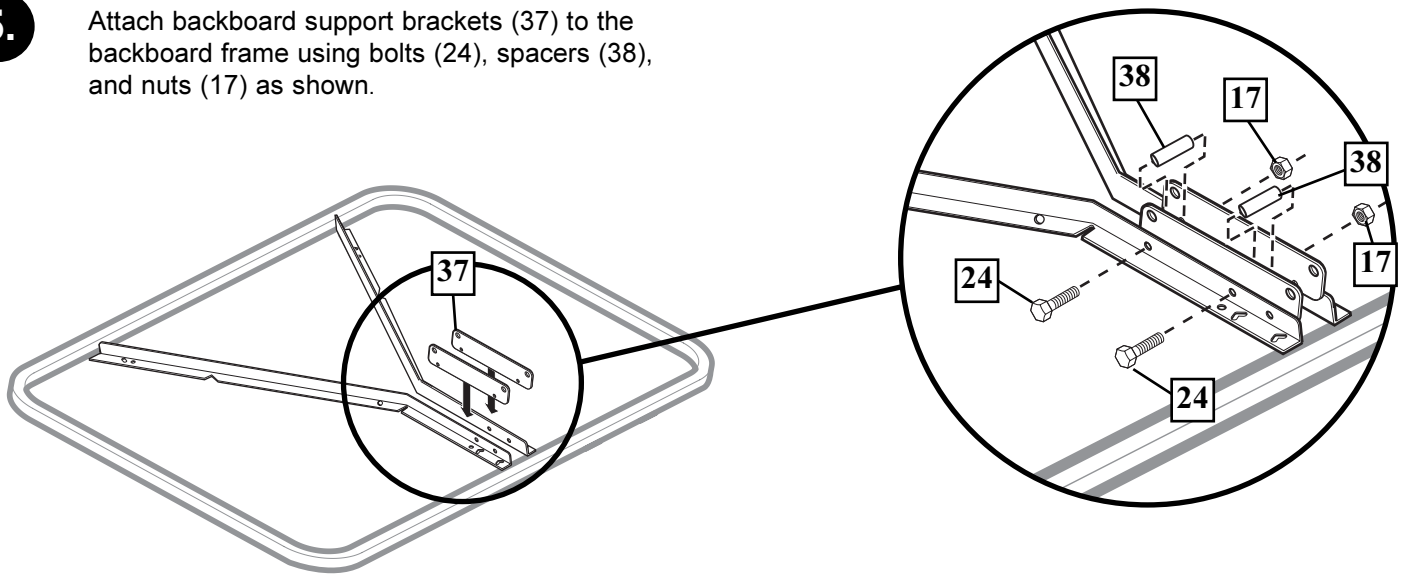


4. Apply logo and height indicator labels (48) to adjustment rod (47) as shown. Attach handle parts (45, 46) to adjustment rod (47) with screw (26), carriage bolts (25), and flange nuts (8) as shown. **NOTE: Holes in adjustment rod allow for either rear access or side access.**

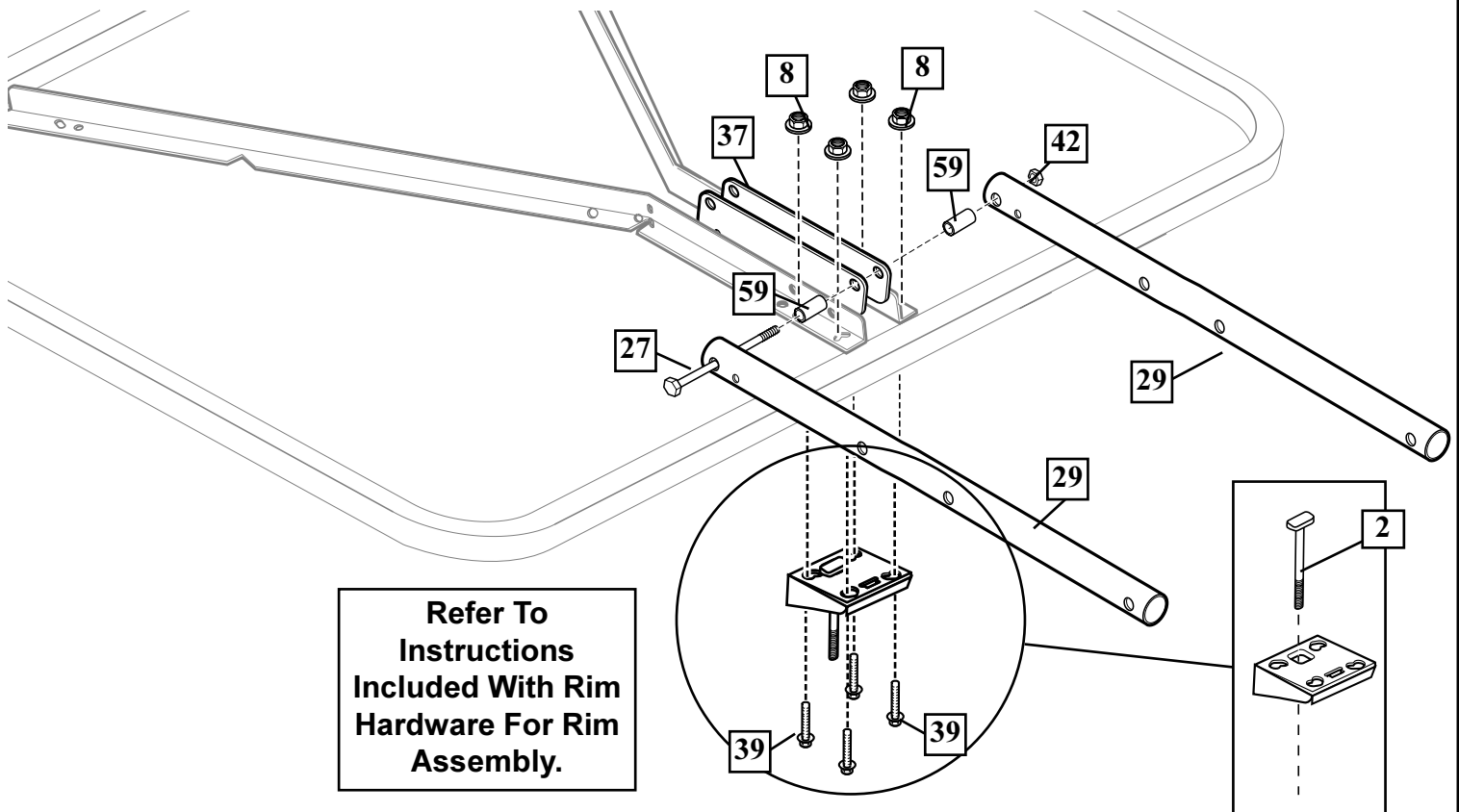


STEEL FRAME ACRYLIC BACKBOARD ASSEMBLY - Corner Location 1

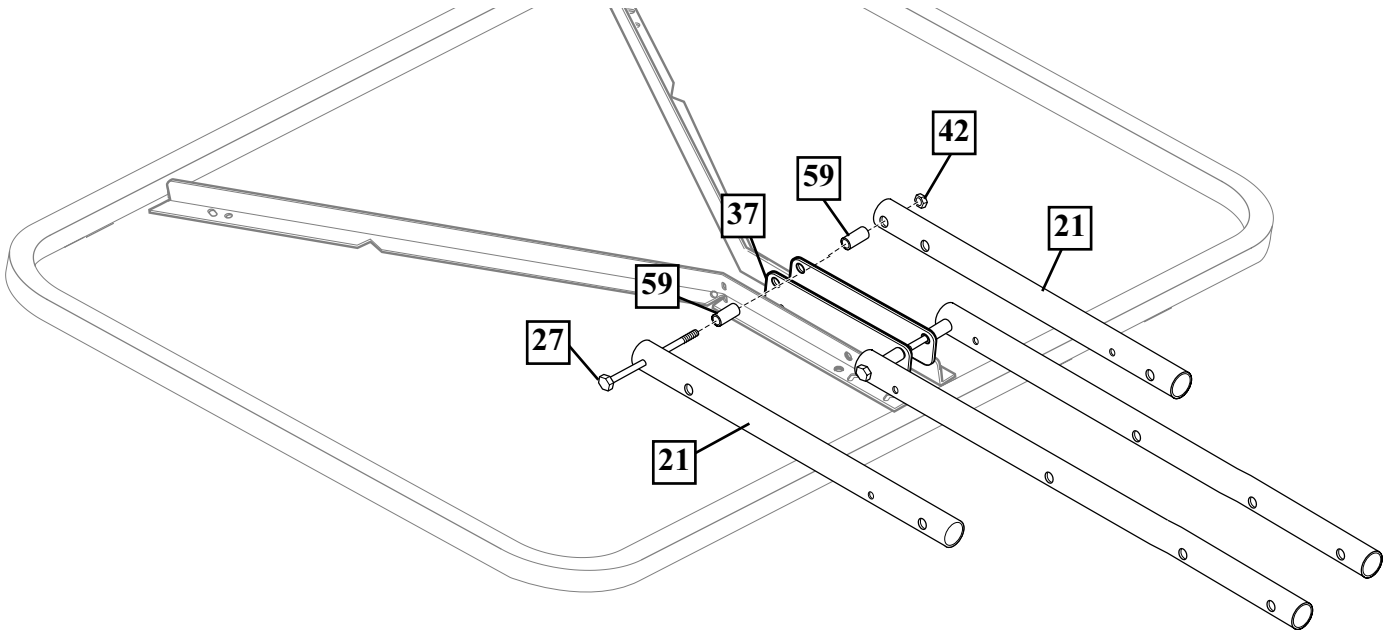
- 5.** Attach backboard support brackets (37) to the backboard frame using bolts (24), spacers (38), and nuts (17) as shown.



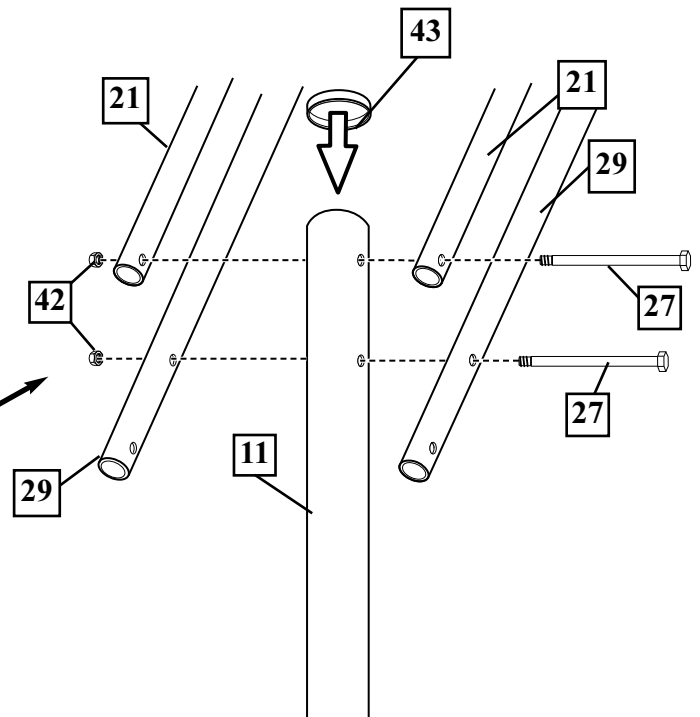
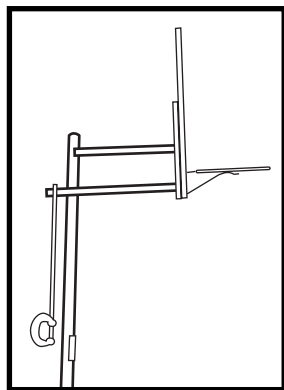
- 6.** Attach lower elevator tubes (29) to backboard support brackets (37) using spacers (59), bolt (27), and nut (42) as shown. **NOTE:** Rim mounting nuts (8) and bolts (39) supplied with rim hardware.



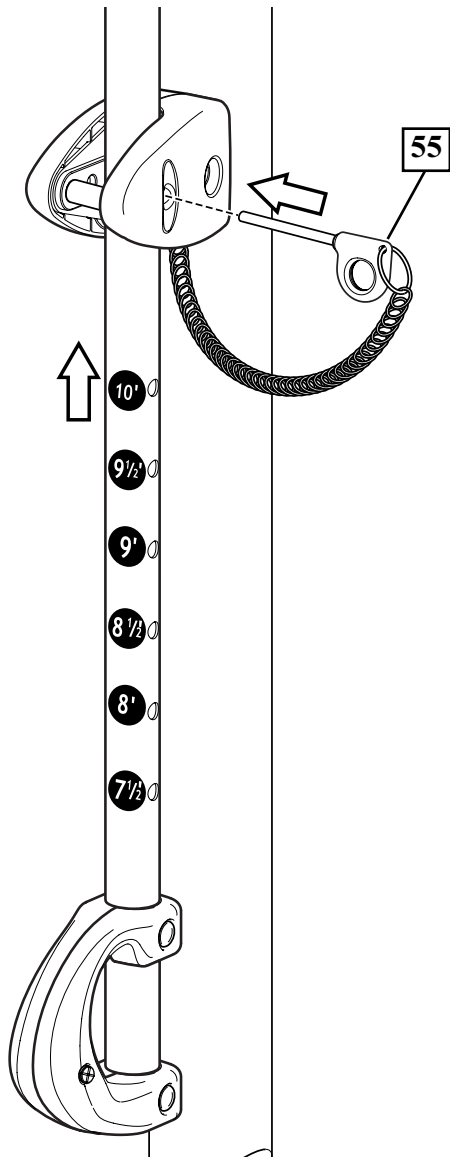
- 7.** Attach upper elevator tubes (21) to backboard support brackets (37) using spacers (59), bolt (27), and nut (42) as shown.



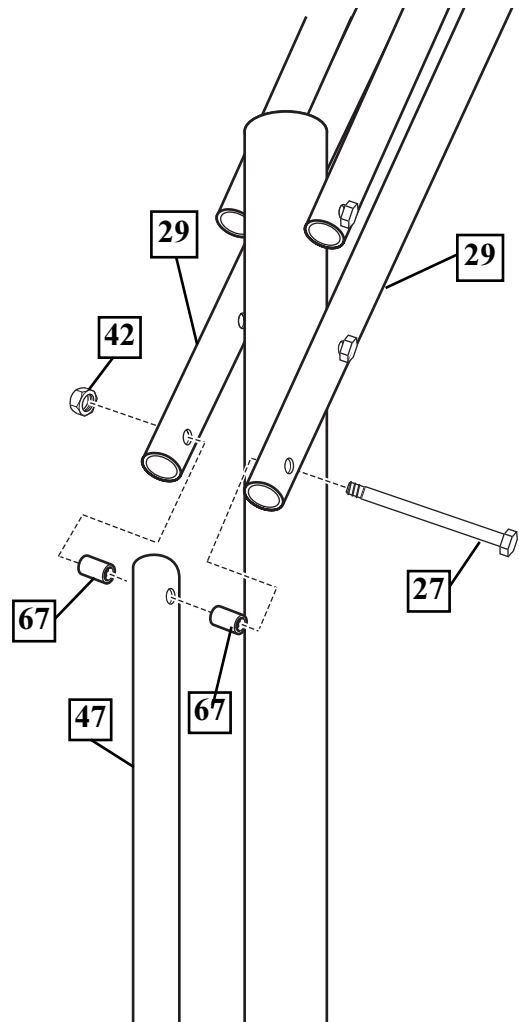
- 8.** Attach backboard assembly to pole section (11). Install pole cap (43).



- 9.** Insert handle assembly through pole mount assembly as shown. Lock pole assembly in place at the 10' (3.05m) mark with pin (55).

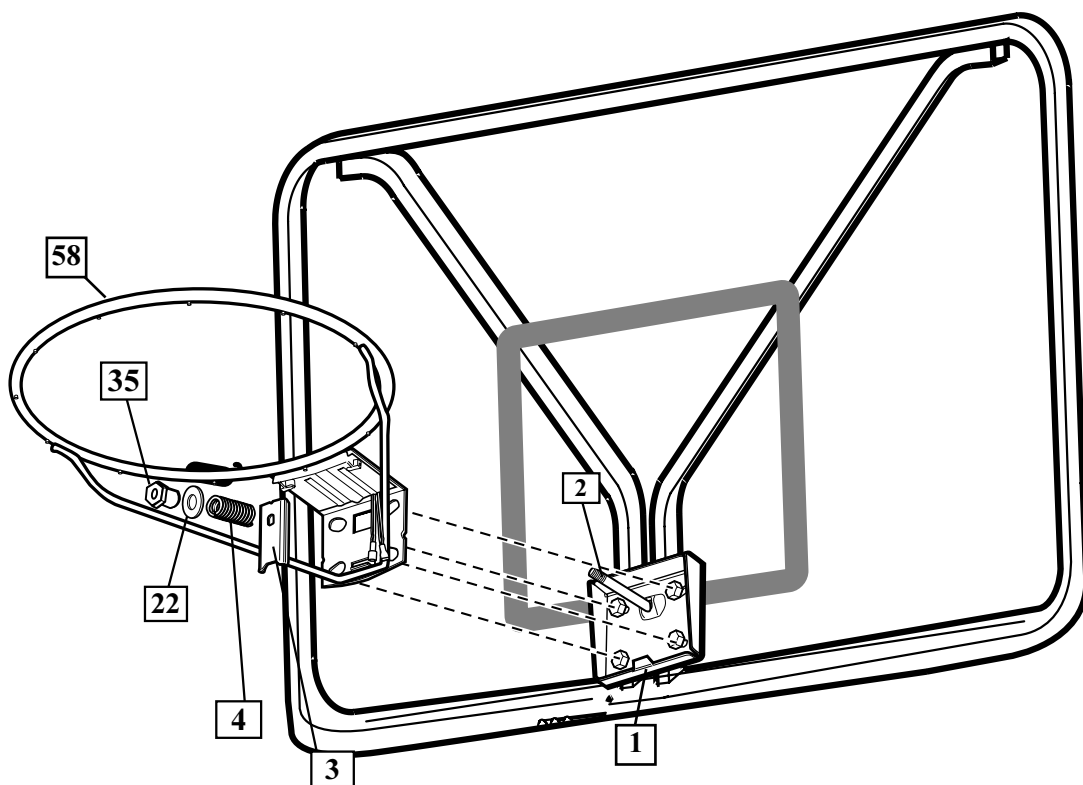


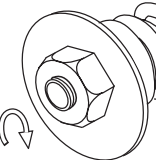
- 10.** Attach adjustment rod (47) to lower elevator tubes (29) using bolt (27) spacer (59) and nut (42) as shown.



12.

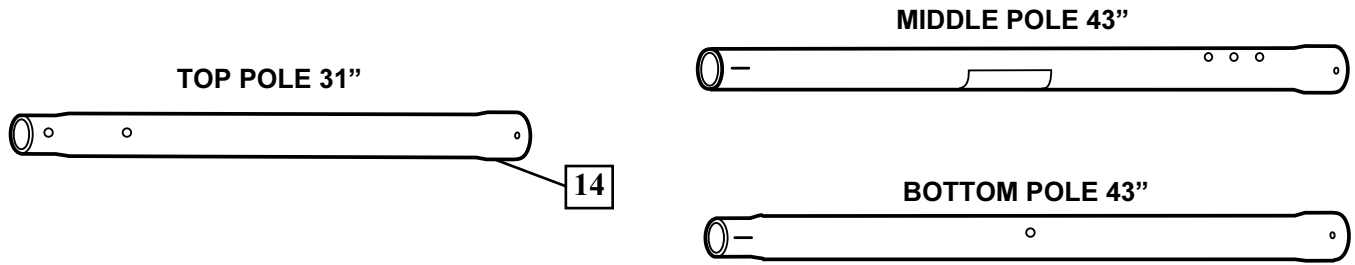
- Fit rim (58) securely into bracket (1) as shown.
- Install reinforcement bracket (3) onto "T" bolt (2) as shown.
- Install spring (4) onto "T" bolt (2) as shown.
- Install special nut (35) and washer (22) onto "T" bolt (2).



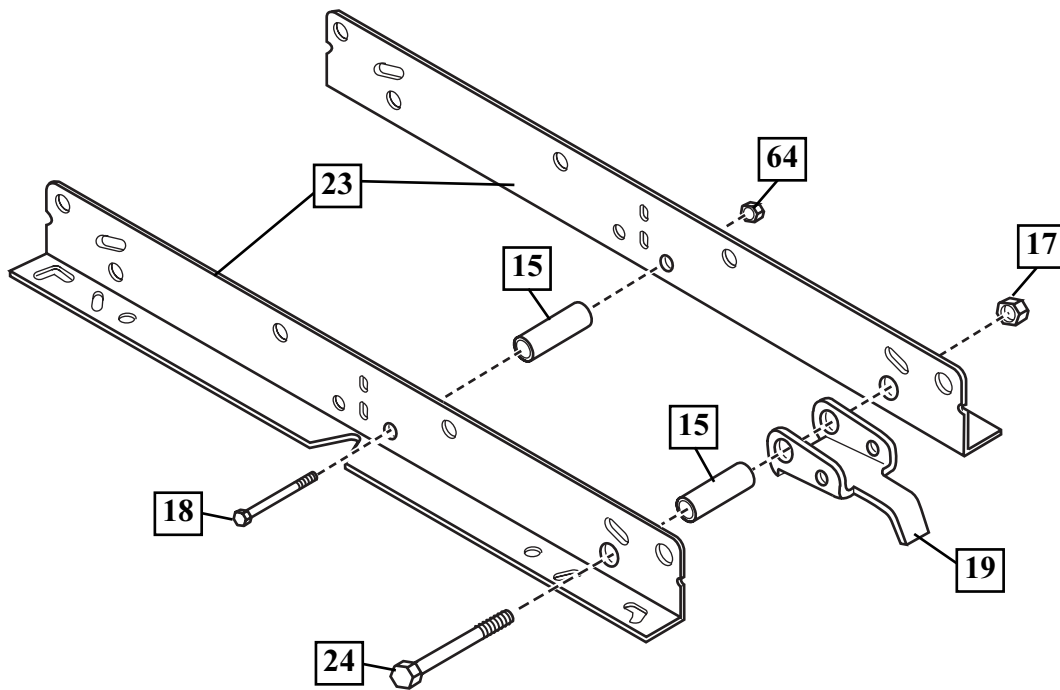
| | |
|--|---|
|  | <p>NOTE:</p> <p>Tighten nut (35) until flush with end of "T" bolt (2) as shown here.</p> |
|--|---|

44" FAN MOLDED PLASTIC BOARD ASSEMBLY - Corner Location 2

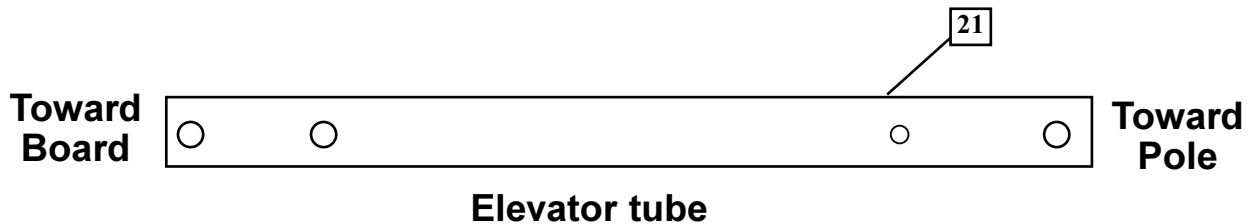
- 1.** Correctly identify each pole section.
ONLY THE TOP POLE SECTION (14) IS USED IN THIS ASSEMBLY.



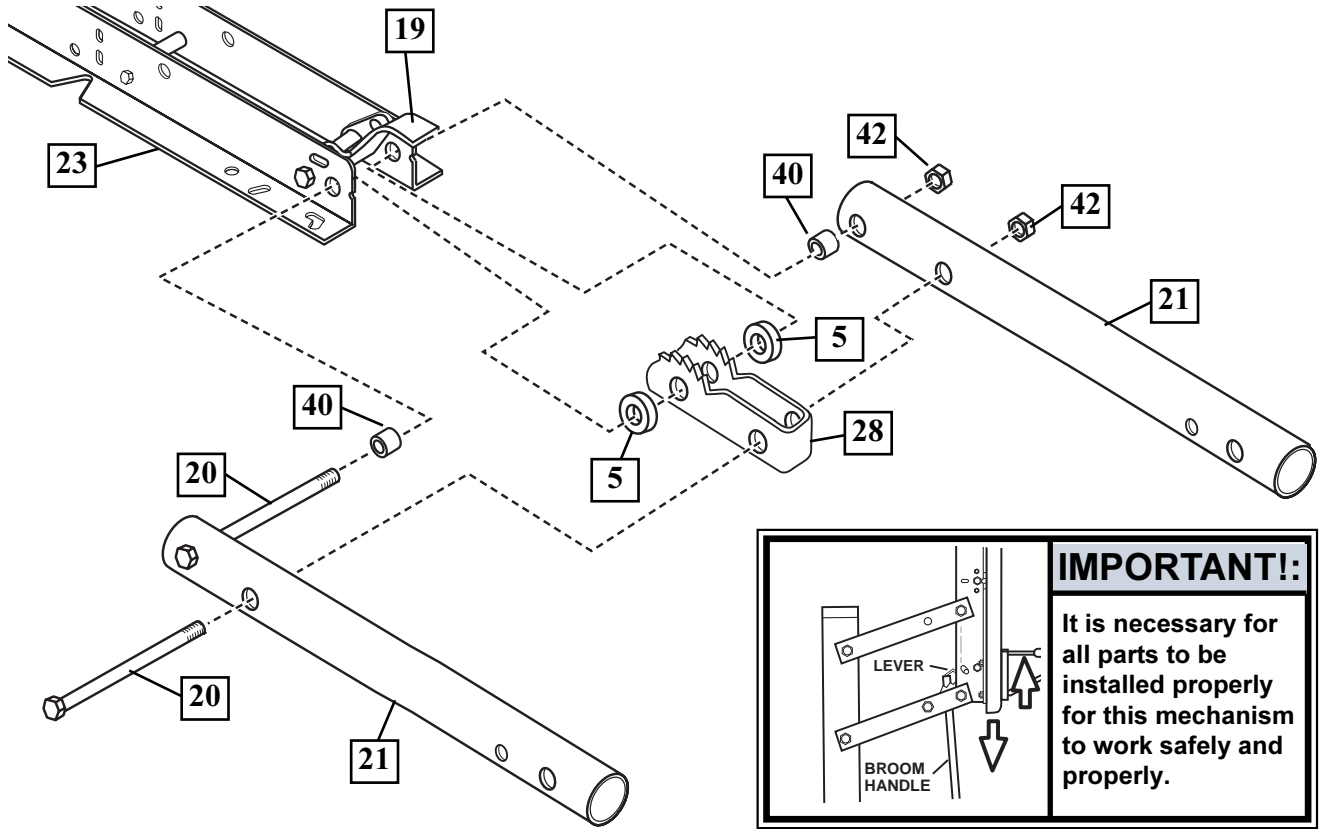
- 2.** Fit spacer (15) into pawl (19). Then continue to assemble as shown. Tighten completely.



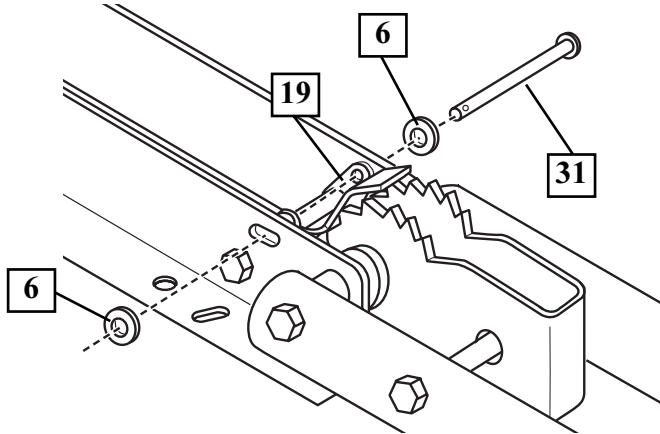
- 3.** Identify elevator tubes (21).



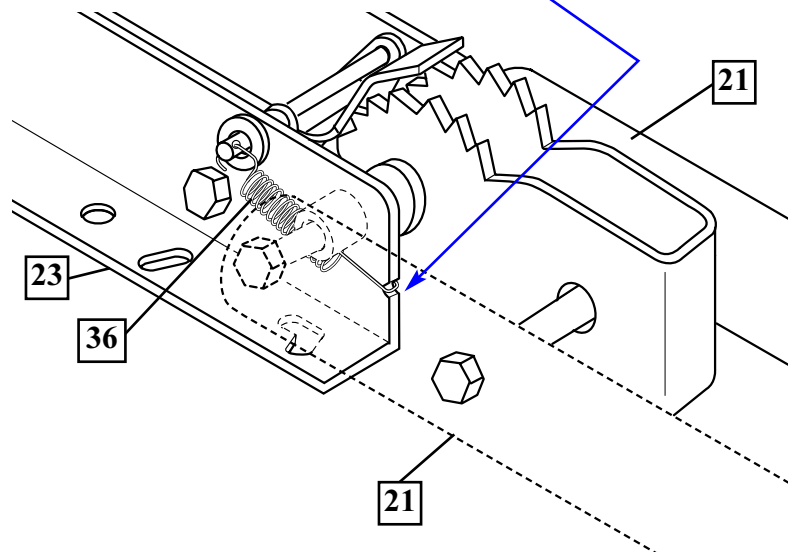
- 4.** Assemble elevator tubes (21) to ratchet (28) and backboard brackets (23) using bolts (20), spacers (5, & 40), and nuts (42) as shown. Tighten completely.



- 5.** Secure pawl (19) in place with clevis pin (31) and washers (6) as shown.

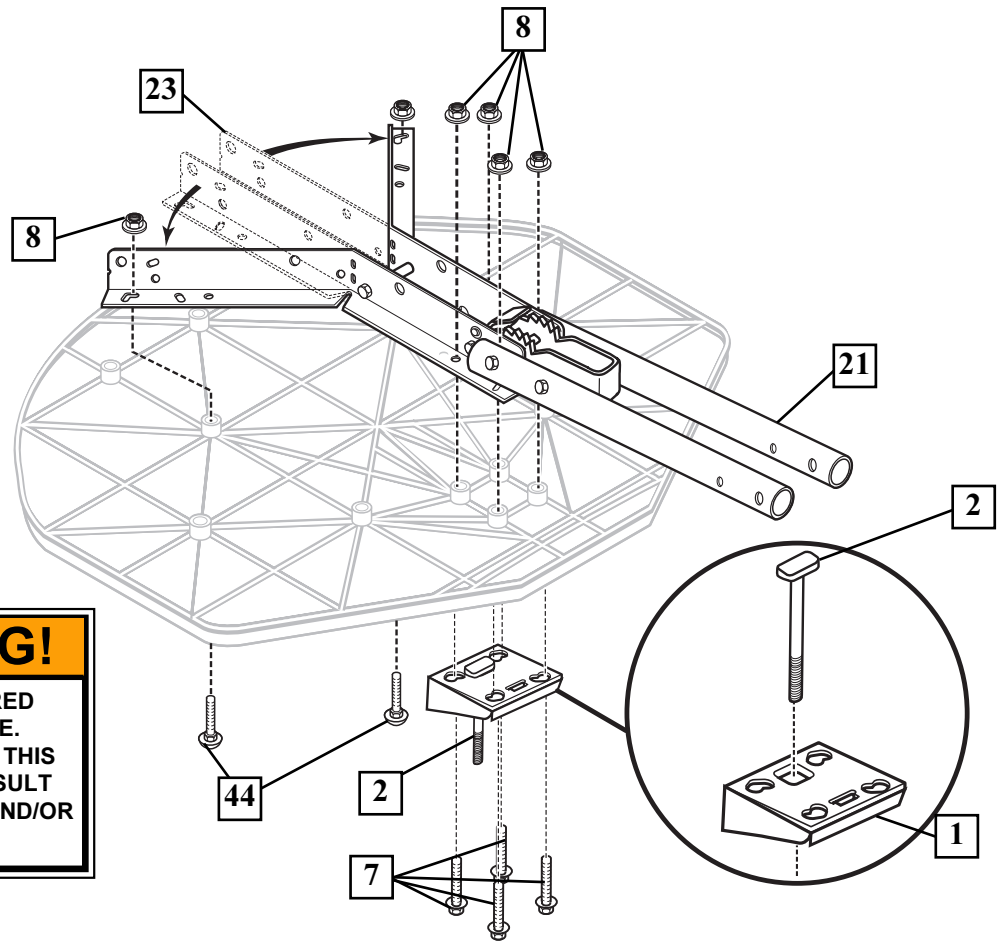


- 6.** Hook one end of the spring (36) into hole of clevis pin (31). Stretch spring (36) and hook it into the notch of the bracket with pliers.

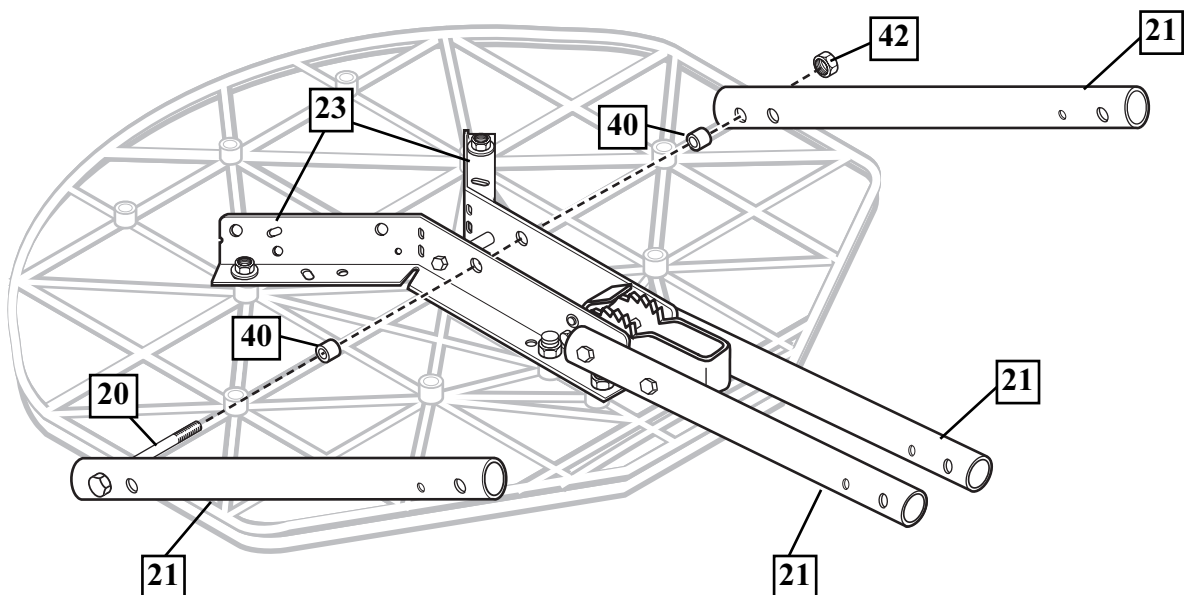


- 7.** Insert "T" bolt (2) through Slam Jam bracket (1) as shown. Secure Slam Jam bracket (1) and backboard bracket (23) assemblies to backboard. Bend upper halves of backboard brackets (23) to line up with holes in backboard and secure with bolts (44 & 7) and nuts (8).

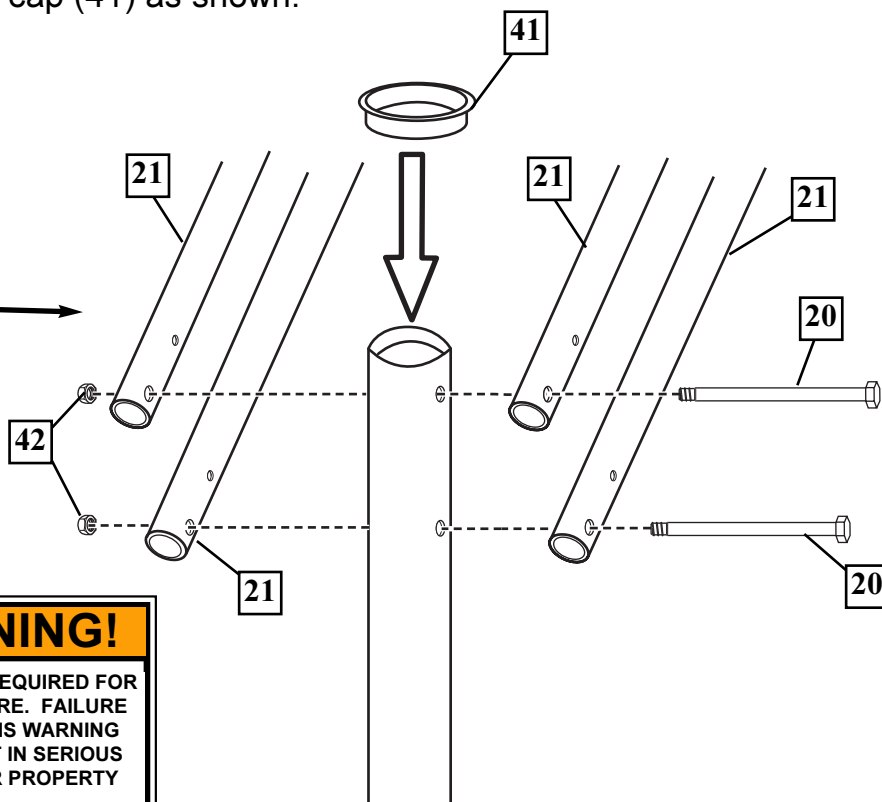
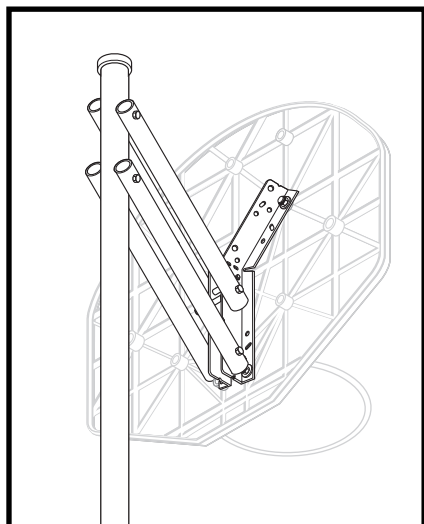
Tighten completely.



- 8.** Attach upper elevator tubes (21) to backboard brackets (23) using spacers (40) bolt (20) and nut (42) as shown.



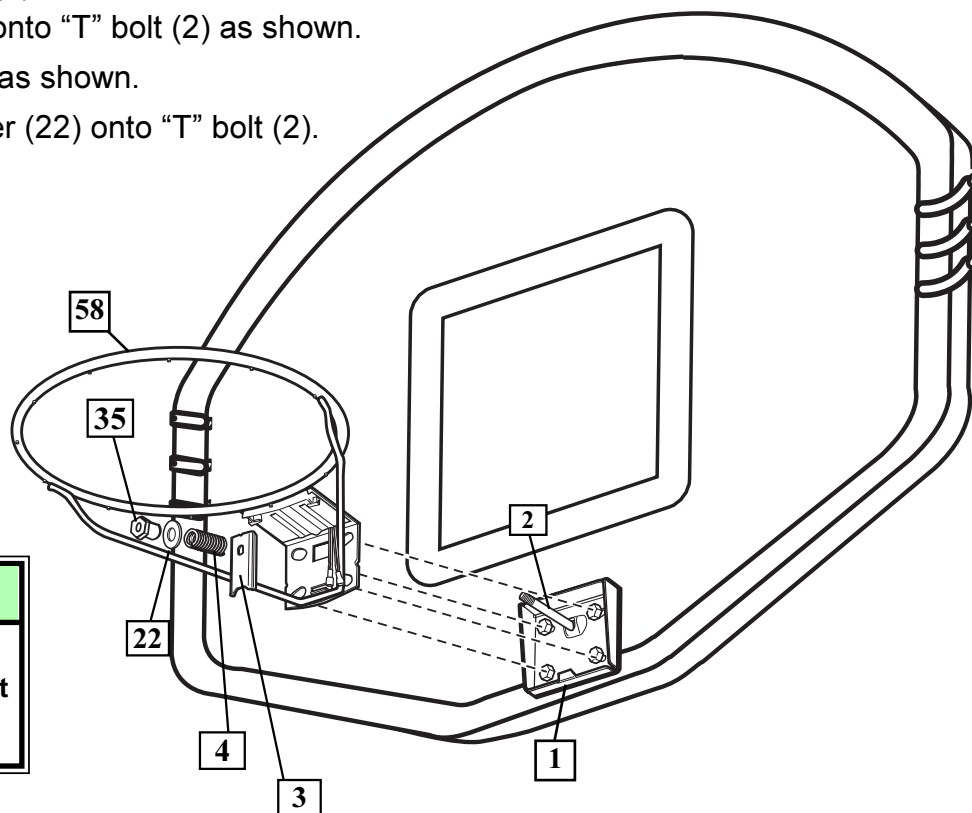
- 9.** Attach upper and lower elevator tubes (21) to top pole section (14) using bolts (20) and nuts (42) as shown. Attach pole cap (41) as shown.



| | |
|--|---|
| | <p>! WARNING!</p> <p>TWO PEOPLE REQUIRED FOR THIS PROCEDURE. FAILURE TO FOLLOW THIS WARNING COULD RESULT IN SERIOUS INJURY AND/OR PROPERTY DAMAGE.</p> |
|--|---|

10.

- Fit rim (58) securely into bracket (1) as shown.
- Install reinforcement bracket (3) onto "T" bolt (2) as shown.
- Install spring (4) onto "T" bolt (2) as shown.
- Install special nut (35) and washer (22) onto "T" bolt (2).

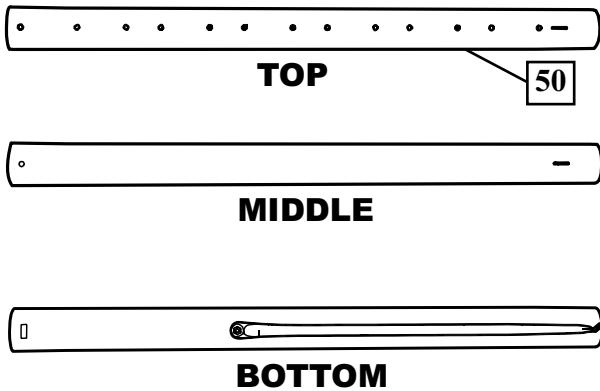


| | |
|--|---|
| | <p>NOTE:</p> <p>Tighten nut (35) until flush with end of "T" bolt (2) as shown here.</p> |
|--|---|

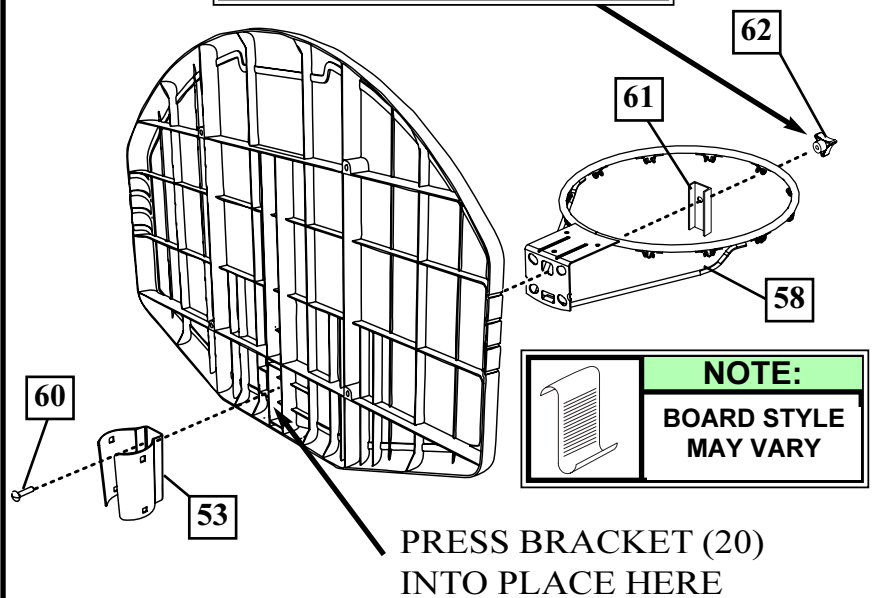
FAN MOLDED PLASTIC BOARD ASSEMBLY - Corner Location 3.

- 1.** Correctly identify each pole section. Poles have an identification sticker that will be used as a reference point in the next step.

ONLY THE TOP POLE SECTION (50) IS USED IN THIS ASSEMBLY.

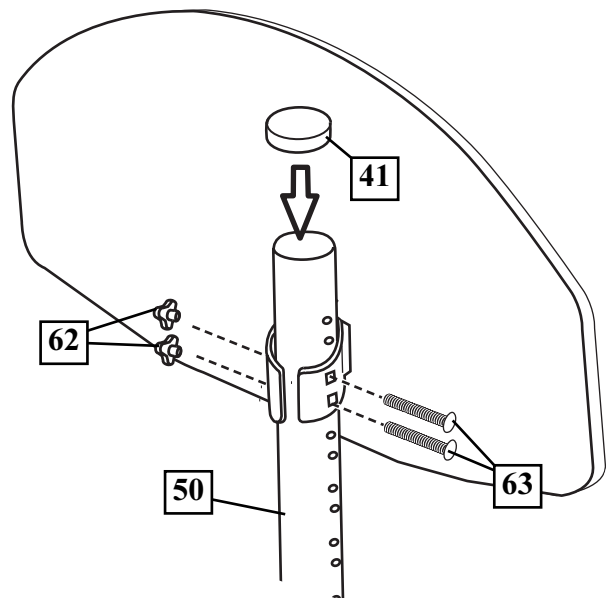


- 2.** Pole bracket will need to be lightly pressed into backboard ribbing. Be sure to press completely into place. Attach rim (58) to backboard and pole bracket (53) with knob (62), reinforcement bracket (61), and carriage bolt (60) as shown. Tighten knob completely.



3.

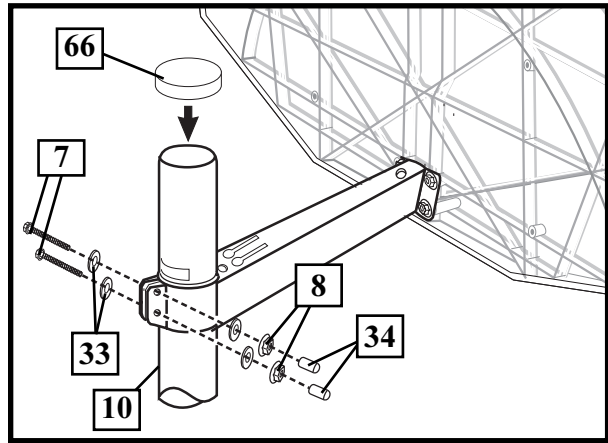
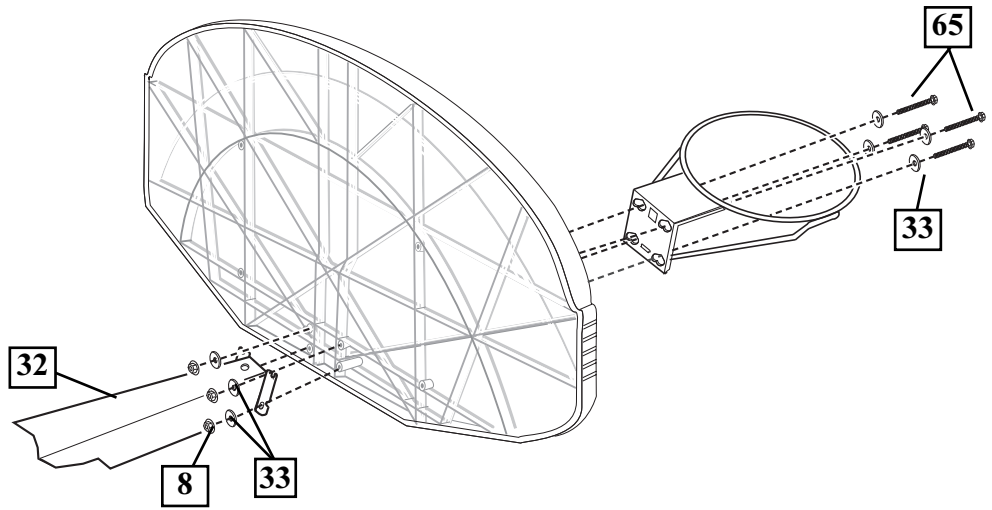
Attach board assembly to pole with carriage bolts (63) and knobs (62) as shown. Install pole cap (41) as shown.



FAN BACKBOARD ASSEMBLY - Corner Location 4.

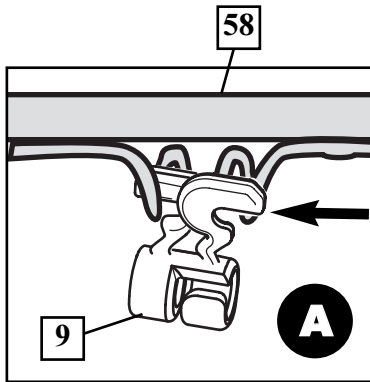
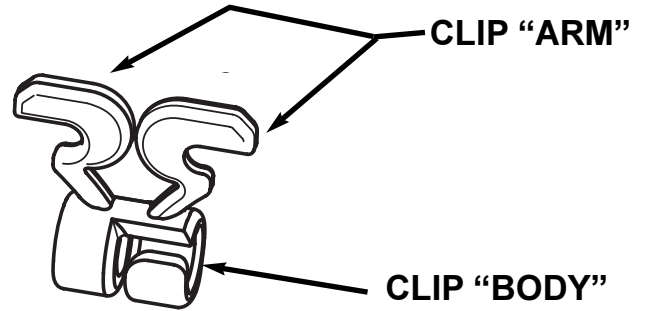
1. Assemble fan backboard as shown below with a standard rim as shown.

⚠ WARNING
TWO PERSON MINIMUM
REQUIRED FOR THIS
PROCEDURE.
NOT FOLLOWING
RECOMMENDATION MAY
RESULT IN BODILY INJURY.

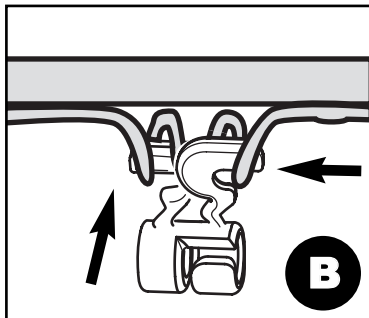


11. Install net clips.

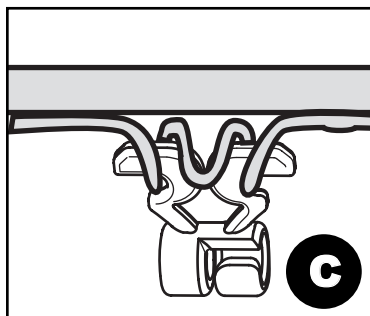
| | |
|--|--|
|  | ! WARNING! |
| | USE OF THIS PRODUCT WITHOUT PROPER INSTALLATION OF SMART CLIPS®, OR WHEN ALL SMART CLIPS® ARE NOT PRESENT COULD RESULT IN BODILY HARM. BE SURE TO FOLLOW DIRECTIONS CAREFULLY. |



Insert one "arm" of clip into ram as shown. Twist "body" of clip slightly so that second "arm" slides over the top of the first "arm" as shown.
Push in direction indicated by arrows.

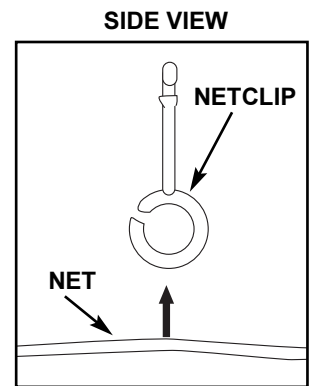
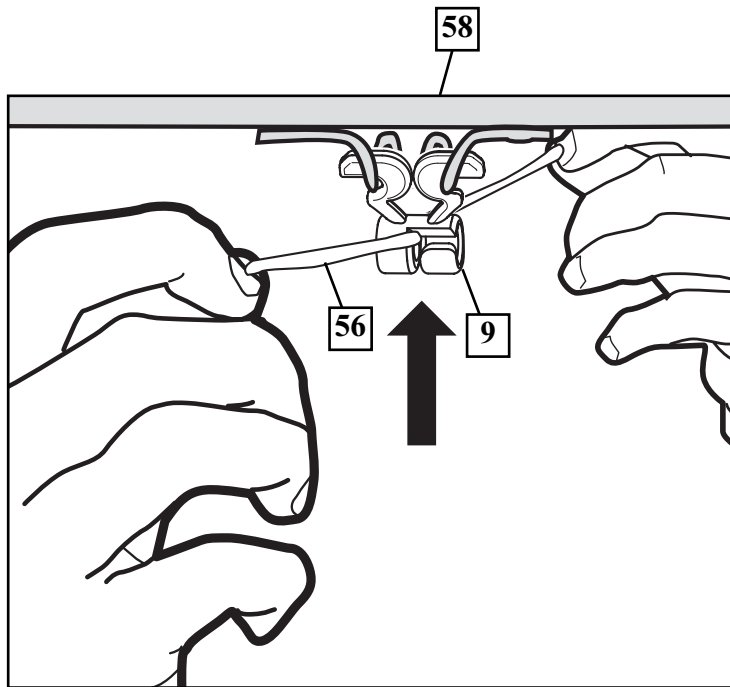


Push second "arm" back and into ram as shown.

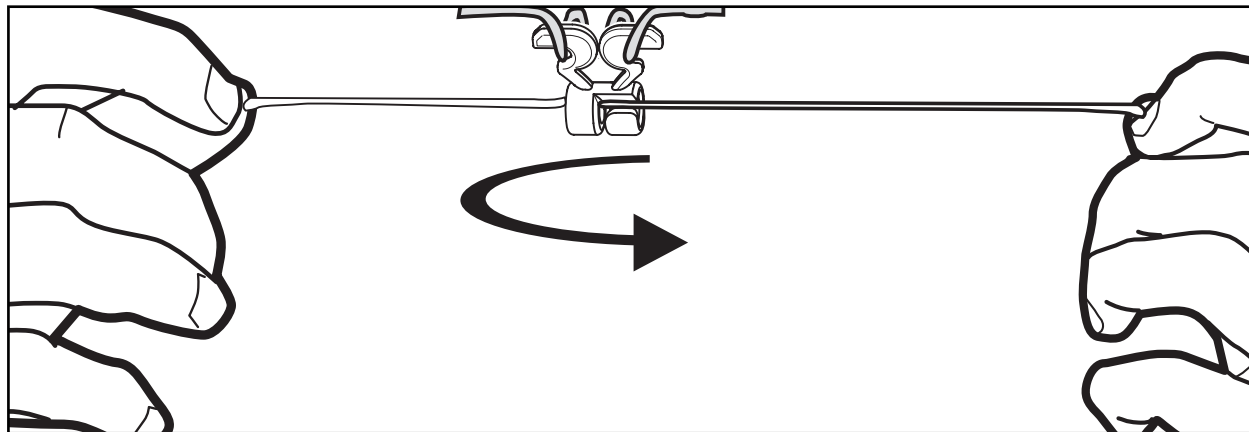


Twist "body" of clip slightly again to spread "arms" of clip. Clip "arms" must be flat and touching edge to edge as shown, not overlapping.

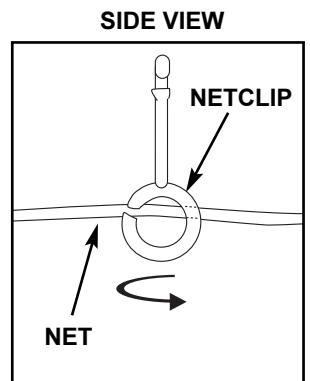
12. Install net.



Insert net into bottom of clip as shown.



Twist net until it snaps into position.
Net must be centered through clip.



Free Manuals Download Website

<http://myh66.com>

<http://usermanuals.us>

<http://www.somanuals.com>

<http://www.4manuals.cc>

<http://www.manual-lib.com>

<http://www.404manual.com>

<http://www.luxmanual.com>

<http://aubethermostatmanual.com>

Golf course search by state

<http://golfingnear.com>

Email search by domain

<http://emailbydomain.com>

Auto manuals search

<http://auto.somanuals.com>

TV manuals search

<http://tv.somanuals.com>