

## IMPORTANT! In U.S. and Canada only: Have questions? ...don't go back to the store!

We appreciate your purchasing one of our many fine products. We are sure that you will be very satisfied with your selection. Although great care and effort have been taken, occasionally problems may occur. To ensure prompt and correct handling of any problems, or to answer any questions, please contact our Toll-Free Customer Service Number listed below. Service will be quicker if you have your Model Number (found on carton) and assembly instructions ready when calling. PLEASE WRITE YOUR MODEL NUMBER IN THE SPACE PROVIDED ABOVE.

### SAFETY INSTRUCTIONS

**FAILURE TO FOLLOW THESE SAFETY INSTRUCTIONS MAY RESULT IN SERIOUS INJURY, PROPERTY DAMAGE AND WILL VOID WARRANTY.**

*Owner must ensure that all players know and follow these rules for safe operation of the system.*

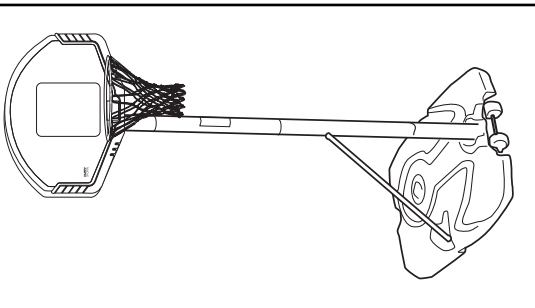
To ensure safety, do not attempt to assemble this system without following the instructions carefully. Proper and complete assembly, use and supervision is essential for proper operation and to reduce the risk of accident or injury. A high probability of serious injury exists if this system is not installed, maintained, and operated properly. Check entire box and inside all packing material for parts and/or additional instructional material. Before beginning assembly, read the instructions and identify parts using the hardware identifier and parts list in this document.

- If using a ladder during assembly, use extreme caution.
- Two (2) people are recommended for this operation.
- Check base regularly for leakage. Slow leaks could cause system to tip over unexpectedly.
- Seat the pole sections properly (if applicable). Failure to do so could allow the pole sections to separate during play and/or transport of the system.
- Climate, corrosion or misuse could result in system failure.
- Minimum operational height is 6'6" (1.98 m) to the bottom of backboard.
- This equipment is intended for home recreational use only and NOT excessive competitive play.
- Read and understand the warning label affixed to pole. Label is shown to the right.
- The life of your basketball pole depends on many conditions. The climate, placement of the pole, the location of the pole, exposure to corrosives such as pesticides, herbicides or salts are all important.
- If technical assistance is required, contact Huff Sports.
- Adult supervision is recommended when adjusting height.

*Most injuries are caused by misuse and/or not following instructions. Use caution when using this system.*

For more information on assembly, placement, proper use and maintenance, visit [The American Basketball Council website at http://www.americanbasketballcouncil.com](http://www.americanbasketballcouncil.com).

TUFF STUFF® and associated trademarks are owned and used with permission of Mattel, Inc. Huff products are not sponsored, endorsed or authorized in any way by Mattel, Inc. or any of its affiliated or subsidiary companies.



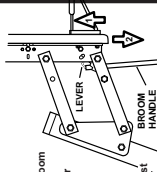
### NOTICE TO ASSEMBLERS

ALL Huff Sports basketball Systems, including those used for **DISPLAYS, MUST** be assembled and ballasted with sand or water according to instructions. Failure to follow instructions could result in **SERIOUS INJURY**. It is **NOT** acceptable to devise a makeshift weight system.

### HEIGHT ADJUSTMENT

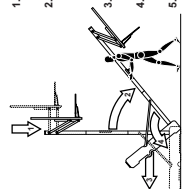
TO ADJUST BACKBOARD:

1. TO RAISE BACKBOARD: Slowly push up on the rim with broom (wooden broom, 20" diameter as shown) to engage locking mechanism at desired height.
2. TO LOWER BACKBOARD: Push broom down and carefully lower backboard to lowest position.



### MOVING SYSTEM

1. Adjust basketball backboard height to lowest position.
2. While holding pole rotate basketball system forward until wheels engage with ground.
3. Move basketball system to desired location.
4. Carefully rotate basketball system upright.
5. Reattach ground restraint and check system for stability.



The NBA and individual NBA member team identifications reproduced on this product are trademarks and copyrighted designs, and/or other forms of intellectual property, that are the exclusive property of NBA Properties, Inc. and the respective NBA member teams and may not be used, in whole or in part, without the written consent of NBA Properties, Inc.

## WARNING

**FAILURE TO FOLLOW THESE WARNINGS MAY RESULT IN SERIOUS INJURY AND/OR PROPERTY DAMAGE.**

*Owner must ensure that all players know and follow these rules for safe operation of the system.*

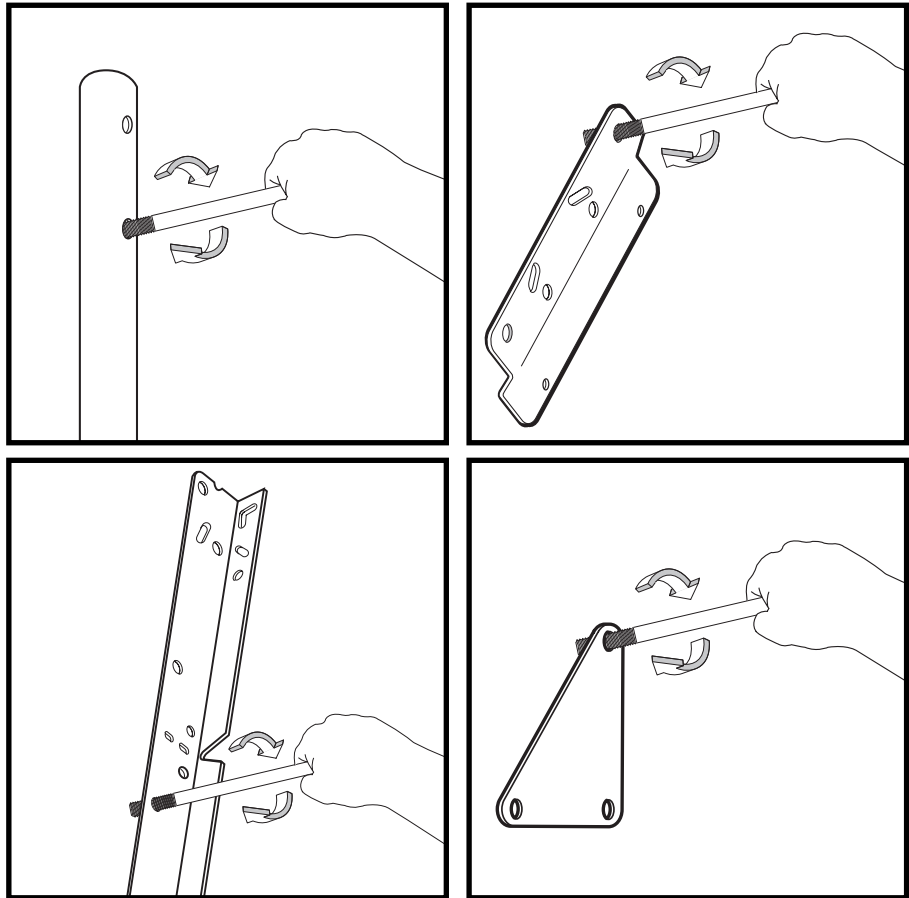
- DO NOT HANG on the rim or any part of the system including backboard, support braces or net.
- During play, especially when performing dunk type activities, keep player's face away from the backboard, rim and net. Serious injury could occur if teeth/face come in contact with backboard, rim or net.
- Do not slide, climb, shake or play on base and/or pole.
- After assembly is complete, fill system completely with water or sand and stake to the ground. Never leave system in an upright position without filling base with weight, as system may tip over causing injuries.
- When adjusting height or moving system, keep hands and fingers away from moving parts.
- Do not allow children to move or adjust system.
- Dangling jewelry (rings, watches, necklaces, etc.), Objects may entangle in net.
- Surface beneath the base must be smooth and free of gravel or other sharp objects. Punctures cause leakage and could cause system to tip over.
- Keep organic material away from pole base. Grass, litter, etc. could cause corrosion and/or deterioration.
- Check pole system for signs of corrosion (rust, pitting, chipping) and repaint with exterior enamel paint. If rust has penetrated through the steel anywhere, replace pole immediately.
- Check system before each use for proper ballast, loose hardware, excessive wear and signs corrosion and repair before use.
- Check system before each use for instability.
- Do not use system during windy and/or severe weather conditions; system may tip over. Place system in the storage position and/or in an area protected from the wind and free from personal property and/or overhead wires.
- Never play on damaged equipment.
- See instruction manual for proper installation and maintenance.
- When moving system, use caution to keep mechanism from shifting.
- Keep pole top covered with cap at all times.
- Do not allow water in tank to freeze. During sub-freezing weather, add non-toxic antifreeze, sand or empty tank completely and store. (Do not use salt).
- See extreme caution if placing system on sloped surface. System may tip over more easily.

**HUFFY SPORTS**

In the U.S.: 1-800-558-5234 and Canada: 1-800-284-8339

201257 3/99

# BEFORE YOU START!



**To ensure optimal playability of backboard system, a close tolerance fit between the elevator components and hardware is required. Test fit large bolts into large holes of elevator tubes, backboard brackets and triangle plates. Carefully rock them in a circular motion to ream out any excess paint from holes if necessary.**

## **AVANT DE COMMENCER !**

Pour garantir l'utilisation optimale du panneau, les composants du système élévateur et la visserie doivent être bien ajustés (serrés). À titre d'essai, insérez les gros boulons dans les gros trous des tubes du système élévateur, des supports du panneau et des plaques triangulaires. Basculez-les avec précaution en imprimant un mouvement circulaire pour éliminer l'excédent de peinture, si nécessaire.

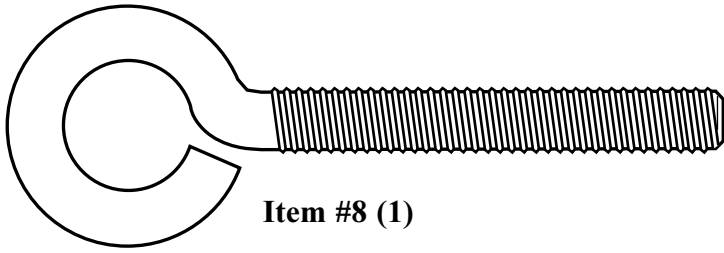
## **¡ANTES DE COMENZAR!**

Para asegurar el óptimo rendimiento del sistema del respaldo en el juego, se requiere un ajuste de tolerancia estrecha entre los componentes del elevador y el herraje. Pruebe el ajuste de los pernos grandes en los orificios grandes de los tubos elevadores, soportes del respaldo y placas triangulares. Cuidadosamente muévalos en círculos para eliminar cualquier exceso de pintura, si es necesario.

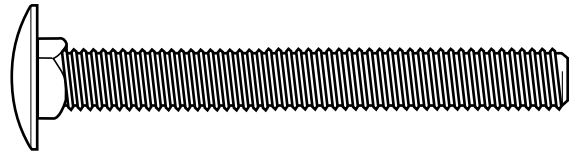
## **VORBEREITENDE MASSNAHMEN**

Um sicherzustellen, dass das Korbwandssystem optimal für den Spielbetrieb geeignet ist, müssen die Komponenten der Verlängerungsvorrichtung und die verschiedenen Befestigungsteile fest miteinander verschraubt werden. Große Schrauben zur Probe in die großen Löcher der Verlängerungsrohre, Korbwandklammern und Dreiecksplatte stecken und diese vorsichtig in einer Kreisbewegung hin- und herbewegen, um eventuelle Farbrückstände aus den Bohrungen zu entfernen.

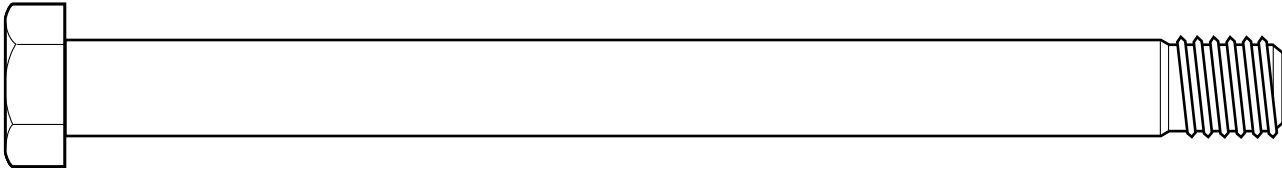
## HARDWARE IDENTIFIER (BOLTS)



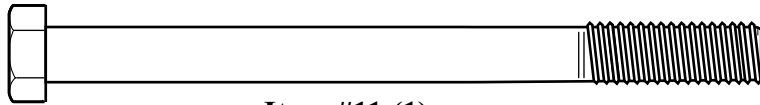
**Item #8 (1)**



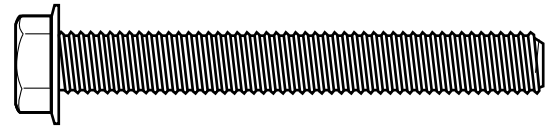
**Item #32 (2)**



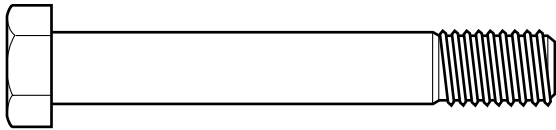
**Item #43 (5)**



**Item #11 (1)**



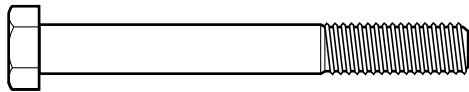
**Item #31 (4)**



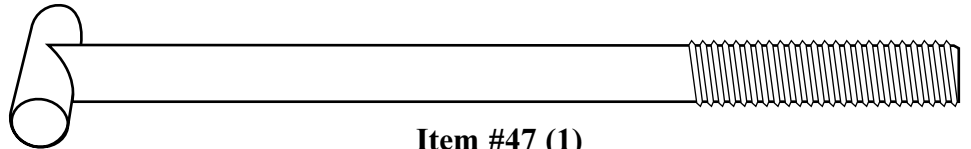
**Item #35 (1)**



**Item #15 (2)**

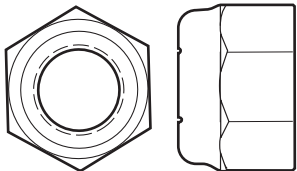


**Item #34 (1)**

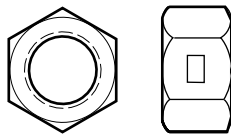


**Item #47 (1)**

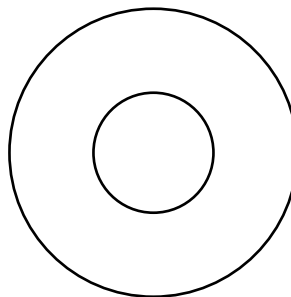
## HARDWARE IDENTIFIER (NUTS & WASHERS)



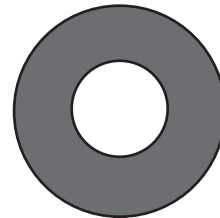
**Item #39 (5)**



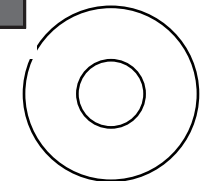
**Item #37 (1)**



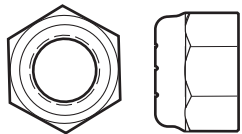
**Item #38 (1)**



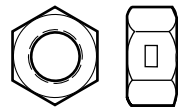
**Item #17 (4)**



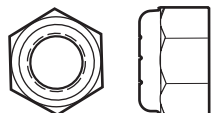
**Item #12 (6)**



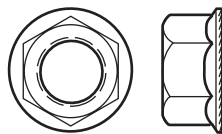
**Item #9 (1)**



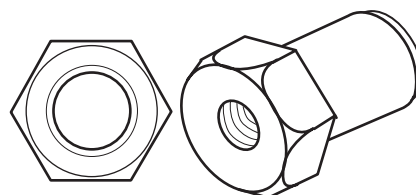
**Item #36 (1)**



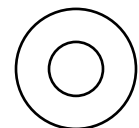
**Item #13 (1)**



**Item #16 (8)**



**Item #40 (1)**



**Item #18 (2)**

\* You may have extra parts with this model.

**HARDWARE IDENTIFIER (STEEL SPACERS & RODS)**



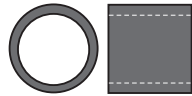
**Item #7 (1)**



**Item #33 (2)**



**HARDWARE IDENTIFIER (PLASTIC SPACERS & CLIPS)**

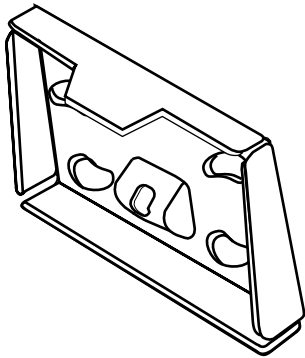


**Item #42 (4)**

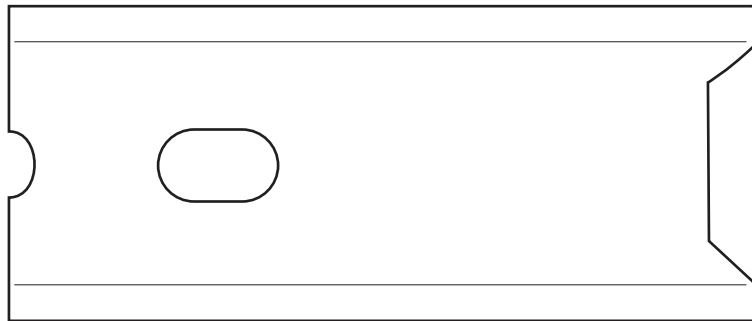


**Item #20 (12)**

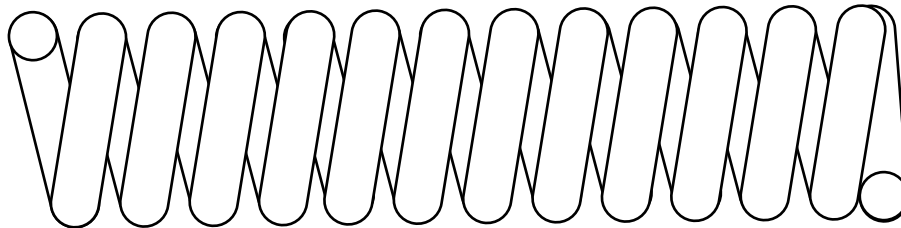
**HARDWARE IDENTIFIER (OTHER)**



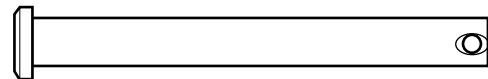
**Item #46 (1)**



**Item #48 (1)**



**Item #45 (1)**



**Item #30 (1)**



## Questions or Missing Parts?

**STOP! DON'T go back to store!**

Call TOLL-FREE Customer Service  
Number listed on the front page!

1. Remove contents from tank (1).
2. Correctly identify each pole section and mark indicated distance from ends with tape as shown.
3. **IMPORTANT! Center alignment slot of middle pole section (5) in a lower hole of top pole section (4) as shown.** While maintaining alignment, bounce pole top (4) and middle section (5) together as shown until they no longer move toward taped reference mark. Upright assembly. **NOTE:** Pole sections should have a 3-1/2" (9 cm) minimum overlap.
4. **IMPORTANT! Center alignment slot of lower pole section (6) in a lower hole of middle pole section (5) as in step 3.** While maintaining alignment, bounce assembly and lower pole section (6) together as shown until they no longer moved toward taped reference mark. **NOTE:** Pole sections should have a 3-1/2" (9 cm) minimum overlap.
5. Install rod (7) through holes in bottom pole section (6) and eyebolt (8).
6. Install wheel axle (2) through wheel carriage (19) and install wheels (3) onto wheel axle (2) with spacers (17) as shown. Insert pole assembly into tank assembly as shown. Secure bottom pole (6) section to tank and wheel carriage as shown. A deep socket is recommended. **NOTE:** Two people recommended for this step. **IMPORTANT! DO NOT OVER TIGHTEN.**
7. Secure base struts (10) to pole using bolt (11), washers (12), and nut (13), as shown. Rotate the non-secured ends of base struts (10) as shown.  
**▲ WARNING: TIGHTEN BOLT (11) IN LOCKNUT (13) UNTIL FLUSH (EVEN) WITH LOCKNUT'S OUTER EDGE.**
8. Secure base struts (10) to base using bolt (15), washers (12), and nut (16).
9. **IMPORTANT! Test fit bolts into holes of backboard brackets (29) and carefully rock them in a circular motion to ream out paint from holes if necessary.**  
Fit spacer (33) into pawl (27). Then continue to assemble as shown. Tighten completely.
10. Assemble elevator tubes (44) to ratchet components as shown. Tighten completely. **IMPORTANT! It is necessary for all parts to be installed properly for this mechanism to work safely and properly.**
11. Secure pawl (27) in place with clevis pin (30) and washers (18) as shown.
12. **▲ WARNING: USE EYE PROTECTION WHEN INSTALLING SPRINGS.**  
Stretch spring (41) into position with pliers.
13. **▲ WARNING: TWO PERSON MINIMUM REQUIRED FOR THIS PROCEDURE. NOT FOLLOWING RECOMMENDATION MAY RESULT IN BODILY INJURY.**  
Insert "T" bolt (47) through Slam Jam bracket (46) as shown. Secure Slam Jam bracket (46) and backboard bracket (29) assemblies to backboard. Bend upper halves of backboard brackets (29) to line up with holes in backboard and secure with bolts (32) and nuts (16). Tighten completely.
14. Attach upper elevator tubes (44) to backboard brackets (29) using spacers (42) bolt (43) and nut (39) as shown.

15. **▲ WARNING: TWO PERSON MINIMUM REQUIRED FOR THIS PROCEDURE. NOT FOLLOWING RECOMMENDATION MAY RESULT IN BODILY INJURY.**

Support pole on sawhorse. Attach upper and lower elevator tubes (44) to upper pole section (4) using bolts (43) and nuts (39) as shown. Attach pole cap (22) as shown.

16. Fit rim (21) securely into bracket (46) as shown.  
Install reinforcement bracket (48) onto "T" bolt (47) as shown.  
Install spring (45) onto "T" bolt (47) as shown.  
Install special nut (40) and washer (38) onto "T" bolt (47).  
Tighten nut (40) until flush with end of "T" bolt (47).

**▲ WARNING: USE OF THIS PRODUCT WITHOUT PROPER INSTALLATION OF SMART CLIPS, OR WHEN ALL SMART CLIPS ARE NOT PRESENT COULD RESULT IN BODILY HARM. BE SURE TO FOLLOW DIRECTIONS CAREFULLY.**

17. Install net clips as shown. (See illustration)

18. Install net as shown. (See illustration)

19. **▲ WARNING: DO NOT LEAVE ASSEMBLY UNATTENDED WHEN EMPTY, MAY TIP OVER.**

**▲ WARNING: TWO PERSON MINIMUM REQUIRED FOR THIS PROCEDURE. NOT FOLLOWING RECOMMENDATION MAY RESULT IN BODILY INJURY.**

Roll the completed assembly to the desired playing area. Insert the T-strap (14) through the slot on the back of the base as shown. Secure the unit to ground by twisting the tie down stake (23) into the ground and hooking the T-strap (14) onto the tie down stake (23). Fill tank with 33 gallons of water.

**IMPORTANT! Add two gallons (7.6 Liters) of non-toxic antifreeze in sub-freezing climates.**

20. Apply the height adjustment and moving label (25) to the front of the pole as shown.

- ▲ WARNING: DO NOT ALLOW CHILDREN TO ADJUST HEIGHT.**

### WARRANTY CARD:

Please remember to complete your product registration form either on-line at: [www.huffysports.com/warrantycard](http://www.huffysports.com/warrantycard) or mail-in the enclosed postcard.

**PARTS LIST - See Hardware Identifier**

<u>Item</u>	<u>Qty.</u>	<u>Part No.</u>	<u>Description</u>	<u>Item</u>	<u>Qty.</u>	<u>Part No.</u>	<u>Description</u>
1	1	206657	Tank, (Black)	29	2	900846	Backboard Bracket
2	1	200628	Wheel Axle	30	1	206305	Clevis Pin 1/4 x 2-9/32 Large
3	2	226401	Wheel, 4" (Black)	31	4	203113	Bolt, Hex Flange , 5/16-18 x 2 1/2 Long
4	1	900217	Top Pole Section	32	2	203038	Bolt, Carriage, 5/16-18 x 2-3/4 Long
5	1	904840	Middle Pole Section	33	2	201129	Spacer .402 I.D. x.500 O.D. x 1.8 Long
6	1	900136	Bottom Pole Section	34	1	240017	Bolt, Hex 1/4-20 x 2-1/4 Long
7	1	202820	Rod, 3/8 O.D. x 4-3/4 Long	35	1	206360	Bolt, Hex 3/8-16 x 2.65 Long
8	1	202822	Eyebolt, 3/8-16 x 2-1/2 Long	36	1	203493	Lock Nut 1/4-20
9	1	203063	Nylon Insert Lock Nut, 3/8-16	37	1	201124	Lock Nut 3/8-16
10	2	906206	Tank Strut	38	1	203470	Washer Flat, Slam Jam
11	1	201625	Bolt, Hex Head, 5/16-18 x 3-3/4 Long	39	5	206340	Nut 1/2-13
12	6	203218	Washer, Flat, 3/8 I.D.	40	1	203795	Nut, Special, Slam Jam
13	1	203220	Nylon Insert Lock Nut, 5/16-18	41	1	201125	Return Ratchet Spring
14	1	201568	Anchor, T-Strap	42	4	201642	Spacer .530 I.D. x.63 O.D. x .5 Long
15	2	205528	Bolt, Hex Flange, 5/16-18 x 1 Long	43	5	206304	Bolt 1/2-13 x 6-5/16 Long
16	8	203100	Nut, Hex Flange, 5/16-18	44	4	908002	Elevator Tubes
17	4	201651	Spacer .500 I.D. x .25 Long	45	1	203472	Spring, Black, Slam Jam
18	2	206303	Washer 1/4 Flat	46	1	900033	Bracket Slam Jam
19	1	200627	Wheel Bracket	47	1	203796	T-Bolt, 3/8-16 x 5" Large
20	12	201219	Clip, Net Holder	48	1	200318	Bracket, Reinforcement, Slam Jam
21	1		Rim	49	1	203365	Rim Spacer, Plastic
22	1	206219	Cap, Pole Top 3"	50	1	202587	Spacer, .530 I.D. x 1" Long
23	1	203124	Stake, Tie Down				
24	2	203617	Plug Cap				
25	1	201257	Label, Height Adjustment and Moving				
26	1		Net				
27	1	201160	Pawl Lever				
28	1	201159	Ratchet				

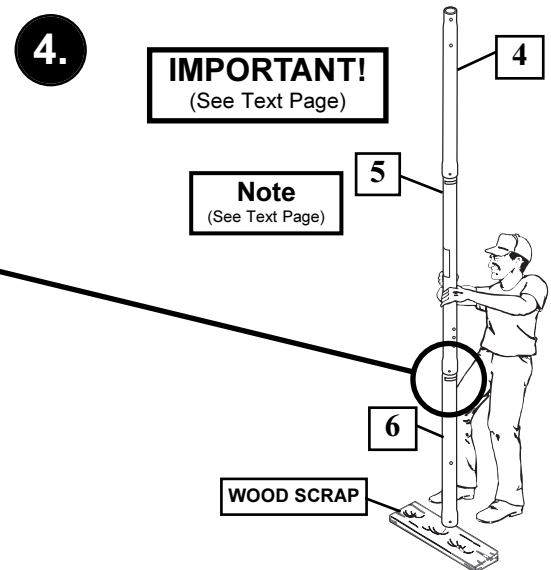
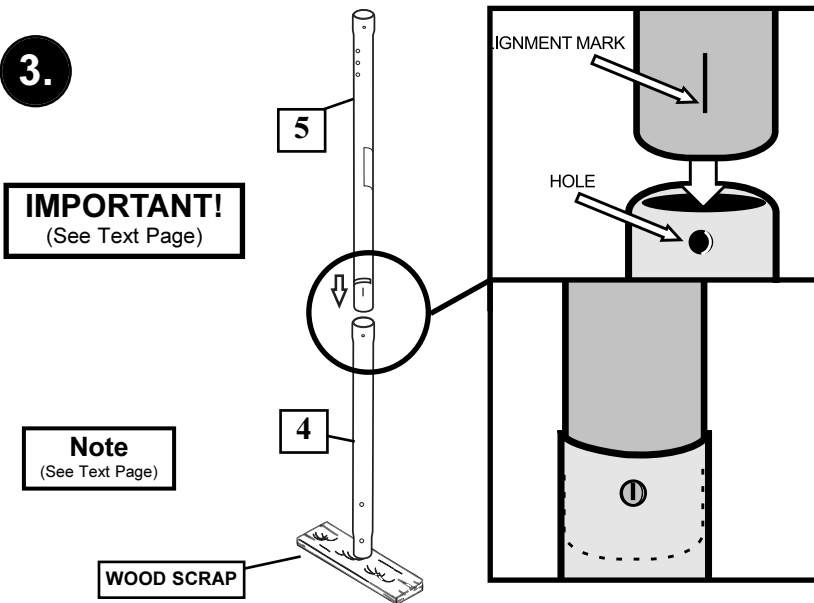
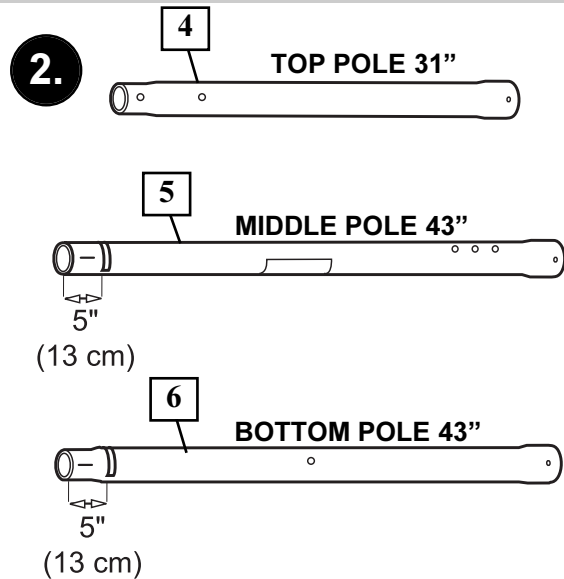
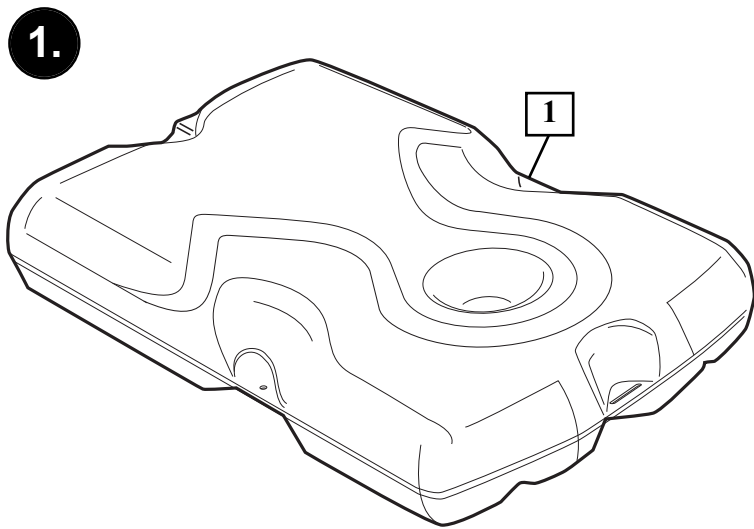
**NOTE:** Hardware kit is designed for more than one style of basketball system.  
Not all hardware will be used.



# Questions or Missing Parts?

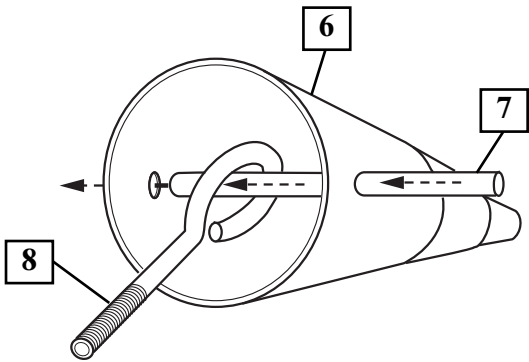
## DON'T go back to store!

Call TOLL-FREE Customer Service Number listed on the front page!

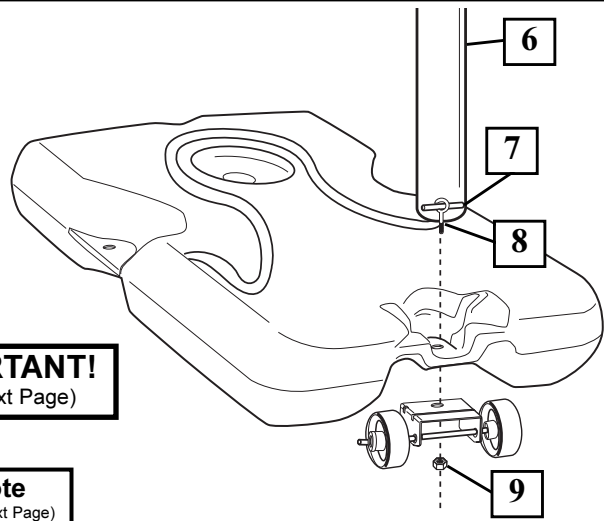




5.

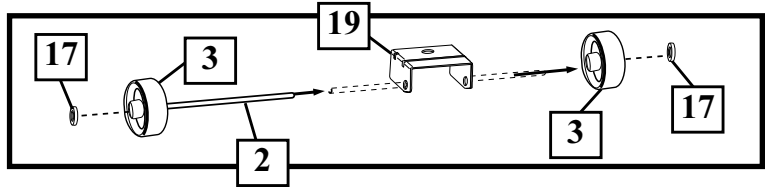


6.

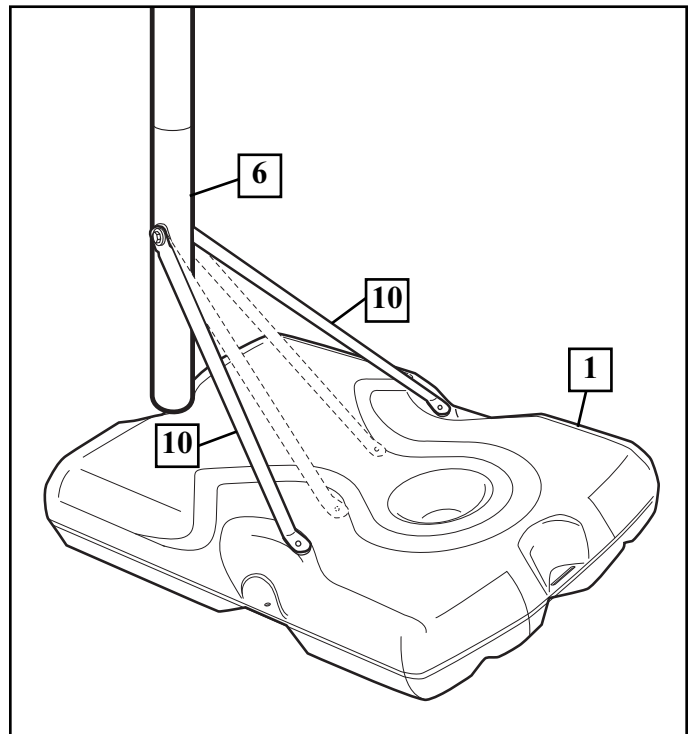
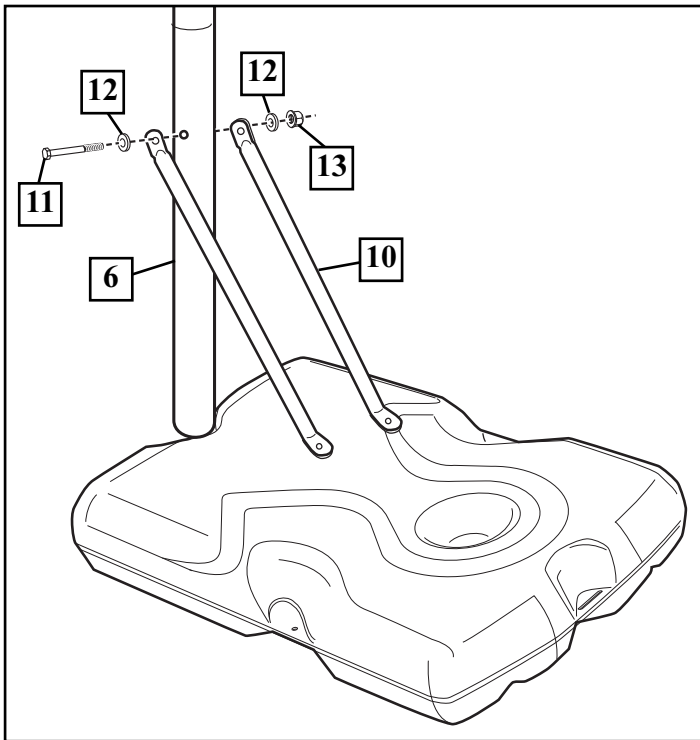


**IMPORTANT!**  
(See Text Page)

**Note**  
(See Text Page)

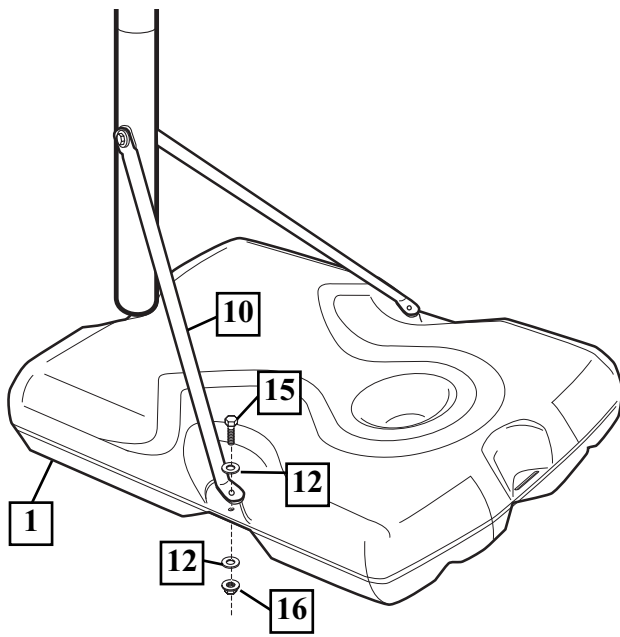


7.

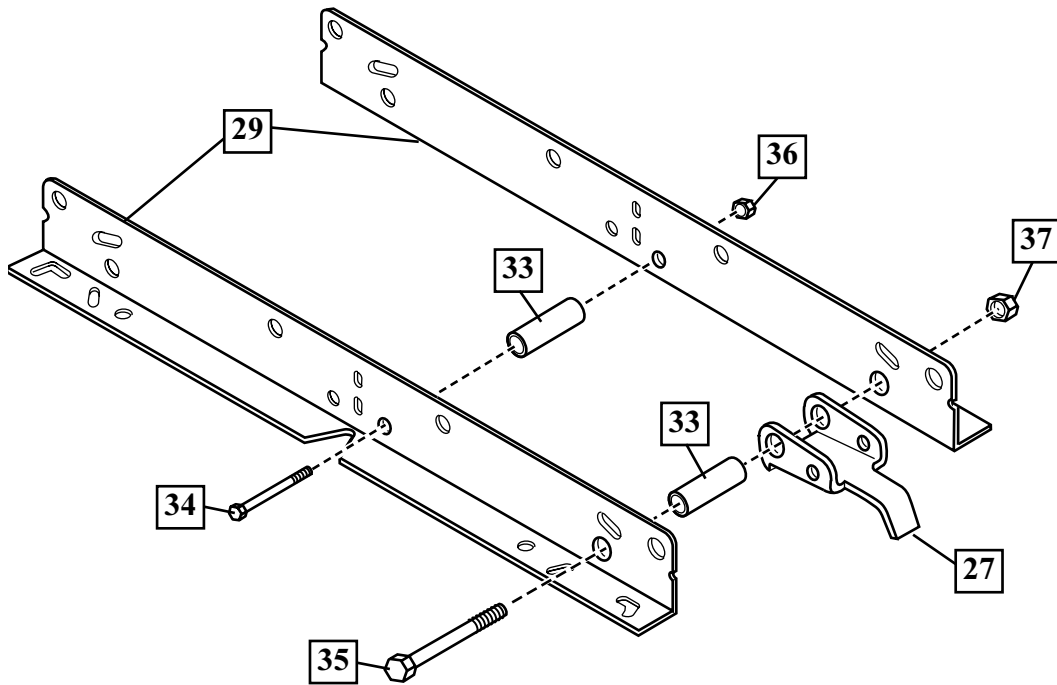




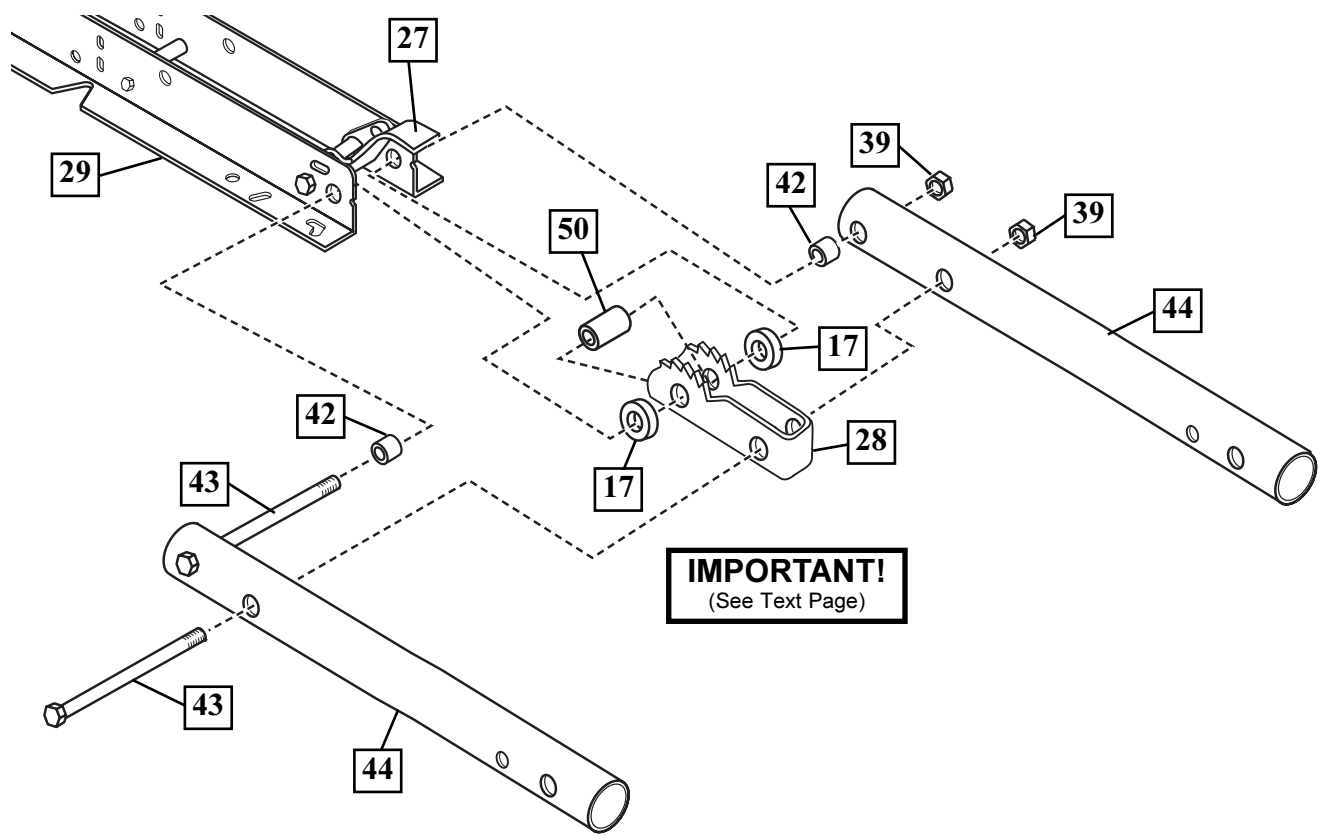
8.



9.

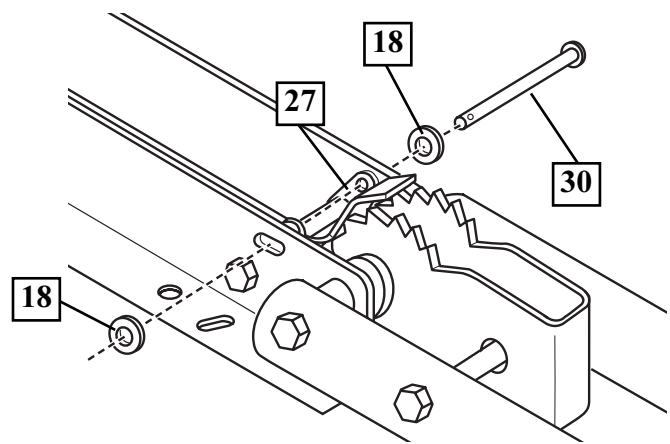


10.



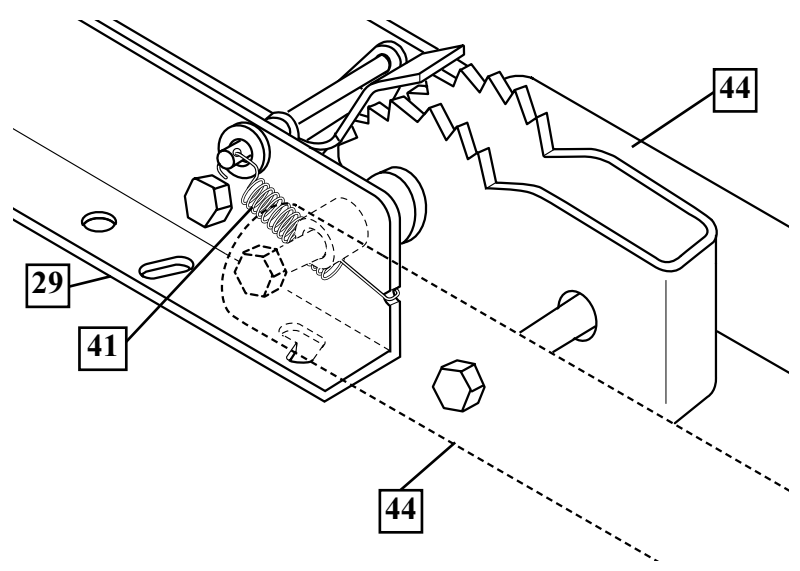
**IMPORTANT!**  
(See Text Page)

11.

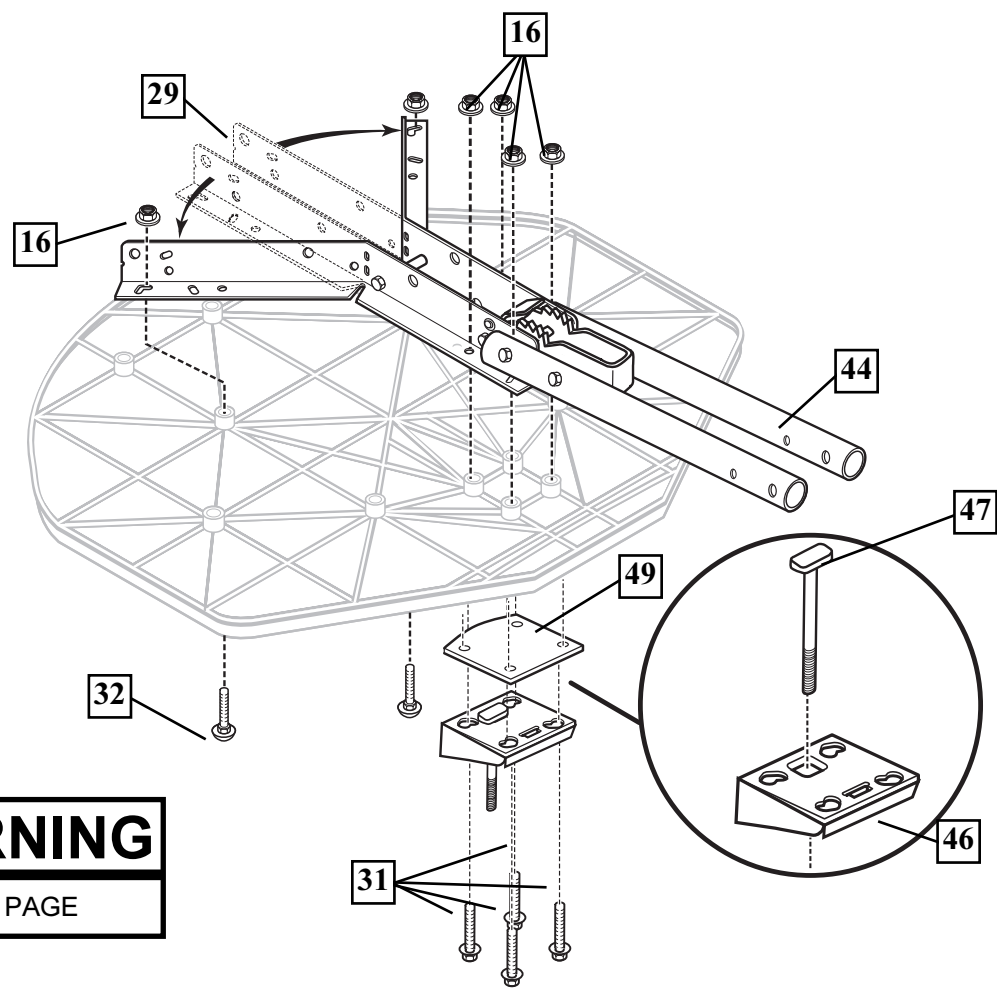


12.

**⚠ WARNING**  
SEE TEXT PAGE

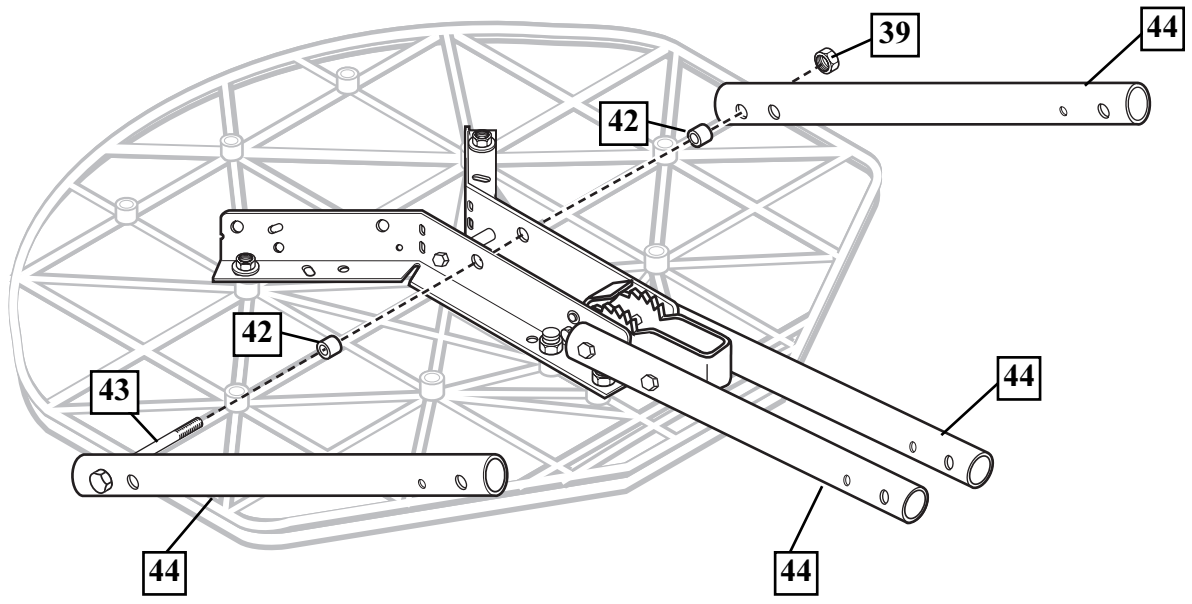


13.

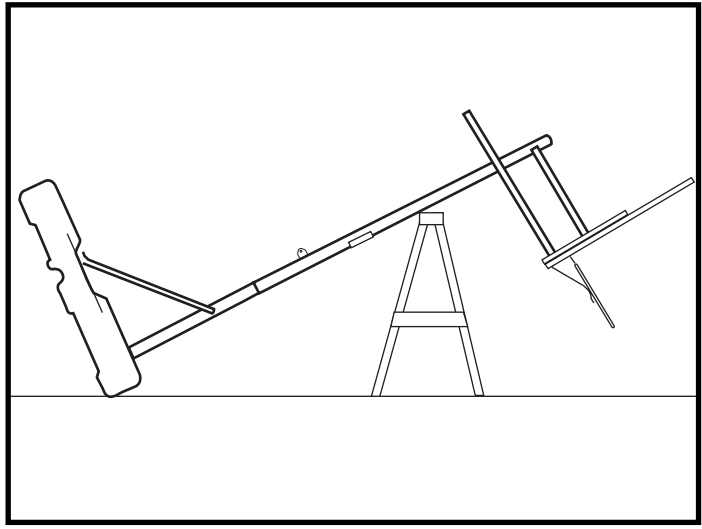
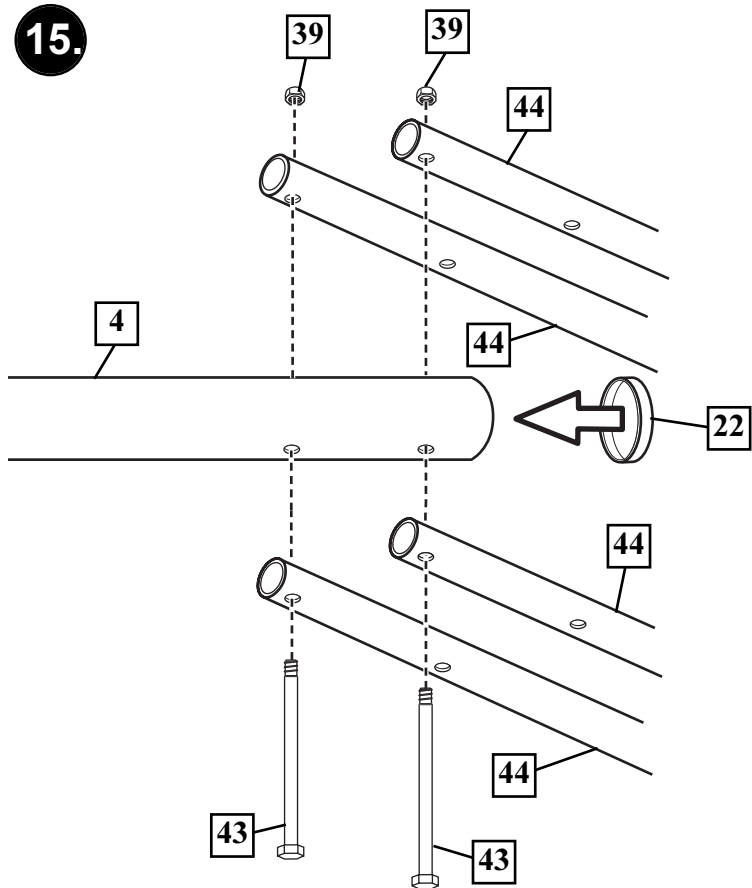


**! WARNING**  
SEE TEXT PAGE

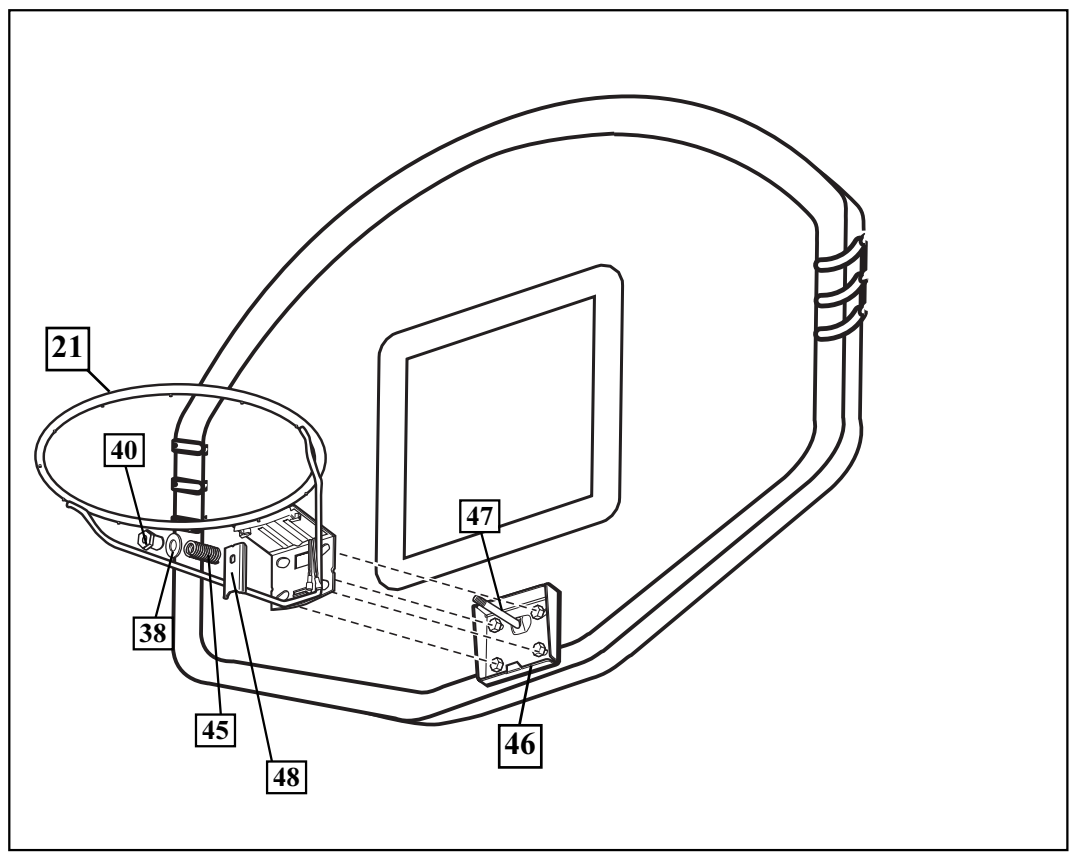
14.



15.



16.



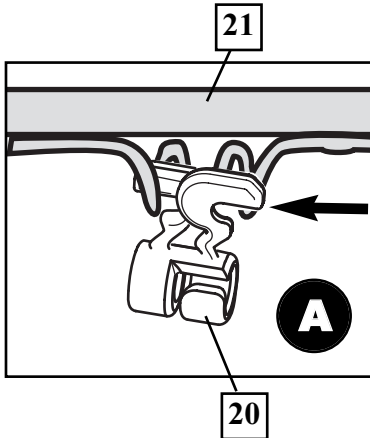
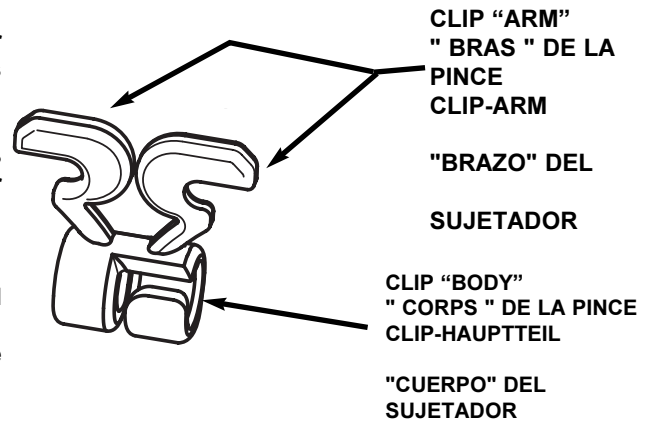
**17.** Install net clips. Installez les pinces du filet. Netzhalteklammern anbringen. Instale los sujetadores de la red.

**! WARNING:** Use of this product without proper installation of net clips, or when all net clips are not present could result in bodily harm. Be sure to follow directions carefully.

**AVERTISSEMENT :** L'utilisation de ce produit sans installer correctement ou toutes les pinces du filet risque de causer des blessures. Veillez à suivre scrupuleusement les instructions.

**WARNUNG:** Ein Gebrauch dieses Produkts ohne ordnungsgemäß angebrachte Netzhalteklammern bzw. ohne den Gebrauch der Netzhalteklammern kann Verletzungen nach sich ziehen. Die Anleitung genau befolgen.

**ADVERTENCIA:** Si este producto se usa con los sujetadores de la red incorrectamente instalados, o si no están todos presentes, se pueden ocasionar lesiones corporales. Asegúrese de seguir cuidadosamente las instrucciones.

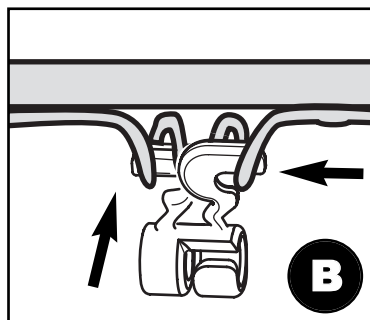


Insert one "arm" of clip (21) into ram (20) as shown. Twist "body" of clip slightly so that second "arm" slides over the top of the first "arm" as shown. Push in direction indicated by arrows.

Insérez un " bras " de la pince (21) dans l'éperon (20), comme illustré. Tournez légèrement le corps de la pince de sorte que le second bras glisse par-dessus le premier, comme illustré.

Einen Arm des Clips (21) wie gezeigt in die Spirale (20) einsetzen. Den Hauptteil des Clips etwas drehen, sodass der zweite Arm wie gezeigt oben über den ersten Arm geschoben werden kann.

Introduzca un "brazo" del sujetador (21) en el accionador (20) como se muestra. Tuerza ligeramente el "cuerpo" del sujetador de manera que el segundo "brazo" se deslice sobre el primer "brazo" como se muestra.

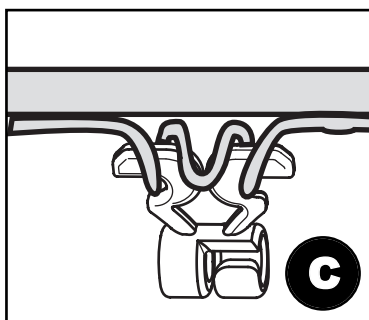


Push second "arm" back and into ram as shown.

Poussez dans le sens des flèches.

In die durch die Pfeile angezeigte Richtung schieben.

Empuje hacia la dirección que indican las flechas.



Twist "body" of clip slightly again to spread "arms" of clip. Clip "arms" must be flat and touching edge to edge as shown, not overlapping.

Tournez légèrement le corps de la pince une nouvelle fois pour en étaler les bras.

Den Hauptteil des Clips noch einmal leicht drehen, um die Arme des Clips zu spreizen.

Otra vez tuerza ligeramente el "cuerpo" del sujetador para abrir los "brazos" del sujetador.

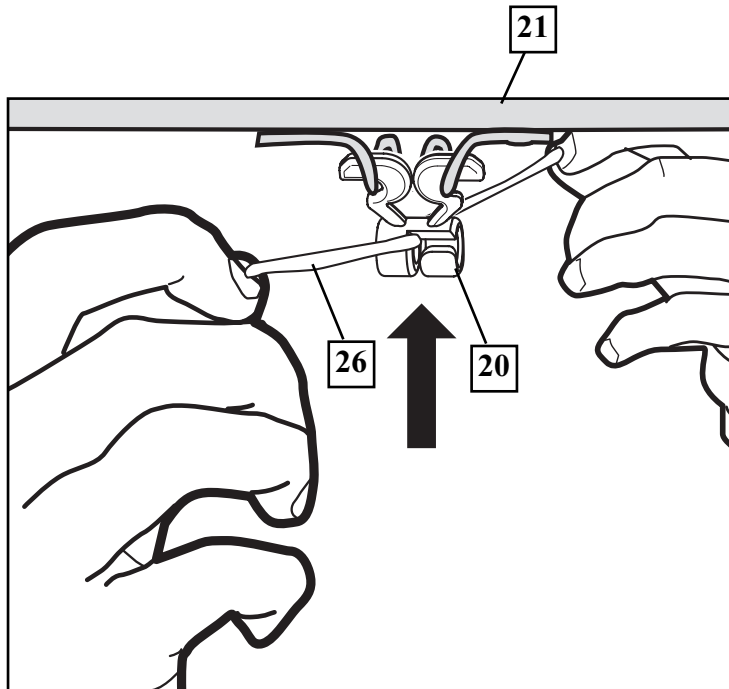
**18.**

Install net.

Installez le filet.

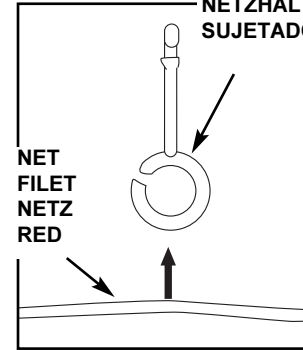
Das Netz anbringen

Instale la red.



**SIDE VIEW**  
VUE DE CÔTÉ  
SEITENANSICHT  
VISTA LATERAL

**NETCLIP**  
PINCE DE FILET  
NETZHALTEKLAMMER  
SUJETADOR DE LA RED

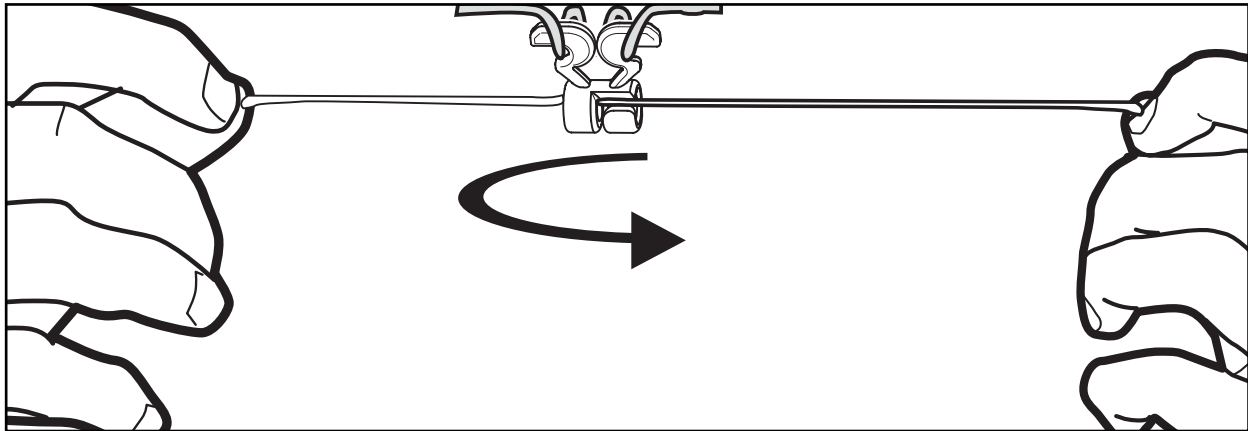


Insert net into bottom of clip as shown.

Insérez le filet dans la base de la pince, comme illustré.

Das Netz wie gezeigt unten in den Clip stecken.

Introduzca la red en la parte inferior del sujetador como se muestra.



Twist net until it snaps into position.  
Net must be centered through clip.

Tournez le filet jusqu'à ce qu'il s'enclenche en position.

Das Netz drehen, bis es einschnappt.

Tuerza la red hasta que quede conectada en su posición.

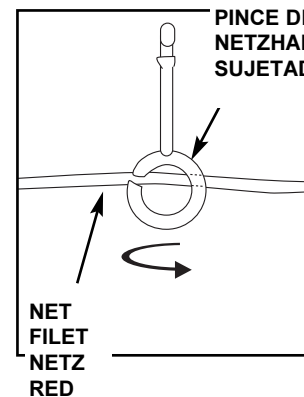
Le filet doit être centré dans la pince.

Das Netz muss im Clip zentriert werden.

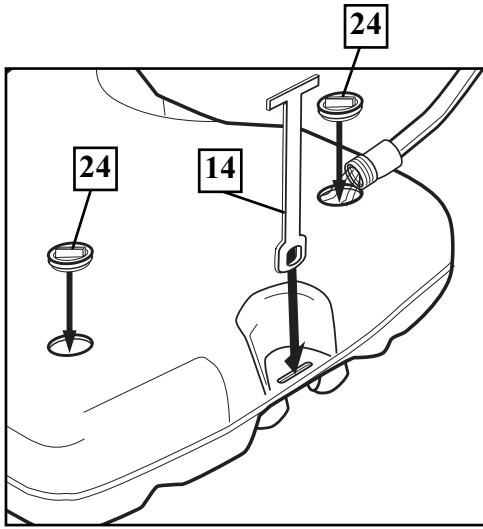
La red debe quedar centrada a través del sujetador.

**SIDE VIEW**  
VUE DE CÔTÉ  
SEITENANSICHT  
VISTA LATERAL

**NETCLIP**  
PINCE DE FILET  
NETZHALTEKLAMMER  
SUJETADOR DE LA RED

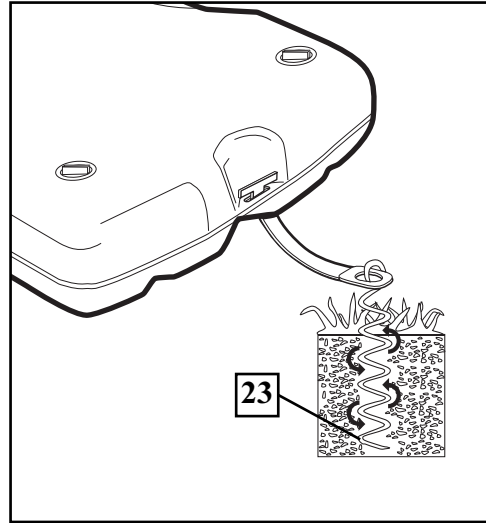


19.

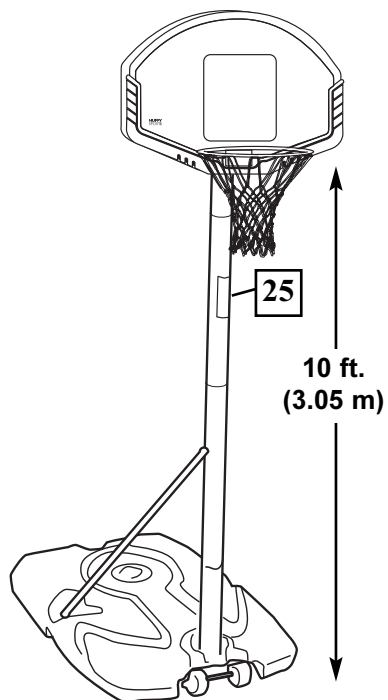


**▲ WARNING**  
SEE TEXT PAGE

**IMPORTANT!**  
(See Text Page)



20.





## Free Manuals Download Website

<http://myh66.com>

<http://usermanuals.us>

<http://www.somanuals.com>

<http://www.4manuals.cc>

<http://www.manual-lib.com>

<http://www.404manual.com>

<http://www.luxmanual.com>

<http://aubethermostatmanual.com>

Golf course search by state

<http://golfingnear.com>

Email search by domain

<http://emailbydomain.com>

Auto manuals search

<http://auto.somanuals.com>

TV manuals search

<http://tv.somanuals.com>