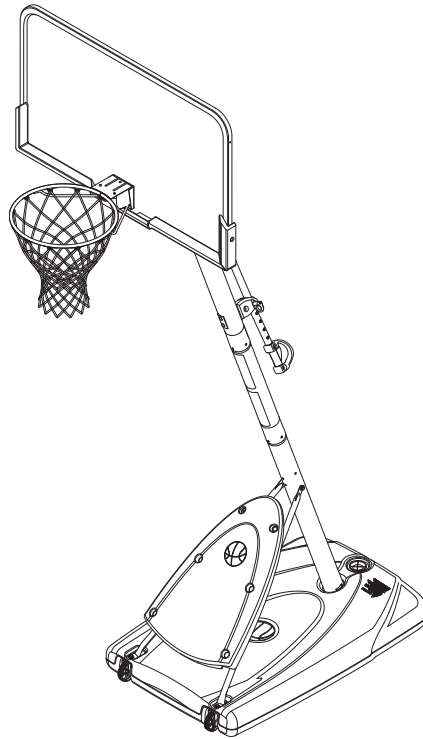


# Portable System Owners Manual

Customer Service Center

• N53 W24700 South Corporate Circle • Sussex, WI 53089 • U.S.A.



**Adult Assembly  
Required.**

**Write Model Number  
From Box Here:**

This manual, accompanied by sales receipt, should be saved and kept on hand as a convenient reference, as it contains important information about your model.

**! WARNING!**

READ AND UNDERSTAND OPERATOR'S MANUAL BEFORE USING THIS UNIT.

FAILURE TO FOLLOW OPERATING INSTRUCTIONS COULD RESULT IN INJURY OR DAMAGE TO PROPERTY.

REQUIRED TOOLS AND MATERIALS:		
<ul style="list-style-type: none"> <li> • 2 People</li> <li> • Tape Measure</li> <li> • Wood Board (scrap)</li> <li> • Sawhorse or Support Table</li> <li> • Hammer</li> <li> • Step Ladder 8 ft. (2.4m)</li> <li> • Safety Glasses</li> </ul>	<ul style="list-style-type: none"> <li>• (2 each) Wrenches  <div style="text-align: center;"> <p>1/2"    9/16"    3/4"</p> </div> </li> <li>AND/OR</li> <li>(2) Socket Wrenches and Sockets  <div style="text-align: center;"> <p>1/2"    9/16"    3/4"</p> </div> </li> <li>• Extension  <div style="text-align: center;"> </div> </li> <li>• Phillips-Head Screwdriver  <div style="text-align: center;"> </div> </li> </ul>	<ul style="list-style-type: none"> <li>• Garden Hose or Sand  <div style="text-align: center;"> <p>SAND (300 lb.) (136 kg)</p> </div> </li> <li>• Optional: Large &amp; Small Adjustable Wrenches  <div style="text-align: center;"> </div> </li> </ul>

Toll-Free Customer Service Number for U.S: 1-800-558-5234,

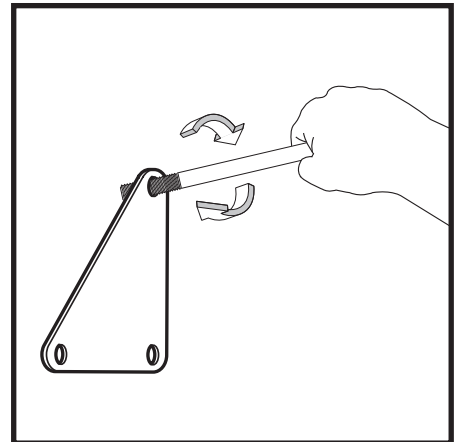
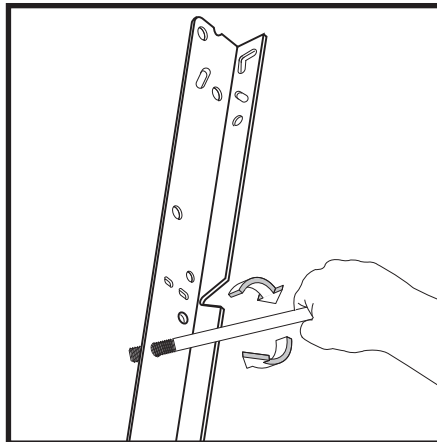
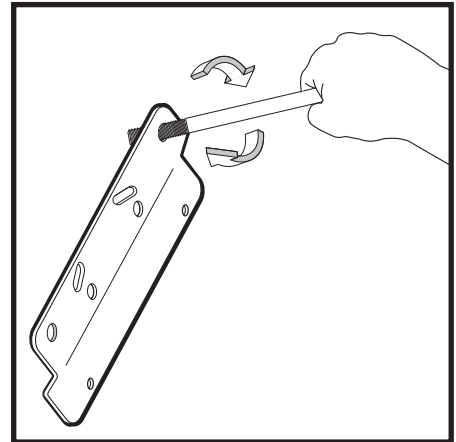
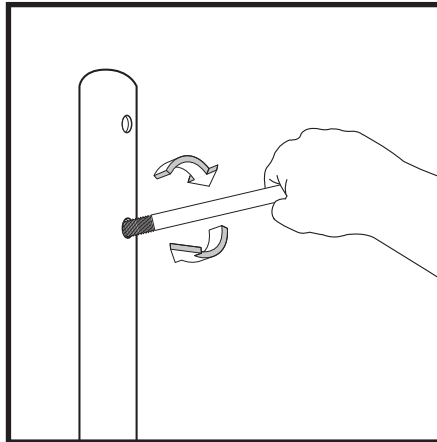
For Canada: 1-800-284-8339,

For Europe: 00 800 555 85234 (Sweden: 009 555 85234),

For Australia: 1-800-333 061

Internet Address: <http://www.huffysports.com>

# BEFORE YOU START!



To ensure optimal playability of backboard system, a close tolerance fit between the elevator components and hardware is required. Test-fit large bolts into large holes of elevator tubes, backboard brackets, and triangle plates. Carefully rock them in a circular motion to ream out any excess paint from holes if necessary.

**NOTE:** Not all items pictured are included with every model.



## WARNING

Read and understand warnings listed below before using this product.

Failure to follow these warnings may result in serious injury and/or property damage.

Owner must ensure that all players know and follow these rules for safe operation of the system.

- **DO NOT HANG** on the rim or any part of the system including backboard, support braces or net.
- During play, especially when performing dunk type activities, keep player's face away from the backboard, rim and net. Serious injury could occur if teeth/face come in contact with backboard, rim or net.
- Do not slide, climb, shake or play on base and/or pole.
- After assembly is complete, fill system completely with water or sand. Never leave system in an upright position without filling base with weight, as system may tip over causing injuries.
- When adjusting height or moving system, keep hands and fingers away from moving parts.
- Do not allow children to move or adjust system.
- During play, do not wear jewelry (rings, watches, necklaces, etc.). Objects may entangle in net.
- Surface beneath the base must be smooth and free of gravel or other sharp objects. Punctures cause leakage and could cause system to tip over.
- Keep organic material away from pole base. Grass, litter, etc. could cause corrosion and/or deterioration.
- Check pole system for signs of corrosion (rust, pitting, chipping) and repaint with exterior enamel paint. If rust has penetrated through the steel anywhere, replace pole immediately.
- Check system before each use for proper ballast, loose hardware, excessive wear and signs of corrosion and repair before use.
- Check system before each use for instability.
- Do not use system during windy and/or severe weather conditions; system may tip over. Place system in the storage position and/or in an area protected from the wind and free from personal property and/or overhead wires.
- Never play on damaged equipment.
- When moving system, use caution to keep mechanism from shifting.
- Keep pole top covered with cap at all times.
- Do not allow water in tank to freeze. During sub-freezing weather add 2 gallons of non-toxic antifreeze, sand or empty tank completely and store. (Do not use salt.)
- While moving system, do not allow anyone to stand or sit on base or have added ballasting on base.
- Do not leave system unsupervised or play on system when wheels are engaged for moving.
- Use Caution when moving system across uneven surfaces. System may tip over.
- Use extreme caution if placing system on sloped surface. System may tip over more easily.
- See instruction manual for proper installation and maintenance.

**SPALDING**  
In the U.S.: 1-800-558-5234  
In Canada: 1-800-284-8339

**HYDRA-RIB**  
In the U.S.: 1-800-334-9111

**RUSSELL**  
ATHLETIC

**SURE SHOT**  
In the U.S.: 1-888-713-5488

**HUFFY SPORTS**  
In the U.S.: 1-800-558-5234  
In Canada: 1-800-284-8339

ID#: 561000 01/06



# SAFETY INSTRUCTIONS



FAILURE TO FOLLOW THESE SAFETY INSTRUCTIONS MAY RESULT IN SERIOUS INJURY OR PROPERTY DAMAGE AND WILL VOID WARRANTY.

*Owner must ensure that all players know and follow these rules for safe operation of the system.*

To ensure safety, do not attempt to assemble this system without following the instructions carefully. Check entire box and inside all packing material for parts and/or additional instruction material. Before beginning assembly, read the instructions and identify parts using the hardware identifier and parts list in this document. Proper and complete assembly, use, and supervision are essential for proper operation and to reduce the risk of accident or injury. A high probability of serious injury exists if this system is not installed, maintained, and operated properly.

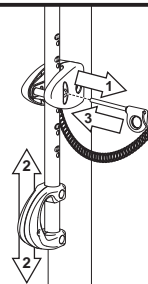
- If using a ladder during assembly, use extreme caution.
- Two (2) capable adults are recommended for this operation.
- Check base regularly for leakage. Slow leaks could cause system to tip over unexpectedly.
- Seat the pole sections properly (if applicable). Failure to do so could allow the pole sections to separate during play and/or transport of the system.
- Climate, corrosion, or misuse could result in system failure.
- Minimum operational height is 6' 6" (1.98 m) to the bottom of backboard.
- This equipment is intended for home recreational use only and NOT excessive competitive play.
- Read and understand the warning label affixed to pole.
- The life of your basketball pole depends on many conditions. The climate, placement of the pole, location of the pole, exposure to corrosives such as pesticides, herbicides, or salts are all important.
- If technical assistance is required, contact Customer Service.
- Adult supervision is recommended when adjusting height.

*Most injuries are caused by misuse and/or not following instructions.  
Use caution when using this system.*

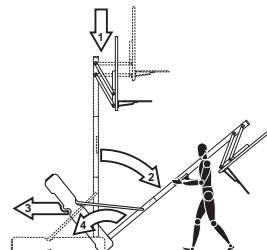
## HEIGHT ADJUSTMENT

TO ADJUST BACKBOARD:

1. While holding handle, remove pin.
2. Move elevator up or down to desired height.
3. Replace pin full length to lock system at desired height.



## MOVING SYSTEM



1. Adjust basketball backboard height to lowest position.
2. While holding pole, rotate basketball system forward until wheels engage with ground.
3. Move basketball system to desired location.
4. Carefully rotate basketball system upright.
5. Check system for stability.

511679 05/05



**Questions or Missing Parts?**

**DON'T go back to store!**

**Call TOLL-FREE Customer Service  
Number listed on the front page!**

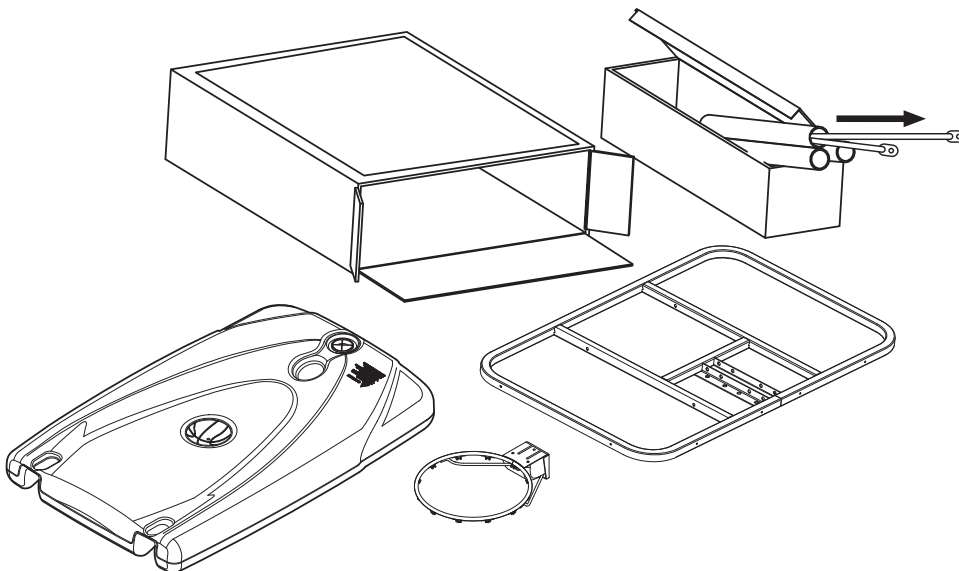
### **NOTICE TO ASSEMBLERS**

*Adult Assembly Required. Dispose of ALL packaging materials promptly.*

**ALL basketball systems, including those used for DISPLAYS, MUST be assembled and ballasted with sand or water according to instructions. Failure to follow instructions could result in SERIOUS INJURY. It is NOT acceptable to devise a makeshift weight system.**

### **IMPORTANT!**

**Remove all contents from boxes.  
Be sure to check inside pole sections;  
hardware and additional parts are packed inside.**

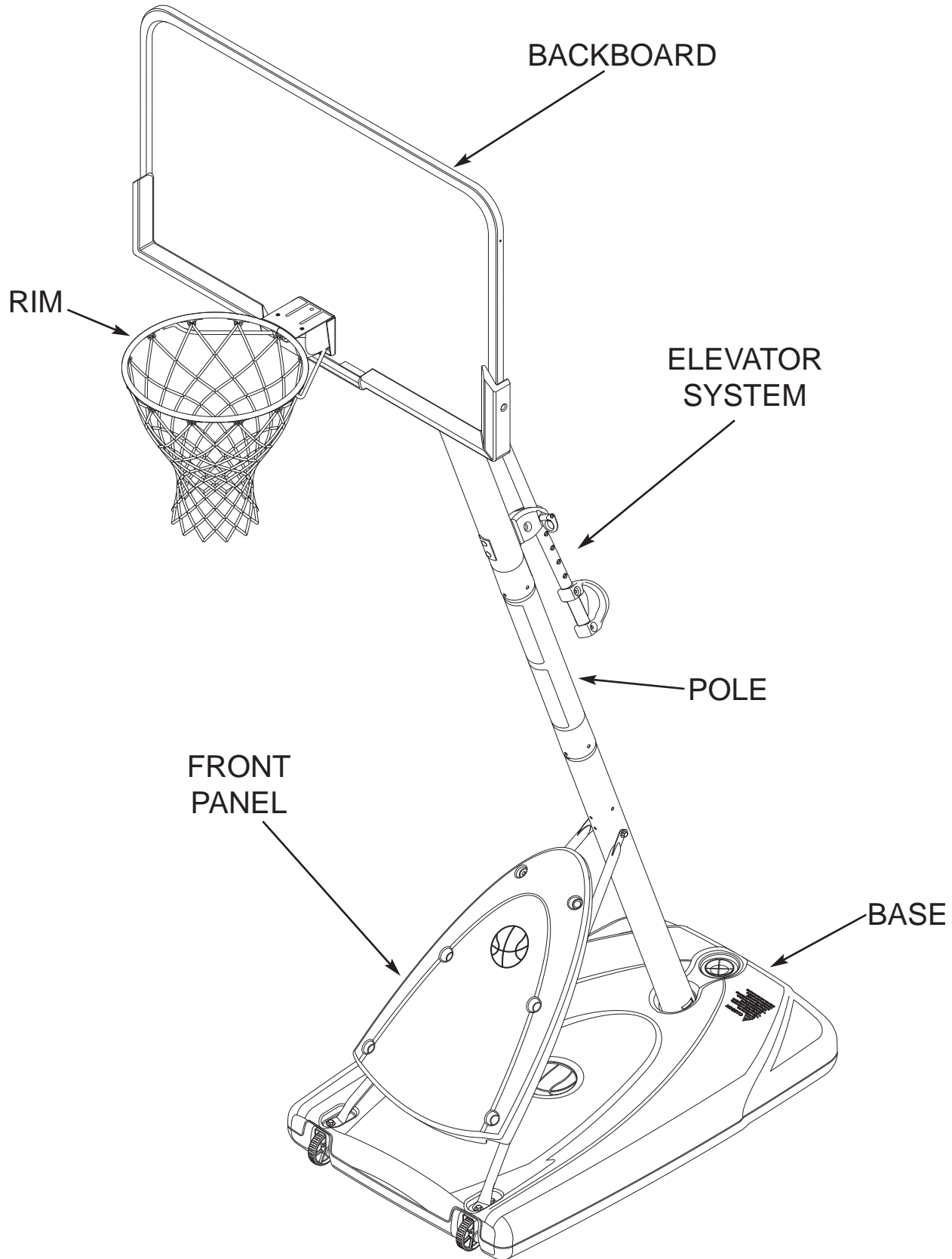


**WARNING:** IF YOUR SYSTEM IS EQUIPPED WITH AN ACRYLIC BACKBOARD, EXAMINE BACKBOARD FOR ANY DAMAGE THAT MAY HAVE OCCURRED DURING SHIPMENT. CRACKS IN THE BACKBOARD COULD RESULT IN SUDDEN BREAKAGE. IF BACKBOARD IS DAMAGED IN ANY WAY PRIOR TO OR AFTER ASSEMBLY, CALL TOLL-FREE NUMBER:  
U.S. 1-800-558-5234; CANADA: 1-800-284-8339; <http://www.huffysports.com>

#### **PRODUCT REGISTRATION:**

Please remember to complete your product registration form on-line at:  
[www.huffysports.com/customer\\_support/product\\_registration](http://www.huffysports.com/customer_support/product_registration).


*Get to know the basic parts of your basketball system...*



# PARTS LIST - See Hardware Identifier

<u>Item</u>	<u>Qty.</u>	<u>Part No.</u>	<u>Description</u>	<u>Item</u>	<u>Qty.</u>	<u>Part No.</u>	<u>Description</u>
<input type="checkbox"/>	1	266000	Base	<input type="checkbox"/>	33	204837	Spring, Counter Balance
<input type="checkbox"/>	2	908184	Strut, Pole to Base	<input type="checkbox"/>	34		Rim
<input type="checkbox"/>	3	804833	Exacta Height Assembly	<input type="checkbox"/>	35	904808	Elevator Tube, Upper - Short
<input type="checkbox"/>	4	FR908006	Top Pole Section	<input type="checkbox"/>	36	201682	Spacer, .530 I.D. x 1.875
<input type="checkbox"/>	5	FR918107	Middle Pole Section	<input type="checkbox"/>	37	900867	Plate, Triangle, (Black)
<input type="checkbox"/>	6	FR908179	Bottom Pole Section	<input type="checkbox"/>	38	207103	Cap, Pole Top
<input type="checkbox"/>	7	108183	Wheel Bracket	<input type="checkbox"/>	39	200520	Screw, #8 x 3/4 Long
<input type="checkbox"/>	8	266200	Wheel, 4 Inch	<input type="checkbox"/>	40	202605	Bolt, Hex, 1/2-13 x 4.25 Long
<input type="checkbox"/>	9	108182	Rod, Axle	<input type="checkbox"/>	41	266300	Cap, Base
<input type="checkbox"/>	10	203099	Nut, Ny-lock, 5/16-18	<input type="checkbox"/>	42	206990	Reinforcement Bracket
<input type="checkbox"/>	11	203063	Nylon Insert Lock Nut, 3/8-16	<input type="checkbox"/>	43		Net
<input type="checkbox"/>	12	202662	Bolt, Hex Head, 5/16-18 x 4-1/2 Long	<input type="checkbox"/>	44	205528	Bolt, Hex Flange, 5/16-18 x 1 Long
<input type="checkbox"/>	13	206938	Pushnut, 7/16 Shaft Diameter	<input type="checkbox"/>	45	203309	Washer, Flat, 3/8
<input type="checkbox"/>	14	7*	203100 Hex Flange Nut 5/16-18	<input type="checkbox"/>	46	511679	Label, Height Adjustment and Moving
<input type="checkbox"/>	15	204832	Bracket, Pole Mount			FR511679	
<input type="checkbox"/>	16	203053	Carriage Bolt, 5/16-18 x 4 Long	<input type="checkbox"/>	47	203738	Carriage Bolt, 5/16-18 x 1.75 Long
<input type="checkbox"/>	17	203232	Washer, Flat, 3/4" O.D.	<input type="checkbox"/>	48	200982	Nut, Locking, 5/16-18
<input type="checkbox"/>	18	204962	Bolt, Hex Head, 5/16-18 x .625 Long	<input type="checkbox"/>	49	108181	Plate, Pole Mounting
<input type="checkbox"/>	19	206360	Bolt, Hex Head, 3/8-16 x 2-5/8 Long	<input type="checkbox"/>	50	203331	Bolt, Hex Head, 3/8-16 x 1.5 Long
<input type="checkbox"/>	20	204858	Spacer, Plastic Biscuit	<input type="checkbox"/>	51	203218	Washer, Flat, 5/16
<input type="checkbox"/>	21	204857	Spacer, Metal 1/2" O.D. x 1.44 Long	<input type="checkbox"/>	52	204961	Bolt, Hex Head, 3/8-16 x 0.625 Long
<input type="checkbox"/>	22	204859	Cover, Pin Slide	<input type="checkbox"/>	53	200516	Cover, Bolt End, Vinyl
<input type="checkbox"/>	23	203038	Carriage Bolt, 5/16-18 x 2-3/4 Long	<input type="checkbox"/>	54	900033	Bracket, Slam Jam
<input type="checkbox"/>	24	204850	Pin, Locking	<input type="checkbox"/>	55	203796	Bolt, Tee, 3/8-16, 5" Long
<input type="checkbox"/>	25	204853	Lanyard, Black Coil	<input type="checkbox"/>	56	200318	Bracket, Reinforcement, Slam Jam
<input type="checkbox"/>	26	203527	Spacer, .530 I.D. x 1.5 Long	<input type="checkbox"/>	57	203472	Spring, Rim
<input type="checkbox"/>	27	908256	Bracket, Backboard Support	<input type="checkbox"/>	58	203795	Nut, Special, 3/8-16
<input type="checkbox"/>	28	266100	Cover, Front	<input type="checkbox"/>	59	203470	Washer, Flat, 1.5 O.D.
<input type="checkbox"/>	29	206244	Bolt, Hex Head, 1/2-13 x 8 Long	<input type="checkbox"/>	60	1 200503	Cover, Black OR
<input type="checkbox"/>	30	201642	Spacer, Plastic, .530 I.D. x .625 Long			200504	Cover, Red
<input type="checkbox"/>	31	206340	Lock Nut, Hex 1/2-13	<input type="checkbox"/>	61	1 202795	Logo, NBA
<input type="checkbox"/>	32	904820	Elevator Tube, Lower - Long				

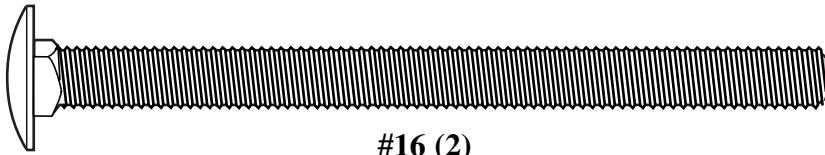
\* YOU MAY HAVE EXTRA PARTS WITH THIS MODEL.



## NOTE

Hardware kit is designed for more than one style of basketball system. Not all hardware will be used.

# HARDWARE IDENTIFIER (BOLTS & SCREWS)



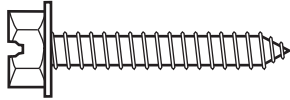
#16 (2)



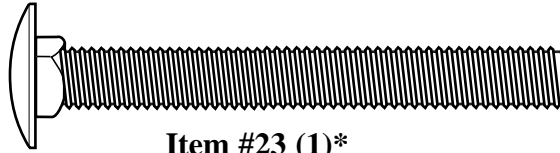
#19 (2)



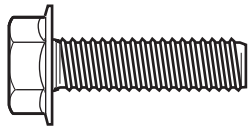
#29 (6)



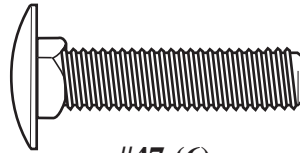
#63 (6)



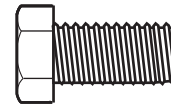
Item #23 (1)\*



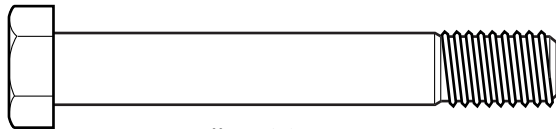
#44 (4)\*



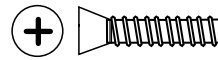
#47 (6)



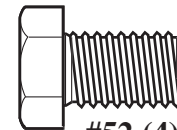
#18 (4)



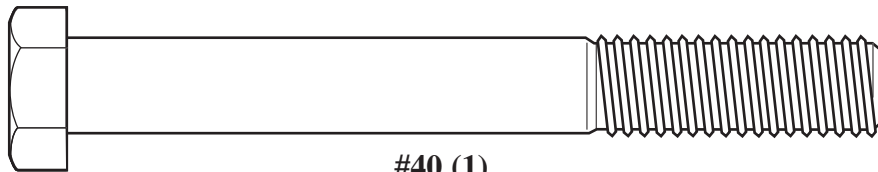
#19 (2)



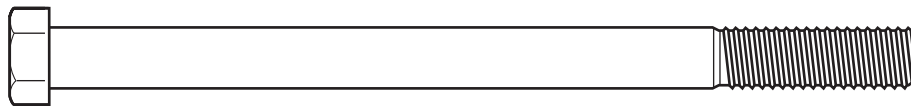
#39 (2)



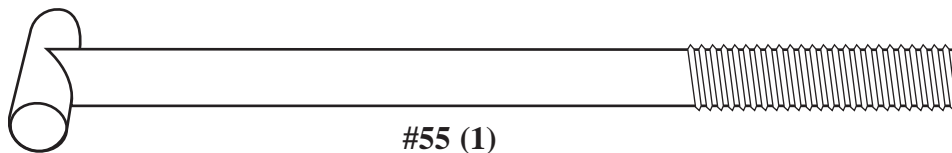
#52 (4)



#40 (1)



#12 (1)

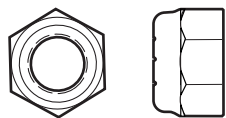


#55 (1)

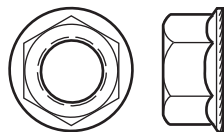
\* You may have extra parts with this model.



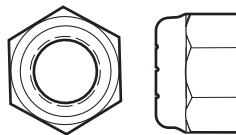
# HARDWARE IDENTIFIER (NUTS & WASHERS)



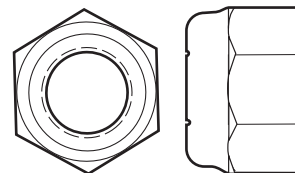
#10 (1)



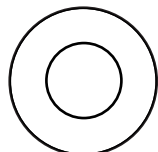
#14 (7)\*



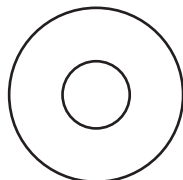
#11 (6)



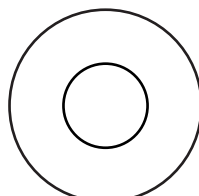
#31 (7)



#17 (4)



#51 (6)



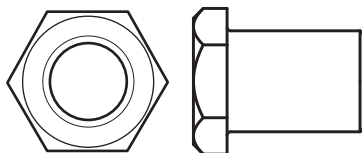
#45 (4)\*



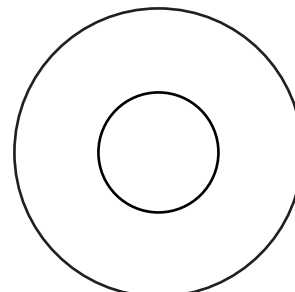
#48 (6)



#64 (6)

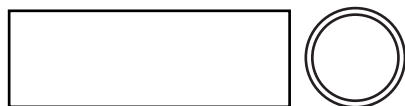


#58 (1)

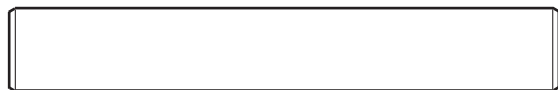


#59 (1)

# HARDWARE IDENTIFIER (STEEL SPACERS)



#21 (2)



#9 (2)



#13 (1)

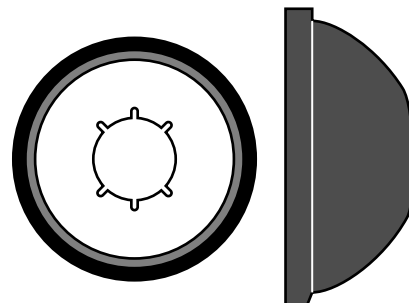
# HARDWARE IDENTIFIER (PLASTIC SPACERS CAPS & CLIPS)



#30 (4)



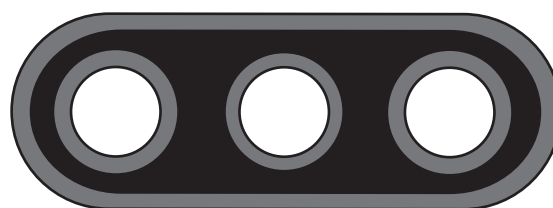
#53 (1)



#13 (4)



#26 (4)

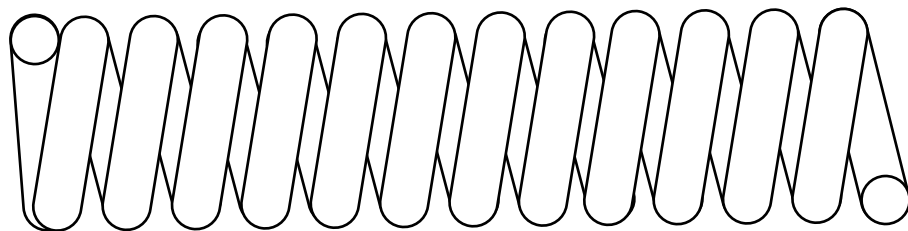


#20 (2)

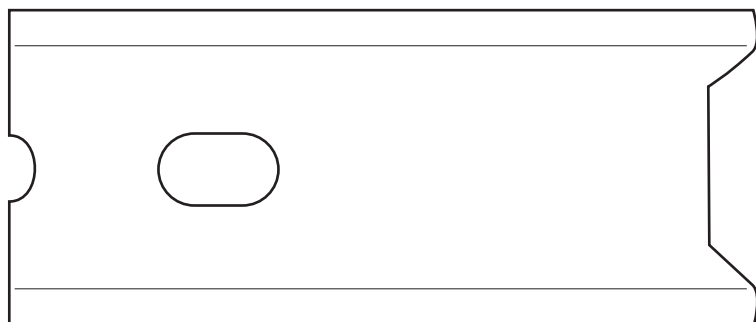


#36 (2)

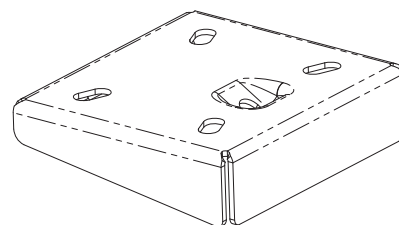
# HARDWARE IDENTIFIER (OTHER)



#57 (1)



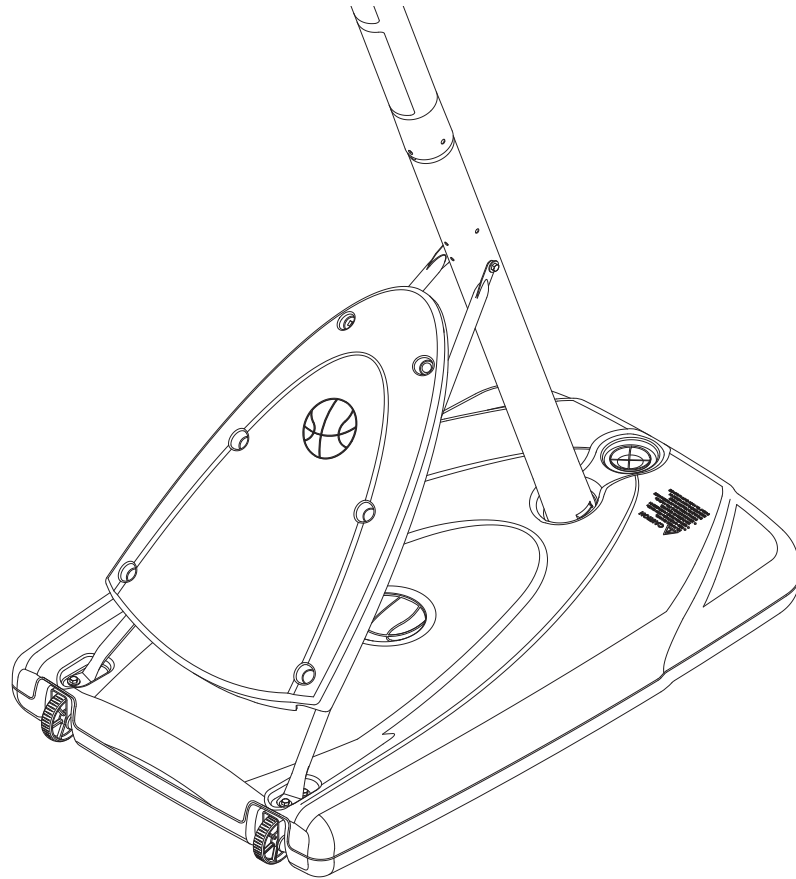
#56 (1)



#54 (1)

## SECTION A: ASSEMBLE THE BASE

This is what your system will look like when you've finished this section.

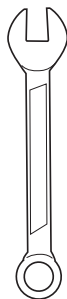


### TOOLS REQUIRED FOR THIS SECTION

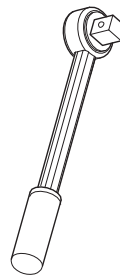
**Phillips-Head  
Screwdriver**



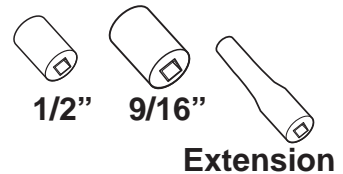
**Wrenches:  
(1) 1/2" and (1) 9/16"**



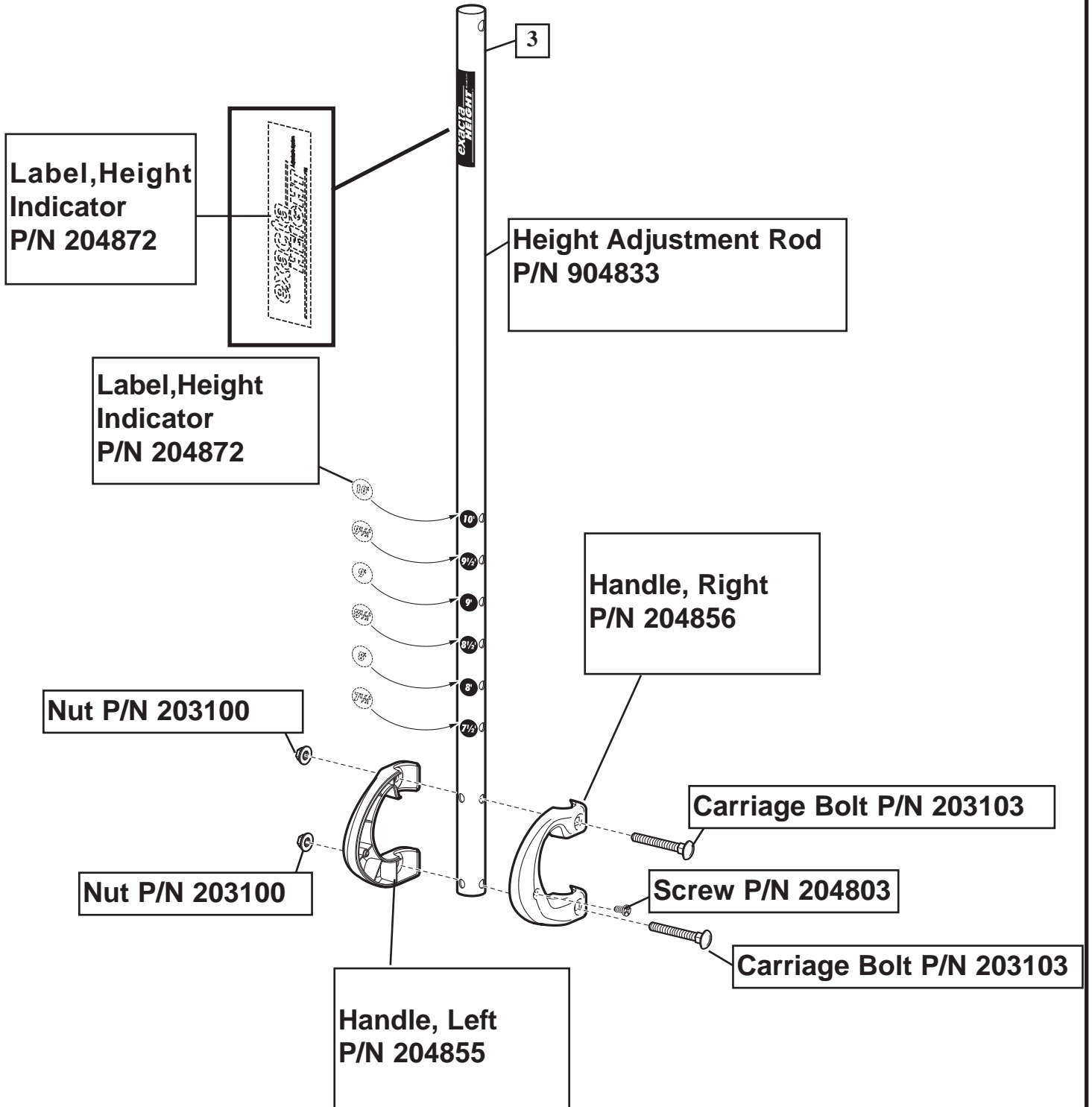
**And/Or:**



**(2) Socket Wrenches  
and Sockets**



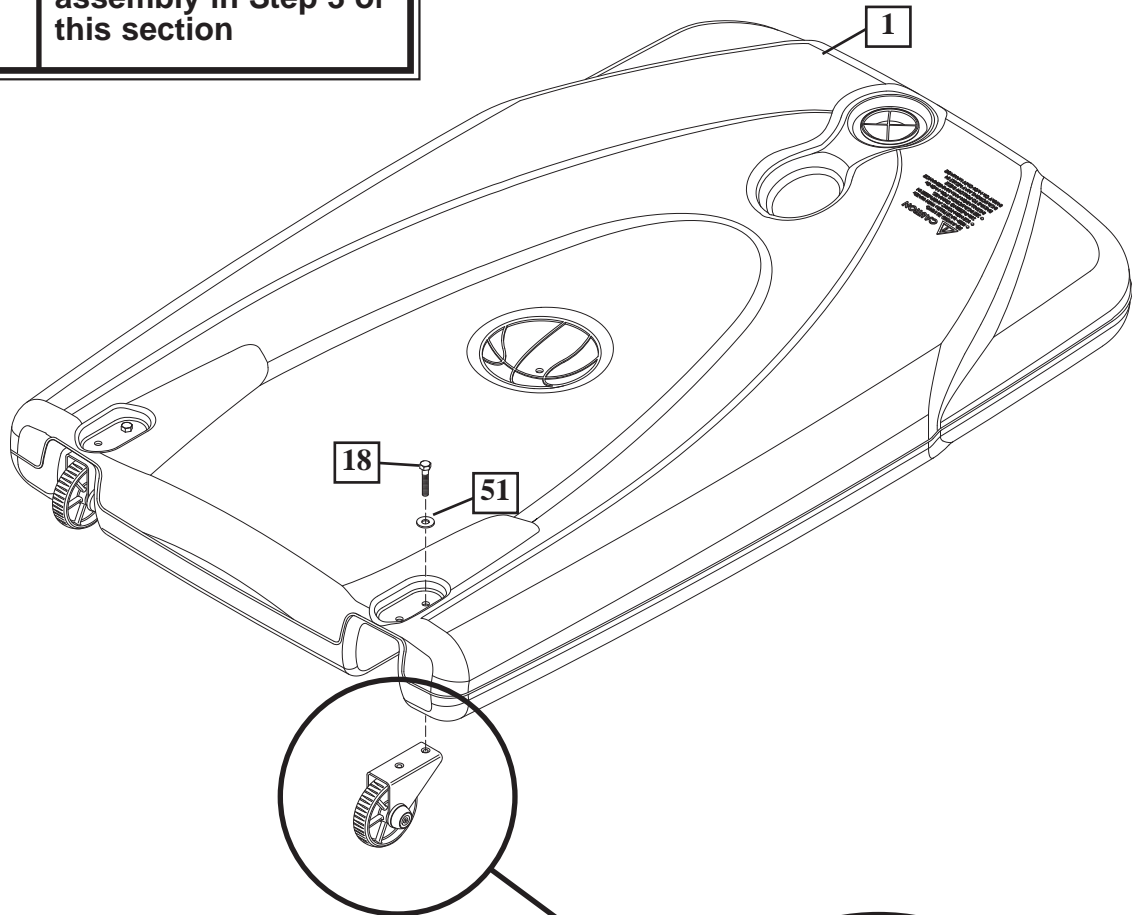
1. Check the following pre-assembled handle areas for tightness: **Screw P/N 204803, Nut P/N 203100, Carriage Bolts P/N 203103.**



2.

Complete wheel assembly as shown in Figure A. Secure wheel bracket (7), wheel (8), axle (9), and push nuts (13) to the tank (1) with a single bolt (18) and washer (51). Repeat procedure for opposite wheel.

	<p><b>NOTE:</b></p> <p>Do not install both bolts into the wheel assembly at this time. The front bolt will be installed during strut assembly in Step 3 of this section</p>
--	---



<p><b>NOTE:</b></p>	
	<p><b>TO INSTALL SECOND PUSHNUT:</b></p> <ul style="list-style-type: none"><li>• Assemble Pushnut, Wheels, Axle, And Wheel Bracket As Shown.</li><li>• Support Pushnut/Axle From The End With A Block Of Wood To Install The Second Pushnut Onto The Axle.</li></ul>

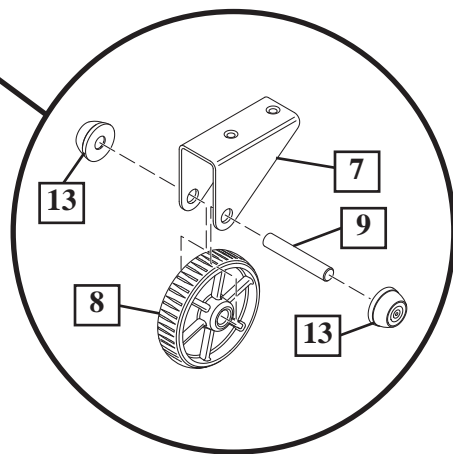
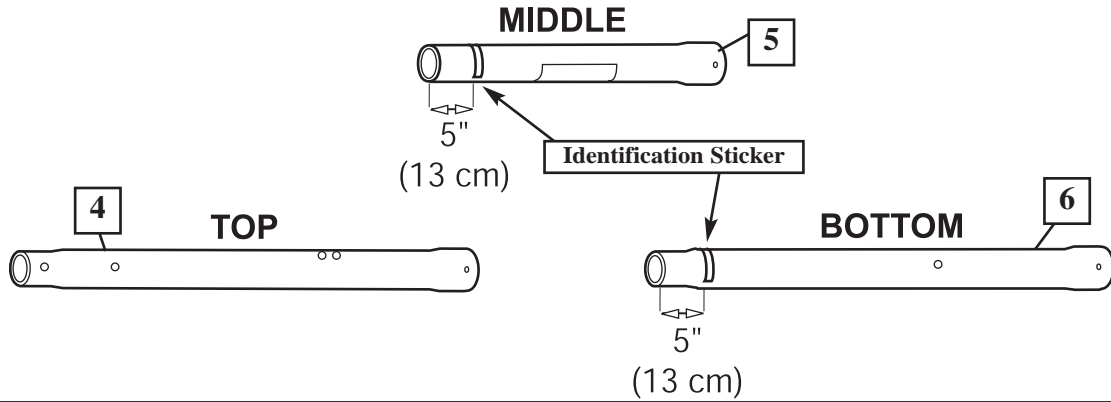


Fig. A

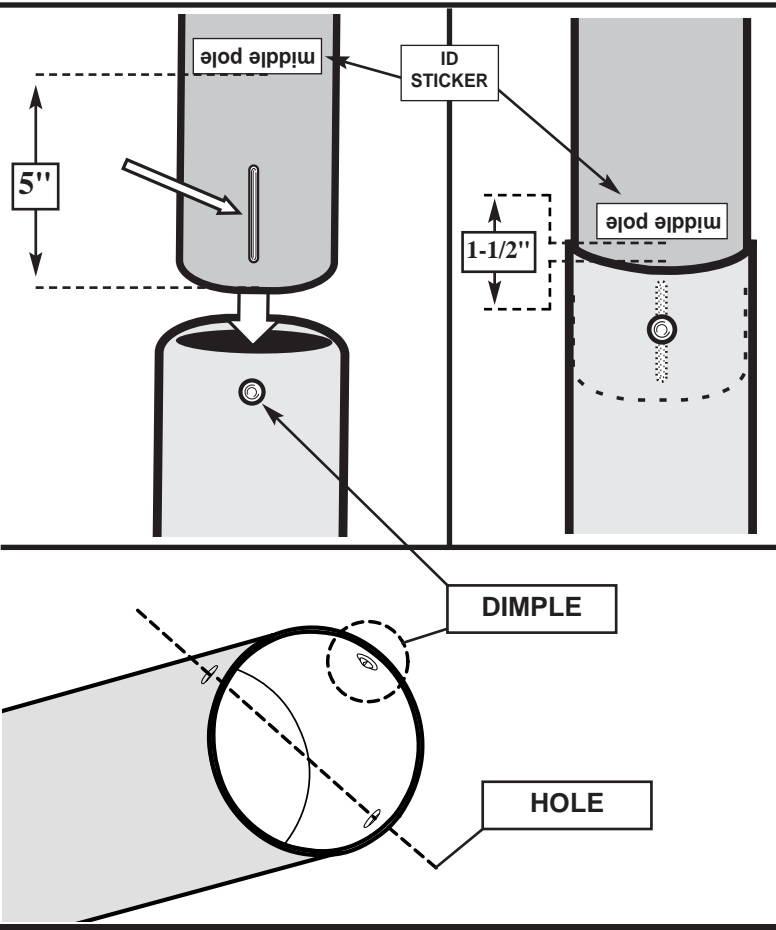
**3.** Identify pole sections.



**4.** While maintaining alignment, bounce middle pole section (5) into top section (4) using a wood scrap as shown until the top pole no longer moves toward the pole identification sticker on the middle pole.

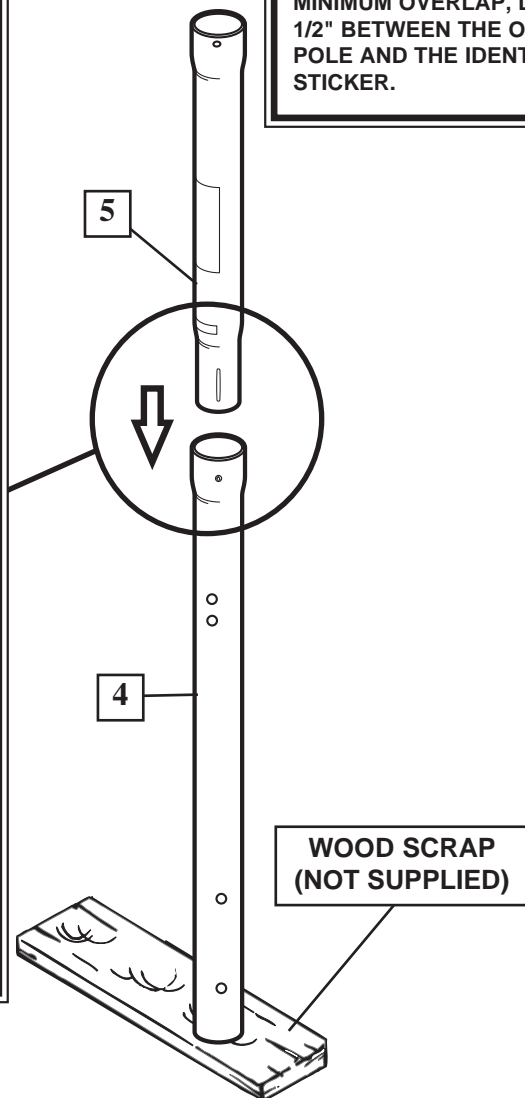
**IMPORTANT!**

Align dimple of top pole section (4) into trough of middle pole section (5) as shown.



**CAUTION!**

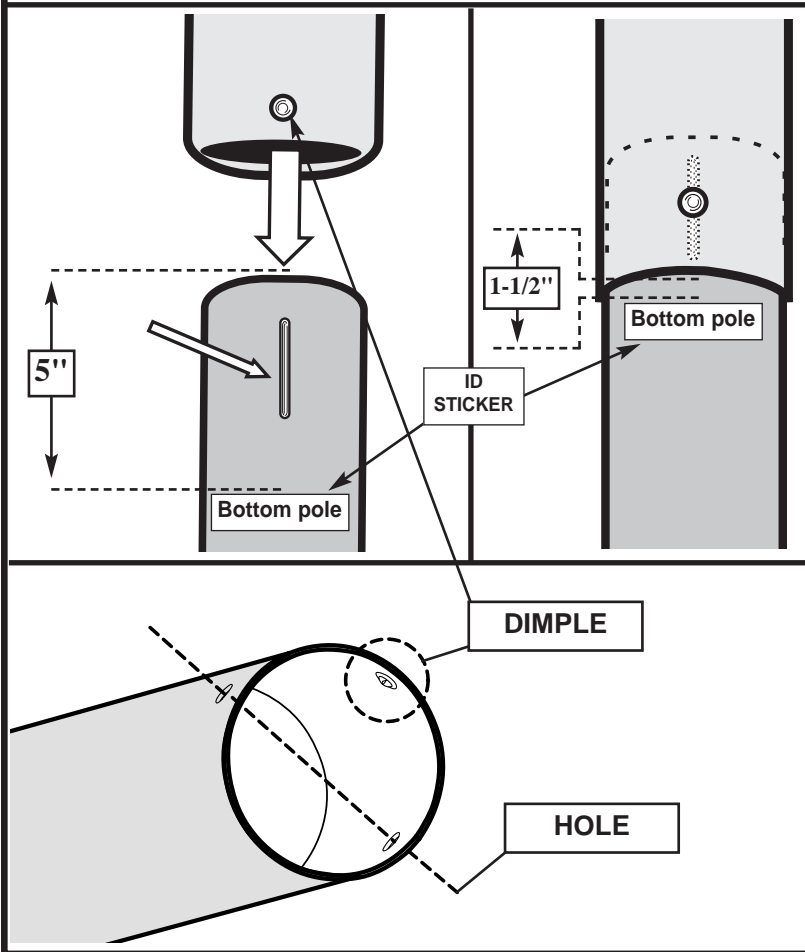
THE IDENTIFICATION STICKER IS LOCATED 5" FROM THE END OF THE POLE. WHEN PROPERLY POUNDED TOGETHER, THE POLE SECTIONS SHOULD HAVE A 3-1/2" MINIMUM OVERLAP, LEAVING 1-1/2" BETWEEN THE OVERLAPPING POLE AND THE IDENTIFICATION STICKER.



5. Bounce top and middle pole assembly (4 and 5) onto bottom pole section (6) using a wood scrap as shown. Bounce until the top and middle pole assembly no longer moves toward the pole identification mark on the bottom pole.

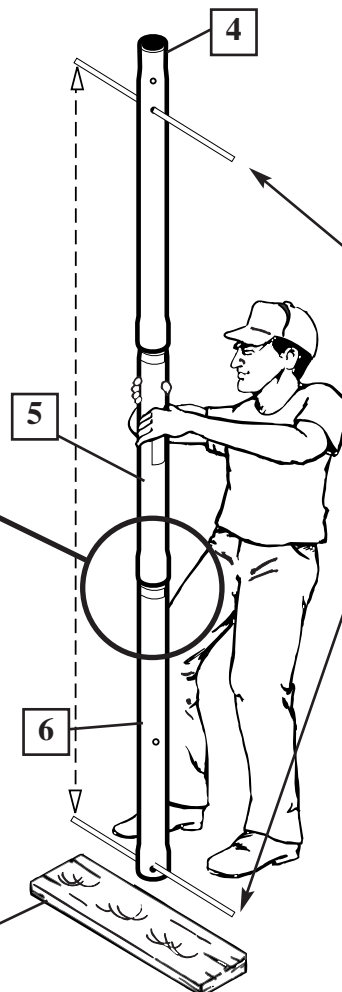
## IMPORTANT!

Align dimple of middle pole section (5) into trough of bottom pole section (6) as shown.



## CAUTION!

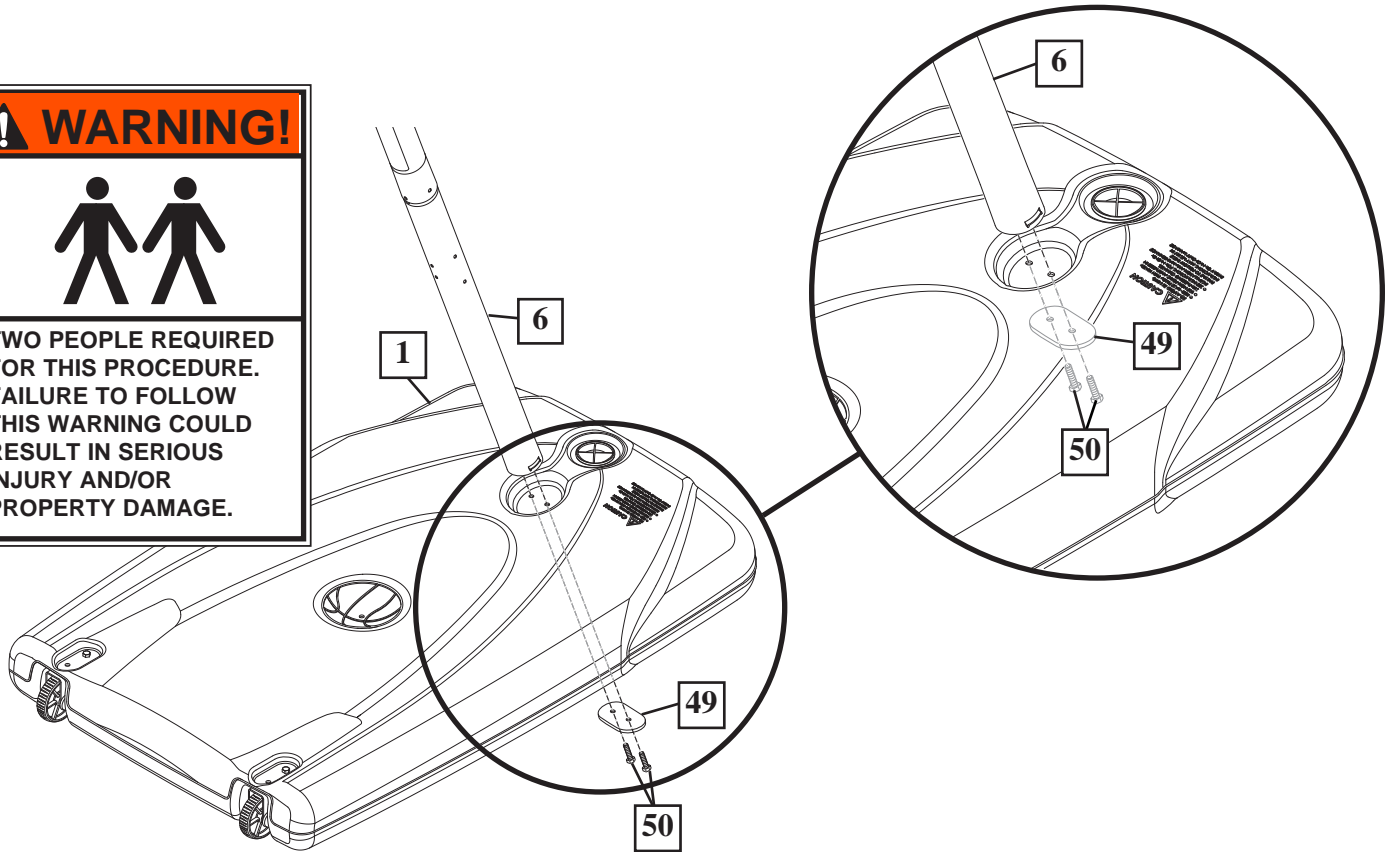
THE IDENTIFICATION STICKER IS LOCATED 5" FROM THE END OF THE POLE. WHEN PROPERLY POUNDED TOGETHER, THE POLE SECTIONS SHOULD HAVE A 3-1/2" MINIMUM OVERLAP, LEAVING 1-1/2" BETWEEN THE OVERLAPPING POLE AND THE IDENTIFICATION STICKER.



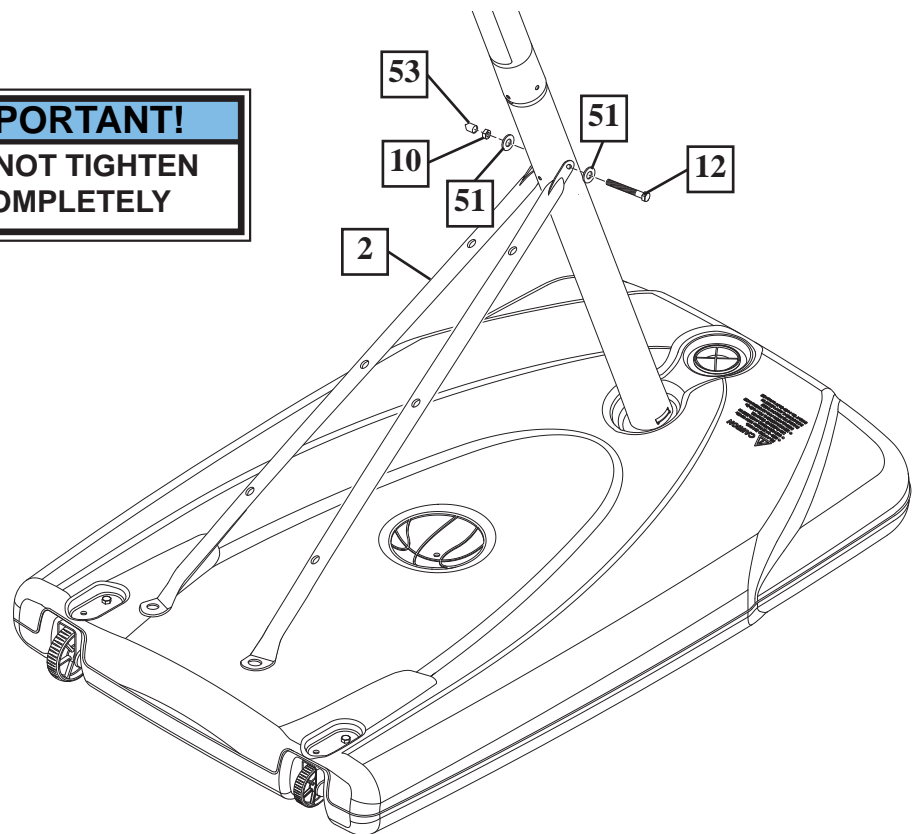
RODS SHOWN ARE FOR VISUAL REPRESENTATION OF ALIGNMENT AND ARE NOT SUPPLIED WITH THE HARDWARE

WOOD SCRAP  
(NOT SUPPLIED)

6. Attach pole assembly to base (1) as shown. Secure pole assembly to tank using bolts (50) and pole mounting bracket (49) as shown.

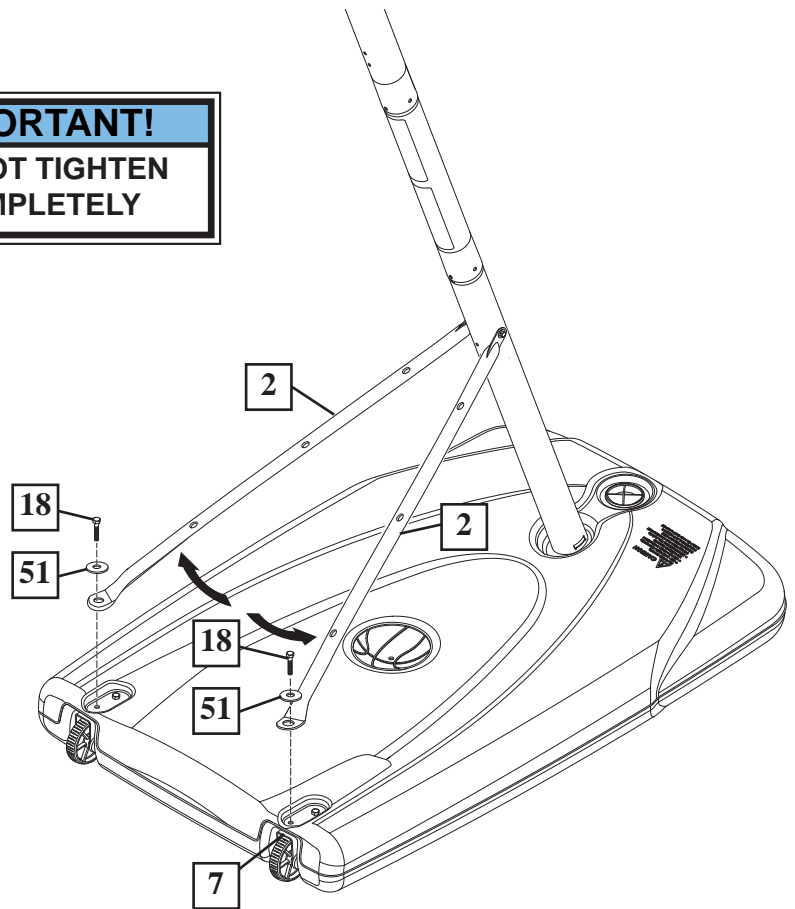
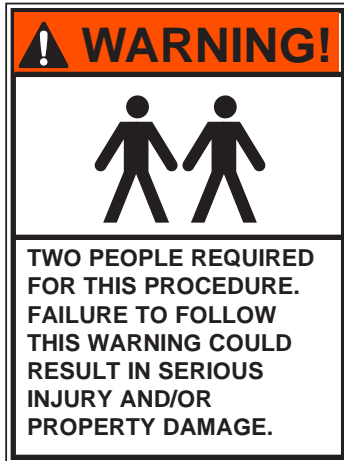


7. Secure tank struts (2) to pole as shown. Place cover (53) over exposed end of bolt as shown.

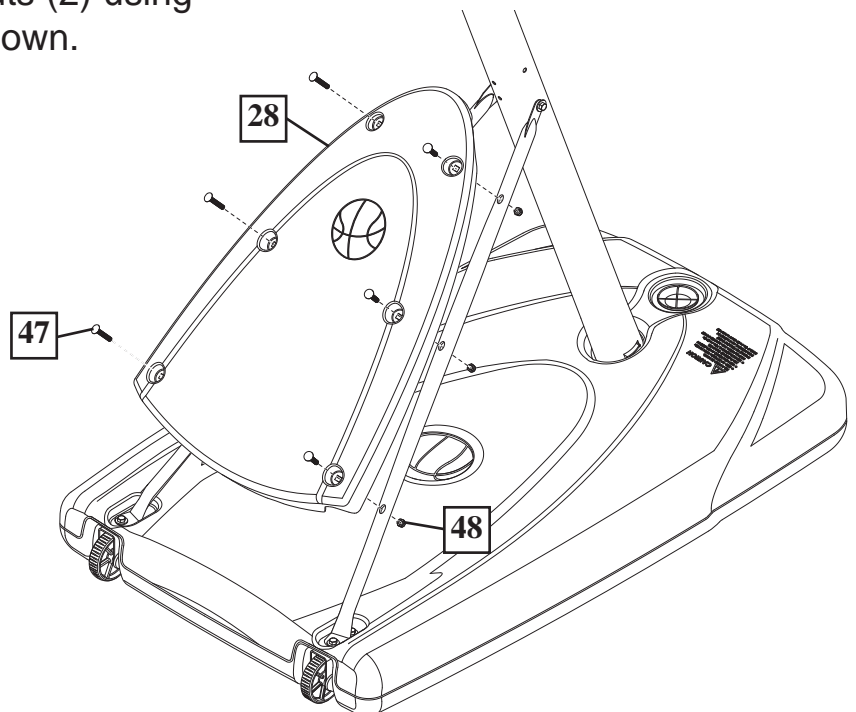




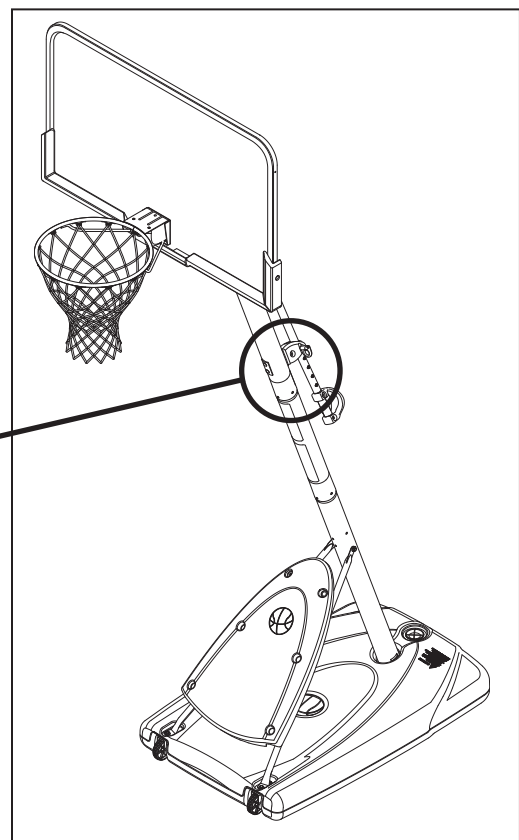
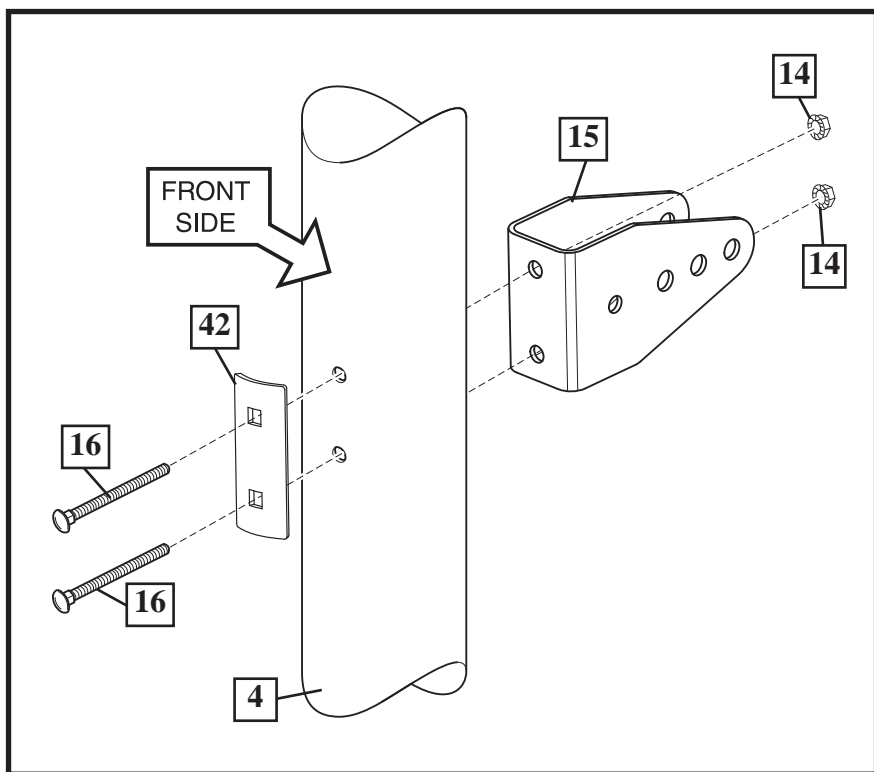
8. Rotate non-secured ends of tank struts (2) outward to mounting holes in tank as shown. Secure ends of tank struts (2) to wheel bracket (7), as shown. Repeat for opposite side.



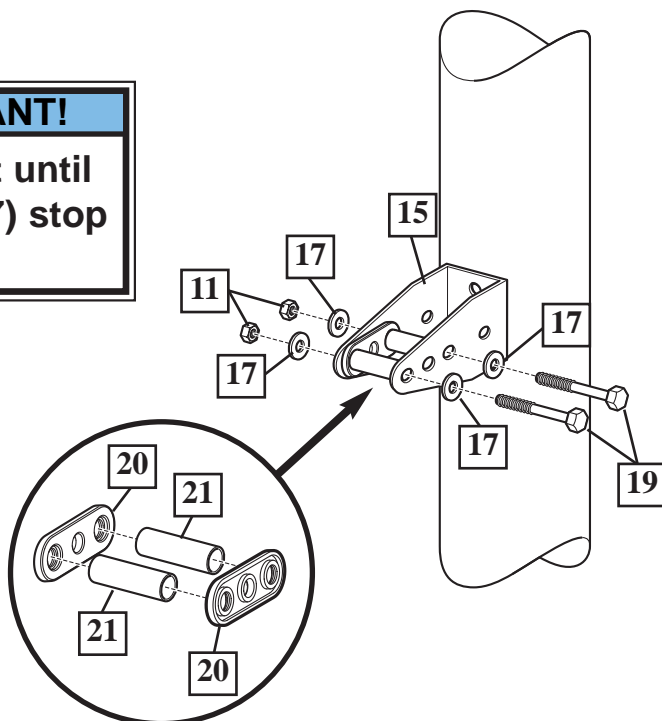
9. Secure cover (28) to tank struts (2) using bolts (47) and nuts (48) as shown.



- 10.** Install pole mount bracket (15) and reinforcement bracket (42) with carriage bolts (16) as shown. Tighten flange nuts (14) completely.

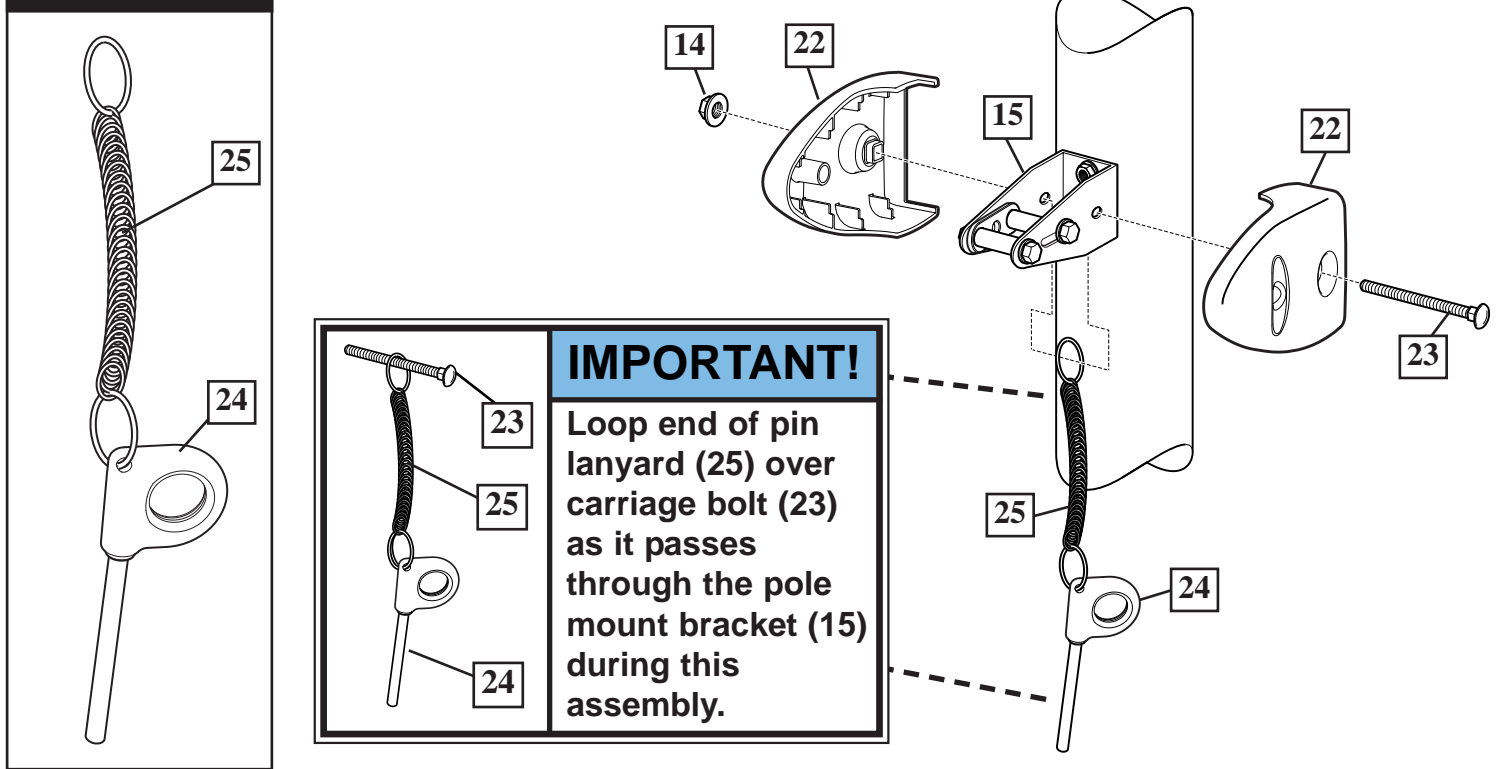


- 11.** Attach spacers (20, 21) to pole mount bracket (15) with bolts (19), washers (17), and nuts (11) as shown.



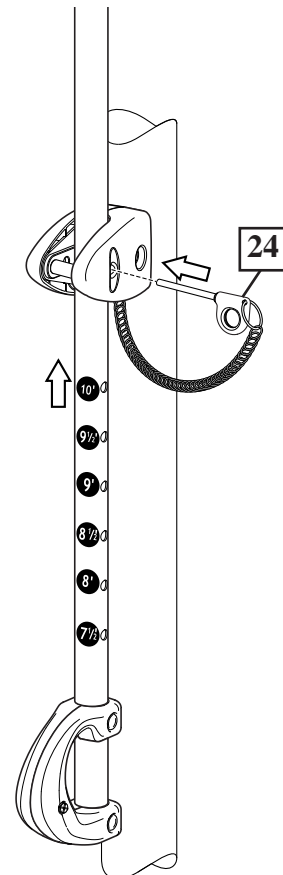
- 12.** Assemble lanyard (25) to locking pin (24) as shown (FIG A). Attach covers (22) onto pole mount bracket (15) with carriage bolt (23) and nut (14) as shown.

**FIG. A**



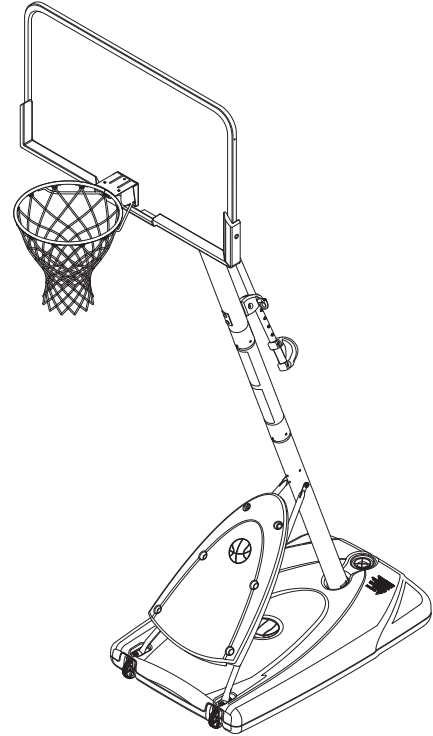
**13.**

Insert handle assembly through pole mount assembly as shown. Lock pole assembly in place at the 10' (3.05 m) mark with pin (24).



## SECTION B: ATTACH THE BACKBOARD

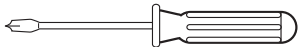
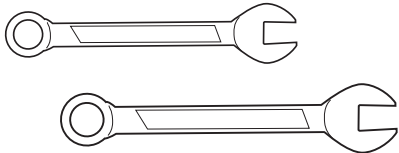
This is what your system will look like when you've finished this section.



### TOOLS REQUIRED FOR THIS SECTION

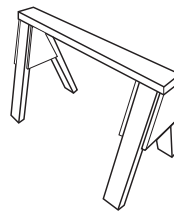
#### Wrenches:

(2) 1/2", (2) 9/16", and (2) 3/4"



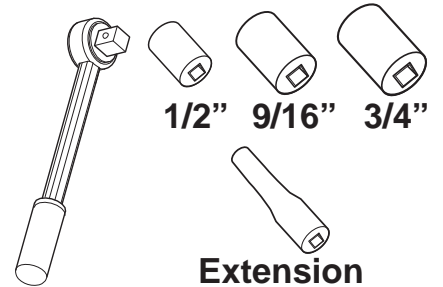
**Phillips-Head  
Screwdriver**

**And/Or**



**Sawhorse**

#### (2) Socket Wrenches and Sockets



**1/2" 9/16" 3/4"**

**Extension**

Identify  
elevator tubes.

**TOWARDS BOARD**

**35**

Upper Elevator tube



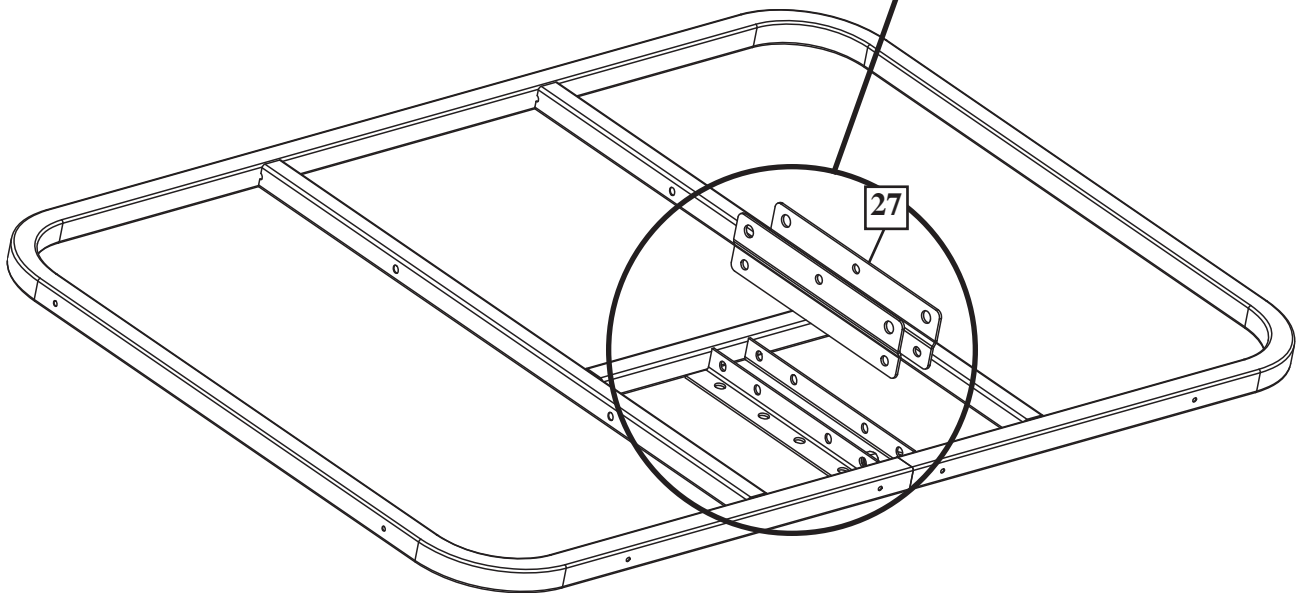
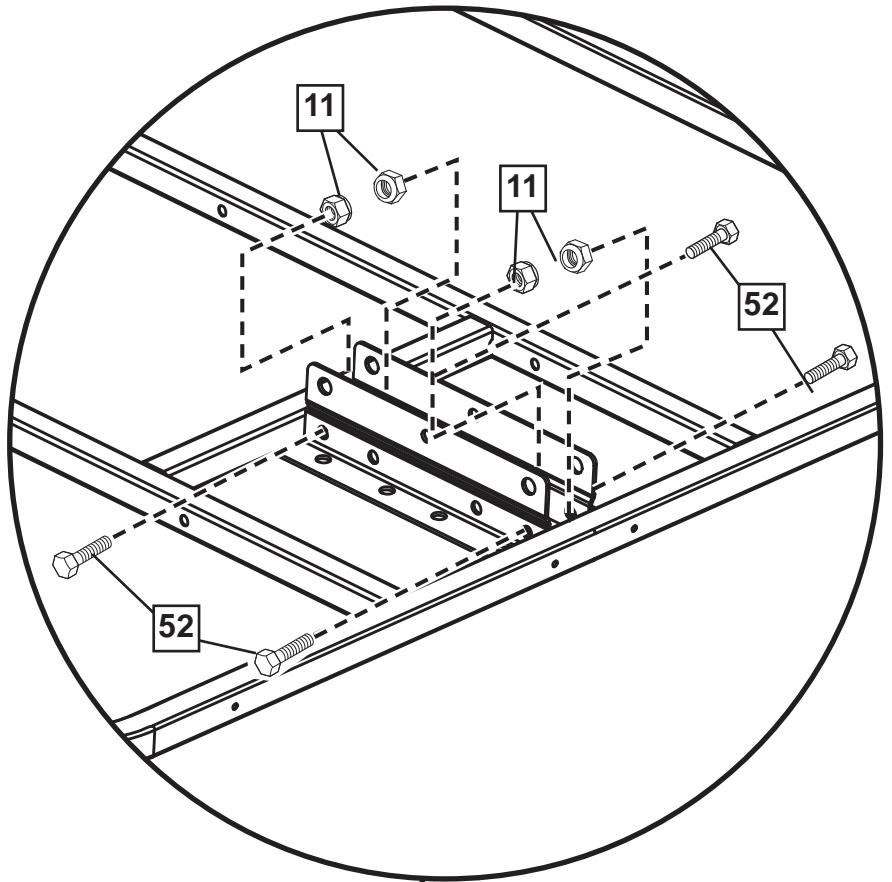
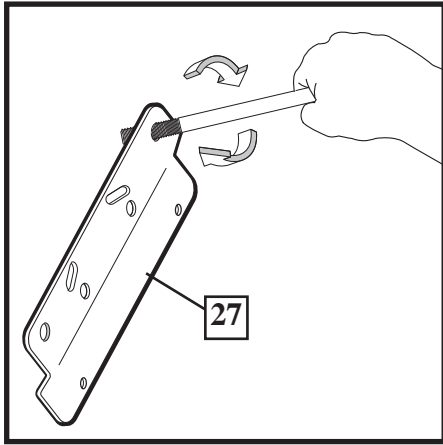
Lower Elevator tube

**32**



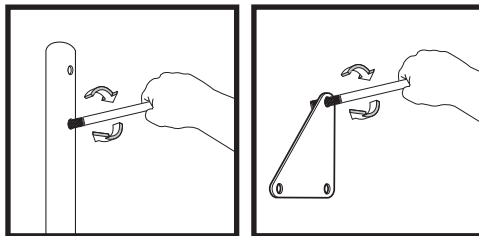
**TOWARDS POLE**

**1.** Assemble backboard brackets (27) using bolts (52), and nuts (11) as shown.

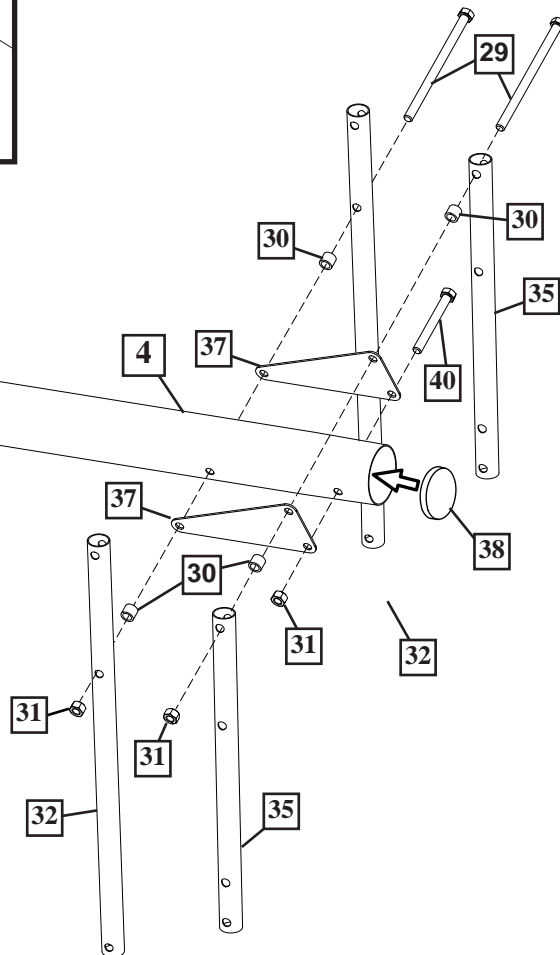
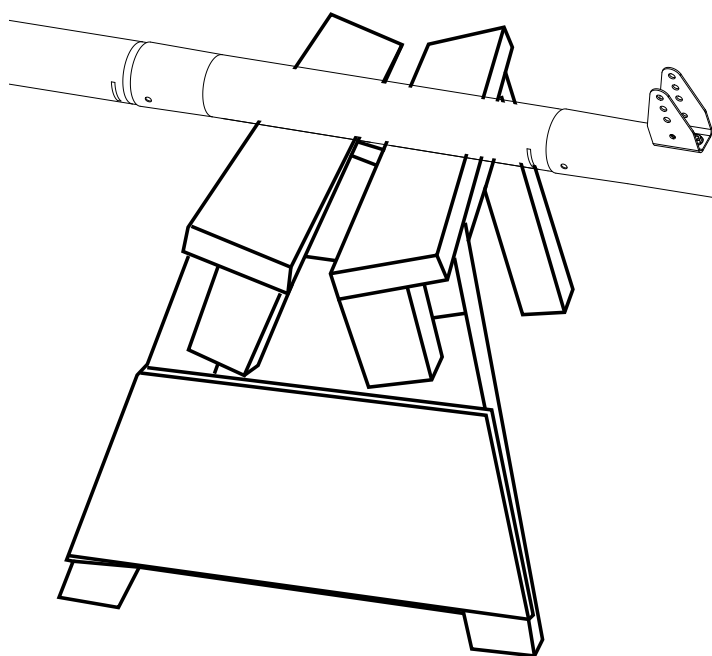


2. Support pole on sawhorse. Attach triangle plates (37) and elevator tubes (35 & 32) to top pole (4) using bolts (40 & 29) and nuts (31).

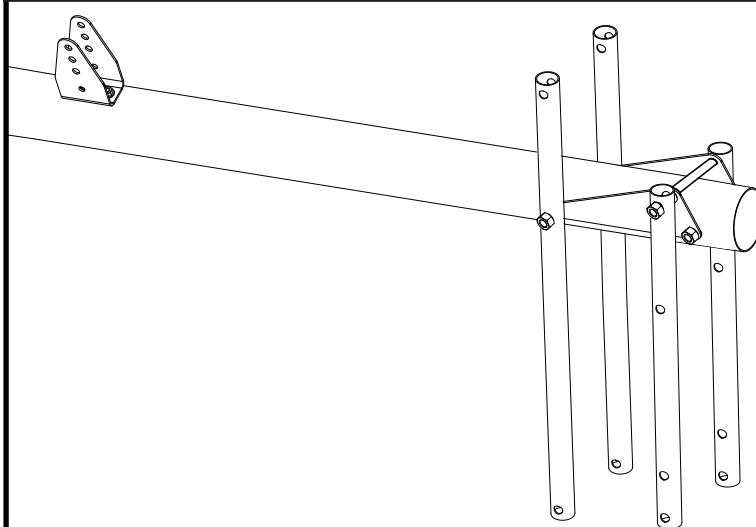
Install pole cap (38).



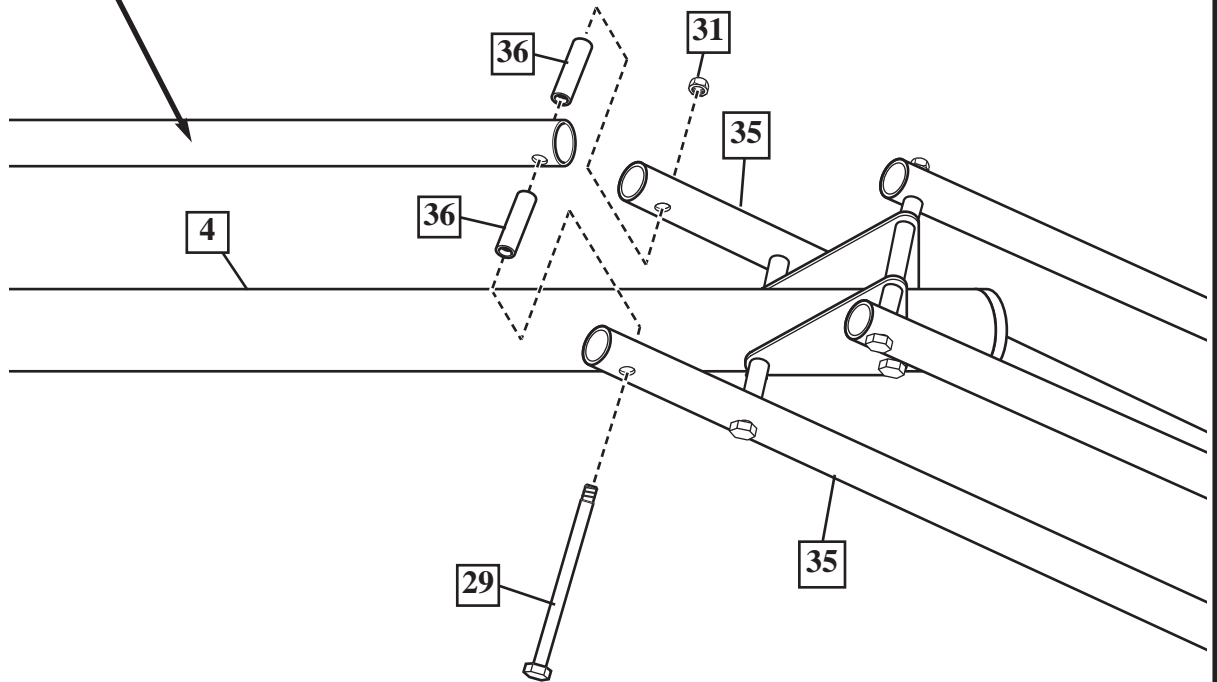
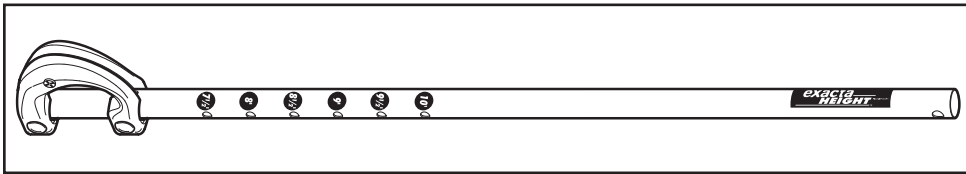
**! WARNING!**  
USE CAUTION; ELEVATOR ASSEMBLY IS HEAVY.  
TWO PEOPLE REQUIRED FOR THIS PROCEDURE. FAILURE TO FOLLOW THIS WARNING COULD RESULT IN SERIOUS INJURY AND/OR PROPERTY DAMAGE.



## COMPLETED ASSEMBLY



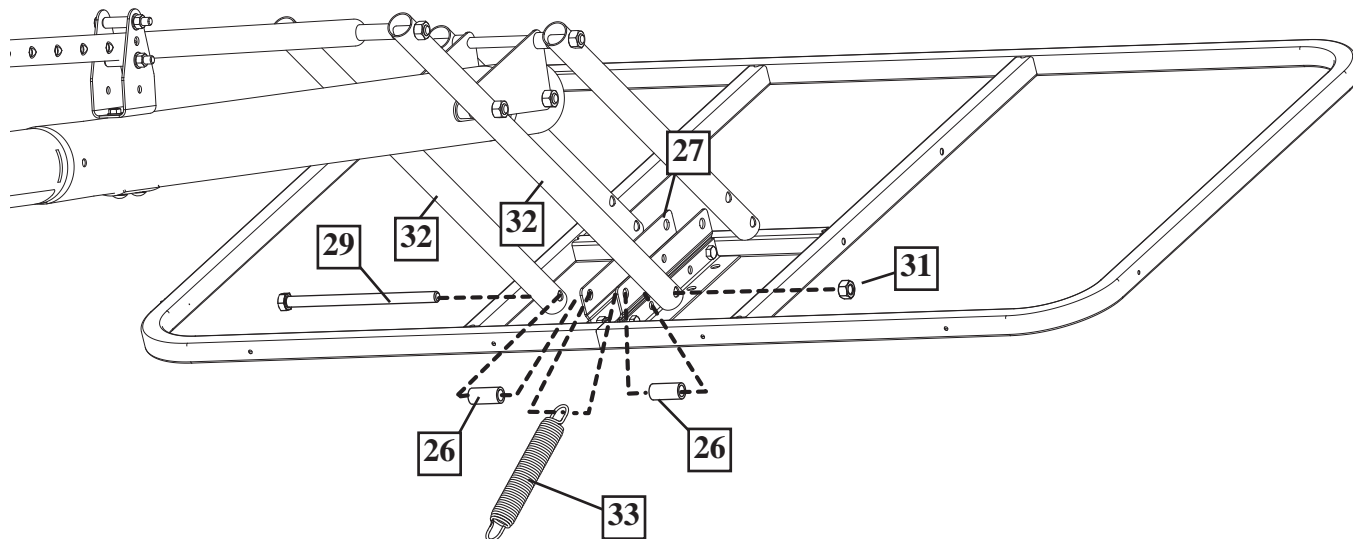
3. Install handle assembly to lower elevator tubes (32) using bolt (29), spacers (36), and nut (31) as shown.



A diagram showing the adjustable system assembly. It consists of a vertical rod with several holes. A curved handle is attached to the rod. Arrows indicate the direction of movement for the handle and the rod.	<p><b>NOTE:</b></p> <p>Before going on to next step, make sure adjustable system assembly is set to the 10' (3.05 m) setting.</p>
---	---

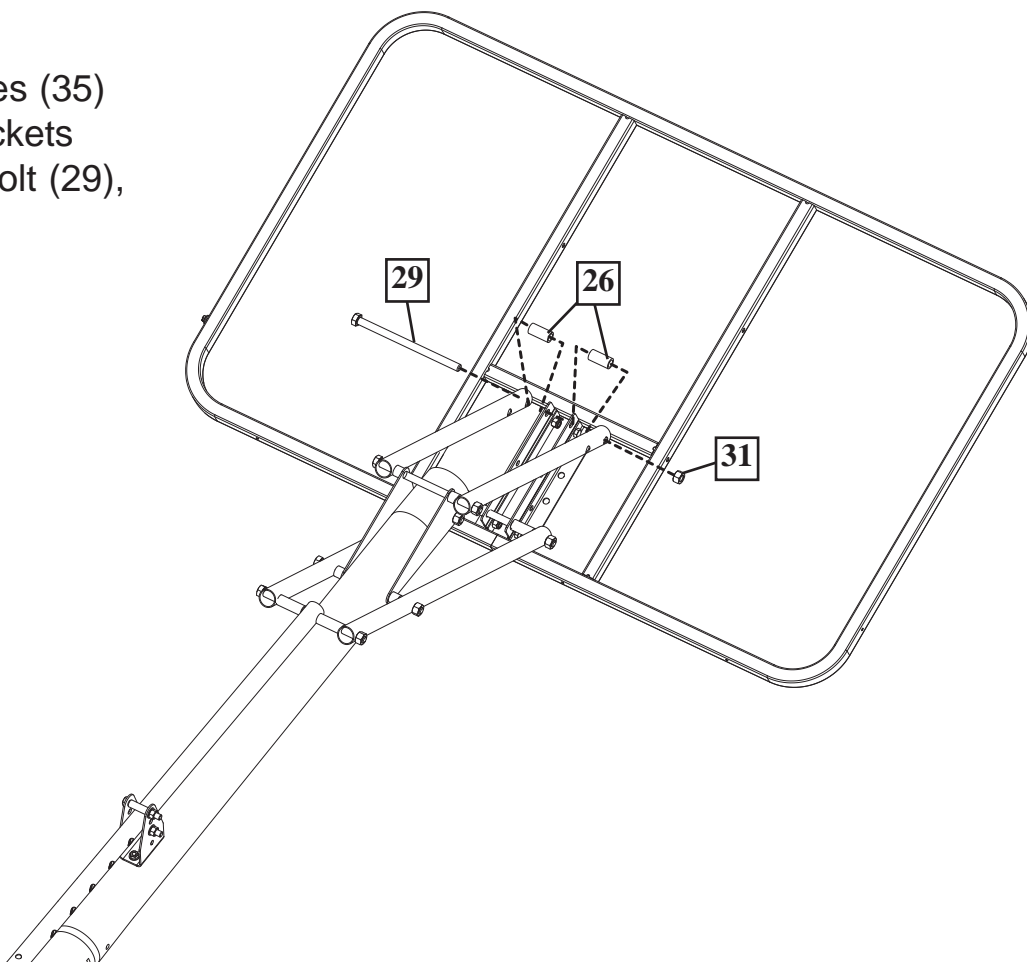
4.

Attach lower elevator tubes (32) and counter balance spring (33) to backboard support brackets (27) using spacers (26), bolt (29), and nut (31) as shown.



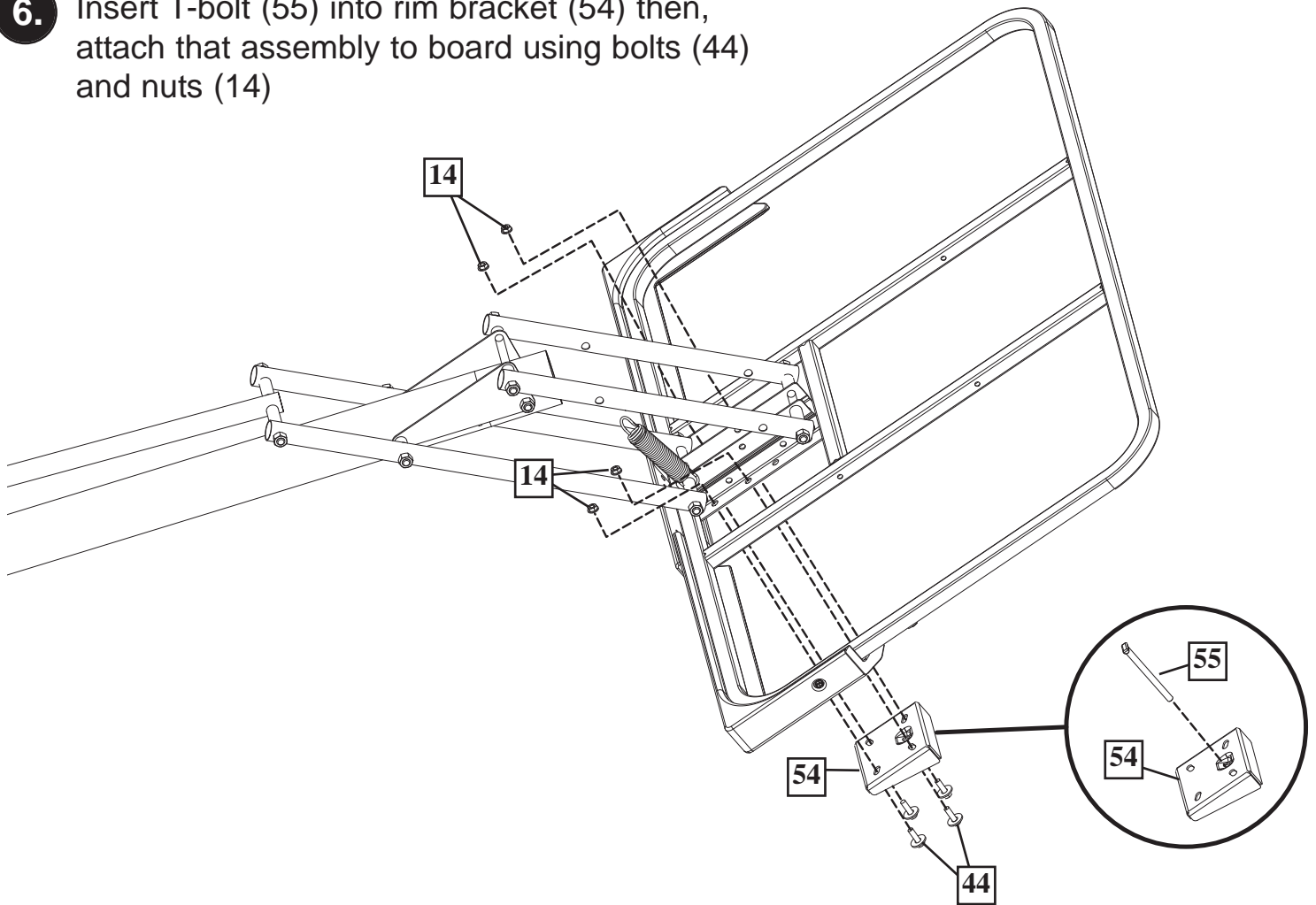
5.

Attach upper elevator tubes (35) to backboard support brackets (27) using spacers (26), bolt (29), and nut (31) as shown.



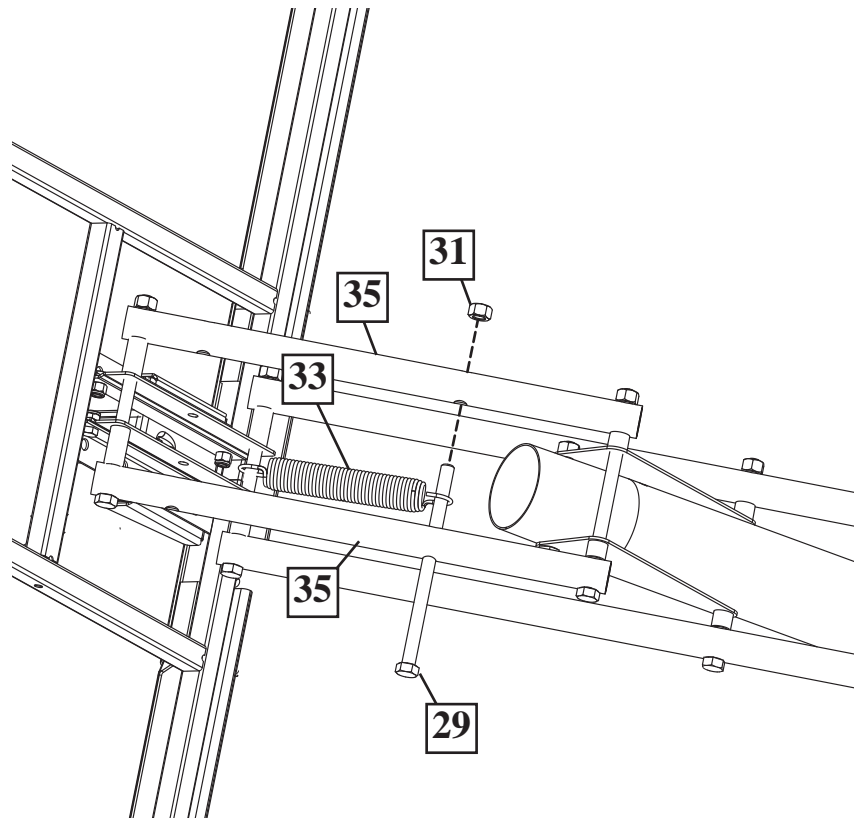


6. Insert T-bolt (55) into rim bracket (54) then, attach that assembly to board using bolts (44) and nuts (14)



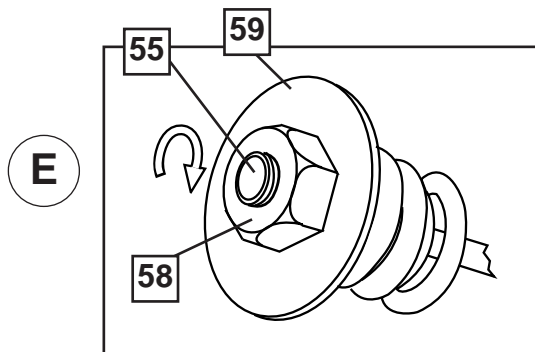
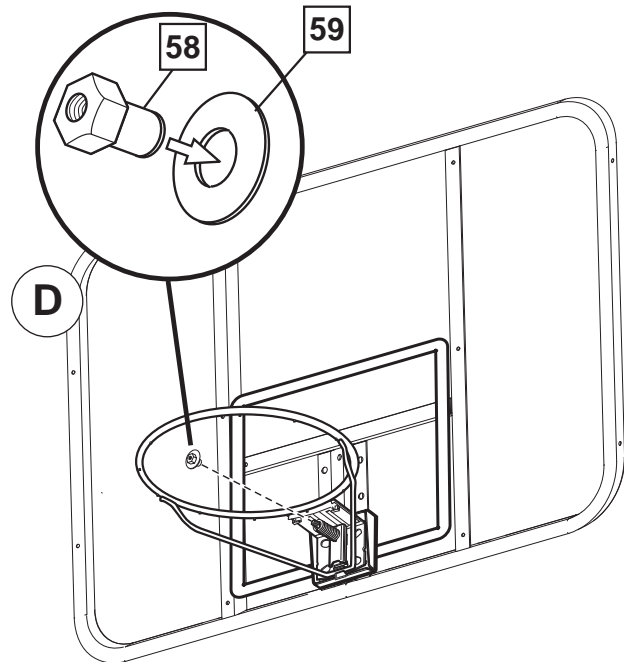
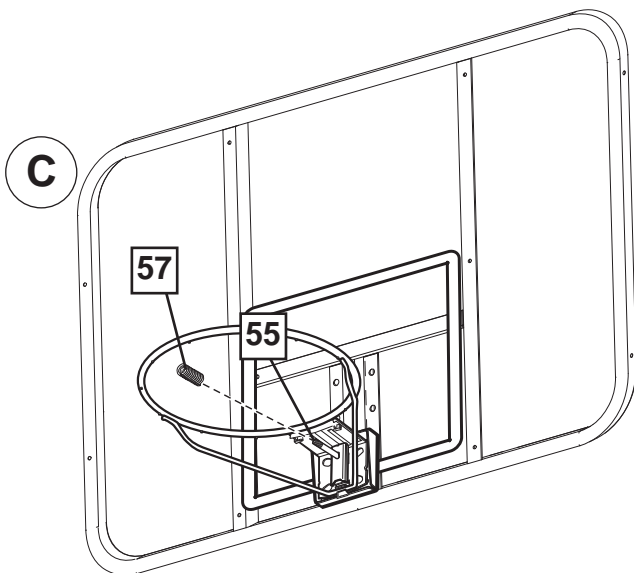
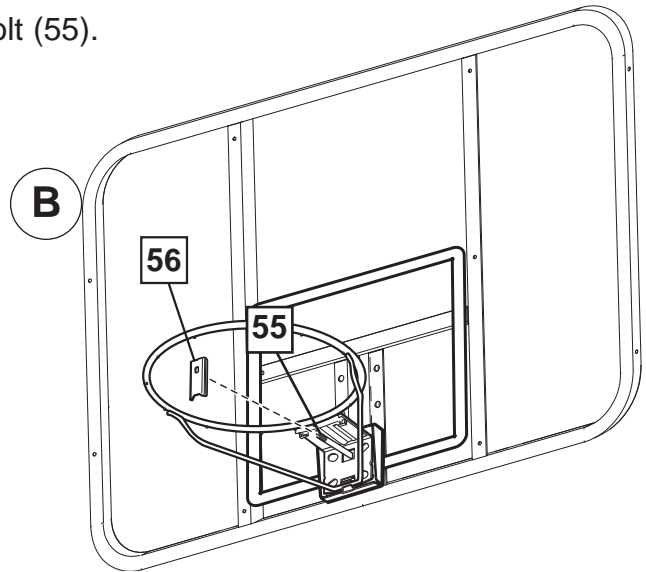
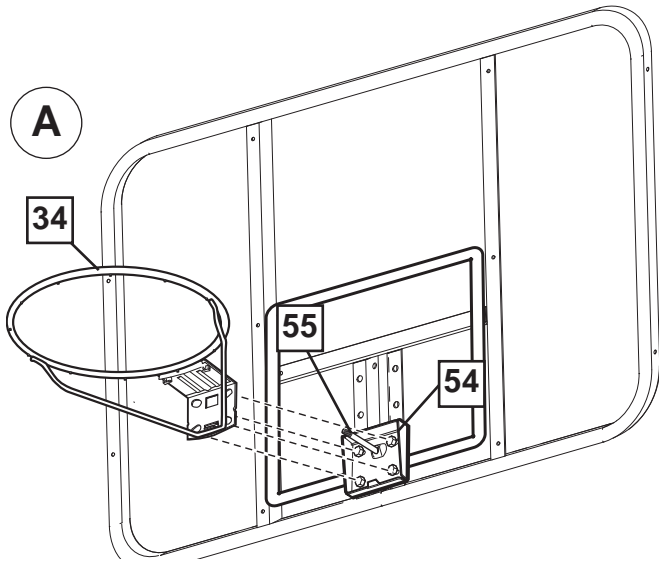
7.

- Insert bolt (29) through left side upper elevator tube (35), then stretch spring (33) onto bolt (29). Insert bolt (29) through right side upper elevator tube (35) and secure with nut (31).

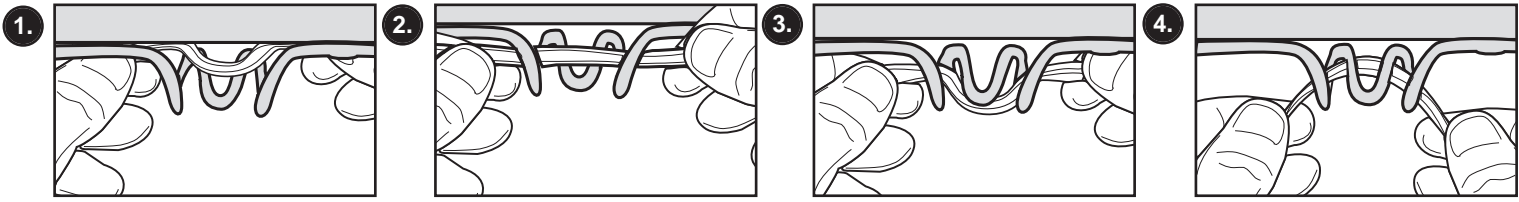


**8.****Install Slam Jam Rim to Backboard**

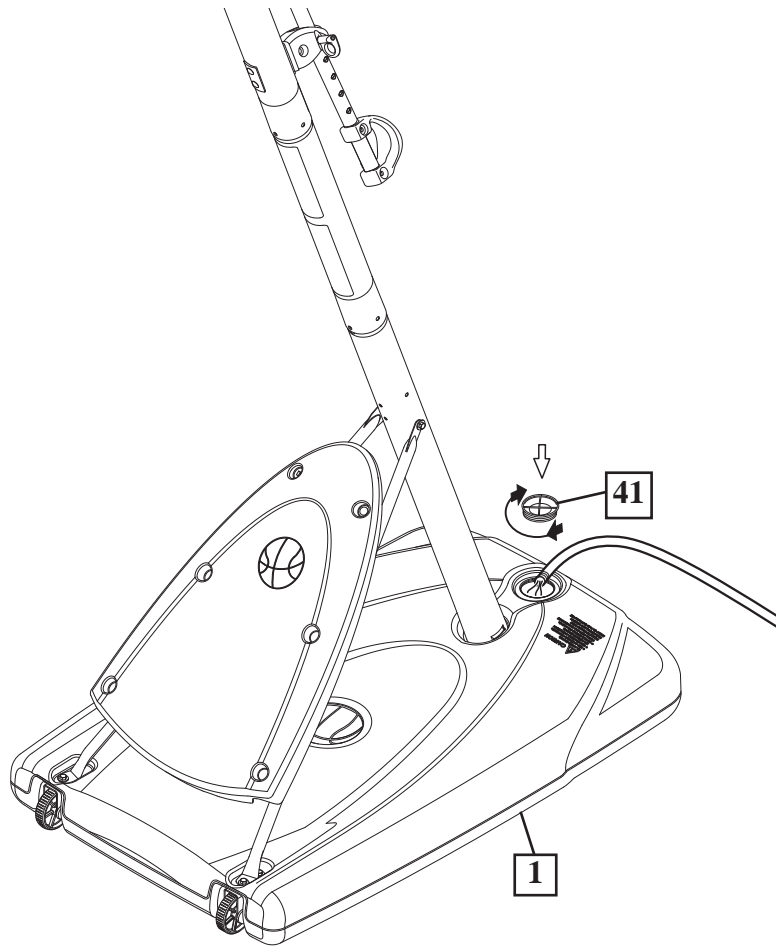
- A Fit rim (34) securely into bracket (54) as shown. Allow T-bolt (55) to slip through center hole in rim (34).
- B Install reinforcement bracket (56) onto T-bolt (55) as shown.
- C Install spring (57) onto T-bolt (55) as shown.
- D Install special nut (58) and washer (59) onto T-bolt (55).
- E Tighten nut (58) until flush with end of T-bolt (55).



**9.** Install net (43).



**10.** Roll completed assembly to desired position. Fill tank with water (approx. 34 gallons (129 Liters)) or sand (approx. 300 lbs. (136 kg)) and rotate the cap (41) into base (1).



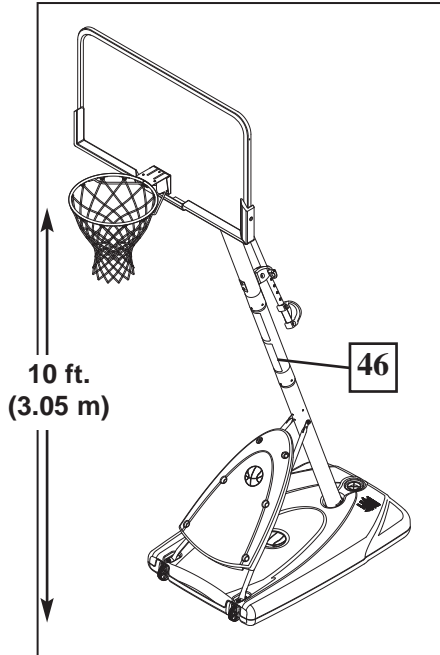
	<b>! WARNING!</b>
	DO NOT LEAVE ASSEMBLY UNATTENDED WHEN EMPTY; IT MAY TIP OVER.

	<b>! CAUTION!</b>
	ADD TWO GALLONS (7.6 LITERS) OF NON-TOXIC ANTIFREEZE IN SUB-FREEZING CLIMATES.

	<b>NOTE:</b>
	<b><i>IF USING SAND:</i></b> 2 GALLONS OF ANTI-FREEZE IS NOT REQUIRED

## SECTION C: APPLY HEIGHT AND MOVING LABEL & HEIGHT ADJUSTMENT

1. Apply height adjustment and moving label (46) to front of pole as shown.

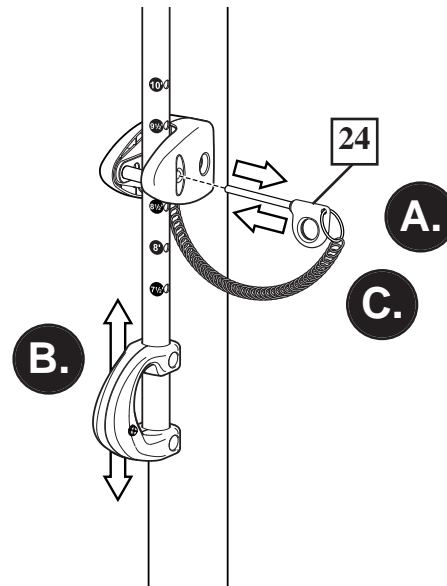


	<b>! WARNING!</b>
	TWO PEOPLE REQUIRED FOR THIS PROCEDURE. FAILURE TO FOLLOW THIS WARNING COULD RESULT IN SERIOUS INJURY AND/OR PROPERTY DAMAGE.

	<b>NOTE:</b>
	Peel protective film from surface of acrylic backboard prior to use.

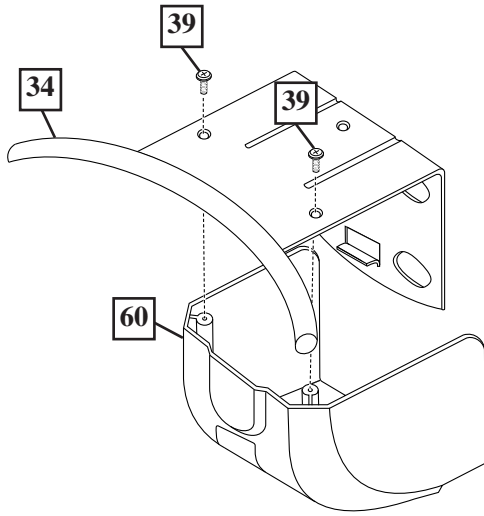
2.
  - A. While holding handle, remove pin (24).
  - B. Move elevator up or down to desired height.
  - C. Replace pin (24) full length to lock system at desired height.

	<b>! WARNING!</b>
	DO NOT ALLOW CHILDREN TO ADJUST HEIGHT.

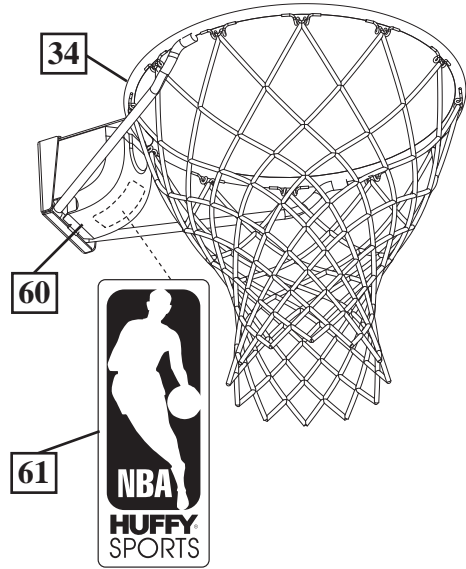


# SECTION D: COVER

1.



2.

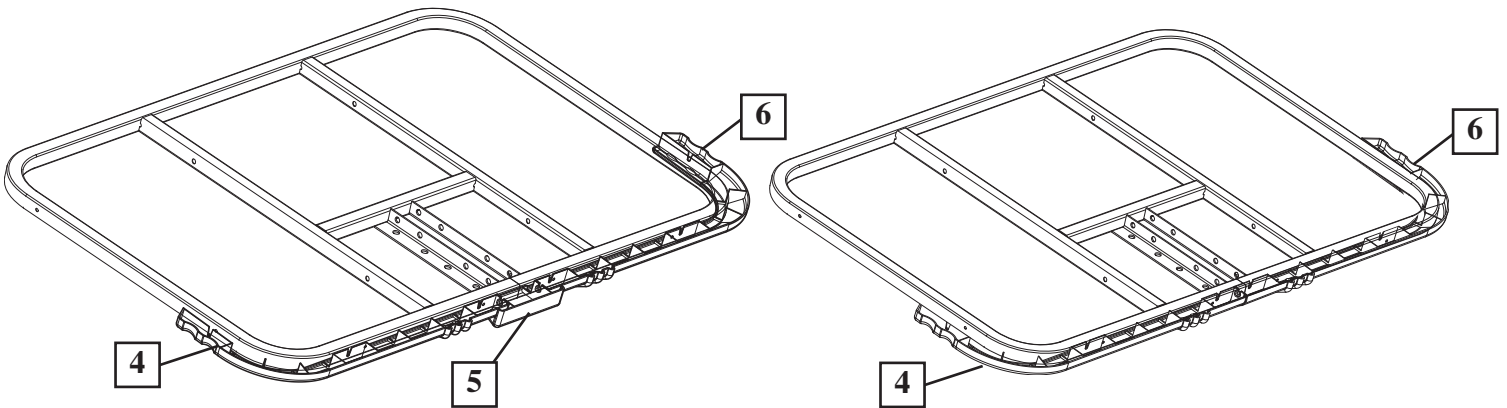
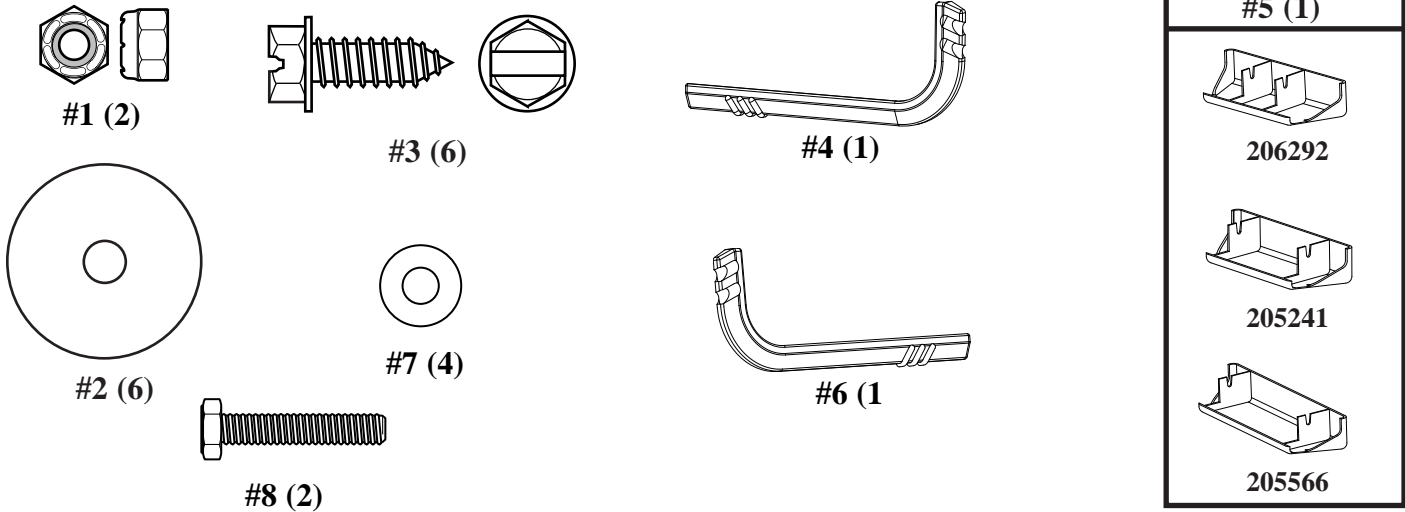


## SECTION E: BOARD PAD

### PARTS LIST (See Hardware Identifier)

Item	Qty.	Part No.	Description	Item	Qty.	Part No.	Description
1	2	266102	Lock Nut, Nylon Insert	5	1	206292	Board Pad, Middle - 46" Board
2	6	206151	Washer 1/4 ID 1 O.D.			205241	Board Pad, Middle - 48" Board
3	6	202871	Screw, Hex, 1/4 x 3/4 Slotted			205566	Board Pad, Middle - 50" Board
4	1	205225	Board Pad, Right (46-50" Board")	6	1	205226	Board Pad, Left (46-50" Board")
		204318	Board Pad, Right (42" Board")			204319	Board Pad, Left (42" Board")
				7	4	205233	Washer, #10 Flat
				8	2	205232	Screw, Hex, 10-24 x 7/8 Long

### HARDWARE IDENTIFIER



### NOTE:

#### 206292 (#5)

Use center board pad # 206292 (5) if you have a 46" backboard.

#### 205241 (#5)

Use center board pad # 205241 (5) if you have a 48" backboard.

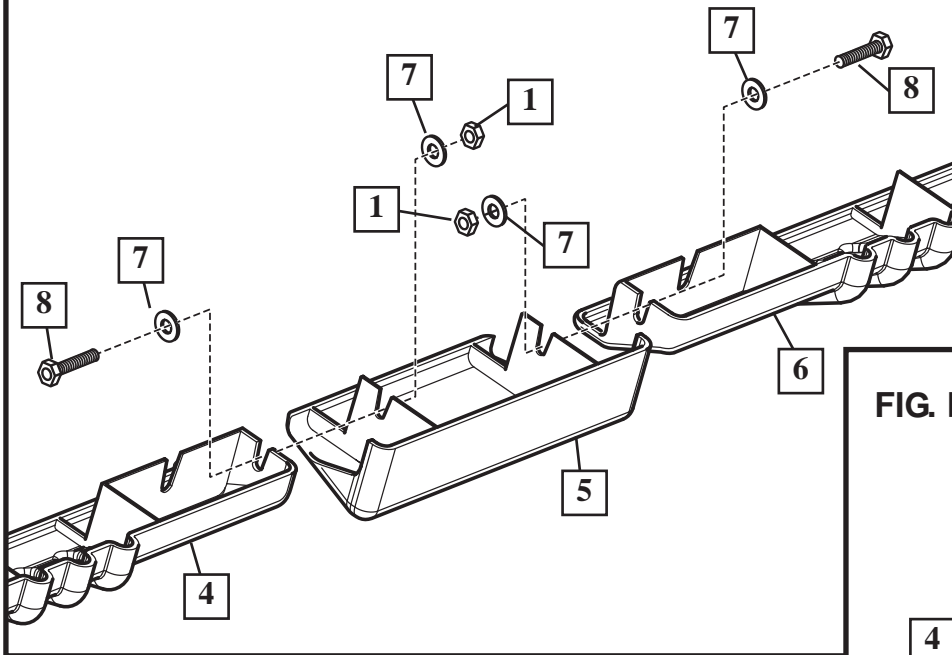
#### 205566 (#5)

Use center board pad # 205566 (5) if you have a 50" backboard.

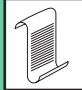
The center board pad is not required if you have a 44" backboard. Only the left and right board pads will be used.

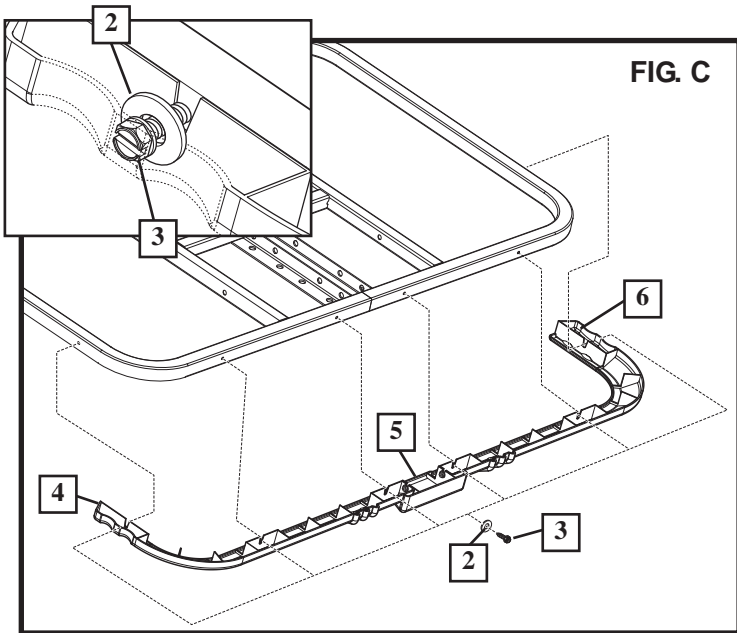
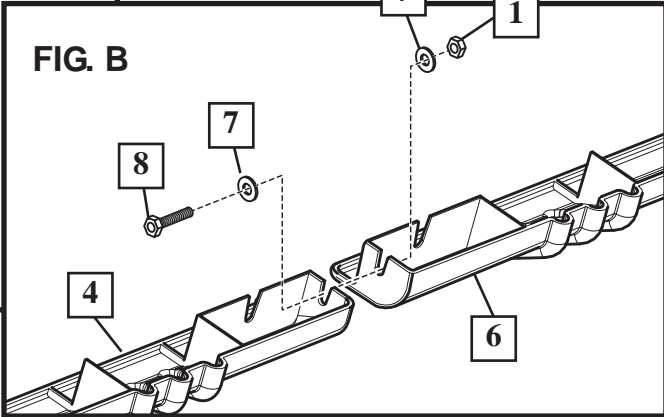
- Assemble board pad sections (4, 5, and 6) together with hardware (7, 8, and 1) as shown in Figure A and tighten completely.

**FIG. A**

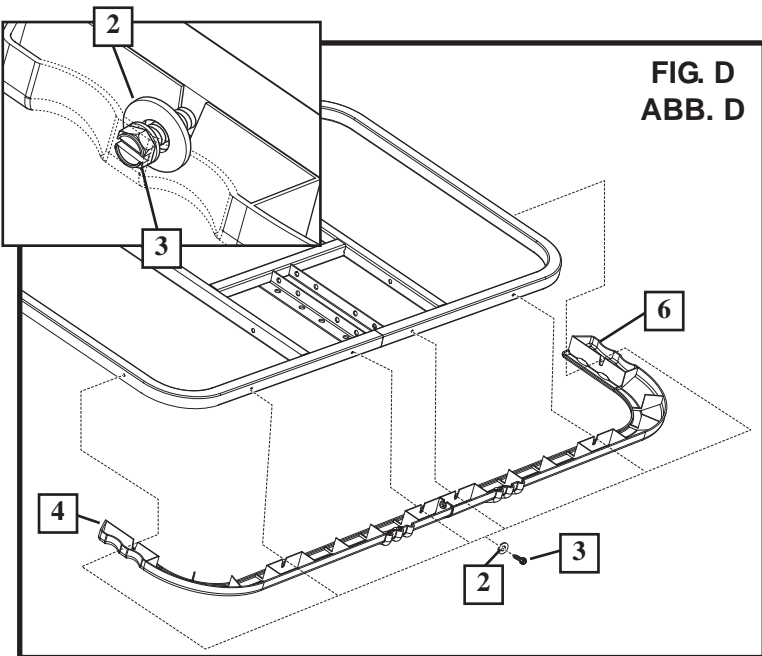


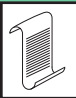
**IMPORTANT!**   
DO NOT OVER TIGHTEN!

**NOTE:**   
The center board pad is not required if you have a 44" backboard. Only the left and right board pads will be used. See figure B.



- Loosely install hardware (2, 3) into holes as shown in Figure C. Attach board pads (4, 5, and 6) with hardware and tighten completely.



**NOTE:**   
Part # 205241, # 206292 or #205566 (5) is not used on 44" acrylic backboards as shown in Figure D.

*Assemblage exclusivement réservé à un adulte.*

*Zusammenbau nur durch Erwachsene ALLE Verpackungsmaterialien sofort wegwerfen.*

*Il montaggio va eseguito da persone adulte.*

## Systeme portable - Manuel de l'utilisateur

Service clientèle

• N53 W24700 South Corporate Circle • Sussex, WI 53089 • É.-U.

## Gebrauchsanleitung für tragbare Systeme

Kundendienstzentrale

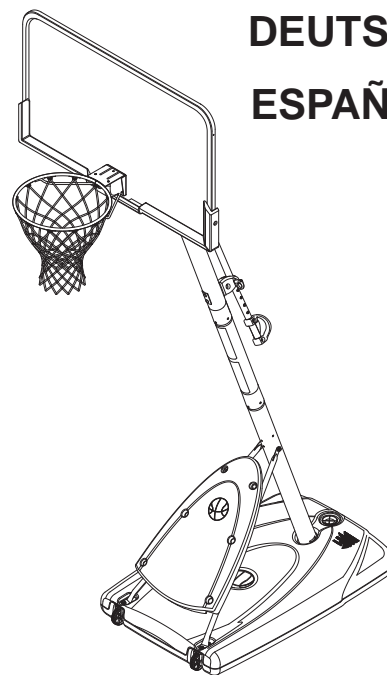
• N53 W24700 South Corporate Circle • Sussex, WI 53089 • U.S.A.

## Manual del Propietario del Sistema Portátil

Centro de Servicio al Cliente

• N53 W24700 South Corporate Circle • Sussex, WI 53089 • EE.UU.

**FRANÇAIS  
DEUTSCH  
ESPAÑOL**



Ce manuel, accompagné du justificatif d'achat, devra être conservé pour référence ultérieure, dans la mesure où il contient des informations importantes sur votre modèle.

Diese Anleitung sollte zusammen mit dem Kaufbeleg griffbereit aufbewahrt werden, da sie wichtige Informationen über Ihr Modell enthält.

Il presente manuale, accompagnato dallo scontrino, deve essere conservato e tenuto a portata di mano come documento di facile consultazione, in quanto contiene informazioni importanti su questo modello.

Inscrivez ici le numéro de modèle qui apparaît sur la boîte:

Die Modellnummer vom Verpackungskarton hier eintragen:

Escriba aquí el número de modelo que viene en la caja:



**AVERTISSEMENT!  
WARNUNG!  
¡ADVERTENCIA!**



**LISEZ CE MANUEL D'UTILISATION AVANT D'UTILISER CET APPAREIL**

**SOUS PEINE DE BLESSURES OU DE DÉGÂTS MATÉRIELS.**

**DAS BENUTZERHANDBUCH VOR GEBRAUCH DIESES PRODUKTS SORGFÄLTIG DURCHLESEN.**

**EIN MISSACHTEN DIESER BETRIEBSANLEITUNG KANN VERLETZUNGEN ODER SACHSCHÄDEN ZUR FOLGE HABEN.**

**LEA Y ENTIENDA EL MANUAL DEL OPERADOR ANTES DE USAR ESTA UNIDAD.**

**SI NO SE SIGUEN LAS INSTRUCCIONES DE OPERACIÓN SE PODRÍA OCASIONAR UNA LESIÓN O DAÑOS A LA PROPIEDAD.**

Numéro vert du Service clientèle - États-Unis : 1-800-558-5234, Canada : 1-800-2284-8339,  
Europe : 00 800 555 85234 (Suède : 009 555 85234), Australie : 1-800-632 7921 Adresse Internet : <http://www.huffysports.com>

Gebührenfreie Telefonnummer für die USA: 1-800-558-5234, für Kanada: 1-800-284-8339, für Europa: 00 800 555 85234 (Schweden: 009 555 85234), für Australien: 1-800-632 7921 Internet-Adresse: <http://www.huffysports.com>

Número telefónico sin costo del Departamento de Servicio al Cliente en EE.UU.: 1-800-558-5234,  
Para Canadá: 1-800-284-8339, Para Europa: 00 800 555 85234 (Suecia: 009 555 85234), Para Australia: 1-800-632 7921 Dirección en Internet: <http://www.huffysports.com>



**OUTILS ET MATÉRIEL  
REQUIS:**



• Deux (2) adultes capables



• Mètre



• Planche en bois (chute)



• Chevalet de sciage ou table



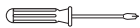
• Marteau



• Lunettes de sécurité



• Échelle de 2,4 m



• un tournevis cruciforme

**BENÖTIGTE WERKZEUGE  
UND MATERIALIEN:**



• Zwei (2) zur Ausführung dieser Arbeit fähige Erwachsene



• Maßband



• Holzstück (Ausschuß)



• Sägebock oder Stütztisch



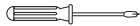
• Hammer



• Schutzbrille



• Stufenleiter, 2,4 m (8 Fuß)



• ein Kreuzschlitzschraubenzieher

**HERRAMIENTAS Y  
MATERIALES REQUERIDOS:**



• Dos (2) adultos capaces



• Cinta de medir



• Tabla de madera (un trozo)



• Caballete o mesa de apoyo



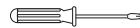
• Martillo



• Gafas de seguridad



• Escalera de mano de 8 pies (2.4 m)



• un destornillador Phillips

• Deux clés et/ou clés à douilles et deux douilles (douilles longues recommandées).



7/16" 1/2" 9/16" 3/4"

ET/OU

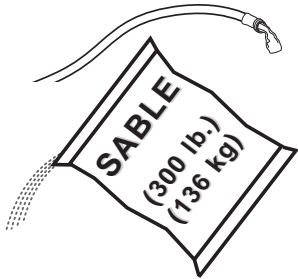


7/16" 1/2" 9/16" 3/4"



• Une extension est recommandée.

• Tuyau d'arrosage ou sable



• (je 2) Schrauben - und/oder Steckschlüssel (tiefe Einsätze empfohlen).



7/16" 1/2" 9/16" 3/4"

UND/ODER

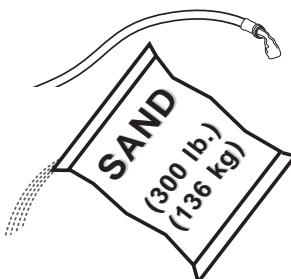


7/16" 1/2" 9/16" 3/4"



• Verlängerung wird empfohlen

• Gartenschlauch oder Sand



• (2 de cada una) llaves de tuercas y/o llaves de tuercas de boca tubular y casquillos (se recomiendan casquillos profundos).



7/16" 1/2" 9/16" 3/4"

Y/O



7/16" 1/2" 9/16" 3/4"



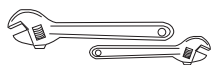
• Se recomienda una extensión

• Manguera de jardín o arena



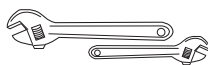
**OUTILS ET MATÉRIEL  
FACULTATIFS:**

• Petites et grandes clés anglaises



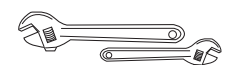
**WEITERE NÜTZLICHE  
WERKZEUGE UND MATERIALIEN:**

• Große und kleine verstellbare Schraubenschlüssel

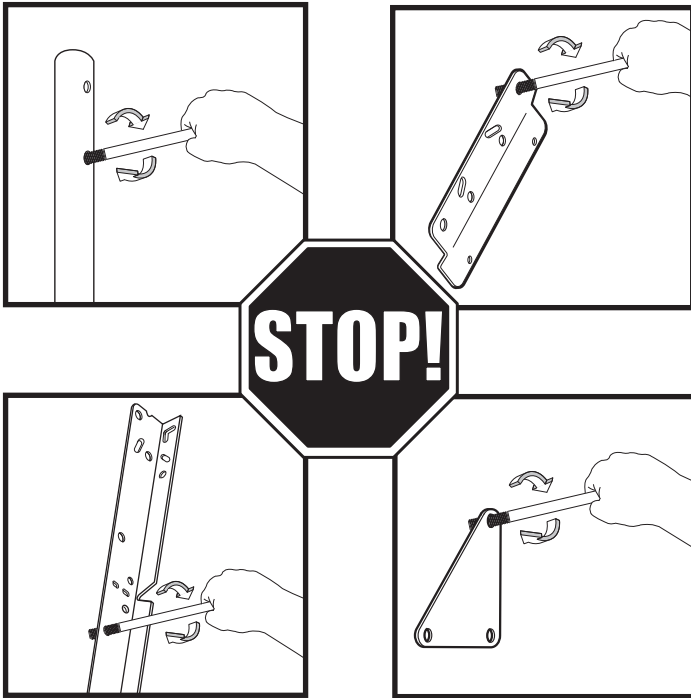


**HERRAMIENTAS Y  
MATERIALES OPCIONALES:**

• Llaves de tuercas ajustables grandes y pequeñas



# AVANT DE COMMENCER! VORBEREITENDE MASSNAHMEN ¡ANTES DE COMENZAR!



Pour garantir l'utilisation optimale du panneau, les composants du système élévateur et la visserie doivent être bien ajustés (serrés). À titre d'essai, insérez les gros boulons dans les gros trous des tubes du système élévateur, des supports du panneau et des plaques triangulaires. Basculez-les avec précaution en imprimant un mouvement circulaire pour éliminer l'excédent de peinture, si nécessaire.

**REMARQUE:** No todos los artículos ilustrados se incluyen con cada modelo.

Um sicherzustellen, dass das Korbwandsystem optimal für den Spielbetrieb geeignet ist, müssen die Komponenten der Verlängerungsvorrichtung und die verschiedenen Befestigungsteile fest miteinander verschraubt werden. Große Schrauben zur Probe in die großen Löcher der Verlängerungsrohre, Korbwandklammern und Dreiecksplatte stecken und diese vorsichtig in einer Kreisbewegung hin- und herbewegen, um eventuelle Farbbrückstände aus den Bohrungen zu entfernen.

**NOTA:** No todos los artículos ilustrados se incluyen con cada modelo.

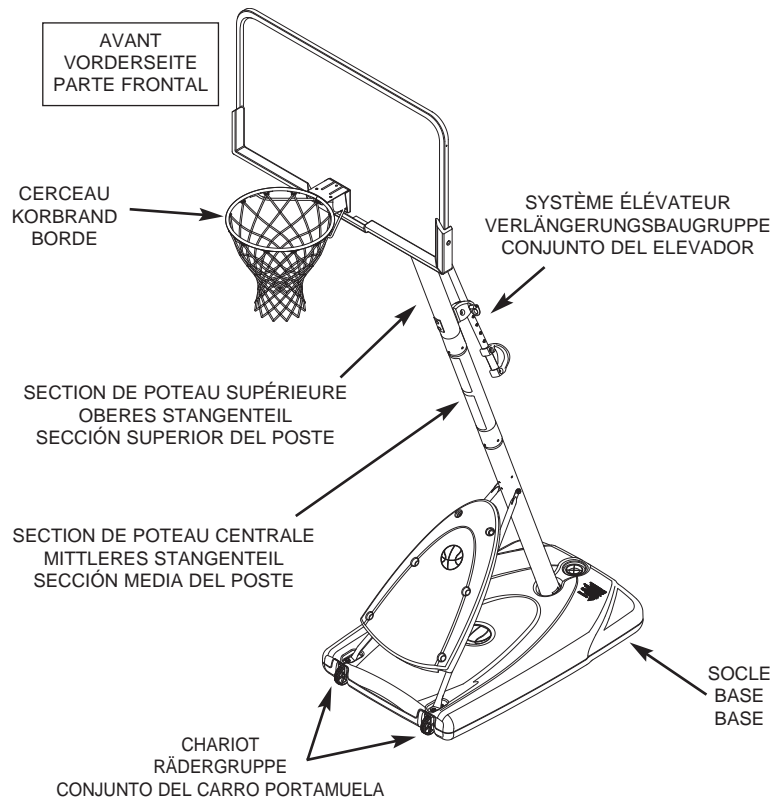
Para asegurar el óptimo rendimiento del sistema del respaldo en el juego, se requiere un ajuste de tolerancia estrecha entre los componentes del elevador y el herraje. Pruebe el ajuste de los pernos grandes en los orificios grandes de los tubos elevadores, soportes del respaldo y placas triangulares. Cuidadosamente muévalos en círculos para eliminar cualquier exceso de pintura, si es necesario.

**HINWEIS:** Nicht jedem Modell sind alle abgebildeten Teile beige packt.

*Apprenez à connaître les composants de base de votre système de basket-ball....*

*Machen Sie sich mit den wichtigsten Teilen Ihres Basketballsystems vertraut...*

*Conozca las piezas básicas de su sistema de baloncesto...*





## AVERTISSEMENT

Lisez les avertissements indiqués ci-dessous avant d'utiliser ce produit. sous peine d'encourir des blessures graves et/ou des dégâts matériels.

Le propriétaire doit s'assurer que tous les joueurs connaissent et suivent ces règles d'utilisation sûre du système.

- NE VOUS SUSPENDEZ PAS sur le cerceau ou sur une autre partie du système, y compris le panneau, les supports ou le filet.
- Durant le jeu, en particulier lorsque vous faites un smash, gardez le visage à l'écart du panneau, du cerceau et du filet. Risque de blessures graves si les dents ou le visage viennent heurter le panneau, le cerceau ou le filet.
- Ne glissez et ne montez pas sur le socle et/ou le poteau, ne les secouez pas et ne jouez pas dessus.
- Une fois le montage terminé, remplacez complètement le système d'eau ou de sable. Ne laissez jamais le système à la verticale sans lester le socle, car le système risque de basculer et de causer des blessures.
- Lorsque vous réglez la hauteur ou que vous déplacez le système, gardez les mains et les doigts à l'écart des pièces en mouvement.
- Interdisez aux enfants de déplacer ou de régler le système.
- Avant le jeu, retirez vos bijoux (bagues, montres, colliers, etc.). Ces objets peuvent se prendre dans le filet.
- La surface située sous le socle doit être lisse, sans gravier ou autres objets coupants. Les perforations causent des fuites et risquent de faire basculer le système.
- Maintenez les substances organiques à l'écart du socle du poteau. L'herbe, les ordures, etc. risquent de causer la corrosion et/ou la détérioration du système.
- Vérifiez l'état du système (signes de corrosion comme rouille, plaques, écaillage) et repeignez, avec de la peinture enlaid pour extérieur. Si de la rouille a piqué l'acier en tout point, remplacez immédiatement le poteau.
- Vérifiez le système avant chaque utilisation (lest, visserie mal serrée, usure excessive et signes de corrosion) et réparez avant utilisation.
- Vérifiez la stabilité du système avant chaque utilisation.
- N'utilisez pas le système les jours de vent fort et/ou de tempête ; le système risque de se renverser. Placez le système dans sa position de stockage et/ou dans un lieu protégé du vent et loin de biens personnels et/ou câbles suspendus.
- Ne jouez jamais sur du matériel abîmé.
- Lorsque vous déplacez le système, soyez prudent pour empêcher le mécanisme de se déséquilibrer.
- Maintenez le poteau bouché à tout moment.
- Ne laissez pas geler l'eau du socle. Par moins de 0 degré Celsius, ajoutez 8 litres d'antigel non toxique ou du sable, ou bien videz complètement et stockez. (N'utilisez pas de sel.)
- Durant le déplacement du système, personne ne doit se tenir debout ou assis sur son socle, ni sur le socle.
- Ne laissez pas le système sans supervision et ne jouez pas sur le système lorsque les roues se sont enclenchées pour le déplacement.
- Soyez prudent lorsque vous déplacez le système sur des surfaces irrégulières, car il risque de basculer.
- Soyez extrêmement prudent si vous placez le système sur une déclivité. Il risque de se renverser plus facilement.
- Pour les instructions d'installation et d'entretien, reportez-vous au guide fourni.

SPALDING  
En Allemagne: 1-800-772-5246  
Au Canada: 1-800-334-5259

HYDRA-RIB  
Au États-Unis: 1-800-334-5111

RUSSELL  
ATHLETIC

SURE SHOT  
Au États-Unis: 1-888-713-5489

HUFFY SPORTS  
En Allemagne: 1-800-506-2024  
Au Canada: 1-800-234-8339

Ref.: FR-565790 - 05/05



## ACHTUNG

Vor Gebrauch dieses Produkts die nachstehenden Warnhinweise lesen und beachten.

Ein Missachten dieser Warnung kann zu schweren Verletzungen und/oder Sachschäden führen

Der Eigentümer muss sicherstellen, dass alle Spieler diese Regeln für einen sicheren Betrieb des Systems kennen und befolgen.

- NICHT am Korbrand oder irgendeinem anderen Teil des Systems, einschli. Korbrand, Stützstreben oder Netz HANGEN.
- Während des Spielbetriebs, besonders bei Slam-Dunk-Manövern, halten die Spieler ihr Gesicht vor Korbrand, Korbrand und Netz fern halten. Der Kontakt von Zähnen/Gesicht mit der Korbrand, dem Korbrand oder dem Netz kann schwere Verletzungen zur Folge haben.
- Nicht auf dem Sockel und/oder der Stange herumrutschen, klettern, daran rütteln oder damit spielen.
- Nach dem Zusammenbau des System ganz mit Wasser oder Sand füllen. Das System niemals in aufrechter Position stehen lassen, ohne den Sockel zu beschweren, da es andernfalls umkippen und Verletzungen verursachen kann.
- Beim Einstellen der Höhe oder beim Transport des Systems Hände und Finger von beweglichen Teilen fern halten.
- Kindern darf das Verschieben oder Einstellen des Systems nicht gestattet werden.
- Beim Spielen keinen Schmuck (Ringe, Armbänder, Halsketten usw.) tragen. Gegenstände dieser Art können sich im Netz verfangen.
- Die Oberfläche unter dem Sockel muss glatt und frei von Kies oder anderen scharfkantigen Gegenständen sein. Locher verursachen Lecks und können ein Umkippen des Systems zur Folge haben.
- Organische Materialien vom Stangensockel fern halten. Gras, Abfälle usw. können Korrosion und/oder Abbauschneidungen verursachen.
- Das Stangensystem ist Anzeichen von Korrosion (Rost, Narbenbildung, Abblättern) untersuchen und mit Emailaufenfarbe neu lackieren. Wenn sich an irgendeiner Stelle Rost durch den Stahl hindurch gefressen hat, muss die Stange sofort ersetzt werden.
- Das System vor jeder Benutzung auf den richtigen Ballast, lose Befestigungsteile, übermäßige Abnutzungserscheinungen und Anzeichen von Korrosion untersuchen; vor jedem Einsatz entsprechende Korrekturmaßnahmen bzw. Reparaturen durchführen.
- Die Stabilität des Systems vor jedem Gebrauch überprüfen.
- Das System nicht bei windigen und/oder unwirtlichen Witterungsverhältnissen benutzen, da es unter diesen Umständen umkippen kann. Das System in seine Lagerposition versetzen und/oder in einen windgeschützten Bereich bringen, in dem sich weder Schwärze noch oberflächliche Kabel befinden.
- Niemals an bzw. mit einer beschädigten Ausrüstung spielen.
- Beim Transport des Systems darauf achten, dass sich der Mechanismus nicht verschiebt.
- Das obere Stangenende muss jederzeit mit einer Kappe abgedeckt sein.
- Das Wasser im Tank darf keinesfalls gefrieren. Bei Gefrieremperaturen den Tank mit 7,5 l eines ungiftigen Gefrierschutzmittels oder Sand füllen oder ihn völlig entleeren und lagern. (Kein Salz verwenden.)
- Beim Verschieben des Systems darf niemand auf dem Sockel stehen oder sitzen oder diesen mit zusätzlichem Ballast beschwert haben.
- Das System nicht unbeaufsichtigt lassen oder damit spielen, wenn die Räder zum Transport eingesteckt sind.
- Beim Transport des Geräts über unebene Flächen vorsichtig vorgehen. Das System kann umkippen.
- Beim Aufstellen des Systems auf einer geneigten Fläche mit großer Vorsicht vorgehen. Das System kann unter diesen Bedingungen leichter umkippen.
- Die ordnungsgemäße Installation und Wartung ist dem Gebrauchshandbuch zu entnehmen.

SPALDING  
En Allemagne: 1-800-772-5246  
Au Canada: 1-800-334-5259

HYDRA-RIB  
En Allemagne: 1-800-334-5111

RUSSELL  
ATHLETIC

SURE SHOT  
En Allemagne: 1-888-713-5489

HUFFY SPORTS  
En Allemagne: 1-800-506-2024  
Au Canada: 1-800-234-8339

Beiml. Nr.: GE-565790 - 05/05



## ADVERTENCIA

Lea y entienda las advertencias que se encuentran a continuación antes de usar este producto.

Si no se observan estas advertencias se podrían causar lesiones graves y/o daños materiales.

El propietario debe asegurarse de que todos los jugadores conozcan y obedezcan estas reglas para la operación segura del sistema.

- NO SE CUELQUE del borde ni de ninguna parte del sistema, inclusive el respaldo, las abrazaderas de apoyo y la red.
- Durante el juego, especialmente cuando se realizan actividades de tipo clavada (dunk), el jugador debe mantener la cara alejada del respaldo, el borde y la red. Si los dientes o la cara entran en contacto con el respaldo, el borde o la red, se puede sufrir una lesión grave.
- No se deslice, suba, sacuda ni juegue en la base y/o en poste.
- Cuando complete el montaje, llene completamente el sistema con agua o arena. Nunca deje el sistema en posición vertical sin llenar la base con un peso, ya que el sistema se podría caer y causar lesiones.
- Al ajustar la altura o mover el sistema mantenga las manos y los dedos alejados de las partes móviles.
- No permita que los niños muevan o ajusten el sistema.
- Durante el juego, no use joyería (anillos, relojes, collares, etc.). Estos objetos se podrían atorar en la red.
- La superficie debajo de la base se debe mantener lisa y sin grava ni otros objetos filosos. Las perforaciones pueden causar fugas y provocar que el sistema se caiga.
- Mantenga los materiales orgánicos alejados de la base del poste. El césped, la basura, etc. podrían causar corrosión y/o deterioro de la base del poste.
- Revise que el sistema del poste no tenga señales de corrosión (oxidación, picaduras, descomaduras) y si las tiene vuelva a pintarlo con pintura de esmalte para exteriores. Si la corrosión penetró a través del acero en cualquier área, reemplácelo inmediatamente el poste.
- Antes de cada uso revise el sistema para verificar que esté adecuadamente equilibrado, que no tenga herraje suelto, desgaste excesivo ni signos de corrosión, y repárelo si es necesario.
- Verifique la estabilidad del sistema antes de cada uso.
- NO use el sistema durante condiciones climáticas severas y/o con mucho viento, ya que el sistema se podría caer. Coloque el sistema en posición de almacenamiento y/o en un área protegida del viento y sin propiedad personal y/o cables suspendidos.
- Nunca juegue en equipo dañado.
- Cuando mueva el sistema, tenga cuidado para evitar que el mecanismo cambie de lugar.
- Siempre mantenga la parte superior del poste cubierta con la tapa.
- No permita que el agua del tanque se congele. En clima con temperaturas de congelamiento añada dos galones de anticongelante no tóxico, arena, o vacíe completamente el tanque y almacénalo. (No use sal.)
- Al mover el sistema no permita que nadie se pare o sienta en la base o añada lastre adicional en la base.
- No deje el sistema sin supervisión ni juegue en el sistema cuando las ruedas estén embragadas para rodar.
- Tenga cuidado al mover el sistema sobre superficies irregulares. El sistema se podría talar.
- Use extremado cuidado si va a colocar el sistema en una superficie inclinada. El sistema se podría caer más fácilmente.
- Consulte el manual de instrucciones para ver la instalación y el mantenimiento adecuados.

SPALDING  
En Allemagne: 1-800-772-5246  
Au Canada: 1-800-334-5259

HYDRA-RIB  
En Allemagne: 1-800-334-5111

RUSSELL  
ATHLETIC

SURE SHOT  
En Allemagne: 1-888-713-5489

HUFFY SPORTS  
En Allemagne: 1-800-506-2024  
Au Canada: 1-800-234-8339

N.P.: SP-565790 - 05/05

## CONSIGNES DE SÉCURITÉ

SUIVEZ CES CONSIGNES DE SÉCURITÉ SOUS PEINE DE PROVOQUER DES BLESSURES GRAVES, DES DÉGÂTS MATÉRIELS ET L'ANNULATION DE LA GARANTIE.

*Le propriétaire doit s'assurer que tous les joueurs connaissent et suivent ces règles d'utilisation sûre du système.*

Par mesure de sécurité, n'essayez pas de monter ce système sans suivre scrupuleusement les instructions. Vérifiez le carton et l'intérieur de tout le matériel d'emballage pour y trouver les pièces et/ou d'autres instructions. Avant de commencer le montage, lisez les instructions et identifiez les pièces à l'aide de la liste d'identification et de la liste des pièces de ce document. Un montage, une utilisation et une supervision corrects et complets sont indispensables à un bon fonctionnement et à la réduction des risques d'accident ou de blessure. Il existe un haut risque de blessures graves si ce système n'est pas correctement installé, entretenu et utilisé..

- Si vous utilisez une échelle en cours de montage, soyez extrêmement prudent.
- Il est recommandé de s'y prendre à deux (2) (adultes) pour réaliser cette opération.
- Vérifiez régulièrement le socle pour vous assurer qu'il ne fait pas. Les petites fuites risquent d'entraîner le basculement intempestif du système.
- Emboîtez correctement les sections de poteau (le cas échéant). Elles risquent sinon de se déboîter en cours de jeu et/ou de transport du système.
- Les conditions climatiques, la corrosion ou une mauvaise utilisation risquent de provoquer la panne du système.
- La hauteur minimale d'utilisation est de 1,98 m jusqu'à la base du panneau.
- Ce matériel est réservé à un but récréatif à domicile et NON PAS à un jeu extrêmement compétitif.
- Lisez et comprenez l'étiquette d'avertissement fixée au poteau.
- La durée de vie de votre poteau de basket-ball dépend de bien des facteurs. Le climat, la position du poteau, son emplacement, son exposition à des agents corrosifs tels que des pesticides, des herbicides ou des sels sont tous des facteurs importants.
- Pour toute assistance technique, contactez le service clientèle.
- La supervision d'un adulte est recommandée pour le réglage de la hauteur.

*La plupart des blessures sont causées par une utilisation impropre et/ou le non-respect des instructions. Soyez prudent lorsque vous utilisez ce système.*

## SICHERHEITSHINWEISE

EIN MISSACHTEN DIESER SICHERHEITSHINWEISE KANN ZU SCHWEREN VERLETZUNGEN ODER SACHSCHÄDEN FÜHREN UND MACHT DIE GARANTIE UNWIRKSAM.

*Der Eigentümer muss sicherstellen, dass alle Spieler diese Regeln für einen sicheren Betrieb des Systems kennen und befolgen.*

Aus Sicherheitsgründen darf dieses System nur unter sorgfältiger Beachtung der Anleitung zusammengebaut werden. Den ganzen Karton und alle darin befindlichen Verpackungsmaterialien auf Bauteile und/oder zusätzliche Anleitungen inspizieren. Vor Beginn des Zusammenbaus die Anleitung durchlesen und anhand des Schlüssels zur Identifizierung der Befestigungsteile und der Teilleiste in diesem Dokument die einzelnen Bauteile bestimmen. Eine ordnungsgemäße und vollständige Montage, Verwendung und Aufsicht sind für den richtigen Betrieb und zur Reduzierung des Unfall- oder Verletzungsrisikos absolut erforderlich. Bei einer unsachgemäßen Installation und Wartung und bei einem falschen Betrieb dieses Systems besteht ein hohes Risiko schwerer Verletzungen.

- Bei Gebrauch einer Leiter während des Zusammenbaus extrem vorsichtig vorgehen.
- Diese Arbeit sollte von zwei (2) dazu fähigen Erwachsenen ausgeführt werden.
- Den Sockel regelmäßig auf Leckstellen untersuchen. Langsam austretende Füllmittel können ein unerwartetes Umkippen des Systems verursachen.
- Die einzelnen Stangenteile richtig zusammenfügen (falls anwendbar). Andernfalls können sich die Stangenteile beim Spielbetrieb und/oder während des Transports des Systems voneinander lösen.
- Klimatische Bedingungen, Korrosion oder Fehlgebrauch kann zu Systemdefekten führen.
- Die Mindestspielhöhe beträgt 1,98 m (6,5 Fuß) bis zum unteren Rand der Korbwand.
- Diese Vorrichtung ist nur für den Freizeitgebrauch zu Hause, NICHT aber für ein übermäßig wettkampfbetontes Spiel vorgesehen.
- Den an der Stange angebrachten Warnaufkleber aufmerksam lesen.
- Die Nutzungsdauer Ihrer Basketballstange hängt von zahlreichen äußeren Umständen ab.
- Klimabedingungen, Platzierung und Aufstellort der Stange, Angriffe durch korrodierende Substanzen wie Ungeziefer- und Pflanzenvernichtungsmittel oder Salz - all das sind wichtige Faktoren.
- Technische Unterstützung kann vom Kundendienst angefordert werden.
- Alle Höhenverstellungen sollten von Erwachsenen beaufsichtigt werden.

*Die meisten Verletzungen werden durch einen Fehlgebrauch bzw. ein Missachten der Anleitungen verursacht.*

*Bei der Verwendung dieses Systems vorsichtig vorgehen.*

## INSTRUCCIONES DE SEGURIDAD

EL INCUMPLIMIENTO DE ESTAS INSTRUCCIONES DE SEGURIDAD PUEDE DAR COMO RESULTADO LESIONES GRAVES O DAÑOS MATERIALES Y ANULARÁ LA GARANTÍA.

*El propietario debe asegurarse de que todos los jugadores conozcan y obedezcan estas reglas para la operación segura del sistema.*

Por su seguridad, no intente montar este sistema sin seguir cuidadosamente las instrucciones. Revise toda la caja y el interior de todo el material de embalaje para encontrar todas las piezas y/o material instructivo adicional. Antes de comenzar el montaje, lea las instrucciones e identifique las piezas usando el identificador de herraje y la lista de piezas contenidos en este documento. Es esencial el montaje completo, y el uso y la supervisión adecuados para la operación correcta del sistema y para reducir el riesgo de accidentes o lesiones. Existe una alta probabilidad de sufrir lesiones graves si este sistema no se instala, mantiene y opera adecuadamente.

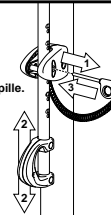
- Si utiliza una escalera de mano durante el montaje, tenga mucho cuidado.
- Se recomienda que dos (2) adultos capaces realicen esta operación.
- Revise regularmente la base para detectar fugas. Las fugas lentas podrían causar que el sistema se cayera inesperadamente.
- Asiente correctamente las secciones del poste (si aplica). Si no lo hace, las secciones del poste podrían separarse durante el juego y/o durante el transporte del sistema.
- El clima, la corrosión y el mal uso podrían ocasionar la falla del sistema.
- La altura mínima de operación es de 6 pies y 6 pulgadas (1.98 m) hasta la parte inferior del respaldo.
- Este equipo está diseñado únicamente para uso recreativo en el hogar y NO para juego competitivo excesivo.
- Lea y entienda la etiqueta de advertencia adherida en el poste.
- La vida útil de su poste de baloncesto depende de muchas condiciones. El clima, la colocación del poste, la ubicación del poste, la exposición a sustancias corrosivas tales como pesticidas, herbicidas o sales son factores importantes.
- Si requiere asistencia técnica, comuníquese con el Departamento de Servicio al Cliente.
- Se recomienda que el ajuste de la altura se realice bajo la supervisión de un adulto.

*La mayoría de las lesiones son causadas por el uso inadecuado y/o por el incumplimiento de las instrucciones. Tenga cuidado cuando use este sistema.*

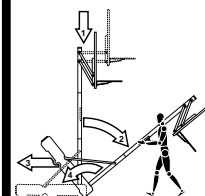
## RÉGLAGE DE LA HAUTEUR

POUR AJUSTER LE PANNEAU :

1. Tout en tenant la poignée, retirez la goupille.
2. Montez ou abaissez le système éleveur jusqu'à la hauteur voulue.
3. Remettez la goupille à sa place en l'enfonçant à fond, pour bloquer le système à la hauteur désirée.



## DÉPLACEMENT DU SYSTÈME



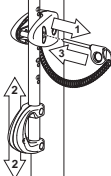
1. Placez le panneau de basket-ball à sa position la plus basse.
2. Tout en tenant le poteau, tournez le système de basket-ball vers l'avant jusqu'à ce que les roues touchent le sol.
3. Amenez le système de basket-ball à l'emplacement désiré.
4. Redressez avec précaution le système de basket-ball.
5. Vérifiez la stabilité du système.

FR511679 05/05

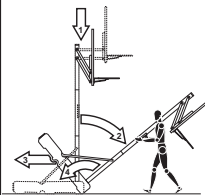
## HÖHENEINSTELLUNG

EINSTELLEN DER KORBWAND:

1. Bei festgehaltenem Griff den Stift herausziehen.
2. Die Verlängerungsvorrichtung bis zur gewünschten Höhe nach oben oder unten verschieben.
3. Den Stift zum Verriegeln des Systems auf der gewünschten Höhe ganz hineinschieben.



## TRANSPORTSYSTEM



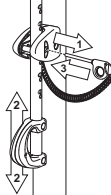
1. Die Basketball-Korbwand auf die niedrigste Position einstellen.
2. Die Stange festhalten; zur selben Zeit das Basketballsystem nach vorne drehen, bis die Räder den Boden berühren.
3. Das Basketballsystem an den gewünschten Ort fahren.
4. Das Basketballsystem vorsichtig in die aufrechte Position drehen.
5. Die Stabilität des Systems überprüfen.

GE511679 05/05

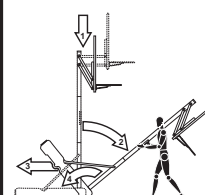
## AJUSTE DE LA ALTURA

PARA AJUSTAR EL RESPALDO:

1. Mientras sujeta la manija, quite el pasador.
2. Mueva el elevador hacia arriba o hacia abajo a la altura deseada.
3. Vuelva a colocar el pasador a toda su longitud para fijar el sistema a la altura deseada.

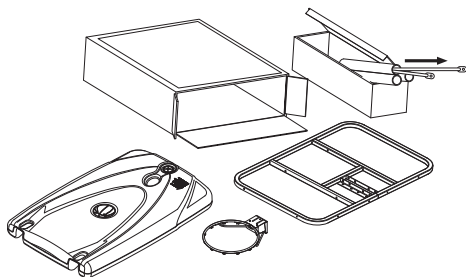


## MOVIMIENTO DEL SISTEMA



1. Ajuste la altura del respaldo de baloncesto a la posición más baja.
2. Mientras sujeta el poste, gire hacia adelante el sistema de baloncesto hasta que las ruedas toquen el piso.
3. Mueva el sistema de baloncesto a la ubicación deseada.
4. Gire cuidadosamente el sistema de baloncesto hasta que quede en posición vertical.
5. Revise la estabilidad del sistema.

SP511679 05/05



### **IMPORTANT!**

Videz entièrement les boîtes.

Veillez à vérifier l'intérieur des sections de poteau.

La quincaillerie et des pièces supplémentaires sont emballées à l'intérieur.

### **WICHTIG!**

Die Kartons vollständig auspacken.

Den Hohlraum in den Stangenteilen inspizieren.

Dort sind Befestigungs- und andere Kleinteile verpackt.

### **¡IMPORTANTE!**

Saque todo el contenido de las cajas.

Asegúrese de revisar el interior de las secciones del poste.

Ahí se han empacado herraje y piezas adicionales.



Des questions ou des pièces manquantes ?

**NE RETOURNEZ PAS au magasin !**

Appelez le numéro du service clientèle (NUMÉRO GRATUIT) qui figure en première page!



Fragen oder fehlende Teile?

**Gehen Sie NICHT zum Laden zurück!**

Rufen Sie die GEBÜHRENFREIE Telefonnummer (in den USA und Kanada) auf der Vorderseite an!



¿Tiene preguntas o le faltan piezas?

**¡NO regrese a la tienda!**

¡Llame al número telefónico GRATUITO de Servicio al Cliente que se indica en la primera página!

**AVERTISSEMENT:** SI VOTRE SYSTÈME EST ÉQUIPÉ D'UN PANNEAU EN ACRYLIQUE, EXAMINEZ-LE BIEN POUR VOUS ASSURER QU'IL N'A PAS ÉTÉ ENDOMMAGÉ EN COURS DE TRANSPORT. S'IL EST FISSURÉ, IL RISQUE DE SE CASSER SUBITEMENT. SI LE PANNEAU EST ENDOMMAGÉ D'UNE QUELCONQUE MANIÈRE AVANT OU APRÈS L'ASSEMBLAGE, APPELEZ LE NUMÉRO SANS FRAIS: États-Unis 1-800-558-5234 ; CANADA : 1-800-284-8339 ; <http://www.huffysports.com>

**WARNUNG:** BEI EINEM MIT EINER ACRYL-RÜCKWAND AUSGESTATTETEN SYSTEM DIE KORBWAND AUF EVENTUELLE SCHÄDEN UNTERSUCHEN, DIE WÄHREND DES VERSANDS EINGETRETEN SEIN KÖNNEN. SPRÜNGE IN DER KORBWAND KÖNNEN ZU DEREN PLÖTZLICHEM BRUCH FÜHREN. WENN DIE KORBWAND VOR ODER NACH DEM ZUSAMMENBAU IN JEDLICHER WEISE BESCHÄDIGT WIRD, RUFEN SIE DIE FOLGENDE GEBÜHRENFREIE TELEFONNUMMER AN: Innerhalb der USA: 1-800-558-5234; innerhalb KANADAS: 1-800-284-8339; <http://www.huffysports.com>

**ADVERTENCIA:** SI SU SISTEMA ESTÁ EQUIPADO CON UN RESPALDO DE ACRÍLICO, EXAMINE EL RESPALDO PARA VERIFICAR QUE NO HAYA SUFRIDO DAÑOS DURANTE EL TRANSPORTE. LA PRESENCIA DE GRIETAS EN EL RESPALDO PODRÍA OCASIONAR SU ROMPIMIENTO REPENTINO. SI EL RESPALDO SE DAÑA DE ALGUNA MANERA ANTES O DESPUÉS DE SU MONTAJE, LLAME AL NÚMERO TELEFÓNICO SIN COSTO: EE. UU. 1-800-558-5234; CANADÁ: 1-800-284-8339; <http://www.huffysports.com>

#### **ENREGISTREMENT DU PRODUIT :**

Rappelez-vous de remplir votre formulaire d'inscription du produit en ligne sur la page [www.huffysports.com/customer\\_support/product\\_registration](http://www.huffysports.com/customer_support/product_registration).

#### **PRODUKTREGISTRIERUNG:**

Bitte vergessen Sie nicht, das Produktregistrierungsformular online unter [www.huffysports.com/customer\\_support/product\\_registration](http://www.huffysports.com/customer_support/product_registration) auszufüllen.

#### **REGISTRO DEL PRODUCTO:**

Por favor recuerde completar en línea el formulario de registro de su producto en: [www.huffysports.com/customer\\_support/product\\_registration](http://www.huffysports.com/customer_support/product_registration).

## **AVIS AUX PERSONNES CHARGÉES DU MONTAGE**

*Assemblage exclusivement réservé à un adulte. Jetez TOUT le matériel d'emballage dans les plus brefs délais.*

**TOUS** les systèmes de basket-ball Huffy Sports, y compris ceux utilisés en EXPOSITION, **DOIVENT** être assemblés et lestés de sable ou d'eau, selon les instructions. Suivez ces instructions sous peine d'encourir des **BLESSURES GRAVES**. Il est **INACCEPTABLE** de composer un système de lestage de fortune.

## **HINWEIS FÜR DIE PERSONEN, DIE DEN ZUSAMMENBAU DURCHFÜHREN**

*Zusammenbau nur durch Erwachsene ALLE Verpackungsmaterialien sofort wegwerfen. Wie alle für Kinder vorgesehene Produkte muss auch dieses regelmäßig auf lose Kleinteile inspiziert werden.*

**ALLE** Basketballsysteme von Huffy Sports, einschließlich der zu Demonstrationszwecken benutzten Systeme, müssen gemäß der Montageanleitung zusammengebaut und mit Sand oder Wasser beschwert werden. Ein Missachten dieser Anleitung kann **SCHWERE VERLETZUNGEN** zur Folge haben. Zum Beschweren darf **NICHT** zu irgendwelchen Notbehelfsmaßnahmen gegriffen werden.

## **AVISO PARA LAS PERSONAS QUE REALIZAN EL MONTAJE**

*Il montaggio va eseguito da persone adulte. Eliminare prontamente TUTTI i materiali di imballaggio.*

**TODOS** los sistemas de baloncesto de Huffy Sports, inclusive los usados para EXHIBICIÓN, **DEBEN** estar montados y equilibrados con arena o agua, de acuerdo con las instrucciones. Si se ignoran estas instrucciones se podría ocasionar una **LESIÓN GRAVE**. **NO** es aceptable improvisar un sistema de pesas provisional.

# LISTE DES PIÈCES

## FRANÇAIS

**Légende Qté No. de réf. Description**

<input type="checkbox"/>	1	1	266000	Socle
<input type="checkbox"/>	2	2	908184	Contrefiche, poteau/socle
<input type="checkbox"/>	3	1	804833	Ensemble hauteur Exacta
<input type="checkbox"/>	4	1	FR908006	Section de poteau supérieure
<input type="checkbox"/>	5	1	FR918107	Section de poteau centrale
<input type="checkbox"/>	6	1	FR908179	Section de poteau inférieure
<input type="checkbox"/>	7	2	108183	Support de roues
<input type="checkbox"/>	8	2	266200	Roue, 10 cm
<input type="checkbox"/>	9	2	108182	Tige, axe
<input type="checkbox"/>	10	1	203099	Écrou, Ny-lock, 5/16-18
<input type="checkbox"/>	11	6	203063	Contre-écrou en nylon, 3/8-16
<input type="checkbox"/>	12	1	202662	Boulon, tête à six pans, 5/16-18 x 11,4 cm (long.)
<input type="checkbox"/>	13	4	206938	Écrou, diamètre d'axe 11 mm
<input type="checkbox"/>	14	9	203100	Écrou à bride à 6 pans, 5/16-18
<input type="checkbox"/>	15	1	204832	Support, poteau
<input type="checkbox"/>	16	2	203053	Boulon ordinaire, 5/16-18 x 4 cm long.
<input type="checkbox"/>	17	4	203232	Rondelle, plate 19 mm D.E.
<input type="checkbox"/>	18	4	204962	Boulon, tête à six pans, 5/16-18 x 15,8 mm long.
<input type="checkbox"/>	19	4	206360	Boulon, tête à six pans, 3/8-16 x 6,6 cm (long.)
<input type="checkbox"/>	20	2	204858	Entretoise, Biscuit, plastique
<input type="checkbox"/>	21	2	204857	Entretoise, métallique 12 mm D.E. x 3,6 cm (long.)
<input type="checkbox"/>	22	2	204859	Protection, goupille
<input type="checkbox"/>	23	1	203038	Boulon ordinaire, 5/16-18 x 7 cm (long.)
<input type="checkbox"/>	24	1	204850	Goupille, blocage
<input type="checkbox"/>	25	1	204853	Cordon, spirale, noir
<input type="checkbox"/>	26	4	203527	Entretoise, 13,4 mm D.I. x 3,8 cm (long.)
<input type="checkbox"/>	27	2	908256	Support, panneau
<input type="checkbox"/>	28	1	266100	Couvercle, avant
<input type="checkbox"/>	29	6	206244	Boulon, six pans, 1/2-13 x 8 de long.
<input type="checkbox"/>	30	4	201642	Entretoise, plastique, 13,4 mm D.I. x 1,6 cm (long.)
<input type="checkbox"/>	31	7	206340	Contre-écrou, six pans, 1/2-13
<input type="checkbox"/>	32	2	904820	Tube du système élévateur, inférieur - Long

**Légende Qté No. de réf. Description**

<input type="checkbox"/>	33	1	204837	Ressort, contrepoids
<input type="checkbox"/>	34	1		Cerceau
<input type="checkbox"/>	35	2	904808	Tube du système élévateur, supérieur - Court
<input type="checkbox"/>	36	2	201682	Entretoise, 13,4 mm D.I. x 4,7 cm
<input type="checkbox"/>	37	2	900867	Plaque triangulaire (noire)
<input type="checkbox"/>	38	1	207103	Capuchon, haut du poteau
<input type="checkbox"/>	39	2	200520	Vis, #8 x 19 mm long.
<input type="checkbox"/>	40	1	202605	Boulon, 6 pans, 1/2-13 x 10,7 cm (long)
<input type="checkbox"/>	41	1	266300	Bouchon, socle
<input type="checkbox"/>	42	1	206990	Support de renforcement
<input type="checkbox"/>	43	1		Filet
<input type="checkbox"/>	44	4*	205528	Boulon, bride, six pans, 5/16-18 x 2,54 cm (long.)
<input type="checkbox"/>	45	4	203309	Rondelle, plate 3/8
<input type="checkbox"/>	46	1	511679	Étiquette, réglage de hauteur et déplacement
<input type="checkbox"/>	47	6	203738	Boulon ordinaire, 5/16-18 x 4,5 cm long.
<input type="checkbox"/>	48	6	200982	Écrou, 5/16-18
<input type="checkbox"/>	49	1	108181	Plaque, fixation de poteau
<input type="checkbox"/>	50	2	203331	Boulon, tête à six pans, 3/8-16 x 4,5 cm long.
<input type="checkbox"/>	51	6	203218	Rondelle, plate, 5/16
<input type="checkbox"/>	52	4	204961	Boulon, tête à six pans, 3/8-16 x 0,625 (long.)
<input type="checkbox"/>	53	1	200516	Cache, boulon, vinyle
<input type="checkbox"/>	54	1	900033	Support, Slam Jam
<input type="checkbox"/>	55	1	203796	Boulon, T, 3/8-16 x 12,7 cm long.
<input type="checkbox"/>	56	1	200318	Support, renforcement, Slam Jam
<input type="checkbox"/>	57	1	203472	Ressort, cerceau
<input type="checkbox"/>	58	1	203795	Écrou, spécial, 3/8-16
<input type="checkbox"/>	59	1	203470	Rondelle, plate 38 mm D.E.
<input type="checkbox"/>	60	1	200503	Protection du ressort, (noir)
<input type="checkbox"/>			200504	Protection du ressort, (rouge)
<input type="checkbox"/>	61	1	202795	Étiquette, logo

\* IL EST POSSIBLE QUE VOUS AYEZ D'AUTRES PIÈCES AVEC CE MODÈLE.



## REMARQUE

**Le kit de visserie est conçu pour plus d'un style de système de basket-ball. Toute la visserie ne sera pas nécessairement utilisée.**

# TEILELISTE

## DEUTSCH

<u>Nr.</u>	<u>Anz.</u>	<u>Teilenummer</u>	<u>Beschreibung</u>	<u>Nr.</u>	<u>Anz.</u>	<u>Teilenummer</u>	<u>Beschreibung</u>	
<input type="checkbox"/>	1	266000	Sockel	<input type="checkbox"/>	33	1	204837	Gegengewichtsfeder
<input type="checkbox"/>	2	908184	Verstrebung, Stange zu Sockel	<input type="checkbox"/>	34	1		Korbrand
<input type="checkbox"/>	3	804833	Exacta-Höheneinstellkomponenten	<input type="checkbox"/>	35	2	904808	Oberes Verlängerungsrohr – kurz
<input type="checkbox"/>	4	FR908006	Oberes Stangenteil	<input type="checkbox"/>	36	2	201682	Abstandsstück, 0,530" ID x 1,875" Länge
<input type="checkbox"/>	5	FR918107	Mittleres Stangenteil	<input type="checkbox"/>	37	2	900867	Dreiecksplatte (schwarz)
<input type="checkbox"/>	6	FR908179	Unteres Stangenteil	<input type="checkbox"/>	38	1	207103	Stangenendkappe
<input type="checkbox"/>	7	108183	Radhalterung	<input type="checkbox"/>	39	2	200520	Kreuzschlitzschraube Nr. 8, 3/4" Länge
<input type="checkbox"/>	8	266200	Rad, 4 Zoll Durchmesser	<input type="checkbox"/>	40	1	202605	Sechskantschraube, 1/2-13 x 4,25" Länge
<input type="checkbox"/>	9	108182	Achsenstange	<input type="checkbox"/>	41	1	266300	Deckel, Sockel
<input type="checkbox"/>	10	203099	Ny-Lock-Mutter, 5/16-18	<input type="checkbox"/>	42	1	206990	Verstärkungshalterung
<input type="checkbox"/>	11	203063	Nylon-Einschraubgegenmutter, 3/8-16	<input type="checkbox"/>	43	1		Netz
<input type="checkbox"/>	12	202662	Sechskantkopfschraube, 5/16-18 x 4-1/2 Länge	<input type="checkbox"/>	44	4*	205528	Sechskant-Flanschschaube, 5/16-18 x 1 Länge
<input type="checkbox"/>	13	206938	Druckmutter, 7/16 Wellendurchmesser	<input type="checkbox"/>	45	4	203309	Flache Unterlegscheibe, 3/8
<input type="checkbox"/>	14	203100	Sechskant-Flanshmutter, 5/16-18	<input type="checkbox"/>	46	1	511679	Höheneinstell- und Transportaufkleber
<input type="checkbox"/>	15	204832	Stangenmontageklammer				FR511679	
<input type="checkbox"/>	16	203053	Schlossschraube, 5/16-18 x 4 Länge	<input type="checkbox"/>	47	6	203738	Schlossschraube, 5/16-18 x 1,75" Länge
<input type="checkbox"/>	17	203232	Flache Unterlegscheibe, 3/4" AD	<input type="checkbox"/>	48	6	200982	Nylock-Mutter, 5/16-18
<input type="checkbox"/>	18	204962	Sechskantkopfschraube, 5/16-18 x 0,625 Länge	<input type="checkbox"/>	49	1	108181	Stangenmontageplatte
<input type="checkbox"/>	19	206360	Sechskantkopfschraube, 3/8-16 x 2-5/8 Länge	<input type="checkbox"/>	50	2	203331	Sechskantkopfschraube, 3/8-16 x 1,5" Länge
<input type="checkbox"/>	20	204858	Abstandsstück, rund, Plastik	<input type="checkbox"/>	51	6	203218	Flache Unterlegscheibe, 5/16
<input type="checkbox"/>	21	204857	Abstandsstück, Metall, 1/2" AD x 1,44" Länge	<input type="checkbox"/>	52	4	204961	Sechskantkopfschraube, 3/8-16 x 0,625" Länge
<input type="checkbox"/>	22	204859	Stiftschiebeabdeckung	<input type="checkbox"/>	53	1	200516	Schraubenendabdeckung, Vinyl
<input type="checkbox"/>	23	203038	Schlossschraube, 5/16-18 x 2-3/4 Länge	<input type="checkbox"/>	54	1	900033	Slam Jam-Halterung
<input type="checkbox"/>	24	204850	Verriegelungsstift	<input type="checkbox"/>	55	1	203796	T-Nutenschraube, 3/8-16 x 5" Länge
<input type="checkbox"/>	25	204853	Abzugsleine, schwarze Rolle	<input type="checkbox"/>	56	1	200318	Slam Jam-Verstärkungshalterung
<input type="checkbox"/>	26	203527	Abstandsstück, 0,530" ID x 1,5" Länge	<input type="checkbox"/>	57	1	203472	Korbrandfeder
<input type="checkbox"/>	27	908256	Korbwandstützklammer	<input type="checkbox"/>	58	1	203795	Spezialmutter, 3/8-16
<input type="checkbox"/>	28	266100	Frontabdeckung	<input type="checkbox"/>	59	1	203470	Flache Unterlegscheibe, 1,5" AD
<input type="checkbox"/>	29	206244	Sechskantkopfschraube, 1/2-13 x 8 Länge	<input type="checkbox"/>	60	6	200503	Abdeckung, schwarz
<input type="checkbox"/>	30	201642	Abstandsstück, Plastik, 0,530" ID x 0,625" Länge	<input type="checkbox"/>	60	6	200504	Abdeckung, rot
<input type="checkbox"/>	31	206340	Sechskant-Gegenmutter, 1/2-13	<input type="checkbox"/>	61	6	202795	Firmenschild
<input type="checkbox"/>	32	904820	Unteres Verlängerungsrohr – lang					

\* DIESEM MODELL KÖNNEN ZUSÄTZLICHE TEILE  
BEIGEPACKT SEIN.



### HINWEIS:

Die beiliegenden Befestigungsteile sind für  
mehr als eine Ausführung des  
Basketballsystems vorgesehen. Es werden  
nicht alle Befestigungsteile benötigt.



# LISTA DE PIEZAS

## ESPAÑOL

<u>Artículo</u>	<u>Cant.</u>	<u>Pieza N.º</u>	<u>Descripción</u>					
<input type="checkbox"/>	1	266000	Base	<input type="checkbox"/>	33	1	204837	Resorte, contrapeso
<input type="checkbox"/>	2	908184	Puntal, poste a base	<input type="checkbox"/>	34	1		Borde
<input type="checkbox"/>	3	804833	Conjunto Exacta Height	<input type="checkbox"/>	35	2	904808	Tubo elevador, superior (corto)
<input type="checkbox"/>	4	FR908006	Sección superior del poste	<input type="checkbox"/>	36	2	201682	Espaciador, .530 D.I. x 1.875
<input type="checkbox"/>	5	FR918107	Sección media del poste	<input type="checkbox"/>	37	2	900867	Placa triangular, (negra)
<input type="checkbox"/>	6	FR908179	Sección inferior del poste	<input type="checkbox"/>	38	1	207103	Tapa, parte superior del poste
<input type="checkbox"/>	7	108183	Soporte de la rueda	<input type="checkbox"/>	39	2	200520	Tornillo, #8 x 3/4 de longitud
<input type="checkbox"/>	8	266200	Rueda, 4 pulgadas	<input type="checkbox"/>	40	1	202605	Perno hexagonal 1/2-13 x 4.25 de longitud
<input type="checkbox"/>	9	108182	Varilla, eje	<input type="checkbox"/>	41	1	266300	Tapa, base
<input type="checkbox"/>	10	203099	Tuerca, Ny-lock, 5/16-18	<input type="checkbox"/>	42	1	206990	Soporte de refuerzo
<input type="checkbox"/>	11	203063	Tuerca de nilón del inserto de seguridad, 3/8-16	<input type="checkbox"/>	43	1		Red
<input type="checkbox"/>	12	202662	Perno, cabeza hexagonal, 5/16-18 x 4-1/2 de longitud	<input type="checkbox"/>	44	4*	205528	Perno, cabeza hexagonal, 5/16-18 x 1 de longitud
<input type="checkbox"/>	13	206938	Tuerca dentada, eje del diámetro de 7/16	<input type="checkbox"/>	45	4	203309	Arandela plana, 3/8
<input type="checkbox"/>	14	203100	Tuerca, brida hexagonal, 5/16-18	<input type="checkbox"/>	46	1	511679	Etiqueta, ajuste de la altura y de movimiento
<input type="checkbox"/>	15	204832	Soporte, montaje del poste	<input type="checkbox"/>	47	6	203738	Perno cabeza de carro, 5/16-18 x 1.75 de longitud
<input type="checkbox"/>	16	203053	Perno cabeza de carro, 5/16-18 x 4 de longitud	<input type="checkbox"/>	48	6	200982	Contratuerca, 5/16-18
<input type="checkbox"/>	17	203232	Arandela, plana, 3/4" D.E.	<input type="checkbox"/>	49	1	108181	Placa, montaje del poste
<input type="checkbox"/>	18	204962	Perno, cabeza hexagonal, 5/16-18 x .625 de longitud	<input type="checkbox"/>	50	2	203331	Perno, cabeza hexagonal, 3/8-16 x 1.5 de longitud
<input type="checkbox"/>	19	206360	Perno, cabeza hexagonal, 3/8-16 x 2-5/8 de longitud	<input type="checkbox"/>	51	6	203218	Arandela plana, 5/16
<input type="checkbox"/>	20	204858	Espaciador, oblongo, plástico	<input type="checkbox"/>	52	4	204961	Perno, cabeza hexagonal, 3/8-16 x 0.625 de longitud
<input type="checkbox"/>	21	204857	Espaciador, metálico de 1/2" de D.E. x 1.44 de largo	<input type="checkbox"/>	53	1	200516	Cubierta, extremo del perno, vinilo
<input type="checkbox"/>	22	204859	Cubierta, corredera de perno	<input type="checkbox"/>	54	1	900033	Soporte Slam Jam
<input type="checkbox"/>	23	203038	Perno cabeza de carro, 5/16-18 x 2-3/4 de longitud	<input type="checkbox"/>	55	1	203796	Perno, en T, 3/8-16, 5" de longitud
<input type="checkbox"/>	24	204850	Perno de fijación	<input type="checkbox"/>	56	1	200318	Soporte de refuerzo, Slam Jam
<input type="checkbox"/>	25	204853	Acollador, espiral negro	<input type="checkbox"/>	57	1	203472	Resorte, borde
<input type="checkbox"/>	26	203527	Espaciador, .530 D.I. x 1.5 de largo	<input type="checkbox"/>	58	1	203795	Tuerca, especial 3/8-16
<input type="checkbox"/>	27	908256	Soporte del respaldo	<input type="checkbox"/>	59	1	203470	Arandela, plana, 1.5 D.E.
<input type="checkbox"/>	28	266100	Cubierta frontal	<input type="checkbox"/>	60	6	200503	Cubierta, negra
<input type="checkbox"/>	29	206244	Perno, cabeza hexagonal, 1/2-13 x 8 de longitud	<input type="checkbox"/>	61	6	200504	Cubierta, rojo
<input type="checkbox"/>	30	201642	Espaciador, plástico, .530 D.I. x .625 de largo				202795	Etiqueta del logotipo
<input type="checkbox"/>	31	206340	Contratuerca, hexagonal, 1/2-13					
<input type="checkbox"/>	32	904820	Tubo elevador, inferior (largo)					

\* PUEDE HABER PIEZAS ADICIONALES EN ESTE MODELO.

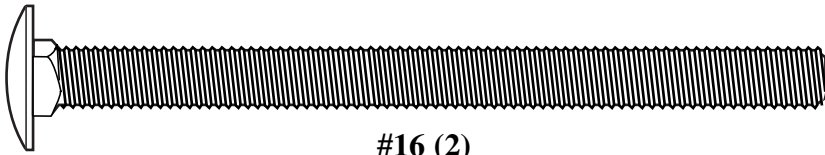
**Artículo Cant. Pieza N.º Descripción**



## NOTA:

**El juego de herraje está diseñado para más de un estilo de sistemas de baloncesto. No se usará todo el herraje.**

**IDENTIFICATION DES PIÈCES (BOULONS & VIS)  
 BEFESTIGUNGSTEILESCHLÜSSEL (BOLZEN UND SCHRAUBEN)  
 IDENTIFICADOR DE HERRAJE (PERNOS Y TORNILLOS)**



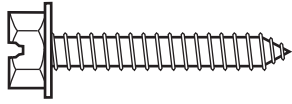
#16 (2)



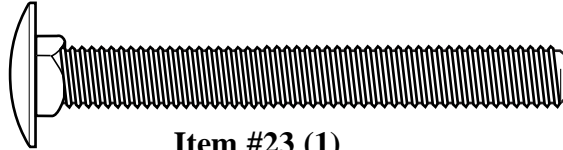
#19 (2)



#29 (6)



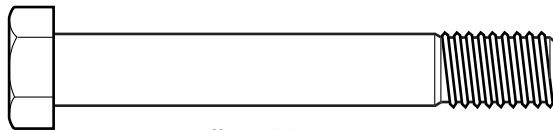
#63 (6)



Item #23 (1)



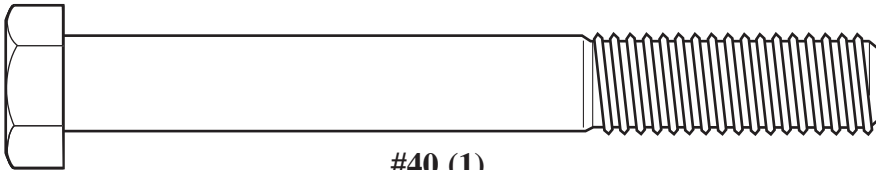
#47 (6)



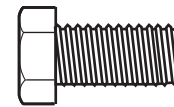
#19 (2)



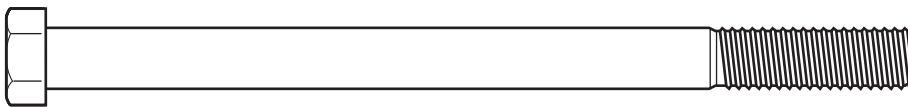
#39 (2)



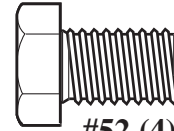
#40 (1)



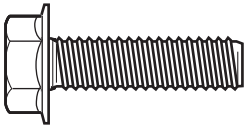
#18 (4)



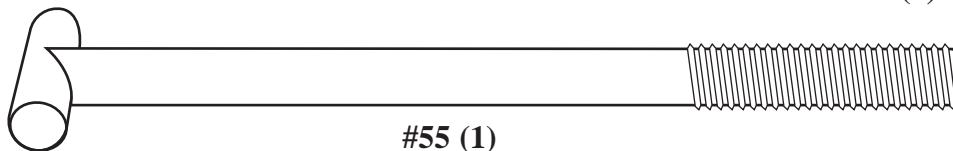
#12 (1)



#52 (4)

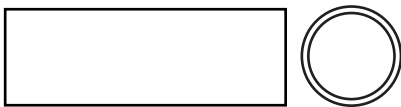


#44 (4)\*



#55 (1)

**IDENTIFICATION DES PIÈCES (ENTRETOISES EN ACIER)  
 BEFESTIGUNGSTEILESCHLÜSSEL (ABSTANDSSTÜCKE AUS STAHL)  
 IDENTIFICADOR DEL HERRAJE (ESPACIADORES DE ACERO)**



#21 (2)



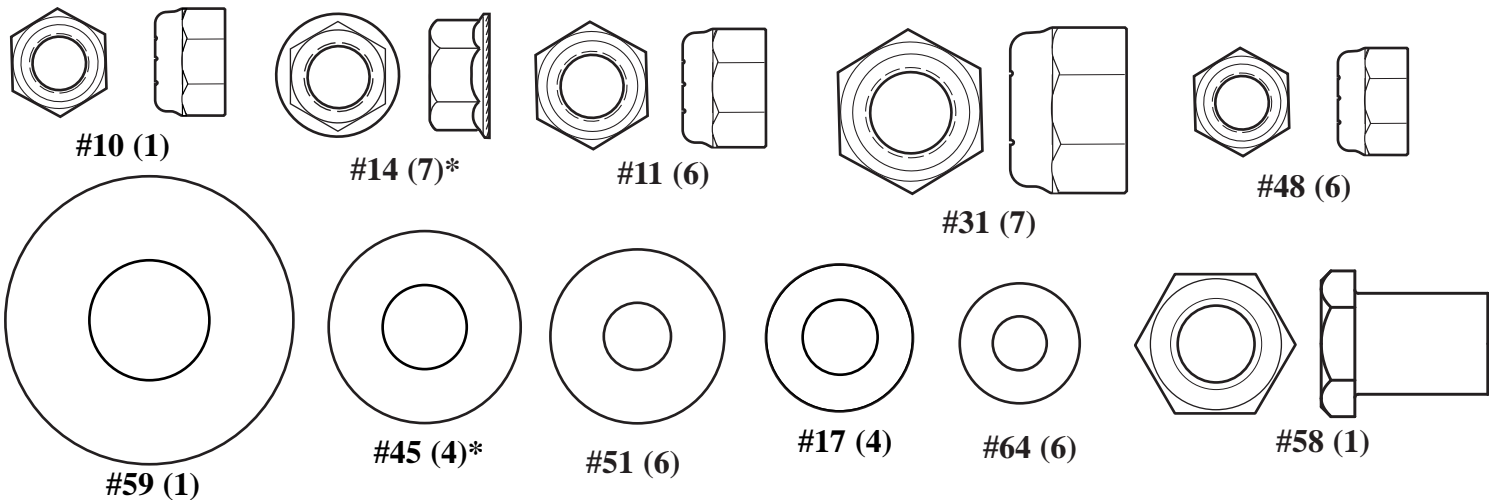
#9 (2)

\* IL EST POSSIBLE QUE VOUS AYEZ D'AUTRES PIÈCES AVEC CE MODÈLE.

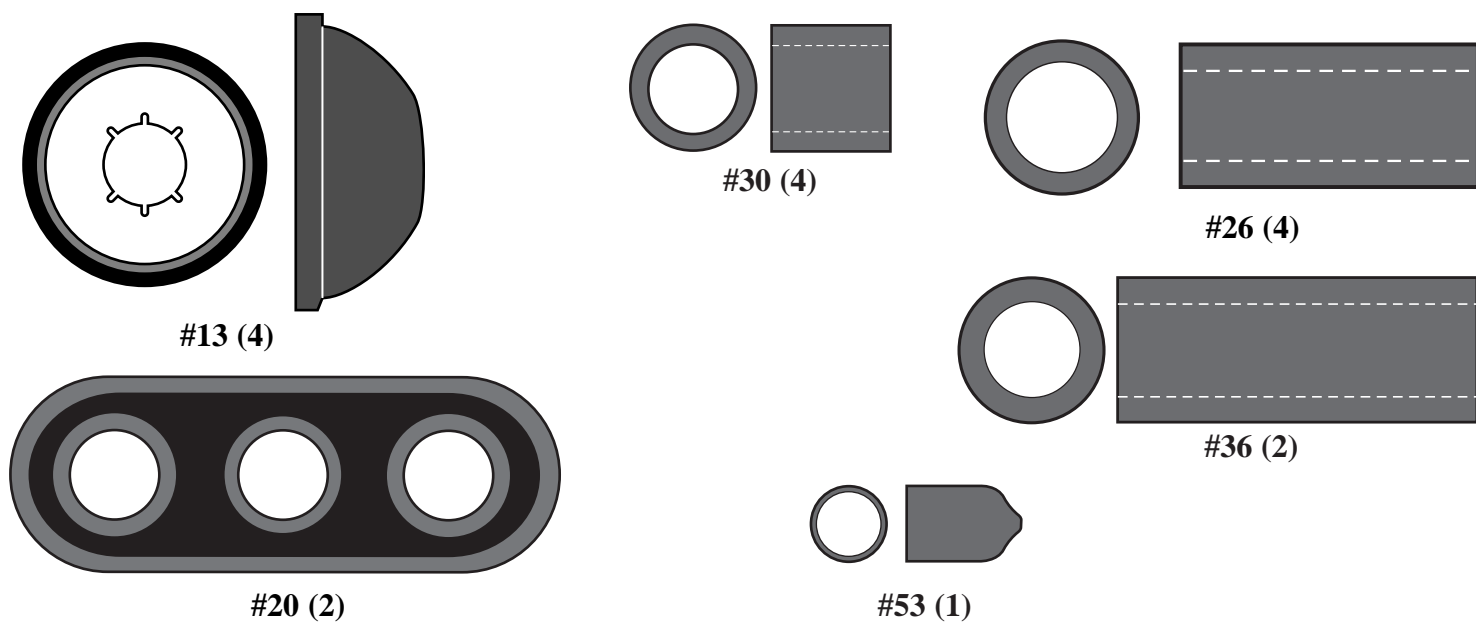
\* DIESEM MODELL KÖNNEN ZUSÄTZLICHE TEILE BEIGEPACKT SEIN.

\* PUEDE HABER PIEZAS ADICIONALES EN ESTE MODELO.

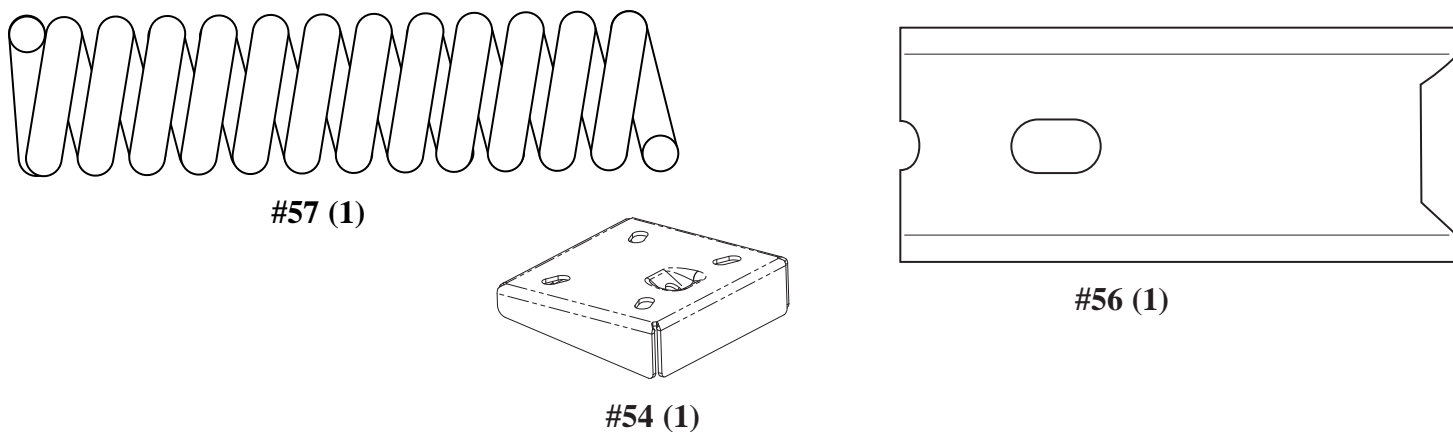
**IDENTIFICATION DES PIÈCES (ÉCROUS & RONDELLES)**  
**BEFESTIGUNGSTEILESCHLÜSSEL (MUTTERN UND UNTERLEGSCHLEIBEN)**  
**IDENTIFICADOR DE HERRAJE (TUERCAS Y ARANDELAS)**



**IDENTIFICATION DES PIÈCES (ENTRETOISES, CAPUCHONS & PINCES EN PLASTIQUE)**  
**BEFESTIGUNGSTEILESCHLÜSSEL (ABSTANDSSTÜCKE, KAPPEN UND CLIPS AUS KUNSTSTOFF)**  
**IDENTIFICADORES DEL HERRAJE (TAPAS DE LOS ESPACIADORES Y SUJETADORES DE PLÁSTICO)**



**IDENTIFICATION DES PIÈCES (AUTRES)**  
**BEFESTIGUNGSTEILESCHLÜSSEL (SONSTIGE)**  
**IDENTIFICADOR DE HERRAJE (OTROS)**



# SECTION A : MONTAGE DU SOCLE

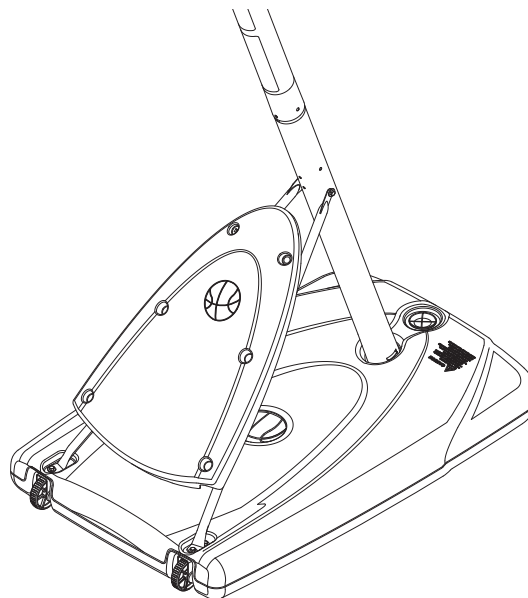
## BAUABSCHNITT A: ZUSAMMENBAU DES SOCKELS

### SECCIÓN A: MONTAJE DE LA BASE

Voici à quoi ressemblera votre système lorsque vous en aurez fini avec cette section:

So sieht das System aus, wenn Sie mit diesem Bauabschnitt fertig sind:

Así es como se verá su sistema cuando haya terminado esta sección:



#### OUTILS REQUIS POUR CETTE SECTION

#### FÜR DIESEN BAUABSCHNITT BENÖTIGTES WERKZEUG

#### HERRAMIENTAS REQUERIDAS PARA ESTA SECCIÓN

(2) Clés  
(2) Schraubenschlüssel  
(2) Llaves

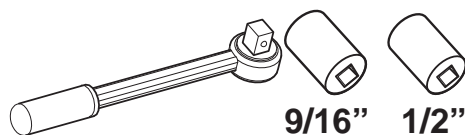


9/16" and 1/2"

ET/OU  
UND/ODER  
Y/O

(2) Clés à douilles et douilles  
(2) Steckschlüssel und Einsätze

(2) Llaves de tuercas de boca tubular y casquillos de



9/16"

1/2"

Extension de douille  
Einsatz mit Verlängerung  
Extensión de casquillo



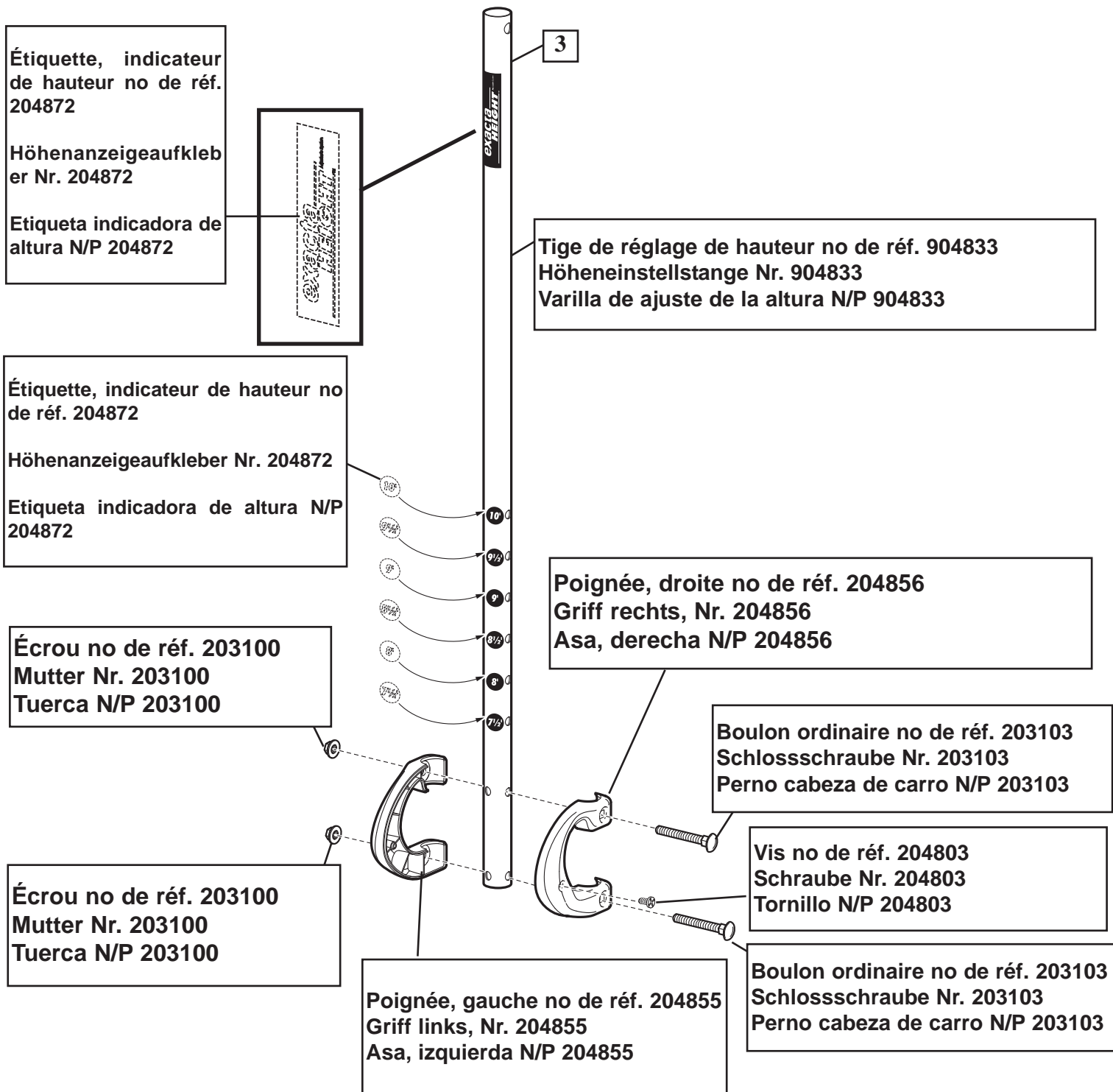
un tournevis cruciforme  
ein Kreuzschlitzschraubenzieher  
un destornillador Phillips

1.

Vérifiez le serrage des zones pré-assemblées suivantes de la poignée : Vis (no de réf. 2048032), écrou (no de réf. 203100), boulons ordinaires (no de réf. 203103).

Überprüfen Sie die folgenden vormontierten Griffbauteile auf ihren festen Sitz: Schraube Nr.2048032, Mutter Nr. 203100, Schlossschrauben Nr. 203103.

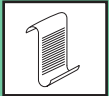
Revise que las siguientes áreas de las asas premontadas estén apretadas: Tornillo N/P 2048032, tuerca N/P 203100, pernos cabeza de carro N/P 203103



- 2.** Effectuez le montage des roues, comme indiqué à la figure A. Fixez le support de roues (7), la roue (8), l'axe (9) et les écrous (13) sur le réservoir (1) à l'aide du boulon (18) et de la rondelle (51). Faites de même pour la roue opposée.

Den Rest der Radmontage wie in Abbildung A gezeigt durchführen. Radhalterung (7), Rad (8), Achse (9) und Druckmutter (13) mit einer einzigen Schraube (18) und einer einzigen Unterlegscheibe (51) am Tank (1) befestigen. Das gleiche Verfahren für das andere Rad durchführen.

Complete el conjunto de la rueda como se muestra en la Figura A. Asegure el soporte de la rueda (7), la rueda (8), el eje (9) y las tuercas dentada (13) en el tanque (1) con un perno simple (18) y una arandela (51). Repita el procedimiento en la rueda opuesta.

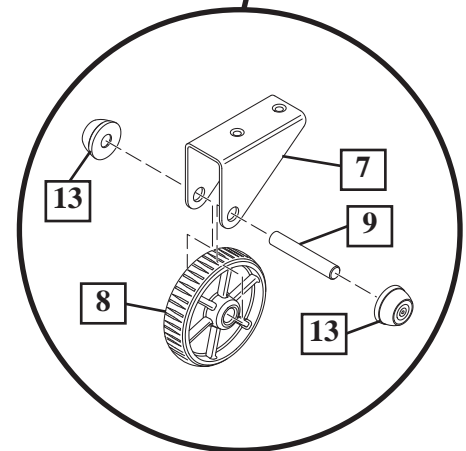
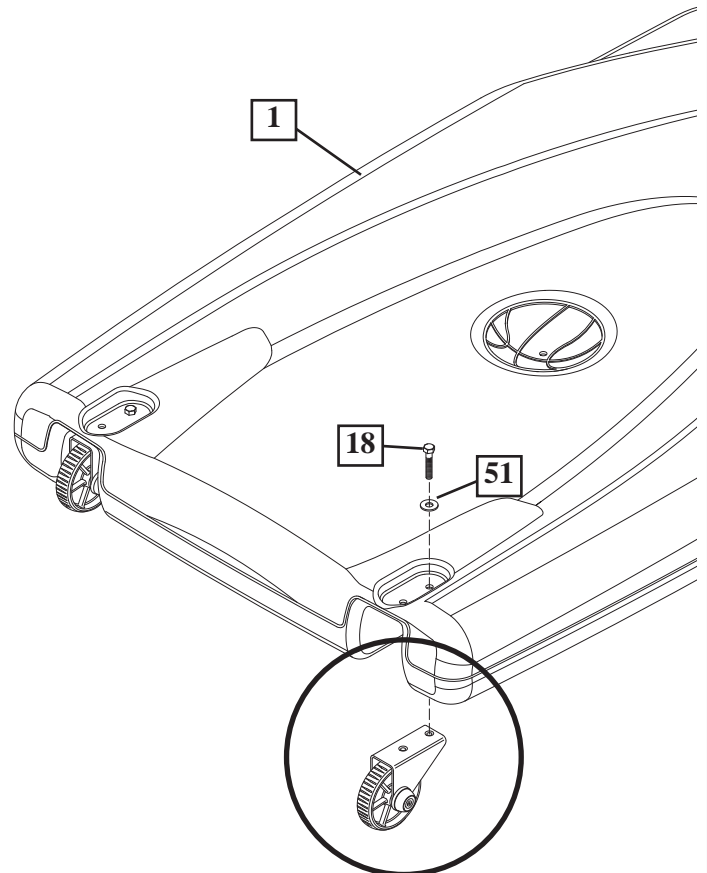


### NOTE / REMARQUE HINWEIS / NOTA:

N'installez pas les boulons dans la roue pour l'instant. Le boulon avant sera installé durant le montage de la contrefiche, à l'étape 3 de cette section.

Nicht beide Schrauben gleichzeitig in die Radbaugruppe eindrehen. Die vordere Schraube wird während der Befestigung der Verstrebungen in Schritt 3 dieses Abschnitts angebracht.

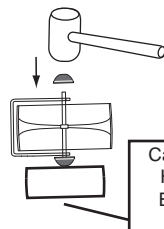
En este momento no instale ambos pernos en el conjunto de la rueda. El perno frontal será instalado durante el montaje del puntal en el paso 3 de esta sección.



**Fig. A**



### NOTE REMARQUE HINWEIS NOTA:



Cale en bois  
Holzblock  
Bloque de  
madera

#### POUR INSTALLER LE SECOND ÉCROU :

- Assemblez l'écrou, les roues, l'axe et le support de roues comme illustré.
- Soutenez l'ensemble écrou/axe à l'extrémité avec une cale de bois pour installer le second écrou sur l'axe.

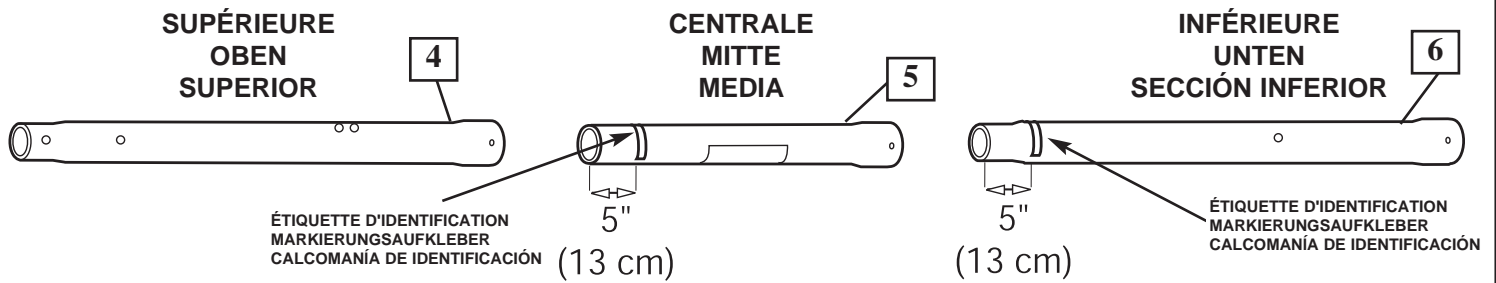
#### ANBRINGUNG DER ZWEITEN DRUCKMUTTER:

- Druckmutter, Räder, Achse und Radhalterung wie gezeigt zusammenbauen.
- Druckmutter/Achse vom Ende her auf einem Holzblock ablegen, um die zweite Druckmutter auf der Achse zu montieren.

#### PARA INSTALAR LA SEGUNDA TUERCA DENTADA:

- Monte la tuerca dentada, las ruedas, el eje y el soporte de la rueda como se muestra.
- Apoye la tuerca dentada/eje desde el extremo con un bloque de madera para instalar la segunda tuerca dentada en el eje.

- 2.** Placez des repères sur les sections de poteau avec du ruban adhésif (non fourni), comme illustré.  
Die Stangenteile wie gezeigt mit Klebeband (nicht im Lieferumfang enthalten) markieren.  
Marque con cinta las secciones del poste (no se suministran), como se muestra.



- 3.** Tout en maintenant l'alignement, entrechoquez les sections de poteau supérieure (4) et centrale (5) en utilisant une chute de bois, comme illustré, jusqu'à ce qu'elles ne bougent plus vers le repère de référence (ruban adhésif). Redressez l'ensemble.

Unter Wahrung der korrekten Ausrichtung das mittlere Stangenteil (5) wie gezeigt mit einem Holzstück in das obere Stangenteil (4) hineinklopfen, bis sich das obere Stangenteil nicht mehr auf die mit Klebeband markierte Stelle am mittleren Stangenteil zubewegt. Den Stangenaufbau aufrichten.

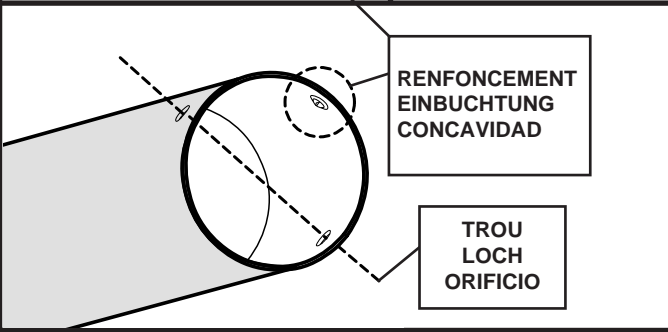
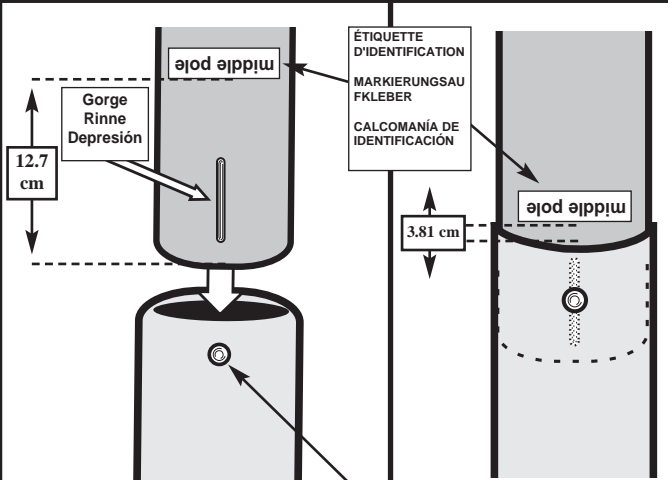
Mientras mantiene la alineación, golpee la sección media el poste (5) en la sección superior (4) usando un recorte de madera, como se muestra, hasta que la sección superior del poste ya no se mueva hacia la marca de referencia de cinta que se encuentra en la sección media del poste. Coloque el conjunto en posición vertical.

**IMPORTANT! / WICHTIG! / ¡IMPORTANTE!**

Alinee le petit creux de la section de poteau supérieure (4) dans la gorge de la section de poteau centrale (5), comme illustré.

Die Ausbuchtung im oberen Stangenteil (4) wie gezeigt mit der Rinne im mittleren Stangenteil (5) ausrichten.

Alinee la concavidad de la sección superior del poste (4) con la depresión de la sección media del poste (5) como se muestra.

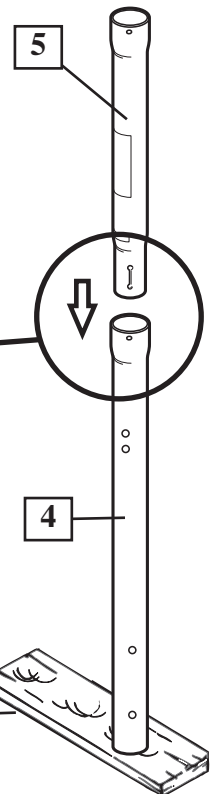


**ATTENTION !  
VORSICHT!  
¡PRECAUCIÓN!**

L'ÉTIQUETTE D'IDENTIFICATION SE SITUE À 12,7 CM (5") DE L'EXTRÉMITÉ DU POTEAU. LORSQU'ELLES SONT CORRECTEMENT EMBÔÎTÉES LES UNES DANS LES AUTRES, LES SECTIONS DE POTEAU DOIVENT SE CHEVAUCHER DE 8,89 CM (3-1/2") MINIMUM, EN LAISSANT 3,81 CM (1-1/2") ENTRE LA SECTION QUI CHEVAUCHE ET L'ÉTIQUETTE D'IDENTIFICATION.

DER MARKIERUNGS-AUFKLEBER BEFINDET SICH CA. 12,7 CM (5") VOM STANGENENDE. WENN DIE STANGENTEILE RICHTIG ZUSAMMENGESTAUCHT WURDEN, SOLLTEN SIE UM MINDESTENS 8,89 CM (3-1/2") ÜBERLAPPEN. DER ABSTAND ZWISCHEN DEM ÜBERLAPPENDEN STANGENTEIL UND DEM MARKIERUNGS-AUFKLEBER SOLLTE ALSO 3,81 CM (1-1/2") BETRAGEN.

LA CALCOMANÍA DE IDENTIFICACIÓN ESTÁ COLOCADA A 12,7 CM (5") DEL EXTREMO DEL POSTE. CUANDO ESTÁN ADECUADAMENTE EMBRAGADAS, LAS SECCIONES DEL POSTE DEBEN TENER UN TRASLAPE MÍNIMO DE 8,89 CM (3-1/2"), DEJANDO 3,81 CM (1-1/2") ENTRE EL POSTE TRASLAPADO Y LA CALCOMANÍA DE IDENTIFICACIÓN.



*Bout de bois  
(non fourni)*

*Holzstück  
(nicht im  
Lieferumfang  
enthalten)*

*Trozo de madera  
(No se suministra)*

4.

Entrechoquez l'ensemble sections supérieure (4) et centrale (5) avec la section inférieure (6) à l'aide d'une chute de bois, comme illustré. Entrechoquez-les jusqu'à ce que l'ensemble sections supérieure et centrale ne bougent plus vers le repère de référence (ruban adhésif) sur la section de poteau inférieure.

Den oberen (4) und mittleren Stangenaufbau (5) wie gezeigt mit einem Holzstück in das obere Stangenteil (6) hineinklopfen. Die Baugruppen zusammenstauchen, bis sich der obere und mittlere Stangenaufbau nicht mehr auf die mit Klebeband markierte Stelle am unteren Stangenteil zubewegen.

Golpee el conjunto de la sección superior del poste (4) y la sección media del poste (5) en la sección inferior del poste (6) usando un trozo de madera como se muestra. Siga golpeando hasta que el conjunto de las secciones superior y media del poste ya no se mueva hacia la marca de referencia de cinta que se encuentra en la sección inferior del poste.

**ATTENTION !**  
**VORSICHT!**  
**¡PRECAUCIÓN!**

L'ÉTIQUETTE D'IDENTIFICATION SE SITUE À 12,7 CM (5") DE L'EXTRÉMITÉ DU POTEAU. LORSQU'ELLES SONT CORRECTEMENT EMBOÎTÉES LES UNES DANS LES AUTRES, LES SECTIONS DE POTEAU DOIVENT SE CHEVAUCHER DE 8,89 CM (3-1/2") MINIMUM, EN LAISSANT 3,81 CM (1-1/2") ENTRE LA SECTION QUI CHEVAUCHE ET L'ÉTIQUETTE D'IDENTIFICATION.

DER MARKIERUNGS-AUFKLEBER BEFINDET SICH CA. 12,7 CM (5") VOM STANGENENDE. WENN DIE STANGENTEILE RICHTIG ZUSAMMENGESTAUCHT WURDEN, SOLLTEN SIE UM MINDESTENS 8,89 CM (3-1/2") ÜBERLAPPEN. DER ABSTAND ZWISCHEN DEM ÜBERLAPPENDEN STANGENTEIL UND DEM MARKIERUNGS-AUFKLEBER SOLLTE ALSO 3,81 CM (1-1/2") BETRAGEN.

LA CALCOMANÍA DE IDENTIFICACIÓN ESTÁ COLOCADA A 12,7 CM (5") DEL EXTREMO DEL POSTE. CUANDO ESTÁN ADECUADAMENTE EMBRAGADAS, LAS SECCIONES DEL POSTE DEBEN TENER UN TRASLAPÉ MÍNIMO DE 8,89 CM (3-1/2"), DEJANDO 3,81 CM (1-1/2") ENTRE EL POSTE TRASLAPADO Y LA CALCOMANÍA DE IDENTIFICACIÓN.

**IMPORTANT! / WICHTIG! / ¡IMPORTANTE!**

Alignez le petit creux de la section de poteau supérieure (5) sur la gorge de la section de poteau centrale (6), comme illustré.

Die Ausbuchtung im mittleren Stangenteil (5) wie gezeigt mit der Rinne im unteren Stangenteil (6) ausrichten.

Alinee la concavidad de la sección media del poste (5) con la depresión de la sección inferior del poste (6) como se muestra.

CES TIGES SONT ILLUSTRÉES UNIQUEMENT POUR INDIQUER L'ALIGNEMENT REQUIS. ELLES NE SONT PAS COMPRIS DANS LE MATÉRIEL FOURNI.

DIE HIER ABGEBILDETEN STÄBE DIENEN NUR DER BESSEREN VERANSCHAULICHUNG DER KORREKTEN AUSRICHTUNG; SIE SIND NICHT IM LIEFERUMFANG ENTHALTEN.

LAS VARILLAS SE MUESTRAN CON EL OBJETO DE REPRESENTAR VISUALMENTE LA ALINEACIÓN, Y NO SE SUMINISTRAN CON EL HERRAJE

*Bout de bois (non fourni)*

*Holzstück (nicht im Lieferumfang enthalten)*

*Trozo de madera (No se suministra)*



- 6.** Attachez le poteau au socle (1), comme illustré. Fixez le poteau au réservoir à l'aide des boulons (50) et du support de poteau (49), comme illustré.

Den Stangenaufbau wie gezeigt am Sockel (1) befestigen. Den Stangenaufbau mit Schrauben (50) und der Stangenmontagehalterung (49) wie gezeigt am Tank befestigen.

Conecte el conjunto del poste en la base (1) como se muestra. Asegure el conjunto del poste en el tanque usando los pernos (50) y el soporte de montaje del poste (49) como se muestra.



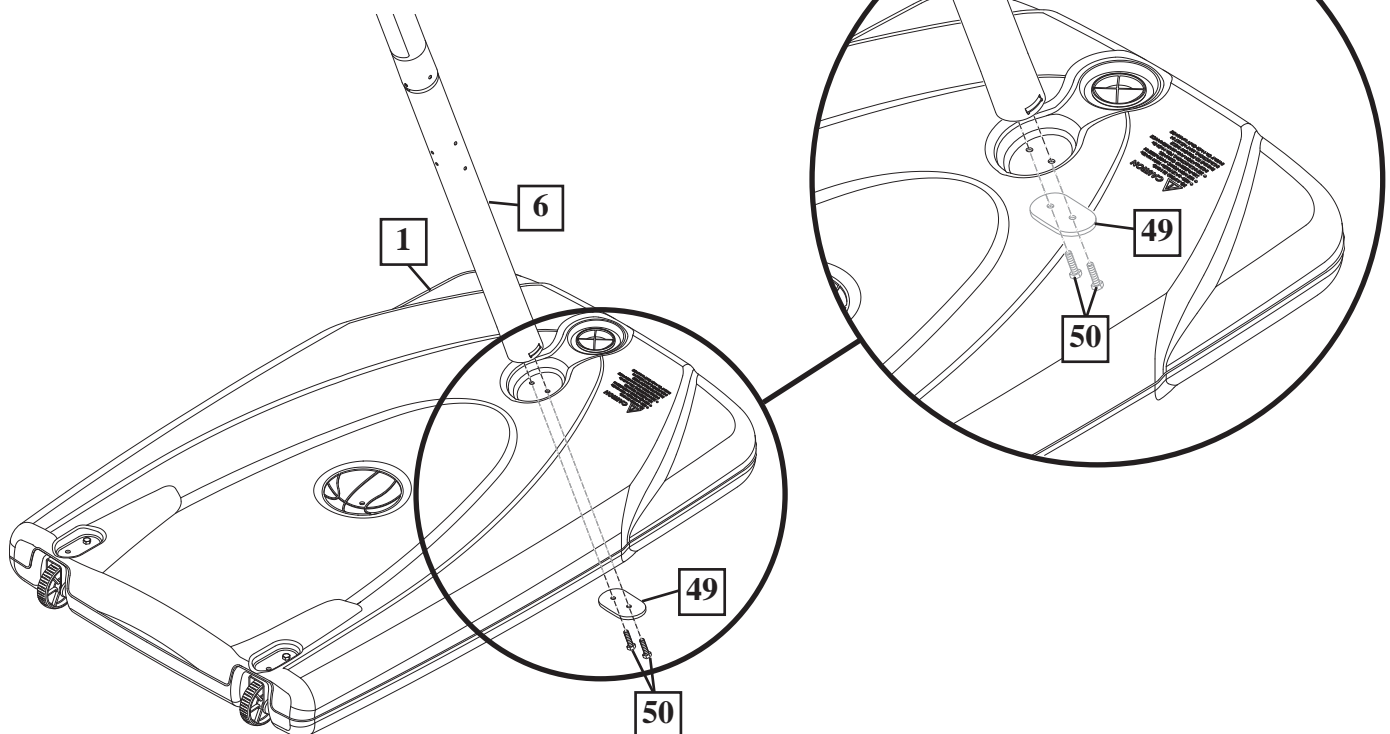
**AVERTISSEMENT !**  
**WARNING!**  
**¡ADVERTENCIA!**



Il est obligatoire de s'y prendre à deux pour cette procédure. SUIVEZ CET AVERTISSEMENT SOUS PEINE D'ENCOURIR DES BLESSURES GRAVES ET/OU DES DÉGÂTS MATÉRIELS.

Dieses Schritt muss von zwei Personen ausgeführt werden. EIN MISSACHTEN DIESER WARNUNG KANN ZU SCHWEREN VERLETZUNGEN UND/ODER SACHSCHÄDEN FÜHREN.

Se requieren dos personas para realizar este procedimiento. SI NO SE OBSERVA ESTA ADVERTENCIA SE PODRÍA OCASIONAR UNA lesión GRAVE Y/O DAÑOS A LA PROPIEDAD.



**7.** Fixez les contrefiches du réservoir (2) au poteau, de la façon illustrée. Coiffez l'extrémité dénudée du boulon avec un capuchon (53), comme illustré

Die Tankverstreben (2) wie gezeigt an der Stange befestigen. Die Abdeckung (53) wie gezeigt auf das freiliegende Ende der Schraube aufsetzen.

Fije los puntales del tanque (2) al poste como se muestra. Coloque la cubierta (53) sobre el extremo expuesto del perno como se muestra.

**IMPORTANT!**  
**WICHTIG!**  
**¡IMPORTANTE!**

NE SERREZ PAS LA VISSERIE À FOND.

DIE BEFESTIGUNGSTEILE NICHT FEST ANZIEHEN.

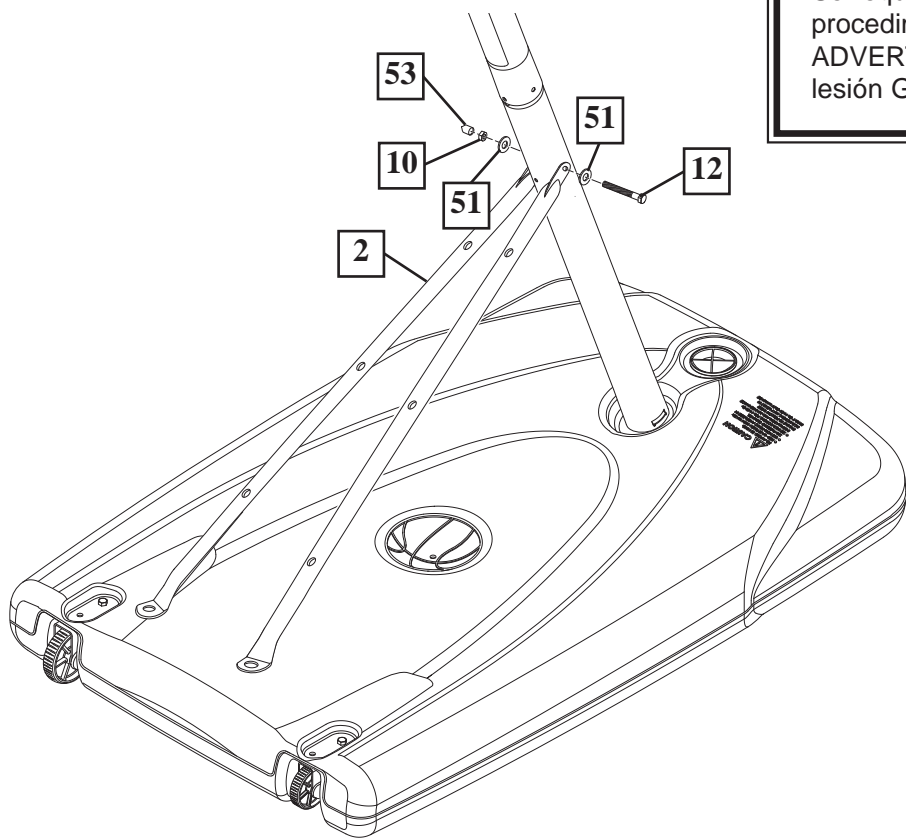
NO APRIETE COMPLETAMENTE EL HERRAJE.

**AVERTISSEMENT !**  
**WARNUNG!**  
**¡ADVERTENCIA!**

Il est obligatoire de s'y prendre à deux pour cette procédure. SUIVEZ CET AVERTISSEMENT SOUS PEINE D'ENCOURIR DES BLESSURES GRAVES ET/OU DES DÉGÂTS MATÉRIELS.

Dieses Schritt muss von zwei Personen ausgeführt werden. EIN MISSACHTEN DIESER WARNUNG KANN ZU SCHWEREN VERLETZUNGEN UND/ODER SACHSCHÄDEN FÜHREN.

Se requieren dos personas para realizar este procedimiento. SI NO SE OBSERVA ESTA ADVERTENCIA SE PODRÍA OCASIONAR UNA lesión GRAVE Y/O DAÑOS A LA PROPIEDAD.

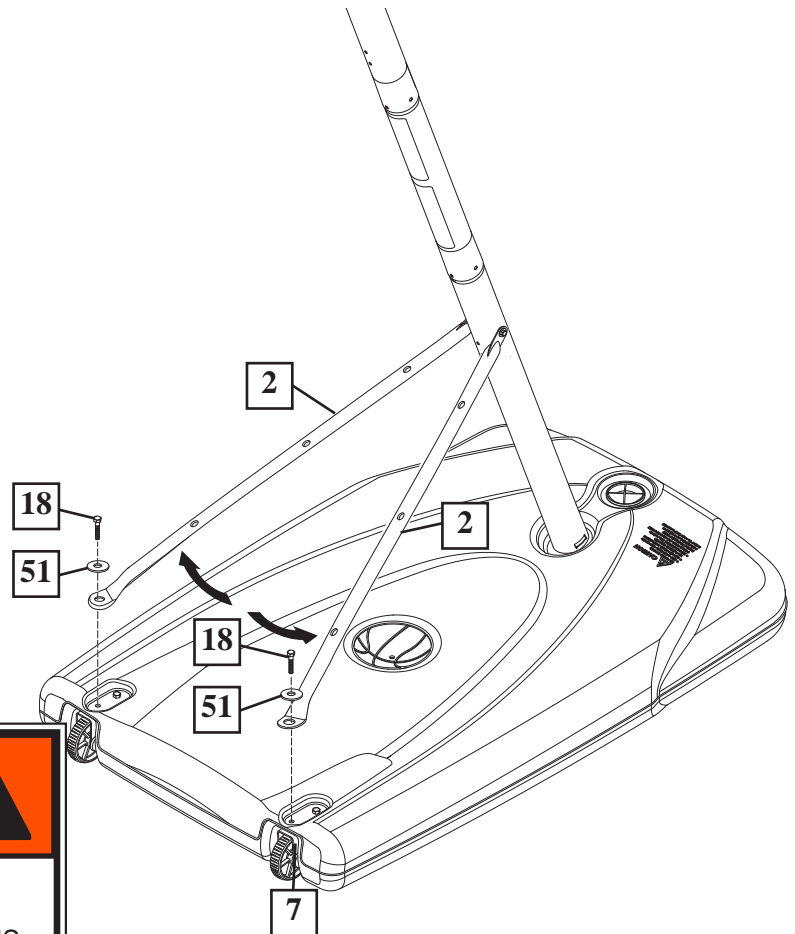


8.

Tournez les extrémités non fixées des contrefiches du réservoir (2) vers l'extérieur jusqu'aux trous de fixation du réservoir, comme illustré. Fixez les extrémités des contrefiches (2) sur le support de roue (7), comme illustré. Reprenez la procédure de l'autre côté.

Die ungesicherten Enden der Tankverstrebungen (2) wie gezeigt nach außen zu den Befestigungslöchern im Tank drehen. Die Enden der Tankverstrebungen (2) wie gezeigt an der Radhalterung (7) befestigen. Das gleiche Verfahren auf der anderen Seite durchführen.

Haga girar los extremos no asegurados de los puntales del tanque (2) hacia fuera hasta los orificios de montaje del tanque como se muestra. Asegure los extremos de los puntales del tanque (2) al soporte de la rueda (7), como se muestra. Repita el procedimiento en el lado opuesto.



**9.** Fixez le couvercle (28) aux contrefiches du réservoir (2) à l'aide des boulons (47) et des écrous (48), comme illustré.

Die Abdeckung (28) wie gezeigt mit Schrauben (47) und Muttern (48) an den Tankverstrebungen (2) befestigen.

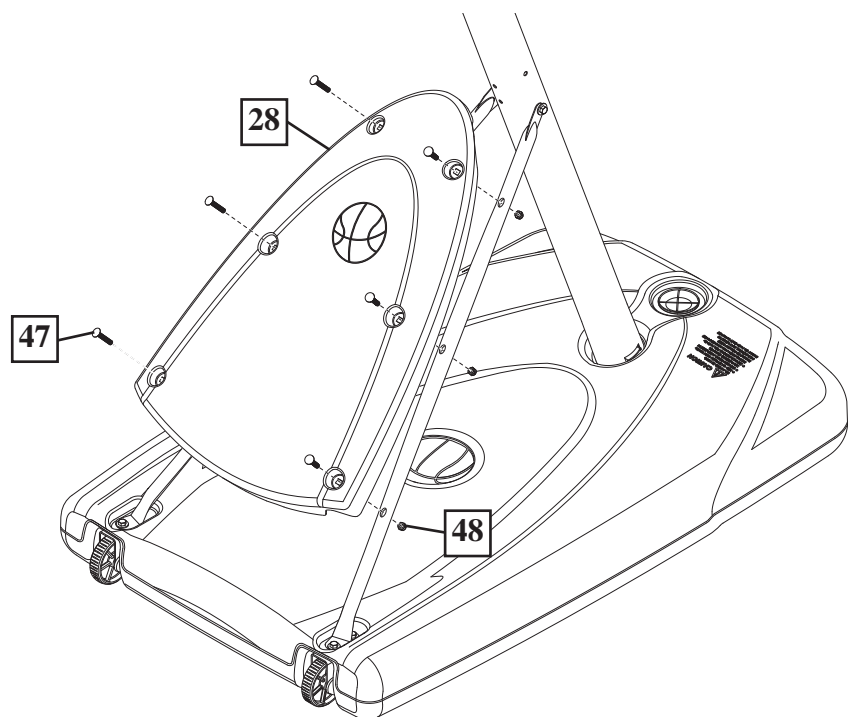
Asegure la cubierta (28) en los puntales del tanque (2) usando pernos (47) y tuercas (48) como se muestra.

**IMPORTANT!**  
**WICHTIG!**  
**¡IMPORTANTE!**

**SERREZ À FOND TOUS LES COMPOSANTS (ÉTAPES 7-9).**

**ALLE KOMPONENTEN FEST ANZIEHEN (SCHRITTE 7-9)**

**APRIETE COMPLETAMENTE TODOS LOS COMPONENTES (PASOS 7-9)**

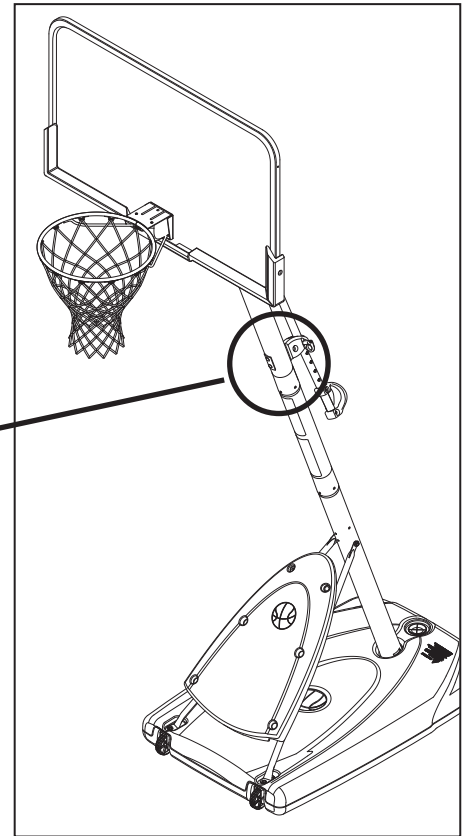
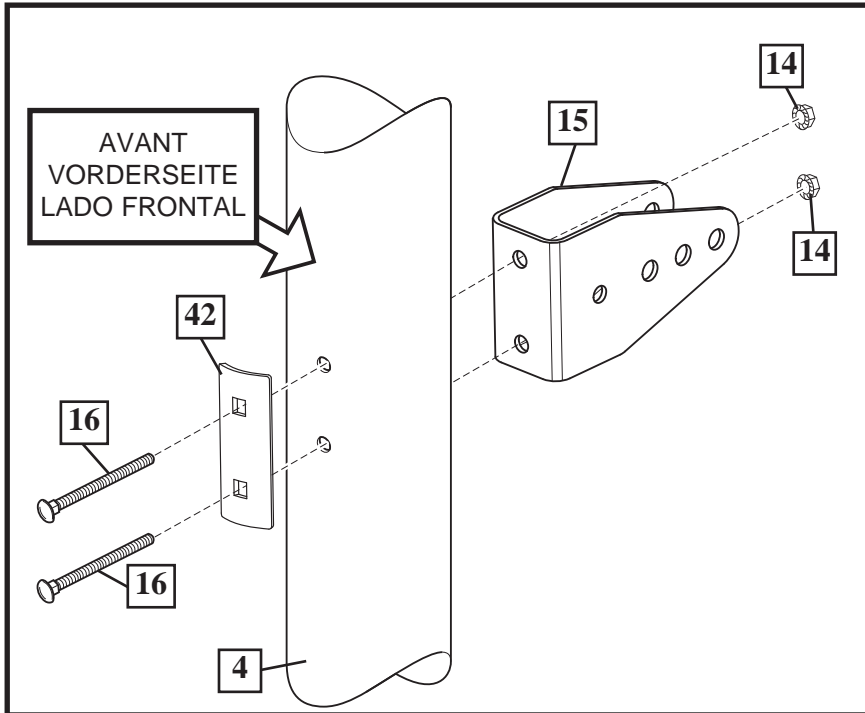


**10.**

Installez le support du poteau (15) et le support de renforcement (42) à l'aide des boulons ordinaires (16), comme illustré. Serrez à fond les écrous à bride (14).

Die Stangenmontagehalterung (15) und die Verstärkungshalterung (42) wie gezeigt mit Schlossschrauben (16) befestigen. Die Flanschmutter (14) fest anziehen.

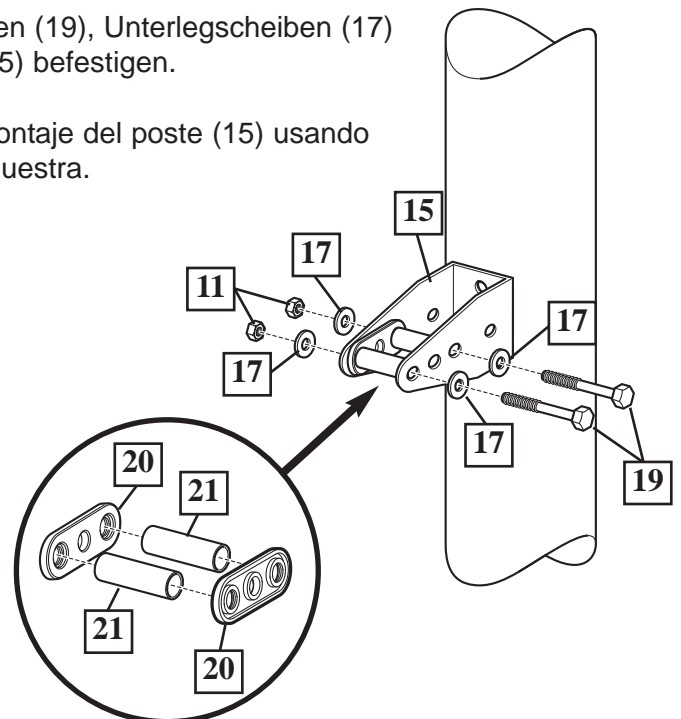
Instale el soporte de montaje del poste (15) y el soporte de refuerzo (42) con los pernos cabeza de carro (16) como se muestra. Apriete completamente las tuercas de brida (14).

**11.**

Attachez les entretoises (20, 21) au support de poteau (15) avec les boulons (19), les rondelles (17) et les écrous (11), comme illustré.

Die Abstandsstücke (20, 21) wie gezeigt mit Schrauben (19), Unterlegscheiben (17) und Muttern (11) an der Stangenmontagehalterung (15) befestigen.

Conecte los separadores (20, 21) en el soporte de montaje del poste (15) usando pernos (19), arandelas (17) y tuercas (11) como se muestra.



**IMPORTANT!**  
**WICHTIG!**  
**¡IMPORTANTE!**

Serrez juste jusqu'à ce que les rondelles (17) cessent de tourner.

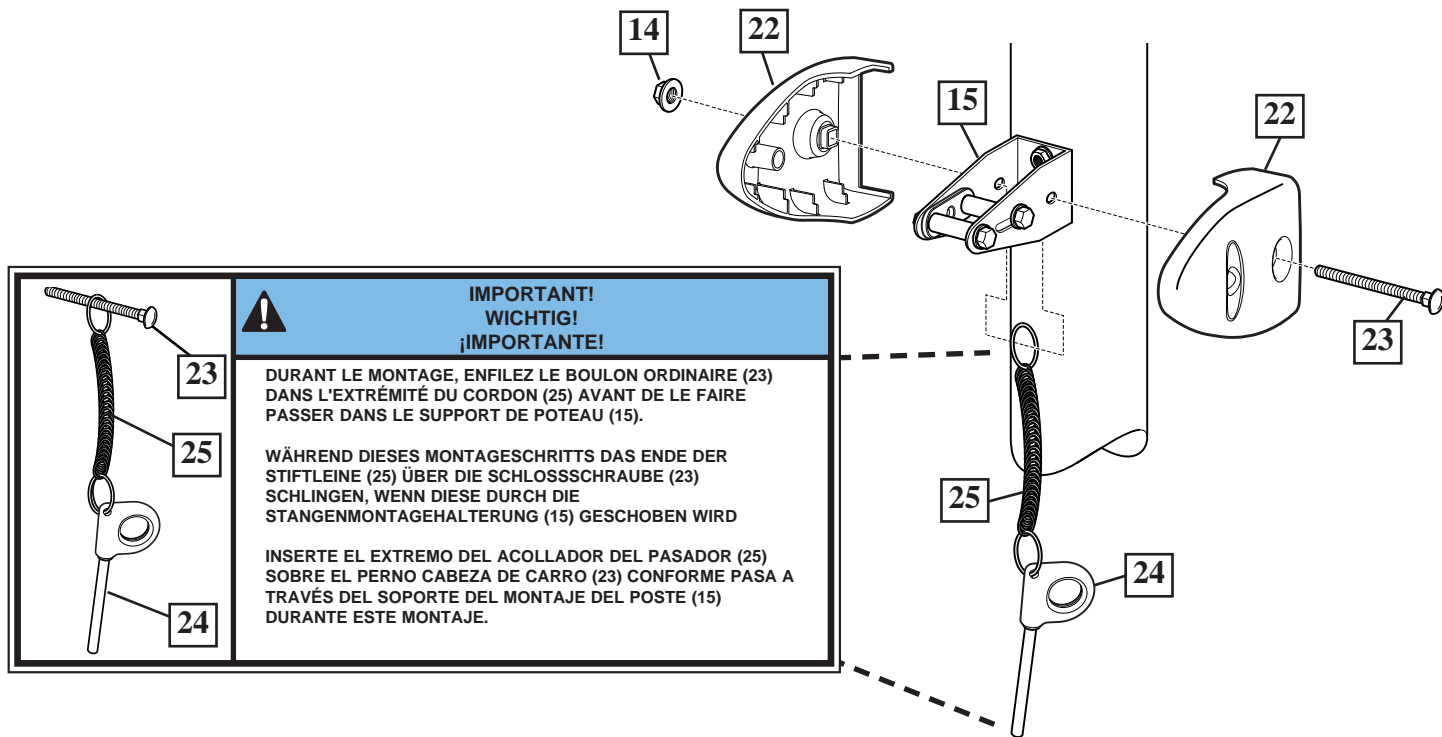
Nur so weit anziehen, bis sich die Unterlegscheiben (17) nicht mehr bewegen.

Apriete lo suficiente para que las arandelas (17) no se muevan.

**10.** Assemblez le cordon (25) et la goupille de blocage (24), comme illustré (FIG. a). Attachez les protections (22) sur le support de poteau (15) à l'aide du boulon ordinaire (23) et de l'écrou (14), comme illustré.

Die Leine (25) wie gezeigt (Abb. A) am Verriegelungsstift (24) befestigen. Die Abdeckungen (22) mit der Schlossschraube (23) und Mutter (14) wie gezeigt an der Stangenmontagehalterung (15) befestigen.

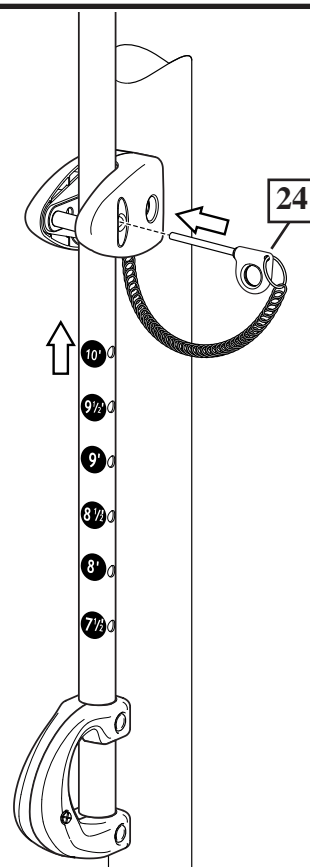
Monte el acollador (25) en el perno de fijación (24) como se muestra (FIG A). Coloque las cubiertas (22) en el soporte de montaje del poste (15) con un perno cabeza de carro (23) y una tuerca (14) como se muestra.



**11.** Insérez l'ensemble des barres dans le support de poteau, comme illustré. Bloquez le poteau en position à 3.05 m (10 pieds) à l'aide de la goupille (24).

Die Griffbaugruppe wie gezeigt durch Stangenmontageeinheit schieben. Den Stangenaufbau mit dem Stift (24) an der 3,05-m- (10-Fuß)-Markierung sichern.

Introduzca el conjunto de la manija a través del conjunto de montaje del poste, como se muestra. Fije el conjunto del poste en su lugar en la marca de los 10' (3.05 m) con el pasador (24).

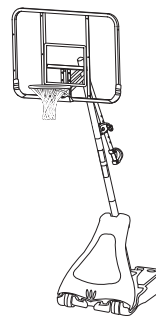


# SECTION B : ATTACHEZ LE PANNEAU BAUABSCHNITT B: ANBRINGEN DER KORBWAND SECCIÓN B: CONECTE EL RESPALDO

Voici à quoi ressemblera votre système lorsque vous en aurez fini avec cette section:

So sieht das System aus, wenn Sie mit diesem Bauabschnitt fertig sind:

Así es como se verá su sistema cuando haya terminado esta sección:



## OUTILS REQUIS POUR CETTE SECTION FÜR DIESEN BAUABSCHNITT BENÖTIGTES WERKZEUG HERRAMIENTAS REQUERIDAS PARA ESTA SECCIÓN

(2) clés 1/2", (2) clés 9/16" ET (2) clés 3/4"

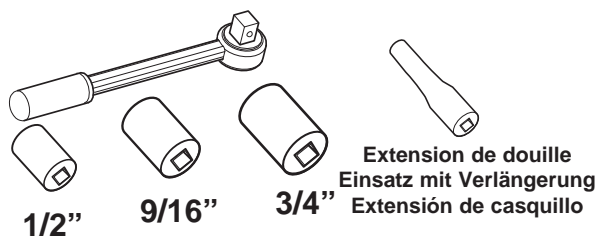
(2) 1/2", (2) 9/16" UND (2) 3/4"  
Schraubenschlüssel

(2) Llaves de 1/2", (2) de 9/16" Y (2) de 3/4"



ET/OU  
UND/ODER  
Y/O

(2) clés à douilles et douilles

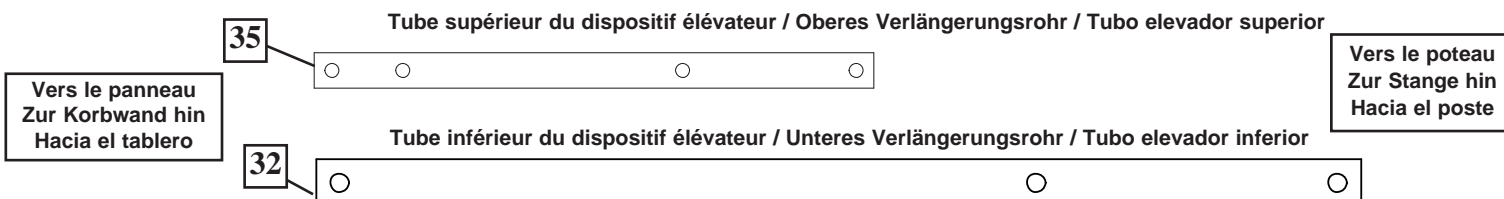


un tournevis cruciforme  
ein Kreuzschlitzschraubenzieher  
un destornillador Phillips

Repérez les tubes du dispositif élévateur (35 et 32).

Die Verlängerungsrohre (35 u. 32) zurecht legen.

Identifique los tubos elevadores (35 y 32).

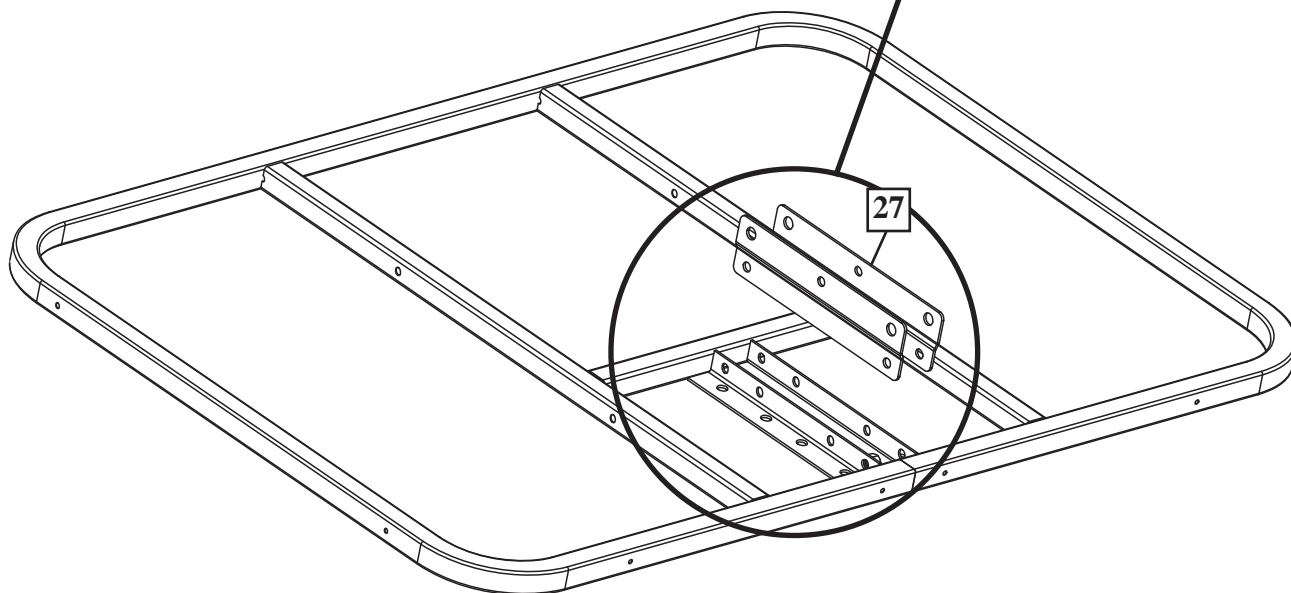
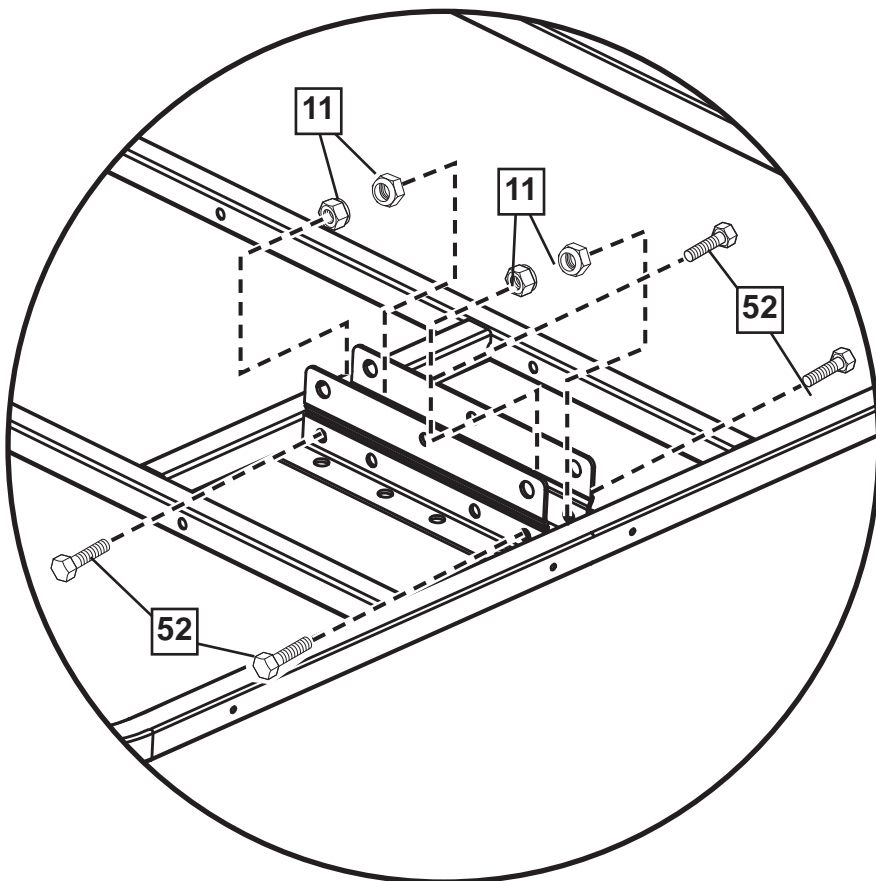
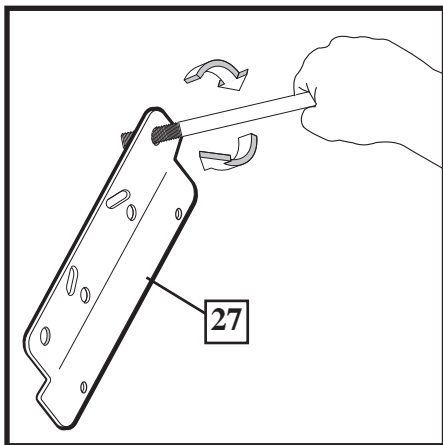


1.

Assemblez les supports de panneau (27) à l'aide des boulons (52) et des écrous (11), comme illustré.

Die Korbwandklammern (27) wie gezeigt mit Schrauben (52) und Muttern (11) zusammenbauen.

Monte los soportes del respaldo (27) usando pernos (52) y tuercas (11) como se muestra.



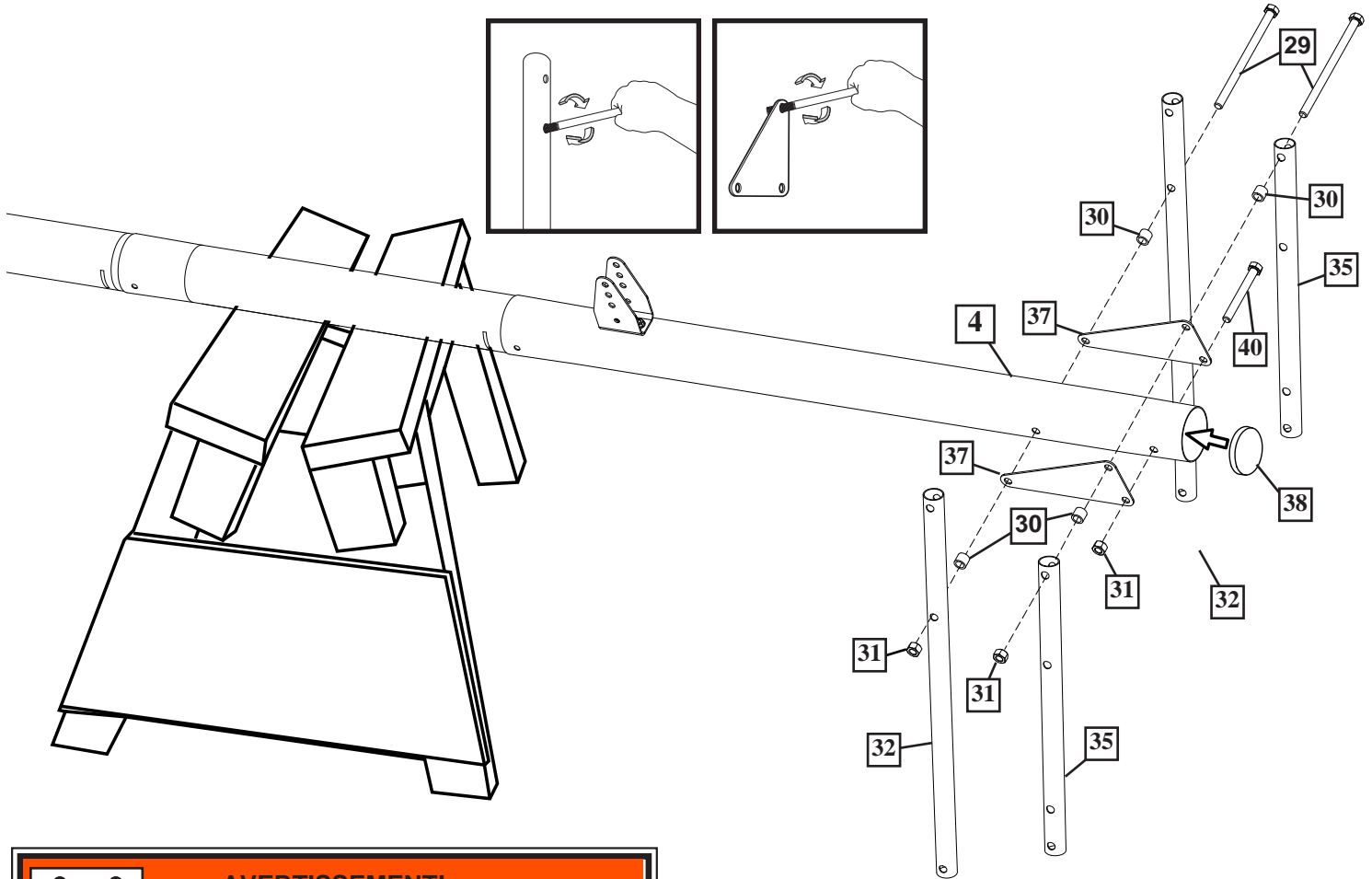


2.

Appuyez le poteau sur le banc de sciage. Attachez les plaques triangulaires (37) et les tubes du système élévateur (27 & 32) au poteau supérieur (4) à l'aide des boulons (40 & 29) et des écrous (31). Installez le capuchon du poteau (38).

Die Stange auf einen Sägebock legen. Dreiecksplatten (37) und Verlängerungsrohre (27 u. 32) mit Schrauben (40 u. 29) und Muttern (31) an der oberen Stange (4) befestigen. Stangenkappe (38) aufsetzen..

Apoye el poste en un caballete de aserrar. Conecte las placas triangulares (37) y los tubos elevadores (27 y 32) en la sección superior del poste (4) con pernos (40 y 29) y tuercas (31). Instale la tapa del poste (38).



**AVERTISSEMENT!**  
**WARNUNG!**  
**¡ADVERTENCIA!**

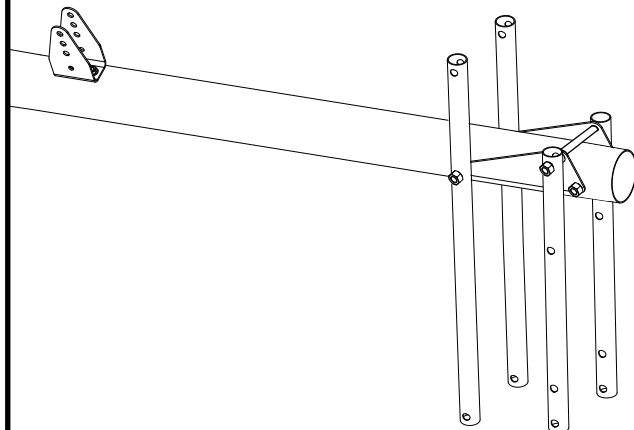


SOYEZ PRUDENT, CAR LE SYSTÈME ÉLÉVATEUR EST LOURD. IL FAUT S'Y PRENDRE À DEUX POUR RÉALISER CETTE PROCÉDURE. SUIVEZ CET AVERTISSEMENT SOUS PEINE D'ENCOURIR DES BLESSURES GRAVES ET/OU DES DÉGÂTS MATÉRIELS.

BITTE VORSICHTIG ZU WERKE GEHEN; DIE VERLÄNGERUNGSBAUGRUPPE IST SEHR SCHWER. DIESER VERFAHRENSCHRITT MUSS VON ZWEI PERSONEN AUSGEFÜHRT WERDEN. EIN MISSACHTEN DIESER WARNUNG KANN ZU SCHWEREN VERLETZUNGEN UND/ODER SACHSCHÄDEN FÜHREN.

TENGA CUIDADO; EL CONJUNTO DEL ELEVADOR ES PESADO. SE REQUIEREN DOS PERSONAS PARA REALIZAR ESTE PROCEDIMIENTO. SI NO SE OBSERVA ESTA ADVERTENCIA SE PODRÍA OCASIONAR UNA LESIÓN GRAVE Y/O DAÑOS A LA PROPIEDAD.

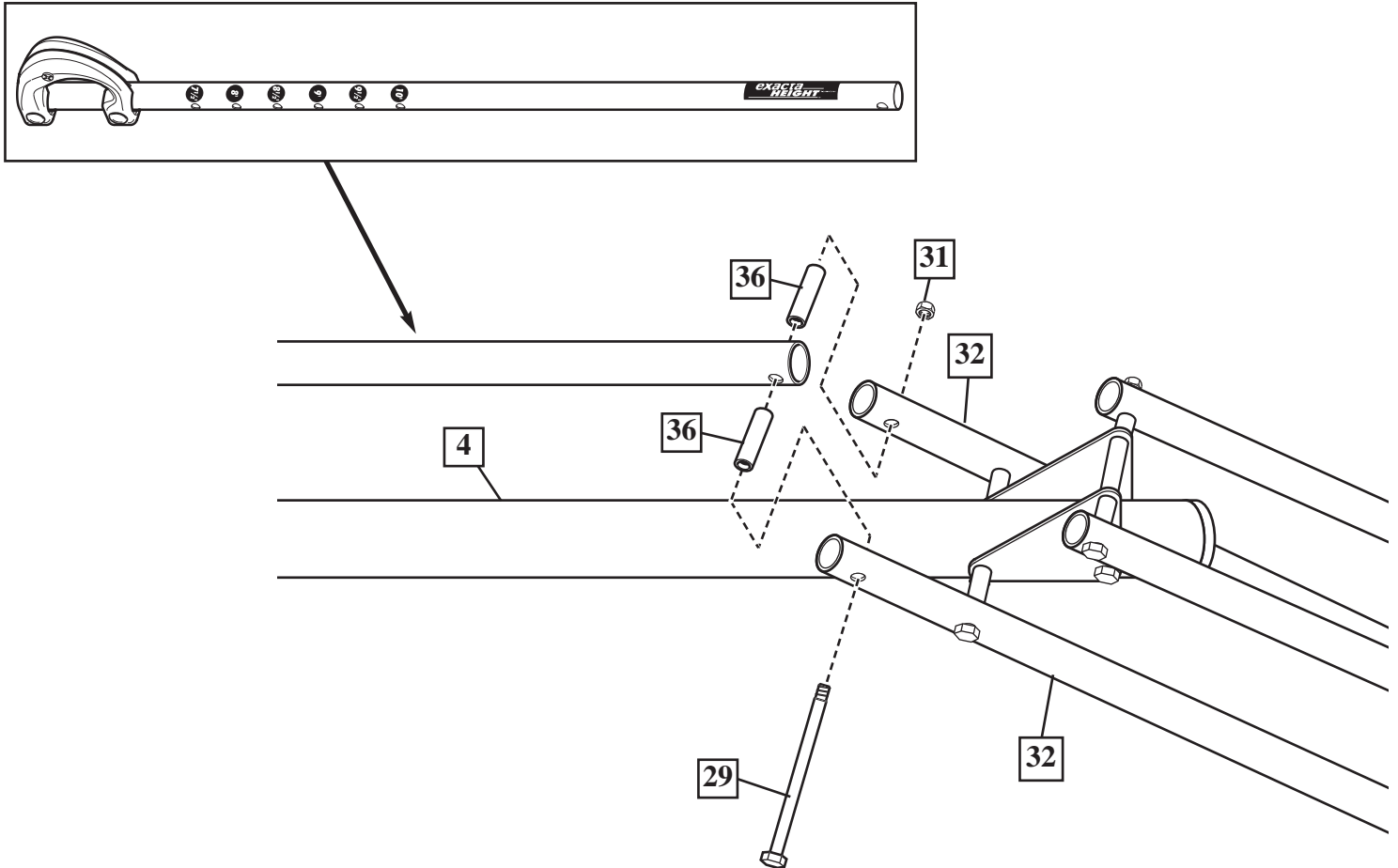
**ASSEMBLAGE TERMINÉ**  
**FERTIGE MONTAGE**  
**CONJUNTO COMPLETADO**



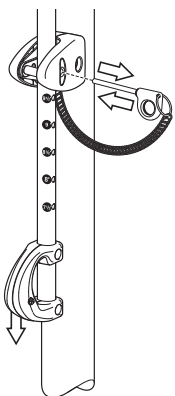
**3.** Installez la poignée sur les tubes inférieurs du système élévateur (32) en utilisant le boulon (29), les entretoises (36) et l'écrou (31), comme illustré.

Die Griffereinheit wie gezeigt mit Schraube (29), Abstandsstücken (36) und Mutter (31) an den unteren Verlängerungsrohren (32) anbringen.

Instale el conjunto de la manija en los tubos elevadores inferiores (32) usando el perno (29), espaciadores (36) y la tuerca (31) como se muestra.



**NOTE / REMARQUE  
HINWEIS / NOTA:**



Avant de passer au point suivant, réglez le système de réglage en hauteur à 25.4 cm (10 po).

Bevor zum nächsten Schritt übergegangen wird, ist das Einstellsystem auf die 3.05-m- (10 Zoll)-Markierung einzustellen.

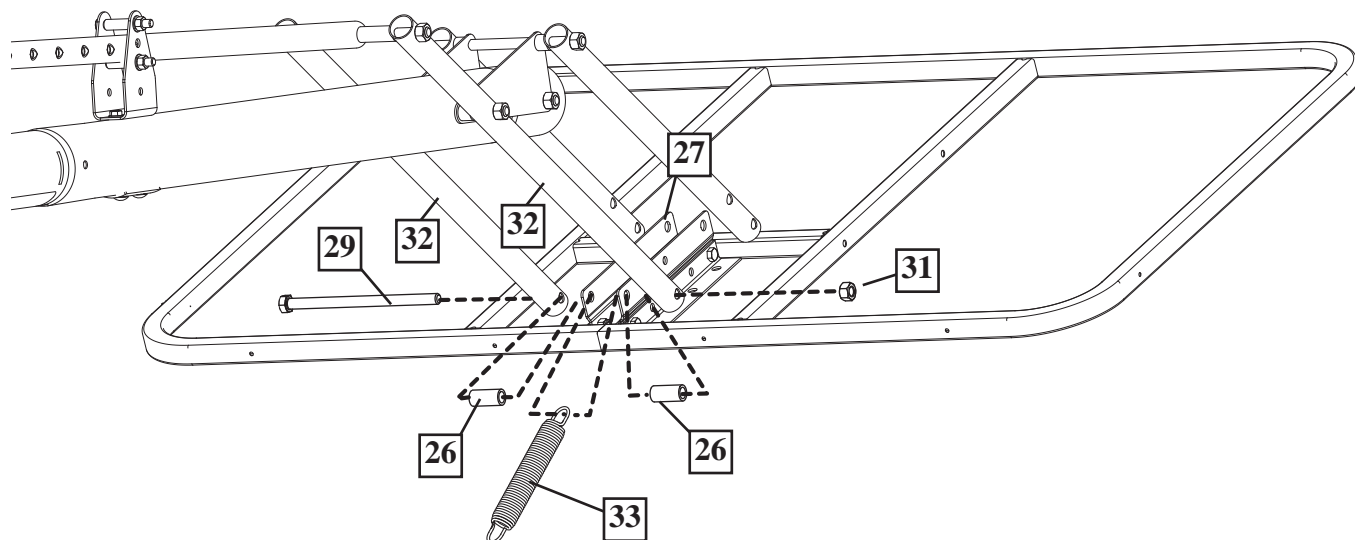
Antes de continuar con el siguiente paso, ajuste el conjunto del sistema de ajuste en la marca de los 3.05 m (10').

**4.**

Attachez les tubes inférieurs de l'élévateur (32) et le ressort de contrepoids (33) aux supports du panneau (27) à l'aide des entretoises (26), du boulon (29) et de l'écrou (31), comme illustré.

Die unteren Verlängerungsrohre (32) und die Gegengewichtsfeder (33) wie gezeigt mit Abstandsstücken (26), Schraube (29) und Mutter (31) an den Korbwandklammern (27) befestigen.

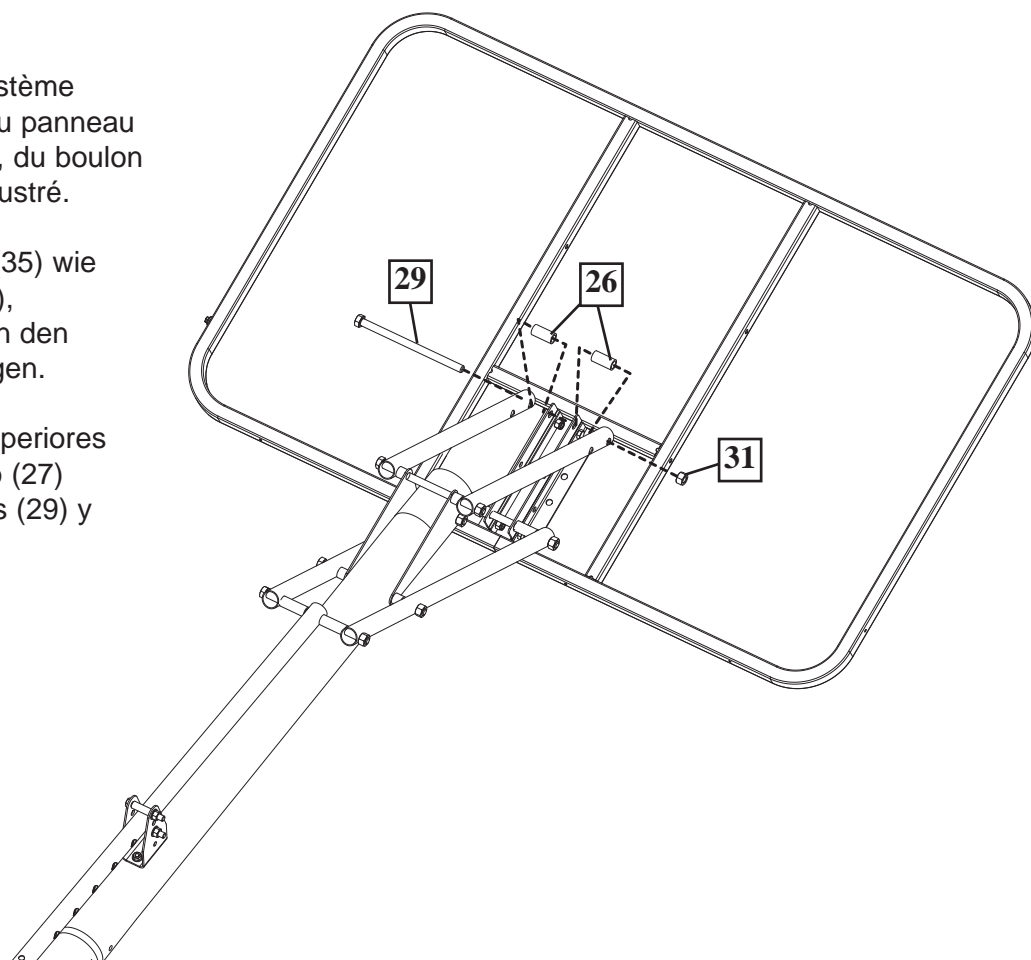
Conecte los tubos elevadores inferiores (32) y el resorte de contrapeso (33) en los soportes del respaldo (27) usando separadores (26) pernos (29) y tuercas (31) como se muestra.

**5.**

Fixez les tubes supérieurs du système élévateur (35) sur les supports du panneau (27) à l'aide des entretoises (26), du boulon (29) et de l'écrou (31), comme illustré.

Die oberen Verlängerungsrohre (35) wie gezeigt mit Abstandsstücken (26), Schraube (29) und Mutter (31) an den Korbwandklammern (27) befestigen.

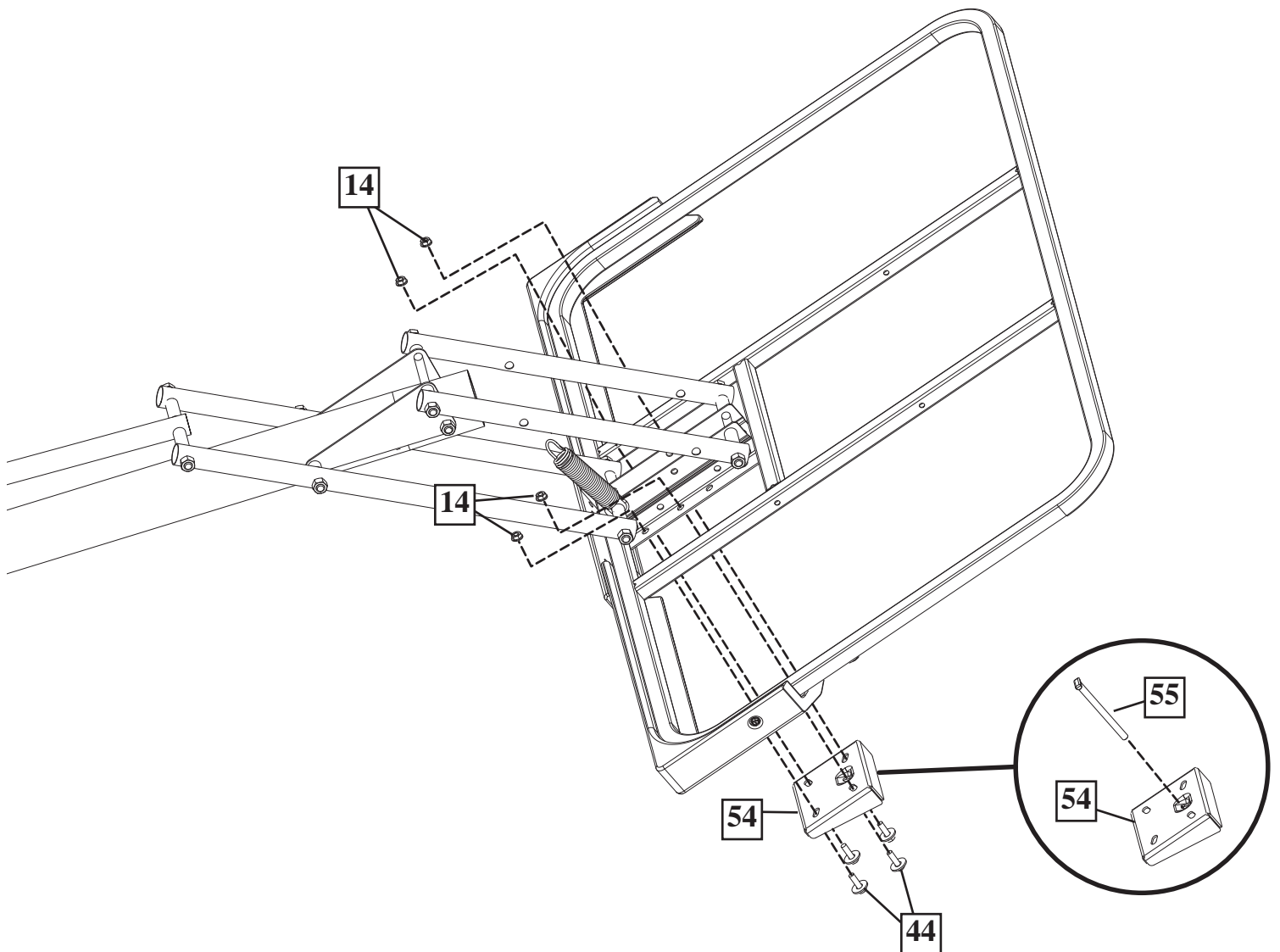
Conecte los tubos elevadores superiores (35) en los soportes del respaldo (27) usando separadores (26), pernos (29) y tuercas (31) como se muestra.



**6.** Insérez le boulon à T (55) dans le support de cerceau (54), puis attachez l'ensemble au panneau à l'aide des boulons (44) et des écrous (14).

Die T-Nutenschraube (55) in die Korbrandhalterung (54) einsetzen; dann diese Baugruppe mit Schrauben (44) und Muttern (14) an der Korbwand befestigen.

Introduzca el perno en T (55) en el soporte del borde (54), y luego monte ese conjunto en el tablero usando pernos (44) y tuercas (14).



- 7.** Enfilez le boulon (29) dans le tube supérieur gauche du système élévateur (35), puis tendez le ressort (33) sur le boulon (29). Enfilez le boulon (29) dans le tube de droite du système élévateur (35), puis fixez avec l'écrou (31).

Die Schraube (29) durch das linke obere Verlängerungsrohr (35) schieben und die Feder (33) über die Schraube (29) dehnen. Die Schraube (29) durch das rechte obere Verlängerungsrohr (35) schieben und mit der Mutter (31) sichern.

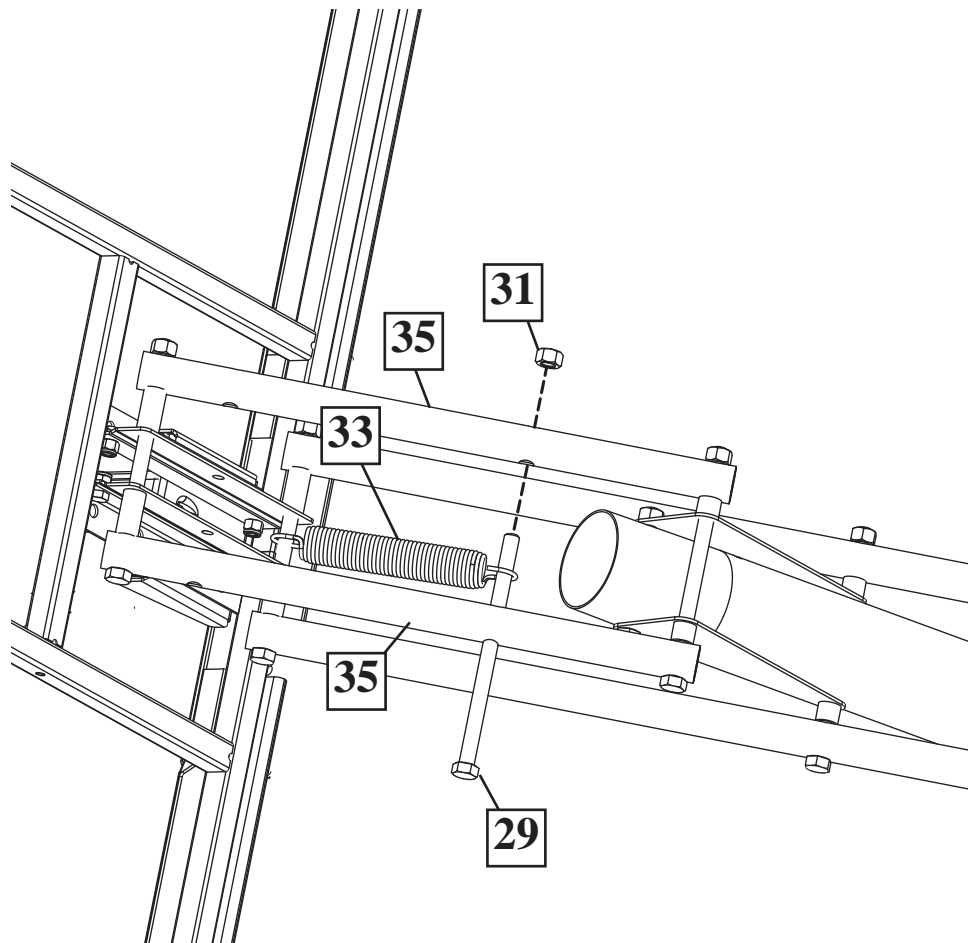
Introduzca el perno (29) a través del tubo elevador superior del lado izquierdo (35), luego estire el resorte (33) hasta el perno (29). Introduzca el perno (29) a través del tubo elevador superior del lado derecho (35) y asegure con la tuerca (31).

 **AVERTISSEMENT!**  
**WARNING!**  
**¡ADVERTENCIA!** 

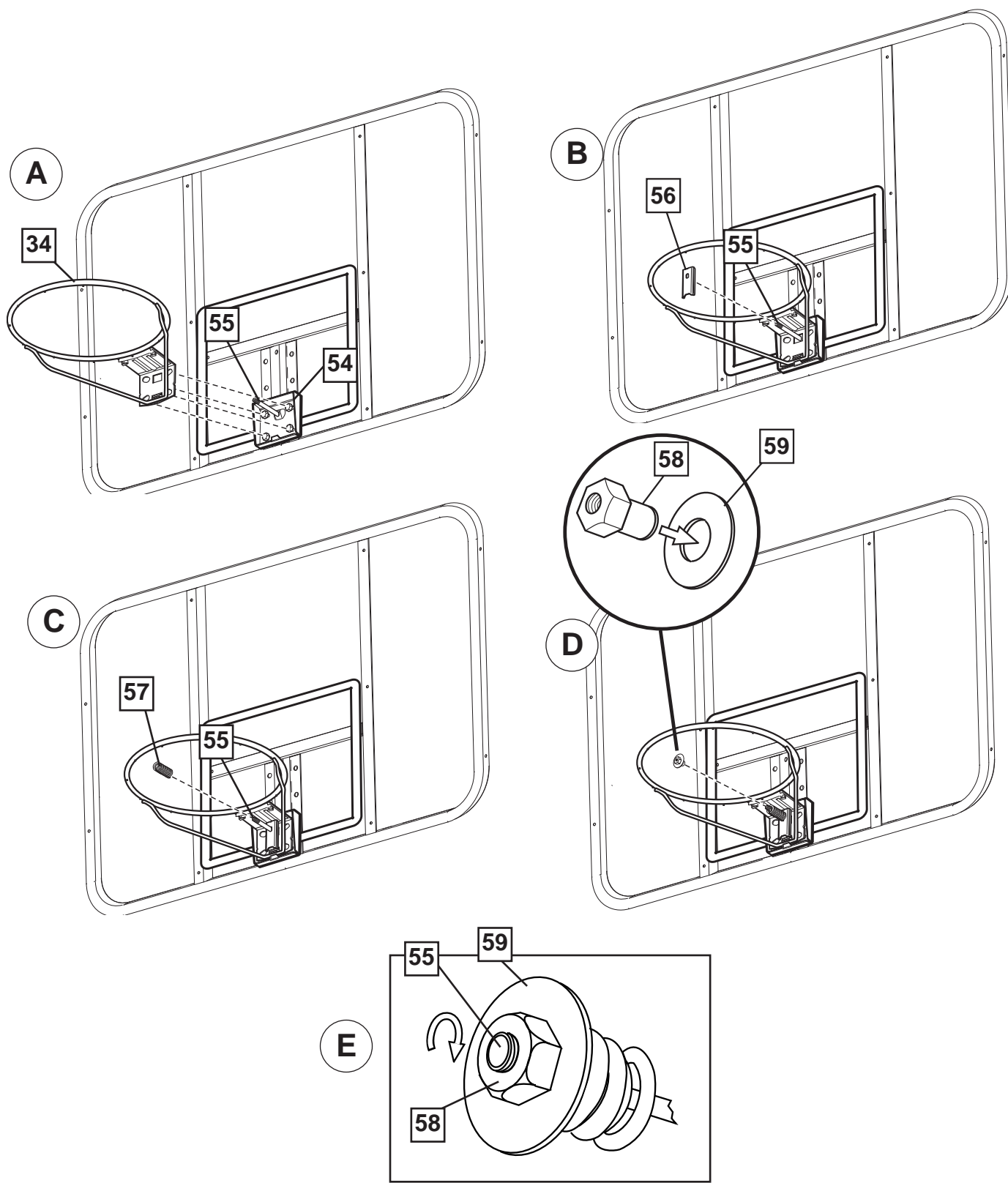
**PROTÉGEZ-VOUS LES YEUX LORSQUE VOUS INSTALLEZ DES RESSORTS.**

**BEIM ANBRINGEN DER FEDERN AUGENSCHUTZ TRAGEN!**

**CUANDO INSTALE LOS RESORTES UTILICE PROTECTORES OCULARES.**



8.



**Installez le cerceau Slam Jam sur le panneau.**

- A. Calez bien le cerceau (34) dans le support (54), comme illustré. Laissez glisser le boulon à T (55) à travers le trou central du cerceau (34).
- B. Installez le support de renforcement (56) sur le boulon à T (55), comme illustré.
- C. Installez le ressort (57) sur le boulon à T (55), comme illustré.
- D. Installez l'écrou spécial (58) et la rondelle (59) sur le boulon à T (55).
- E. Serrez l'écrou (58) jusqu'à ce qu'il se trouve au même niveau que l'extrémité du boulon à T (55).

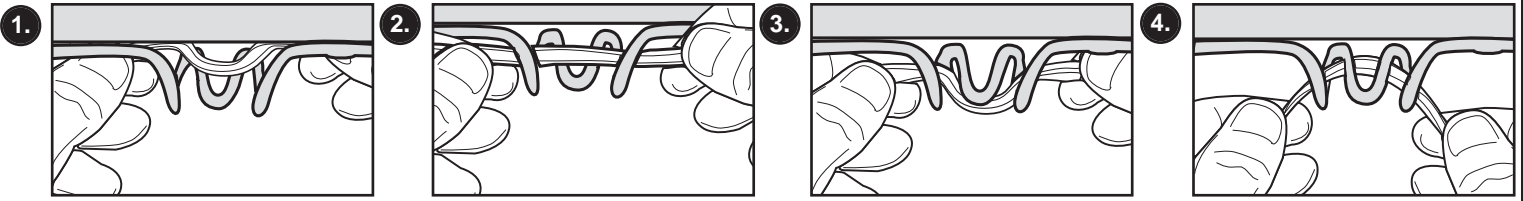
**Den Slam Jam-Korbrand an der Korbwand befestigen.**

- A. Den Korbrand (34) wie gezeigt in die Halterung (54) einsetzen. Die T-Nutenschraube (55) gleitet durch das mittlere Loch im Korbrand (34).
- B. Die Verstärkungshalterung (56) wie gezeigt über die T-Nutenschraube (55) schieben.
- C. Die Feder (57) wie gezeigt auf der T-Nutenschraube (55) anbringen.
- D. Die Spezialmutter (58) und Unterlegscheibe (59) auf der T-Nutenschraube (55) anbringen.
- E. Die Mutter (58) anziehen, bis sie bündig mit dem Ende der T-Nutenschraube (55) abschließt.

**Instale el borde Slam Jam en el respaldo**

- A. Ajuste el borde (34) seguramente en el soporte (54) como se muestra. Permita que el perno en "T" (55) se deslice a través del orificio central del borde (34).
- B. Instale el soporte de refuerzo (56) en el perno "T" (55) como se muestra.
- C. Instale el resorte (57) en el perno T (49) como se muestra.
- D. Instale la tuerca especial (58) y la arandela (59) en el perno T (55).
- E. Apriete la tuerca (58) hasta que quede al ras del extremo del perno T (55).

**9.** Installez le filet (43). / Das Netz (43) anbringen. / Instale la red (43).



**10.** Faites rouler l'ensemble jusqu'à la position désirée. Remplissez le réservoir d'eau (129 litres environ) ou de sable (136 kg environ) et installez le bouchon (41).

Den fertigen Aufbau an die gewünschte Position rollen. Den Tank mit Wasser (ca. 129 l [34 US-Gallonen]) oder Sand (ca. 136 kg [300 lbs]) füllen und den Tankdeckel (41) aufschrauben lassen.

Ruede el conjunto completo a la posición deseada. Llène el tanque con agua (aproximadamente 34 galones (129 litros)) o con arena (aproximadamente 300 libras (136 kg)) y conecte a presión la tapa (41) en su lugar.

**AVERTISSEMENT !  
WARNUNG!  
¡ADVERTENCIA!**

**NE LAISSEZ PAS L'ENSEMBLE SANS SURVEILLANCE LORSQU'IL EST VIDE, CAR IL RISQUE DE BASCULER.**

**DIE VORRICHTUNG IM LEEREN ZUSTAND NICHT UNBEAUFICHTIGT LASSEN, DA SIE UMKIPPEN KÖNNTE.**

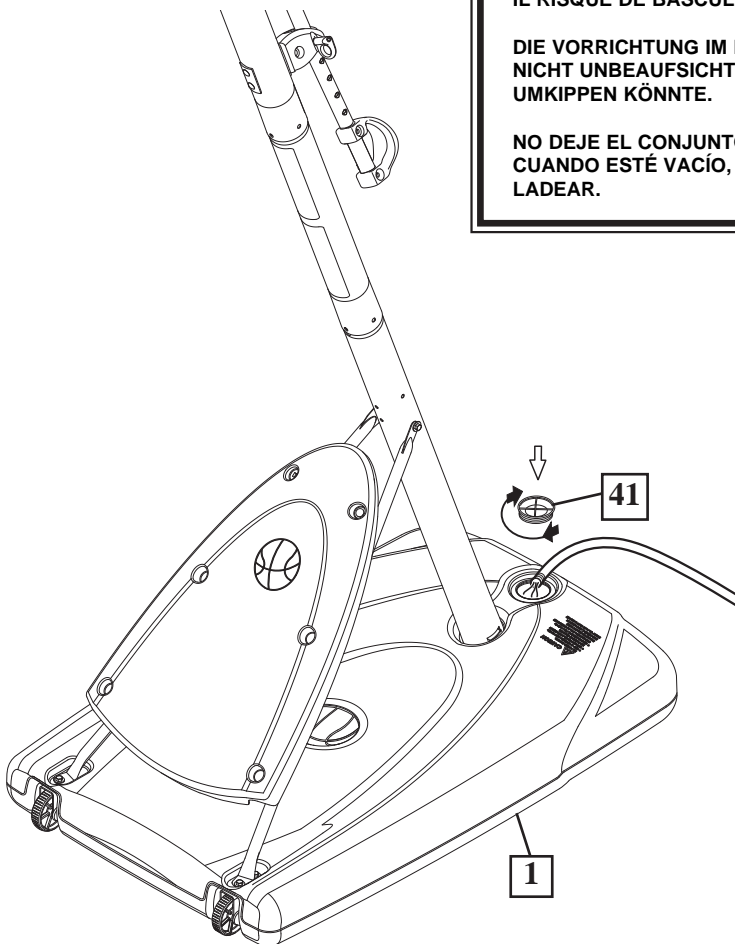
**NO DEJE EL CONJUNTO DESATENDIDO CUANDO ESTÉ VACÍO, YA QUE SE PUEDE LADEAR.**

**ATTENTION !  
VORSICHT!  
¡PRECAUCIÓN!**

**AJOUTEZ 7,6 LITRES (2 GALLONS) D'ANTIGEL NON TOXIQUE EN PRÉVISION DE TEMPÉRATURES EN DESSOUS DE 0.**

**DEN TANK MIT 7,6 L (2 GAL) EINES UNGIFTIGEN GEFRIERSCHUTZMITTELS FÜLLEN, UM IN KLIMAZONEN MIT FROSTTEMPERATUREN EIN GEFRIEREN ZU VERHINDERN.**

**AÑADA 7.6 LITROS (DOS GALONES) DE ANTICONGELANTE NO TÓXICO SI EL CLIMA ALCANZA TEMPERATURAS DE CONGELAMIENTO.**



**NOTE:**

**SI VOUS UTILISEZ DU SABLE :  
L'UTILISATION DE 4 LITRES D'ANTIGEL EST INUTILE.**

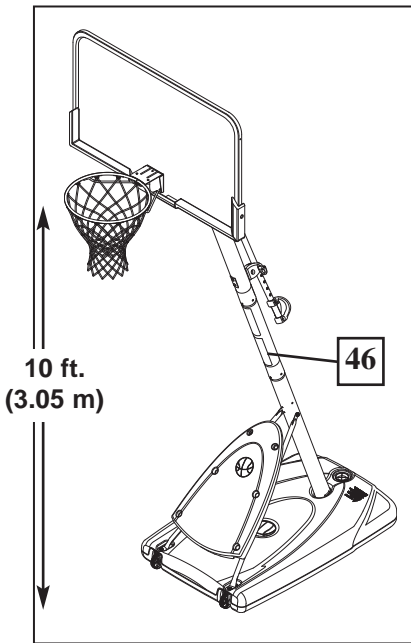
**BEI VERWENDUNG VON SAND:  
KEINE ZUSÄTZLICHEN 7,6 L (2 GAL) GEFRIERSCHUTZMITTEL EINFÜLLEN.**

**SI SE USA ARENA:  
NO SE REQUIERE EL USO DE ANTICONGELANTE**



**SECTION C : APPLIQUEZ L'ÉTIQUETTE DE HAUTEUR ET DE DÉPLACEMENT ET DE RÉGLAGE DE HAUTEUR  
 BAUABSCHNITT C: ANBRINGUNG DES HÖHENEINSTELL- UND TRANSPORTAUFKLEBERS UND HÖHENEINSTELLUNG  
 SECCIÓN C: APLICACIÓN DE LA ETIQUETA DE ALTURA Y MOVIMIENTO Y AJUSTE DE LA ALTURA**

- 1.** Collez l'étiquette d'échelle de hauteur et de déplacement (46) sur l'avant du poteau, comme illustré.  
 Höheneinstell- und Transportaufkleber (46) wie gezeigt an der Vorderseite der Stange anbringen.  
 Aplique la etiqueta de ajuste de la altura y de movimiento (46) en la parte frontal del poste, como se muestra.



**REMARQUE:** Décollez le film de protection de la surface du panneau en acrylique avant usage.  
**HINWEIS:** Vor Gebrauch die Schutzfolie von der Oberfläche der Akryl-Korbwand abziehen.  
**NOTA:** Desprenda la película protectora de la superficie del respaldo de acrílico antes de usarlo.

**AVERTISSEMENT !  
 WARNUNG!  
 ¡ADVERTENCIA!**

Il est obligatoire de s'y prendre à deux pour cette procédure. SUIVEZ CET AVERTISSEMENT SOUS PEINE D'ENCOURIR DES BLESSURES GRAVES ET/OU DES DÉGÂTS MATÉRIELS.

Dieses Schritt muss von zwei Personen ausgeführt werden. EIN MISSACHTEN DIESER WARNUNG KANN ZU SCHWEREN VERLETZUNGEN UND/ODER SACHSCHÄDEN FÜHREN.

Se requieren dos personas para realizar este procedimiento. SI NO SE OBSERVA ESTA ADVERTENCIA SE PODRÍA OCASIONAR UNA lesión GRAVE Y/O DAÑOS A LA PROPIEDAD.

- 2.** **A.** Tout en tenant la poignée, retirez la goupille (24). **B.** Remontez ou descendez le système élévateur à la hauteur souhaitée. **C.** Réinsérez la goupille (24) à fond pour bloquer le système à cette hauteur.

**A.** Bei festgehaltenem Griff den Stift (24) herausziehen. **B.** Die Verlängerungsvorrichtung bis zur gewünschten Höhe nach oben oder unten verschieben. **C.** Den Stift (24) zum Verriegeln des Systems auf der gewünschten Höhe ganz hineinschieben.

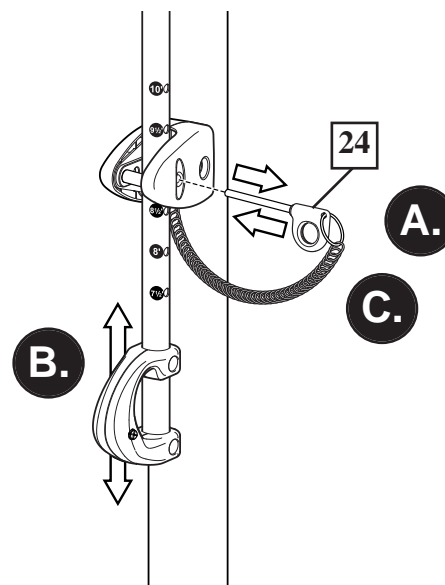
**A.** Mientras sujeta la manija, quite el pasador (24). **B.** Mueva el elevador hacia arriba o hacia abajo hasta la altura deseada. **C.** Vuelva a insertar el perno (24) en toda su longitud para fijar el sistema a la altura deseada.

**AVERTISSEMENT !  
 WARNUNG!  
 ¡ADVERTENCIA!**

**INTERDISEZ À UN ENFANT DE RÉGLER LA HAUTEUR.**

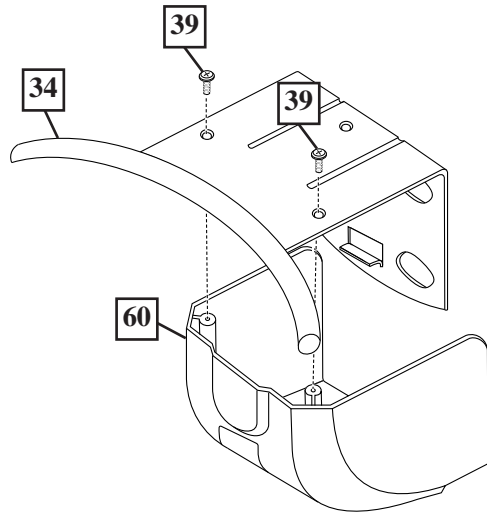
**KINDERN DARF DAS VERSTELLEN DER HÖHE NICHT GESTATTET WERDEN.**

**NO PERMITA QUE LOS NIÑOS AJUSTEN LA ALTURA.**

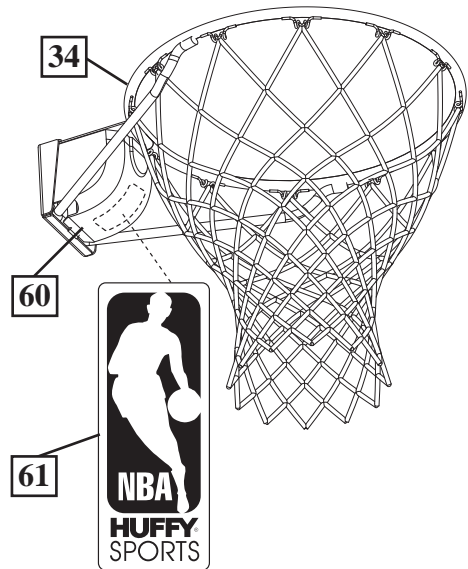


SECTION D : PROTECTION  
BAUABSCHNITT D: ABDECKUNG  
SECCIÓN D: CUBIERTA

1.



2.



**SECTION E : REMBOURRAGE DU PANNEAU  
BAUABSCHNITT E: KORBWANDPOLSTERUNG  
SECCIÓN E: ALMOHADILLA DEL TABLERO**

**LISTE DES PIÈCES / TEILELISTE / LISTA DE PIEZAS**

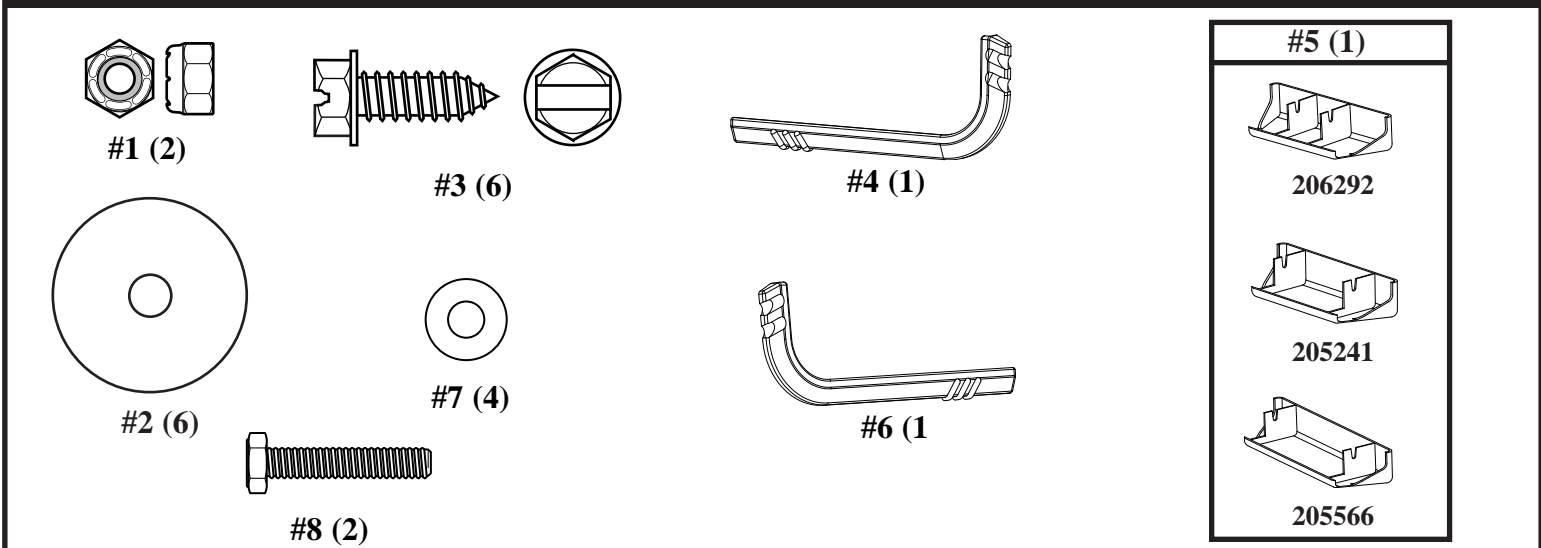
(Voir la légende des illustrations) / (Siehe Befestigungsteileschlüssel) / (Vea el identificador de herraje)

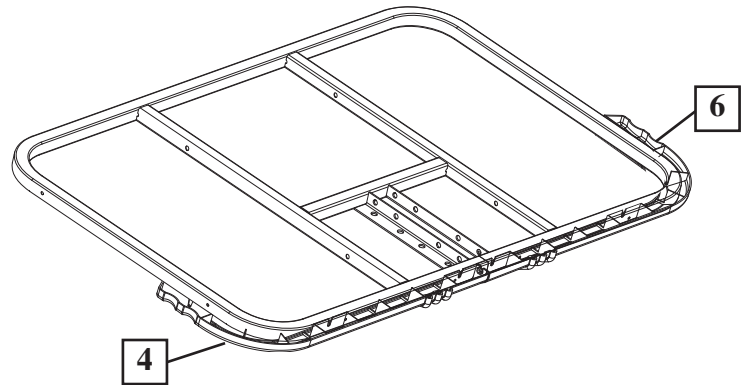
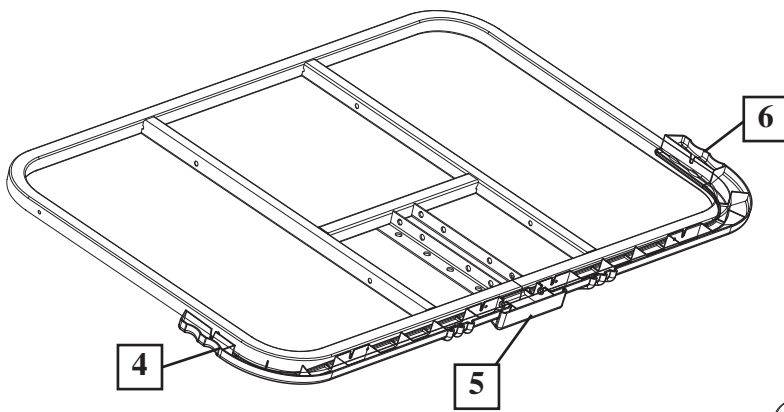
<u>Article</u>	<u>Qté</u>	<u>No. de pièce</u>	<u>Description</u>	<u>Nr.</u>	<u>Anz.</u>	<u>Teile-Nr.</u>	<u>Beschreibung</u>
1	2	266102	Contre-écrou, insert nylon	1	2	266102	Nyloneinschraub-Gegenmutter
2	6	206151	Rondelle 6 mm D.I. x 2,5 cm D.E.	2	6	206151	Unterlegscheibe, 1/4" ID, 1" AD
3	6	202871	Vis fendue, 6 pans, 6 mm x 19 mm	3	6	202871	Sechskantschraube, 1/4 x 3/4 Zoll, geschlitz
4	1	205225	Rembourrage de panneau, droit (Panneau de 116-127 cm)	4	1	205225	Korbwandpolsterung, rechts (46-50-Zoll Korbwand)
		204318	Rembourrage de panneau, droit Panneau de 107 cm			204318	Korbwandpolsterung, rechts (42-Zoll Korbwand)
5	1	206292	Rembourrage de panneau, central - Panneau de 116 cm	5	1	206292	Korbwandpolsterung, Mitte - 46-Zoll Korbwand
		205241	Rembourrage de panneau, central - Panneau de 121 cm			205241	Korbwandpolsterung, Mitte - 48-Zoll-Korbwand
		205566	Rembourrage de panneau, central - Panneau de 127 cm			205566	Korbwandpolsterung, Mitte - 50-Zoll-Korbwand
6	1	205226	Rembourrage de panneau, gauche (Panneau de 116-127 cm)	6	1	205226	Korbwandpolsterung, links (46-50-Zoll Korbwand)
		204319	Rembourrage de panneau, gauche (Panneau de 107 cm)			204319	Korbwandpolsterung, links (42-Zoll Korbwand)
7	4	205233	Rondelle, plate, numéro 10	7	4	205233	Unterlegscheibe, Nr. 10, flach
8	2	205232	Vis, 6 pans, 10-24 x 22 mm (long)	8	2	205232	Sechskantschraube, 10-24 x 7/8 Zoll Länge

<u>Artículo</u>	<u>Cant.</u>	<u>Pieza N.º</u>	<u>Descripción</u>
1	2	266102	Contratuerca, inserto de nilón
2	6	206151	Arandela de 1/4 de DI, 1 de D.E.
3	6	202871	Tornillo hexagonal, 1/4 x 3/4 ranurado
4	1	205225	Almohadilla del tablero, derecha - Tablero de 46-50"
		204318	Almohadilla del tablero, derecha - Tablero de 42"
5	1	206292	Almohadilla del tablero, sección media - Tablero de 46"
		205241	Almohadilla del tablero, sección media - Tablero de 48"
		205566	Almohadilla del tablero, sección media - Tablero de 50"
6	1	205226	Almohadilla del tablero, izquierda - Tablero de 46-50"
		204319	Almohadilla del tablero, izquierda - Tablero de 42"
7	4	205233	Arandela, # 10 plana
8	2	205232	Tornillo hexagonal, 10-24 x 7/8 de longitud

**IDENTIFICATION DES PIÈCES  
BEFESTIGUNGSTEILESCHLÜSSEL / IDENTIFICADOR DE HERRAJE**





## REMARQUE: / HINWEIS: / NOTA:

### 206292 (#5)

Utilisez le rembourrage de panneau central 206292 (5) si vous avez un panneau de 116 cm.

Die mittlere Korbwandpolsterung Nr. 206292 (5) wird bei Ausstattung mit 46-Zoll-Korbwand verwendet.

Use la almohadilla del tablero central N.º 206292 (5) si tiene un respaldo de 46".

### 205241 (#5)

Utilisez le rembourrage de panneau central 205241 (5) si vous avez un panneau de 121 cm.

Die mittlere Korbwandpolsterung Nr. 205241 (5) wird bei Ausstattung mit 48-Zoll-Korbwand verwendet.

Use la almohadilla del tablero central N.º 205241 (5) si tiene un respaldo de 48".

### 205566 (#5)

Utilisez le rembourrage de panneau central 205566 (5) si vous avez un panneau de 127 cm.

Die mittlere Korbwandpolsterung Nr. 205566 (5) wird bei Ausstattung mit 50-Zoll-Korbwand verwendet.

Use la almohadilla del tablero central N.º 205566 (5) si tiene un respaldo de 50".

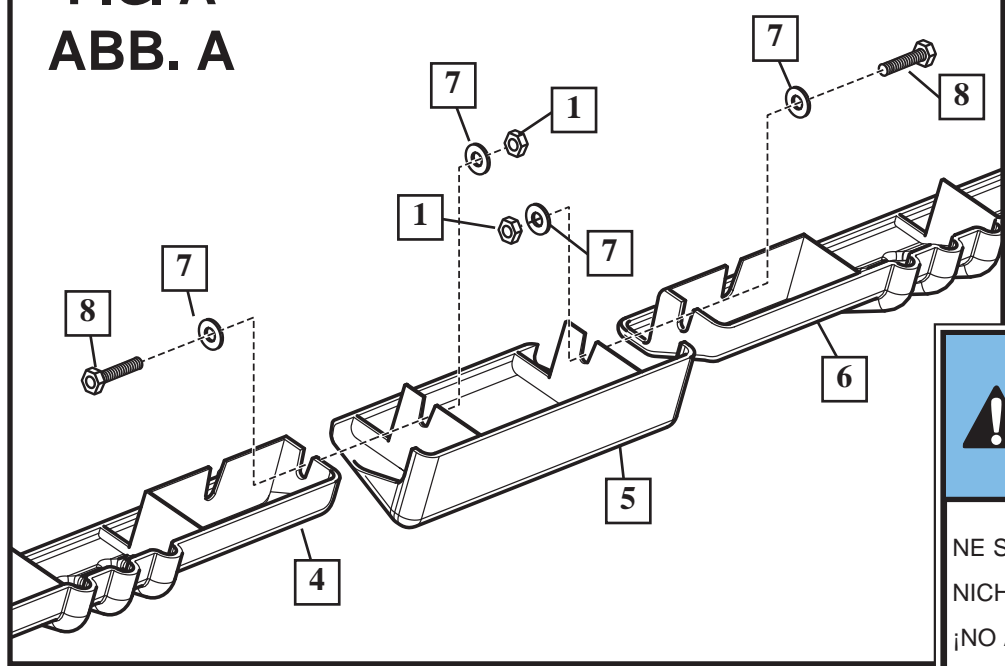
Le rembourrage de panneau central est inutile sur un panneau de 111 cm. Seuls les rembourrages de panneau gauche et droit seront utilisés.

Bei Ausstattung mit 44-Zoll-Korbwand ist die mittlere Korbwandpolsterung nicht erforderlich. Nur die linke und die rechte Korbwandpolsterung wird verwendet.

No se requiere la almohadilla del tablero central si usted tiene un respaldo de 44". Sólo se usarán las almohadillas del tablero izquierda y derecha.

1.

**FIG. A  
ABB. A**



**IMPORTANT!  
WICHTIG!  
¡IMPORTANTE!**

**NE SERREZ PAS TROP!  
NICHT ZU FEST ANZIEHEN!  
¡NO APRIETE EXCESIVAMENTE!**

Assemblez les sections de rembourrage du panneau (4, 5 et 6) avec la visserie (7, 8 et 1), comme illustré à la figure A, puis serrez à fond.

Die einzelnen Teile der Korbwandpolsterung (4, 5 und 6) wie in Abb. A dargestellt mit den Befestigungsteilen (7, 8, und 1) zusammenbauen und die Schrauben festziehen.

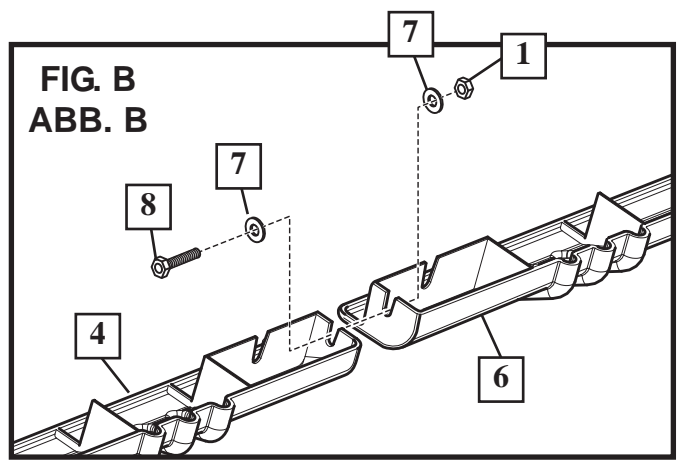
Monte las secciones de la almohadilla del tablero (4, 5 y 6) con el herraje (7, 8 y 1) como se muestra en la figura A y apriete completamente.

**REMARQUE:  
HINWEIS:  
NOTA:**

Le rembourrage de panneau central est inutile sur un panneau de 111 cm. Seuls les rembourrages de panneau gauche et droit seront utilisés. Voir la figure B.

Bei Ausstattung mit 44-Zoll-Korbwand ist die mittlere Korbwandpolsterung nicht erforderlich. Nur die linke und die rechte Korbwandpolsterung wird verwendet. Siehe Abbildung B.

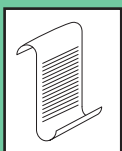
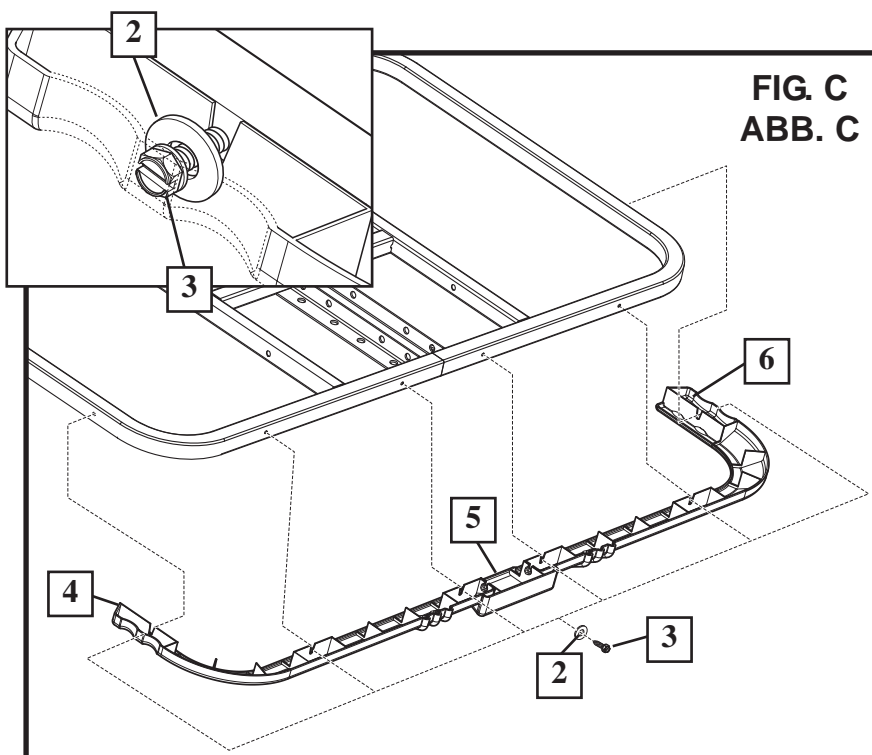
No se requiere la almohadilla del tablero central si usted tiene un respaldo de 44". Sólo se usarán las almohadillas del tablero izquierda y derecha. Consulte la figura B.



- 2.** Enfilez la visserie (2, 3) dans les trous, sans serrer, comme illustré à la figure C. Attachez les sections de rembourrage du panneau (4, 5 et 6) avec la visserie et serrez à fond.

Die Befestigungsteile (2 und 3) wie in Abb. C dargestellt lose einsetzen. Die Korbwandpolster (4, 5 und 6) mit den Befestigungsteilen montieren und die Schrauben festziehen.

Instale holgadamente el herraje (2, 3) en los orificios como se muestra en la figura C. Instale las almohadillas del tablero (4, 5 y 6) con el herraje y apriete completamente.

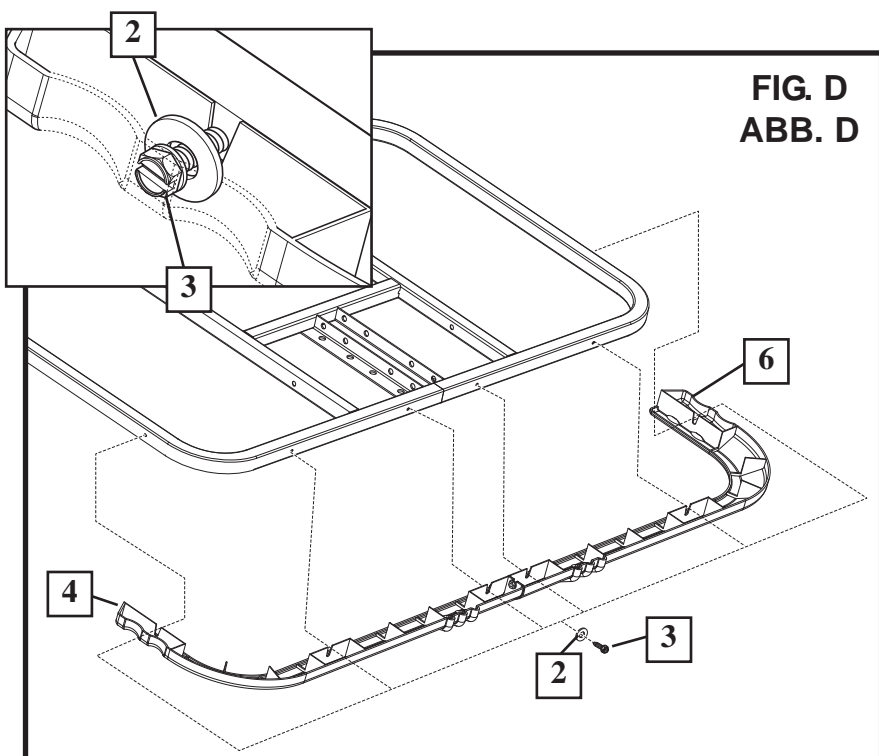


**REMARQUE:**  
**HINWEIS:**  
**NOTA:**

L'article 205241, 206292 205566 (5) n'est pas utilisé sur les panneaux en acrylique de 111 cm, comme illustré à la figure D.

Bei 44-Zoll-Akrylkorbwand (wie in Abbildung D gezeigt) wird das Teil Nr. 205241, 206292 bzw. Nr. (5) nicht verwendet.

No se utilizan las piezas N.º 205241, 206292 o 205566 (5) en los respaldos de acrílico de 44" como se muestra en la figura D.



## Free Manuals Download Website

<http://myh66.com>

<http://usermanuals.us>

<http://www.somanuals.com>

<http://www.4manuals.cc>

<http://www.manual-lib.com>

<http://www.404manual.com>

<http://www.luxmanual.com>

<http://aubethermostatmanual.com>

Golf course search by state

<http://golfingnear.com>

Email search by domain

<http://emailbydomain.com>

Auto manuals search

<http://auto.somanuals.com>

TV manuals search

<http://tv.somanuals.com>