

REQUIRED MATERIALS:



•2 People



•Wood Board (scrap)



•Sawhorse or Support Table

•Garden Hose or Sand



InstaHoop



Portable System Owners Manual

Customer Service Center

• N53 W24700 South Corporate Circle • Sussex, WI 53089 • U.S.A.



	! WARNING!
	READ AND UNDERSTAND OPERATOR'S MANUAL BEFORE USING THIS UNIT.
	FAILURE TO FOLLOW OPERATING INSTRUCTIONS COULD RESULT IN INJURY OR DAMAGE TO PROPERTY.

**Write Model Number
From Box Here:**

Toll-Free Customer Service Number for U.S: **1-800-558-5234**,

For Canada: **1-800-284-8339**,

For Europe: **00 800 555 85234** (Sweden: **009 555 85234**),

For Australia: **1-800-632 7921**

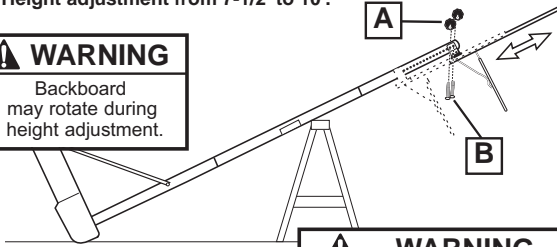
Internet Address: <http://www.huffysports.com>

HEIGHT ADJUSTMENT

Rest unit on support table. Remove adjustment knobs (A) and carriage bolts (B) to extend or retract backboard and rim. Height adjustment from 7-1/2' to 10'.

WARNING

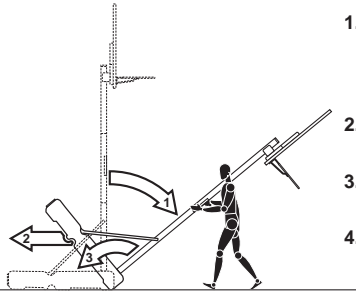
Backboard may rotate during height adjustment.



WARNING

Do not adjust height of system in upright position. System must be in down position to adjust.

MOVING SYSTEM



1. While holding pole, rotate basketball system forward until wheels engage with ground.
2. Move basketball system to desired location.
3. Carefully rotate basketball system upright.
4. Check system for stability.

5E2356 05/05

15



WARNING

Read and understand warnings listed below before using this product.

Failure to follow these warnings may result in serious injury and/or property damage.

Owner must ensure that all players know and follow these rules for safe operation of the system.

- DO NOT HANG on the rim or any part of the system including backboard, support braces or net.
- During play, especially when performing dunk type activities, keep player's face away from the backboard, rim and net. Serious injury could occur if teeth/face come in contact with backboard, rim or net.
- Do not slide, climb, shake or play on base and/or pole.
- After assembly is complete, fill system completely with water or sand. Never leave system in an upright position without filling base with weight, as system may tip over causing injuries.
- When adjusting height or moving system, keep hands and fingers away from moving parts.
- Do not allow children to move or adjust system.
- During play, do not wear jewelry (rings, watches, necklaces, etc.). Objects may entangle in net.
- Surface beneath the base must be smooth and free of gravel or other sharp objects. Punctures cause leakage and could cause system to tip over.
- Keep organic material away from pole base. Grass, litter, etc. could cause corrosion and/or deterioration.
- Check pole system for signs of corrosion (rust, pitting, chipping) and repaint with exterior enamel paint. If rust has penetrated through the steel anywhere, replace pole immediately.
- Check system before each use for proper ballast, loose hardware, excessive wear and signs of corrosion and repair before use.
- Check system before each use for instability.
- Do not use system during windy and/or severe weather conditions; system may tip over. Place system in the storage position and/or in an area protected from the wind and free from personal property and/or overhead wires.
- Never play on damaged equipment.
- When moving system, use caution to keep mechanism from shifting.
- Keep pole top covered with cap at all times.
- Do not allow water in tank to freeze. During sub-freezing weather add 2 gallons of non-toxic antifreeze, sand or empty tank completely and store. (Do not use salt.)
- While moving system, do not allow anyone to stand or sit on base or have added ballasting on base.
- Do not leave system unsupervised or play on system when wheels are engaged for moving.
- Use Caution when moving system across uneven surfaces. System may tip over.
- Use extreme caution if placing system on sloped surface. System may tip over more easily.
- See instruction manual for proper installation and maintenance.

SPALDING
In the U.S.: 1-800-772-5346

HYDRA-RIB
In the U.S.: 1-800-334-9111

RUSSELL
RATHLETIC

SURE SHOT
In the U.S.: 1-888-713-5488

HUFFY SPORTS
In the U.S.: 1-800-558-5234
Canada: 1-800-284-8339

ID#: 556790 05/05



SAFETY INSTRUCTIONS



FAILURE TO FOLLOW THESE SAFETY INSTRUCTIONS MAY RESULT IN SERIOUS INJURY OR PROPERTY DAMAGE AND WILL VOID WARRANTY.

Owner must ensure that all players know and follow these rules for safe operation of the system.

To ensure safety, do not attempt to assemble this system without following the instructions carefully. Proper and complete assembly, use, and supervision are essential for proper operation and to reduce the risk of accident or injury. A high probability of serious injury exists if this system is not installed, maintained, and operated properly.

- If using a ladder during assembly, use extreme caution.
- Check base regularly for leakage. Slow leaks could cause the system to tip over unexpectedly
- Seat the pole sections properly (if applicable). Failure to do so could allow the pole sections to separate during play and/or during transport of the system.
- Climate, corrosion or misuse could result in system failure.
- If technical assistance is required, contact Customer Service.
- Minimum operational height is 6'-6" (1.98m) to the bottom of backboard.

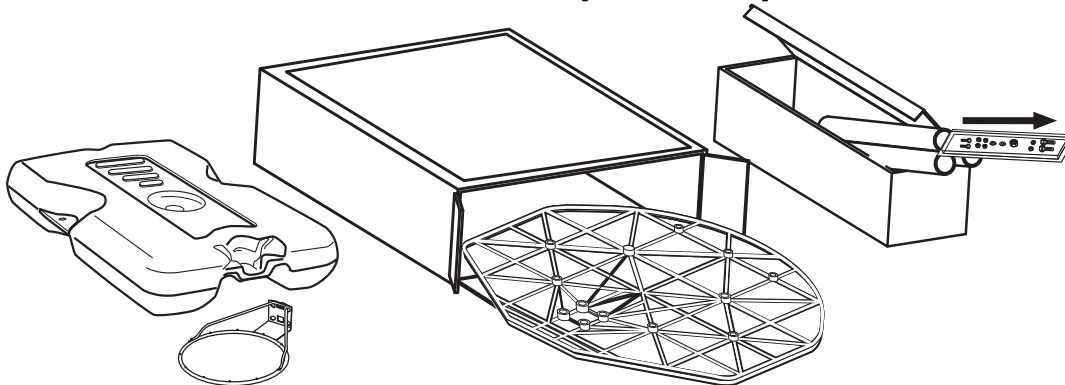
*Most injuries are caused by misuse and/or not following instructions.
Use caution when using this unit.*

NOTICE TO ASSEMBLERS

ALL basketball systems, including those used for DISPLAYS, MUST be assembled and ballasted with sand or water according to instructions. Failure to follow instructions could result in SERIOUS INJURY. It is NOT acceptable to devise a makeshift weight system.

IMPORTANT!

**Remove all contents from boxes.
Be sure to check inside pole sections;
hardware and additional parts are packed inside.**



Questions or Missing Parts?

DON'T go back to store!

**Call TOLL-FREE Customer Service
Number listed on the front page!**

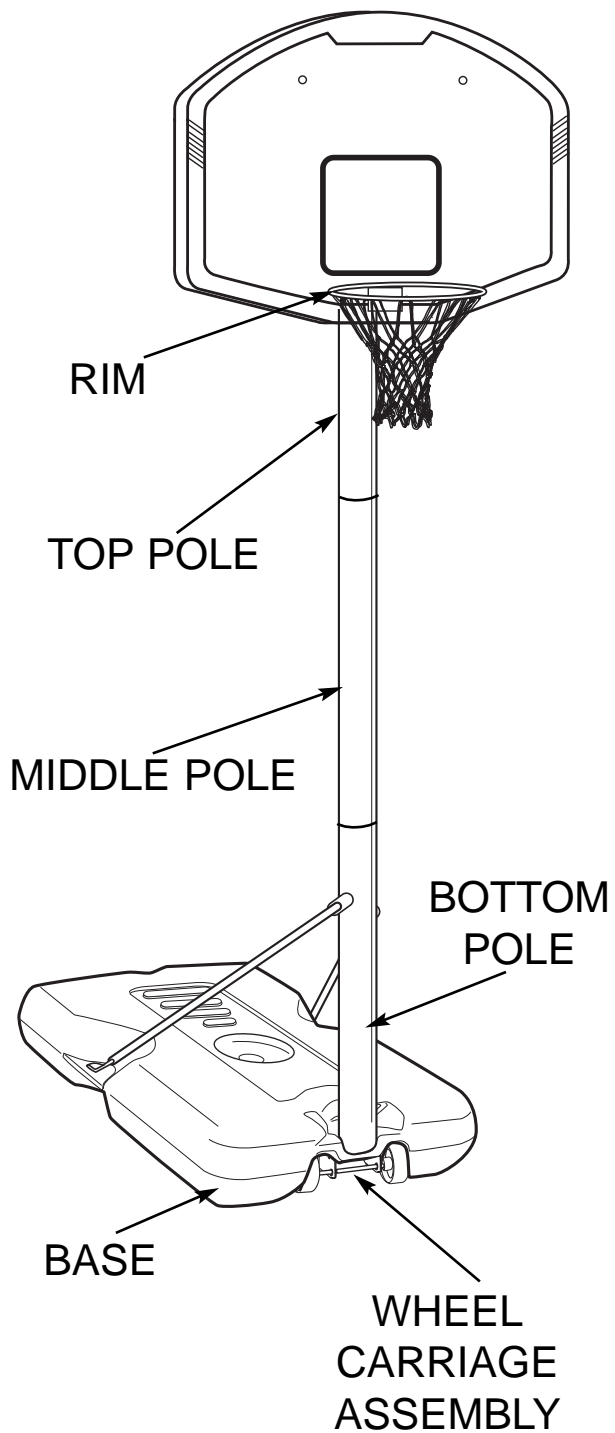
WARRANTY CARD:

Please remember to complete your product registration form either on-line at:

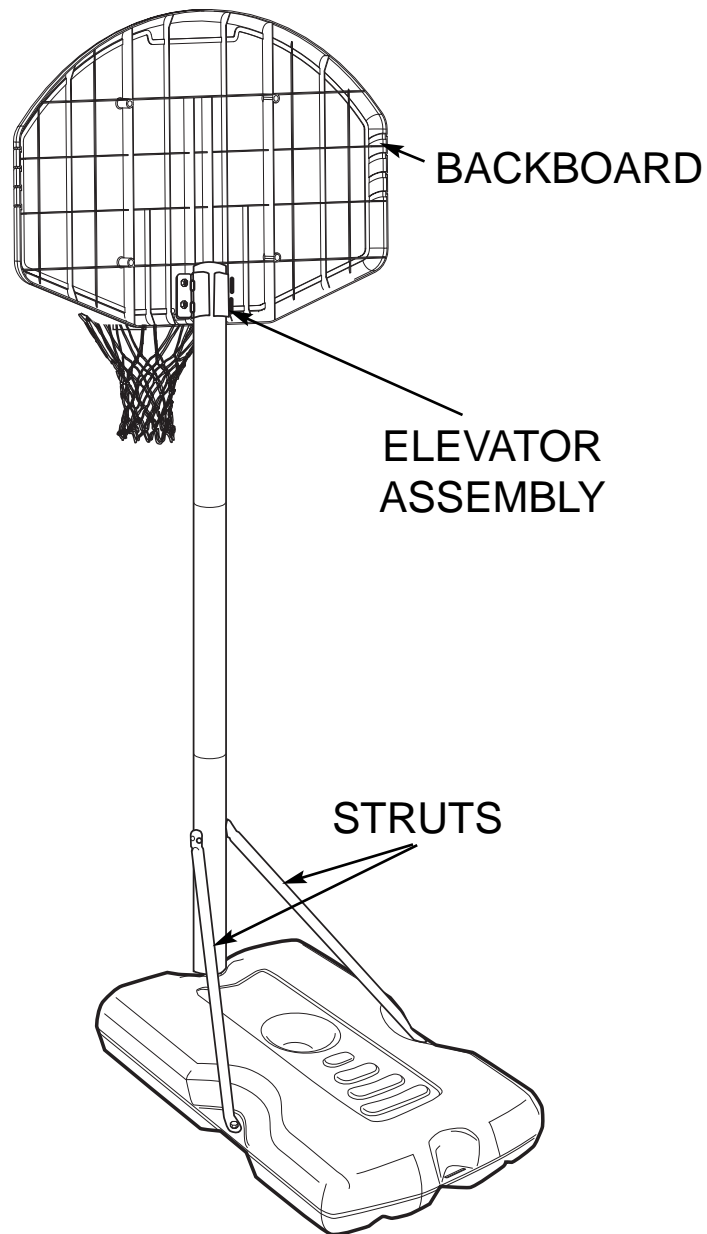
www.huffysports.com/customer_support/product_registration
or mail-in the enclosed postcard.

Get to know the basic parts of your basketball system...

FRONT VIEW



BACK VIEW

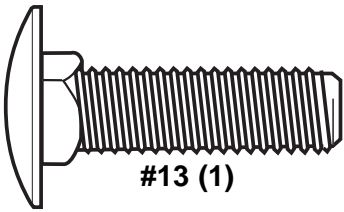


PARTS LIST

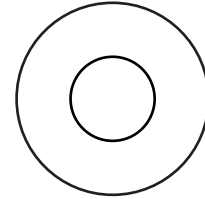
<input checked="" type="checkbox"/>	<u>Item</u>	<u>Qty.</u>	<u>Part No.</u>	<u>Description</u>
<input type="checkbox"/>	1	1	206646	Tank (Black)
<input type="checkbox"/>	2	1	200628	Wheel Axle
<input type="checkbox"/>	3	2	226401	Wheel
<input type="checkbox"/>	4	1	908200	Top Pole Section
<input type="checkbox"/>	5	1	908246	Middle Pole Section with Label
<input type="checkbox"/>	6	1	900644	Bottom Pole Section Assembly
<input type="checkbox"/>	7	1	203041	Nut, Hex Flange, 3/8-16
<input type="checkbox"/>	8	1		Net
<input type="checkbox"/>	9	1	201342	Wheel Bracket
<input type="checkbox"/>	10	2	201651	Spacer, Wheel Axle
<input type="checkbox"/>	11	1	902319	Rim Bracket
<input type="checkbox"/>	12	1	206219	Cap
<input type="checkbox"/>	13	1	266001	Bolt, Carriage, 3/8-16 x 1.5 Long
<input type="checkbox"/>	14	1	203617	Tank Cap
<input type="checkbox"/>	15	1	5E2356	Label, Moving System and Height Adjust.
<input type="checkbox"/>	16	3	203084	Bolt, Carriage, 5/16-18 x 1.75 Long
<input type="checkbox"/>	17	5	201344	Knob, Plastic, 3-sided
<input type="checkbox"/>	18	1		Rim
<input type="checkbox"/>	19	2	203053	Bolt, Carriage 5/16-18 x 4
<input type="checkbox"/>	20	1	900253	Backboard Mounting Bracket
<input type="checkbox"/>	21	3	203309	Washer, .406 I.D. x 1.0 O.D.
<input type="checkbox"/>	22	1		Backboard

* YOU MAY HAVE EXTRA PARTS WITH THIS MODEL.

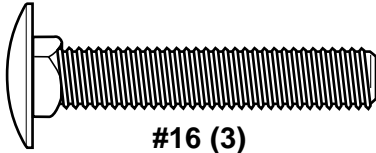
PARTS IDENTIFIER- Actual Size



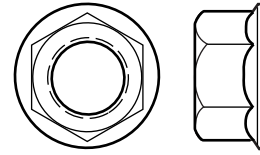
#13 (1)



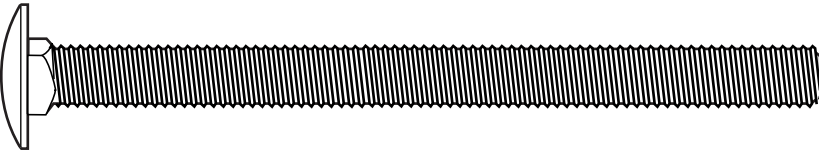
#21 (3)



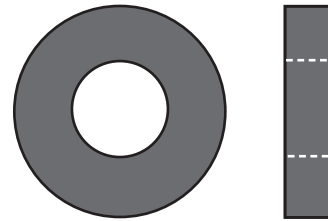
#16 (3)



#7 (1)

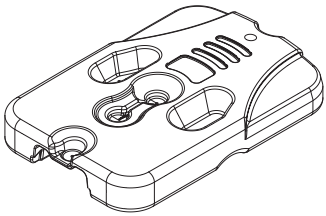


#19 (2)

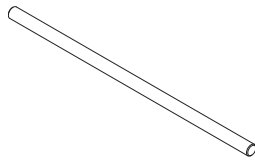


#10 (2)

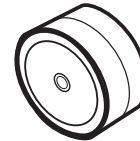
PARTS IDENTIFIER- Not Actual Size



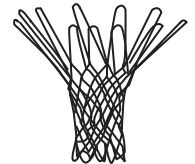
#1 (1)



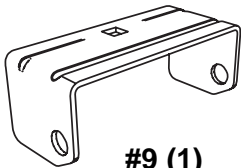
#2 (1)



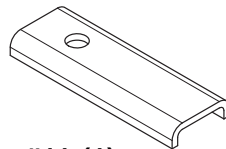
#3 (2)



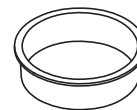
#8 (1)



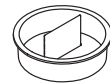
#9 (1)



#11 (1)



#12 (1)



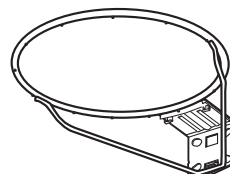
#14 (1)



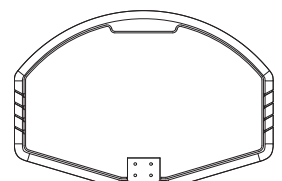
#17 (5)



#20 (1)

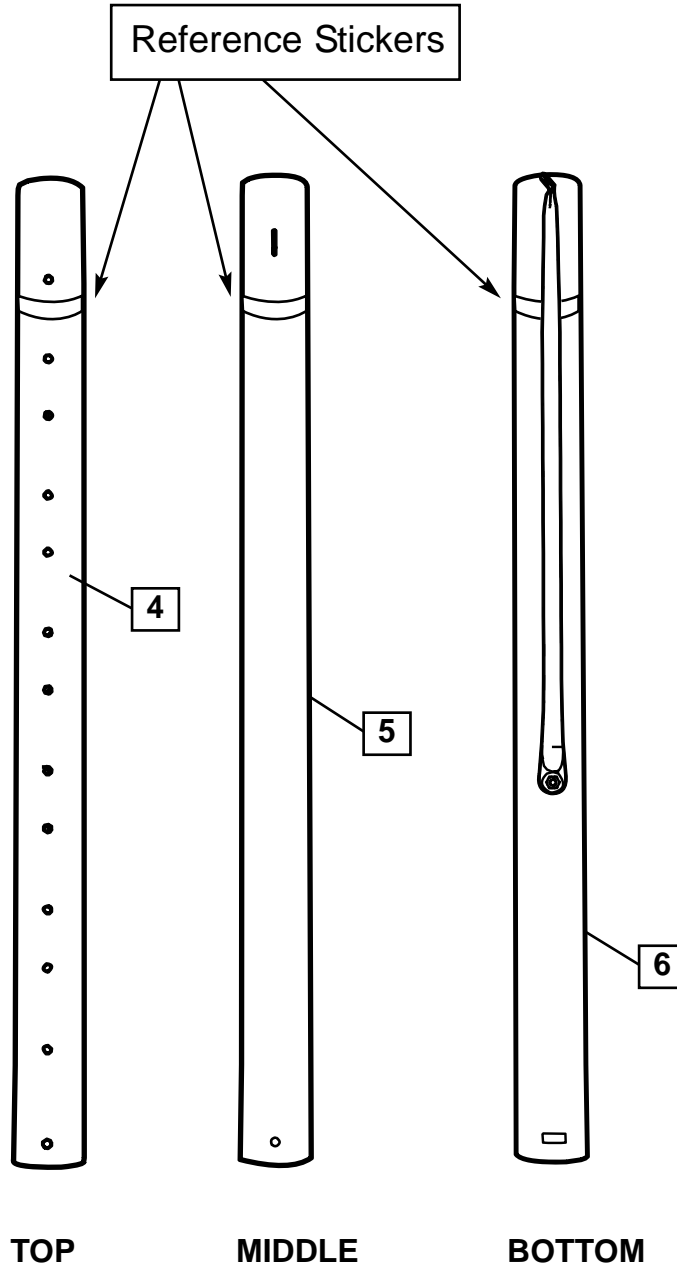


#18 (1)



#22 (1)

1. Correctly identify each pole section. Poles have an identification sticker that will be used as a reference point in the next step.



IMPORTANT!

ONCE POLE SECTIONS ARE POUNDED TOGETHER- THEY CANNOT BE TAKEN APART

2. Align poles using **alignment marks**. First, pound top and middle poles together by bouncing them on a scrap piece of wood on the ground as shown in **FIG A.** until they no longer move toward pole identification stickers. **THEN** add bottom pole section and pound together in the same way **FIG B.**

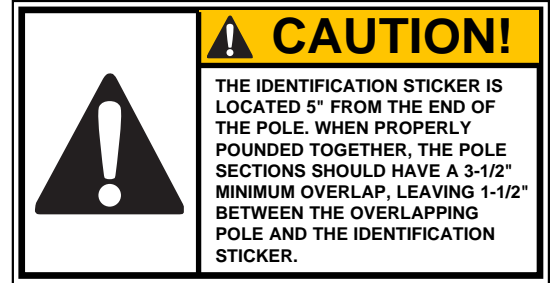
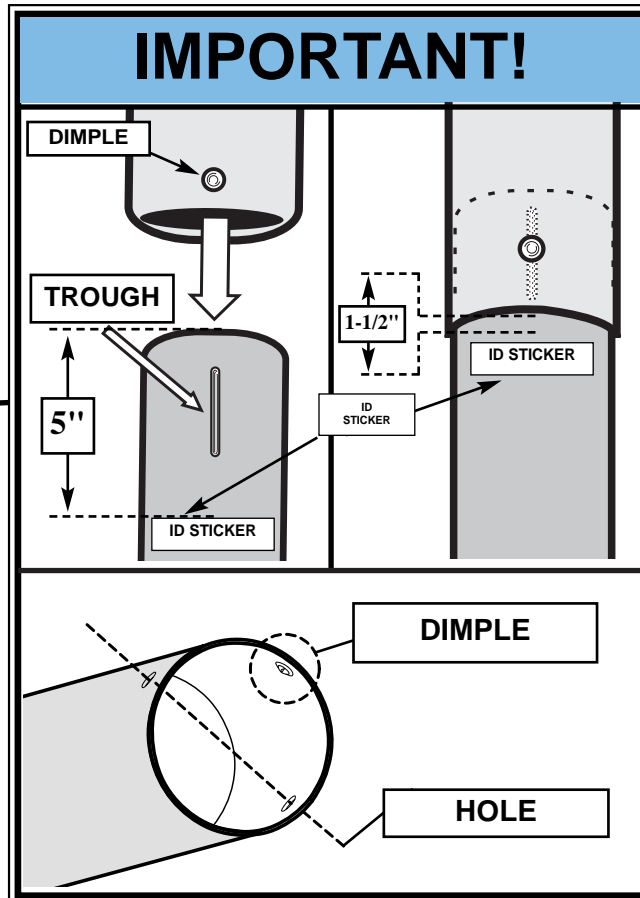
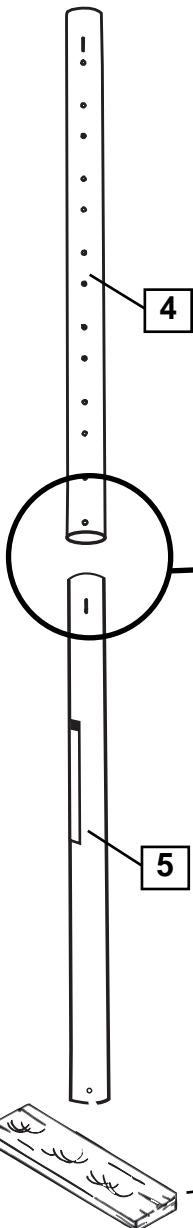
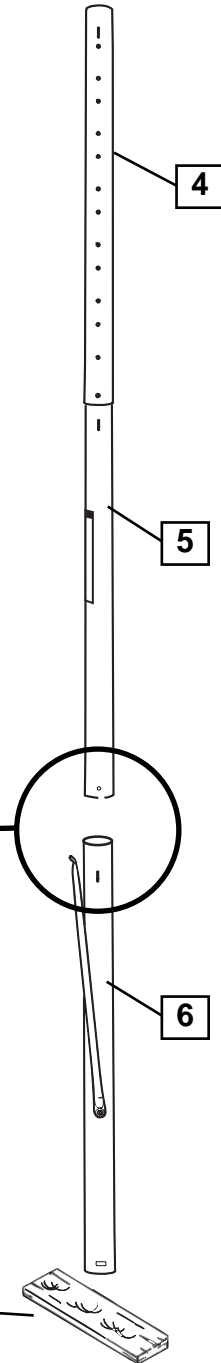


FIG. A.



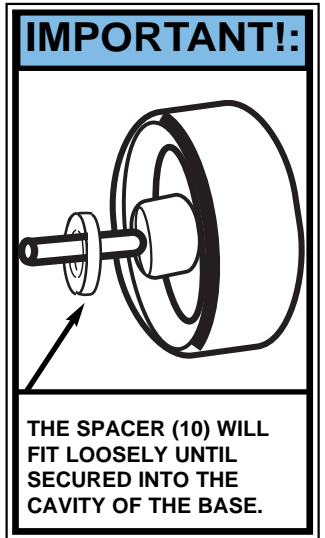
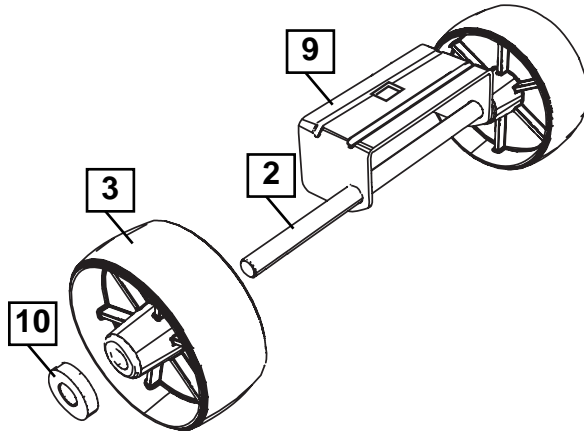
Wood Scrap
(NOT SUPPLIED)

FIG. B.



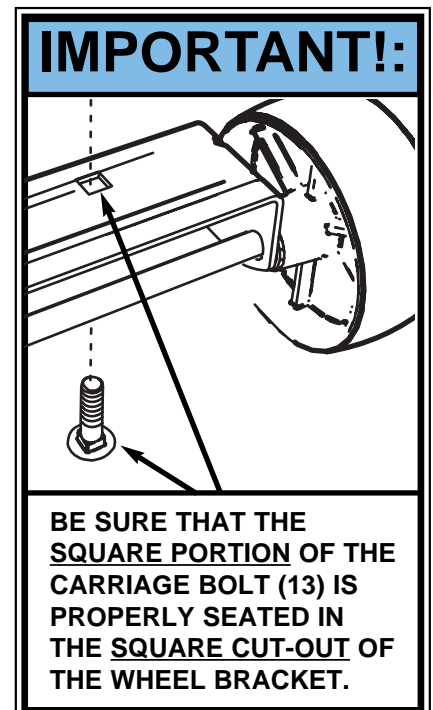
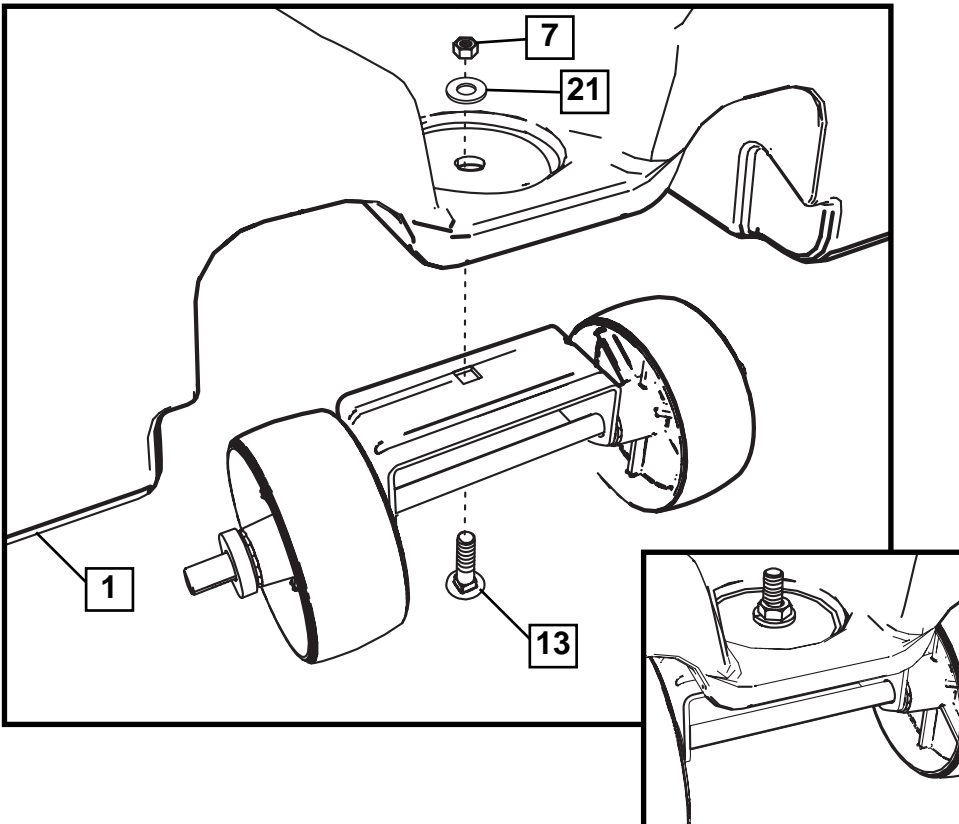
3.

Install wheel axle (2) through wheel bracket (9) and install wheels (3) onto wheel axle (2) with spacers (10) as shown.



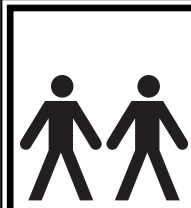
4.

Attach wheel carriage assembly to base (1) with bolt (13), washer (21), and nut (7) as shown. FINGER TIGHTEN - NO TOOLS REQUIRED. Assembly will be fully tightened in next step.



5.

Attach pole assembly to tank assembly as shown. Secure pole assembly to tank and wheel bracket by turning the pole assembly clockwise as shown. Tighten pole completely and further rotate pole until struts are aligned correctly as shown in **FIG B**.



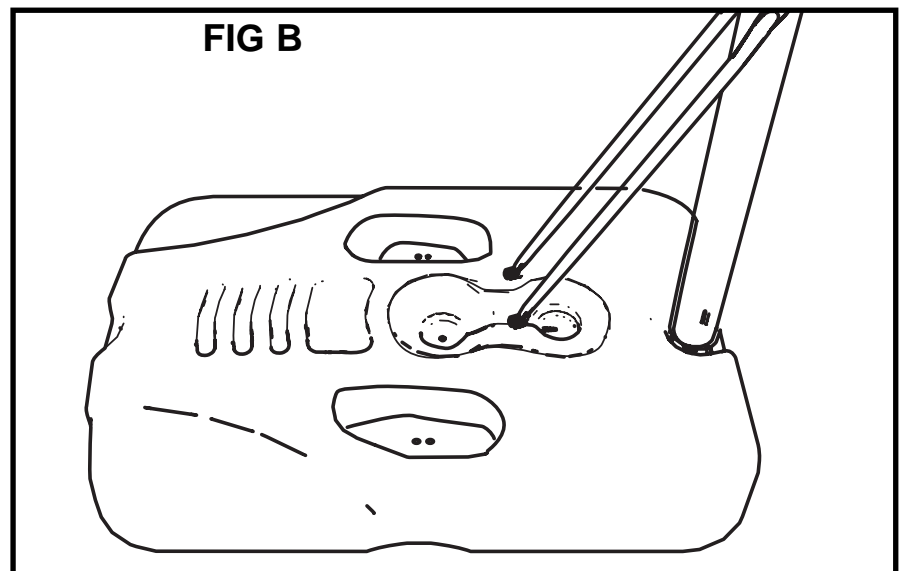
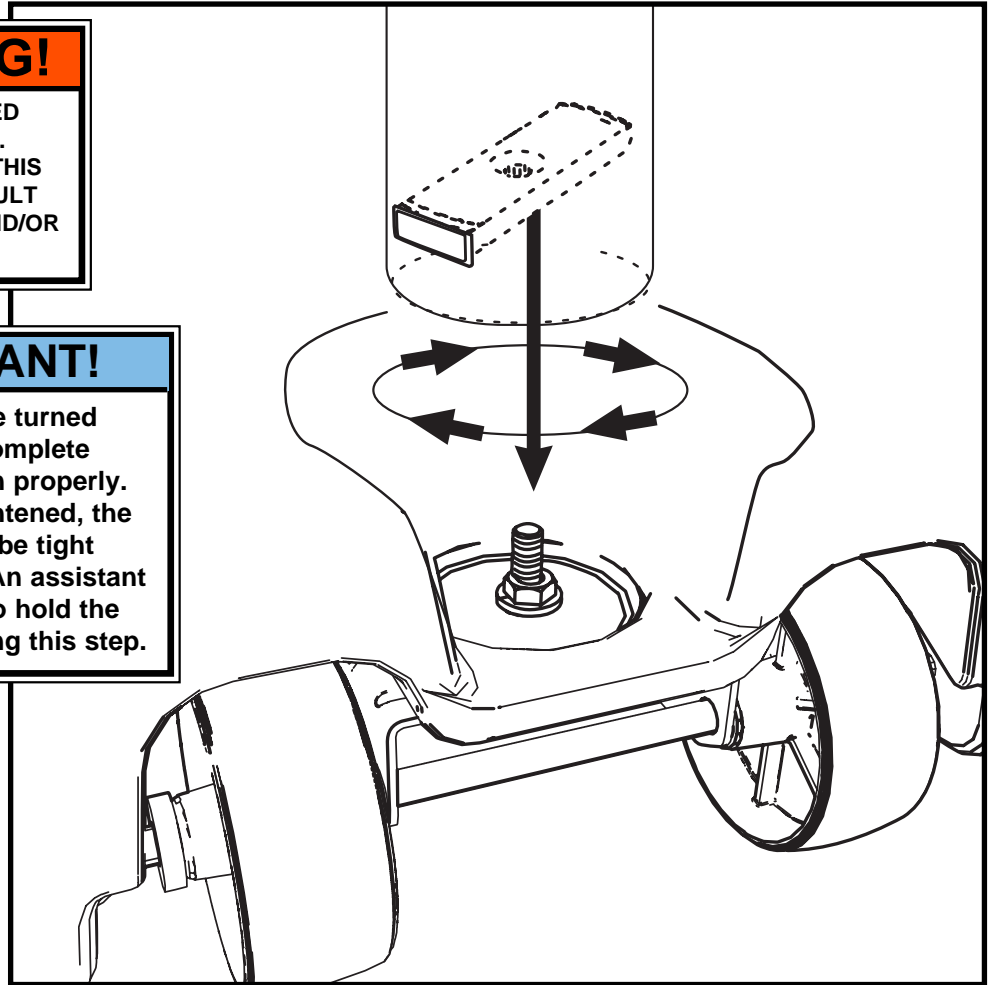
! WARNING!

TWO PEOPLE REQUIRED FOR THIS PROCEDURE. FAILURE TO FOLLOW THIS WARNING COULD RESULT IN SERIOUS INJURY AND/OR PROPERTY DAMAGE.



IMPORTANT!

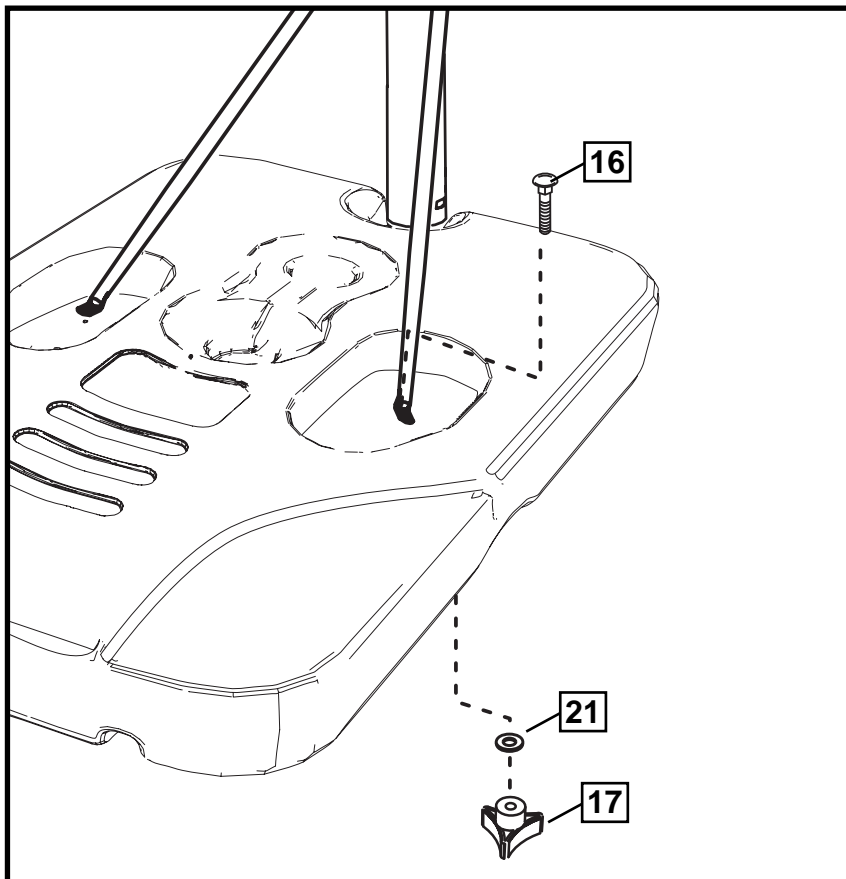
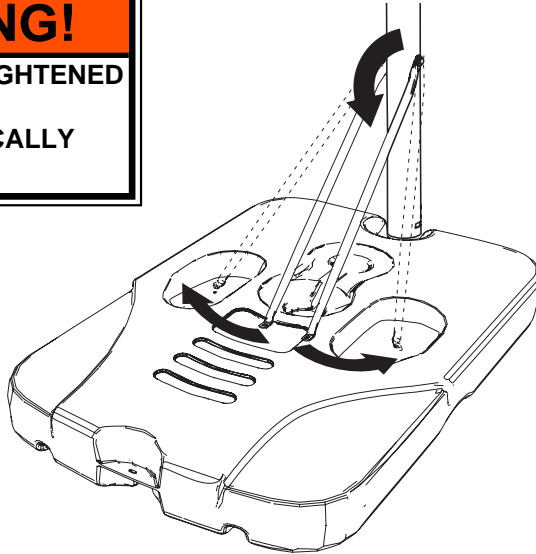
The pole should be turned approximately 7 complete rotations to tighten properly. When properly tightened, the wheel bracket will be tight against the base. An assistant is recommended to hold the base in place during this step.



6.

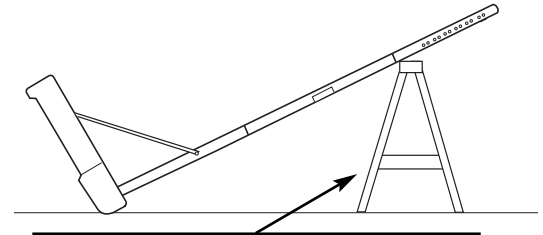
Rotate struts down and bend struts outward to line up with holes on base as shown. Secure free ends of tank struts to tank with carriage bolt (16), washer (21), and knob (17) as shown. Repeat for other side.

	<p>! WARNING! KNOBS MUST BE TIGHTENED COMPLETELY AND CHECKED PERIODICALLY FOR TIGHTNESS.</p>
--	---



7.

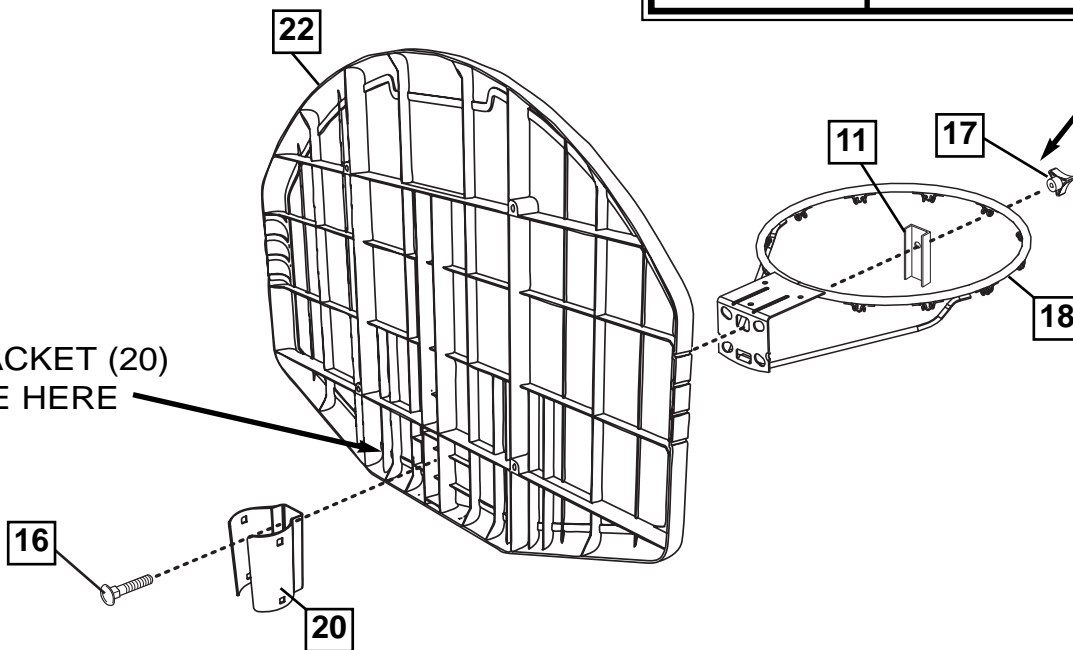
Pole bracket (20) will need to be lightly pressed into backboard ribbing. Be sure to press completely into place. Attach rim (18) to backboard (22) and pole bracket (20) with knob (17), reinforcement bracket (11), and carriage bolt (16) as shown. Tighten knob completely.



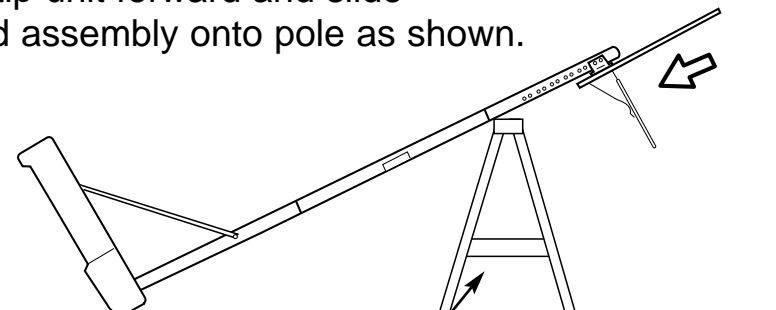
SAWHORSE OR SUPPORT TABLE



PRESS BRACKET (20)
INTO PLACE HERE

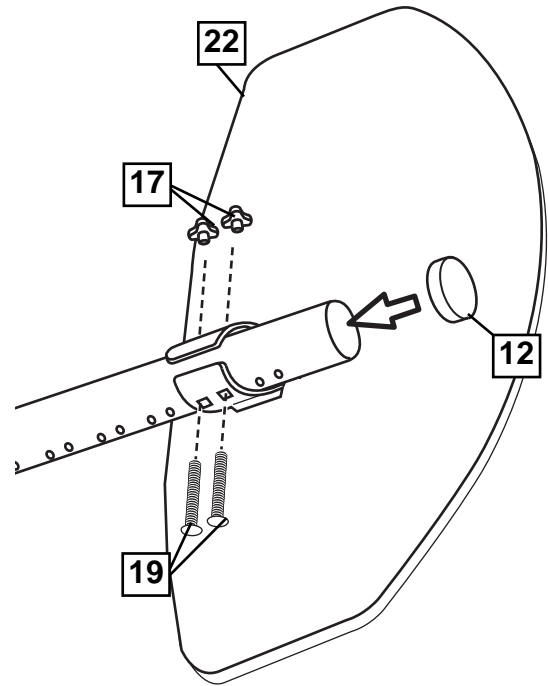


Carefully tip unit forward and slide
backboard assembly onto pole as shown.

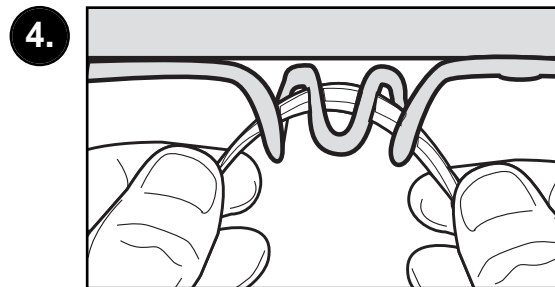
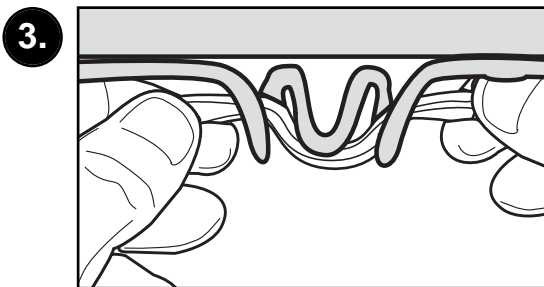
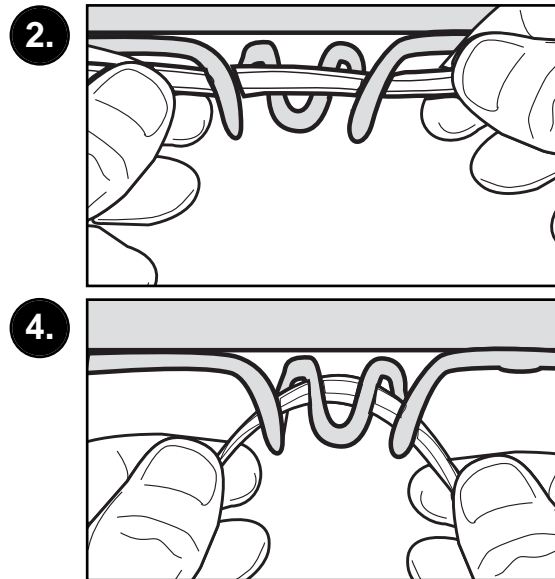
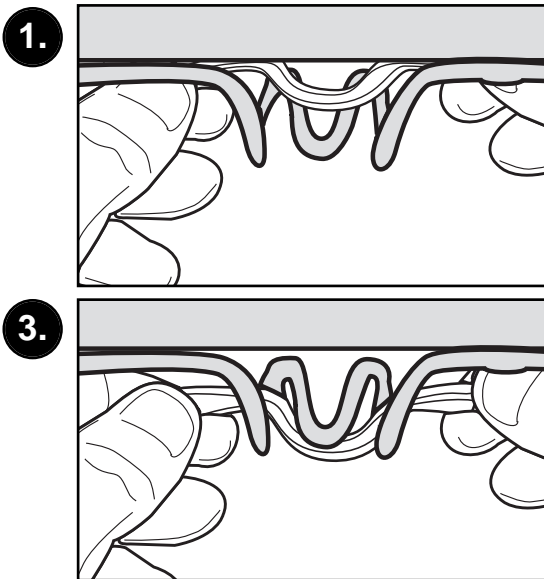


SAWHORSE OR SUPPORT TABLE

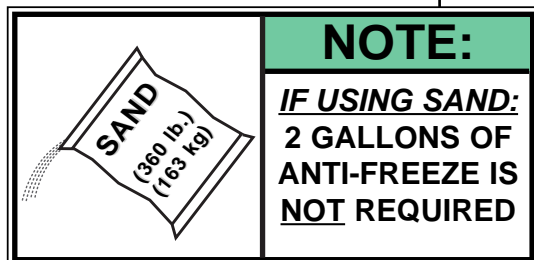
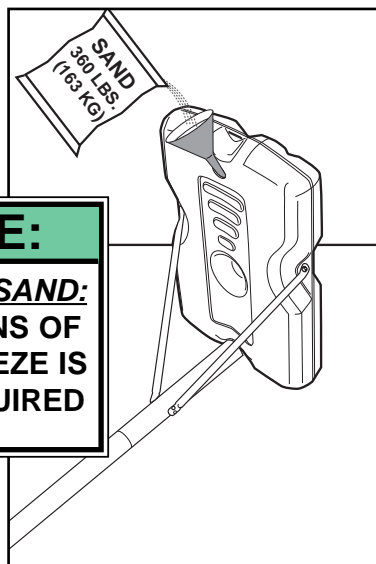
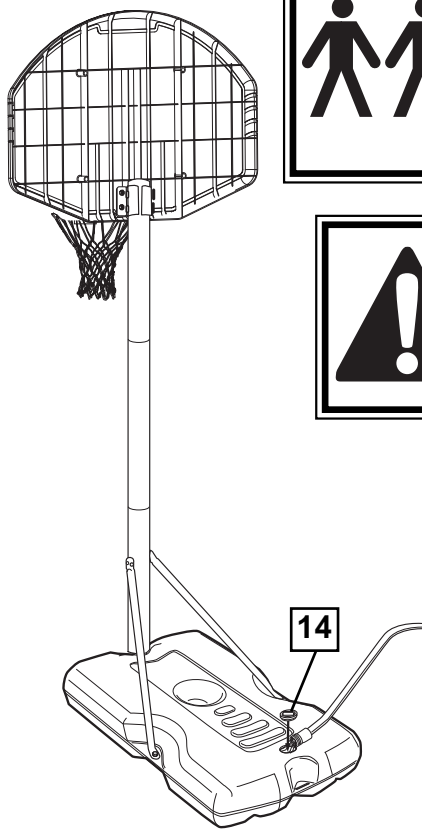
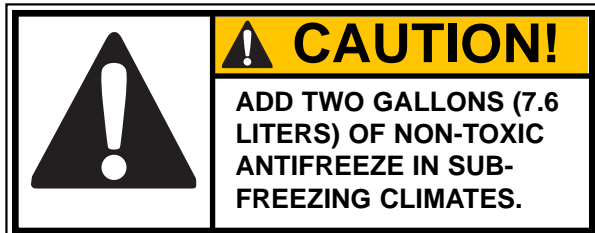
8. Attach board assembly to pole with carriage bolts (19) and knobs (17) as shown. Install pole cap (12) as shown.



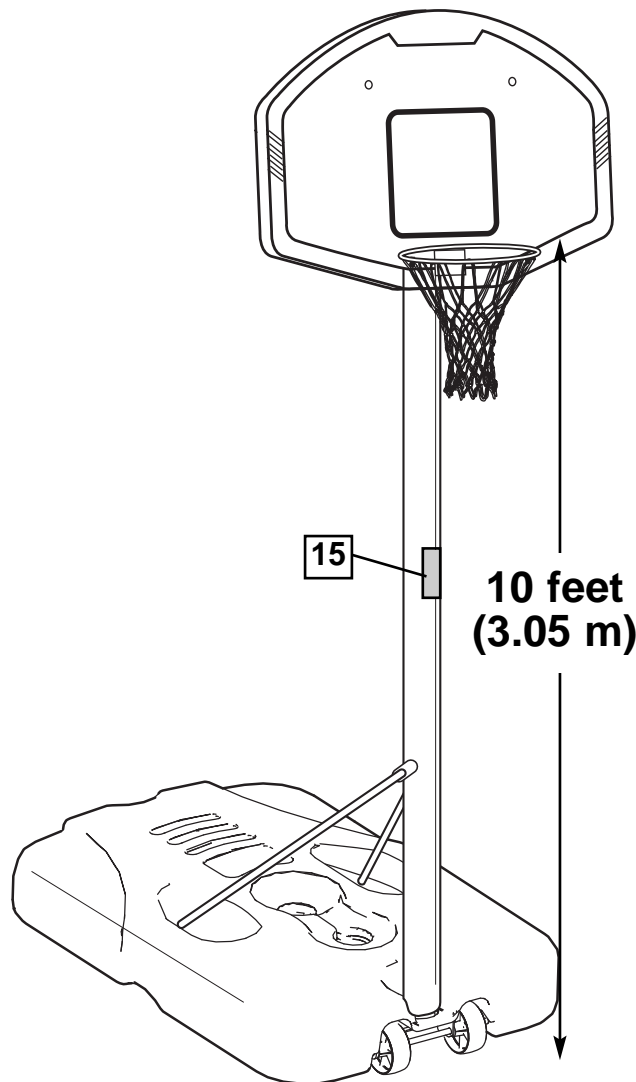
9. Install net (8).



10. Place assembled unit in desired location. Fill tank with water (26 gallons/98.4 liters) or sand (approx. 360 lb./163 kg) and snap tank cap (14) in place.



11. Attach height and moving label (15) to front of pole as shown. Regulation rim height is 10 feet (3.05 m).



Free Manuals Download Website

<http://myh66.com>

<http://usermanuals.us>

<http://www.somanuals.com>

<http://www.4manuals.cc>

<http://www.manual-lib.com>

<http://www.404manual.com>

<http://www.luxmanual.com>

<http://aubethermostatmanual.com>

Golf course search by state

<http://golfingnear.com>

Email search by domain

<http://emailbydomain.com>

Auto manuals search

<http://auto.somanuals.com>

TV manuals search

<http://tv.somanuals.com>