

**REQUIRED TOOLS
AND MATERIALS:**



• 2 People

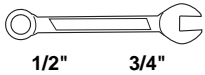


• Wood Board
(scrap)



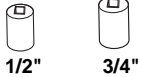
• Sawhorse or
Support Table

• (2 each) Wrenches and/or
Socket Wrenches and
Sockets.



1/2" 3/4"

AND/OR



1/2" 3/4"

• Garden Hose or Sand



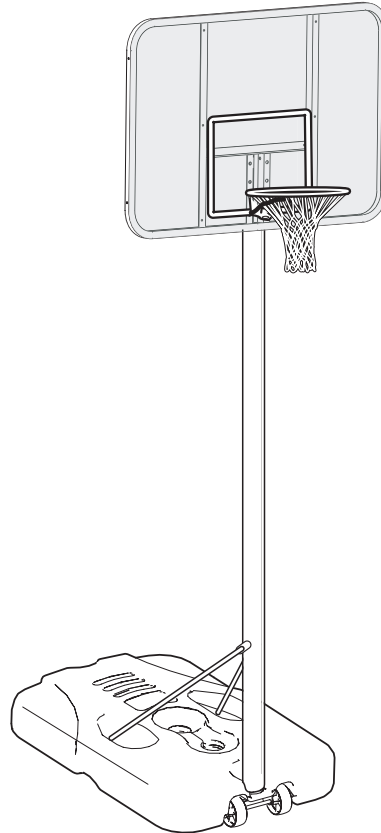
HUFFY[®]SPORTS


A DIVISION OF RUSSELL CORPORATION

Portable System Owners Manual

Customer Service Center

• N53 W24700 South Corporate Circle • Sussex, WI 53089 • U.S.A.





! WARNING!

READ AND UNDERSTAND
OPERATOR'S MANUAL
BEFORE USING THIS UNIT.

FAILURE TO FOLLOW
OPERATING INSTRUCTIONS
COULD RESULT IN INJURY
OR DAMAGE TO
PROPERTY.

**Write Model Number
From Box Here:**

Toll-Free Customer Service Number for U.S: 1-800-558-5234,

For Canada: 1-800-284-8339,

For Europe: 00 800 555 85234 (Sweden: 009 555 85234),

For Australia: 1-800-632 7921

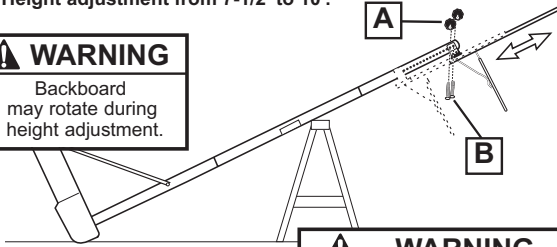
Internet Address: <http://www.huffysports.com>

HEIGHT ADJUSTMENT

Rest unit on support table. Remove adjustment knobs (A) and carriage bolts (B) to extend or retract backboard and rim. Height adjustment from 7-1/2' to 10'.

WARNING

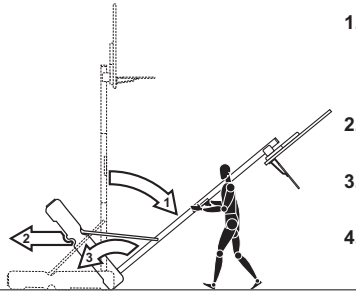
Backboard may rotate during height adjustment.



WARNING

Do not adjust height of system in upright position. System must be in down position to adjust.

MOVING SYSTEM



1. While holding pole, rotate basketball system forward until wheels engage with ground.
2. Move basketball system to desired location.
3. Carefully rotate basketball system upright.
4. Check system for stability.

5E2356 05/05

15

WARNING



Read and understand warnings listed below before using this product.

Failure to follow these warnings may result in serious injury and/or property damage.

Owner must ensure that all players know and follow these rules for safe operation of the system.

- DO NOT HANG on the rim or any part of the system including backboard, support braces or net.
- During play, especially when performing dunk type activities, keep player's face away from the backboard, rim and net. Serious injury could occur if teeth/face come in contact with backboard, rim or net.
- Do not slide, climb, shake or play on base and/or pole.
- After assembly is complete, fill system completely with water or sand. Never leave system in an upright position without filling base with weight, as system may tip over causing injuries.
- When adjusting height or moving system, keep hands and fingers away from moving parts.
- Do not allow children to move or adjust system.
- During play, do not wear jewelry (rings, watches, necklaces, etc.). Objects may entangle in net.
- Surface beneath the base must be smooth and free of gravel or other sharp objects. Punctures cause leakage and could cause system to tip over.
- Keep organic material away from pole base. Grass, litter, etc. could cause corrosion and/or deterioration.
- Check pole system for signs of corrosion (rust, pitting, chipping) and repaint with exterior enamel paint. If rust has penetrated through the steel anywhere, replace pole immediately.
- Check system before each use for proper ballast, loose hardware, excessive wear and signs of corrosion and repair before use.
- Check system before each use for instability.
- Do not use system during windy and/or severe weather conditions; system may tip over. Place system in the storage position and/or in an area protected from the wind and free from personal property and/or overhead wires.
- Never play on damaged equipment.
- When moving system, use caution to keep mechanism from shifting.
- Keep pole top covered with cap at all times.
- Do not allow water in tank to freeze. During sub-freezing weather add 2 gallons of non-toxic antifreeze, sand or empty tank completely and store. (Do not use salt.)
- While moving system, do not allow anyone to stand or sit on base or have added ballasting on base.
- Do not leave system unsupervised or play on system when wheels are engaged for moving.
- Use Caution when moving system across uneven surfaces. System may tip over.
- Use extreme caution if placing system on sloped surface. System may tip over more easily.
- See instruction manual for proper installation and maintenance.

SPALDING
In the U.S.: 1-800-772-5346

HYDRA-RIB
In the U.S.: 1-800-334-9111

RUSSELL
ATHLETIC

SURE SHOT

HUFFY SPORTS

In the U.S.: 1-888-713-5488

In the U.S.: 1-800-558-5234
Canada: 1-800-284-8339

ID#: 556790 05/05



SAFETY INSTRUCTIONS



FAILURE TO FOLLOW THESE SAFETY INSTRUCTIONS MAY RESULT IN SERIOUS INJURY OR PROPERTY DAMAGE AND WILL VOID WARRANTY.

Owner must ensure that all players know and follow these rules for safe operation of the system.

To ensure safety, do not attempt to assemble this system without following the instructions carefully. Proper and complete assembly, use, and supervision are essential for proper operation and to reduce the risk of accident or injury. A high probability of serious injury exists if this system is not installed, maintained, and operated properly.

- If using a ladder during assembly, use extreme caution.
- Check base regularly for leakage. Slow leaks could cause the system to tip over unexpectedly
- Seat the pole sections properly (if applicable). Failure to do so could allow the pole sections to separate during play and/or during transport of the system.
- Climate, corrosion or misuse could result in system failure.
- If technical assistance is required, contact Huffy Sports.
- Minimum operational height is 6'-6" (1.98m) to the bottom of backboard.

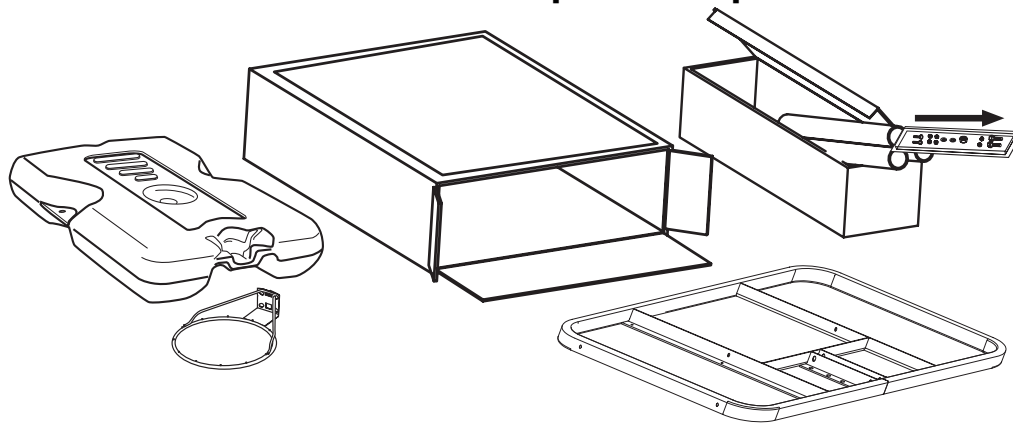
*Most injuries are caused by misuse and/or not following instructions.
Use caution when using this unit.*

NOTICE TO ASSEMBLERS

ALL Huffy Sports basketball systems, including those used for DISPLAYS, MUST be assembled and ballasted with sand or water according to instructions. Failure to follow instructions could result in SERIOUS INJURY. It is NOT acceptable to devise a makeshift weight system.

IMPORTANT!

**Remove all contents from boxes.
Be sure to check inside pole sections;
hardware and additional parts are packed inside.**



Questions or Missing Parts?

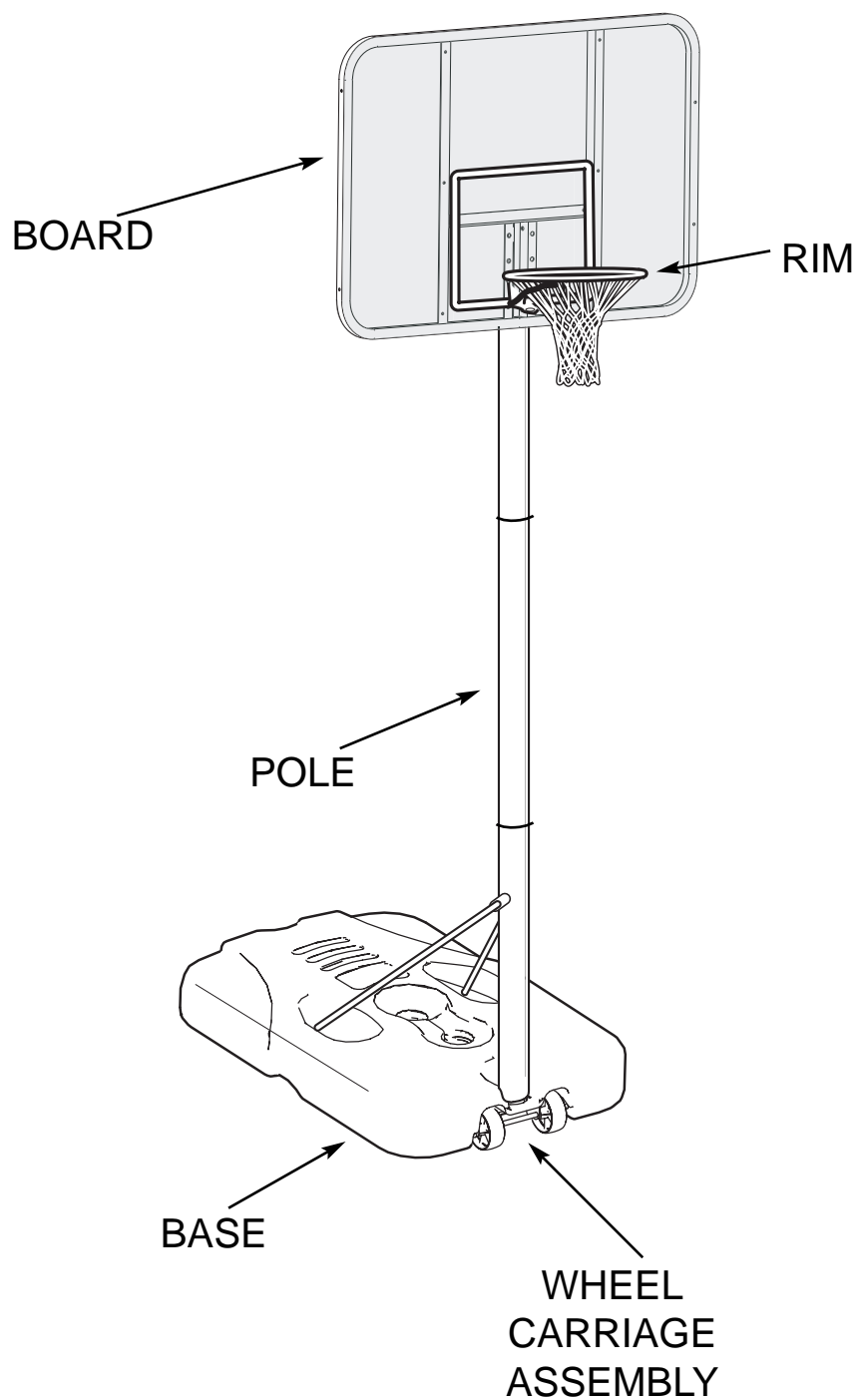
DON'T go back to store!

**Call TOLL-FREE Customer Service
Number listed on the front page!**

WARRANTY CARD:

Please remember to complete your product registration form either on-line at:
www.huffysports.com/warrantycard or mail-in the enclosed postcard.

FRONT VIEW

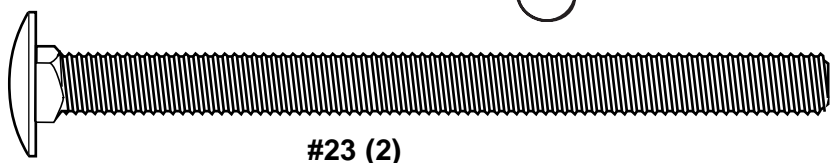
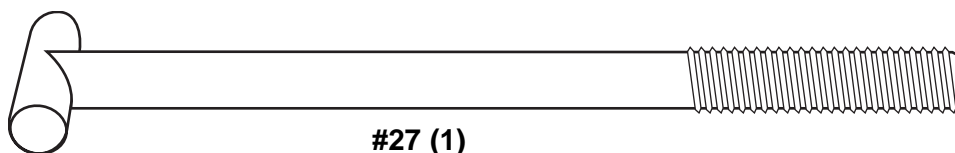
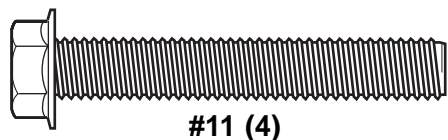
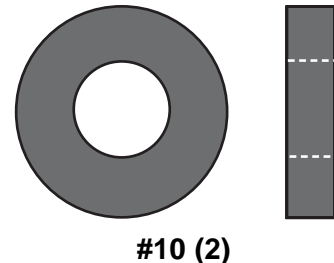
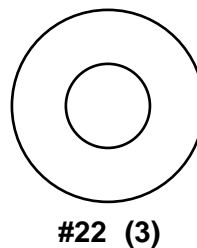
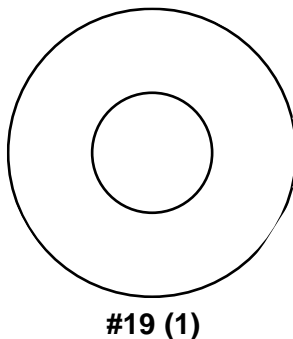
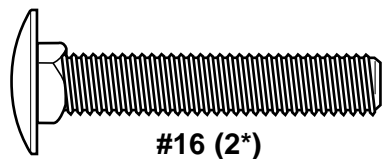
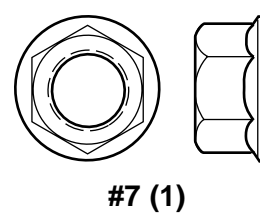
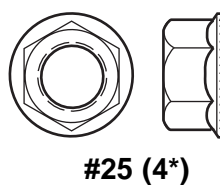
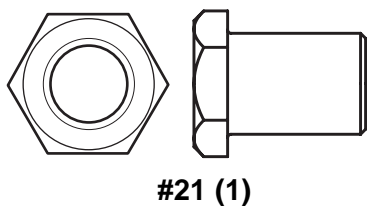
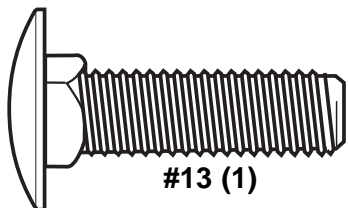


PARTS LIST

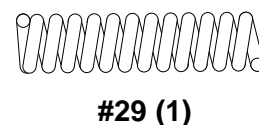
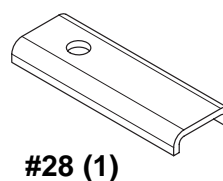
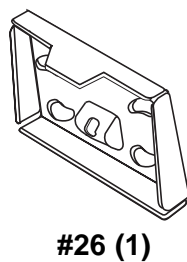
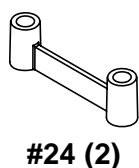
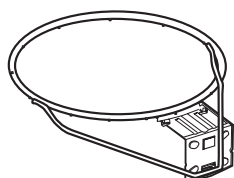
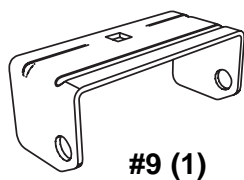
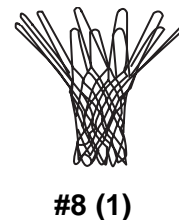
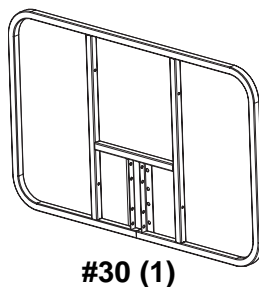
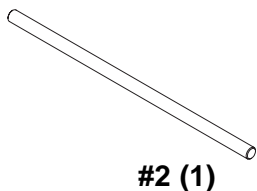
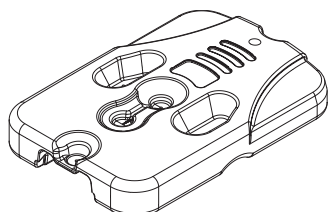
<input checked="" type="checkbox"/>	<u>Item</u>	<u>Qty.</u>	<u>Part No.</u>	<u>Description</u>
<input type="checkbox"/>	1	1	206646	Tank (Black)
<input type="checkbox"/>	2	1	200628	Wheel Axle
<input type="checkbox"/>	3	2	226401	Wheel
<input type="checkbox"/>	4	1	908200	Top Pole Section
<input type="checkbox"/>	5	1	908246	Middle Pole Section with Label
<input type="checkbox"/>	6	1	900644	Bottom Pole Section Assembly
<input type="checkbox"/>	7	1	203041	Nut, Hex Flange, 3/8-16
<input type="checkbox"/>	8	1		Net
<input type="checkbox"/>	9	1	201342	Wheel Bracket
<input type="checkbox"/>	10	2	201651	Spacer, Wheel Axle
<input type="checkbox"/>	11	4	203104	Bolt, Hex-Flange 5/16-18 x 2" Long
<input type="checkbox"/>	12	1	206219	Cap
<input type="checkbox"/>	13	1	266001	Bolt, Carriage, 3/8-16 x 1.5 Long
<input type="checkbox"/>	14	1	203617	Tank Cap
<input type="checkbox"/>	15	1	5E2356	Label, Moving System and Height Adjust.
<input type="checkbox"/>	16	2*	203084	Bolt, Carriage, 5/16-18 x 1.75 Long
<input type="checkbox"/>	17	4*	201344	Knob, Plastic, 3-sided
<input type="checkbox"/>	18	1		Rim
<input type="checkbox"/>	19	1	203470	Washer, Flat 5/8 I.D. x 1-1/2 O.D.
<input type="checkbox"/>	20	2	900057	Backboard Mounting Bracket
<input type="checkbox"/>	21	1	203795	Nut, Special 3/8-NC
<input type="checkbox"/>	22	3	203309	Washer, .406 I.D. x 1.0 O.D.
<input type="checkbox"/>	23	2	203053	Bolt, Carriage 5/16-18 x 4
<input type="checkbox"/>	24	2	200837	Board Spacer
<input type="checkbox"/>	25	4*	203100	Nut, Hex Flange, 5/16-18
<input type="checkbox"/>	26	1	900033	Slam Jam Bracket, Black
<input type="checkbox"/>	27	1	203796	Bolt, "Tee" 3/8-NC x 5 Long
<input type="checkbox"/>	28	1	200318	Bracket Reinforcement, Slam Jam
<input type="checkbox"/>	29	1	203472	Spring, Black
<input type="checkbox"/>	30	1		Backboard

* YOU MAY HAVE EXTRA PARTS WITH THIS MODEL.

PARTS IDENTIFIER- Actual Size

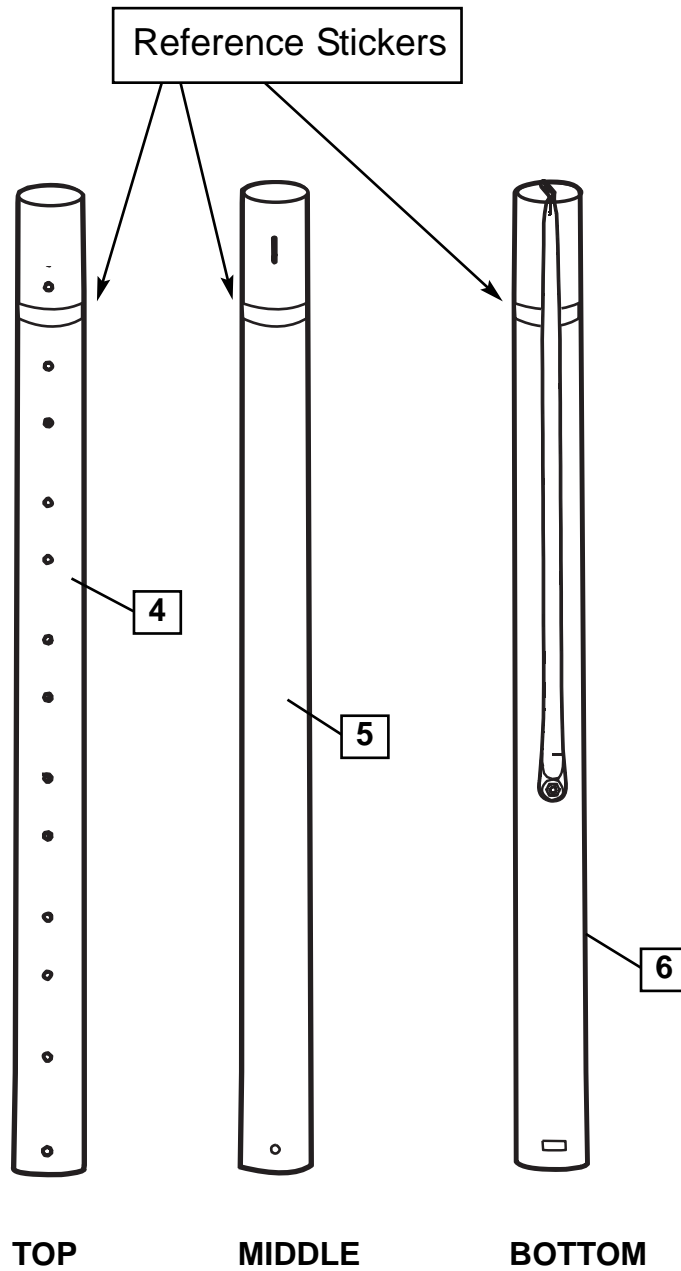


PARTS IDENTIFIER- Not Actual Size



1.

Correctly identify each pole section. Poles have an identification sticker that will be used as a reference point in the next step.



IMPORTANT!

ONCE POLE SECTIONS ARE POUNDED TOGETHER- THEY CANNOT BE TAKEN APART

- 2.** Align poles using *alignment marks*. First, pound top and middle poles together by bouncing them on a scrap piece of wood on the ground as shown in **FIG A.** until they no longer move toward pole identification stickers. **THEN** add bottom pole section and pound together in the same way **FIG B.**

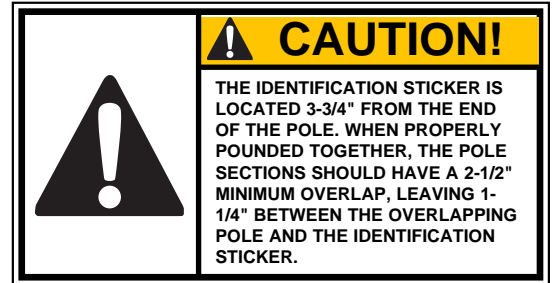
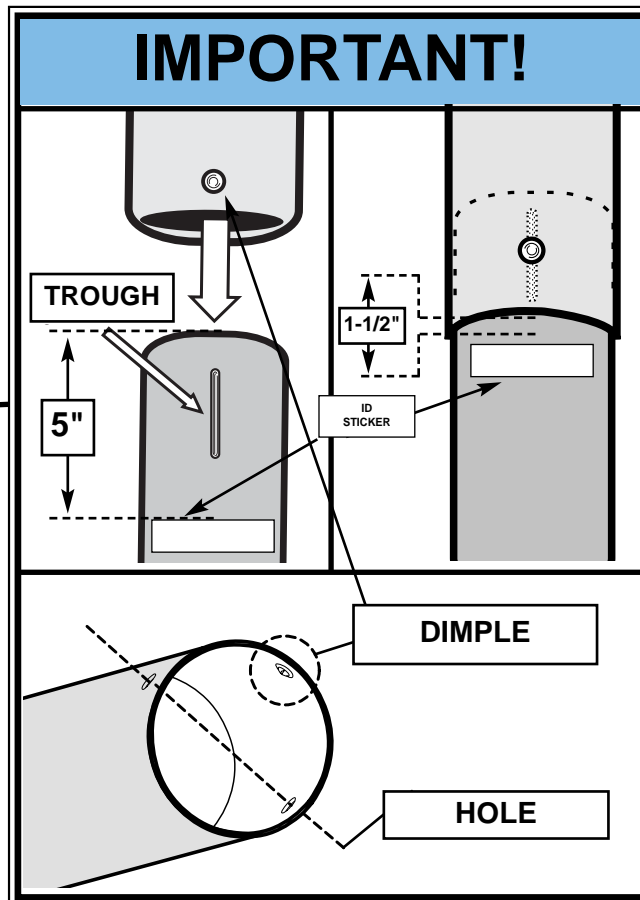
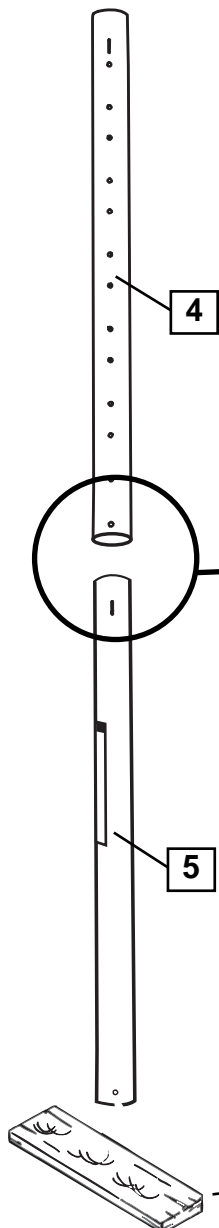
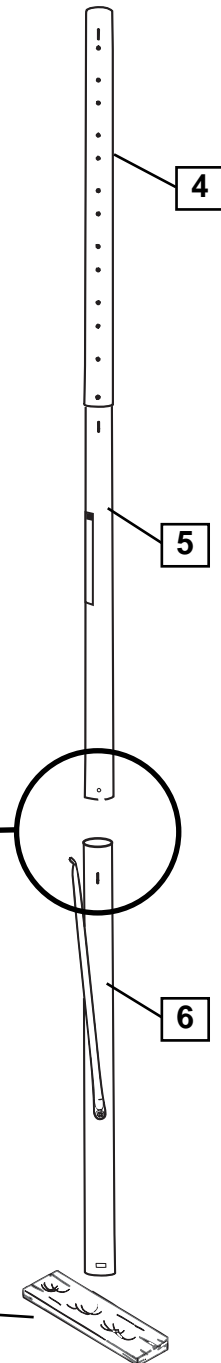


FIG. A.



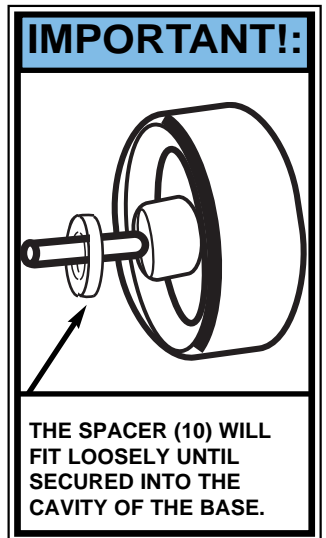
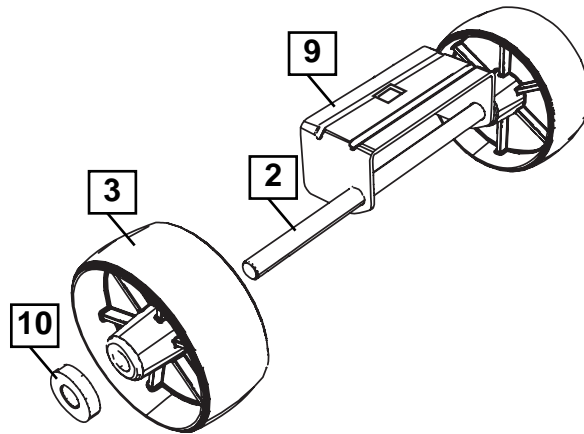
Wood Scrap
(NOT SUPPLIED)

FIG. B.



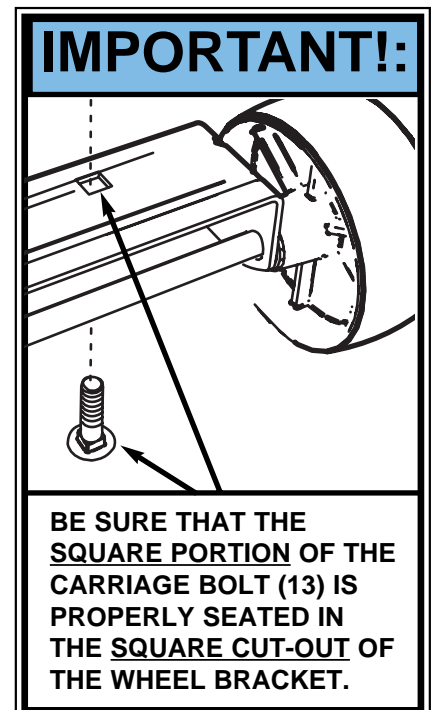
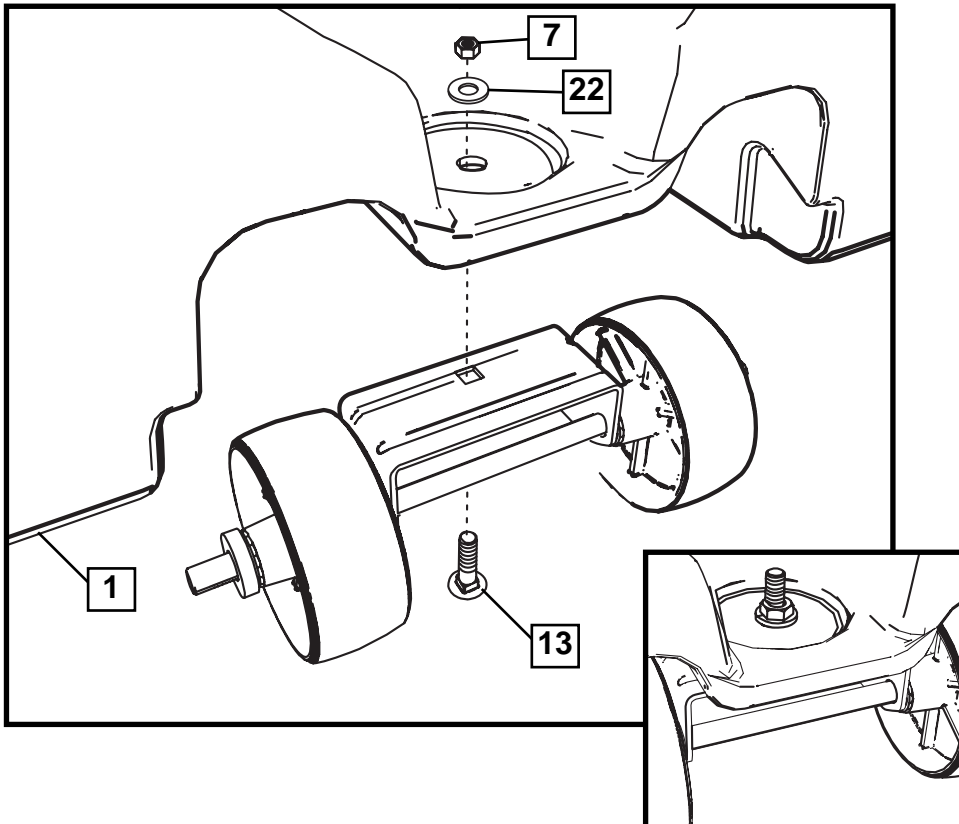
3.

Install wheel axle (2) through wheel bracket (9) and install wheels (3) onto wheel axle (2) with spacers (10) as shown.



4.


Attach wheel carriage assembly to base (1) with bolt (13), washer (22), and nut (7) as shown. FINGER TIGHTEN - NO TOOLS REQUIRED. Assembly will be fully tightened in next step.

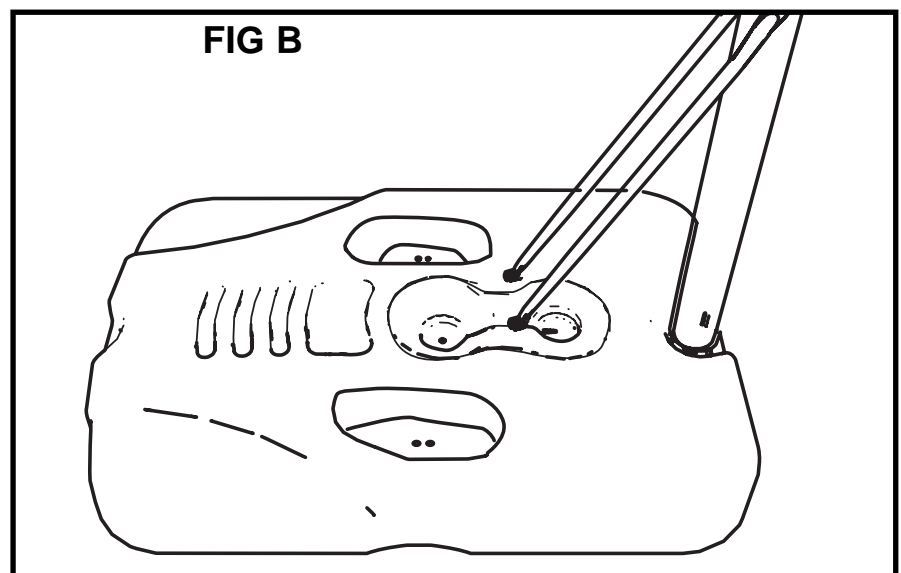
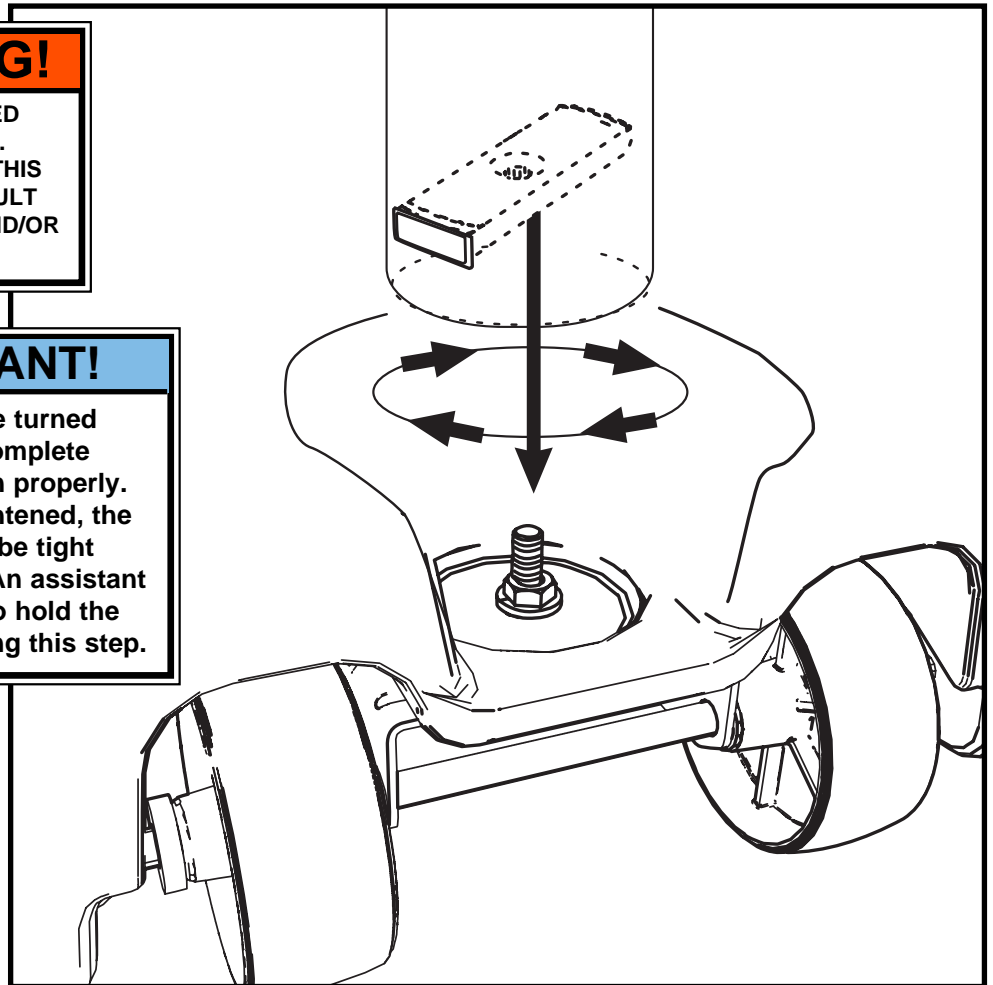


5.

Attach pole assembly to tank assembly as shown. Secure pole assembly to tank and wheel bracket by turning the pole assembly clockwise as shown. Tighten pole completely and further rotate pole until struts are aligned correctly as shown in **FIG B**.

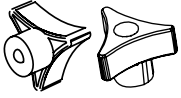
	! WARNING!
	TWO PEOPLE REQUIRED FOR THIS PROCEDURE. FAILURE TO FOLLOW THIS WARNING COULD RESULT IN SERIOUS INJURY AND/OR PROPERTY DAMAGE.

	IMPORTANT!
	The pole should be turned approximately 7 complete rotations to tighten properly. When properly tightened, the wheel bracket will be tight against the base. An assistant is recommended to hold the base in place during this step.



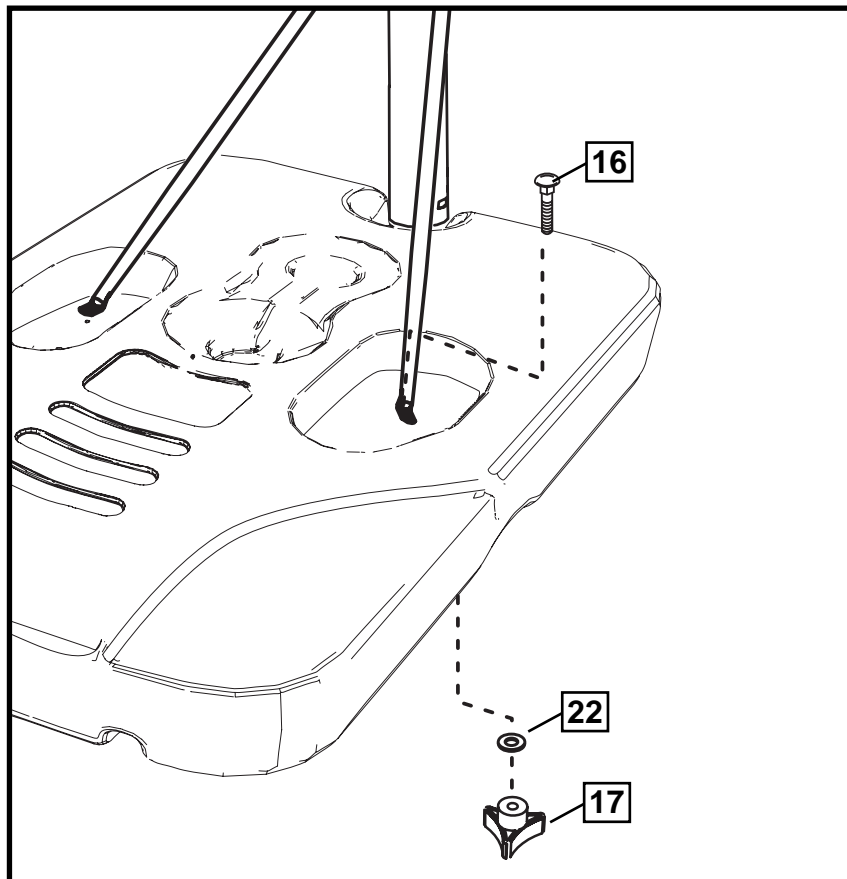
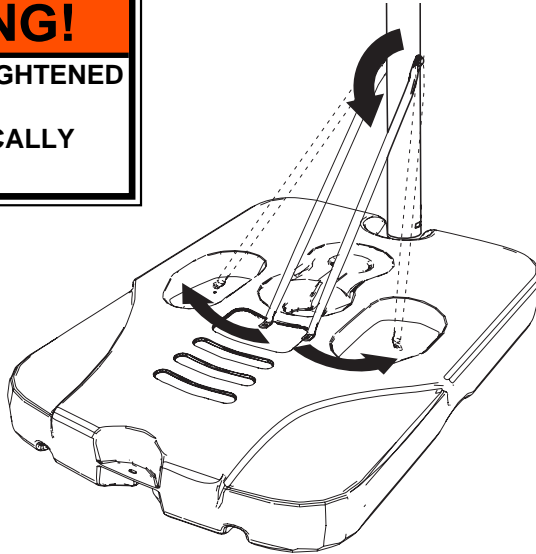
6.

Rotate struts down and bend struts outward to line up with holes on base as shown. Secure free ends of tank struts to tank with carriage bolt (16), washer (22), and knob (17) as shown. Repeat for other side.



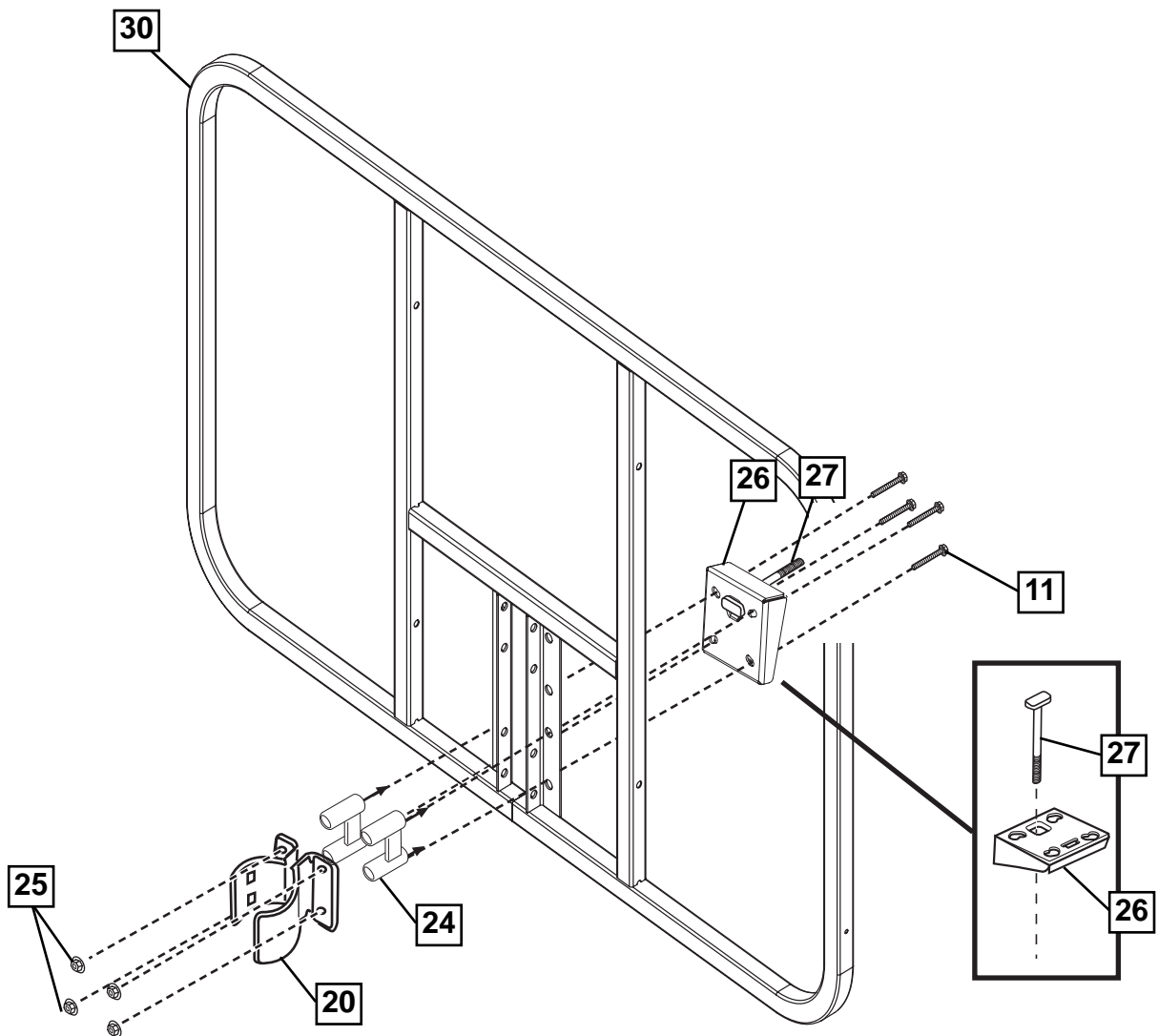
! WARNING!

KNOBS MUST BE TIGHTENED COMPLETELY AND CHECKED PERIODICALLY FOR TIGHTNESS.



7.

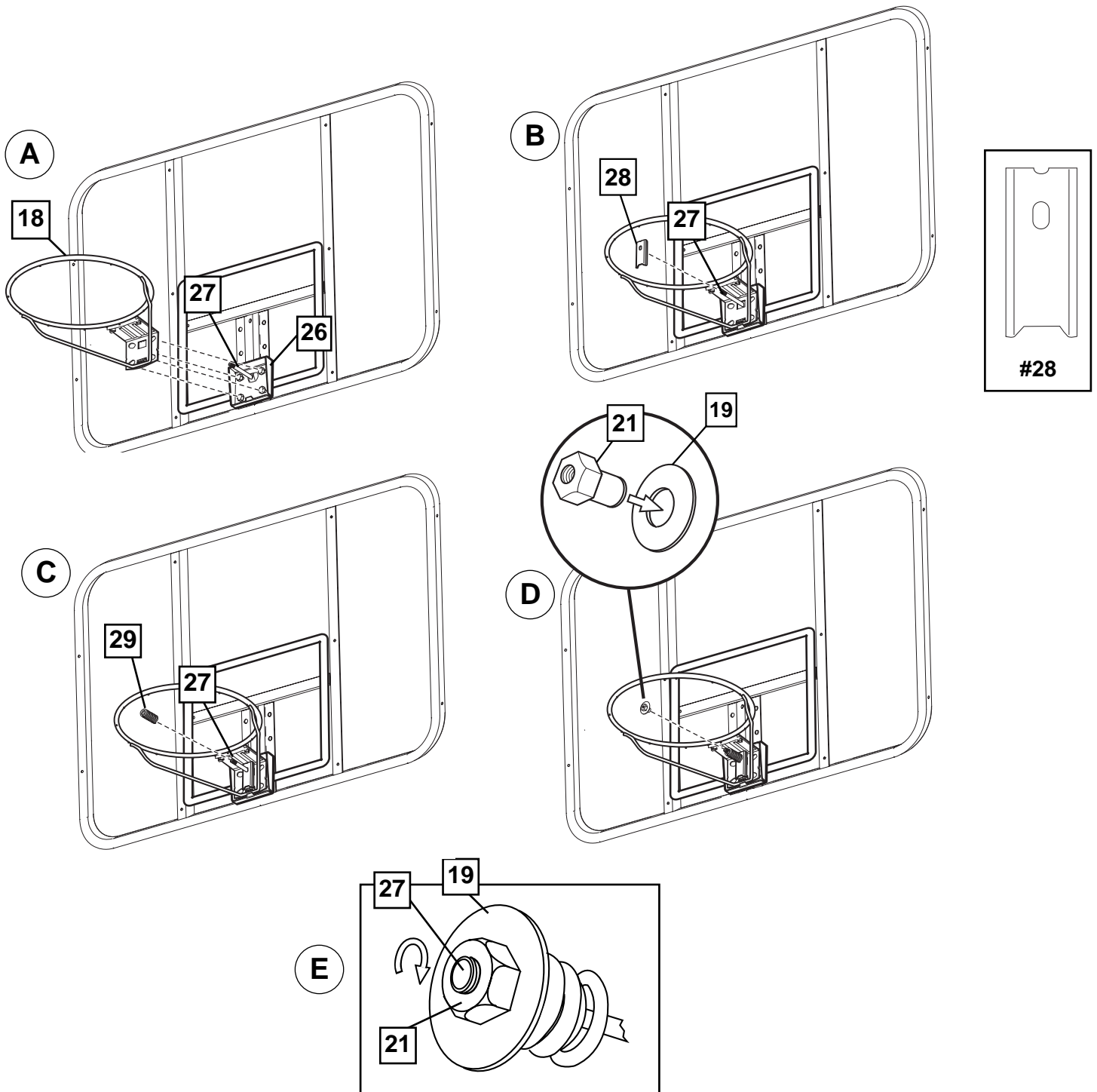
Mount brackets (20 & 26) to backboard and finger tighten as shown.
NOTE: Final adjustments will be made in Step 10.



8.

Install Slam Jam Rim to Backboard

- A • Fit rim (18) securely into bracket (26) as shown (Allow "T"-bolt (27) to slip through center hole in rim (18)).
- B • Install reinforcement bracket (28) onto "T" bolt (27) as shown.
- C • Install spring (29) onto "T" bolt (27) as shown.
- D • Install special nut (21) and washer (19) onto "T" bolt (27).
- E • Tighten nut (21) until flush with end of "T" bolt (27).

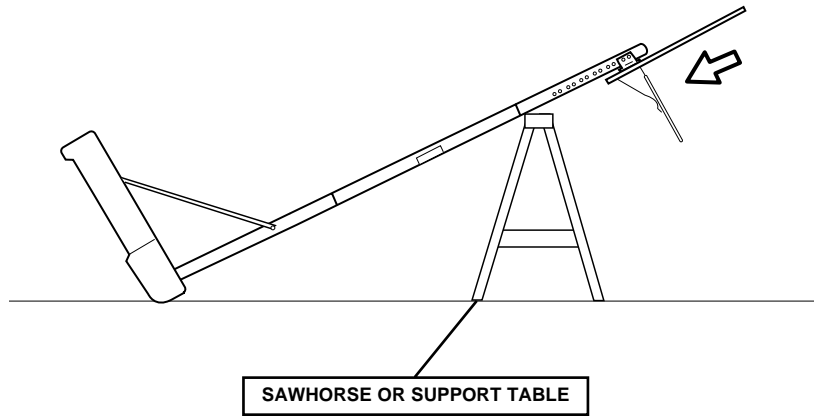


9.

Support pole and tank assembly over support table. Carefully slide backboard components onto pole.

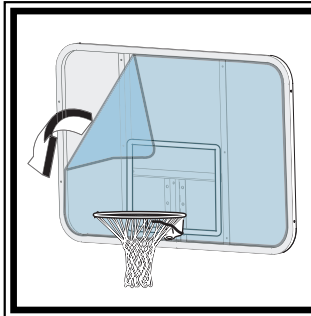
	! WARNING!
	TWO PEOPLE REQUIRED FOR THIS PROCEDURE. FAILURE TO FOLLOW THIS WARNING COULD RESULT IN SERIOUS INJURY AND/OR PROPERTY DAMAGE.

	! WARNING!
	DO NOT LEAVE ASSEMBLY UNATTENDED WHEN EMPTY; IT MAY TIP OVER.



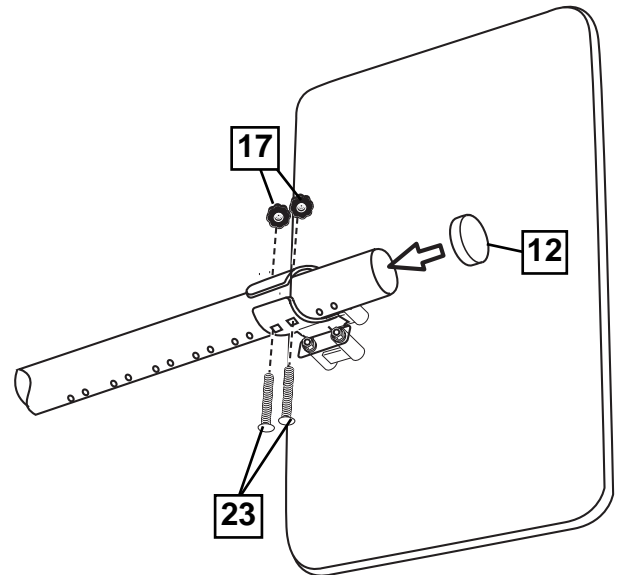
10.

While still in the horizontal position, carefully slide backboard components onto pole. Secure hardware at desired position as shown and tighten all hardware completely at this time.



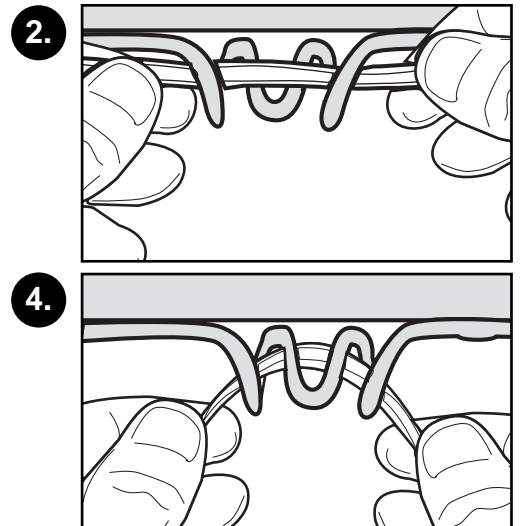
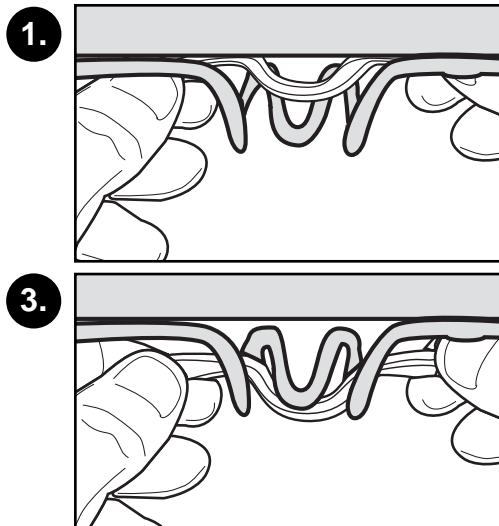
NOTE:

Peel protective film from surface of acrylic backboard prior to use.




11.

Attach net (8).



12. Place assembled unit in desired location. Fill tank with water (26 gallons/98.4 liters) or sand (approx. 360 lb./163 kg) and snap tank cap (14) in place.



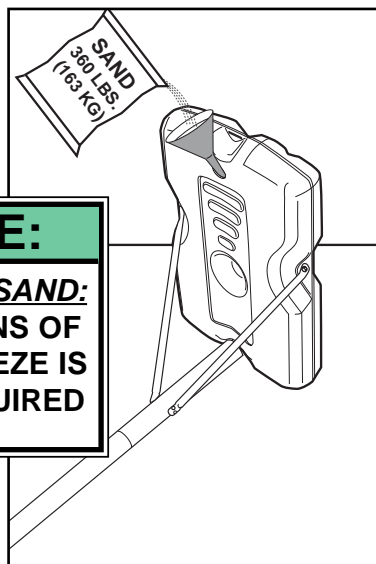
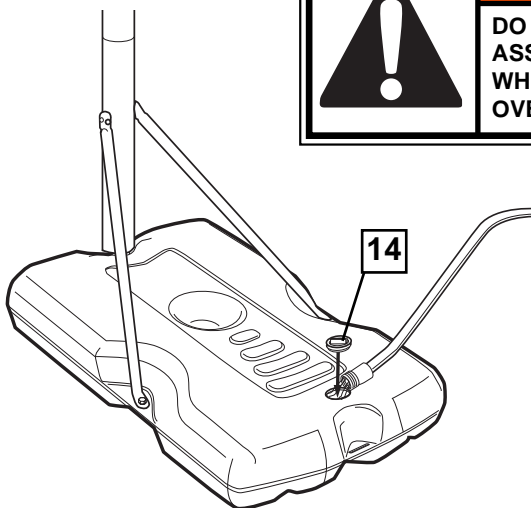

CAUTION!
ADD TWO GALLONS (7.6 LITERS) OF NON-TOXIC ANTIFREEZE IN SUB-FREEZING CLIMATES.



WARNING!
TWO PEOPLE REQUIRED FOR THIS PROCEDURE. FAILURE TO FOLLOW THIS WARNING COULD RESULT IN SERIOUS INJURY AND/OR PROPERTY DAMAGE.



WARNING!
DO NOT LEAVE ASSEMBLY UNATTENDED WHEN EMPTY; IT MAY TIP OVER.

NOTE:
IF USING SAND:
2 GALLONS OF ANTI-FREEZE IS NOT REQUIRED

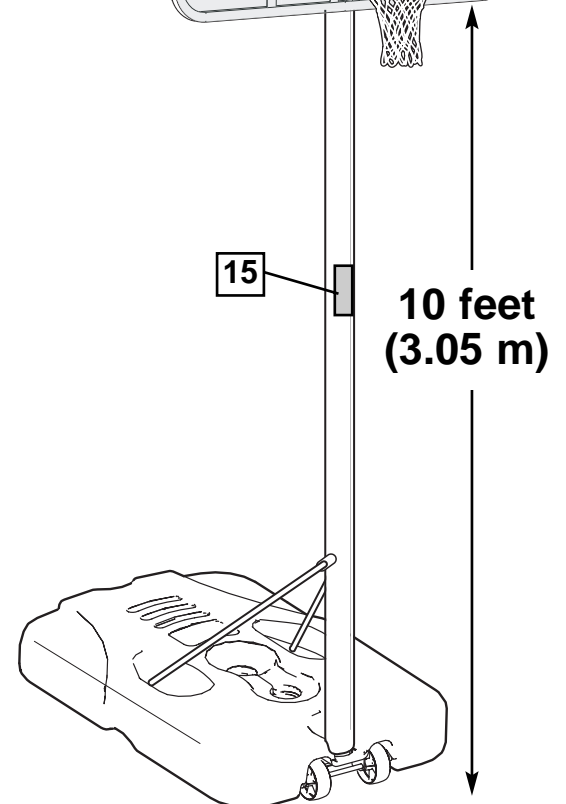
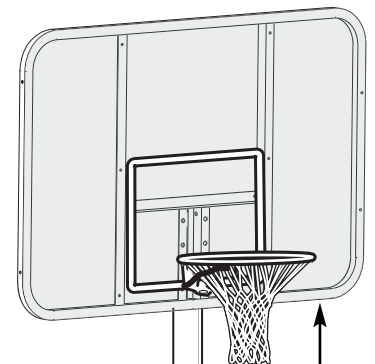
13. Attach height and moving label (15) to front of pole as shown. Regulation rim height is 10 feet.

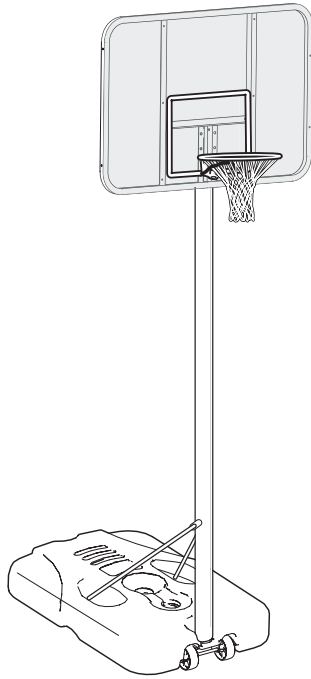


CAUTION!
HEIGHT AND MOVING LABEL MUST NOT OBSTRUCT FACTORY ATTACHED WARNING LABEL.



WARNING!
DO NOT ALLOW CHILDREN TO ADJUST HEIGHT.





HUFFY[®]SPORTS

UNE DIVISION DE LA RUSSELL CORPORATION
EINE ABTEILUNG DER RUSSELL CORPORATION
UNA DIVISIÓN DE RUSSELL CORPORATION

Système portable - Manuel de l'utilisateur

Service clientèle

• N53 W24700 South Corporate Circle • Sussex, WI 53089 • É.-U.

Gebrauchsanleitung für tragbare Systeme

Kundendienstzentrale

• N53 W24700 South Corporate Circle • Sussex, WI 53089 • U.S.A.

Manual del Propietario del Sistema Portátil

Centro de Servicio al Cliente

• N53 W24700 South Corporate Circle • Sussex, WI 53089 • EE.UU.



**AVERTISSEMENT !
WARNUNG!
¡ADVERTENCIA!**

LISEZ CE MANUEL D'UTILISATION AVANT D'UTILISER CET APPAREIL

SOUS PEINE DE BLESSURES OU DE DÉGÂTS MATÉRIELS.

DAS BENUTZERHANDBUCH VOR GEBRAUCH DIESES PRODUKTS SORGFÄLTIG DURCHLESEN.

EIN MISSACHTEN DIESER BETRIEBSANLEITUNG KANN VERLETZUNGEN ODER SACHSCHÄDEN ZUR FOLGE HABEN.

LEA Y ENTIENDA EL MANUAL DEL OPERADOR ANTES DE USAR ESTA UNIDAD.

SI NO SE SIGUEN LAS INSTRUCCIONES DE OPERACIÓN SE PODRÍA OCASIONAR UNA LESIÓN O DAÑOS A LA PROPIEDAD.

Inscrivez ici le numéro de modèle qui apparaît sur la boîte:










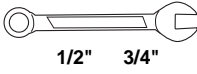
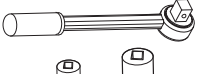
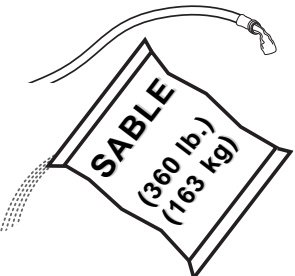
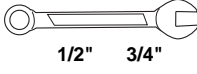
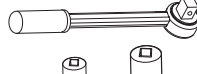

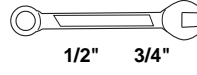
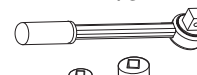
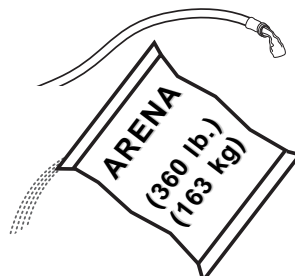
Die Modellnummer vom Verpackungskarton hier eintragen:

Escriba aquí el número de modelo que viene en la caja:

Numéro vert du Service clientèle - États-Unis : 1-800-558-5234, Canada : 1-800-284-8339,
Europe : 00 800 555 85234 (Suède : 009 555 85234), Australie : 1-800-632 7921 Adresse Internet : <http://www.huffysports.com>

Gebührenfreie Telefonnummer für die USA: 1-800-558-5234, für Kanada: 1-800-284-8339, für Europa: 00 800 555 85234
(Schweden: 009 555 85234), für Australien: 1-800-632 7921 Internet-Adresse: <http://www.huffysports.com>

Número telefónico sin costo del Departamento de Servicio al Cliente en EE.UU.: 1-800-558-5234,
Para Canadá: 1-800-284-8339, Para Europa: 00 800 555 85234 (Suecia: 009 555 85234), Para Australia: 1-800-632 7921
Dirección en Internet: <http://www.huffysports.com>

OUTILS ET MATÉRIEL REQUIS:	BENÖTIGTE WERKZEUGE UND MATERIALIEN:	HERRAMIENTAS Y MATERIALES REQUERIDOS:
 <ul style="list-style-type: none"> • Deux personnes  <ul style="list-style-type: none"> • Planche en bois (chute)  <ul style="list-style-type: none"> • Chevalet de sciage ou table 	 <ul style="list-style-type: none"> • 2 Personen  <ul style="list-style-type: none"> • Holzstück (Ausschuß)  <ul style="list-style-type: none"> • Sägebock oder Stütztisch 	 <ul style="list-style-type: none"> • 2 personas  <ul style="list-style-type: none"> • Tabla de madera (un trozo)  <ul style="list-style-type: none"> • Caballete o mesa de apoyo
<ul style="list-style-type: none"> • Deux clés et/ou clés à douilles et deux douilles (douilles longues recommandées).  <p>1/2" 3/4"</p> <p>ET/OU</p>  <p>1/2" 3/4"</p> <ul style="list-style-type: none"> • Tuyau d'arrosage ou sable  <p>SABLE (360 lb.) (163 kg)</p>	<ul style="list-style-type: none"> • (je 2) Schrauben - und/oder Steckschlüssel (tiefe Einsätze empfohlen).  <p>1/2" 3/4"</p> <p>UND/ODER</p>  <p>1/2" 3/4"</p> <ul style="list-style-type: none"> • Gartenschlauch oder Sand  <p>SAND (360 lb.) (163 kg)</p>	<ul style="list-style-type: none"> • (2 de cada una) llaves de tuercas y/o llaves de tuercas de boca tubular y casquillos (se recomiendan casquillos profundos).  <p>1/2" 3/4"</p> <p>Y/O</p>  <p>1/2" 3/4"</p> <ul style="list-style-type: none"> • Manguera de jardín o arena  <p>ARENA (360 lb.) (163 kg)</p>

AVERTISSEMENT

Lisez les avertissements indiqués ci-dessous avant d'utiliser ce produit. sous peine d'encourir des blessures graves et/ou des dégâts matériels.

Le propriétaire doit s'assurer que tous les joueurs connaissent et suivent ces règles d'utilisation sûre du système.

- **NE VOUS SUSPENDEZ PAS** sur le cerceau ou sur une autre partie du système, y compris le panneau, les supports ou le filet.
- Durant le jeu, en particulier lorsque vous faites un smash, gardez le visage à l'écart du panneau, du cerceau et du filet. Risque de blessures graves si les dents ou le visage viennent heurter le panneau, le cerceau ou le filet.
- Ne glissez et ne montez pas sur le socle et/ou le poteau, ne les secouez pas et ne jouez pas dessus.
- Une fois le montage terminé, remplissez complètement le système d'eau ou de sable. Ne laissez jamais le système à la verticale sans lester le socle, car le système risque de basculer et de causer des blessures.
- Lorsque vous réglez la hauteur ou que vous déplacez le système, gardez les mains et les doigts à l'écart des pièces en mouvement.
- Interdisez aux enfants de déplacer ou de régler le système.
- Avant le jeu, retirez vos bijoux (bagues, montres, colliers, etc.). Ces objets peuvent se prendre dans le filet.
- La surface située sous le socle doit être lisse, sans gravier ou autres objets coupants. Les perforations causent des fuites et risquent de faire basculer le système.

- Maintenez les substances organiques à l'écart du socle du poteau. L'herbe, les ordures, etc. risquent de causer la corrosion et/ou la détérioration du système.
- Vérifiez l'état du système (signes de corrosion comme rouille, piqûres, écaillage) et repeignez avec de la peinture émail pour extérieur. Si de la rouille a piqué l'acier en tout point, remplacez immédiatement le poteau.
- Vérifiez le système avant chaque utilisation (lest, visserie mal serrée, usure excessive et signes de corrosion) et réparez avant utilisation.
- Vérifiez la stabilité du système avant chaque utilisation.
- N'utilisez pas le système les jours de vent fort et/ou de tempête : le système risque de se renverser. Placez le système dans sa position de stockage et/ou dans un lieu protégé du vent et loin de biens personnels et/ou câbles suspendus.

- Ne jouez jamais sur du matériel abîmé.
- Lorsque vous déplacez le système, soyez prudent pour empêcher le mécanisme de se déséquilibrer.
- Maintenez le poteau bouché à tout moment.
- Ne laissez pas geler l'eau du socle. Par moins de 0 degré Celsius, ajoutez 5 litres d'antigel non toxique ou du sable, ou bien videz complètement et stockez. (N'utilisez pas de sel.)
- Durant le déplacement du système, personne ne doit se tenir debout ou assis sur son socle, ni surier le socle.
- Ne laissez pas le système sans supervision et ne jouez pas sur le système lorsque les roues se sont enclenchées pour le déplacement.
- Soyez prudent lorsque vous déplacez le système sur des surfaces irrégulières, car il risque de basculer.
- Soyez extrêmement prudent si vous placez le système sur une déclivité. Il risque de se renverser plus facilement.
- Pour les instructions d'installation et d'entretien, reportez-vous au guide fourni.

ACHTUNG

Vor Gebrauch dieses Produkts die nachstehenden Warnhinweise lesen und beachten.

Ein Missachten dieser Warnung kann zu schweren Verletzungen und/oder Sachschäden führen.

Der Eigentümer muss sicherstellen, dass alle Spieler diese Regeln für einen sicheren Betrieb des Systems kennen und befolgen.

- **NICHT** am Korbrand oder irgendeinem anderen Teil des Systems, einschli. Korbrand, Stützstreben oder Netz HANGEN.
- Während des Spielbetriebs, besonders bei Slam-Dunk-Mandvorn, müssen die Spieler ihr Gesicht von Korbrand, Korbrand und Netz fern halten. Der Kontakt von Zähnen/Gesicht mit der Korbrand, dem Korbrand oder dem Netz kann schwere Verletzungen zur Folge haben.
- Nicht auf dem Sockel und/oder der Stange herumrutschen, klettern, daran ritteln oder damit spielen.
- Nach dem Zusammenbau des System ganz mit Wasser oder Sand füllen. Das System niemals in aufrechter Position stehen lassen, ohne den Sockel zu beschweren, da es andernfalls umkippen und Verletzungen verursachen kann.

- Beim Einstellen der Höhe oder beim Transport des Systems Hände und Finger von beweglichen Teilen fern halten.
- Kindern darf das Verschieben oder Einstellen des Systems nicht gestattet werden.

- Beim Spielen keinen Schmuck (Ringe, Armbänder, Halsketten usw.) tragen. Gegenstände dieser Art können sich im Netz verfangen.
- Die Oberfläche unter dem Sockel muss glatt und frei von Kies oder anderen scharfkantigen Gegenständen sein. Löcher verursachen Lecks und können ein Umkippen des Systems zur Folge haben.
- Organische Materialien vom Stangensockel fern halten. Gras, Abfälle usw. können Korrosion und/oder Abbaureisnungen verursachen.
- Das Stangensystem auf Anzeichen von Korrosion (Rost, Narbenbildung, Abblättern) untersuchen und mit Emailaußenfarbe neu lackieren. Wenn sich an irgendeiner Stelle Rost durch den Stahl hindurch gefressen hat, muss die Stange sofort ersetzt werden.
- Das System vor jeder Benutzung auf den richtigen Ballast, lose Befestigungsteile, übermäßige Abnutzungseinscheinungen und Anzeichen von Korrosion untersuchen; vor jedem Einsatz entsprechende Korrekturmaßnahmen bzw. Reparaturen durchführen.
- Die Stabilität des Systems vor jedem Gebrauch überprüfen.

- Das System nicht bei windigen und/oder unwirtlichen Witterungsverhältnissen benutzen, da es unter diesen Umständen umkippen kann. Das System in seine Lagerposition versetzen und/oder in einen windgeschützten Bereich bringen, in dem sich weder Sachwerte noch oberirdische Kabel befinden.

- Niemals an bzw. mit einer beschädigten Ausrüstung spielen.
- Beim Transport des Systems darauf achten, dass sich der Mechanismus nicht verschiebt.
- Das obere Stangenelement muss jederzeit mit einer Kappe abgedeckt sein.
- Das Wasser im Tank darf keinesfalls gefrieren. Bei Gefrieremperaturen den Tank mit 7,5 l eines ungiftigen Gefrierschutzmittels oder Sand füllen oder ihn völlig entleeren und lagern. (Kein Salz verwenden.)
- Beim Verschieben des Systems darf niemand auf dem Sockel stehen oder sitzen oder diesen mit zusätzlichem Ballast beschwert haben.
- Das System nicht unbefaufsichtigt lassen oder damit spielen, wenn die Räder zum Transport eingesteckt sind.
- Beim Transport des Geräts über unebene Flächen vorsichtig vorgehen.
- Das System kann umkippen.
- Beim Anstellen des Systems auf einer geneigten Fläche mit großer Leichter umkippen. Das System kann unter diesen Bedingungen Gebrauchshandbuch zu entnehmen.

ADVERTENCIA

Lea y entienda las advertencias que se encuentran a continuación antes de usar este producto.

Si no se observan estas advertencias se podrían causar lesiones graves y/o daños materiales.

El propietario debe asegurarse de que todos los jugadores conozcan y obedezcan estas reglas para la operación segura del sistema.

- **NO SE CUELQUE** del borde ni de ninguna parte del sistema, inclusive el respaldo, las abrazaderas de apoyo y la red.
- Durante el juego, especialmente cuando se realizan actividades de tipo clavada (dunk), el jugador debe mantener la cara alejada del respaldo, el borde y la red. Si los dientes o la cara entran en contacto con el respaldo, el borde o la red, se puede sufrir una lesión grave.
- No se deslice, suba, sacuda ni juegue en la base y/o en poste.
- Cuando complete el montaje, llene completamente el sistema con agua o arena. Nunca deje el sistema en posición vertical sin llenar la base con un peso, ya que el sistema se podría caer y causar lesiones.

- Al ajustar la altura o mover el sistema mantenga las manos y los dedos alejados de las partes móviles.
- No permita que los niños muevan o ajusten el sistema.
- Durante el juego, no use joyería (anillos, relojes, collares, etc.). Estos objetos se podrían atorar en la red.

- La superficie debajo de la base se debe mantener lisa y sin grava ni otros objetos floosos. Las perforaciones pueden causar fugas y provocar que el sistema se caiga.

- Mantenga los materiales orgánicos alejados de la base del poste. El césped, la basura, etc. podrían causar corrosión y/o deterioro de la base del poste.

- Revise que el sistema del poste no tenga señales de corrosión (oxidación, picaduras, descomchaduras) y si las tiene vuelva a pintar con pintura de esmalte para exteriores. Si la corrosión penetra a través del acero en cualquier área, reemplace inmediatamente el poste.

- Antes de cada uso revise el sistema para verificar que esté adecuadamente equilibrado, que no tenga herraje suelto, desgaste excesivo ni signos de corrosión, y repárelo si es necesario.
- Verifique la estabilidad del sistema antes de cada uso.

- **NO** use el sistema durante condiciones climáticas severas y/o con mucho viento, ya que el sistema se podría caer. Coloque el sistema en posición de almacenamiento y/o en un área protegida del viento y sin propiedad personal y/o cables suspendidos.

- Nunca juegue en equipo dañado.
- Cuando mueva el sistema, tenga cuidado para evitar que el mecanismo cambie de lugar.

- Siempre mantenga la parte superior del poste cubierta con la tapa.
- No permita que el agua del tanque se congele. En clima con temperaturas de congelamiento añada dos galones de anticongelante no tóxico, arena, o vacíe completamente el tanque y almacénelo. (No use sal.)

- Al mover el sistema no permita que nadie se pare o sienta en la base o añada lastre adicional en la base.

- No deje el sistema sin supervisión ni juegue en el sistema cuando las ruedas estén embargadas para rodar.
- Tenga cuidado al mover el sistema sobre superficies irregulares. El sistema se podría ladear.

- Use extremado cuidado si va a colocar el sistema en una superficie inclinada. El sistema se podría caer más fácilmente.
- Consulte el manual de instrucciones para ver la instalación y el mantenimiento adecuados.

SPALDING
Aut. Emb. USA: 1-800-772-3349

HYDRA-RIB
Int.Emb.USA: 1-800-334-9111

RUSSELL
ATHLETIC

SURE SHOT
Aut. Emb. USA: 1-888-713-5488

HUFFY SPORTS
Int.Emb.USA: 1-800-334-9111
Aut.Emb.USA: 1-800-334-9111

SPALDING
Aut.Emb.USA: 1-800-772-3349

HYDRA-RIB
Int.Emb.USA: 1-800-334-9111

RUSSELL
ATHLETIC

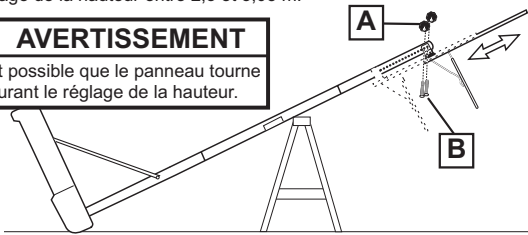
SURE SHOT
Aut.Emb.USA: 1-888-713-5488

HUFFY SPORTS
Int.Emb.USA: 1-800-334-9111
Aut.Emb.USA: 1-800-334-9111

RÉGLAGE DE LA HAUTEUR

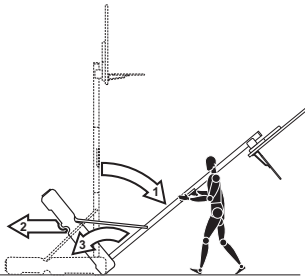
Posez l'ensemble sur une table. Retirez les boutons de réglage (A) et les boulons ordinaires (B) pour allonger ou rétracter le panneau et le cerceau. Réglage de la hauteur entre 2,3 et 3,05 m.

AVERTISSEMENT
Il est possible que le panneau tourne durant le réglage de la hauteur.



AVERTISSEMENT
Ne réglez pas la hauteur avec le système à la verticale.
Pour cette opération, le système doit être allongé.

DÉPLACEMENT DU SYSTÈME



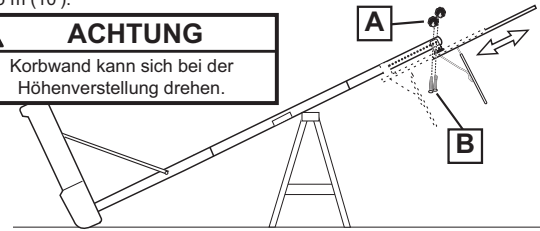
1. Tout en tenant le poteau, tournez le système de basket-ball vers l'avant jusqu'à ce que les roues touchent le sol.
2. Amenez le système de basket-ball à l'emplacement désiré.
3. Redressez avec précaution le système de basket-ball.
4. Vérifiez la stabilité du système.

FR5E2356 05/05

HÖHENEINSTELLUNG

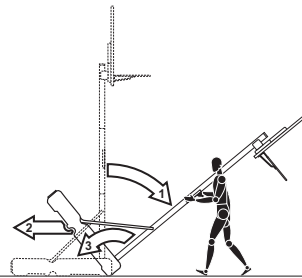
Die Vorrichtung auf einem Stütztisch ablegen. Die Einstellknopfregler (A) und Schlossschrauben (B) entfernen, um Korbwand und Korbrand zu verlängern oder zu verkürzen. Höhenverstellung zwischen 2,3 m (7,5') und 3,05 m (10').

ACHTUNG
Korbwand kann sich bei der Höhenverstellung drehen.



ACHTUNG
Die Höhe nicht bei aufrecht stehendem System einstellen. Das System muss für die Höhenverstellung auf dem Boden liegen.

TRANSPORTSYSTEM



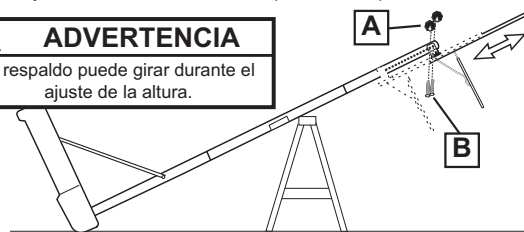
1. Die Stange festhalten; zur selben Zeit das Basketballsystem nach vorne drehen, bis die Räder den Boden berühren.
2. Das Basketballsystem an den gewünschten Ort fahren.
3. Das Basketballsystem vorsichtig in die aufrechte Position drehen.
4. Die Stabilität des Systems überprüfen.

GE5E2356 05/05

AJUSTE DE LA ALTURA

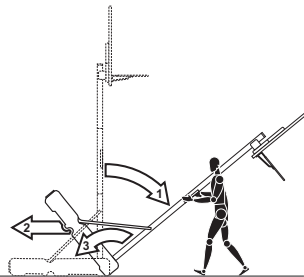
Coloque la unidad sobre la mesa de apoyo. Retire las perillas de ajuste (A) y los pernos cabeza de carro (B) para extender o retraer el respaldo y el borde. Ajuste de la altura de 7.5 a 10' (2.3 a 3.05 m).

ADVERTENCIA
El respaldo puede girar durante el ajuste de la altura.



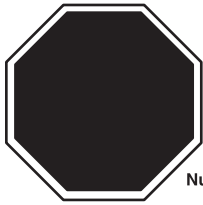
ADVERTENCIA
No ajuste la altura del sistema mientras se encuentre en posición vertical. El sistema debe estar en posición horizontal para ajustarlo.

MOVIMIENTO DEL SISTEMA



1. Mientras sujeta el poste, gire hacia adelante el sistema de baloncesto hasta que las ruedas toquen el piso.
2. Mueva el sistema de baloncesto a la ubicación deseada.
3. Gire cuidadosamente el sistema de baloncesto hasta que quede en posición vertical.
4. Revise la estabilidad del sistema.

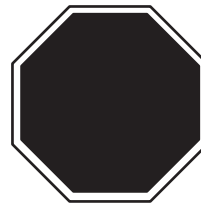
SP5E2356 05/05



IMPORTANT!

En cas de questions...
pas besoin de retourner au magasin!

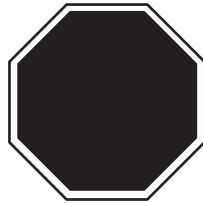
Etats-Unis et Canada uniquement: 1-800-284-8339
Numéro vert international (France, Suisse) : 00 800 555 85234



WICHTIG!

Huffy steht zur Qualität seiner Produkte!

(Deutschland, Schweiz): 00 800 555 85234



¡IMPORTANTE!

¡Usted es importante para Huffy!

00 800 555 85234

AVIS AUX PERSONNES CHARGÉES DU MONTAGE

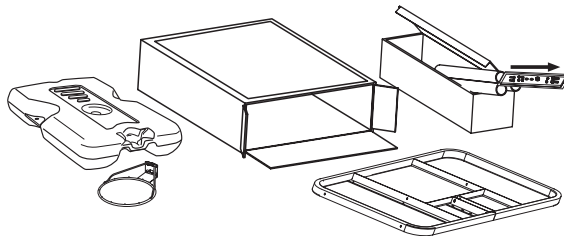
TOUS les systèmes de basket-ball Huffy Sports, y compris ceux utilisés en EXPOSITION, DOIVENT être assemblés et lestés de sable ou d'eau, selon les instructions. Suivez ces instructions sous peine d'encourir des BLESSURES GRAVES. Il est INACCEPTABLE de composer un système de lestage de fortune.

HINWEIS FÜR DIE PERSONEN, DIE DEN ZUSAMMENBAU DURCHFÜHREN

ALLE Basketballsysteme von Huffy Sports, einschließlich der zu Demonstrationszwecken benutzten Systeme, müssen gemäß der Montageanleitung zusammengebaut und mit Sand oder Wasser beschwert werden. Ein Missachten dieser Anleitung kann SCHWERE VERLETZUNGEN zur Folge haben. Zum Beschweren darf NICHT zu irgendwelchen Notbehelfsmaßnahmen gegriffen werden.

AVISO PARA LAS PERSONAS QUE REALIZAN EL MONTAJE

TODOS los sistemas de baloncesto de Huffy Sports, inclusive los usados para EXHIBICIÓN, DEBEN estar montados y equilibrados con arena o agua, de acuerdo con las instrucciones. Si se ignoran estas instrucciones se podría ocasionar una LESIÓN GRAVE. NO es aceptable improvisar un sistema de pesas provisional.



IMPORTANT!

Videz entièrement les boîtes.

Veillez à vérifier l'intérieur des sections de poteau.

La quincaillerie et des pièces supplémentaires sont emballées à l'intérieur.

WICHTIG!

Die Kartons vollständig auspacken.

Den Hohlraum in den Stangenteilen inspizieren.

Dort sind Befestigungs- und andere Kleinteile verpackt.

¡IMPORTANTE!

Saque todo el contenido de las cajas.

Asegúrese de revisar el interior de las secciones del poste.

Ahí se han empacado herraje y piezas adicionales.

CARTE DE GARANTIE:

N'oubliez pas de remplir la carte d'enregistrement de votre produit en ligne à :

www.huffysports.com/warrantycard or mail-in the enclosed postcard.

GARANTIEKARTE:

Bitte nicht vergessen, das Produktregistrierungsformular online unter der Adresse

www.huffysports.com/warrantycard auszufüllen oder die beiliegende Postkarte einzusenden.

TARJETA DE GARANTÍA:

Por favor recuerde completar su formulario de registro del producto, ya sea en línea en:

www.huffysports.com/warrantycard o por correo en la tarjeta postal adjunta.

⚠️ CONSIGNES DE SÉCURITÉ ! ⚠️

SUIVEZ CES CONSIGNES DE SÉCURITÉ SOUS PEINE DE PROVOQUER DES BLESSURES GRAVES, DES DÉGÂTS MATÉRIELS ET L'ANNULATION DE LA GARANTIE.

Le propriétaire doit s'assurer que tous les joueurs connaissent et suivent ces règles d'utilisation sûre du système.

Par mesure de sécurité, n'essayez pas de monter ce système sans suivre scrupuleusement les instructions. Un montage, une utilisation et une supervision corrects et complets sont indispensables à un bon fonctionnement et à la réduction des risques d'accident ou de blessure. Des blessures graves sont très probables si le système n'est pas installé, entretenu et utilisé correctement.

- Si vous utilisez une échelle en cours de montage, soyez extrêmement prudent.
- Vérifiez régulièrement le socle pour vous assurer qu'il ne fuit pas. Les petites fuites risquent d'entraîner le basculement intempestif du système.
- Emboîtez correctement les sections de poteau (le cas échéant). Elles risquent sinon de se déboîter en cours de jeu et/ou de transport du système.
- Les conditions climatiques, la corrosion ou une mauvaise utilisation risquent de provoquer la panne du système.
- Pour toute assistance technique, contactez Huffy Sports.
- La hauteur minimale d'utilisation est de 1,98 (6' 6") m jusqu'à la base du panneau.

La plupart des blessures sont causées par une mauvaise utilisation et/ou le non-respect des instructions. Soyez prudent lorsque vous utilisez ce système.

⚠️ SICHERHEITSHINWEISE ⚠️

EIN MISSACHTEN DIESER SICHERHEITSHINWEISE KANN ZU SCHWEREN VERLETZUNGEN UND/ODER SACHSCHÄDEN FÜHREN UND MACHT DIE GARANTIE UNWIRKSAM..

Der Eigentümer muss sicherstellen, dass alle Spieler diese Regeln für einen sicheren Betrieb des Systems kennen und befolgen.

Aus Sicherheitsgründen darf dieses System nur unter sorgfältiger Beachtung der Anleitung zusammengebaut werden. Eine ordnungsgemäße und vollständige Montage, Verwendung und Aufsicht ist für den richtigen Betrieb und zur Reduzierung des Unfall- oder Verletzungsrisikos absolut erforderlich. Bei einer unsachgemäßen Installation und Wartung und bei einem falschen Betrieb dieses Systems besteht ein hohes Risiko schwerer Verletzungen.

- Beim Gebrauch einer Leiter während des Zusammenbaus extrem vorsichtig vorgehen.
- Den Sockel regelmäßig auf Leckstellen untersuchen. Langsam austretende Füllmittel können ein unerwartetes Umkippen des Systems verursachen.
- Die einzelnen Stangenteile richtig zusammenfügen (falls anwendbar). Andernfalls können sich die Stangenteile beim Spielbetrieb und/oder während des Transports des Systems voneinander lösen.
- Klimatische Bedingungen, Korrosion oder Fehlgebrauch kann zu Systemdefekten führen.
- Technische Unterstützung kann direkt von Huffy Sports angefordert werden.
- Die Mindestspielhöhe beträgt 1,98m (6,6 Fuß) bis zur Unterkante der Korbwand.

Die meisten Verletzungen werden durch einen Fehlgebrauch bzw. ein Missachten der Anleitungen verursacht. Bei der Verwendung dieses Geräts vorsichtig vorgehen.

⚠️ ¡INSTRUCCIONES DE SEGURIDAD! ⚠️

EL INCUMPLIMIENTO DE ESTAS INSTRUCCIONES DE SEGURIDAD PUEDE DAR COMO RESULTADO LESIONES GRAVES, DAÑOS MATERIALES Y ANULARÁ LA GARANTÍA..

El propietario debe asegurarse de que todos los jugadores conozcan y obedezcan estas reglas para la operación segura del sistema.

Por su seguridad, no intente montar este sistema sin seguir cuidadosamente las instrucciones. Es esencial el montaje completo, y el uso y la supervisión adecuados para la operación correcta del sistema y para reducir el riesgo de accidentes o lesiones. Existe una alta probabilidad de sufrir lesiones graves si este sistema no se instala, mantiene y opera adecuadamente.

- Si utiliza una escalera de mano durante el montaje, tenga mucho cuidado.
- Revise regularmente la base para detectar fugas. Las fugas lentas podrían causar que el sistema se cayera inesperadamente
- Asiente correctamente las secciones del poste (si aplica). Si no lo hace, las secciones del poste podrían separarse durante el juego y/o durante el transporte del sistema.
- El clima, la corrosión y el mal uso podrían ocasionar la falla del sistema.
- Si requiere asistencia técnica, comuníquese con Huffy Sports.
- La altura mínima de operación es de 1.98m (6' 6") hasta la parte inferior del respaldo.

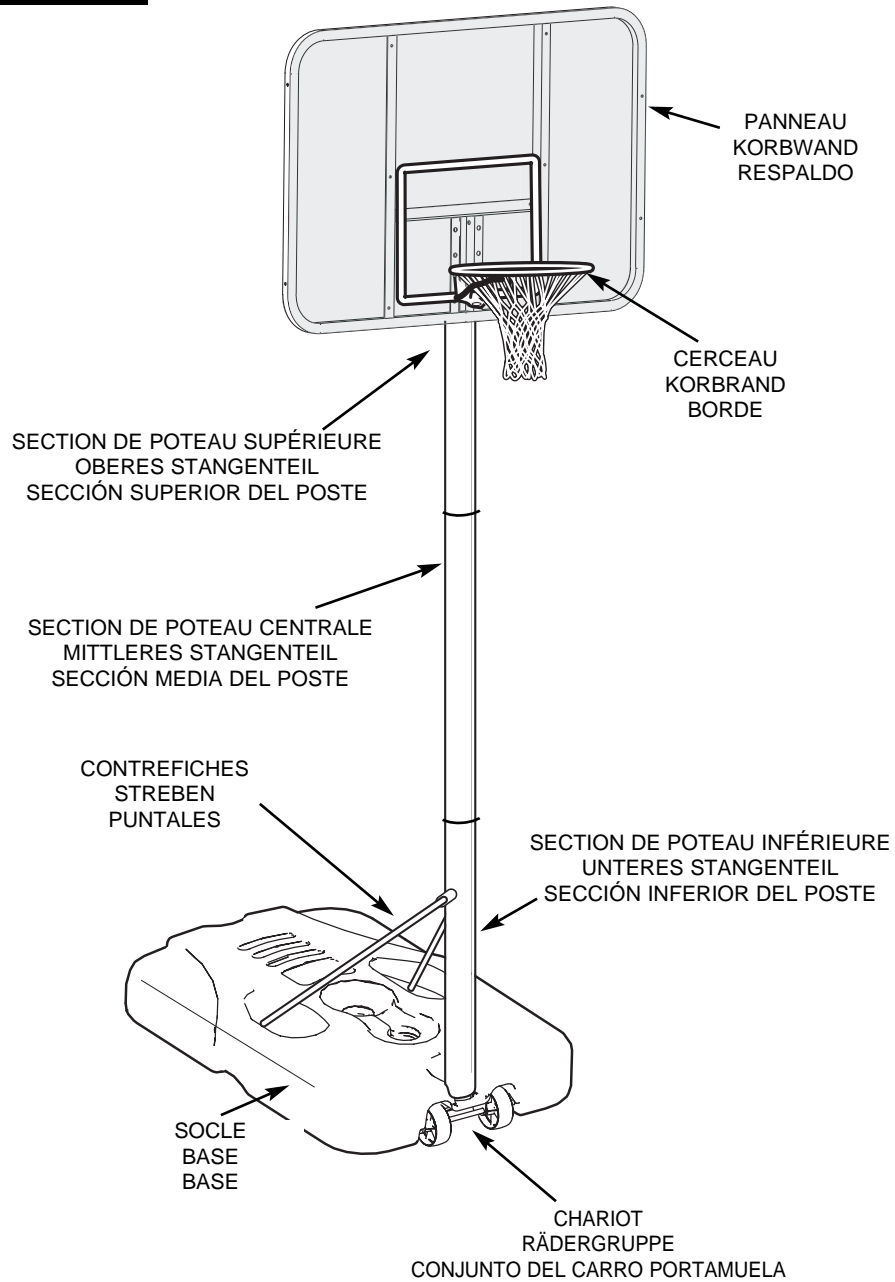
La mayoría de las lesiones son causadas por el uso inadecuado y/o por el incumplimiento de las instrucciones. Tenga cuidado cuando use esta unidad.

Apprenez à connaître les composants de base de votre système de basket-ball....

Machen Sie sich mit den wichtigsten Teilen Ihres Basketballsystems vertraut...

Conozca las piezas básicas de su sistema de baloncesto...

AVANT
VORDERSEITE
PARTE FRONTAL



**LISTE DES PIÈCES
TEILELISTE
LISTA DE PIEZAS**

<u>Légende</u>	<u>Quantité</u>	<u>No de réf.</u>	<u>Description</u>
1	1	206646	Réservoir (noir)
2	1	200628	Axe des roues
3	2	226401	Roue
4	1	908200	Section de poteau supérieure
5	1	908246	Section de poteau centrale avec étiquette
6	1	900644	Section de poteau inférieure
7	1	203041	Écrou, collet à six pans, 3/8-16
8	1		Filet
9	1	201342	Support de roues
10	2	201651	Entretoise, axe des roues
11	1	203470	Rondelle, plate, Slam Jam
12	1	206219	Capuchon
13	1	266001	Boulon ordinaire, 3/8-16 x 1.5 (long.)
14	1	203617	Bouchon de réservoir
15	1	5E2356	Étiquette, déplacement du système et réglage de hauteur
16	2*	203084	Boulon ordinaire, 5/16-18 x 1.75 long.
17	4*	201344	Bouton en plastique, 3 côtés
18	1		Cerceau
19	4	203104	Boulon, bride, six pans, 5/16-18 x 5,08 cm (long.)
20	2	900057	Support de panneau
21	1	203795	Écrou, spécial
22	3	203309	Rondelle, D.I. 1 cm x D.E. 2,5 cm
23	2	203053	Boulon ordinaire, 5/16-18 x 4
24	2	200837	Support du cerceau
25	4*	203100	Écrou, collet à six pans, 5/16-18
26	1	900033	Support, Slam Jam
27	1	203796	Boulon à T, 3/8-16 x 12,7 cm (long.)
28	1	200318	Support de renforcement, Slam Jam
29	1	203472	Ressort, noir, Slam Jam
30	1		Panneau

* IL EST POSSIBLE QUE VOUS AYEZ D'AUTRES PIÈCES AVEC CE MODÈLE.

<u>Nr.</u>	<u>Anz.</u>	<u>Teilenummer</u>	<u>Beschreibung</u>
1	1	206646	Tank (Schwarz)
2	1	200628	Radachse
3	2	226401	Rad
4	1	908200	Oberes Stangenteil
5	1	908246	Mittleres Stangenteil mit Aufkleber
6	1	900644	Untere Stangenteilgruppe
7	1	203041	Sechskant-Flanschmutter, 3/8-16
8	1		Netz
9	1	201342	Radhalterung
10	2	201651	Abstandsstück, Radachse
11	1	203470	Slam-Jam-Unterlegscheibe, flach
12	1	206219	Deckel
13	1	266001	Schlossschraube, 3/8-16 x 1,5 Länge
14	1	203617	Tankdeckel
15	1	5E2356	Schild, Systemtransport und Höhenverstellung
16	2*	203084	Schlossschraube, 5/16-18 x 1,75 Länge
17	4*	201344	Plastikknopf, 3-seitig
18	1		Korbrand
19	4	203104	Sechskant-Flanschschraube, 5/16-18 x 5,08 cm Zoll Länge
20	2	900057	Korbwand-Montagehalterung
21	1	203795	Spezialmutter
22	3	203309	Unterlegscheibe, 0,406 ID x 1,0 AD
23	2	203053	Schlossschraube, 5/16-18 x 4
24	2	200837	Korbrandhalterung
25	4*	203100	Sechskant-Flanschmutter, 5/16-18
26	1	900033	Slam Jam-Halterung
27	1	203796	T-Nutenschraube, 3/8-16 x 5 Zoll Länge
28	1	200318	Slam Jam-Verstärkungshalterung
29	1	203472	Slam Jam-Feder, schwarz
30	1		Korbwand

* Diesem Modell können zusätzliche Teile beige packt sein.

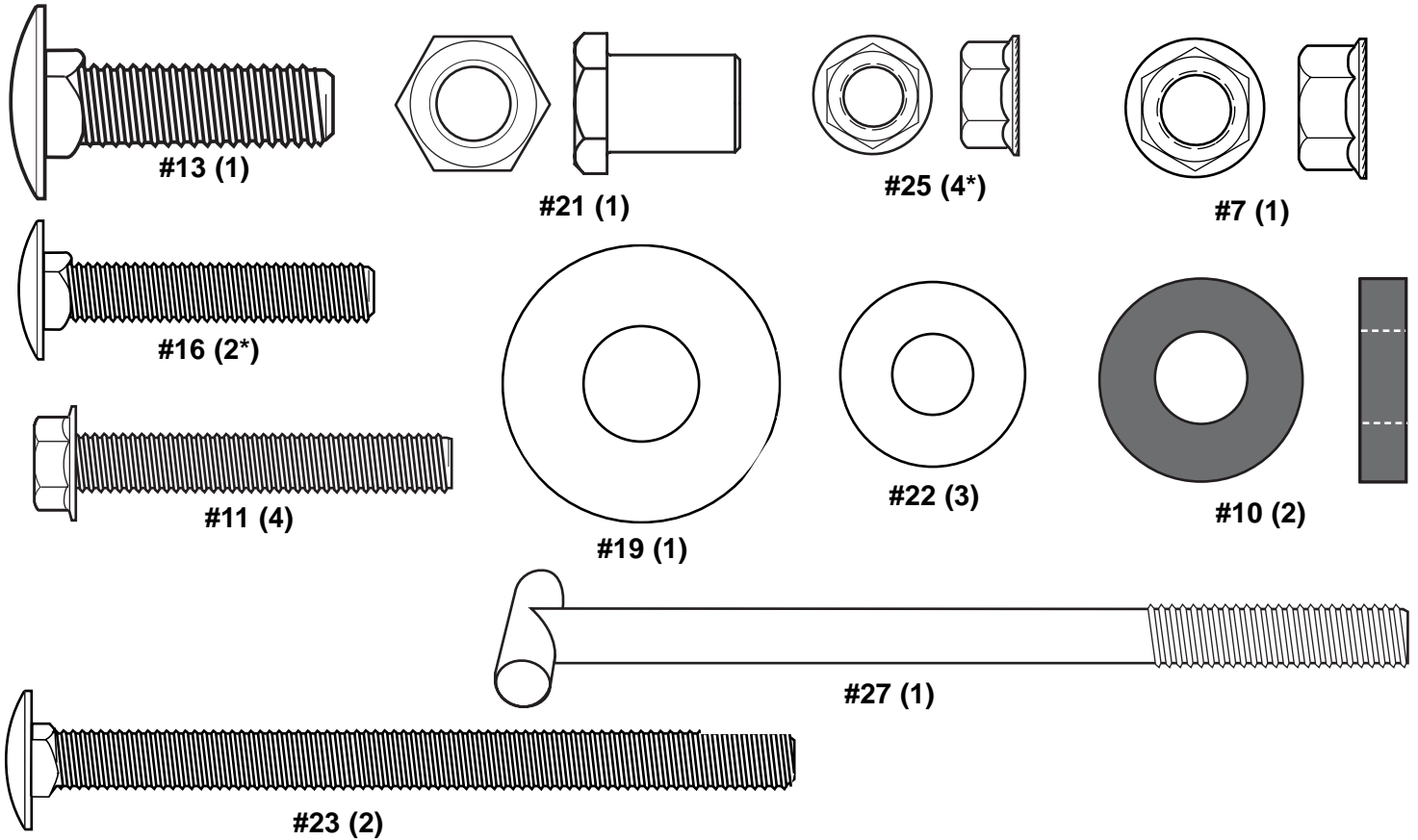
<u>Artículo</u>	<u>Cant.</u>	<u>Pieza N.º</u>	<u>Descripción</u>
1	1	206646	Tanque (negro)
2	1	200628	Eje de la rueda
3	2	226401	Rueda
4	1	908200	Sección superior del poste
5	1	908246	Sección media del poste con etiqueta
6	1	900644	Conjunto de la sección inferior del poste
7	1	203041	Tuerca, brida hexagonal, 3/8-16
8	1		Red
9	1	201342	Soporte de la rueda
10	2	201651	Espaciador, eje de la rueda
11	1	203470	Arandela, plana, Slam Jam
12	1	206219	Tapa
13	1	266001	Perno cabeza de carro, 3/8-16 x 1.5 de longitud
14	1	203617	Tapa del tanque
15	1	5E2356	Etiqueta, movimiento del sistema y ajuste de la altura
16	2*	203084	Perno cabeza de carro, 5/16-18 x 1.75 de longitud
17	4*	201344	Perilla, plástico, 3 lados
18	1		Borde
19	4	203104	Perno, brida hexagonal, 5/16-18 x 5,08 cm de longitud
20	2	900057	Soporte de montaje del respaldo
21	1	203795	Tuerca especial
22	3	203309	Arandela, .406 D.I. x 1.0 D.E.
23	2	203053	Perno cabeza de carro, 5/16-18 x 4
24	2	200837	Soporte del borde
25	4*	203100	Tuerca, brida hexagonal, 5/16-18
26	1	900033	Soporte, Slam Jam
27	1	203796	Perno en T, 3/8-16 x 5 de longitud
28	1	200318	Soporte, refuerzo, Slam Jam
29	1	203472	Resorte, negro, Slam Jam
30	1		Respaldo

* Puede haber piezas adicionales en este modelo.

DESCRIPTIF DES PIÈCES - La visserie est grandeur nature.

TEILESCHLÜSSEL - Die Befestigungsteile sind in ihrer tatsächlichen Größe abgebildet.

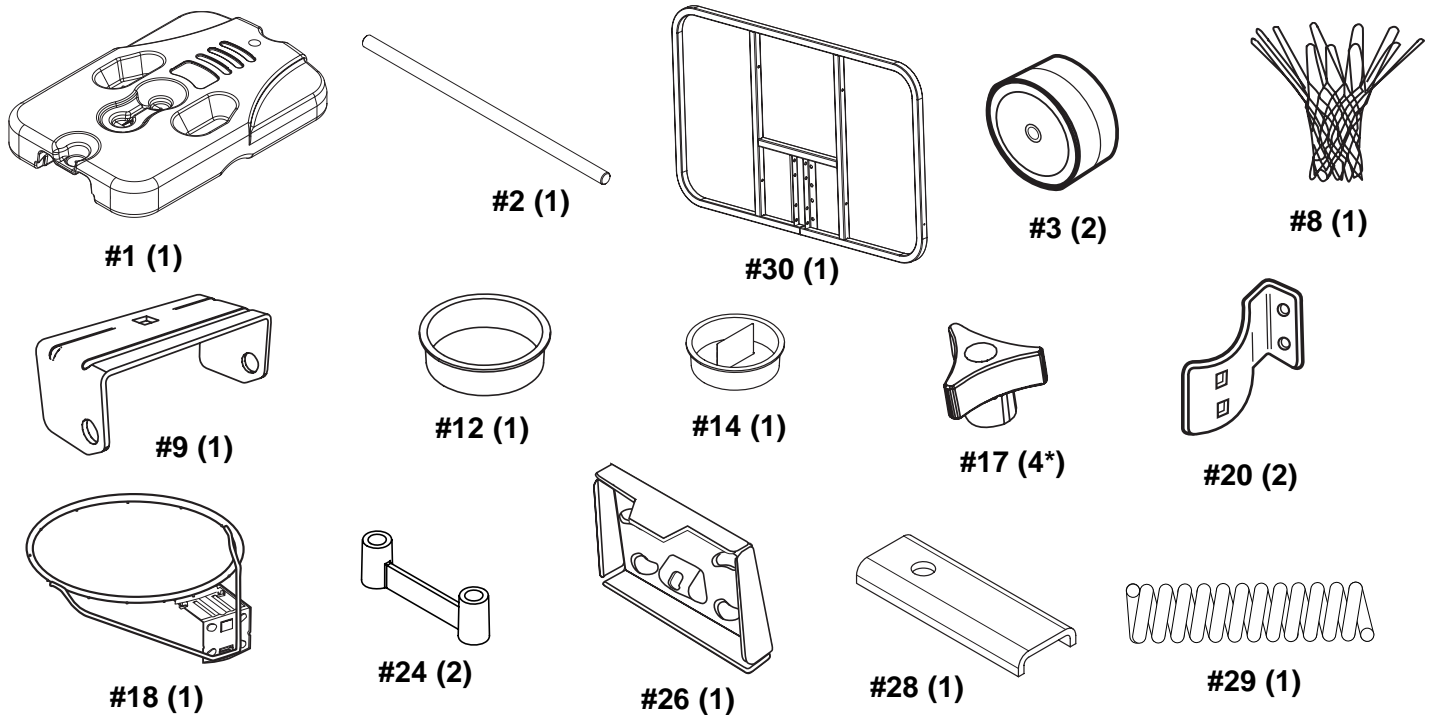
IDENTIFICADOR DE PIEZAS: El herraje aparece en su tamaño real



IDENTIFICATION DES PIÈCES - Pas à la grandeur réelle

TEILESCHLÜSSEL - Die einzelnen Teile sind nicht in ihrer tatsächlichen Größe abgebildet.

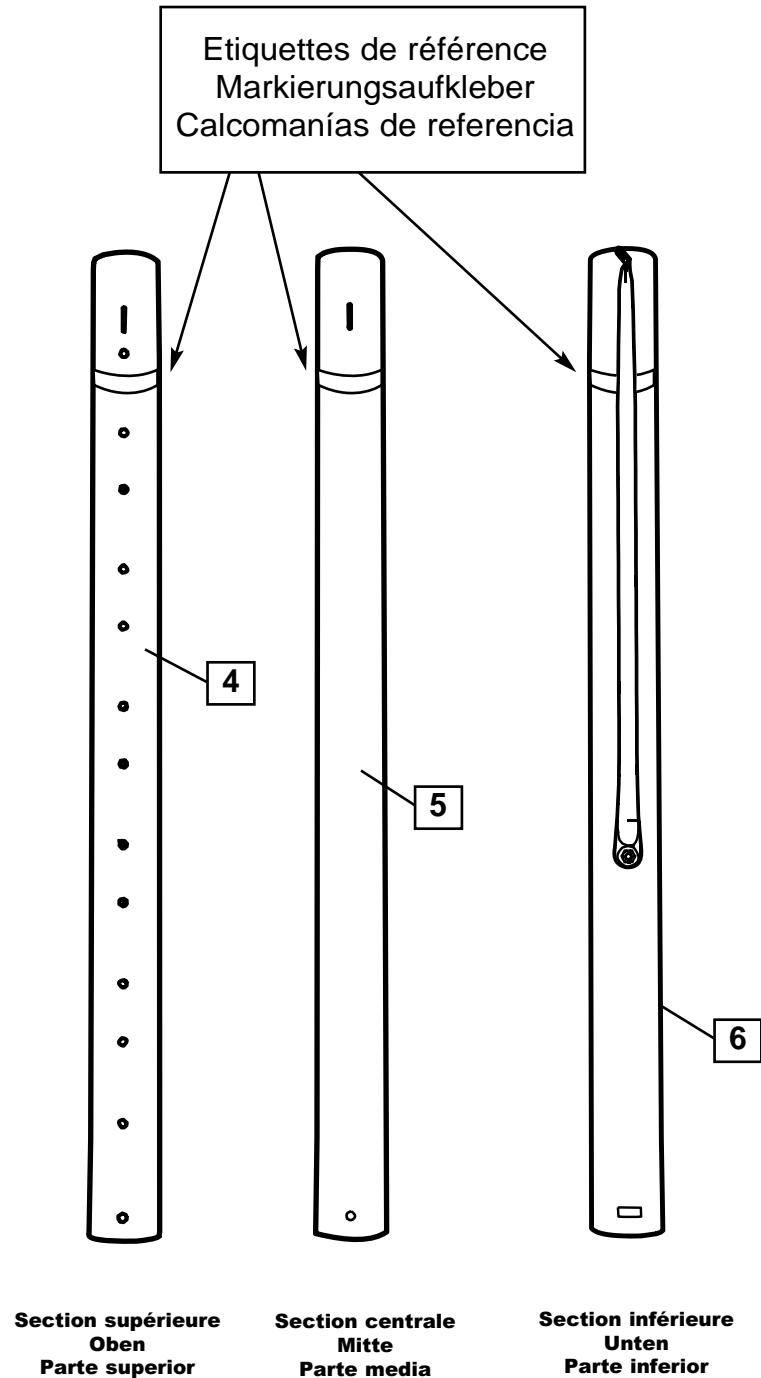
IDENTIFICADOR DE PIEZAS: Las piezas no aparecen en su tamaño real



1. Identifiez correctement chaque section de poteau. Les poteaux ont une étiquette d'identification qui servira de point de repère à l'étape suivante.

Jedes Stangenteil richtig identifizieren. Die Stangenteile sind mit Aufklebern markiert, die als Orientierungshilfe für den nächsten Schritt dienen.

Identifique correctamente cada sección del poste. Los postes tienen una calcomanía de identificación que se usará como punto de referencia en el paso siguiente.



IMPORTANT!

UNE FOIS LES SECTIONS DE POTEAU ENTRECHOQUÉES ENSEMBLE, ELLES NE PEUVENT PLUS ÊTRE DÉMONTÉES.

WICHTIG!

NACH DEM ZUSAMMENSTAUCHEN DER STANGENTEILE KÖNNEN DIESE NICHT MEHR VONEINANDER GETRENNT WERDEN.

¡IMPORTANTE!

UNA VEZ QUE LAS SECCIONES DEL POSTE SE HAN EMBRAGADO ENTRE SÍ, YA NO SE PODRÁN SEPARAR

2.

Alignez les sections de poteau en vous basant sur les repères d'alignement. Tout d'abord, emboîtez les sections de poteau supérieure et centrale en les entrechoquant sur un bout de bois posé par terre, comme illustré à la figure B, jusqu'à ce qu'elles ne bougent plus vers les étiquettes d'identification des sections. ENSUITE, ajoutez la section de poteau inférieure et entrechoquez de la même façon.

Die Stangen mithilfe der Markierungen korrekt ausrichten. Zuerst das obere und mittlere Stangenteil auf einem Holzstück auf dem Boden zusammenstauchen (siehe Abb. B), bis sie sich nicht mehr auf die Markierungsaufkleber zubewegen. DANN das untere Stangenteil auf gleiche Weise - also durch Zusammenstauchen - anbringen.

Alinee los postes usando las marcas de alineación. Primero embrague las secciones superior y media del poste golpeándolas entre sí sobre un trozo de madera colocado en el piso como se muestra en la FIG. B hasta que ya no se muevan hacia las calcomanías de identificación del poste. LUEGO añada la sección inferior del poste y golpee las secciones entre sí de la misma manera.



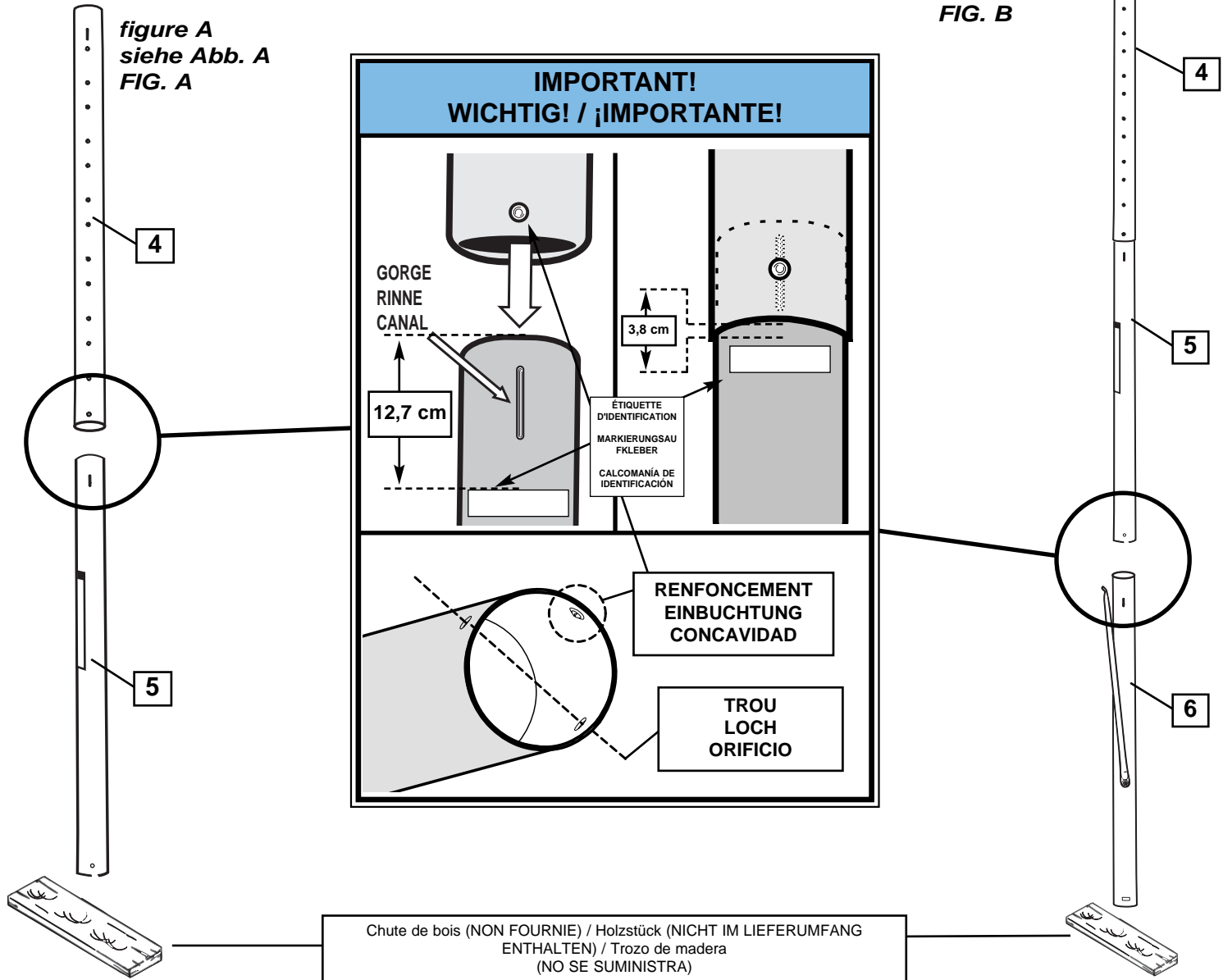
**ATTENTION !
VORSICHT!
¡PRECAUCIÓN!**

L'ÉTIQUETTE D'IDENTIFICATION SE SITUE À 12,7 (5") CM DE L'EXTRÉMITÉ DU POTEAU. LORSQU'ELLES SONT CORRECTEMENT EMBÔTÉES LES UNES DANS LES AUTRES, LES SECTIONS DE POTEAU DOIVENT SE CHEVAUCHER DE 9 CM (3 1/2") MINIMUM, EN LAISSANT 3,8 CM (1 1/2") ENTRE LA SECTION QUI CHEVAUCHE ET L'ÉTIQUETTE D'IDENTIFICATION.

DER MARKIERUNGS-AUFKLEBER BEFINDET SICH CA. 12,7 CM (5") VOM STANGENENDE. WENN DIE STANGENTEILE RICHTIG ZUSAMMENGESTAUCHT WURDEN, SOLLTEN SIE UM MINDESTENS 9 CM (3 1/2") ÜBERLAPPEN. DER ABSTAND ZWISCHEN DEM ÜBERLAPPENDEN STANGENTEIL UND DEM MARKIERUNGS-AUFKLEBER SOLLTE ALSO 3,8 CM (1 1/2") BETRAGEN.

LA CALCOMANÍA DE IDENTIFICACIÓN ESTÁ COLOCADA A 12,7 CM (5") DEL EXTREMO DEL POSTE. CUANDO ESTÁN ADECUADAMENTE EMBRAGADAS, LAS SECCIONES DEL POSTE DEBEN TENER UN TRASLAPE MÍNIMO DE 9 CM (3 1/2"), DEJANDO 3,8 CM (1 1/2") ENTRE EL POSTE TRASLAPADO Y LA CALCOMANÍA DE IDENTIFICACIÓN.

figure B
siehe Abb. B
FIG. B

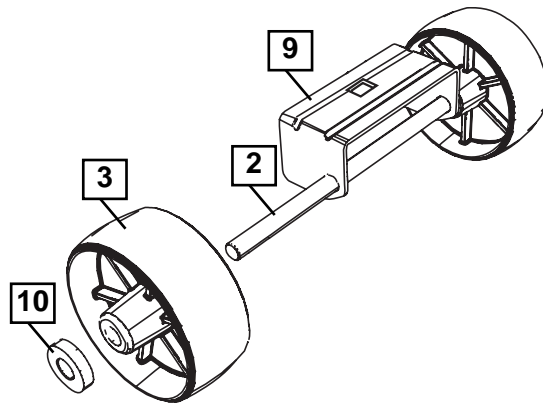


3.

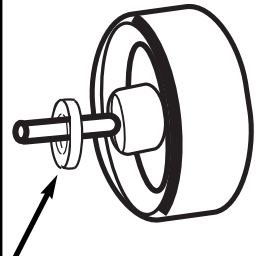
Enfilez l'axe des roues (2) dans le chariot à roues (9) et installez les roues (3) sur l'axe (2) avec les entretoises (10), comme illustré.

Die Radachse (2) wie gezeigt durch das Radlaufwerk (9) schieben und die Räder (3) mit Abstandsstücken (10) auf die Radachse (2) schieben.

Instale el eje de la rueda (2) a través del carro portamuela (9) e instale las ruedas (3) en el eje de la rueda (2) con los espaciadores (10) como se muestra.



IMPORTANT!
¡IMPORTANTE!
WICHTIG!



L'ENTRETOISE (10) TIENDRA SANS SERRER JUSQU'À SA FIXATION DANS LE TROU DU SOCLE.

DAS ABSTANDSTÜCK (10) IST LOCKER, BIS ES IN DEN HOHLRAUM DES SOCKELS EINGEPASST WIRD.

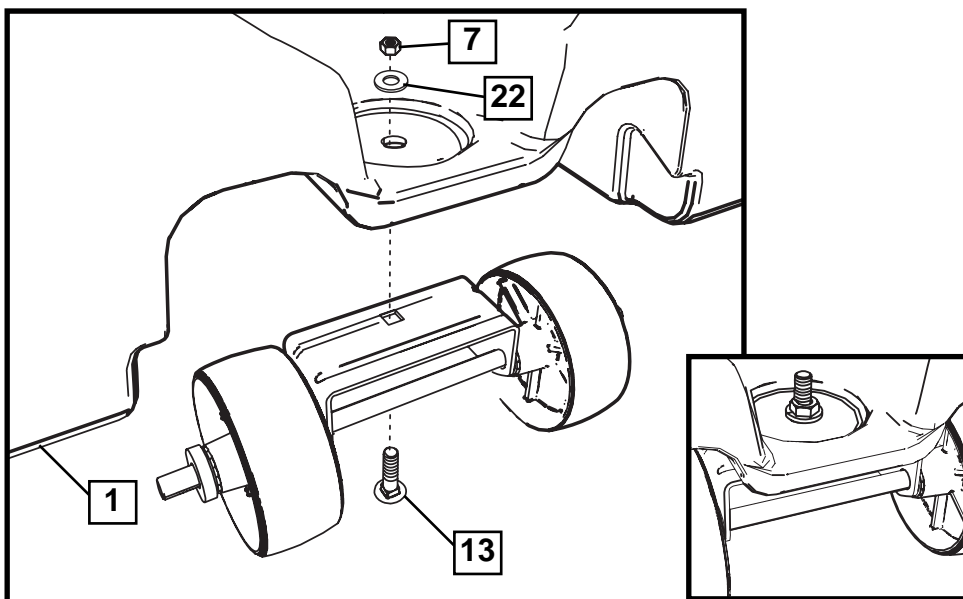
EL ESPACIADOR (10) SE AJUSTARÁ HOLGADAMENTE HASTA QUE SE FIJE EN LA CAVIDAD DE LA BASE

4.

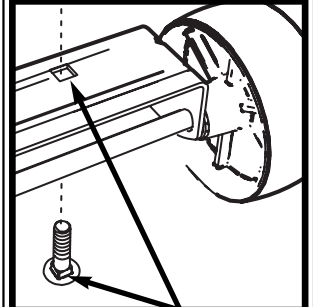
Attachez le chariot des roues au socle (1) avec le boulon (13), la rondelle (22) et l'écrou (7), comme illustré. **SERRER AVEC LES DOIGTS - AUCUN OUTIL REQUIS.** L'ensemble sera définitivement serré à l'étape suivante.

Den Rädergruppe wie gezeigt mit Schraube (13), Unterlegscheibe (22) und Mutter (7) am Sockel (1) befestigen. **MIT DEN FINGERN ANZIEHEN - KEIN WERKZEUG ERFORDERLICH.** Die Baugruppe wird im nächsten Schritt fest angezogen.

Conecte el conjunto del carro portamuela a la base (1) con el perno (13), la arandela (22) y la tuerca (7) como se muestra. **APRIETE CON LOS DEDOS, NO SE REQUIEREN HERRAMIENTAS.** El conjunto se apretará completamente en el siguiente paso.



IMPORTANT!
¡IMPORTANTE!
WICHTIG!



VEILLEZ À CE QUE LA PARTIE CARRÉE DU BOULON DU CHARIOT SOIT BIEN CALÉE DANS LA DÉCOUPE CARRÉE DU SUPPORT DES ROUES.

SICHERSTELLEN, DASS DER VIERECKIGE TEIL DER SCHLOSSSCHRAUBE RICHTIG IN DIE VIERECKIGE AUSSPARUNG DER RADHALTERUNG EINGEPASST IST.

CONECTE EL CONJUNTO DEL CARRO PORTAMUELA A LA BASE (1) CON EL PERNO (13), LA ARANDELA (22) Y LA TUERCA (7) COMO SE MUESTRA. APRIETE CON LOS DEDOS, NO SE REQUIEREN HERRAMIENTAS. EL CONJUNTO SE APRETARÁ COMPLETAMENTE EN EL SIGUIENTE PASO.

5. Attachez l'ensemble du poteau au réservoir, comme illustré. Fixez le poteau sur le réservoir et le support des roues en tournant le poteau dans le sens des aiguilles d'une montre, comme illustré. Serrez le poteau à fond et tournez-le encore jusqu'à ce que les contrefiches soient correctement alignées, comme illustré à la figure B.

Den Stangenaufbau wie gezeigt an der Tankbaugruppe befestigen. Den Stangenaufbau wie gezeigt durch Rechtsdrehen am Tank und an der Radhalterung befestigen. Die Stange fest anziehen und weiter drehen, bis die Streben wie in Abb. B dargestellt korrekt ausgerichtet sind.

Instale el conjunto del poste en el conjunto del tanque como se muestra. Asegure el conjunto del poste en el tanque y en el soporte de la rueda girando hacia la derecha el conjunto del poste. Apriete completamente el poste y siga girándolo hasta que los puntales estén correctamente alineados como se muestra en la FIG B.



**AVERTISSEMENT !
WARNUNG!
¡ADVERTENCIA!**



Il est obligatoire de s'y prendre à deux pour cette procédure. SUIVEZ CET AVERTISSEMENT SOUS PEINE D'ENCOURIR DES BLESSURES GRAVES ET/OU DES DÉGÂTS MATÉRIELS.

Dieses Schritt muss von zwei Personen ausgeführt werden. EIN MISSACHTEN DIESER WARNUNG KANN ZU SCHWEREN VERLETZUNGEN UND/ODER SACHSCHÄDEN FÜHREN.

Se requieren dos personas para realizar este procedimiento. SI NO SE OBSERVA ESTA ADVERTENCIA SE PODRÍA OCASIONAR UNA lesión GRAVE Y/O DAÑOS A LA PROPIEDAD.

**IMPORTANT!
WICHTIG!
¡IMPORTANTE!**

Il faut donner environ 7 tours complets au poteau pour le serrer correctement. Une fois le poteau bien serré, le support des roues sera contre le socle. Faites-vous aider par quelqu'un qui maintiendra le socle en place durant cette étape.

Die Stange muss zur sicheren Befestigung ca. 7 mal gedreht werden. Wenn sie richtig befestigt ist, liegt die Radhalterung fest am Sockel an. Bei diesem Schritt muss der Sockel von einer zweiten Person festgehalten werden.

El poste se debe girar aproximadamente 7 vueltas completas para apretarlo adecuadamente. Cuando esté adecuadamente apretado, el soporte de la rueda quedará ajustado contra la base. Se recomienda que en este paso un asistente mantenga la base fija en su lugar.

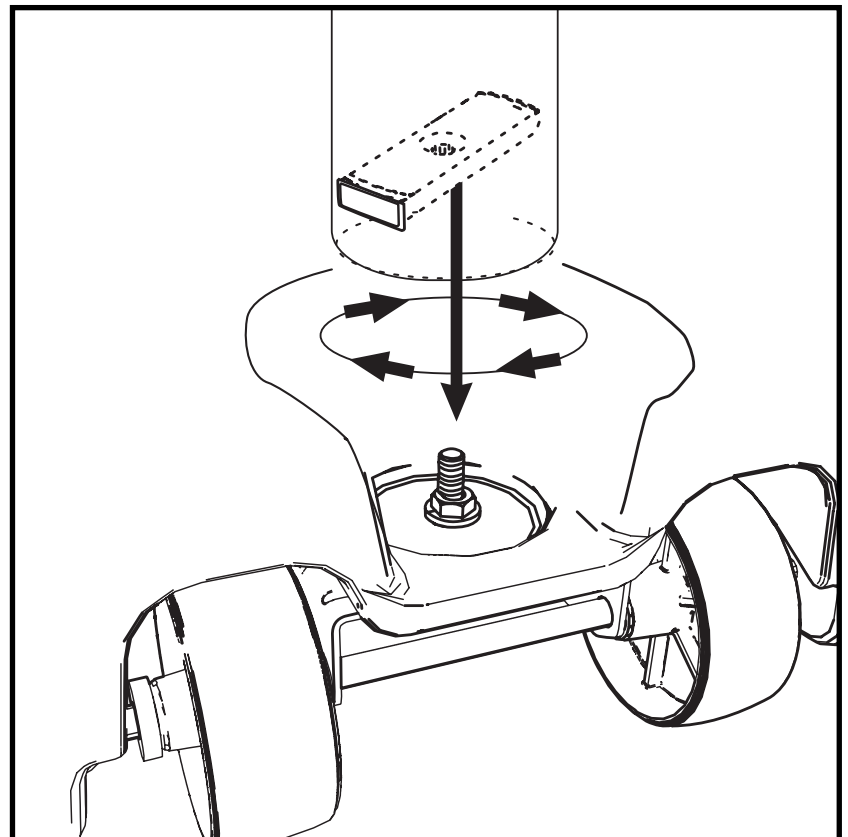
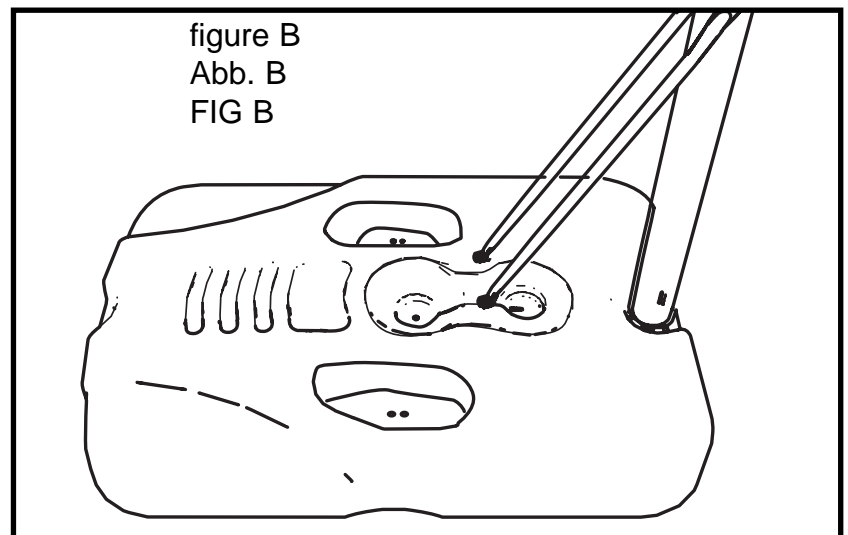


figure B
Abb. B
FIG B



6. Tournez les contrefiches vers le bas et courbez les contrefiches vers l'extérieur pour les aligner sur les trous du socle, comme illustré. Fixez les extrémités libres des contrefiches sur le réservoir avec le boulon ordinaire (16), la rondelle (22) et le bouton (17), comme illustré. Faites de même de l'autre côté.

Die Streben wie gezeigt nach unten klappen und nach außen biegen, damit sie mit den Löchern am Sockel zur Deckung kommen. Die unbefestigten Enden der Sockelverstrebenungen mit der Schlossschraube (16), der Unterlegscheibe (22) und dem Drehknopf (14) wie gezeigt am Tank befestigen. Das gleiche Verfahren auf der anderen Seite durchführen.

Gire los puntales hacia abajo y dóblelos hacia fuera para alinearlos con los orificios de la base como se muestra. Asegure los extremos libres de los puntales del tanque el en tanque con el perno cabeza de carro (16), arandela (22) y perilla (17) como se muestra. Repita el procedimiento en el otro lado.



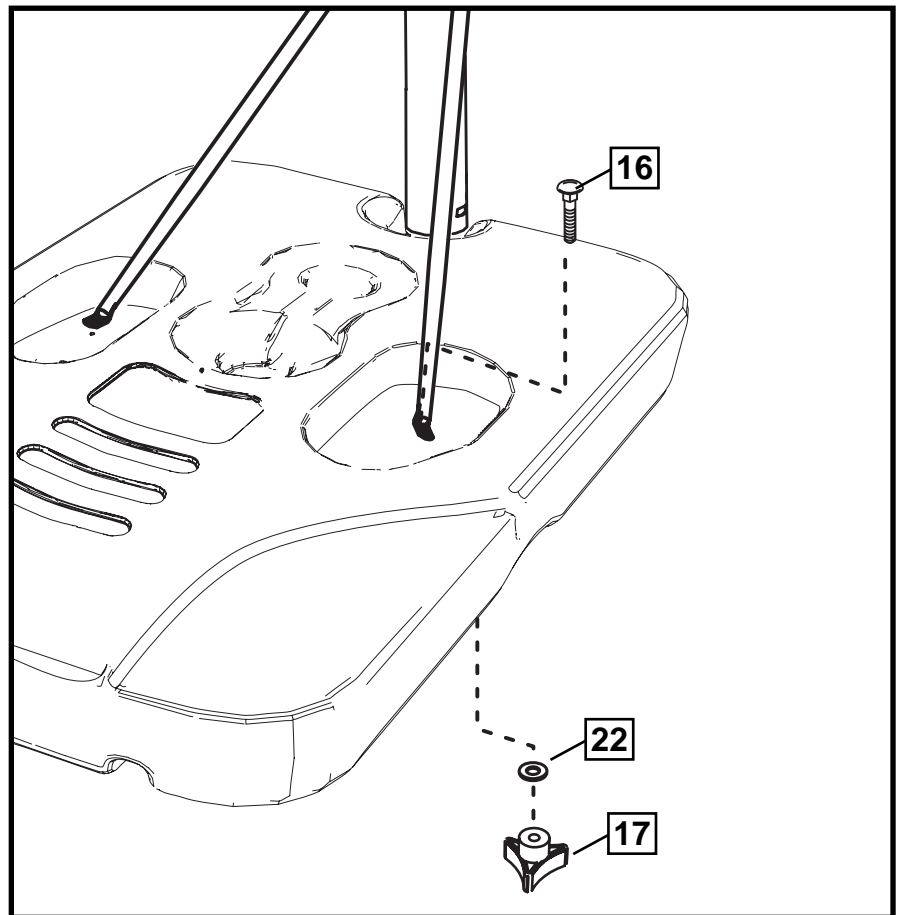
**AVERTISSEMENT !
WARNUNG!
¡ADVERTENCIA!**



LES BOUTONS DOIVENT ÊTRE SERRÉS À FOND ET IL FAUT VÉRIFIER PÉRIODIQUEMENT LEUR SERRAGE.

DIE DREHKNÖPFE MÜSSEN FEST ANGEZOGEN WERDEN UND ES MUSS REGELMÄSSIG SICHERGESTELLT WERDEN, DASS SIE SICH NICHT GELOCKERT HABEN.

LAS PERILLAS DEBEN ESTAR COMPLETAMENTE APRETADAS Y SE DEBE REVISAR PERIÓDICAMENTE SU AJUSTE.



7.

Montez les supports (20, 26) et le cerceau (18) sur le panneau et serrez des doigts.

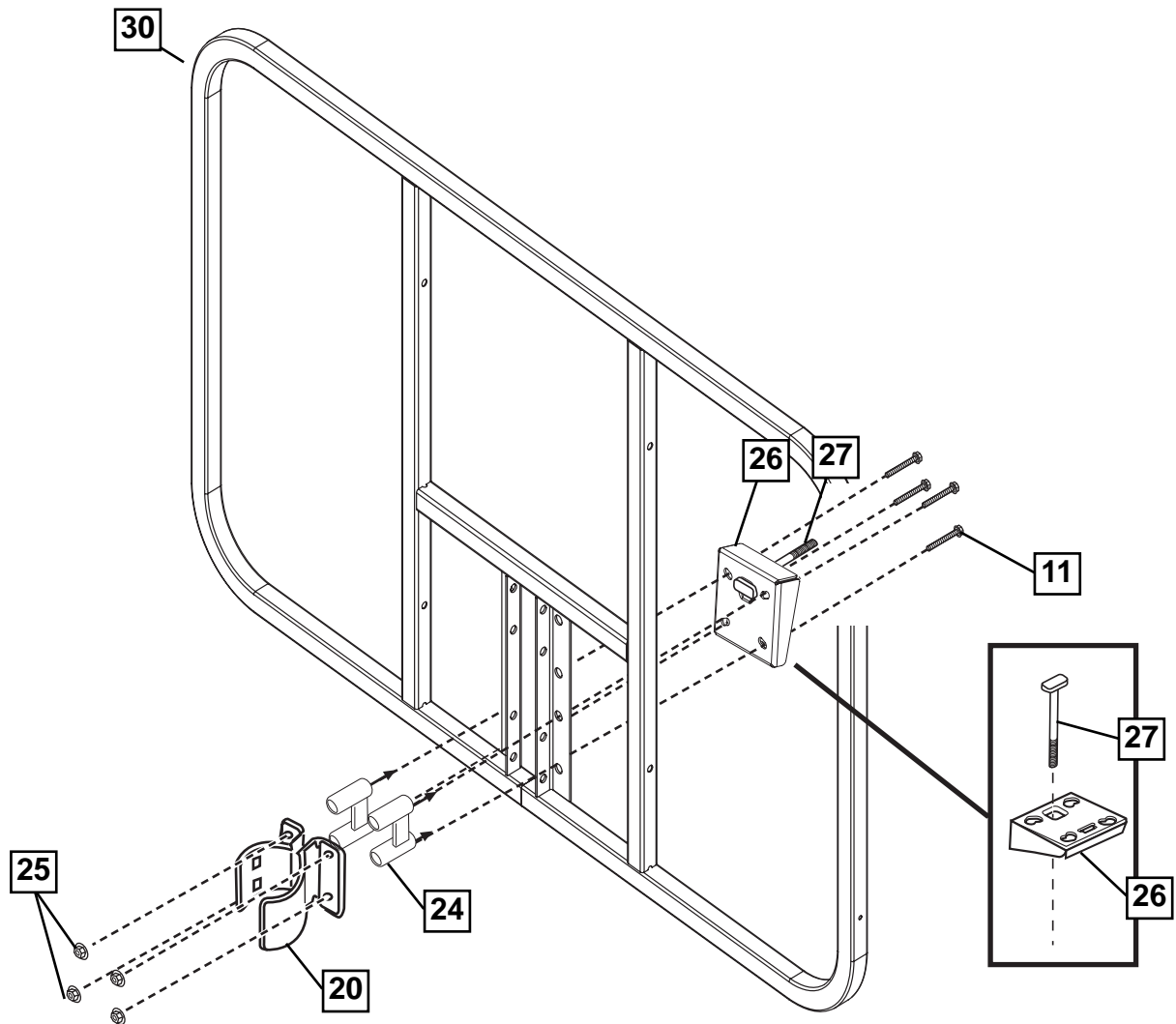
REMARQUE : Les ajustements finaux seront effectués à l'étape 10.

Die Halterungen (20, 26) und den Korbrand (18) an der Korbwand anbringen und von Hand anziehen.

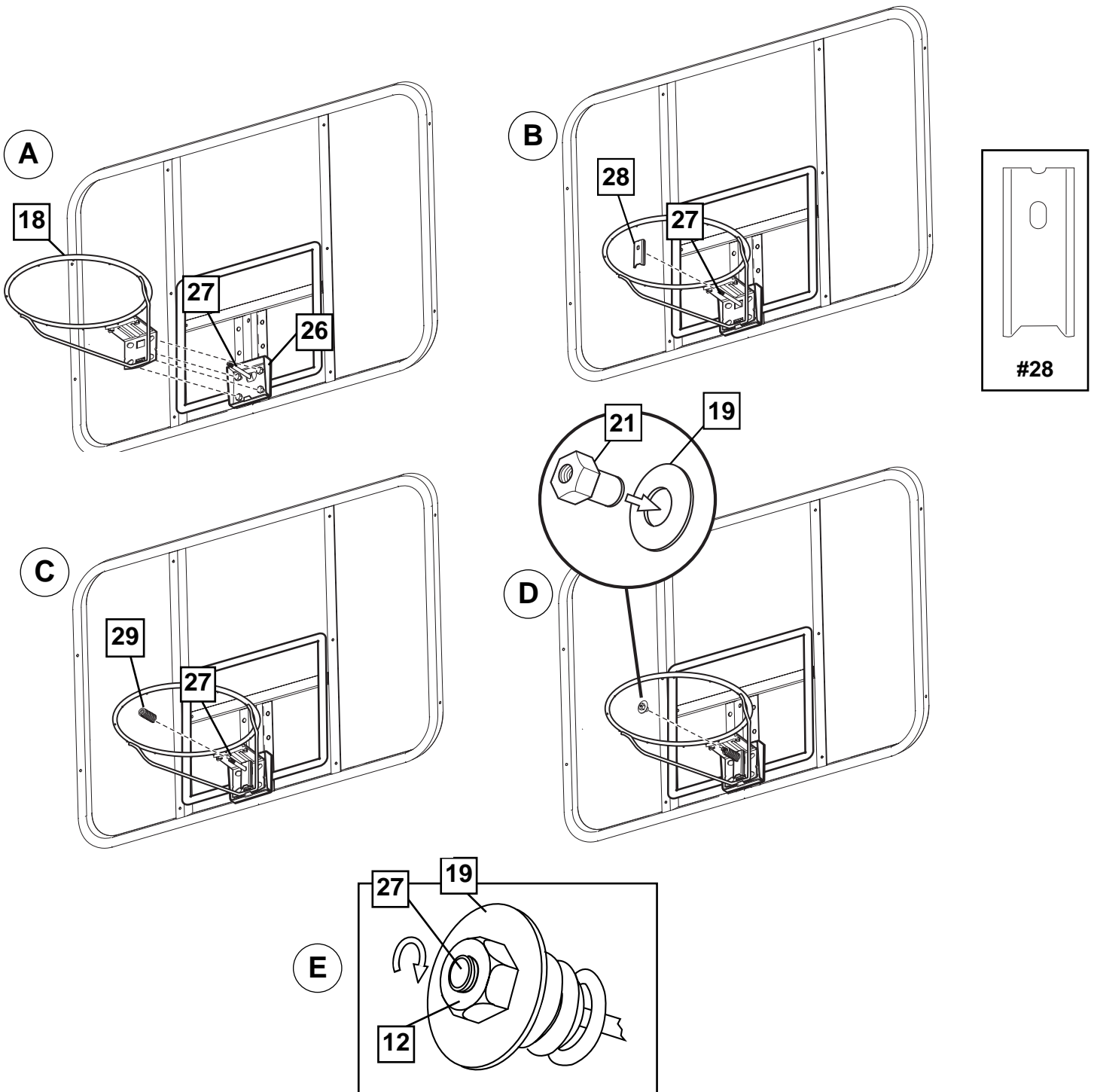
HINWEIS: Alle endgültigen Einstellungen werden in Schritt 10 vorgenommen.

Monte los soportes (20, 26) y el borde (18) en el respaldo y apriételos con la mano.

NOTA: Los ajustes finales se harán en el paso 10.



8a.



Installez le cerceau Slam Jam sur le panneau.

- A.** Calez bien le cerceau (18) dans le support (26), comme illustré. Laissez glisser le boulon à T (27) à travers le trou central du cerceau (18).
- B.** Installez le support de renforcement (28) sur le boulon à T (27), comme illustré.
- C.** Installez le ressort (29) sur le boulon à T (27), comme illustré.
- D.** Installez l'écrou spécial (21) et la rondelle (19) sur le boulon à T (27).
- E.** Serrez l'écrou (21) jusqu'à ce qu'il se trouve au même niveau que l'extrémité du boulon à T (27).

Den Slam Jam-Korbrand an der Korbwand befestigen.

- A.** Den Korbrand (18) wie gezeigt in die Halterung (26) einsetzen. Die T-Nutenschraube (27) gleitet durch das mittlere Loch im Korbrand (18).
- B.** Die Verstärkungshalterung (28) wie gezeigt über die T-Nutenschraube (27) schieben.
- C.** Die Feder (29) wie gezeigt auf der T-Nutenschraube (27) anbringen.
- D.** Die Spezialmutter (21) und Unterlegscheibe (19) auf der T-Nutenschraube (27) anbringen.
- E.** Die Mutter (21) anziehen, bis sie bündig mit dem Ende der T-Nutenschraube (27) abschließt.

Instale el borde Slam Jam en el respaldo

- A.** Ajuste el borde (18) seguramente en el soporte (26) como se muestra. Permita que el perno en "T" (27) se deslice a través del orificio central del borde (18).
- B.** Instale el soporte de refuerzo (28) en el perno "T" (27) como se muestra.
- C.** Instale el resorte (29) en el perno T (27) como se muestra.
- D.** Instale la tuerca especial (21) y la arandela (19) en el perno T (27).
- E.** Apriete la tuerca (21) hasta que quede al ras del extremo del perno T (27).

9.

Posez le poteau et le réservoir sur une table. Glissez délicatement les composants du panneau sur le poteau.

Stangen- und Tankbaugruppe auf einem Tisch abstützen. Die Komponenten der Korbwand vorsichtig auf die Stange aufschieben.

Apoye el poste y el conjunto del tanque sobre una mesa de soporte. Con cuidado deslice los componentes del respaldo hacia el poste.



AVERTISSEMENT !
WARNING!
¡ADVERTENCIA!



Il est obligatoire de s'y prendre à deux pour cette procédure. SUIVEZ CET AVERTISSEMENT SOUS PEINE D'ENCOURIR DES BLESSURES GRAVES ET/OU DES DÉGÂTS MATÉRIELS.

Dieses Schritt muss von zwei Personen ausgeführt werden. EIN MISSACHTEN DIESER WARNUNG KANN ZU SCHWEREN VERLETZUNGEN UND/ODER SACHSCHÄDEN FÜHREN.

Se requieren dos personas para realizar este procedimiento. SI NO SE OBSERVA ESTA ADVERTENCIA SE PODRÍA OCASIONAR UNA lesión GRAVE Y/O DAÑOS A LA PROPIEDAD.

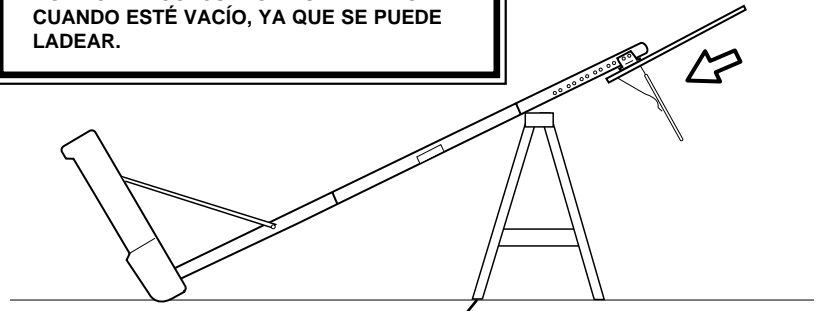


AVERTISSEMENT !
WARNING!
¡ADVERTENCIA!

NE LAISSEZ PAS L'ENSEMBLE SANS SURVEILLANCE LORSQU'IL EST VIDE, CAR IL RISQUE DE BASCULER.

DIE VORRICHTUNG IM LEEREN ZUSTAND NICHT UNBEAUFICHTIGT LASSEN, DA SIE UMKIPPEN KÖNNTE.

NO DEJE EL CONJUNTO DESATENDIDO CUANDO ESTÉ VACÍO, YA QUE SE PUEDE LADEAR.



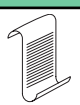
Chevalet de sciage ou table
Sägebock oder Stütztisch
Caballete o mesa de apoyo

10.

En le laissant à l'horizontale, fixez la visserie aux points indiqués sur l'illustration et serrez à fond à ce stade.

Während sich die Einheit in einer horizontalen Lage befindet, die Befestigungsteile wie gezeigt an den gewünschten Stellen anbringen und alle Kleinteile fest anziehen.

Mientras la unidad se encuentre aún en posición horizontal, asegure el herraje en la posición deseada, como se muestra, y apriételo completamente en este momento.

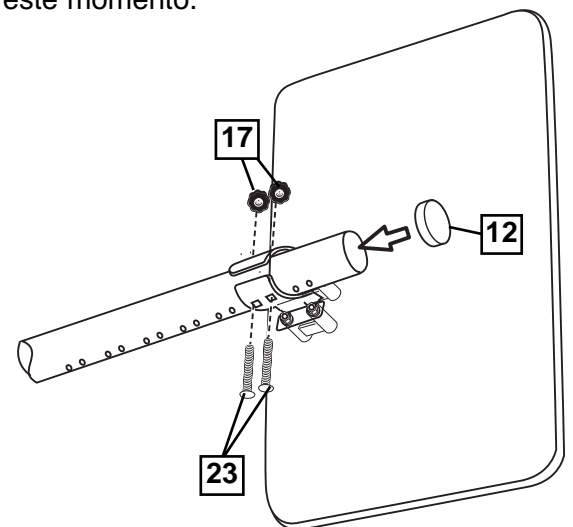
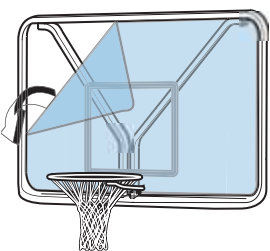


REMARQUE:
HINWEIS:
NOTA:

Décollez le film de protection de la surface du panneau en acrylique avant usage.

Vor Gebrauch die Schutzfolie von der Oberfläche der Acryl-Korbwand abziehen.

Desprenda la película protectora de la superficie del respaldo de acrílico antes de usarlo.

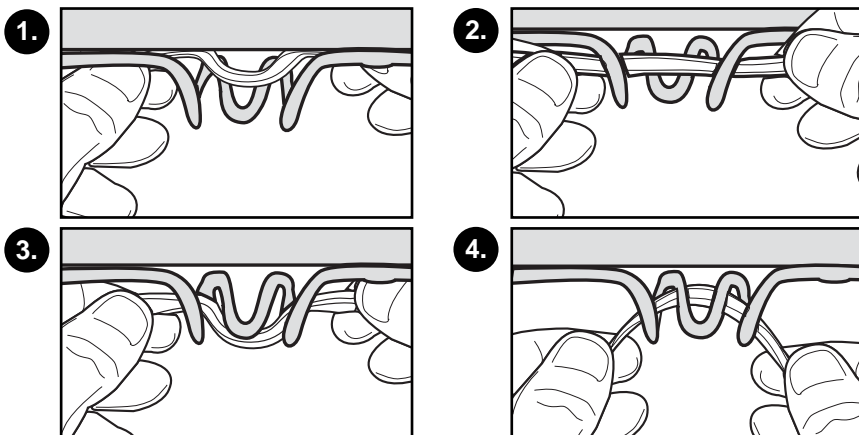


11.

Insérez le filet (8).

Das Netz (8).

Introduzca la red (8)

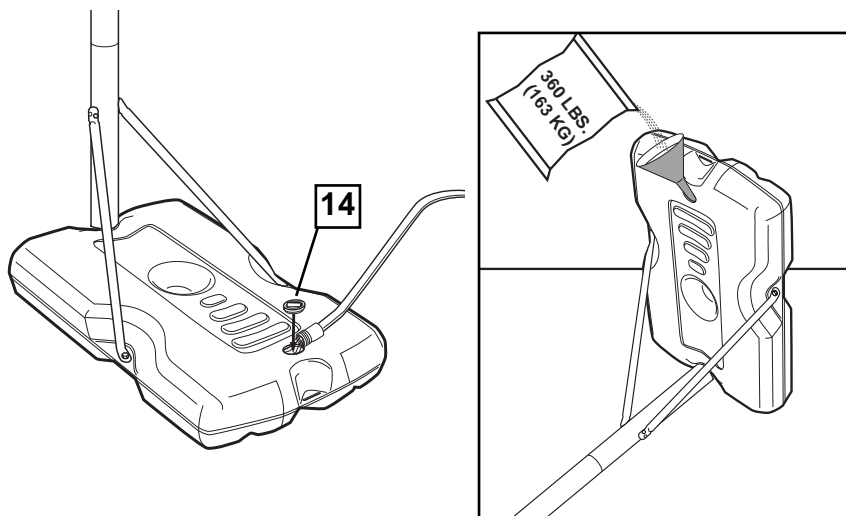


12.

Placez l'ensemble à l'emplacement de votre choix. Remplissez le réservoir d'eau (98,4 litres / 26 gallons) ou de sable (163 kg / 360 lb.) et fermez avec le bouchon (14).

Die zusammengebaute Vorrichtung an den gewünschten Aufstellungsort bringen. Den Tank mit Wasser (98,4 l [26 gal]) oder Sand (163 kg [360 lbs]) füllen und den Tankdeckel (14) aufschrauben lassen.

Coloque la unidad montada en la ubicación deseada. Llene el tanque con agua (98.4 litros/26 galones) o con arena (163 kg/360 libras) y conecte a presión la tapa del tanque (14) en su lugar.



	REMARQUE HINWEIS NOTA:
<p>AVEC DU SABLE: LES HUIT LITRES D'ANTIGEL SONT INUTILES.</p> <p>BEI GEBRAUCH VON SAND: WERDEN NATÜRLICH KEINE 7,6 LITER GEFRIERSCHUTZMITTEL BENÖTIGT.</p> <p>SI SE USA ARENA: NO SE REQUIERE EL USO DE ANTICONGELANTE.</p>	

	AVERTISSEMENT ! WARNING! ¡ADVERTENCIA!
<p>NE LAISSEZ PAS L'ENSEMBLE SANS SURVEILLANCE LORSQU'IL EST VIDE, CAR IL RISQUE DE BASCULER.</p> <p>DIE VORRICHTUNG IM LEEREN ZUSTAND NICHT UNBEAUFICHTIGT LASSEN, DA SIE UMKIPPEN KÖNNTE.</p> <p>NO DEJE EL CONJUNTO DESATENDIDO CUANDO ESTÉ VACÍO, YA QUE SE PUEDE LADEAR.</p>	

	ATTENTION ! VORSICHT! ¡PRECAUCIÓN!
<p>AJOUTEZ 7,6 LITRES (2 GALLONS) D'ANTIGEL NON TOXIQUE EN PRÉVISION DE TEMPÉRATURES EN DESSOUS DE 0.</p> <p>DEN TANK MIT 7,6 L (2 GAL) EINES UNGIFTIGEN GEFRIERSCHUTZMITTELS FÜLLEN, UM IN KLIMAZONEN MIT FROSTTEMPERATUREN EIN GEFRIEREN ZU VERHINDERN.</p> <p>AÑADA 7.6 LITROS (DOS GALONES) DE ANTICONGELANTE NO TÓXICO SI EL CLIMA ALCANZA TEMPERATURAS DE CONGELAMIENTO.</p>	

	AVERTISSEMENT ! WARNING! ¡ADVERTENCIA!	
<p>Il est obligatoire de s'y prendre à deux pour cette procédure. SUIVEZ CET AVERTISSEMENT SOUS PEINE D'ENCOURIR DES BLESSURES GRAVES ET/OU DES DÉGÂTS MATÉRIELS.</p> <p>Dieses Schritt muss von zwei Personen ausgeführt werden. EIN MISSACHTEN DIESER WARNUNG KANN ZU SCHWEREN VERLETZUNGEN UND/ODER SACHSCHÄDEN FÜHREN.</p> <p>Se requieren dos personas para realizar este procedimiento. SI NO SE OBSERVA ESTA ADVERTENCIA SE PODRÍA OCASIONAR UNA lesión GRAVE Y/O DAÑOS A LA PROPIEDAD.</p>		

13.

Collez l'étiquette de hauteur et de déplacement (15) sur l'avant du poteau, comme illustré. La hauteur réglementaire du cerceau est de 3,05 m (10 pieds).

Den Höhen- und Transportaufkleber (15) wie gezeigt an der Vorderseite der Stange anbringen. Der Korbrand wird den offiziellen Regeln gemäß in einer Höhe von 3,05 m (10 Fuß) angebracht.

Aplique la etiqueta de ajuste de la altura y de movimiento (15) en la parte frontal del poste, como se muestra. La altura reglamentaria del borde es de 3.05 m (10 pies).

**ATTENTION !
VORSICHT!
¡PRECAUCIÓN!**

HEIGHT ADJUSTMENT
Rest unit on support table. Remove adjustment knobs (A) and carriage bolts (B) to extend or retract backboard and rim. Height adjustment from 7'-1/2" to 10'.

WARNING
Backboard may rotate during height adjustment.

WARNING
Do not adjust height of system in upright position. System must be in down position to adjust.

MOVING SYSTEM

1. While holding pole, rotate basketball system forward until wheels engage with ground.
2. Move basketball system to desired location.
3. Carefully rotate basketball system upright.
4. Check system for stability.

SE256 0505

L'ÉTIQUETTE DE HAUTEUR ET DE DÉPLACEMENT NE DOIT PAS MASQUER L'ÉTIQUETTE D'AVERTISSEMENT APPOSÉE EN USINE.

DER HÖHEN- UND TRANSPORTAUFKLEBER DARF DAS WERKSEITIG ANGEBRACHTE WARNSCHILD NICHT ÜBERDECKEN.

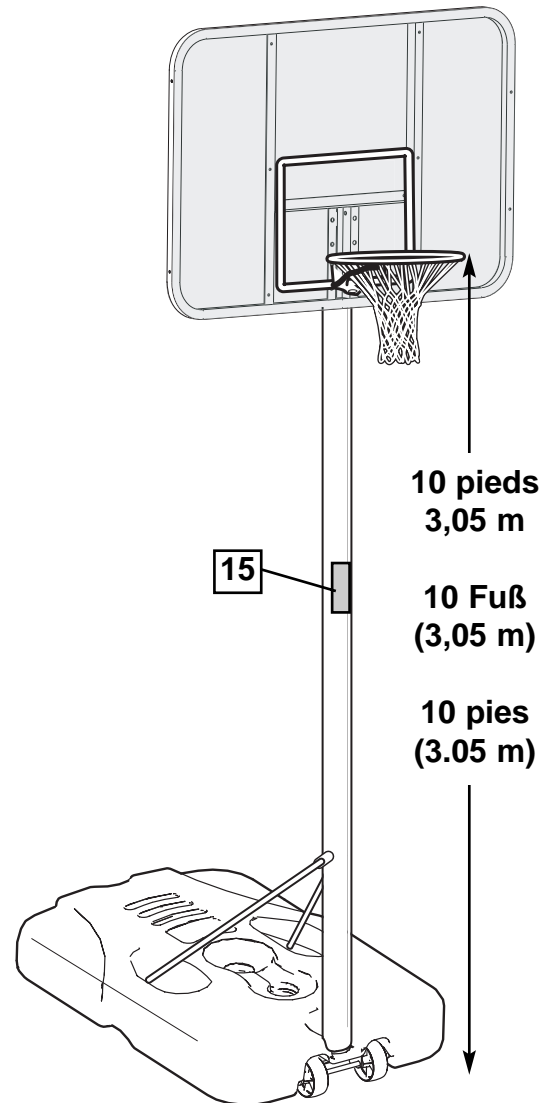
LA ETIQUETA DE AJUSTE DE LA ALTURA Y DE MOVIMIENTO NO DEBE OBSTRUIR LA ETIQUETA DE ADVERTENCIA DE LA FÁBRICA.

**AVERTISSEMENT!
WARNUNG!
¡ADVERTENCIA!**

INTERDISEZ À UN ENFANT DE RÉGLER LA HAUTEUR.

KINDERN DARF DAS VERSTELLEN DER HÖHE NICHT GESTATTET WERDEN.

NO PERMITA QUE LOS NIÑOS AJUSTEN LA ALTURA.



Free Manuals Download Website

<http://myh66.com>

<http://usermanuals.us>

<http://www.somanuals.com>

<http://www.4manuals.cc>

<http://www.manual-lib.com>

<http://www.404manual.com>

<http://www.luxmanual.com>

<http://aubethermostatmanual.com>

Golf course search by state

<http://golfingnear.com>

Email search by domain

<http://emailbydomain.com>

Auto manuals search

<http://auto.somanuals.com>

TV manuals search

<http://tv.somanuals.com>