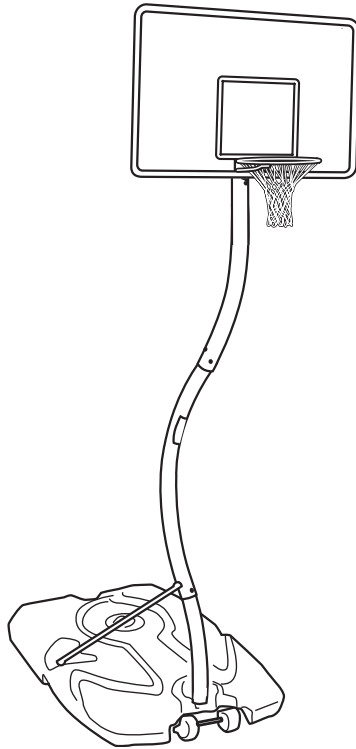


Portable System Owners Manual

Customer Service Center
• N53 W24700 South Corporate Circle • Sussex, WI 53089 • U.S.A.



REQUIRED TOOLS AND MATERIALS:

! WARNING!

READ AND UNDERSTAND OPERATOR'S MANUAL BEFORE USING THIS UNIT.

FAILURE TO FOLLOW OPERATING INSTRUCTIONS COULD RESULT IN INJURY OR DAMAGE TO PROPERTY.

<ul style="list-style-type: none"> • 2 People • Tape Measure • Wood Board (scrap) • Sawhorse or Support Table • Hammer • Step Ladder 8 ft. (2.4m) • Safety Glasses • Needle-Nose Pliers 	<ul style="list-style-type: none"> • (2 each) Wrenches <ul style="list-style-type: none"> 1/2" 9/16" 3/4" AND/OR (2) Socket Wrenches and Sockets • Extension • Phillips-Head Screwdriver 	<ul style="list-style-type: none"> • Garden Hose or Sand <ul style="list-style-type: none"> • Optional: Large & Small Adjustable Wrenches <ul style="list-style-type: none">
---	--	--

Toll-Free Customer Service Number for U.S: 1-800-558-5234,

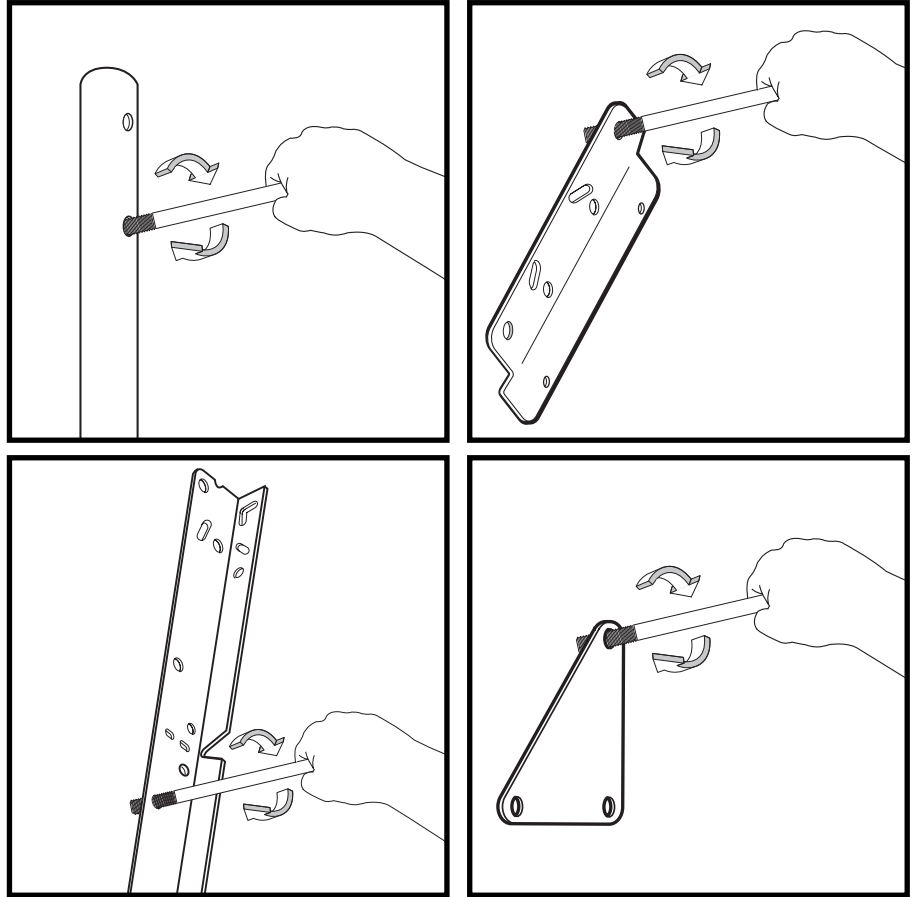
For Canada: 1-800-284-8339,

For Europe: 00 800 555 85234 (Sweden: 009 555 85234),

For Australia: 1-800-333 061

Internet Address: <http://www.huffysports.com>

BEFORE YOU START!



To ensure optimal playability of backboard system, a close tolerance fit between the elevator components and hardware is required. Test-fit large bolts into large holes of elevator tubes, backboard brackets, and triangle plates. Carefully rock them in a circular motion to ream out any excess paint from holes if necessary.

NOTE: Not all items pictured are included with every model.



WARNING

FAILURE TO FOLLOW THESE WARNINGS MAY RESULT IN SERIOUS INJURY AND/OR PROPERTY DAMAGE

Owner must ensure that all players know and follow these rules for safe operation of the system.

- DO NOT HANG on the rim or any part of the system including backboard, support braces, or net.
- During play, especially when performing dunk-type activities, keep player's face away from the backboard, rim and net. Serious injury could occur if teeth/face come in contact with backboard, rim, or net
- DO NOT slide, climb, shake, or play on base and/or pole.
- After assembly is complete, fill system completely with water or sand. Never leave system in an upright position without filling the base with weight, as system may tip over causing injuries.
- When adjusting height or moving system, keep hands and fingers away from moving parts.
- DO NOT allow children to move or adjust system.
- During play DO NOT wear jewelry (rings, watches, necklaces, etc.) Objects may entangle in net.
- Surface beneath the base must be smooth and free of gravel or other sharp objects. Punctures cause leakage and could cause system to tip over.
- Keep organic materials away from pole base. Grass, litter, etc. could cause corrosion and/or deterioration
- Check pole system for signs of corrosion (rust, pitting, chipping) and repaint with exterior enamel paint. If rust has penetrated through the steel anywhere, replace pole immediately.
- Check system before each use for proper ballast, loose hardware, excessive wear, and signs of corrosion; repair before use.
- Check system before each use for instability.
- DO NOT use system during windy and/or severe weather conditions; system may tip over. Place system in the storage position and/or in an area protected from the wind and free from personal property and/or overhead wires.
- Never play on damaged equipment.
- See instruction manual for proper installation and maintenance.
- When moving system, use caution to keep mechanism from shifting.
- Keep pole covered with cap at all times.
- Do not allow water in tank to freeze. During sub-freezing weather add 2 gallons of non-toxic antifreeze, sand or empty tank completely and store. (Do not use salt.)
- Use extreme caution if placing system on a sloped surface. System may tip over more easily.

SPALDING
In the U.S.: 1-800-xxx-xxxx
Canada: 1-800-xxx-xxxx

HYDRA-RIB
In the U.S.: 1-800-xxx-xxxx
Canada: 1-800-xxx-xxxx

RUSSELL
ATHLETIC

SURE SHOT
In the U.S.: 1-800-xxx-xxxx
Canada: 1-800-xxx-xxxx

HUFFY SPORTS
In the U.S.: 1-800-xxx-xxxx
Canada: 1-800-xxx-xxxx

ID# 57300S 12/05



SAFETY INSTRUCTIONS



FAILURE TO FOLLOW THESE SAFETY INSTRUCTIONS MAY RESULT IN SERIOUS INJURY OR PROPERTY DAMAGE AND WILL VOID WARRANTY.

Owner must ensure that all players know and follow these rules for safe operation of the system.

To ensure safety, do not attempt to assemble this system without following the instructions carefully. Check entire box and inside all packing material for parts and/or additional instruction material. Before beginning assembly, read the instructions and identify parts using the hardware identifier and parts list in this document. Proper and complete assembly, use, and supervision are essential for proper operation and to reduce the risk of accident or injury. A high probability of serious injury exists if this system is not installed, maintained, and operated properly.

- If using a ladder during assembly, use extreme caution.
- Check base regularly for leakage. Slow leaks could cause the system to tip over unexpectedly
- Seat the pole sections properly (if applicable). Failure to do so could allow the pole sections to separate during play and/or during transport of the system.
- Climate, corrosion or misuse could result in system failure.
- If technical assistance is required, contact Customer Service.
- Minimum operational height is 6'-6" (1.98m) to the bottom of backboard.

Most injuries are caused by misuse and/or not following instructions.

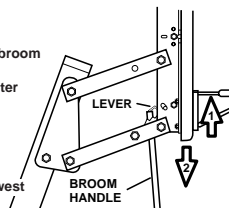
Use caution when using this unit.

23

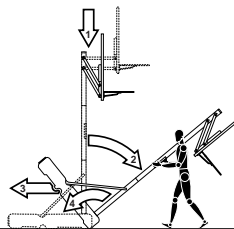
HEIGHT ADJUSTMENT

TO ADJUST BACKBOARD:

1. **TO RAISE BACKBOARD:**
Slowly push up on the rim with broom handle or wooden dowel, 3/4 - 7/8 (19mm - 22mm) diameter as shown to engage locking mechanism at desired height.
2. **TO LOWER BACKBOARD:**
Push lever up to unlock and carefully lower backboard to lowest position.



MOVING SYSTEM



1. Adjust basketball backboard height to lowest position.
2. While holding pole, rotate basketball system forward until wheels engage with ground.
3. Move basketball system to desired location.
4. Carefully rotate basketball system upright.
5. Reattach ground restraint and check system for stability.

201257 3/99



Questions or Missing Parts?

DON'T go back to store!

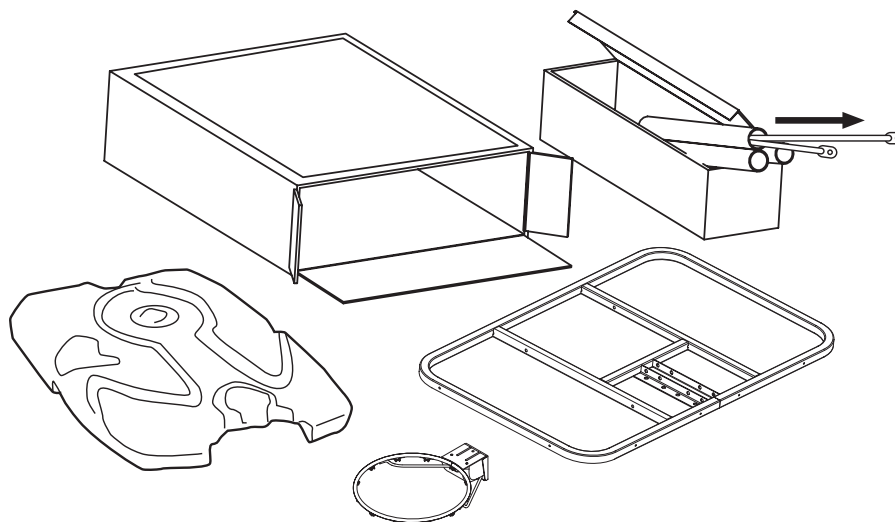
**Call TOLL-FREE Customer Service
Number listed on the front page!**

NOTICE TO ASSEMBLERS

ALL Basketball Systems, including those used for DISPLAYS, MUST be assembled and ballasted with sand or water according to the instructions. Failure to follow instructions could result in SERIOUS INJURY. It is NOT acceptable to devise a makeshift weight system.

IMPORTANT!

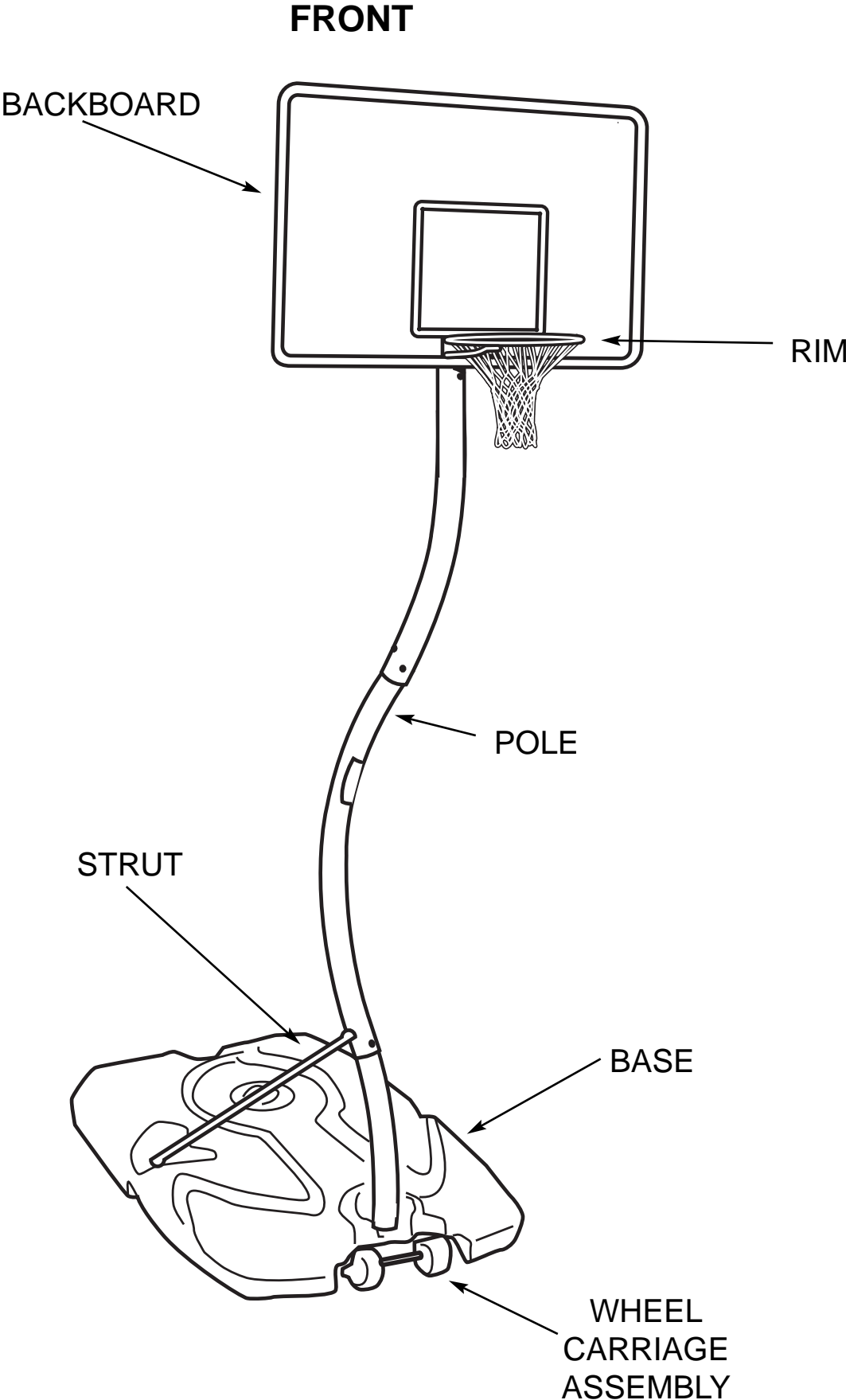
**Remove all contents from boxes.
Be sure to check inside pole sections;
hardware and additional parts are packed inside.**



WARRANTY CARD:

Please remember to complete your product registration form either on-line at:
www.huffysports.com/customer_support/product_registration
or mail-in the enclosed postcard.

For more information on assembly, placement, proper use, and maintenance, visit The American Basketball Council website at <http://www.smarthoops.com>.



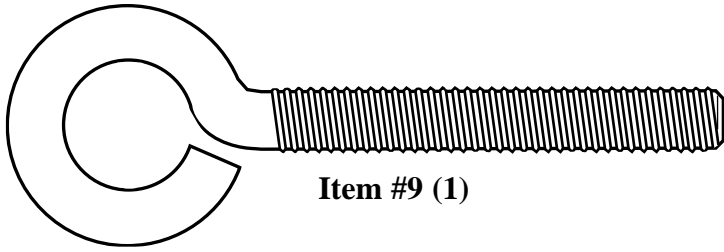
PARTS LIST - (See Hardware Identifier)

<u>Item</u>	<u>Qty.</u>	<u>Part No.</u>	<u>Description</u>
1	1	206657	Tank, (Black)
2	1	200628	Wheel Axle
3	2	226401	Wheel, 4" (Black)
4	2	203617	Plug Cap
5	1	908071	Top S-Pole Section
6	1	90807201	Middle S-Pole Section
7	1	908073	Bottom S-Pole Section
8	1	202820	Rod, 3/8 O.D. x 4-3/4" Long
9	1	202822	Eyebolt, 3/8-16 x 2-1/2" Long
10	1	200627	Wheel Bracket
11	4	201651	Spacer .500 I.D. x .25" Long
12	6	203063	Nylon Insert Lock Nut, 3/8-16
13	1	202587	Spacer, .530 I.D. x 1" Long
14	6	202201	Washer, Curved, 1/2" I.D.
15	2	908074	Tank Strut
16	4	202199	Nut, Sleeve, Allen Head, 5/16-18
17	4	202197	Bolt, Allen Head, 5/16-18 x 3" Long
18	6	205528	Bolt, Hex Flange, 5/16-18 x 1" Long
19	6*	203218	Washer, Flat, 3/8 I.D.
20	8*	203100	Nut, Hex Flange, 5/16-18
21	2	202294	Allen Wrench 6 mm
22	4	204961	Bolt, Hex 3/8-16 x .625 Long
23	1	201257	Label, Height Adjustment and Moving
24	3	206360	Bolt, Hex 3/8-16 x 2.65" Long
25	2	90096401	Backboard Bracket
26	1	201129	Spacer .402 I.D. x 0.50 O.D. x 1.75" Long
27	1	201160	Pawl Lever
28	4	902838	Elevator Tubes
29	4	201642	Spacer .530 I.D. x 0.50 O.D. x 0.63" Long
30	5	206304	Bolt 1/2-13 x 6-5/16 Long
31	1	201159	Ratchet
32	5	206340	Nut 1/2-13
33	1	206305	Clevis Pin 1/4 x 2-9/32" Long
34	2	206303	Washer 1/4 Flat
35	1	201125	Return Ratchet Spring
36	1	203796	T-Bolt, 3/8-16 x 5" Long
37	1	900033	Bracket Slam Jam
38	1	206219	Cap, Pole Top 3"
39	1		Rim
40	1	200318	Bracket, Reinforcement, Slam Jam
41	1	203472	Spring, Black, Slam Jam
42	1	203470	Washer Flat, Slam Jam
43	1	203795	Nut, Special, Slam Jam
44	1		Net

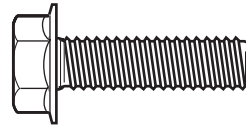
NOTE: Hardware kit is designed for more than one style of basketball system. Not all hardware will be used.

* YOU MAY HAVE EXTRA PARTS WITH THIS MODEL.

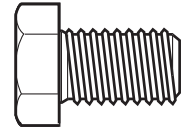
HARDWARE IDENTIFIER (BOLTS)



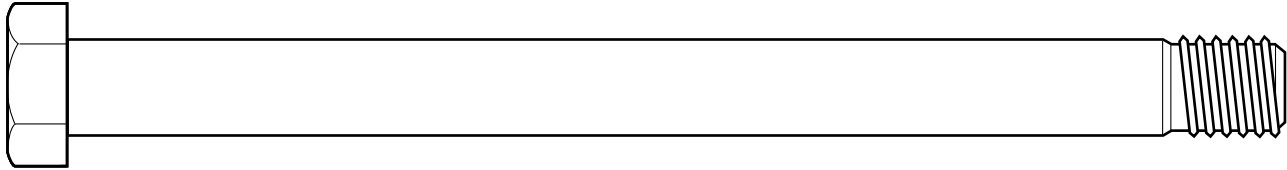
Item #9 (1)



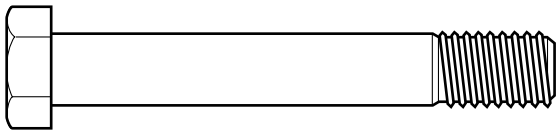
Item #18 (6)



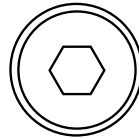
Item #22 (4)



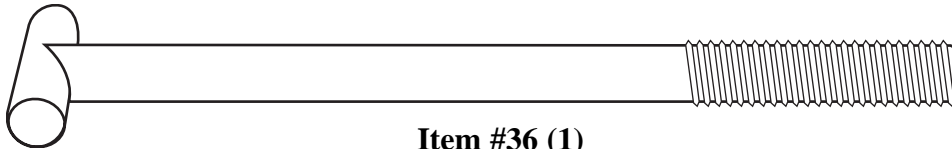
Item #30 (5)



Item #24 (3)

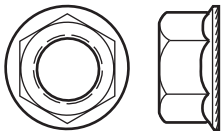


Item #17 (4)

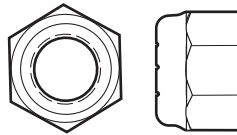


Item #36 (1)

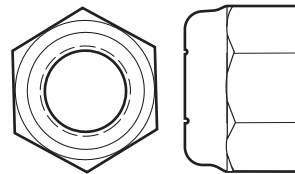
HARDWARE IDENTIFIER (NUTS & SPRINGS)



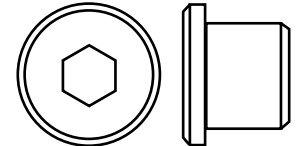
Item #20 (8)*



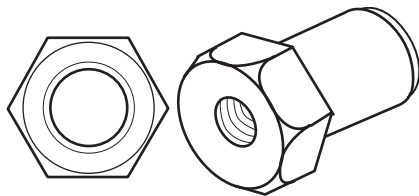
Item #12 (6)



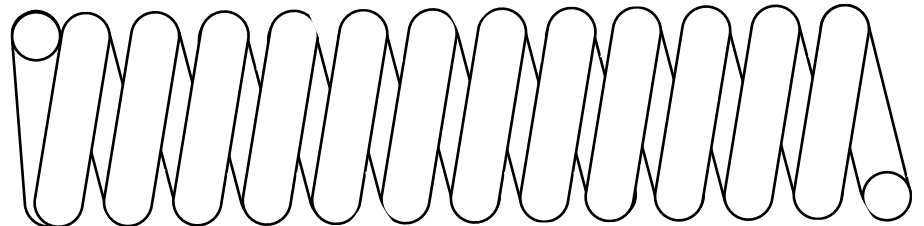
Item #32 (5)



Item #16 (4)



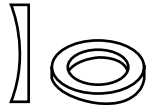
Item #43 (1)



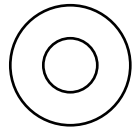
Item #41 (1)

* You may have extra parts with this model.

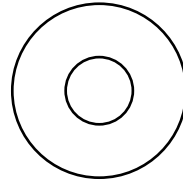
HARDWARE IDENTIFIER (WASHERS)



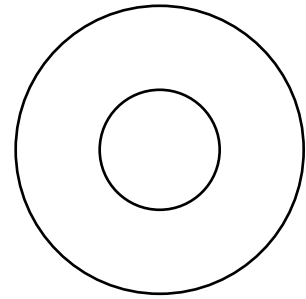
Item #14 (6)



Item #34 (2)

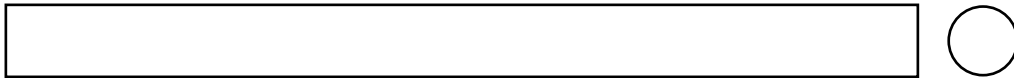


Item #19 (6)*



Item #42 (1)

HARDWARE IDENTIFIER (STEEL SPACERS & RODS)

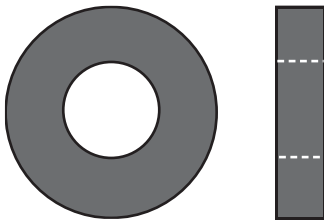


Item #8 (1)

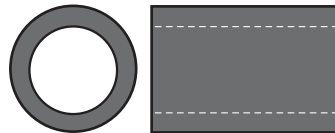


Item #26 (1)

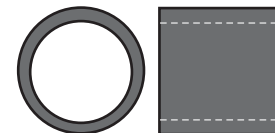
HARDWARE IDENTIFIER (PLASTIC SPACERS & CLIPS)



Item #11 (4)

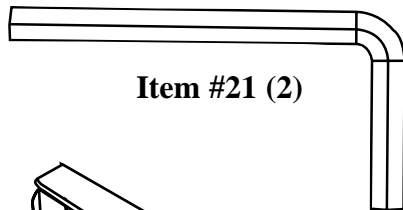


Item #13 (1)

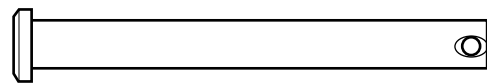


Item #29 (4)

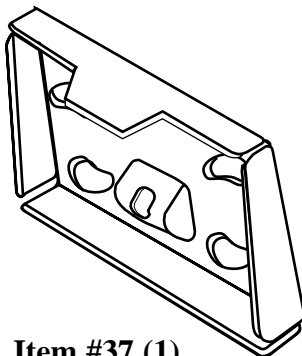
HARDWARE IDENTIFIER (OTHER)



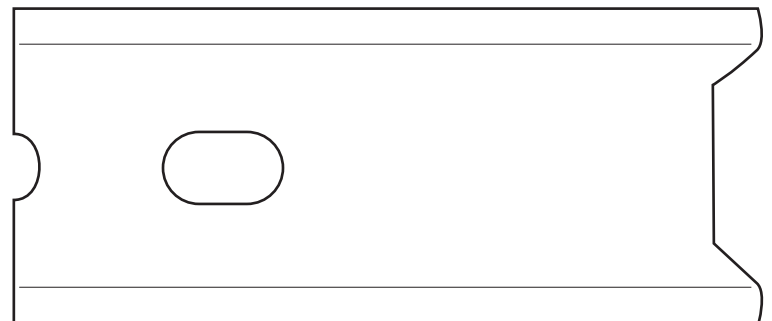
Item #21 (2)



Item #33 (1)



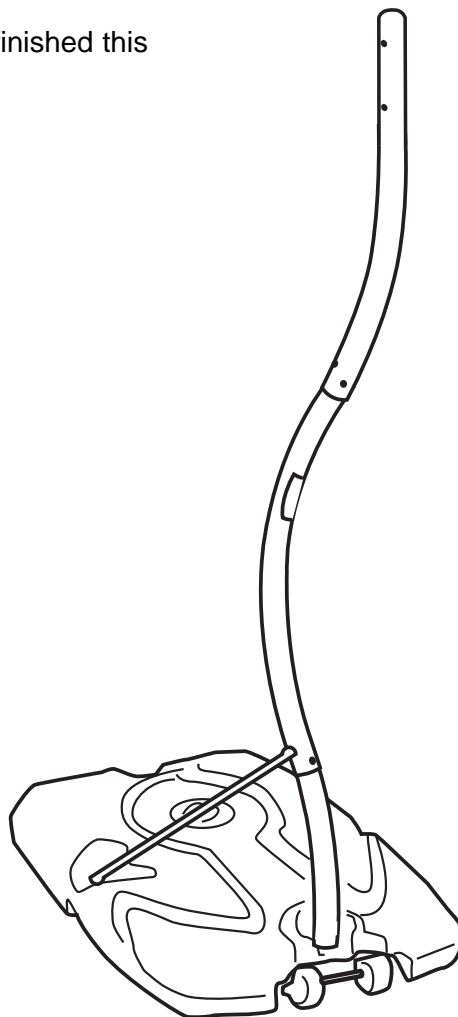
Item #37 (1)



Item #40 (1)

SECTION A: ASSEMBLE THE BASE

This is what your system will look like when you've finished this section:



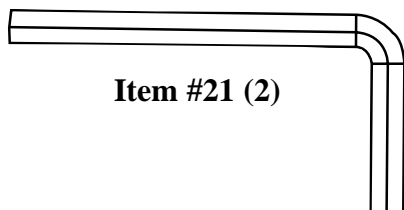
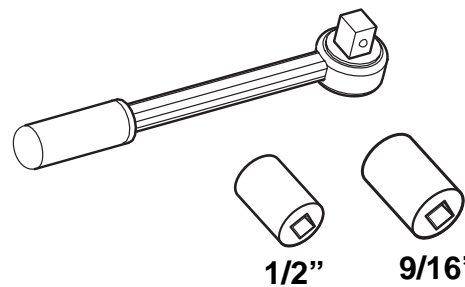
TOOLS REQUIRED FOR THIS SECTION

(2) 1/2" and (2) 9/16" Wrenches



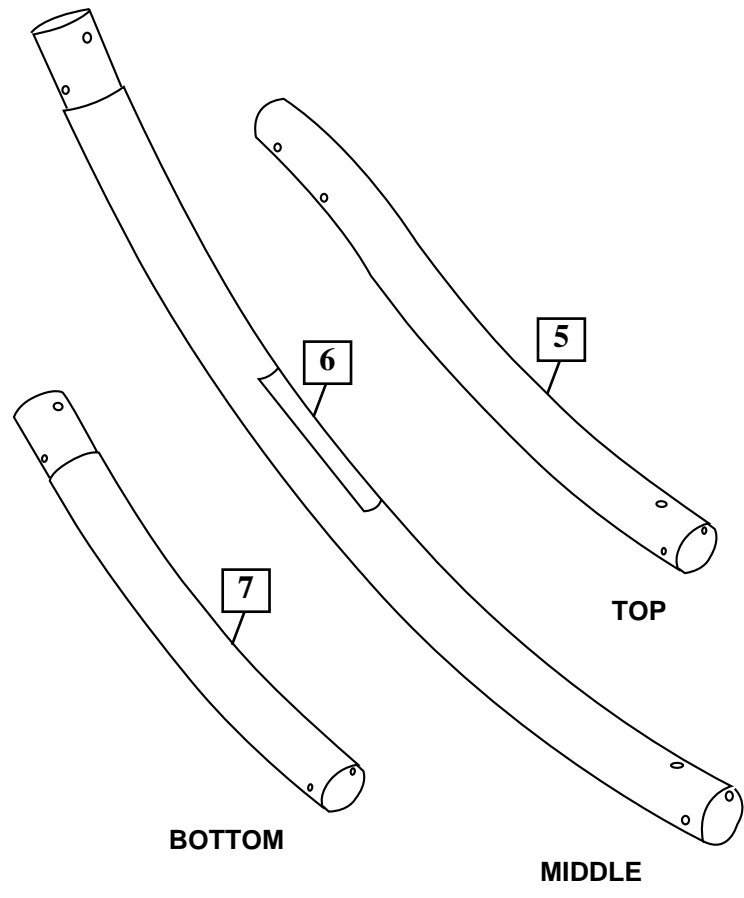
AND/OR

(2) Socket Wrenches and Sockets

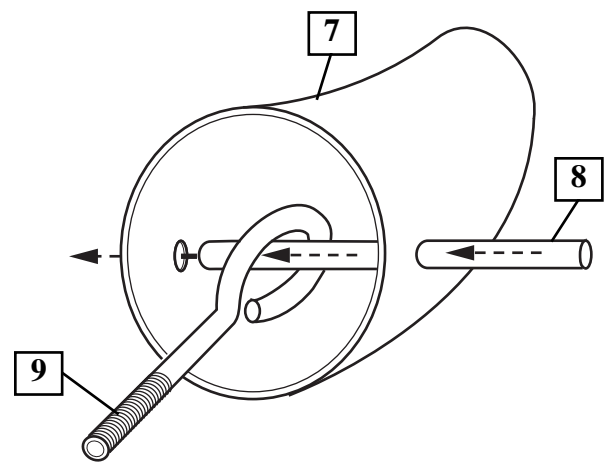


Item #21 (2)

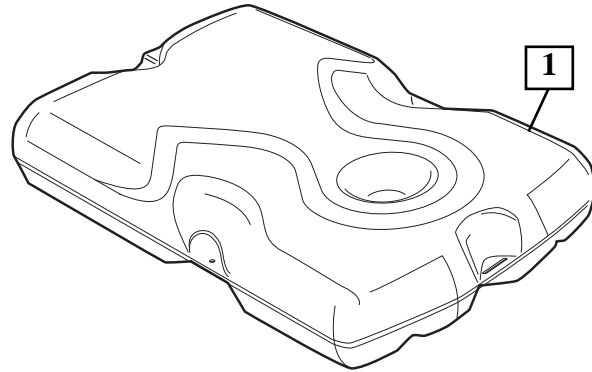
1. Correctly identify each pole section as labeled.



2. Install rod (8) through holes in bottom pole section (7) and eyebolt (9).



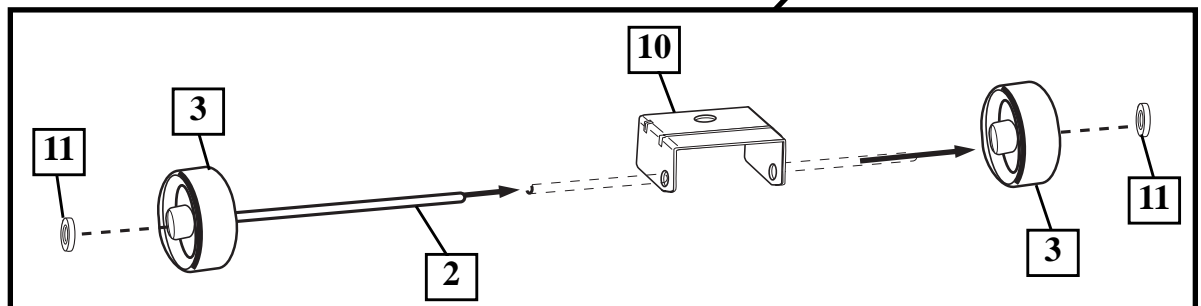
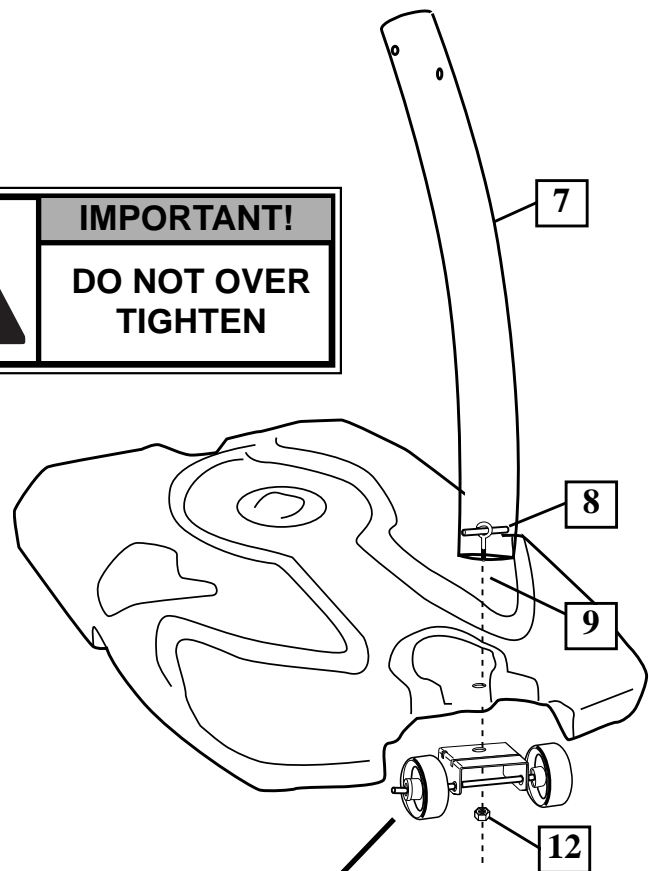
3. Remove contents from around the tank. Install wheel axle (2) through wheel carriage (10). Install wheels (3) onto wheel axle (2) with spacers (11) as shown. Insert pole assembly into tank assembly as shown. Secure bottom pole (7) to tank and wheel bracket as shown, a deep socket is recommended.



	! WARNING!
	TWO PEOPLE REQUIRED FOR THIS PROCEDURE. FAILURE TO FOLLOW THIS WARNING COULD RESULT IN SERIOUS INJURY AND/OR PROPERTY DAMAGE.

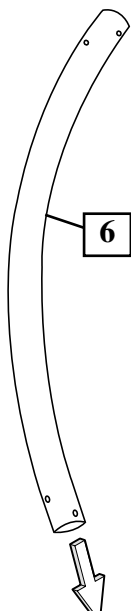
	IMPORTANT!
	DO NOT OVERTIGHTEN

IMPORTANT!
THE SPACER (11) WILL FIT LOOSELY UNTIL SECURED INTO THE CAVITY OF THE BASE.

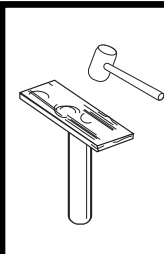


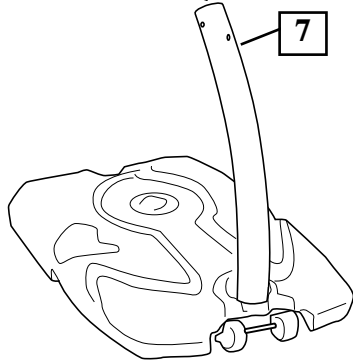
4.

Attach middle section of pole (6) onto bottom section of pole (7). Align holes in middle pole (6) with hole pattern on bottom pole (7).

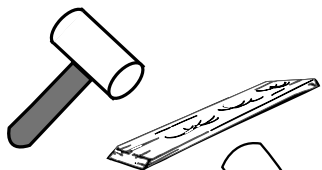


6

	<p>NOTE:</p> <p>You may need to <u>LIGHTLY</u> tap end of pole to align holes. Use wood scrap and hammer (not supplied).</p>
---	---

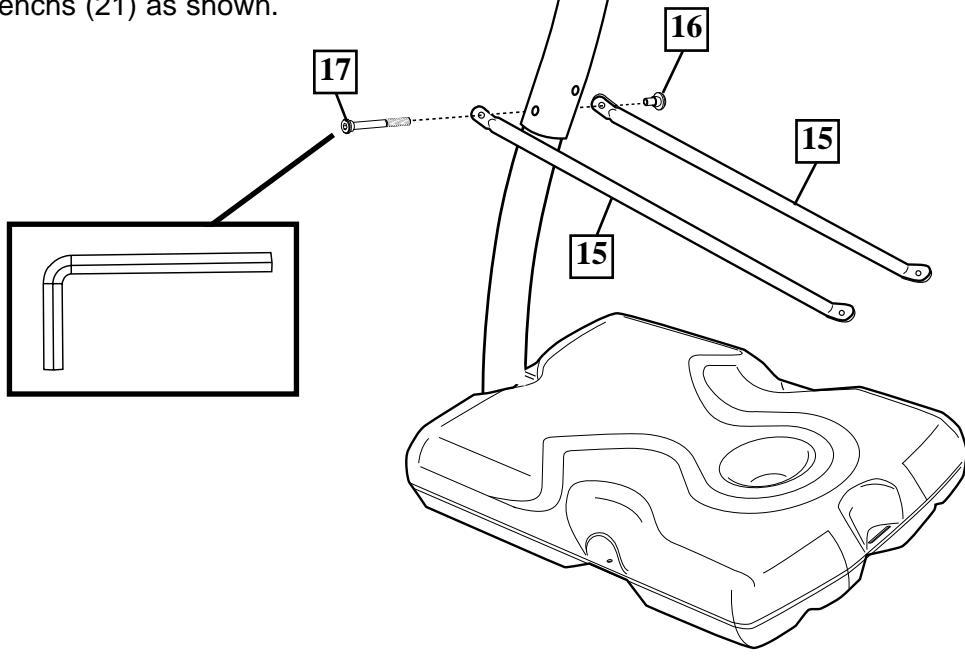


7



5.

Secure struts (15) to poles by using bolt (17) & sleeve nut (16) with supplied allen wrenchs (21) as shown.



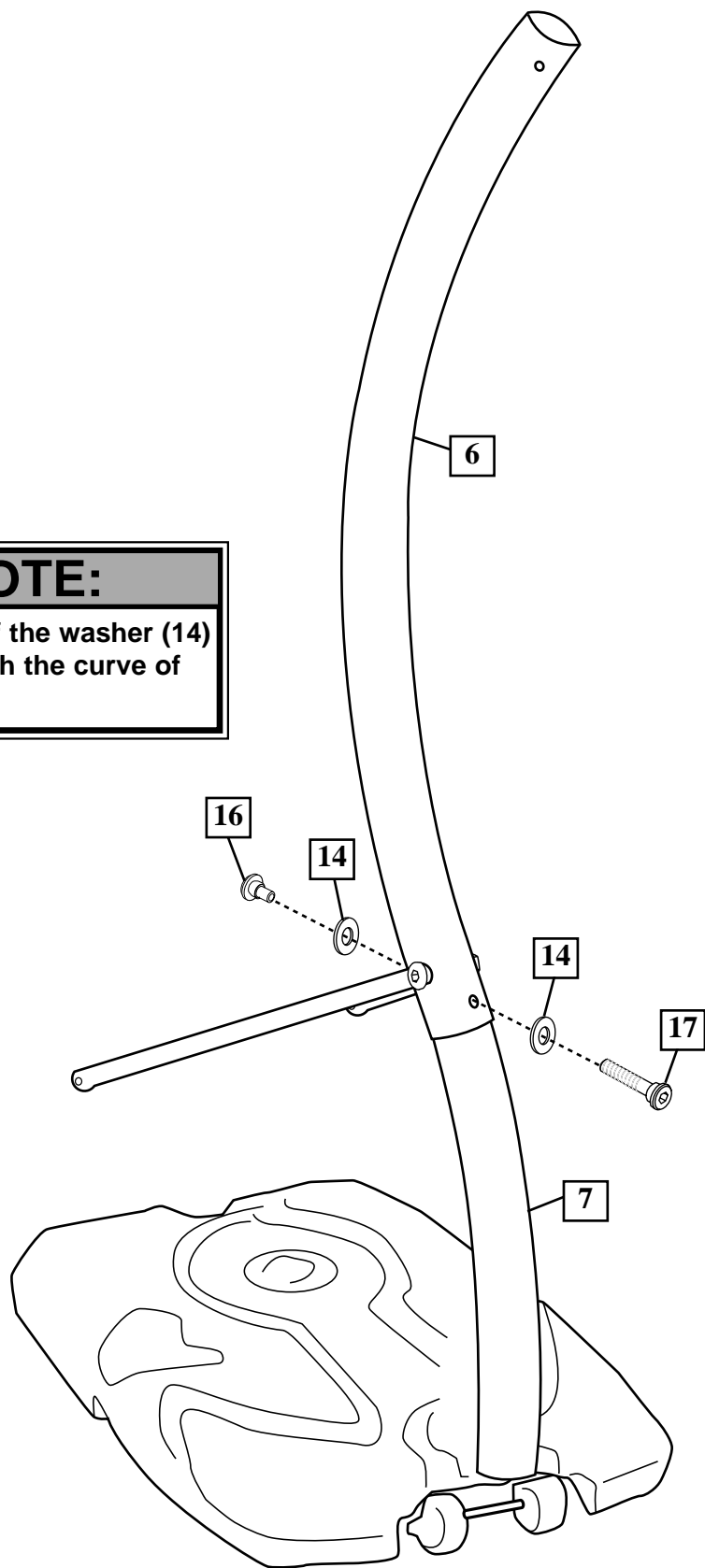
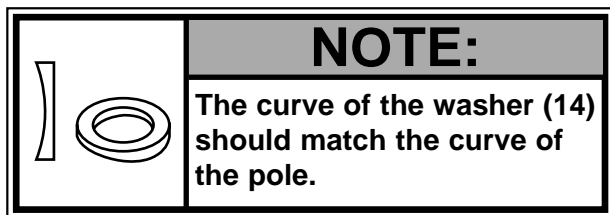
17

16

15

15

6. Secure poles by attaching bolt (17), washers (14), and sleeve nuts (16) as shown.

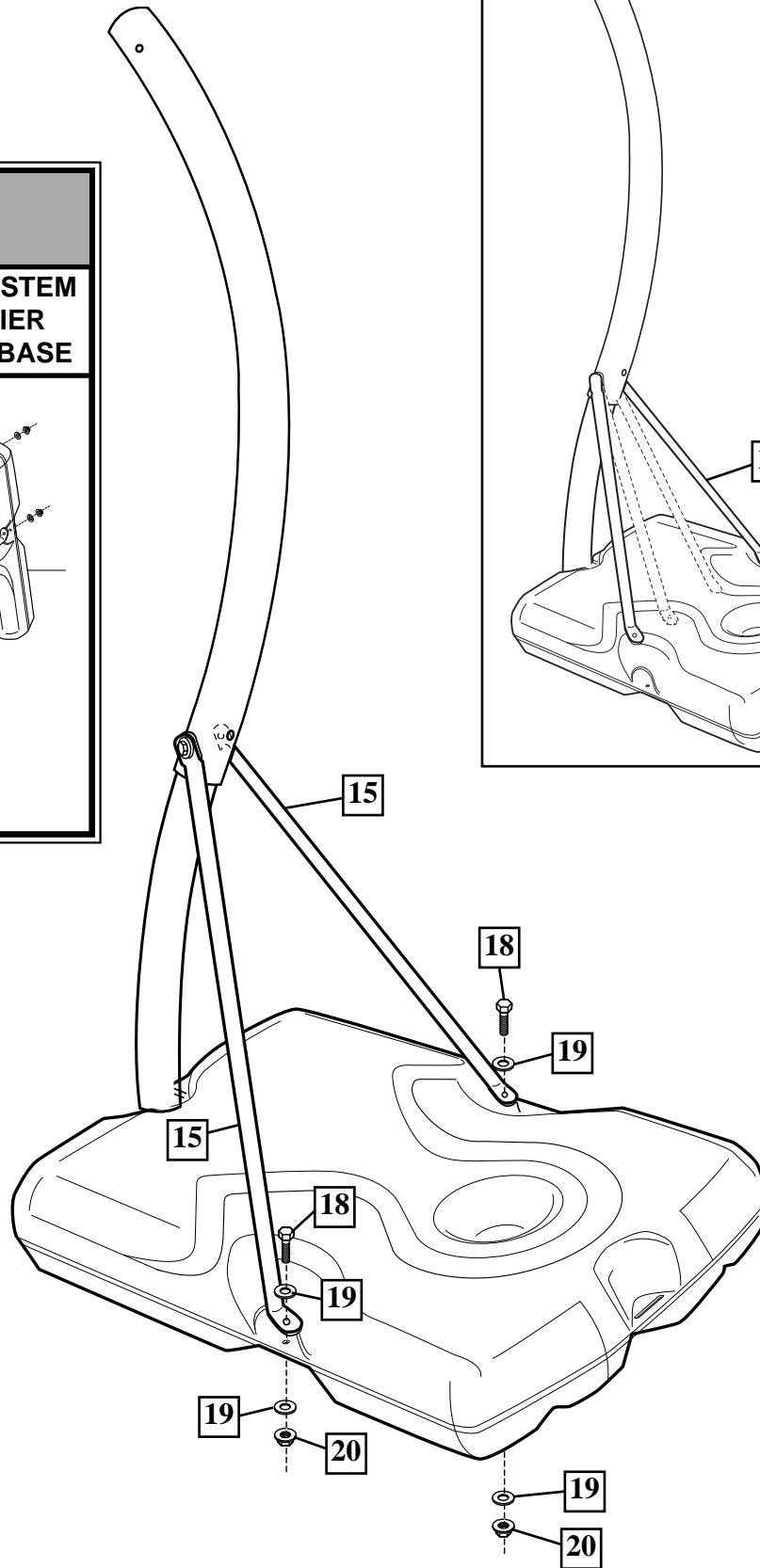
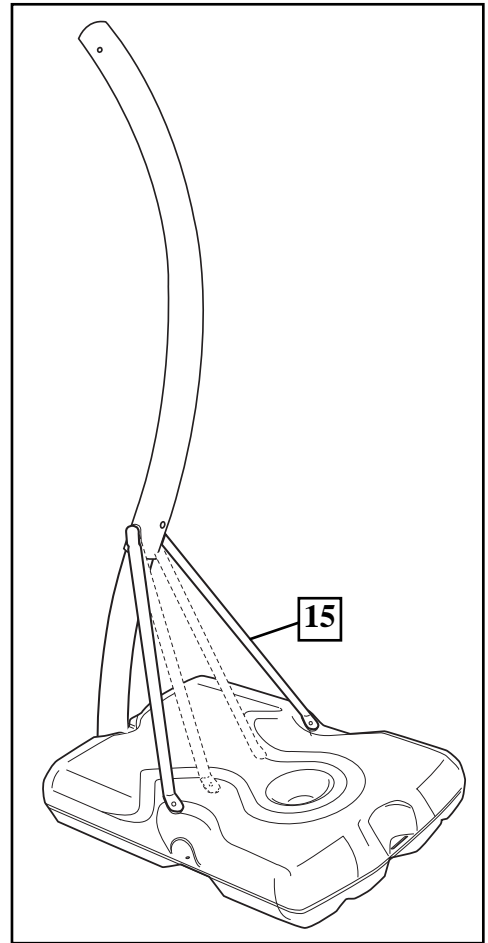
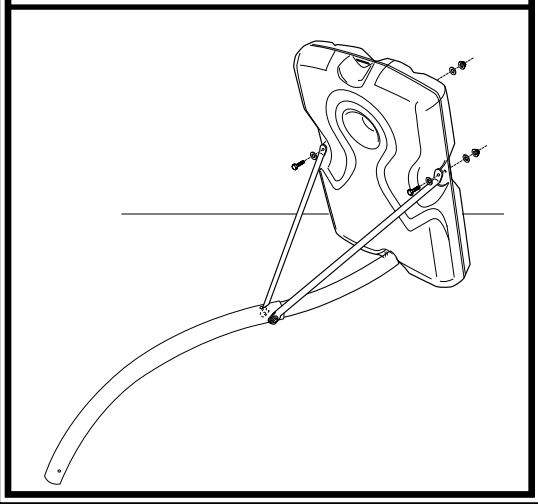


- 7.** Rotate the non-secured ends of base struts (15) as shown. Secure base struts (15) to base using bolts (18), washers (19), and nuts (20).

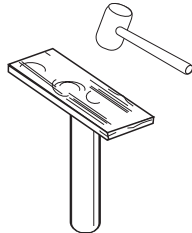


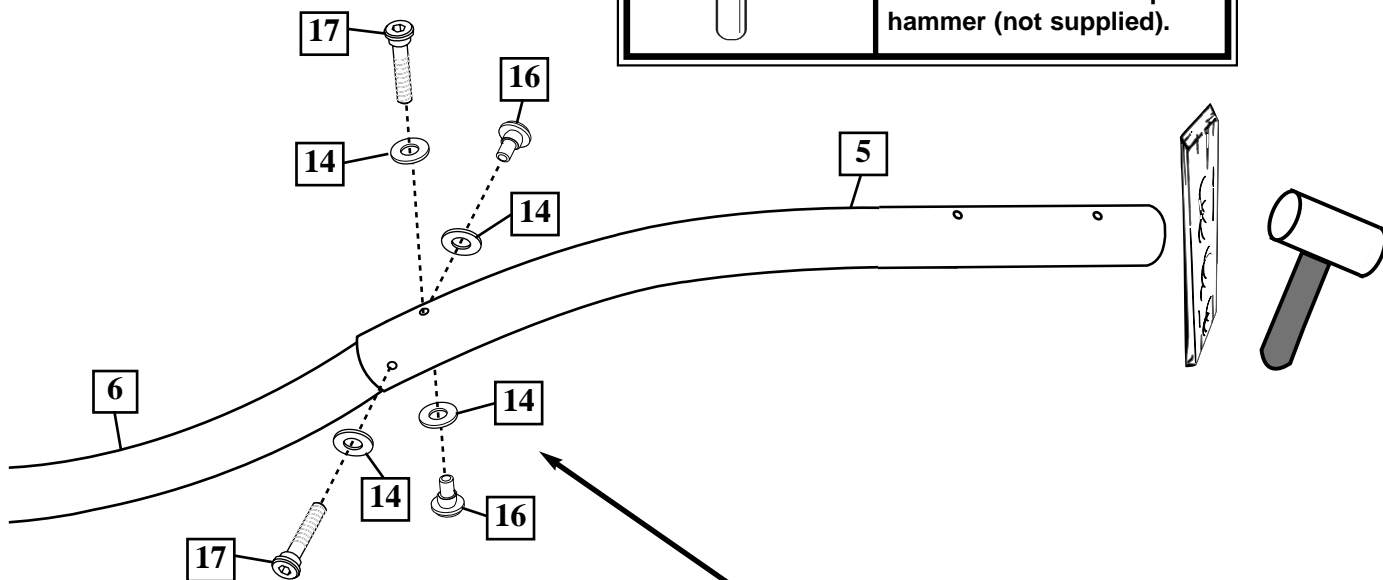
NOTE:

CAREFULLY TIPPING THE SYSTEM FORWARD WILL ALLOW EASIER ACCESS TO UNDERSIDE OF BASE

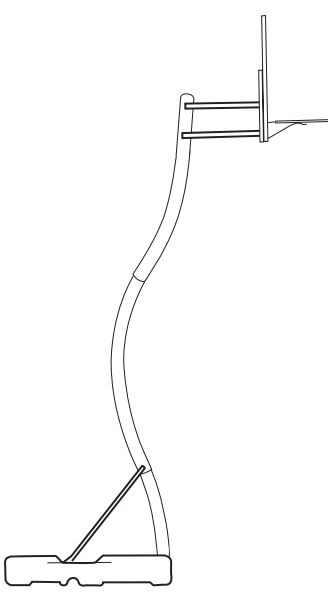


- 8.** Support pole on sawhorse. Attach upper section of pole (5) to middle section of pole (6) using bolts (17), washers (14), and nuts (16) as shown.

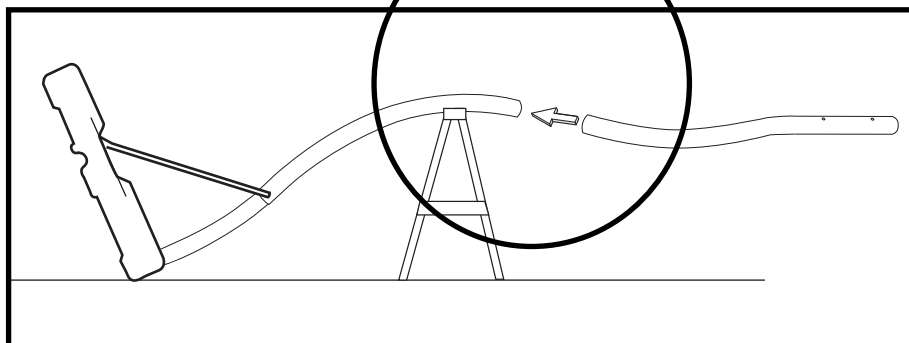
	NOTE: You may need to <u>LIGHTLY</u> tap end of pole to align holes. Use wood scrap and hammer (not supplied).
---	--



IMPORTANT!

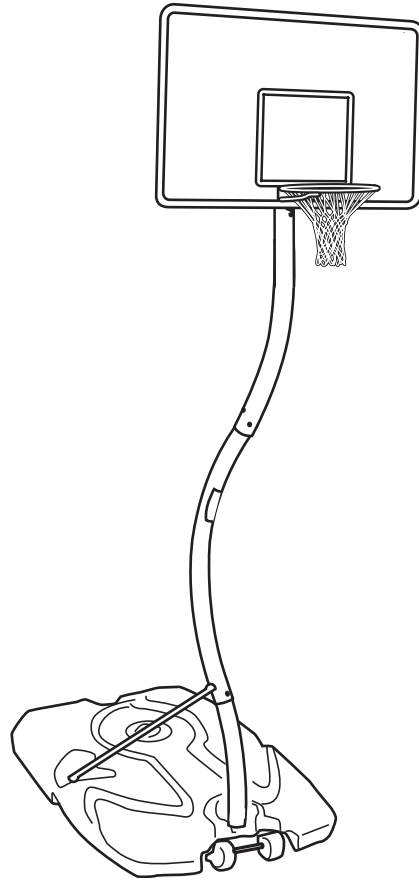


THE POLE NEEDS TO FACE IN THE POSITION REFERENCED HERE.



SECTION B: ATTACH THE BACKBOARD

This is what your system will look like when you've finished this section:



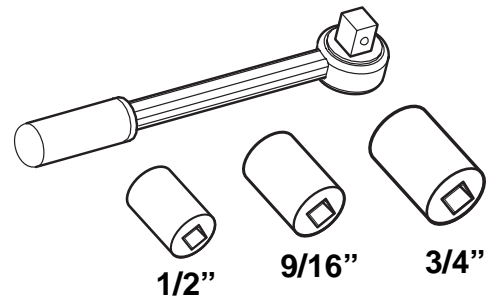
TOOLS REQUIRED FOR THIS SECTION

(2) 1/2", (2) 9/16" AND (2) 3/4" Wrenches

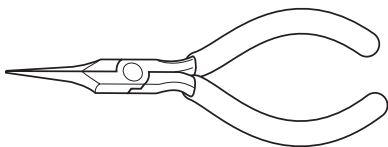


(2) Socket Wrenches and Sockets

AND/OR

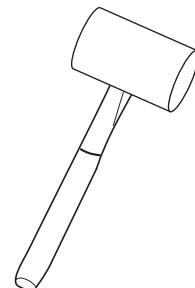


Needle-Nose Pliers

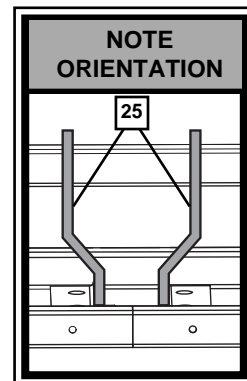
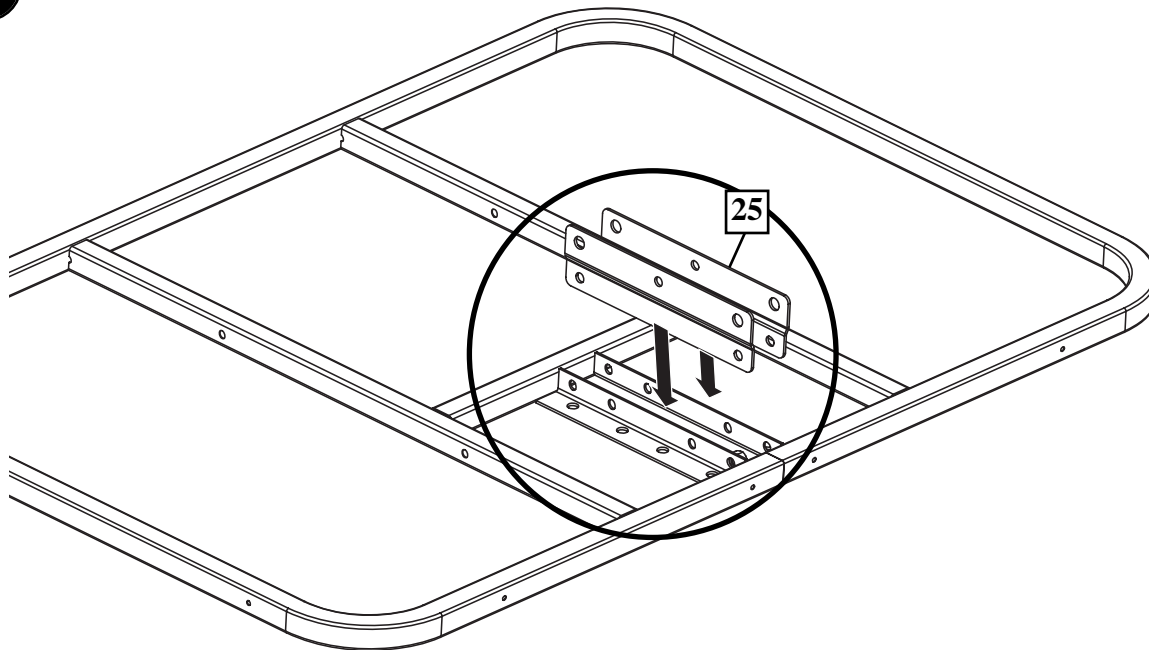


Hammer or Mallet

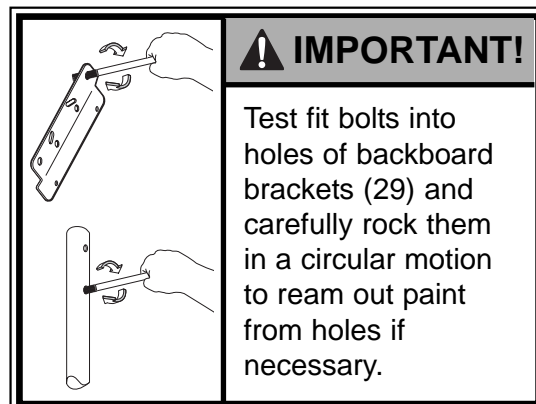
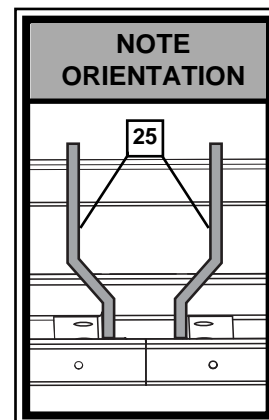
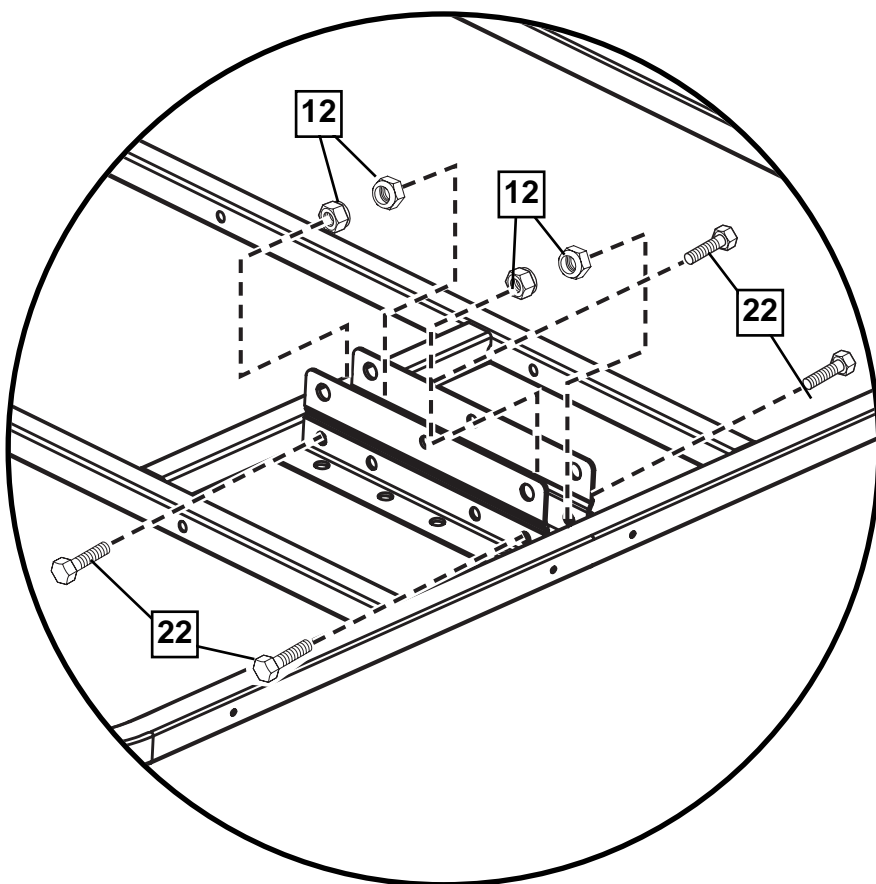
AND



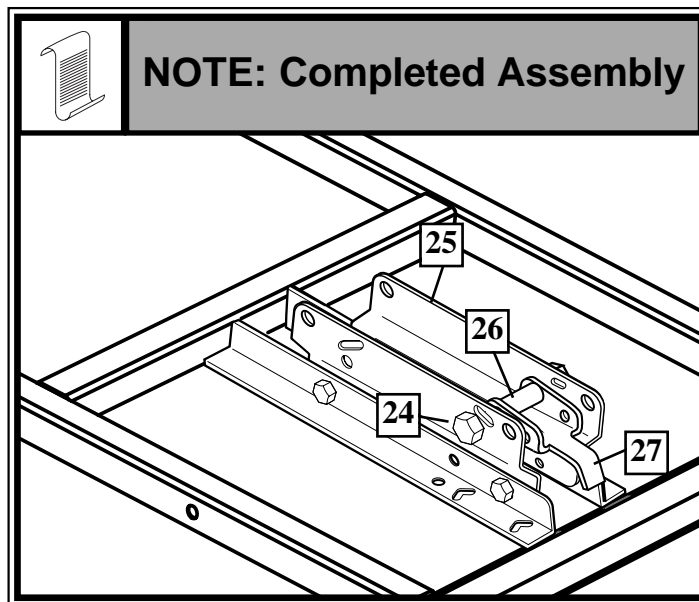
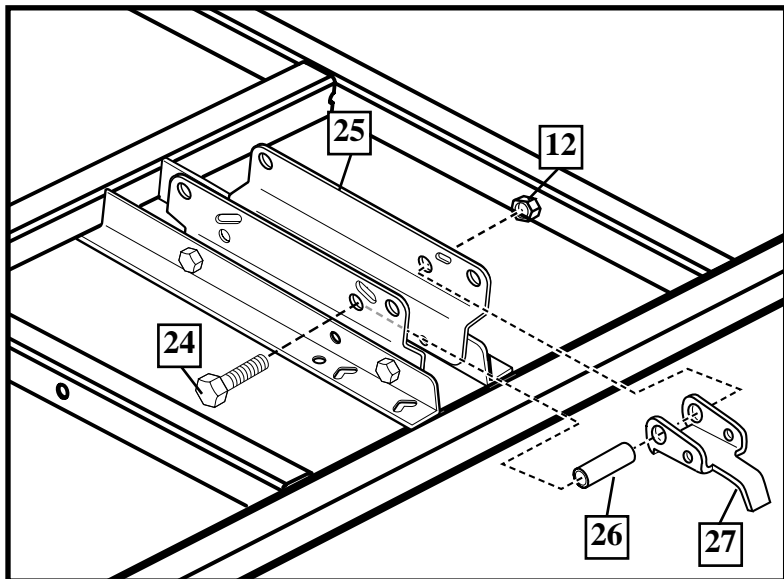
1. Place backboard brackets (25) inbetween backboard struts as shown.



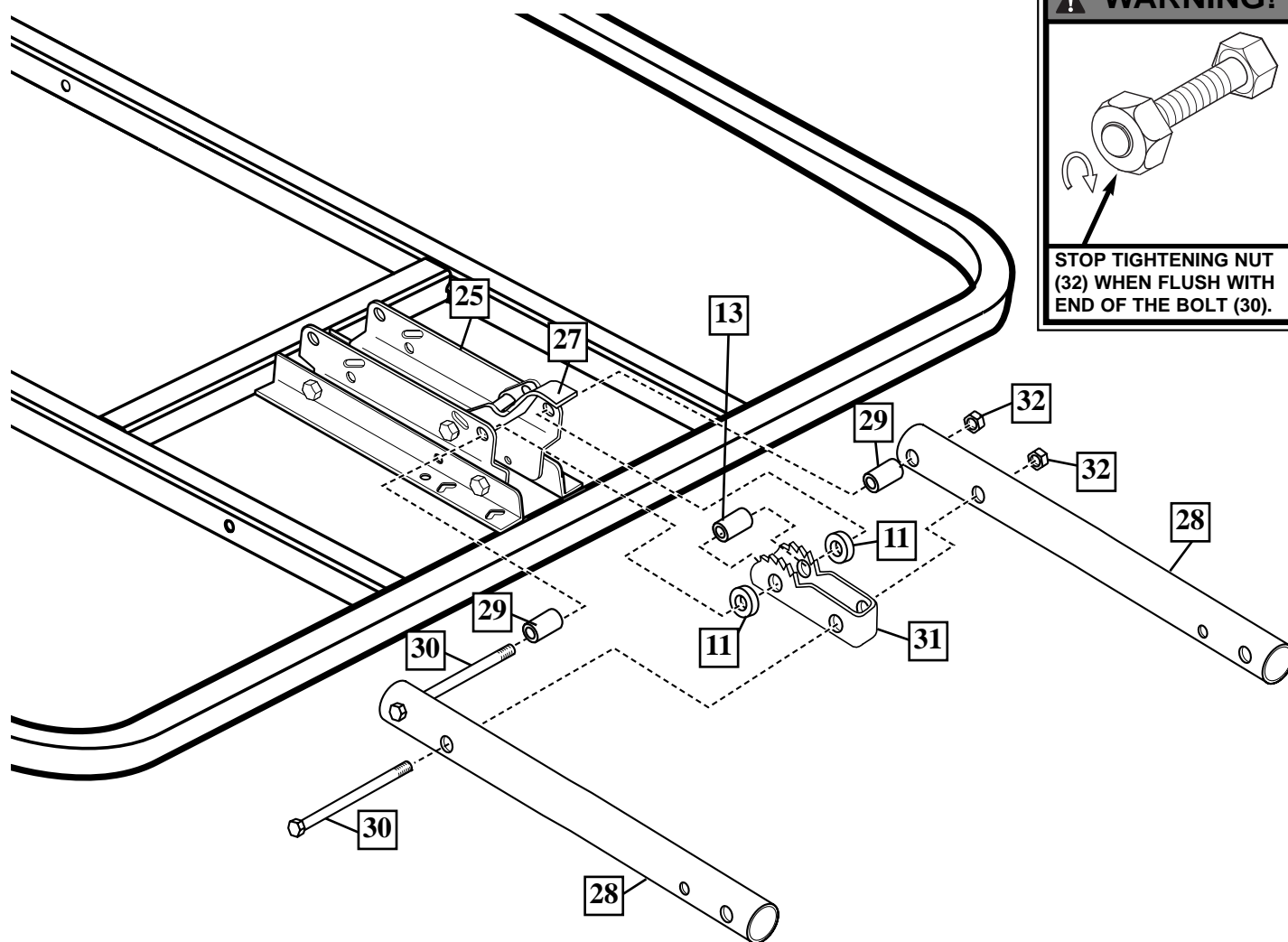
2. Assemble backboard brackets (25) using bolts (22), and nuts (12) as shown.



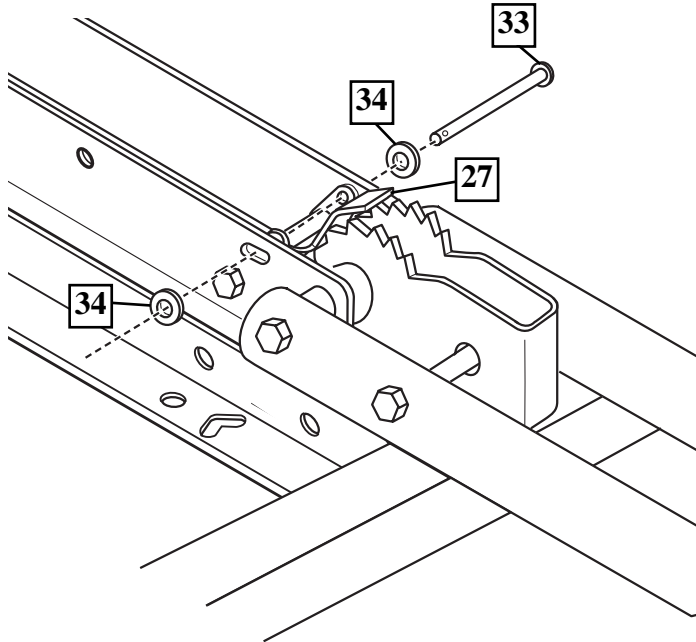
- 3.** Fit spacer (26) into pawl (27). Then insert pawl assembly between backboard brackets (25) and secure with bolt (24) and nut (12).



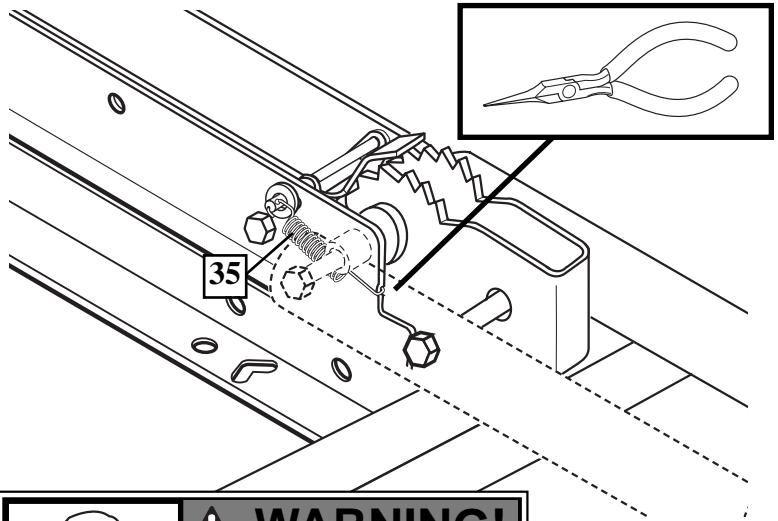
- 4.** Attach lower elevator tubes (28) to backboard brackets (25) using spacers (29 & 11), bolts (30) spacer (13) ratchet (31), and nuts (32) as shown.



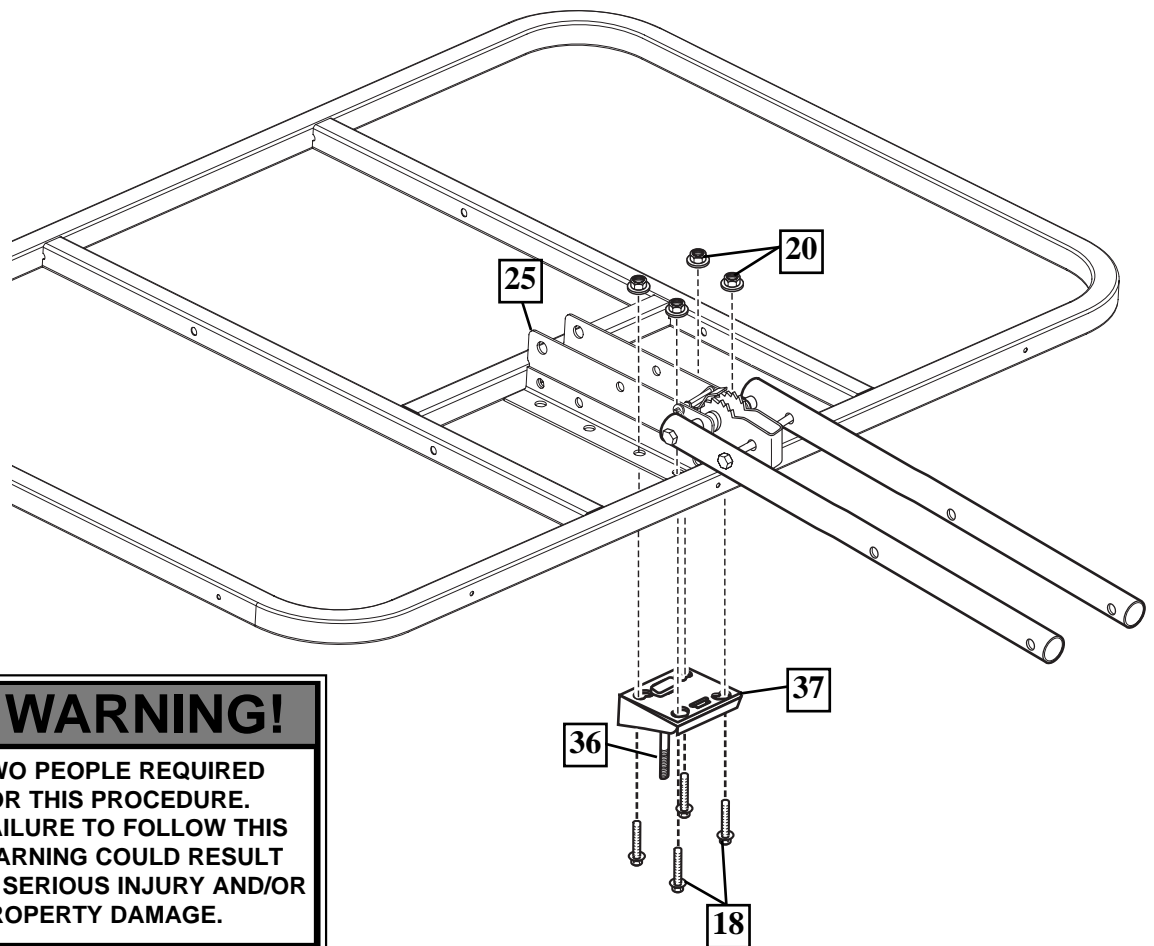
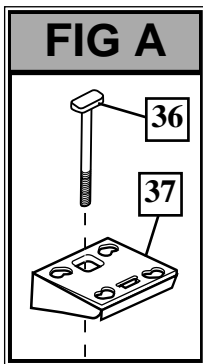
5. Secure pawl (27) in place with clevis pin (33) and washers (34).



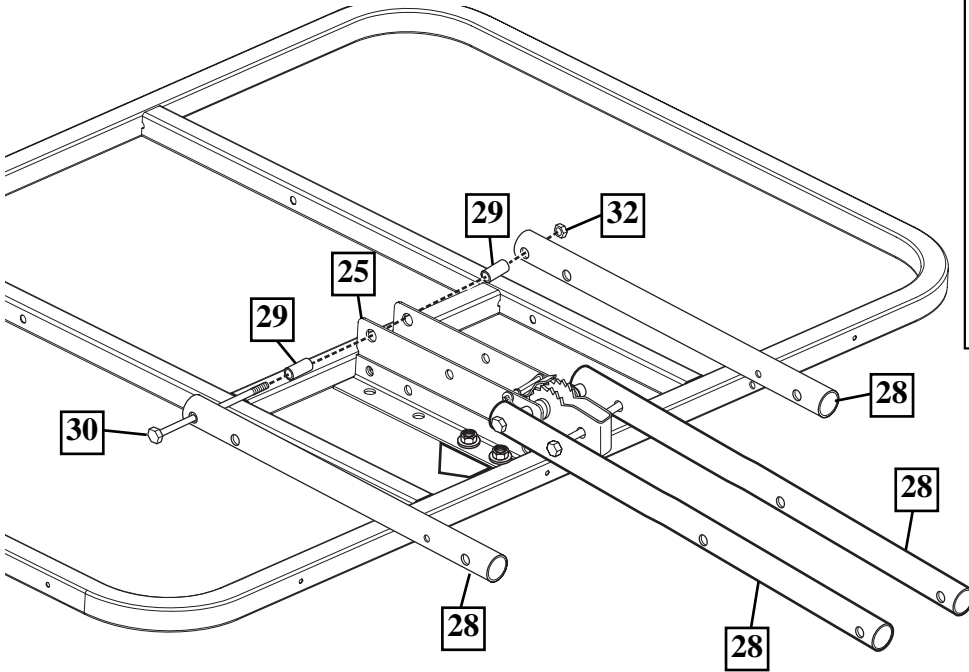
6. Hook one end of the spring (35) into hole of clevis pin (33). Stretch spring (35) and hook it into the notch of the bracket with pliers.



7. Insert "T" bolt (36) through Slam Jam bracket (37) as shown in FIG. A. Attach Slam Jam bracket and "T" bolt assembly (37 & 36) to backboard using bolts (18) and nuts (20) as shown.



- 8.** Attach upper elevator tubes (28) to backboard brackets (25) using spacers (29), bolt (30), and nut (32) as shown.



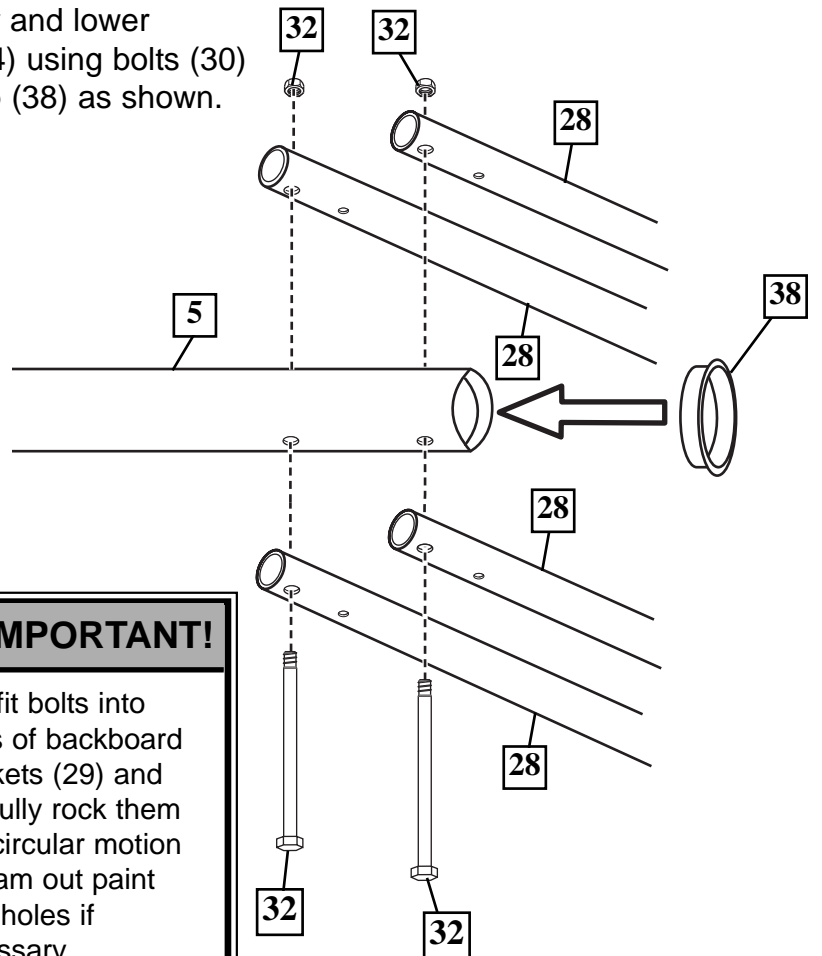
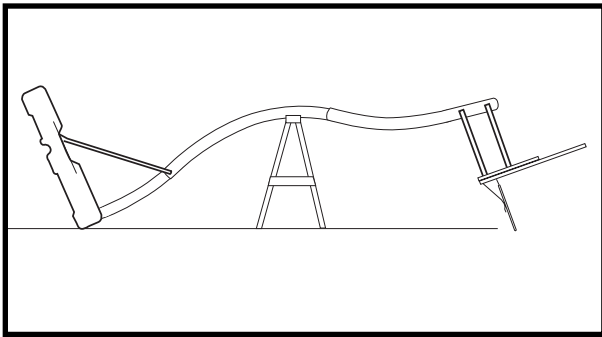
! IMPORTANT!

Test fit bolts into holes of backboard brackets (29) and carefully rock them in a circular motion to ream out paint from holes if necessary.

! WARNING!

TWO PEOPLE REQUIRED FOR THIS PROCEDURE. FAILURE TO FOLLOW THIS WARNING COULD RESULT IN SERIOUS INJURY AND/OR PROPERTY DAMAGE.

- 9.** Support pole on sawhorse. Attach upper and lower elevator tubes (28) to top pole section (4) using bolts (30) and nuts (32) as shown. Attach pole cap (38) as shown.



! WARNING!

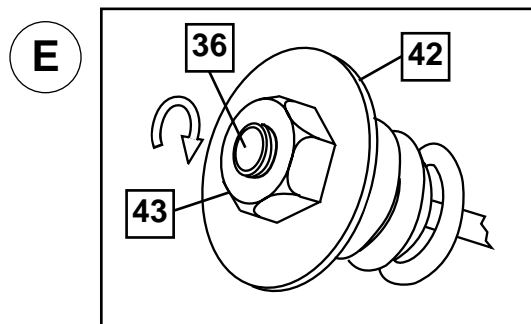
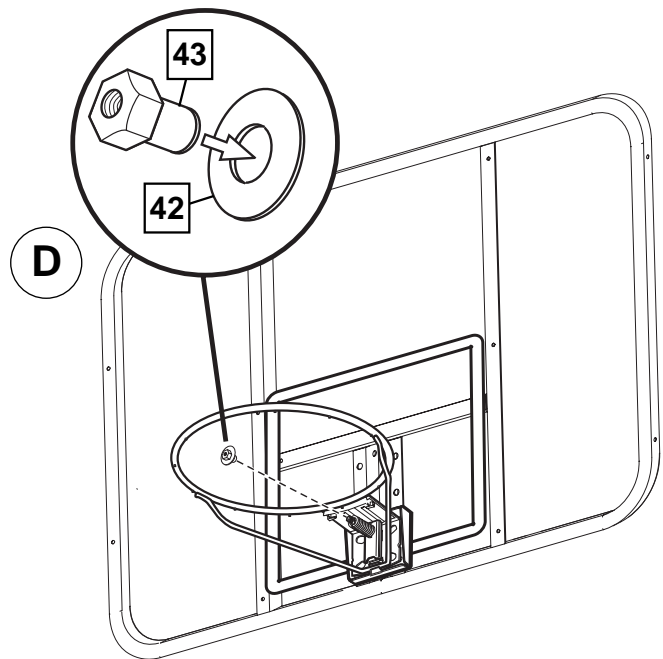
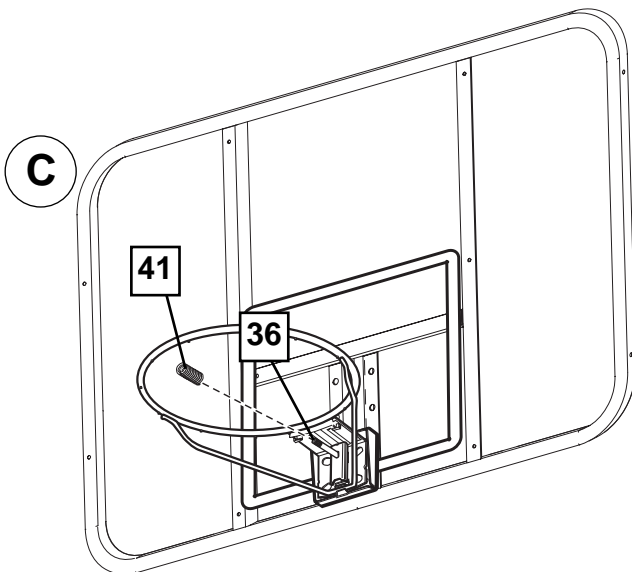
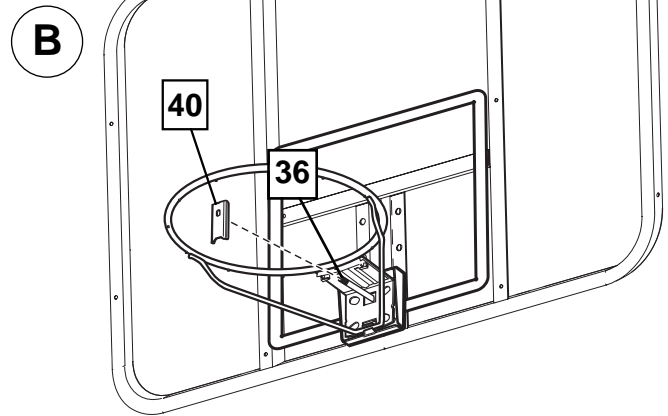
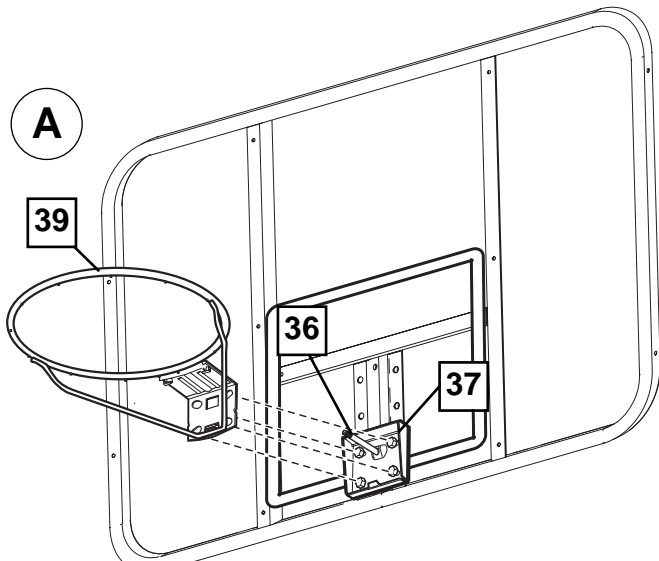
TWO PEOPLE REQUIRED FOR THIS PROCEDURE. FAILURE TO FOLLOW THIS WARNING COULD RESULT IN SERIOUS INJURY AND/OR PROPERTY DAMAGE.

! IMPORTANT!

Test fit bolts into holes of backboard brackets (29) and carefully rock them in a circular motion to ream out paint from holes if necessary.

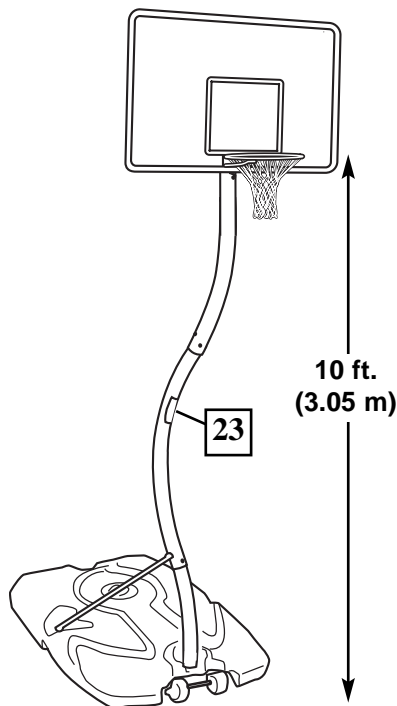
10.**Install Slam Jam Rim to Backboard**

- A** Fit rim (39) securely into bracket (37) as shown. Allow T-bolt (36) to slip through center hole in rim (39).
- B** Install reinforcement bracket (40) onto T-bolt (36) as shown.
- C** Install spring (41) onto T-bolt (36) as shown.
- D** Install special nut (43) and washer (42) onto T-bolt (36).
- E** Tighten nut (43) until flush with end of T-bolt (36).



SECTION C: APPLY HEIGHT AND MOVING SYSTEM LABEL & SECURING SYSTEM

- 1.** Carefully upright assembly. Apply moving system label (23) to front of pole as shown. Regulation rim height is 10 feet (3.05 m).



23

HEIGHT ADJUSTMENT

TO ADJUST BACKBOARD:

- TO RAISE BACKBOARD:** Slowly push up on the rim with broom handle or wooden dowel, 3/4" - 7/8" (19mm - 22mm) diameter as shown to engage locking mechanism at desired height.
- TO LOWER BACKBOARD:** Push lever up to unlock and carefully lower backboard to lowest position.

MOVING SYSTEM

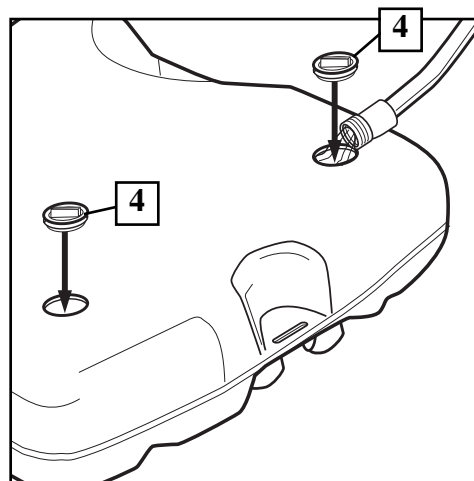
- Adjust basketball backboard height to lowest position.
- While holding pole, rotate basketball system forward until wheels engage with ground.
- Move basketball system to desired location.
- Carefully rotate basketball system upright.
- Reattach ground restraint and check system for stability.

201257 3/99

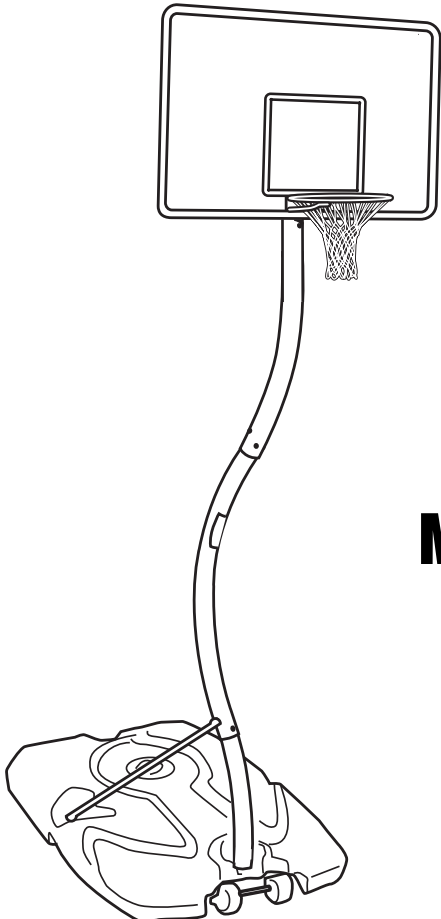
NOTE:

Peel protective film from surface of acrylic backboard prior to use.

- 2.** Place assembled unit in desired location. Fill tank with water (30 gallons/114 liters) or sand (300 lb./136 kg) and snap tank cap (4) in place.



	WARNING! TWO PEOPLE REQUIRED FOR THIS PROCEDURE. FAILURE TO FOLLOW THIS WARNING COULD RESULT IN SERIOUS INJURY AND/OR PROPERTY DAMAGE.
	WARNING! DO NOT LEAVE ASSEMBLY UNATTENDED WHEN EMPTY; IT MAY TIP OVER.
	WARNING! DO NOT ALLOW CHILDREN TO ADJUST HEIGHT.
	CAUTION! ADD TWO GALLONS (7.6 LITERS) OF NON-TOXIC ANTIFREEZE IN SUB-FREEZING CLIMATES.
	NOTE: <i>IF USING SAND:</i> 2 GALLONS OF ANTI-FREEZE IS <u>NOT</u> REQUIRED



Systeme portable Manuel d'utilisation

Service clientèle
o N53 W24700 South Corporate Circle o Sussex, WI 53089 o É.-U.

Tragbares System Gebrauchsanleitung

Kundendienstzentrale
• N53 W24700 South Corporate Circle • Sussex, WI 53089 • U.S.A.

Sistema portátil Manual del propietario



Centro de Servicio al Cliente
o N53 W24700 South Corporate Circle o Sussex, WI 53089 o EE.UU.

FRANÇAIS
DEUTSCH
ESPAÑOL

Inscrivez ici le numéro de modèle qui
apparaît sur la boîte :

Die Modellnummer vom Verpackungskarton
hier eintragen:

Escriba aquí el número de modelo que se
encuentra en la caja:








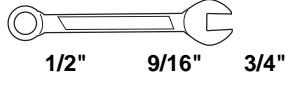
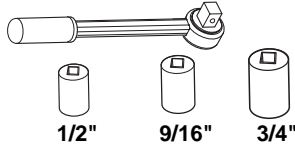

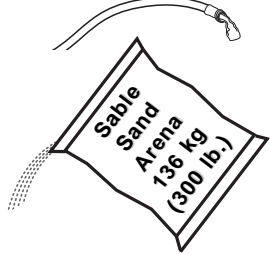
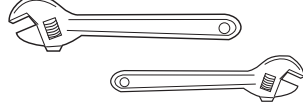
	AVERTISSEMENT ! WARNUNG! ¡ADVERTENCIA!	
LISEZ LE MODE D'EMPLOI AVANT D'UTILISER CE SYSTÈME		
SOUS PEINE D'ENCOURIR DES BLESSURES OU DES DÉGÂTS MATÉRIELS.		
DAS BENUTZERHANDBUCH VOR GEBRAUCH DIESES PRODUKTS SORGFÄLTIG DURCHLESEN.		
EIN MISSACHTEN DIESER BETRIEBSANLEITUNG KANN VERLETZUNGEN ODER SACHSCHÄDEN ZUR FOLGE HABEN.		
LEA Y ENTIENDA EL MANUAL DEL OPERADOR ANTES DE USAR ESTA UNIDAD.		
si NO SE SIGUEN LAS INSTRUCCIONES DE OPERACIÓN SE PODRÍA OCASIONAR UNA LESIÓN O DAÑOS A LA PROPIEDAD.		

Numéro sans frais du service clientèle (États-Unis) : 1-800-558-5234 ; Canada : 1-800-284-8339 ; Europe : 00 800 555 85234
(Suède : 009 555 85234), Pour l'Australie : 1-800-333 061 - Site Internet : <http://www.huffysports.com>

Gebührenfreie Kundendienstnummer für Anrufer in den USA: 1-800-558-5234 Für Anrufer in Kanada: 1-800-284-8339 Für
Anrufer in Europa: 00 800 555 85234 (Schweden: 009 555 85234) Für Australien: 1-800-333.061 - Internet-Adresse:
<http://www.huffysports.com>

Número telefónico gratuito de servicio al cliente en EE. UU.: 1-800-558-5234, para Canadá: 1-800-284-8339, para Europa: 00
800 555 85234 (Suecia: 009 555 85234), para Australia: 1-800-333 061 - Dirección en Internet: <http://www.huffysports.com>

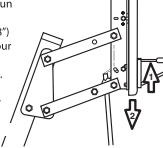
OUTILS ET MATÉRIEL REQUIS BENÖTIGTE WERKZEUGE UND MATERIALIEN HERRAMIENTAS Y MATERIALES REQUERIDOS

 <ul style="list-style-type: none"> • Deux personnes • 2 Personen • 2 personas  <ul style="list-style-type: none"> • Mètre • Maßband • Cinta de medir  <ul style="list-style-type: none"> • Plaque en bois (chute) • Holzstück • Tabla de madera (un trozo)  <ul style="list-style-type: none"> • Table de soutien • Sägebock oder Stütztisch • Caballete o tabla de apoyo  <ul style="list-style-type: none"> • Marteau • Hammer • Martillo  <ul style="list-style-type: none"> • Echelle de 2,4 m • Stufenleiter, 2,4 m (8 Fuß) • Escalera de mano de 8 pies (2.4 m)  <ul style="list-style-type: none"> • Lunettes de sécurité • Schutzbrille • Gafas de seguridad 	<ul style="list-style-type: none"> • (2) Clés • (je 2) Schraubenschlüssel • Llaves (dos de cada una)  <p style="text-align: center;">1/2" 9/16" 3/4"</p> <p style="text-align: center;">ET/OU AND/OR UND/ODER Y/O E/O</p> <ul style="list-style-type: none"> • (2) Clés à douilles et douilles • (2) Steckschlüssel und Einsätze • (2) Llaves de tuercas de boca tubular y casquillos de  <p style="text-align: center;">1/2" 9/16" 3/4"</p> <ul style="list-style-type: none"> • Extension de douille • Verlängerung • Extensión  <ul style="list-style-type: none"> • Une pince à becs pointus • Nadelzange • Pinzas de punta de aguja 	<ul style="list-style-type: none"> • Tuyau d'arrosage ou sable (136 kg) (300 lb.) • Gartenschlauch oder Sand (136 kg) (300 lb.) • Manguera de jardín o arena (136 kg) (300 lb.)  <ul style="list-style-type: none"> • Ou petite ou grande clé réglable • Optional: Große und kleine verstellbare Schraubenschlüssel • opcional: grande y pequeña Llaves ajustables 
---	--	--

REGLAGE DE LA HAUTEUR

1. POUR MONTER LE PANNEAU: Poussez sur le cerceau à l'aide d'un manche à balai ou d'un goujon de bois de 19 à 22 mm (3/4 à 7/8") de diamètre, comme indiqué, pour endencher le mécanisme de verrouillage à la hauteur désirée.

2. POUR ABASSER LE PANNEAU: Relevez le levier pour débloquent le panneau et descendez délicatement le panneau à la position la plus basse.



DEPLACEMENT DU SYSTEME

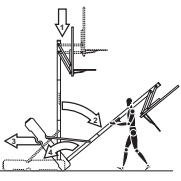
1. Réglez le panneau de basket-ball à la hauteur la plus basse.

2. Tournez les poignées vers l'avant jusqu'à ce que les roues s'engrènent sur le sol.

3. Amenez le système à l'endroit désiré.

4. Ramenez la poignée à sa position de départ.

5. Rattachez la fixation au sol et vérifiez la stabilité du système.

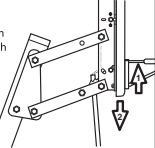


201257 3/99

Zum Anheben der Rückwand

1. ZUM ANHEBEN DER RÜCKWAND: Den Korbrand langsam mit einem Besenstiel oder einem Holzpflock mit einem Durchmesser von 19-22 mm (3/4-7/8 Zoll) wie gezeigt langsam nach oben drücken, bis der Verriegelungsmechanismus in der gewünschten Höhe eingreift.

2. ZUM ABSENKEN DER RÜCKWAND: Hebel nach oben drücken, um die Rückwand zu entriegeln und sie auf die niedrigste Höhe herabzulassen.



TRANSPORT DES SYSTEMS

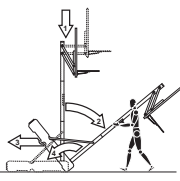
1. Die Basketball-Rückwand auf die unterste Position einstellen.

2. Den Griff nach vorne drehen, bis die Räder den Boden berühren.

3. Das Basketballsystem zum gewünschten Aufstellort fahren.

4. Den Griff in die Ausgangsposition zurückdrehen.

5. Die Bodensperre wieder anbringen, und eine Stabilitätsprüfung für das System durchführen.



201257 3/99

PARA AJUSTAR EL RESPALDO

1. PARA ELEVAR EL RESPALDO: Levante lentamente el borde con el palo de una escoba o con un tarugo de madera de 19mm a 22mm (de 3/4" a 7/8") de diámetro como se muestra, para embargar el mecanismo de fijación a la altura deseada.

2. PARA BAJAR EL RESPALDO: Empuje la palanca hacia arriba para liberar el seguro y cuidadosamente baje el respaldo hasta su posición más baja.



MOVIMIENTO DEL SISTEMA

1. Ajuste la altura del respaldo del sistema de baloncesto en la posición más baja.

2. Gire las agarraderas hacia adelante hasta que las ruedas toquen el piso.

3. Mueva el sistema de baloncesto hasta la ubicación deseada.

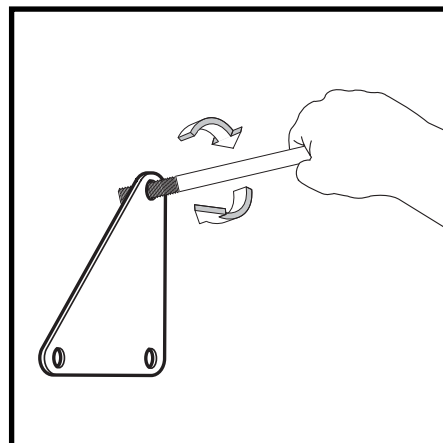
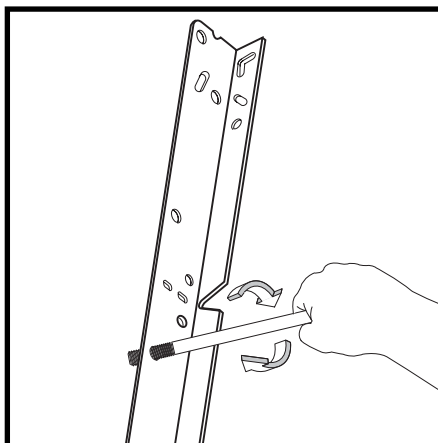
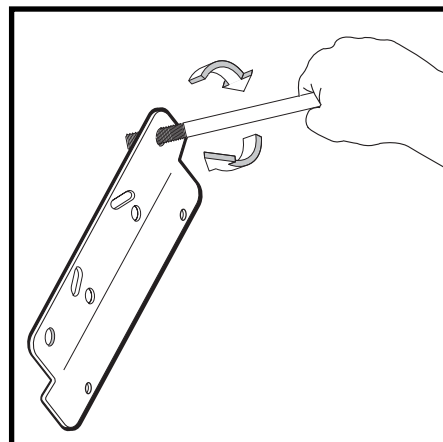
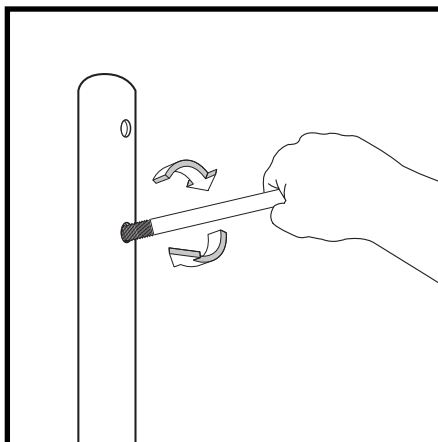
4. Gire la agarradera hacia atrás, hasta su posición original.

5. Vuelva a colocar el sujetador del sistema al piso y verifique la estabilidad del sistema.



201257 3/99

**AVANT DE COMMENCER!
¡ANTES DE COMENZAR!
VORBEREITENDE MASSNAHMEN**



Pour garantir l'utilisation optimale du panneau, les composants du système élévateur et la visserie doivent être bien ajustés (serrés). À titre d'essai, insérez les gros boulons dans les gros trous des tubes du système élévateur, des supports du panneau et des plaques triangulaires. Basculez-les avec précaution en imprimant un mouvement circulaire pour éliminer l'excédent de peinture, si nécessaire.

REMARQUE: No todos los artículos ilustrados se incluyen con cada modelo.

Um sicherzustellen, dass das Korbwandssystem optimal für den Spielbetrieb geeignet ist, müssen die Komponenten der Verlängerungsvorrichtung und die verschiedenen Befestigungsteile fest miteinander verschraubt werden. Große Schrauben zur Probe in die großen Löcher der Verlängerungsrohre, Korbwandklammern und Dreiecksplatte stecken und diese vorsichtig in einer Kreisbewegung hin- und herbewegen, um eventuelle Farbrückstände aus den Bohrungen zu entfernen.

NOTA: No todos los artículos ilustrados se incluyen con cada modelo.

Para asegurar el óptimo rendimiento del sistema del respaldo en el juego, se requiere un ajuste de tolerancia estrecha entre los componentes del elevador y el herraje. Pruebe el ajuste de los pernos grandes en los orificios grandes de los tubos elevadores, soportes del respaldo y placas triangulares. Cuidadosamente muévalos en círculos para eliminar cualquier exceso de pintura, si es necesario.

HINWEIS: Nicht jedem Modell sind alle abgebildeten Teile beige packt.



AVERTISSEMENT

Lisez les avertissements indiqués ci-dessous avant d'utiliser ce produit. Vous pouvez encourir des blessures graves et/ou des dégâts matériels.

Le propriétaire doit s'assurer que tous les joueurs connaissent et suivent ces règles d'utilisation sûre du système.

- NE VOUS SUSPENDEZ PAS sur le cerceau ou sur une autre partie du système, y compris le panneau, les supports ou le filet.
- Durant le jeu, en particulier lorsque vous faites un smash, gardez le visage à l'écart du panneau, du cerceau et du filet. Risque de blessures graves si les dents ou le visage viennent heurter le panneau, le cerceau ou le filet.
- Ne glissez et ne montez pas sur le socle et/ou le poteau, ne les secouez pas et ne jetez pas dessus.
- Une fois le montage terminé, remplissez complètement le système d'eau ou de sable. Ne laissez jamais le système à la verticale sans lester le socle, car le système risque de basculer et de causer des blessures.
- Lorsque vous réglez la hauteur ou que vous déplacez le système, gardez les mains et les doigts à l'écart des pièces en mouvement.
- Interdisez aux enfants de déplacer ou de régler le système.
- Avant le jeu, retirez vos bijoux (bagues, montres, colliers, etc.). Ces objets peuvent se prendre dans le filet.
- La surface située sous le socle doit être lisse, sans gravier ou autres objets coupants. Les perforations causent des fuites et risquent de faire basculer le système.
- Maintenez les substances organiques à l'écart du socle du poteau. L'herbe, les ordures, etc., risquent de causer la corrosion et/ou la détérioration du système.
- Vérifiez l'état du système (signes de corrosion comme rouille, piqûres, écailage) et repeignez avec la peinture email pour extérieur. Si de la rouille a piqué l'acier en tout point, remplacez immédiatement le poteau.
- Vérifiez le système avant chaque utilisation (est, visserie mal serrée, usure excessive et signes de corrosion) et réparez avant utilisation.
- Vérifiez la stabilité du système avant chaque utilisation.
- N'utilisez pas le système les jours de vent fort et/ou de tempête; le système risque de se renverser. Placez le système dans sa position de stockage et/ou dans un lieu protégé du vent et loin de biens personnels et/ou câbles suspendus.
- Ne jouez jamais sur du matériel abîmé.
- Lorsque vous déplacez le système, soyez prudent pour empêcher le mécanisme de se déséquilibrer.
- Maintenez le poteau bouché à tout moment.
- Ne laissez pas geler l'eau du socle. Par moins de 0 degré Celsius, ajoutez 8 litres d'antigel non toxique ou du sable, ou bien videz complètement et stockez. (N'utilisez pas de sel.)
- Durant le déplacement du système, personne ne doit se tenir debout ou assis sur son socle, ni sur lester le socle.
- Ne laissez pas le système sans supervision et ne jouez pas sur le système lorsque les roues se sont enclenchées pour le déplacement.
- Soyez prudent lorsque vous déplacez le système sur des surfaces irrégulières, car il risque de basculer.
- Soyez extrêmement prudent si vous placez le système sur une déclivité. Il risque de se renverser plus facilement.
- Pour les instructions d'installation et d'entretien, reportez-vous au guide fourni.

SPALDING
Aut. États-Unis: 1-800-224-6339
Aut. Canada: 1-800-224-6339

HYDRA-RIB
Aut. États-Unis: 1-800-224-6339
Aut. Canada: 1-800-224-6339

RUSSELL
ATHLETIC

SURESHOT
Aut. États-Unis: 1-888-713-9488
Aut. Canada: 1-800-224-6339

HUFFY SPORTS
Aut. États-Unis: 1-800-869-6524
Aut. Canada: 1-800-224-6339

Ref.: FR573005 12/05



WARNUNG!

EIN MISSACHTEN DIESER WARNUNG KANN ZU SCHWEREN VERLETZUNGEN UND/ODER SACHSCHÄDEN FÜHREN.

Der Eigentümer muss sicherstellen, dass alle Spieler diese Regeln für einen sicheren Betrieb des Systems kennen und befolgen.

- NICHT am Korbrand oder irgendeinem anderen Teil des Systems, einschli. Korbrand, Stützstreben oder Netz HÄNGEN.
- Während des Spielbetriebs, besonders bei Slam-Dunk-Manövern, müssen die Spieler ihr Gesicht von Korbrand, Korbrand und Netz fern halten. Der Kontakt von Zähnen/Gesicht mit der Korbrand, dem Korbrand oder dem Netz kann schwere Verletzungen zur Folge haben.
- NICHT auf dem Sockel und/oder der Stange rutschen, darauf klettern, ihn/sie schütteln und/oder darauf/daran spielen.
- Nach dem Zusammenbau das System ganz mit Wasser oder Sand füllen und im Boden verankern. Das System niemals in unzureichender Position stehen lassen, ohne den Sockel zu beschweren, da es andernfalls umkippen und Verletzungen verursachen kann.
- Beim Einstellen der Höhe oder beim Transport des Systems Hände und Finger von beweglichen Teilen fern halten.
- Kindern darf das Verschieben oder Einstellen des Systems NICHT gestattet werden.
- Beim Spielen KEINEN Schmutz (Ringe, Armbanduhr, Halsketten usw.) tragen, da dieser sich im Netz verfangen kann.
- Die Oberfläche unter dem Sockel muss glatt und frei von Kies oder anderen scharfkantigen Gegenständen sein. Löcher können zu Lecks und somit zu einem Umkippen des Systems führen.
- Organische Materialien vom Stangensockel fern halten. Gras, Abfälle usw. können Korrosion und/oder Abbauerscheinungen verursachen.
- Das Stangensystem auf Anzeichen von Korrosion (Rost, Narbenbildung, Abblättern) untersuchen und mit Emailanfarbe neu lackieren. Wenn sich Rost an irgendeiner Stelle durch den Stahl durchgefressen hat, ist die Stange sofort auszutauschen.
- Das System vor jeder Benutzung auf den richtigen Ballast, lose Befestigungsteile, übermäßige Abnutzungserscheinungen und Anzeichen von Korrosion untersuchen; vor jedem Einsatz entsprechende Korrekturmaßnahmen bzw. Reparaturen durchführen.
- Die Stabilität des Systems vor jedem Gebrauch überprüfen.
- Das System NICHT bei windigen und/oder unwirtschaftlichen Witterungsverhältnissen benutzen, da es unter diesen Umständen umkippen kann. Das System in die Lagerposition versetzen und/oder in einen windgeschützten Bereich bringen, an dem es keine Sachschäden verursachen kann und/oder in dem keine Oberleitungen vorhanden sind.
- Niemand an bzw. mit einer beschädigten Ausrüstung spielen.
- Die ordnungsgemäße Installation und Wartung ist dem Gebrauchshandbuch zu entnehmen.
- Beim Transport des Systems darauf achten, dass sich der Mechanismus nicht verschleißt.
- Das obere Stangenende muss jederzeit mit einer Kappe abgedeckt sein.
- Das Wasser im Tank darf KEINESFALLS gefrieren. Bei Temperaturschwankungen unter dem Nullpunkt dem Wasser ungefrorenes Gefrierenschutzmittel hinzufügen, den Tank mit Sand füllen oder ihn völlig entleeren und lagern. (KEIN Salz verwenden.)
- Beim Aufstellen des Systems auf einer geneigten Fläche mit großer Vorsicht vorgehen. Das System kann unter diesen Umständen leichter umkippen.

SPALDING
Aut. États-Unis: 1-800-224-6339
Aut. Canada: 1-800-224-6339

HYDRA-RIB
Aut. États-Unis: 1-800-224-6339
Aut. Canada: 1-800-224-6339

RUSSELL
ATHLETIC

SURESHOT
Aut. États-Unis: 1-888-713-9488
Aut. Canada: 1-800-224-6339

HUFFY SPORTS
Aut. États-Unis: 1-800-869-6524
Aut. Canada: 1-800-224-6339

Beleg-Nr.: GE573005 12/05



¡ADVERTENCIA!

SI NO SE OBSERVAN ESTAS ADVERTENCIAS SE PODRÍAN CAUSAR LESIONES CORPORALES GRAVES Y/O DAÑOS MATERIALES.

El propietario debe asegurarse de que todos los jugadores conozcan y obedezcan estas reglas para la operación segura del sistema.

- NO SE CUELQUE del borde ni de ninguna parte del sistema, inclusive el respaldo, las abrazaderas de apoyo y la red.
- Durante el juego, especialmente cuando se realizan actividades de tipo clavada (dunk), el jugador debe mantener la cara alejada del respaldo, el borde y la red. Si los dientes o la cara entran en contacto con el respaldo, el borde o la red, se puede sufrir una lesión grave.
- NO se deslice, suba, sacuda ni juegue en la base y/o en el poste después de completar el conjunto, llene completamente el sistema con agua o arena y fíjelo en el piso.
- Nunca deje el sistema en posición vertical sin llenar la base con un peso, ya que el sistema se podría caer y causar lesiones.
- Al ajustar la altura o mover el sistema mantenga las manos y los dedos alejados de las partes móviles.
- No permita que los niños muevan o ajusten el sistema.
- Durante el juego NO use joyería (anillos, relojes, collares, etc.). Estos objetos se pueden enredar en la red.
- La superficie debajo de la base se debe mantener lisa y sin grava ni otros objetos filosos. Las perforaciones pueden causar fugas y provocar que el sistema se caiga.
- Mantenga los materiales orgánicos alejados de la base del poste. El césped, la basura, etc. podrían causar corrosión y/o deterioro.
- Revise que el sistema del poste no tenga señales de corrosión (oxidación, picaduras, desconchaduras) y si las tiene vuelva a pintarlo con pintura de esmalte para exteriores. Si la corrosión penetró a través del acero en cualquier área, reemplace inmediatamente el poste.
- Antes de cada uso revise el sistema para verificar que esté adecuadamente equilibrado, que no tenga herraje suelto, desgaste excesivo ni signos de corrosión, y repárelo si es necesario.
- Verifique la estabilidad del sistema antes de cada uso.
- NO use el sistema durante condiciones climáticas severas y/o con mucho viento, ya que el sistema se podría caer. Coloque el sistema en posición de almacenamiento y/o en un área protegida del viento y sin propiedades personales y/o cables suspendidos.
- Consulte el manual de instrucciones para ver la instalación y el mantenimiento adecuados.
- Cuando mueva el sistema, tenga cuidado para evitar que el mecanismo cambie de lugar.
- Siempre mantenga el poste cubierto con la tapa.
- NO permita que el agua del tanque se congele. En climas con temperaturas de congelamiento, añada un anticongelante no tóxico al agua, llene el tanque con arena, o vacíelo completamente y almacénelo (NO use sal).
- Use extremado cuidado si va a colocar el sistema en una superficie inclinada. El sistema se podría caer más fácilmente.

SPALDING
Aut. États-Unis: 1-800-224-6339
Aut. Canada: 1-800-224-6339

HYDRA-RIB
Aut. États-Unis: 1-800-224-6339
Aut. Canada: 1-800-224-6339

RUSSELL
ATHLETIC

SURESHOT
Aut. États-Unis: 1-888-713-9488
Aut. Canada: 1-800-224-6339

HUFFY SPORTS
Aut. États-Unis: 1-800-869-6524
Aut. Canada: 1-800-224-6339

N.P.: SP550790 08/05

⚠️ CONSIGNES DE SÉCURITÉ! ⚠️

SUIVEZ CES CONSIGNES DE SÉCURITÉ SOUS PEINE DE PROVOQUER DES BLESSURES GRAVES, DES DÉGÂTS MATÉRIELS ET L'ANNULATION DE LA GARANTIE.

Le propriétaire doit s'assurer que tous les joueurs connaissent et suivent ces règles d'utilisation sûre du système.

Par mesure de sécurité, n'essayez pas de monter ce système sans suivre scrupuleusement les instructions. Un montage, une utilisation et une supervision corrects et complets sont indispensables à un bon fonctionnement et à la réduction des risques d'accident ou de blessure. Des blessures graves sont très probables si le système n'est pas installé, entretenu et utilisé correctement.

- Si vous utilisez une échelle en cours de montage, soyez extrêmement prudent.
- Vérifiez régulièrement le socle pour vous assurer qu'il ne fuit pas. Les petites fuites risquent d'entraîner le basculement intempestif du système.
- Emboîtez correctement les sections de poteau (le cas échéant). Elles risquent sinon de se déboîter en cours de jeu et/ou de transport du système.
- Les conditions climatiques, la corrosion ou une mauvaise utilisation risquent de provoquer la panne du système.
- Pour toute assistance technique, contactez le service clientèle.
- La hauteur minimale d'utilisation est de 1,98 (6' 6") m jusqu'à la base du panneau.

La plupart des blessures sont causées par une mauvaise utilisation et/ou le non-respect des instructions. Soyez prudent lorsque vous utilisez ce système.

⚠️ SICHERHEITSHINWEISE! ⚠️

EIN MISSACHTEN DIESER SICHERHEITSHINWEISE KANN ZU SCHWEREN VERLETZUNGEN UND/ODER SACHSCHÄDEN FÜHREN UND MACHT DIE GARANTIE UNWIRKSAM..

Der Eigentümer muss sicherstellen, dass alle Spieler diese Regeln für einen sicheren Betrieb des Systems kennen und befolgen.

Aus Sicherheitsgründen darf dieses System nur unter sorgfältiger Beachtung der Anleitung zusammengebaut werden. Eine ordnungsgemäße und vollständige Montage, Verwendung und Aufsicht ist für den richtigen Betrieb und zur Reduzierung des Unfall- oder Verletzungsrisikos absolut erforderlich. Bei einer unsachgemäßen Installation und Wartung und bei einem falschen Betrieb dieses Systems besteht ein hohes Risiko schwerer Verletzungen.

- Beim Gebrauch einer Leiter während des Zusammenbaus extrem vorsichtig vorgehen.
- Den Sockel regelmäßig auf Leckstellen untersuchen. Langsam austretende Füllmittel können ein unerwartetes Umkippen des Systems verursachen.
- Die einzelnen Stangenteile richtig zusammenfügen (falls anwendbar). Andernfalls können sich die Stangenteile beim Spielbetrieb und/oder während des Transports des Systems voneinander lösen.
- Klimatische Bedingungen, Korrosion oder Fehlgebrauch kann zu Systemdefekten führen.
- Technische Unterstützung kann vom Kundendienst angefordert werden.
- Die Mindestspielhöhe beträgt 1,98m (6,6 Fuß) bis zur Unterkante der Korbwand.

Die meisten Verletzungen werden durch einen Fehlgebrauch bzw. ein Missachten der Anleitungen verursacht. Bei der Verwendung dieses Geräts vorsichtig vorgehen.

⚠️ ¡INSTRUCCIONES DE SEGURIDAD! ⚠️

EL INCUMPLIMIENTO DE ESTAS INSTRUCCIONES DE SEGURIDAD PUEDE DAR COMO RESULTADO LESIONES GRAVES, DAÑOS MATERIALES Y ANULARÁ LA GARANTÍA..

El propietario debe asegurarse de que todos los jugadores conozcan y obedezcan estas reglas para la operación segura del sistema.

Por su seguridad, no intente montar este sistema sin seguir cuidadosamente las instrucciones. Es esencial el montaje completo, y el uso y la supervisión adecuados para la operación correcta del sistema y para reducir el riesgo de accidentes o lesiones. Existe una alta probabilidad de sufrir lesiones graves si este sistema no se instala, mantiene y opera adecuadamente.

- Si utiliza una escalera de mano durante el montaje, tenga mucho cuidado.
- Revise regularmente la base para detectar fugas. Las fugas lentas podrían causar que el sistema se cayera inesperadamente
- Asiente correctamente las secciones del poste (si aplica). Si no lo hace, las secciones del poste podrían separarse durante el juego y/o durante el transporte del sistema.
- El clima, la corrosión y el mal uso podrían ocasionar la falla del sistema.
- Si requiere asistencia técnica, comuníquese con el Departamento de Servicio al Cliente.
- La altura mínima de operación es de 1.98m (6' 6") hasta la parte inferior del respaldo.

La mayoría de las lesiones son causadas por el uso inadecuado y/o por el incumplimiento de las instrucciones. Tenga cuidado cuando use esta unidad.



Des questions ou des pièces manquantes ?

NE RETOURNEZ PAS au magasin !

Appelez le numéro du service clientèle (NUMÉRO GRATUIT) qui figure en première page!



Fragen oder fehlende Teile?

Gehen Sie NICHT zum Laden zurück!

Rufen Sie die GEBÜHRENFREIE Telefonnummer (in den USA und Kanada) auf der Vorderseite an!



¿Tiene preguntas o le faltan piezas?

¡NO regrese a la tienda!

¡Llame al número telefónico GRATUITO de Servicio al Cliente que se indica en la primera página!

AVIS AUX PERSONNES CHARGÉES DU MONTAGE

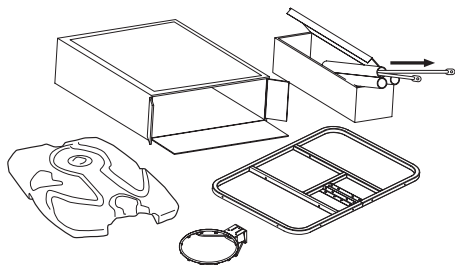
TOUS les systèmes de basket-ball, y compris ceux utilisés en EXPOSITION, DOIVENT être assemblés et lestés de sable ou d'eau, selon les instructions. Suivez ces instructions sous peine d'encourir des BLESSURES GRAVES. Il est INACCEPTABLE de composer un système de lestage de fortune.

HINWEIS FÜR DIE PERSONEN, DIE DEN ZUSAMMENBAU DURCHFÜHREN

ALLE Basketballsysteme, einschließlich der zu AUSSTELLZWECKEN benutzten Systeme, MÜSSEN gemäß der Montageanleitung zusammengebaut und mit Sand oder Wasser beschwert werden. Ein Missachten dieser Anleitung kann SCHWERE VERLETZUNGEN zur Folge haben. Zum Beschweren darf NICHT zu irgendwelchen Notbehelfsmaßnahmen gegriffen werden.

AVISO PARA LAS PERSONAS QUE REALIZAN EL MONTAJE

TODOS los sistemas de baloncesto, inclusive los usados para EXHIBICIÓN, DEBEN estar montados y equilibrados con arena o agua, de acuerdo con las instrucciones. Si se ignoran estas instrucciones se podría ocasionar una LESIÓN GRAVE. NO es aceptable improvisar un sistema de pesas provisional.



IMPORTANT!

Videz entièrement les boîtes.

Veillez à vérifier l'intérieur des sections de poteau.

La quincaillerie et des pièces supplémentaires sont emballées à l'intérieur.

¡IMPORTANTE!

Saque todo el contenido de las cajas.

Asegúrese de revisar el interior de las secciones del poste.

Ahí se han empacado herraje y piezas adicionales.

WICHTIG!

Die Kartons vollständig auspacken.

Den Hohlraum in den Stangenteilen inspizieren.

Dort sind Befestigungs- und andere Kleinteile verpackt.

CARTE DE GARANTIE:

N'oubliez pas de remplir la carte d'enregistrement de votre produit en ligne à :

www.huffysports.com/customer_support/product_registration ou par courrier sur la carte ci-jointe.

GARANTIEKARTE:

Bitte nicht vergessen, das Produktregistrierungsformular online unter der Adresse

www.huffysports.com/customer_support/product_registration auszufüllen oder die beiliegende Postkarte einzusenden.

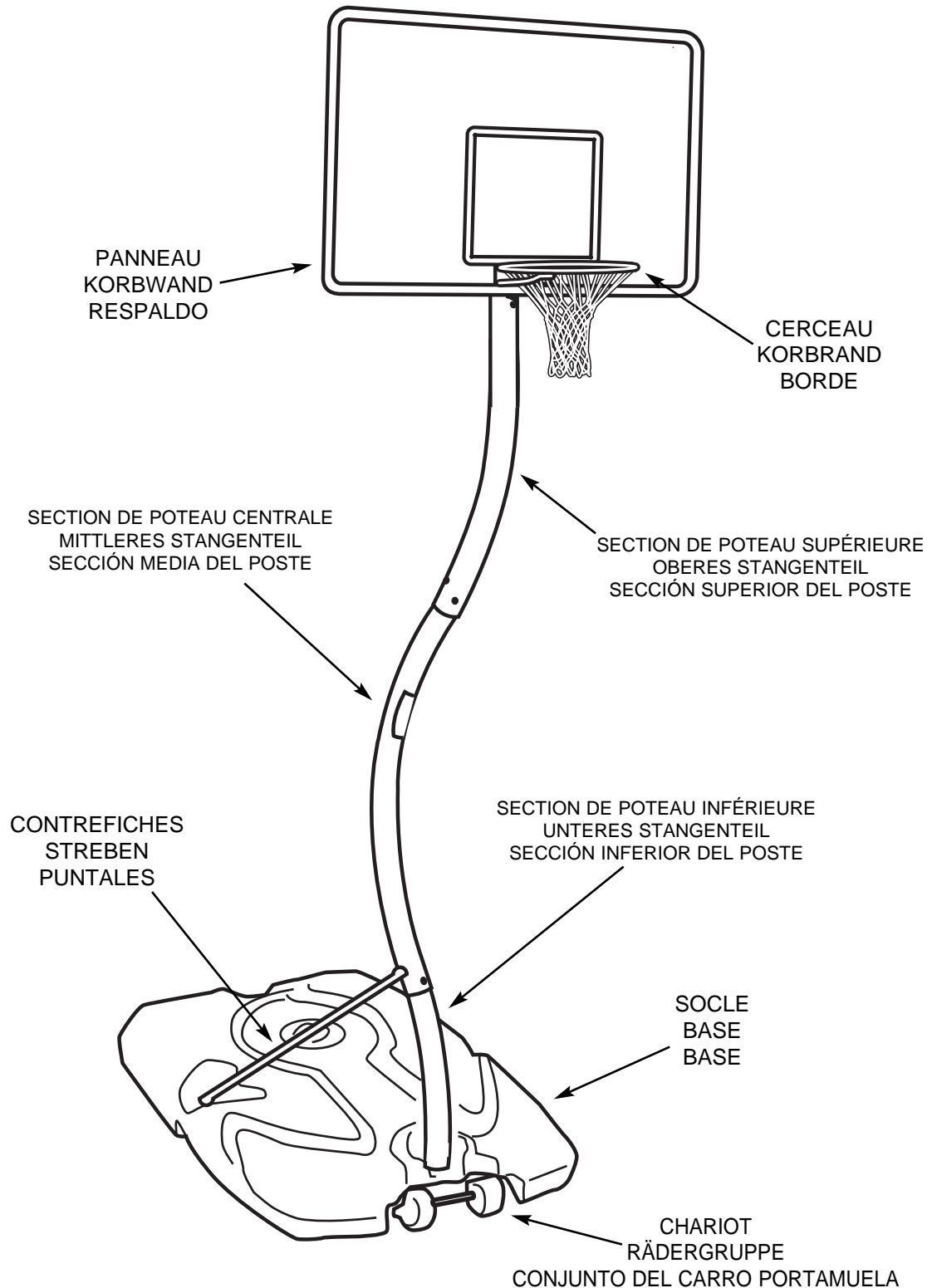
TARJETA DE GARANTÍA:

Por favor recuerde completar su formulario de registro del producto, ya sea en línea en:

www.huffysports.com/customer_support/product_registration o por correo en la tarjeta postal adjunta.

Apprenez à connaître les composants de base de votre système de basket-ball...
Machen Sie sich mit den wichtigsten Teilen Ihres Basketballsystems vertraut...
Conozca las piezas básicas de su sistema de baloncesto...

**AVANT
VORDERSEITE
PARTE FRONTAL**



LISTE DES PIÈCES - Voir légende

Légende	Qté	No. de réf.	Description	Légende	Qté	No. de réf.	Description
1	1	206657	Réservoir (noir)	27	1	201160	Lever de cliquet
2	1	200628	Axe des roues	28	4	902838	Tubes d'élévateur
3	2	226401	Roue, 10 cm (noire)	29	4	201642	Entretoise, D.I. 0,530 x D.E. 0,5 x 0,63 (long.)
4	2	203617	Bouchon	30	5	206304	Boulon 1/2-13 x 6-5/16 (long.)
5	1	908071	Section supérieure de poteau en S	31	1	201159	Cliquet
6	1	908072	Section centrale de poteau en S	32	5	206340	Écrou 1/2-13
7	1	908073	Section inférieure de poteau en S	33	1	206305	Axe à épaulement, 1/4 x 2-9/32 de large
8	1	202820	Tige, D.E. 3/8 x longueur 4-3/4	34	2	206303	Rondelle plate 1/4
9	1	202822	Boulon à oeillet, 3/8-16 x 2-1/2 (long.)	35	1	201125	Ressort de retour du cliquet
10	1	200627	Support de roues	36	1	203796	Boulon à T, 3/8-16 x 12,5 cm de large
11	4	201651	Entretoise, D.I. 12,7 mm x 6,35 mm (long.)	37	1	900033	Support, Slam Jam
12	6	203063	Contre-écrou en nylon, 3/8-16	38	1	206219	Capuchon, haut du poteau 7,5 cm
13	1	202587	Entretoise, D.I. 13,5 mm x 2,54 cm (long.)	39	1		Cerceau
14	6	202201	Rondelle, incurvée, D.I. 12 mm	40	1	200318	Support, renforcement, Slam Jam
15	2	908074	Contrefiche de réservoir	41	1	203472	Ressort, noir, Slam Jam
16	4	202199	Écrou, portée cylindrique, tête Allen, 5/16-18	42	1	203470	Rondelle plate, Slam Jam
17	4	202197	Boulon, tête Allen, 5/16-18 x 7,6 cm (long.)	43	1	203795	Écrou spécial, Slam Jam
18	6	205528	Boulon, bride, six pans, 5/16-18 x 2,54 cm (long.)	44	1		Filet
19	6*	203218	Rondelle plate, D.I. 9,5 mm				
20	8*	203100	Écrou, collet à six pans, 5/16-18				
21	2	202294	Clé Allen, 6 mm				
22	4	204961	Boulon, six pans, 3/8-16 x 15,8 mm (long.)				
23	1	FR201257	Étiquette, échelle de hauteur et déplacement				
24	3	206360	Boulon, tête à six pans, 3/8-16 x 2,65 (long.)				
25	2	90096401	Support de panneau				
26	1	201129	Entretoise, D.I. 0,402 x D.E. 0,500 x 1,75 (large)				

REMARQUE: Le kit de visserie est conçu pour plus d'un style de système de basket-ball. Toute la visserie ne sera pas nécessairement utilisée. *

* IL EST POSSIBLE QUE VOUS AYEZ D'AUTRES PIÈCES AVEC CE MODÈLE.

TEILELISTE - Siehe Teileschlüssel

Nr.	Anz.	Teilenummer	Beschreibung	Nr.	Anz.	Teilenummer	Beschreibung
1	1	206657	Tank (schwarz)	26	1	201129	Abstandsstück, 0,402 ID x 0,500 AD x 1,75 Länge
2	1	200628	Radachse	27	1	201160	Sperrhebel
3	2	226401	Rad, 4 Zoll (schwarz)	28	4	902838	Verlängerungsrohre
4	2	203617	Verschlusskappe	29	4	201642	Abstandsstück, 0,530 ID x 0,5 AD x 0,63 Länge
5	1	908071	Oberes, S-förmiges Stangenteil	30	5	206304	Schraube, 1/2-13 x 6-5/16 Länge
6	1	908072	Mittleres, S-förmiges Stangenteil	31	1	201159	Ratsche
7	1	908073	Unteres, S-förmiges Stangenteil	32	5	206340	Nut 1/2-13
8	1	202820	Stange, 3/8 AD x 4-3/4 Länge	33	1	206305	Lastösenbolzen, 1/4 x 2-9/32 groß
9	1	202822	Einschrauböse, 3/8-16 x 2-1/2 Länge	34	2	206303	Flache Unterlegscheibe, 1/4
10	1	200627	Radhalterung	35	1	201125	Ratschenrückholfeder
11	4	201651	Abstandsstück, 0,500 ID x 0,25 Länge	36	1	203796	T-Nutenschraube, 3/8-16 x 5 Zoll Länge
12	6	203063	Nylon-Einschraubgegenmutter, 3/8-16	37	1	900033	Slam Jam-Halterung
13	1	202587	Abstandsstück, 0,530 ID x 1 Zoll Länge	38	1	206219	Stangenendkappe, 3 Zoll
14	6	202201	Unterlegscheibe, gekrümmt, 1/2 ID	39	1		Korbbrand
15	2	908074	Tankverstrebung	40	1	200318	Slam Jam-Verstärkungshalterung
16	4	202199	Überwurfmutter, Inbuskopf, 5/16-18	41	1	203472	Slam Jam-Feder, schwarz
17	4	202197	Inbuskopfschraube, 5/16-18 x 3 Länge	42	1	203470	Flache Slam Jam-Unterlegscheibe
18	6	205528	Sechskant-Flanschschraube, 5/16-18 x 1 Länge	43	1	203795	Slam Jam-Spezialmutter
19	6*	203218	Flache Unterlegscheibe, 3/8 ID	44	1		Netz
20	8*	203100	Sechskant-Flanschmutter, 5/16-18				
21	2	202294	Inbusschlüssel, 6 mm				
22	4	204961	Sechskantschraube 3/8-16 x 625 Länge				
23	1	201257	Höheneinstell- und Transportaufkleber				
24	3	206360	Sechskantkopfschraube, 3/8-16 x 2,65 Länge				
25	2	90096401	Korbwandklammer				

HINWEIS: Die beiliegenden Befestigungsteile sind für mehr als eine Ausführung des Basketballsystems vorgesehen. Es werden nicht alle Befestigungsteile benötigt.

* DIESEM MODELL KÖNNEN ZUSÄTZLICHE TEILE BEIGEPACKT SEIN.

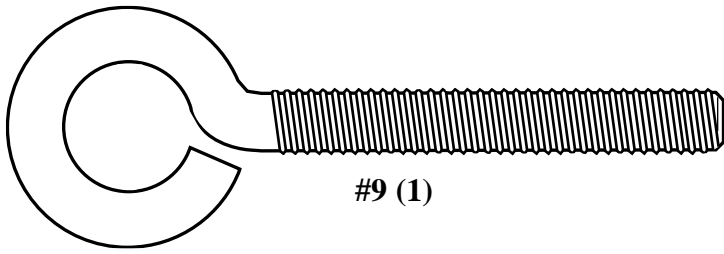
LISTA DE PIEZAS - Vea el identificador de herraje

Artículo	Cant.	Pieza N.º	Descripción	Artículo	Cant.	Pieza N.º	Descripción
1	1	206657	Tanque, (negro)	27	1	201160	Palanca con fiador
2	1	200628	Eje de la rueda	28	4	902838	Tubos elevadores
3	2	226401	Rueda, 4" (10,2 cm) (negra)	29	4	201642	Espaciador 0,530 D.I. x 0,5 D.E. x 0,63 de longitud
4	2	203617	Tapa	30	5	206304	Perno 1/2-13 x 6-5/16 de longitud
5	1	908071	Sección superior del poste en S	31	1	201159	Trinquete
6	1	908072	Sección media del poste en S	32	5	206340	Tuerca 1/2-13
7	1	908073	Sección inferior del poste en S	33	1	206305	Pasador de horquilla, 1/4 x 2-9/32 de largo
8	1	202820	Varilla, 3/8 D.E. x 4-3/4 de longitud	34	2	206303	Arandela, 1/4 plana
9	1	202822	Perno de anilla, 3/8- 16 x 2 -1/2 de longitud	35	1	201125	Resorte de retorno del trinquete
10	1	200627	Soporte de la rueda	36	1	203796	Perno T, 3/8-16 x 5" de longitud
11	4	201651	Espaciador 0,500 D.I. x 0,25 de longitud	37	1	900033	Soporte Slam Jam
12	6	203063	Tuerca de nilón del inserto de seguridad, 3/8-16	38	1	206219	Tapa, parte superior del poste 3"
13	1	202587	Espaciador 0,530 D.I. x 1" de longitud	39	1		Borde
14	6	202201	Arandela, curva, 1/2" D.I.	40	1	200318	Soporte de refuerzo, Slam Jam
15	2	908074	Puntal del tanque	41	1	203472	Resorte, negro, Slam Jam
16	4	202199	Tuerca, manga, cabeza Allen, 5/16-18	42	1	203470	Arandela plana, Slam Jam
17	4	202197	Perno, cabeza Allen, 5/16-18 x 3" de longitud	43	1	203795	Tuerca, especial, Slam Jam
18	6	205528	Perno, brida hexagonal, 5/16-18 x 1 de longitud	44	1		Red
19	6*	203218	Arandela, plana, 3/8 D.I.				
20	8*	203100	Tuerca, brida hexagonal, 5/16-18				
21	2	202294	Llave Allen de 6 mm				
22	4	204961	Perno, hexagonal, 3/8-16 x .625 de longitud				
23	1	201257	Etiqueta, ajuste de la altura y de movimiento				
24	3	206360	Perno, hexagonal, 3/8-16 x 2,65 de longitud				
25	2	90096401	Soporte del respaldo				
26	1	201129	Espaciador, 0,402 D.I. x 0,500 D.E. x 1,75 de longitud				

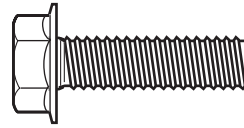
NOTA: El juego de herraje está diseñado para más de un estilo de sistemas de baloncesto. No se usará todo el herraje. *

* PUEDE HABER PIEZAS ADICIONALES EN ESTE MODELO.

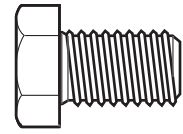
**IDENTIFICATION DES PIÈCES (BOULONS)
 BEFESTIGUNGSTEILESCHLÜSSEL (SCHRAUBEN)
 IDENTIFICADOR DE HERRAJE (PERNOS)**



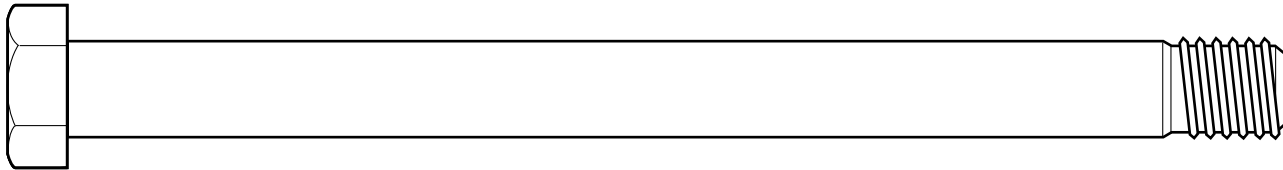
#9 (1)



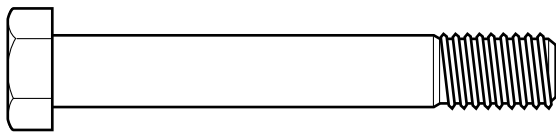
#18 (6)



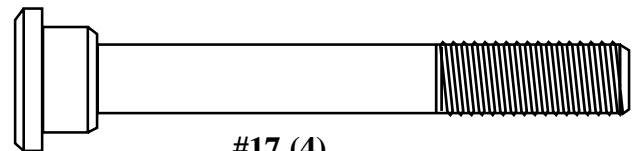
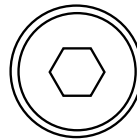
#22 (4)



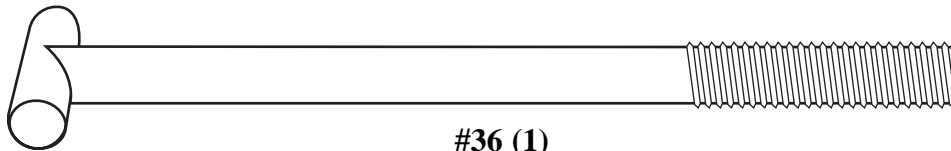
#30 (5)



#24 (3)

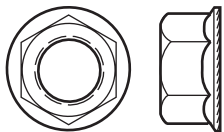


#17 (4)

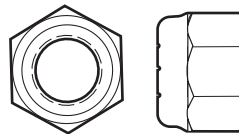


#36 (1)

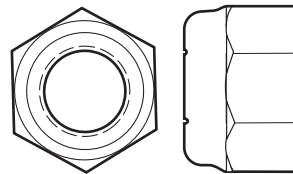
**IDENTIFICATION DES PIÈCES (ÉCROUS & RESSORTS)
 BEFESTIGUNGSTEILESCHLÜSSEL (MUTTERN UND FEDERN)
 IDENTIFICADOR DE HERRAJE (TUERCAS Y RESORTES)**



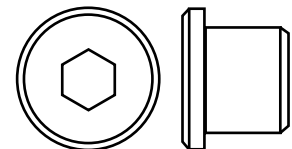
#20 (8)*



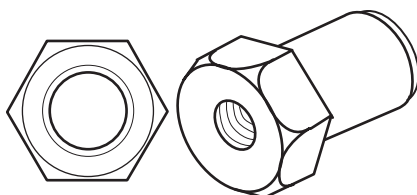
#12 (6)



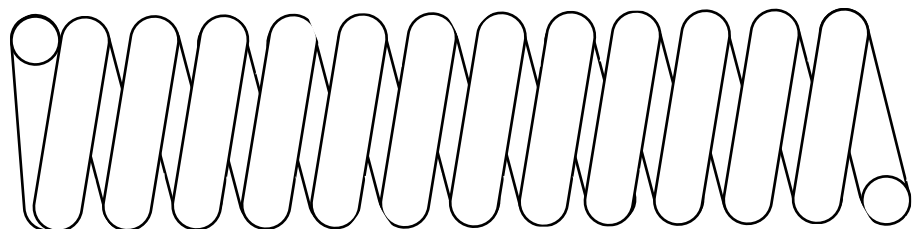
#32 (5)



#16 (4)

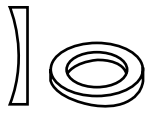


#43 (1)

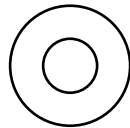


#41 (1)

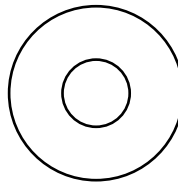
IDENTIFICATION DES PIÈCES (RONDELLES)
BEFESTIGUNGSTEILESCHLÜSSEL (UNTERLEGSCHWEIBEN)
IDENTIFICADOR DE HERRAJE (SEPARADORES Y VARILLAS DE ACERO)



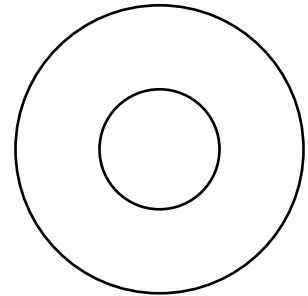
#14 (6)



#34 (2)

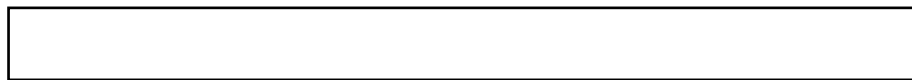


#19 (6)*

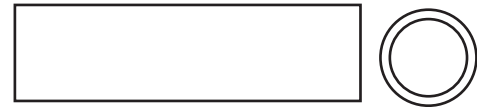


#42 (1)

IDENTIFICATION DES PIÈCES (ENTRETOISES & TIGES EN ACIER)
BEFESTIGUNGSTEILESCHLÜSSEL (ABSTANDSSTÜCKE UND STÄBE AUS STAHL)
IDENTIFICADOR DE HERRAJE (SEPARADORES Y VARILLAS DE ACERO)

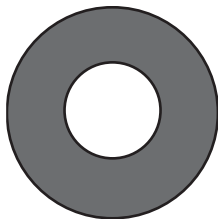


#8 (1)

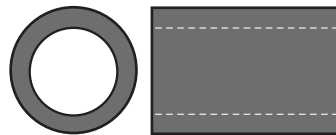


#26 (1)

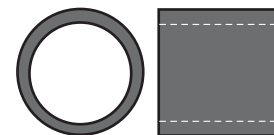
IDENTIFICATION DES PIÈCES (ENTRETOISES & PINCES EN PLASTIQUE)
BEFESTIGUNGSTEILESCHLÜSSEL (ABSTANDSSTÜCKE UND CLIPS)
IDENTIFICADOR DE HERRAJE (ESPACIADORES Y SUJETADORES)



#11 (4)

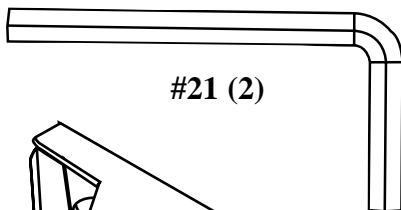


#13 (1)

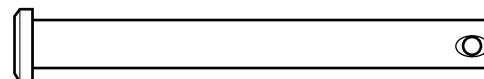


#29 (4)

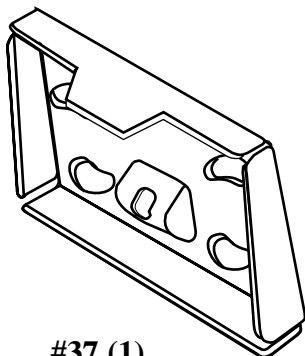
IDENTIFICATION DES PIÈCES (AUTRES)
BEFESTIGUNGSTEILESCHLÜSSEL (SONSTIGE)
IDENTIFICADOR DE HERRAJE (OTROS)



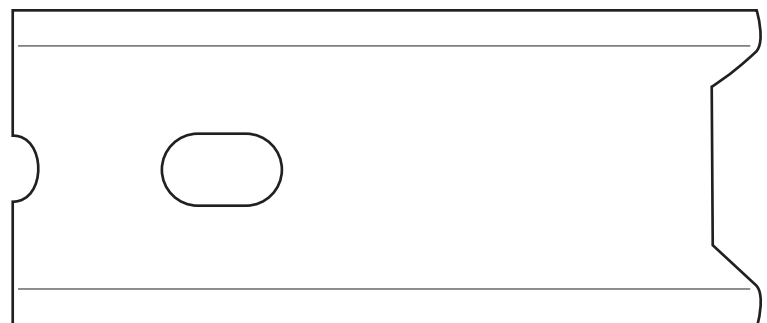
#21 (2)



#33 (1)



#37 (1)



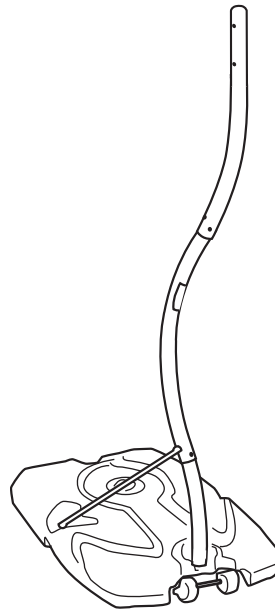
#40 (1)

SECTION A : MONTAGE DU SOCLE
BAUABSCHNITT A: ZUSAMMENBAU DES SOCKELS
SECCIÓN A: MONTAJE DE LA BASE

Voici à quoi ressemblera votre système lorsque vous en aurez fini avec cette section:

So sieht das System aus, wenn Sie mit diesem Bauabschnitt fertig sind:

Así es como se verá su sistema cuando haya terminado esta sección:



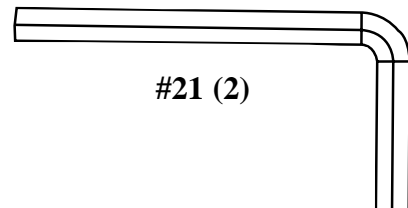
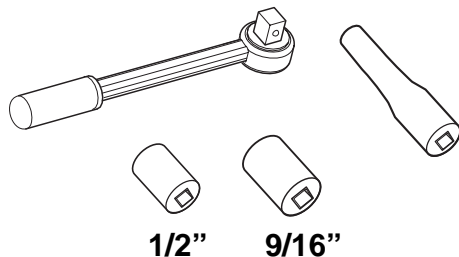
OUTILS REQUIS POUR CETTE SECTION
FÜR DIESEN BAUABSCHNITT BENÖTIGTES WERKZEUG
HERRAMIENTAS REQUERIDAS PARA ESTA SECCIÓN

(2) clés 1/2" et (2) clés 9/16"
(2) 1/2 und (2) 9/16-Zoll-Schraubenschlüssel
(2) Llaves de 1/2" y (2) de 9/16"



AND/OR
ET/OU
UND/ODER
Y/O

(2) clés à douille et douilles
(2) Steckschlüssel und Einsätze
(2) Llaves de tuercas de boca tubular y casquillos de

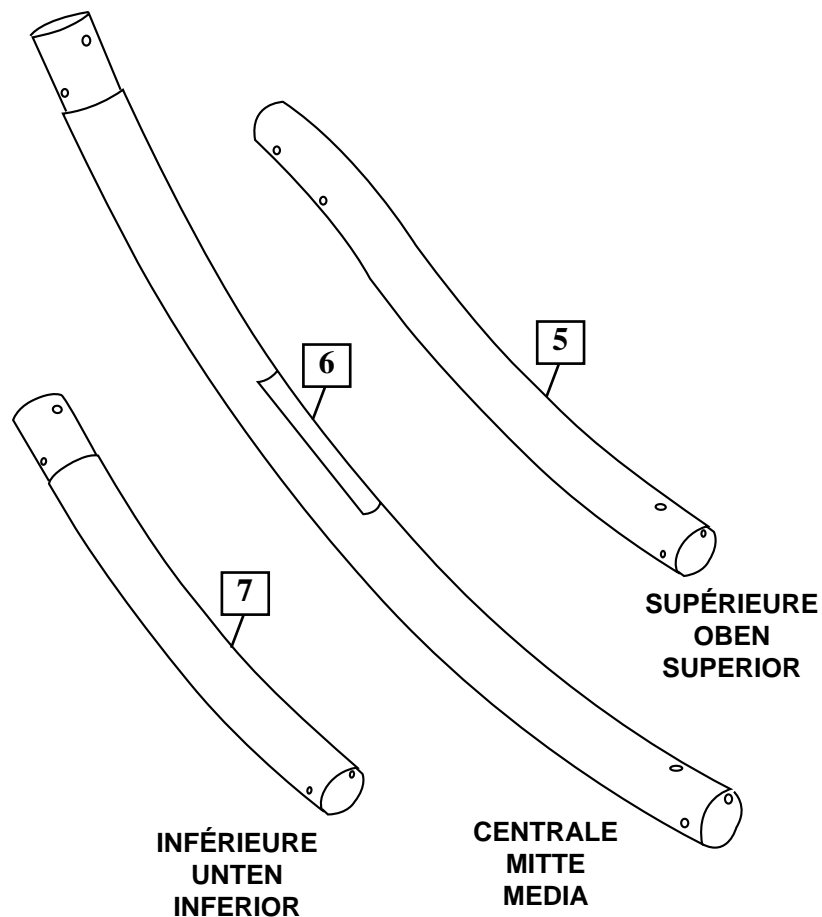


#21 (2)

1. Identifiez correctement chaque section de poteau étiquetée.

Jedes Stangenteil anhand seiner Beschriftung richtig identifizieren.

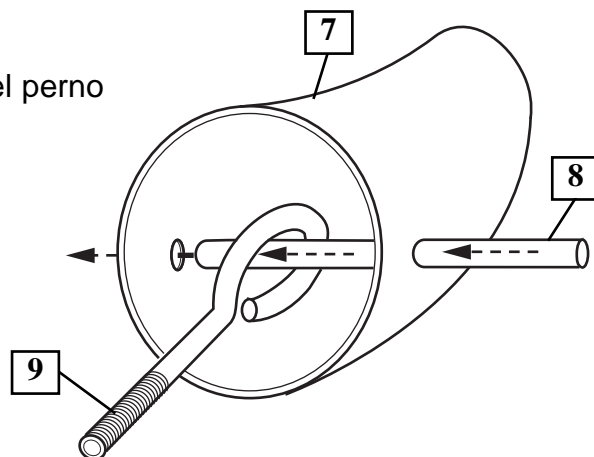
Identifique correctamente cada sección del poste según está rotulada.



2. Enfilez la tige (8) dans les trous de la section de poteau inférieure (7) et dans le boulon à œil (9).

Die Stange (8) durch die Löcher im unteren Stangenteil (7) und die Einschrauböse (9) stecken.

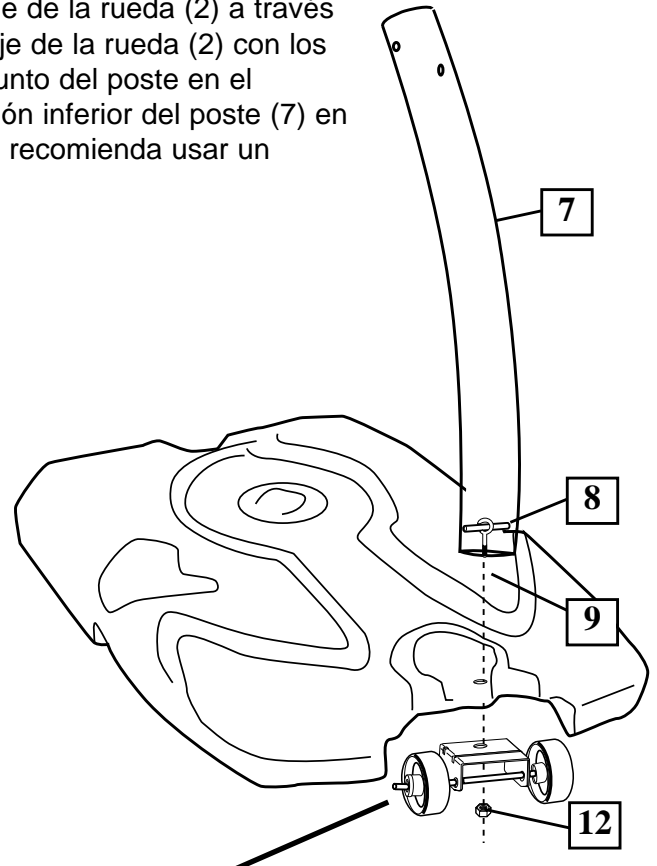
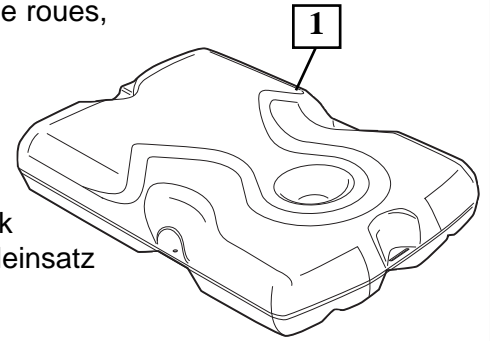
Instale la varilla (8) a través de los orificios que se encuentran en la sección inferior del poste (7) y del perno de anilla (9).



3. Retirez le contenu du pourtour du réservoir. Enfilez l'axe des roues (2) dans le train de roulement (10). Installez les roues (3) sur l'axe des roues (2) avec les entretoises (11), comme illustré. Insérez l'ensemble du poteau dans le réservoir, comme illustré. Fixez le poteau inférieur (7) au réservoir et au support de roues, comme illustré ; l'utilisation d'une douille longue est recommandée.

Den Tank entleeren. Die Radachse (2) durch die Rädergruppe (10) schieben. Die Räder (3) wie gezeigt mit Abstandsstücken (11) an der Radachse (2) befestigen. Den Stangenaufbau wie gezeigt in die Tankbaugruppe stecken. Den untere Stangenteil (7) wie gezeigt am Tank und an der Radklammer befestigen. Dazu wird ein tiefer Steckschlüsseinsatz empfohlen.

Quite el contenido de alrededor del tanque. Instale el eje de la rueda (2) a través del carro portamuela (10). Instale las ruedas (3) en el eje de la rueda (2) con los espaciadores (11) como se muestra. Introduzca el conjunto del poste en el conjunto del tanque como se muestra. Asegure la sección inferior del poste (7) en el tanque y el soporte de la rueda como se muestra, se recomienda usar un receptáculo profundo.



**AVERTISSEMENT !
WARNUNG!
¡ADVERTENCIA!**

Il est obligatoire de s'y prendre à deux pour cette procédure. SUIVEZ CET AVERTISSEMENT SOUS PEINE D'ENCOURIR DES BLESSURES GRAVES ET/OU DES DÉGÂTS MATÉRIELS.

Dieses Schritt muss von zwei Personen ausgeführt werden. EIN MISSACHTEN DIESER WARNUNG KANN ZU SCHWEREN VERLETZUNGEN UND/ODER SACHSCHÄDEN FÜHREN.

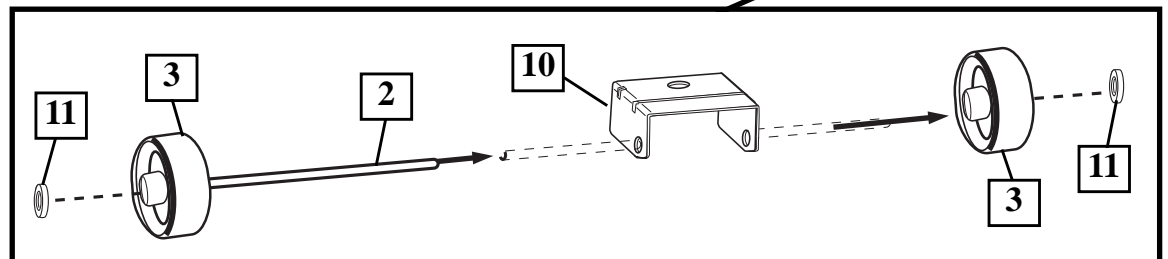
Se requieren dos personas para realizar este procedimiento. SI NO SE OBSERVA ESTA ADVERTENCIA SE PODRÍA OCASIONAR UNA lesión GRAVE Y/O DAÑOS A LA PROPIEDAD.

**IMPORTANT!
WICHTIG!
¡IMPORTANTE!**

L'ENTRETOISE (10) TIENDRA SANS SERRER JUSQU'À SA FIXATION DANS LE TROU DU SOCLE.

DAS ABSTANDSSTÜCK (10) IST LOCKER, BIS ES IN DEN HOHLRAUM DES SOCKELS EINGEPASST WIRD.

EL ESPACIADOR (10) SE AJUSTARÁ HOLSADAMENTE HASTA QUE SE FIJE EN LA CAVIDAD DE LA BASE



**IMPORTANT!
WICHTIG!
¡IMPORTANTE!**

NE SERREZ PAS TROP!

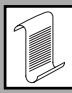
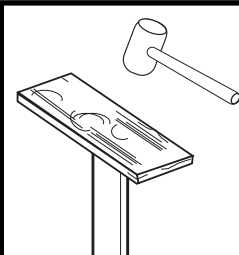
NICHT ZU FEST ANZIEHEN.

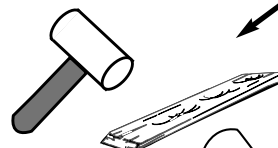
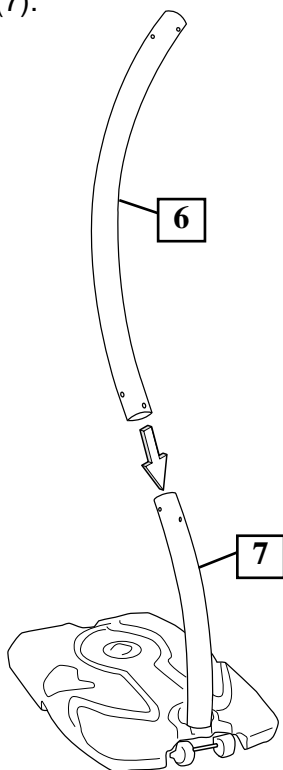
NO APRIETE EXCESIVAMENTE.

4. Attachez la section de poteau centrale (6) sur la section de poteau inférieure (7). Alineez les trous de la section centrale (6) sur ceux de la section inférieure (7).

Das mittlere Stangenteil (6) auf das untere Stangenteil (7) aufsetzen. Die Löcher im mittleren Stangenteil (6) mit dem Lochmuster im unteren Stangenteil (7) zur Deckung bringen.

Conecte la sección media del poste (6) en la sección inferior del poste (7). Alinee los orificios de la sección media del poste (6) con el patrón de orificios de la sección inferior del poste (7).

	<p>REMARQUE: HINWEIS: NOTA:</p>	<p>Vous devrez peut-être taper LÉGÈREMENT sur l'extrémité du poteau pour aligner les trous. Utilisez une chute de bois et un marteau (non fournis).</p>
	<p>Zum Ausrichten der Löcher muss möglicherweise LEICHT gegen das Stangenende geklopft werden. Dazu ein Holzstück und einen Hammer (nicht im Lieferumfang enthalten) verwenden.</p> <p>Es posible que necesite golpear LIGERAMENTE el extremo del poste para alinear los orificios. Use un trozo de madera y un martillo (no se proporcionan).</p>	

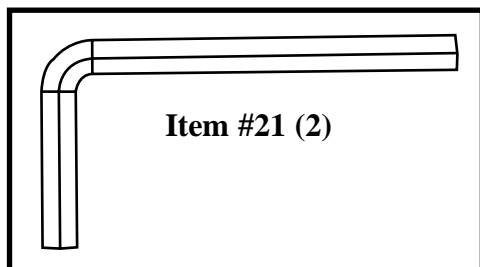
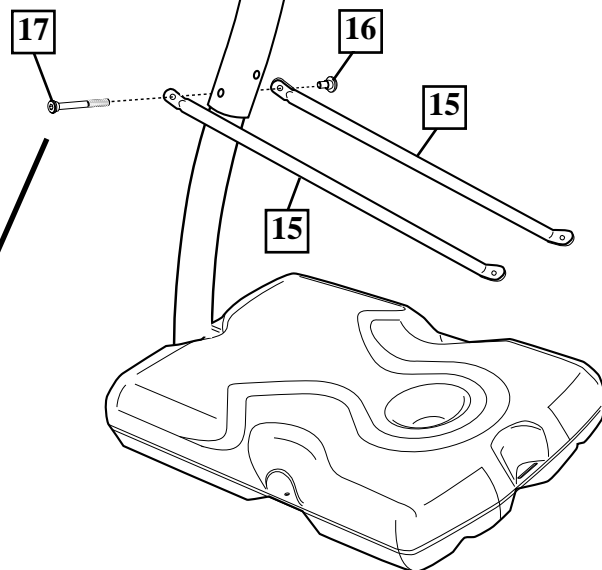


5.

Fixez les contrefiches (15) aux poteaux en utilisant le boulon (17) et l'écrou à portée cylindrique (16) avec les clés Allen fournies (21), comme illustré.

Die Verstrebungen (15) wie gezeigt mit Schraube (17) und Überwurfmutter (16) unter Gebrauch der mitgelieferten Inbusschlüssel (21) befestigen.

Asegure los puntales (15) en los postes usando el perno (17) y la tuerca de la manga (16) con las llaves Allen (21) que se proporcionan, como se muestra.

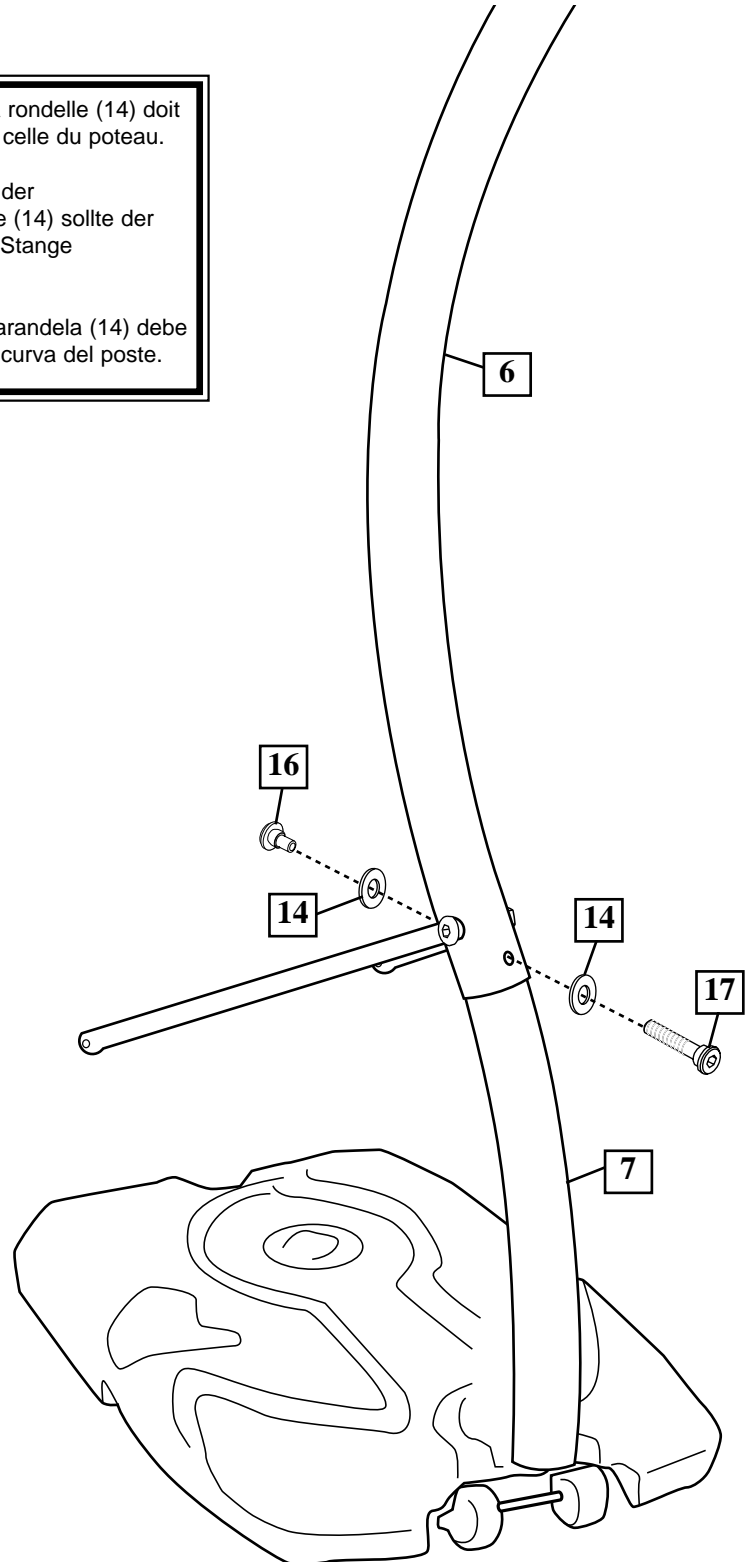


6. Fixez les poteaux en attachant le boulon (17), les rondelles (14) et les écrous à portée cylindrique (16), comme illustré.

Die Stangen durch Anbringen der Schraube (17), der Unterlegscheiben (14) und der Überwurfmutter (16) wie gezeigt sichern.

Fije los postes colocando el perno (17), las arandelas (14) y las tuercas de la manga (16) como se muestra.

	REMARQUE: HINWEIS: NOTA:	La courbe de la rondelle (14) doit correspondre à celle du poteau.
	Die Krümmung der Unterlegscheibe (14) sollte der Krümmung der Stange entsprechen.	La curva de la arandela (14) debe coincidir con la curva del poste.



7. Tournez l'extrémité non fixée des contrefiches du socle (15), comme illustré. Fixez les contrefiches du socle (15) au socle à l'aide des boulons (18), des rondelles (19) et des écrous (20).

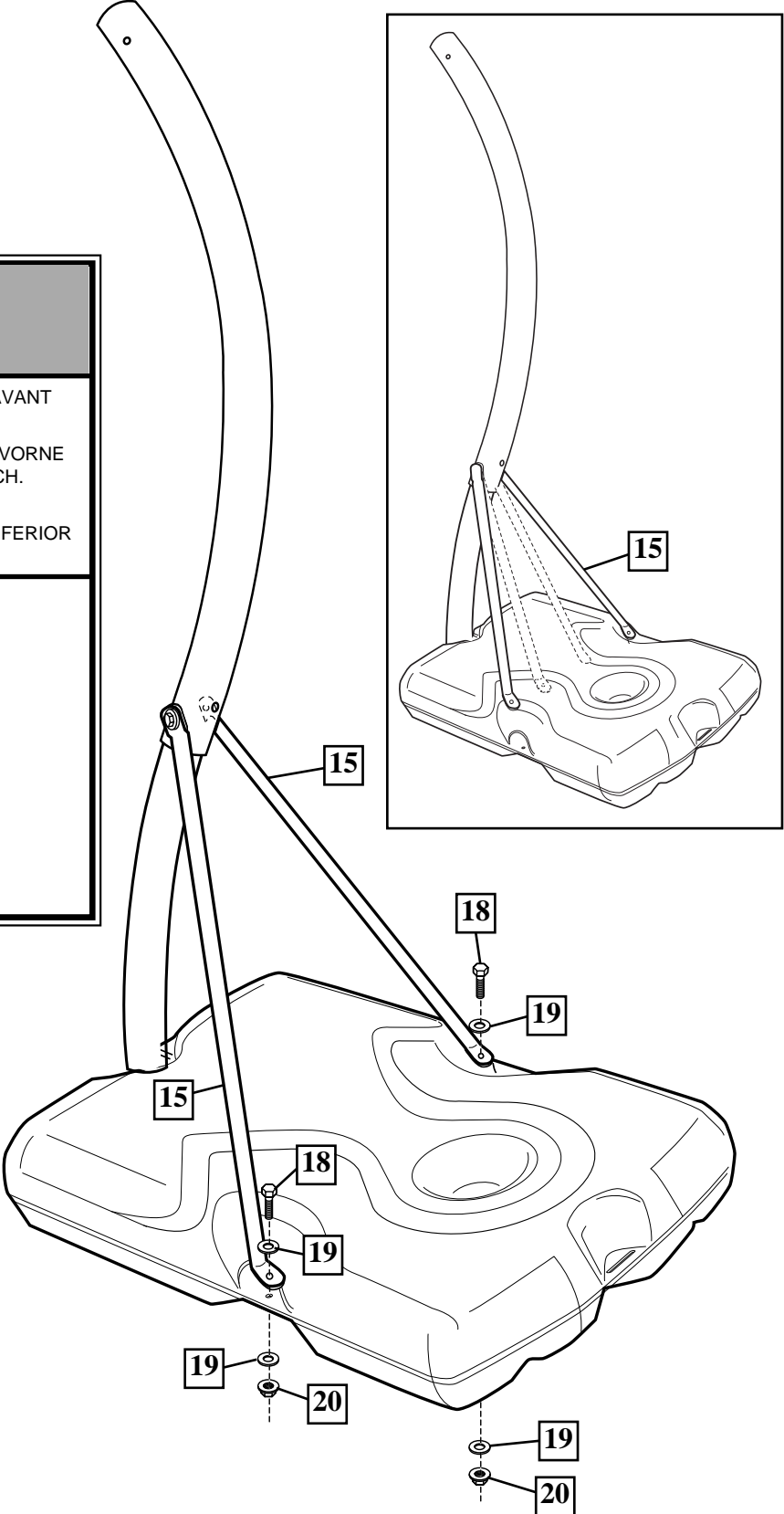
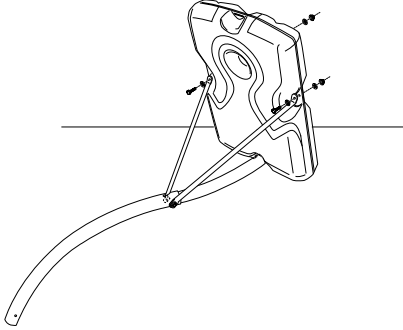
Die ungesicherten Enden der Sockelverstreungen (15) wie gezeigt drehen. Die Sockelverstreungen (15) mit Schrauben (18), Unterlegscheiben (19) und Muttern (20) am Sockel befestigen.

Gire los extremos no fijos de los puntales de la base (15) como se muestra. Fije los puntales de la base (15) en la base usando pernos (18), arandelas (19) y tuercas (20).



REMARQUE:
HINWEIS:
NOTA:

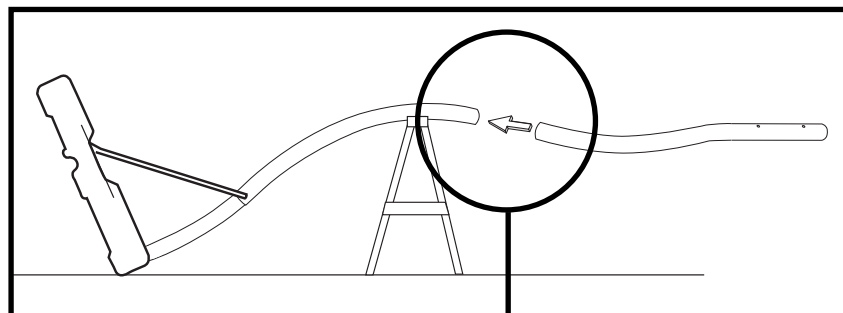
BASCULEZ AVEC PRÉCAUTION LE SYSTÈME VERS L'AVANT POUR FACILITER L'ACCÈS AU DESSOUS DU SOCLE.
DURCH VORSICHTIGES KIPPEN DES SYSTEMS NACH VORNE WIRD DIE SOCKELUNTERSEITE LEICHTER ZUGÄNGLICH.
SI SE INCLINA CUIDADOSAMENTE EL SISTEMA HACIA ADELANTE SE FACILITARÁ EL ACCESO A LA PARTE INFERIOR DE LA BASE.



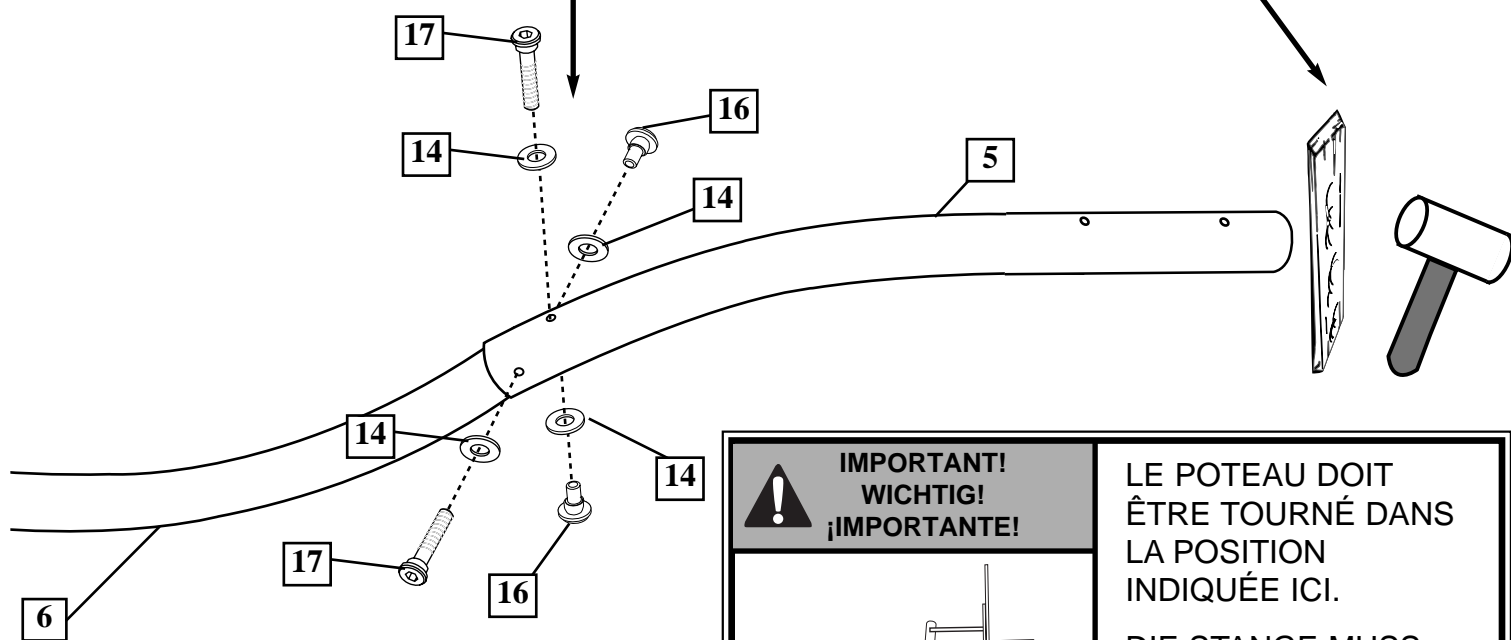
- 8.** Appuyez le poteau sur le banc de sciage. Attachez la section de poteau supérieure (5) à la section de poteau centrale (6) à l'aide des boulons (17), des rondelles (14) et des écrous (16), comme illustré.

Die Stange auf einen Sägebock legen. Das obere Stangenteil (5) wie gezeigt mit Schrauben (17), Unterlegscheiben (14) und Muttern (16) am mittleren Stangenteil (6) befestigen.

Apoye el poste en un caballete de aserrar. Conecte la parte superior del poste (5) a la sección media del poste (6) usando pernos (17), arandelas (14) y tuercas (16) como se muestra.



	REMARQUE: HINWEIS: NOTA:	Vous devrez peut-être tapoter LÉGÈREMENT sur l'extrémité du poteau pour aligner les trous. Utilisez une chute de bois et un marteau (non fournis).
	Zum Ausrichten der Löcher muss möglicherweise LEICHT gegen das Stangenende geklopft werden. Dazu ein Holzstück und einen Hammer (nicht im Lieferumfang enthalten) verwenden. Es posible que necesite golpear LIGERAMENTE el extremo del poste para alinear los orificios. Use un trozo de madera y un martillo (no se proporcionan).	



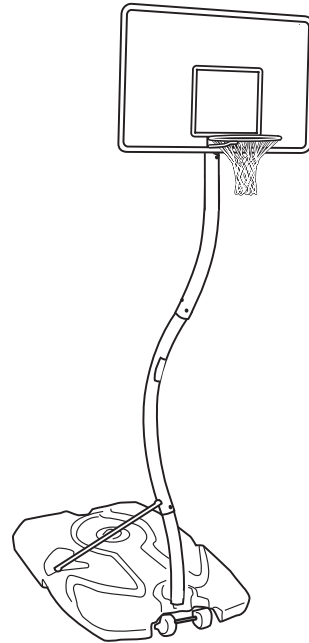
	IMPORTANT! WICHTIG! ¡IMPORTANTE!	<p>LE POTEAU DOIT ÊTRE TOURNÉ DANS LA POSITION INDICUÉE ICI.</p> <p>DIE STANGE MUSS SICH IN DER HIER ABGEBILDETEN POSITION BEFINDEN.</p> <p>EL POSTE NECESITA QUEDAR ORIENTADO HACIA LA DIRECCIÓN QUE SE INDICA AQUÍ.</p>

SECTION B : ATTACHEZ LE PANNEAU
BAUABSCHNITT B: ANBRINGEN DER KORBWAND
SECCIÓN B: CONECTE EL RESPALDO

Voici à quoi ressemblera votre système lorsque vous en aurez fini avec cette section:

So sieht das System aus, wenn Sie mit diesem Bauabschnitt fertig sind:

Así es como se verá su sistema cuando haya terminado esta sección:



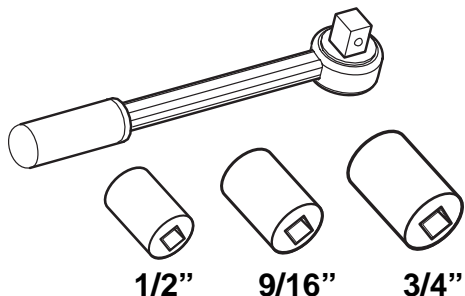
OUTILS REQUIS POUR CETTE SECTION
FÜR DIESEN BAUABSCHNITT BENÖTIGTES WERKZEUG
HERRAMIENTAS REQUERIDAS PARA ESTA SECCIÓN

(2) clés 1/2", (2) clés 9/16" ET (2) clés 3/4"
(2) 1/2", (2) 9/16" UND (2) 3/4" Schraubenschlüssel
(2) Llaves de 1/2", (2) de 9/16" Y (2) de 3/4"



ET/OU
UND/ODER
Y/O

(2) clés à douilles et douilles

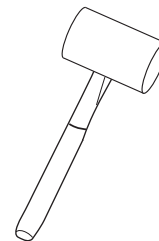


1/2"

9/16"

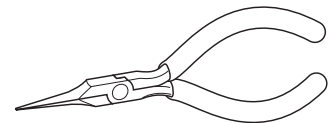
3/4"

Un marteau ou un maillet
Hammer
Martillo



ET
UND
Y

Une pince à becs pointus
Nadelzange
Pinzas de punta de aguja

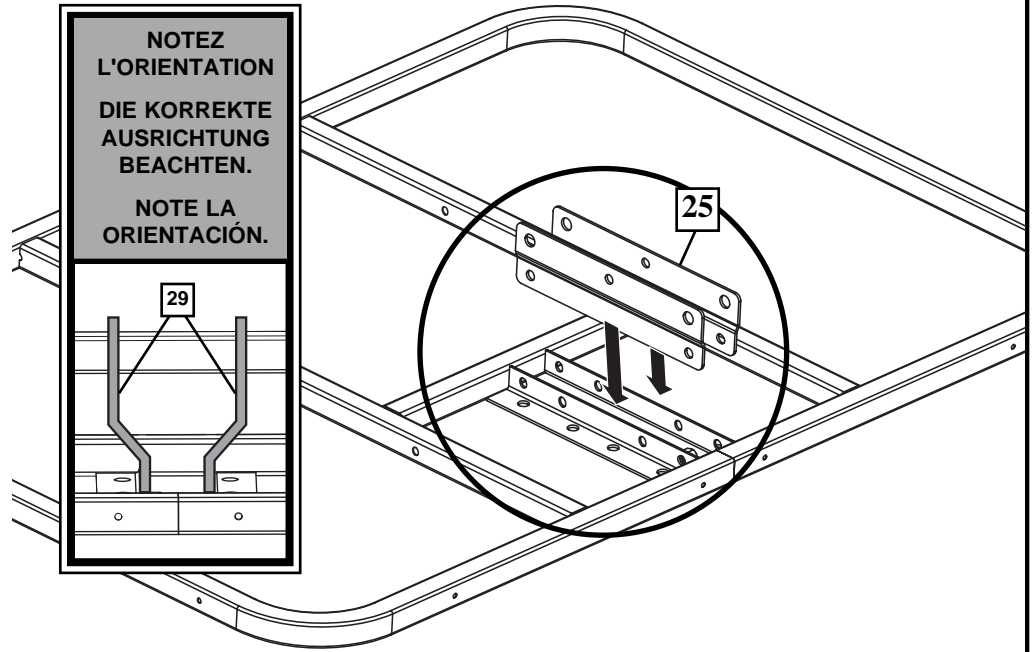


1.

Placez les supports de panneau (25) entre les contrefiches du panneau, comme illustré.

Die Korbwandklammern (25) wie gezeigt zwischen die Korbwandverstreben einsetzen.

Coloque los soportes del respaldo (25) entre los puntales del respaldo como se muestra.

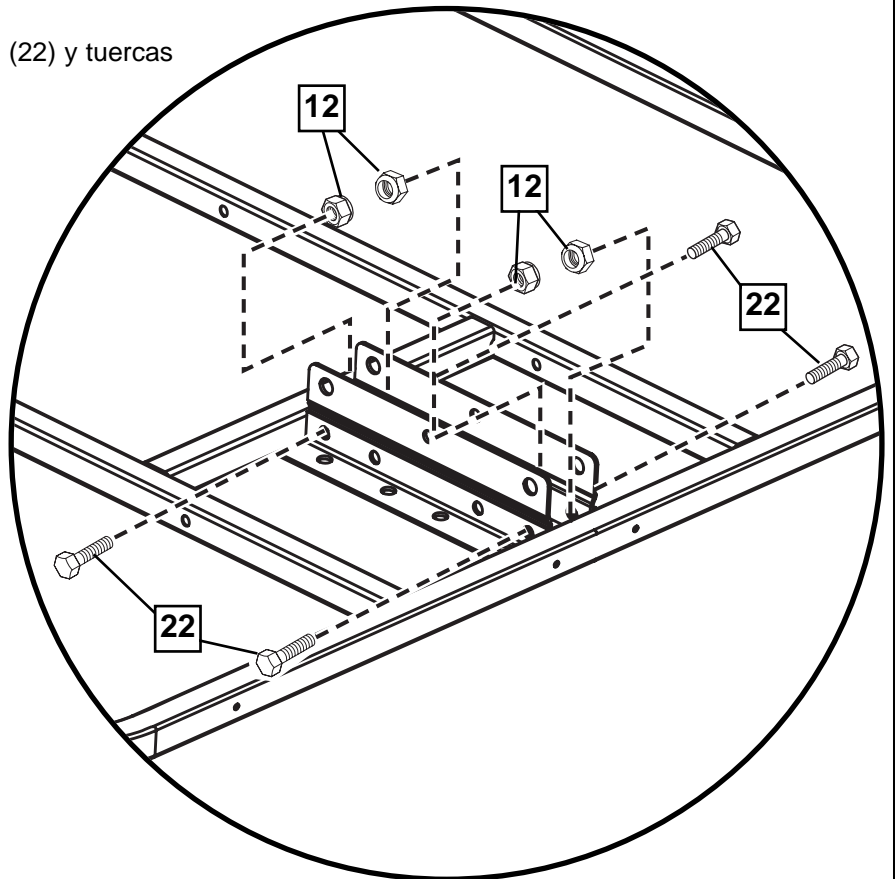


2.

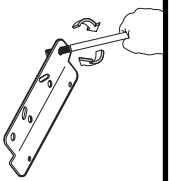
Assemblez les supports de panneau (25) à l'aide des boulons (22) et des écrous (12), comme illustré.

Die Korbwandklammern (25) wie gezeigt mit Schrauben (22) und Muttern (12) zusammenbauen.

Monte los soportes del respaldo (25) usando pernos (22) y tuercas (12) como se muestra.



**IMPORTANT!
IMPORTANT!
WICHTIG!
¡IMPORTANTE!**



Test fit bolts into holes of brackets and carefully rock them in a circular motion to ream out paint from holes if necessary.

Testez l'ajustement des boulons dans les trous des supports et basculez-les en tournant doucement pour retirer la peinture des trous si nécessaire.

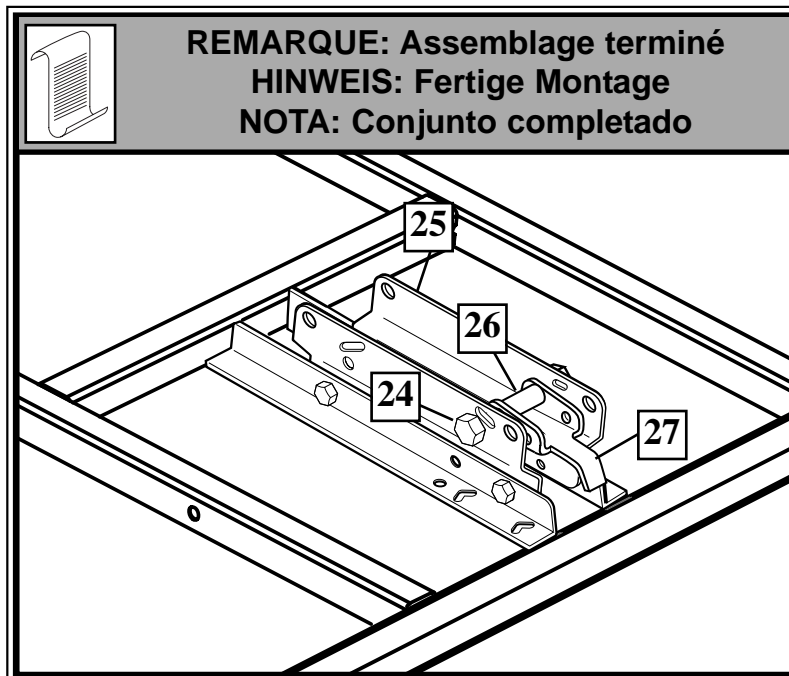
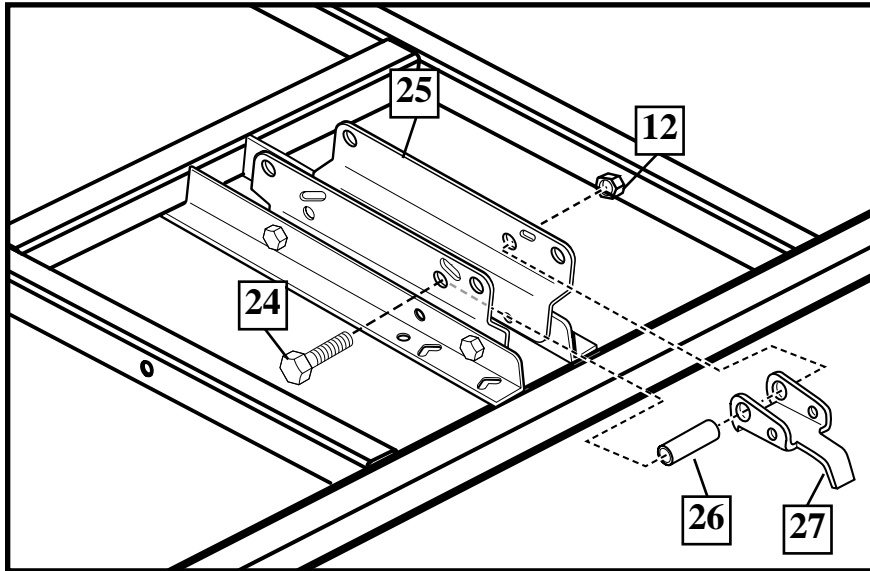
Die Schrauben zur Probe in die Bohrungen der Klammern stecken und sie vorsichtig in einer Kreisbewegung hin- und herbewegen, um eventuelle Farbreste aus den Bohrungen zu entfernen.

Pruebe el ajuste de los pernos en los orificios de los soportes y cuidadosamente hágalos girar para quitar la pintura de los orificios, si es necesario.

3. Installez l'entretoise (26) dans le cliquet (27). Ensuite, insérez le cliquet entre les supports du panneau (25) et fixez avec le boulon (24) et l'écrou (12).

Das Abstandsstück (26) in die Klinke (27) einpassen. Dann die Sperrklinkengruppe zwischen die Korbwandklammern (25) einsetzen und mit Schraube (24) und Mutter (12) befestigen.

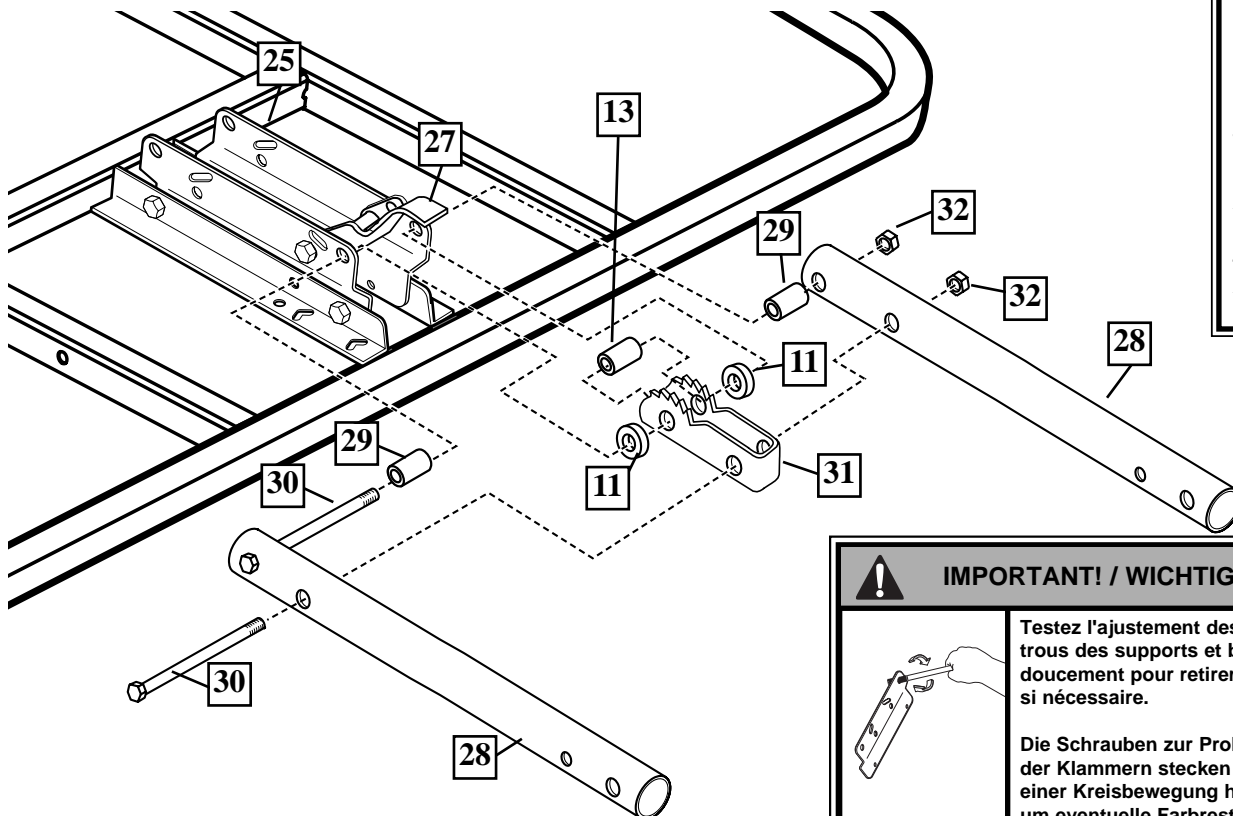
Ajuste el separador (26) en el fiador (27). Luego, introduzca el conjunto del fiador entre los soportes del respaldo (25) y asegure con pernos (24) y tuercas (12).



4. Attachez les tubes inférieurs du système élévateur (28) aux supports du panneau (25) à l'aide des entretoises (29 & 11), des boulons (30), de l'entretoise (13), du cliquet (31) et des écrous (32), comme illustré.

Die unteren Verlängerungsrohre (28 wie gezeigt mit Abstandsstücken (29 u. 11), Schrauben (30), Abstandstück (13), Ratsche (31) und Muttern (32) an den Korbwandklammern (25) befestigen.

Conecte los tubos elevadores inferiores (28) en los soportes del respaldo (25) usando espaciadores (29 y 11), pernos (30), espaciador (13), trinquete (31) y tuercas (32) como se muestra.



**AVERTISSEMENT !
WARNUNG!
¡ADVERTENCIA!**

CESSEZ DE SERRER L'ÉCROU (32) DÈS QU'IL EST AU MÊME NIVEAU QUE L'EXTRÉMITÉ DU BOULON (30).

DIE MUTTER (32) NUR SO WEIT ANZIEHEN, BIS SIE BÜNDIG MIT DEM ENDE DER SCHRAUBE (30) ABSCHLIESST.

DEJE DE APRETAR LA TUERCA (32) CUANDO ESTÉ AL RAS DEL EXTREMO DEL PERNO (30).

IMPORTANT! / WICHTIG! / ¡IMPORTANTE!

Testez l'ajustement des boulons dans les trous des supports et basculez-les en tournant doucement pour retirer la peinture des trous si nécessaire.

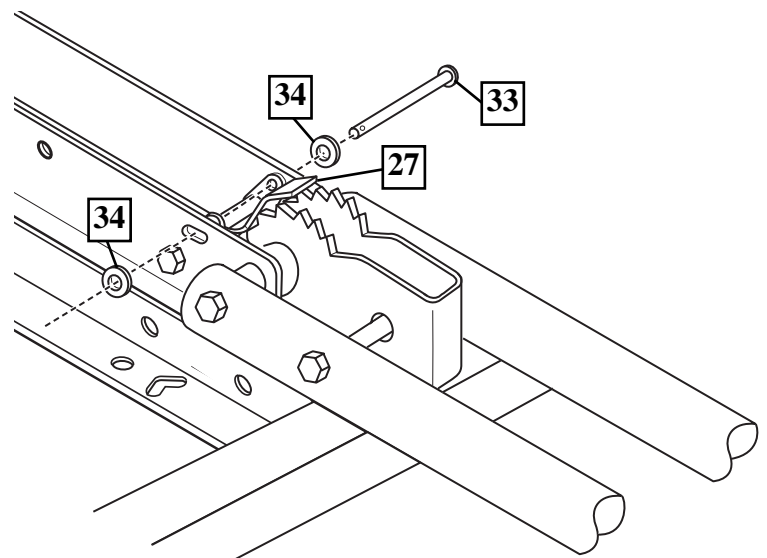
Die Schrauben zur Probe in die Bohrungen der Klammern stecken und sie vorsichtig in einer Kreisbewegung hin- und herbewegen, um eventuelle Farbreste aus den Bohrungen zu entfernen.

Pruebe el ajuste de los pernos en los orificios de los soportes y cuidadosamente hágalos girar para quitar la pintura de los orificios, si es necesario.

5. Fixez le cliquet (27) en position avec l'axe à épaulement (33) et les rondelles (34).

Die Klinke (27) mit dem Lastösenbolzen (33) und den Unterlegscheiben (34) in der Einbauposition sichern.

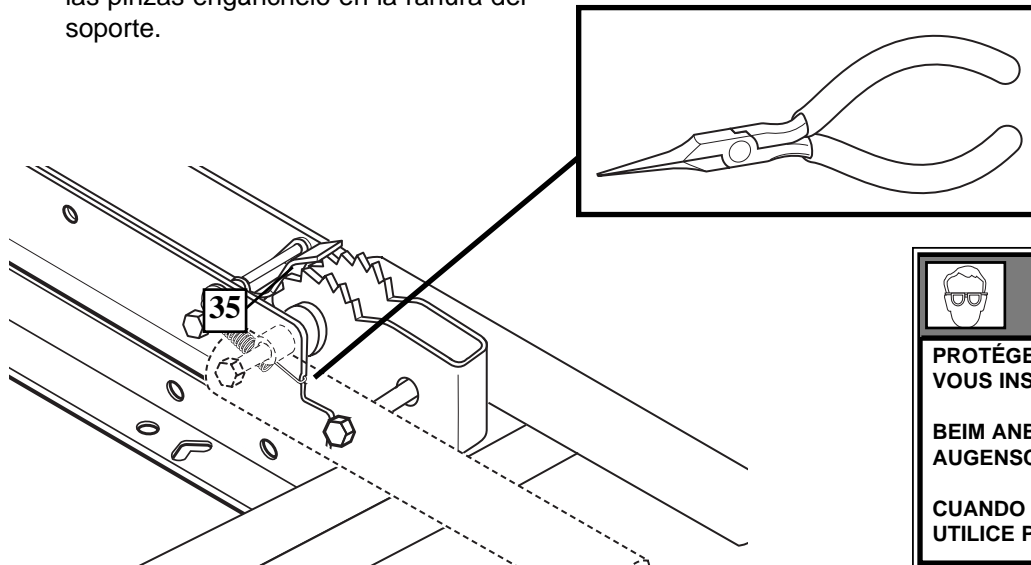
Fije el fiador (27) en su lugar con un pasador de horquilla (33) y arandelas (34).



6. Accrochez une extrémité du ressort (35) au trou de l'axe à épaulement (33). Tendez le ressort (35) et accrochez-le à l'encoche du support avec la pince.

Ein Ende der Feder (35) im Loch des Lastösenbolzens (33) einhaken. Die Feder (35) dehnen und mit einer Zange in der Kerbe der Halterung einhaken.

Enganche un extremo del resorte (35) en el orificio del pasador de horquilla (33). Estire el resorte (35) y con las pinzas engánchelo en la ranura del soporte.



**AVERTISSEMENT !
WARNING!
¡ADVERTENCIA!**

PROTÉGEZ-VOUS LES YEUX LORSQUE VOUS INSTALLEZ DES RESSORTS.

BEIM ANBRINGEN DER FEDERN AUGENSCHUTZ TRAGEN!

CUANDO INSTALE LOS RESORTES UTILICE PROTECTORES OCULARES.

7. Insérez le boulon à T (36) dans le support du Slam Jam (37), comme illustré à la figure A. Attachez le support du Slam Jam et le boulon à T (37 & 36) au panneau à l'aide des boulons (18) et des écrous (20), comme illustré.

Die T-Nutenschraube (36) wie in ABB. A gezeigt durch die Slam Jam-Halterung (37) schieben. Die Slam Jam-Halterung und die T-Nutenschraubengruppe (37 u. 36) wie gezeigt mit Schrauben (18) und Muttern (20) an der Korbwand befestigen.

Introduzca el perno "T" (36) a través del soporte Slam Jam (37) como se muestra en la FIG. A. Conecte el conjunto del soporte Slam Jam y el perno "T" (37 y 36) en el respaldo usando los pernos (18) y las tuercas (20) como se muestra.

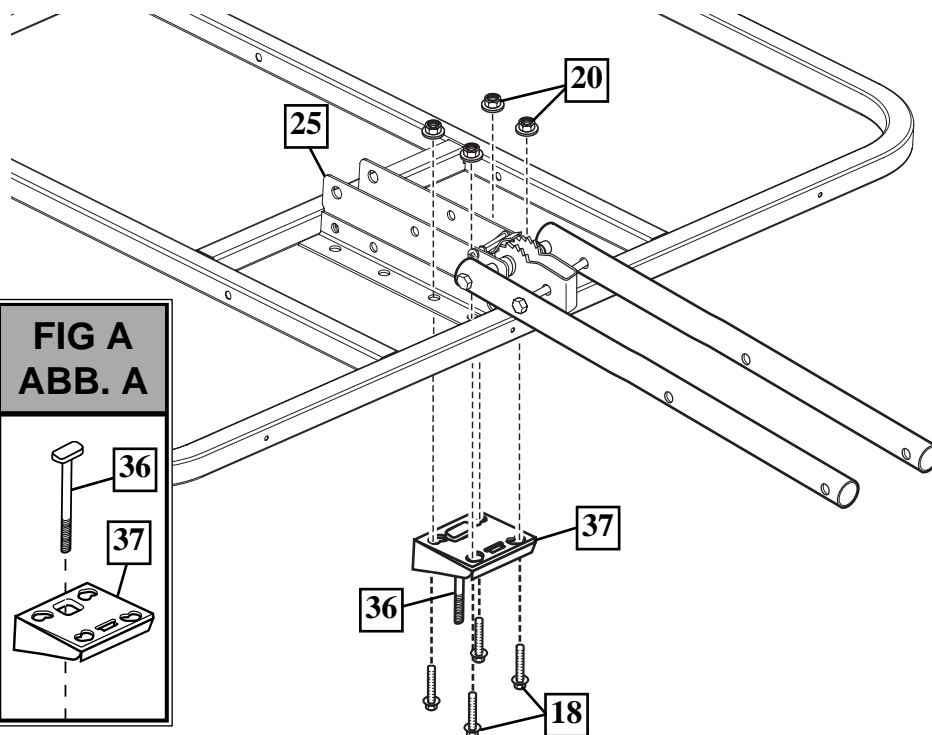
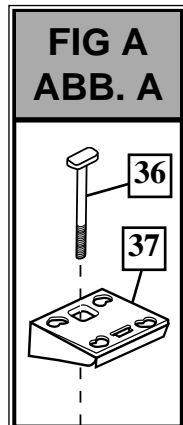


**AVERTISSEMENT !
WARNING!
¡ADVERTENCIA!**

Il est obligatoire de s'y prendre à deux pour cette procédure. SUIVEZ CET AVERTISSEMENT SOUS PEINE D'ENCOURIR DES BLESSURES GRAVES ET/OU DES DÉGÂTS MATÉRIELS.

Dieses Schritt muss von zwei Personen ausgeführt werden. EIN MISSACHTEN DIESER WARNUNG KANN ZU SCHWEREN VERLETZUNGEN UND/ODER SACHSCHÄDEN FÜHREN.

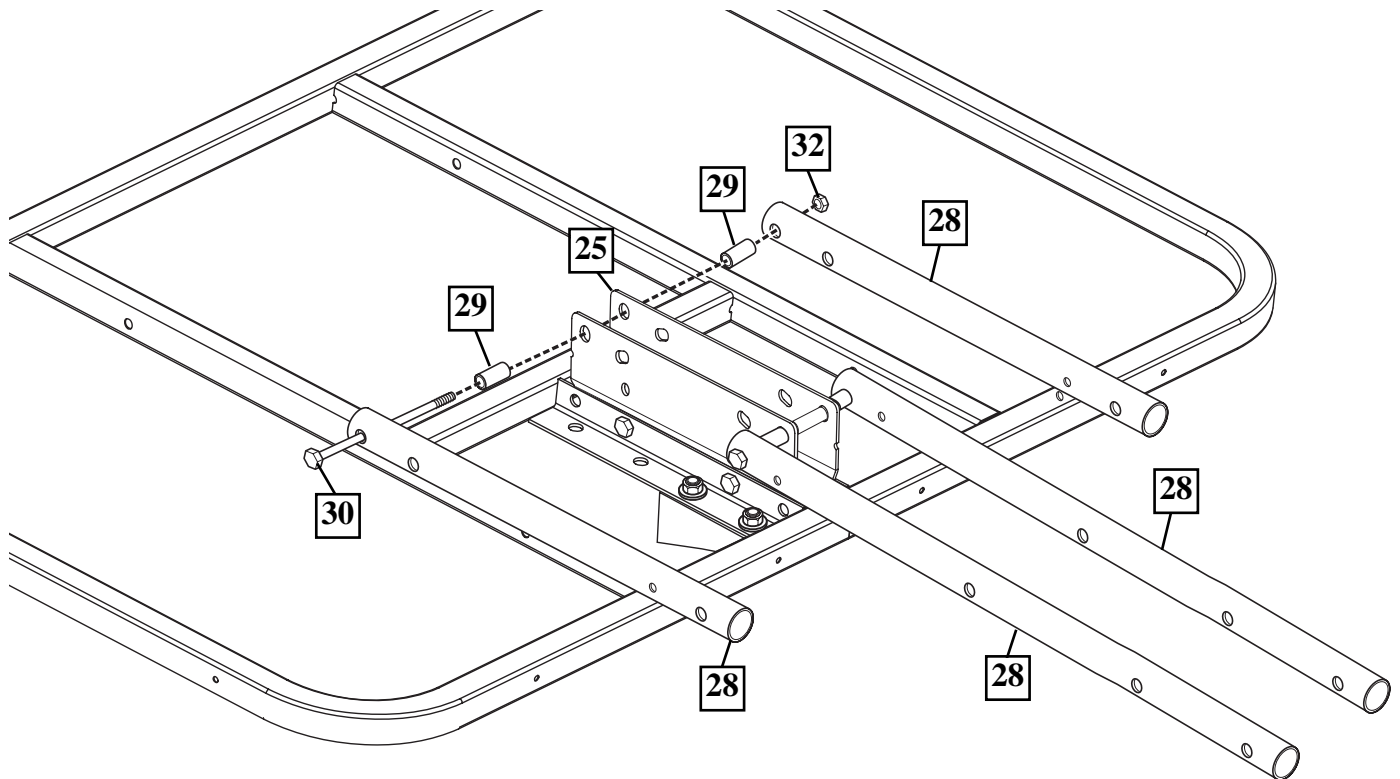
Se requieren dos personas para realizar este procedimiento. SI NO SE OBSERVA ESTA ADVERTENCIA SE PODRÍA OCASIONAR UNA lesión GRAVE Y/O DAÑOS A LA PROPIEDAD.



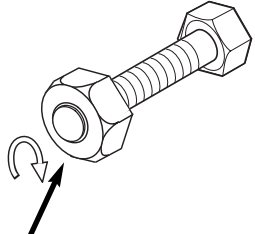
8. Attachez les tubes supérieurs de l'élévateur (28) aux supports du panneau (25) à l'aide des entretoises (29), du boulon (30) et de l'écrou (32), comme illustré.

Die oberen Verlängerungsrohre (28) wie gezeigt mit Abstandsstücken (29), Schraube (30) und Mutter (32) an den Korbwandklammern (25) befestigen.

Conecte los tubos elevadores superiores (28) en los soportes del respaldo (25) usando espaciadores (29), perno (30) y tuerca (32) como se muestra.



**AVERTISSEMENT !
WARNUNG!
¡ADVERTENCIA!**

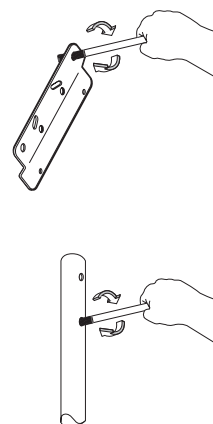


CESSEZ DE SERRER L'ÉCROU (32) DÈS QU'IL EST AU MÊME NIVEAU QUE L'EXTRÉMITÉ DU BOULON (30).

DIE MUTTER (32) NUR SO WEIT ANZIEHEN, BIS SIE BÜNDIG MIT DEM ENDE DER SCHRAUBE (30) ABSCHLIESST.

DEJE DE APRETAR LA TUERCA (32) CUANDO ESTÉ AL RAS DEL EXTREMO DEL PERNO (30).

IMPORTANT! / WICHTIG! / ¡IMPORTANTE!



Testez l'ajustement des boulons dans les trous des supports et basculez-les en tournant doucement pour retirer la peinture des trous si nécessaire.

Die Schrauben zur Probe in die Bohrungen der Klammern stecken und sie vorsichtig in einer Kreisbewegung hin- und herbewegen, um eventuelle Farbreste aus den Bohrungen zu entfernen.

Pruebe el ajuste de los pernos en los orificios de los soportes y cuidadosamente hágalos girar para quitar la pintura de los orificios, si es necesario.

9.

Appuyez le poteau sur le banc de sciage. Attachez les tubes supérieurs et inférieurs du système élévateur (28) à la section de poteau supérieure (4) à l'aide des boulons (30) et des écrous (32), comme illustré. Placez le capuchon (38) sur le poteau, comme illustré.

Die Stange auf einen Sägebock legen. Die oberen und unteren Verlängerungsrohre (28) wie gezeigt mit Schrauben (30) und Muttern (32) am oberen Stangenteil (4) befestigen. Die Stangenkappe (38) wie gezeigt aufsetzen.

Apoye el poste en un caballete de aserrar. Conecte los tubos elevadores superiores e inferiores (28) en la sección superior del poste (4) usando pernos (30) y tuercas (32) como se muestra. Conecte la tapa del poste (38) como se muestra.



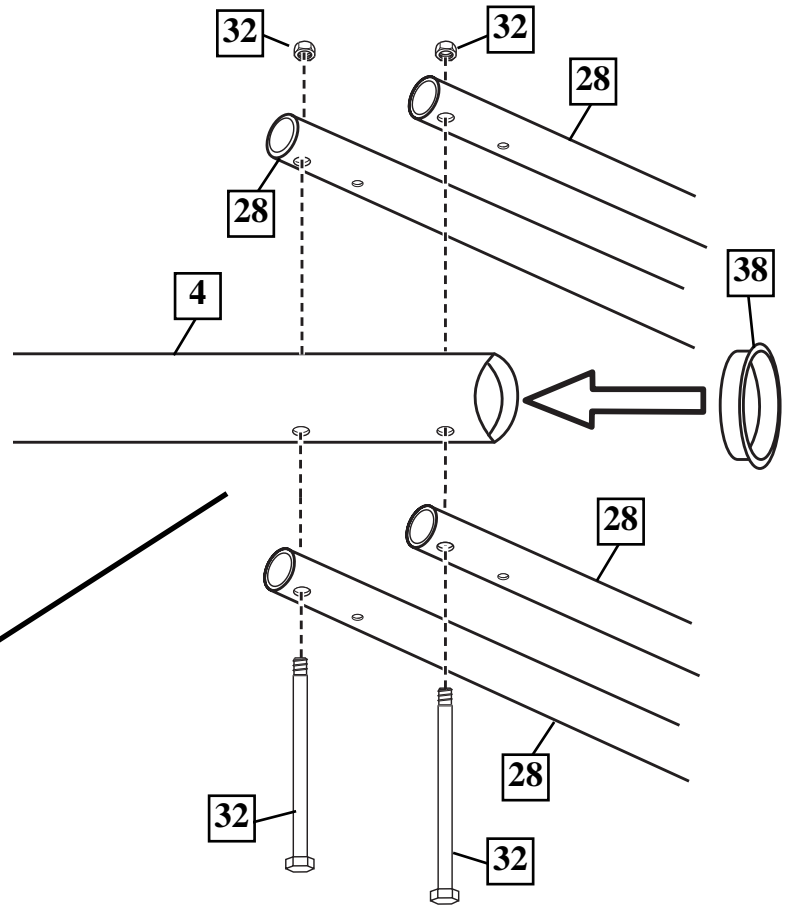
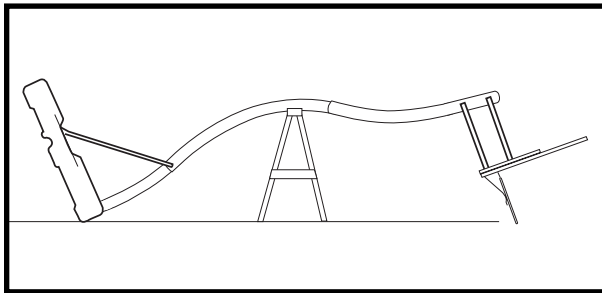
**AVERTISSEMENT !
WARNING!
¡ADVERTENCIA!**



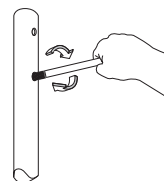
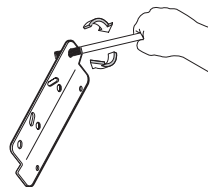
Il est obligatoire de s'y prendre à deux pour cette procédure. SUIVEZ CET AVERTISSEMENT SOUS PEINE D'ENCOURIR DES BLESSURES GRAVES ET/OU DES DÉGÂTS MATÉRIELS.

Dieses Schritt muss von zwei Personen ausgeführt werden. EIN MISSACHTEN DIESER WARNUNG KANN ZU SCHWEREN VERLETZUNGEN UND/ODER SACHSCHÄDEN FÜHREN.

Se requieren dos personas para realizar este procedimiento. SI NO SE OBSERVA ESTA ADVERTENCIA SE PODRÍA OCASIONAR UNA lesión GRAVE Y/O DAÑOS A LA PROPIEDAD.



IMPORTANT! / WICHTIG! / ¡IMPORTANTE!



Testez l'ajustement des boulons dans les trous des supports et basculez-les en tournant doucement pour retirer la peinture des trous si nécessaire.

Die Schrauben zur Probe in die Bohrungen der Klammern stecken und sie vorsichtig in einer Kreisbewegung hin- und herbewegen, um eventuelle Farbreste aus den Bohrungen zu entfernen.

Pruebe el ajuste de los pernos en los orificios de los soportes y cuidadosamente hágalos girar para quitar la pintura de los orificios, si es necesario.

Installez le cerceau Slam Jam sur le panneau.

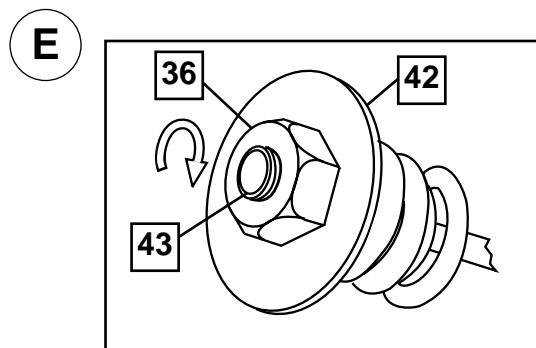
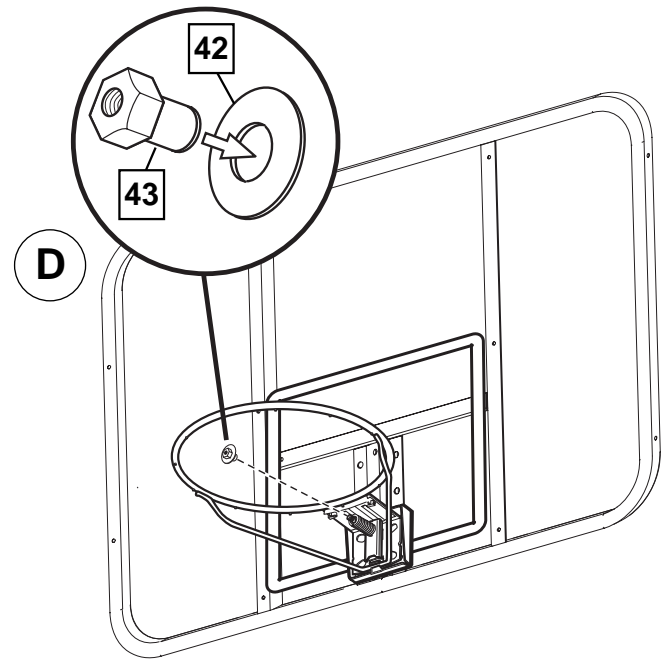
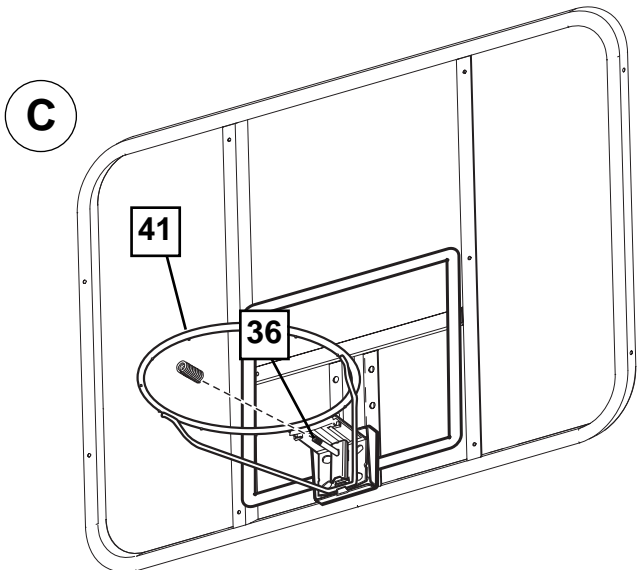
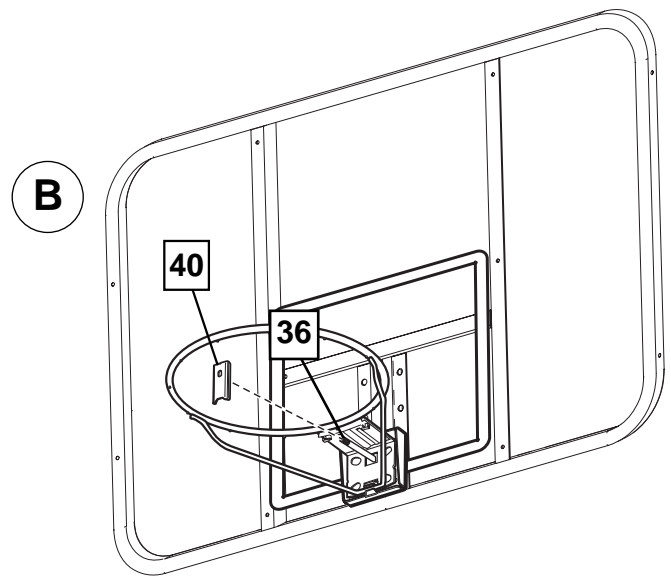
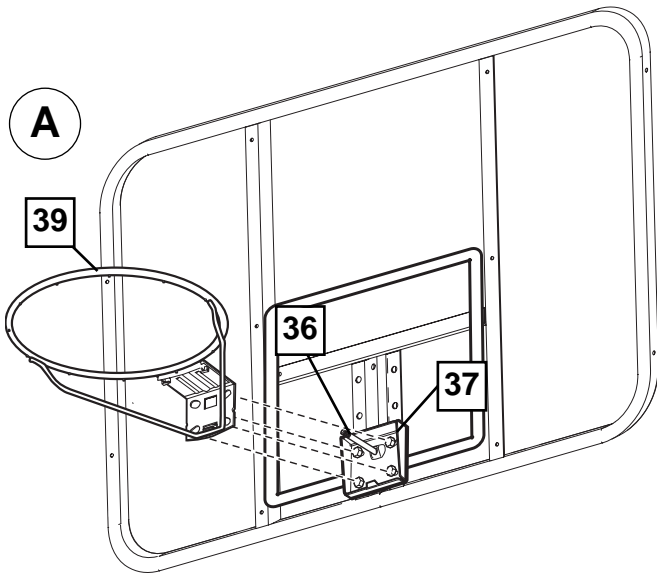
- A. Calez bien le cerceau (39) dans le support (47), comme illustré. Laissez glisser le boulon à T (36) à travers le trou central du cerceau (39).
- B. Installez le support de renforcement (40) sur le boulon à T (36), comme illustré.
- C. Installez le ressort (41) sur le boulon à T (36), comme illustré.
- D. Installez l'écrou spécial (43) et la rondelle (42) sur le boulon à T (36).
- E. Serrez l'écrou (43) jusqu'à ce qu'il se trouve au même niveau que l'extrémité du boulon à T (36).

Den Slam Jam-Korbrand an der Korbwand befestigen.

- A. Den Korbrand (39) wie gezeigt in die Halterung (47) einsetzen. Die T-Nutenschraube (36) gleitet durch das mittlere Loch im Korbrand (39).
- B. Die Verstärkungshalterung (40) wie gezeigt über die T-Nutenschraube (36) schieben.
- C. Die Feder (41) wie gezeigt auf der T-Nutenschraube (36) anbringen.
- D. Die Spezialmutter (43) und Unterlegscheibe (42) auf der T-Nutenschraube (36) anbringen.
- E. Die Mutter (43) anziehen, bis sie bündig mit dem Ende der T-Nutenschraube (36) abschließt.

Instale el borde Slam Jam en el respaldo

- A. Ajuste el borde (39) seguramente en el soporte (47) como se muestra. Permita que el perno en T (36) se deslice a través del orificio central del borde (39).
- B. Instale el soporte de refuerzo (40) en el perno T (36) como se muestra.
- C. Instale el resorte (41) en el perno T (36) como se muestra.
- D. Instale la tuerca especial (43) y la arandela (42) en el perno T (36).
- E. Apriete la tuerca (43) hasta que quede al ras del extremo del perno T (36).



SECTION C : APPLIQUEZ L'ÉTIQUETTE DE HAUTEUR ET DE DÉPLACEMENT ET LE SYSTÈME DE FIXATION

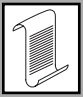
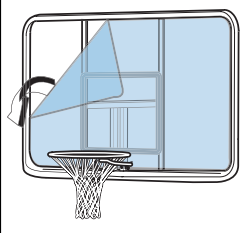
BAUABSCHNITT C: ANBRINGUNG DES HÖHENEINSTELL- UND TRANSPORTAUFKLEBERS UND DES SICHERUNGSSYSTEMS

SECCIÓN C: APLICACIÓN DE LA ETIQUETA DE ALTURA Y MOVIMIENTO Y FIJACIÓN DEL SISTEMA

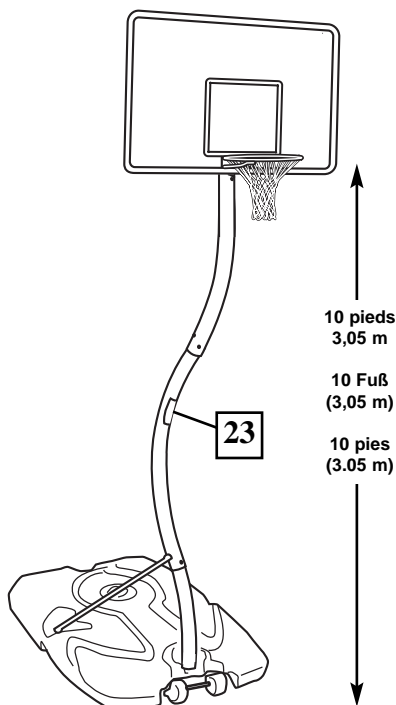
1. Redressez l'ensemble avec précaution. Collez l'étiquette de déplacement du système (23) sur l'avant du poteau, comme illustré. La hauteur réglementaire du cerceau est de 3,05 m (10 pieds).

Den Aufbau vorsichtig aufrichten. Den Transportaufkleber (23) wie gezeigt an der Vorderseite der Stange anbringen. Der Korbrand wird den offiziellen Regeln gemäß in einer Höhe von 3,05 m (10 Fuß) angebracht.

Con cuidado coloque el conjunto en posición vertical. Aplique la calcomanía de movimiento del sistema (23) en la parte frontal del poste como se muestra. La altura reglamentaria del borde es de 10 pies (3,05 m).

 <p>REMARQUE: HINWEIS: NOTA:</p>	<p>Décollez le film de protection de la surface du panneau en acrylique avant usage.</p> <p>Vor Gebrauch die Schutzfolie von der Oberfläche der Akryl-Korbwand abziehen.</p> <p>Desprenda la película protectora de la superficie del respaldo de acrílico antes de usarlo.</p>
	

	<p>AVERTISSEMENT! WARNING! ¡ADVERTENCIA!</p>
	<p>Il est obligatoire de s'y prendre à deux pour cette procédure. SUIVEZ CET AVERTISSEMENT SOUS PEINE D'ENCOURIR DES BLESSURES GRAVES ET/OU DES DÉGÂTS MATÉRIELS.</p> <p>Dieses Schritt muss von zwei Personen ausgeführt werden. EIN MISSACHTEN DIESER WARNUNG KANN ZU SCHWEREN VERLETZUNGEN UND/ODER SACHSCHÄDEN FÜHREN.</p> <p>Se requieren dos personas para realizar este procedimiento. SI NO SE OBSERVA ESTA ADVERTENCIA SE PODRÍA OCASIONAR UNA lesión GRAVE Y/O DAÑOS A LA PROPIEDAD.</p>
	<p>AVERTISSEMENT! WARNING! ¡ADVERTENCIA!</p>
	<p>NE LAISSEZ PAS L'ENSEMBLE SANS SURVEILLANCE LORSQU'IL EST VIDE, CAR IL RISQUE DE BASCULER.</p> <p>DIE VORRICHTUNG IM LEEREN ZUSTAND NICHT UNBEAUFICHTIGT LASSEN, DA SIE UMKIPPEN KÖNNTE.</p> <p>NO DEJE EL CONJUNTO DESATENDIDO CUANDO ESTÉ VACÍO, YA QUE SE PUEDE LADEAR.</p>
	<p>AVERTISSEMENT! WARNING! ¡ADVERTENCIA!</p>
	<p>INTERDISEZ À UN ENFANT DE RÉGLER LA HAUTEUR.</p> <p>KINDERN DARF DAS VERSTELLEN DER HÖHE NICHT GESTATTET WERDEN.</p> <p>NO PERMITA QUE LOS NIÑOS AJUSTEN LA ALTURA.</p>

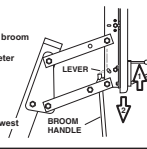


23

HEIGHT ADJUSTMENT

TO ADJUST BACKBOARD:

- TO RAISE BACKBOARD:** Slowly push up on the rim with broom handle or wooden dowel, 3/4" - 7/8" (19mm - 22mm) diameter as shown to engage locking mechanism at desired height.
- TO LOWER BACKBOARD:** Push lever up to unlock and carefully lower backboard to lowest position.



MOVING SYSTEM

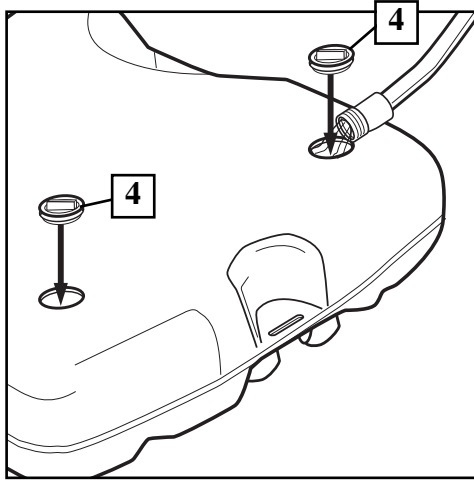
- Adjust basketball backboard height to lowest position.
- While holding pole, rotate basketball system forward until wheels engage with ground.
- Move basketball system to desired location.
- Carefully rotate basketball system upright.
- Reattach ground restraint and check system for stability.

201257 3/99

2. Placez l'ensemble à l'emplacement de votre choix. Remplissez le réservoir d'eau (114 litres) ou de sable (136 kg) et fermez avec le bouchon (4).

Die zusammengebaute Vorrichtung an den gewünschten Aufstellungsort bringen. Den Tank mit Wasser (114 l [30 US-Gallonen]) oder Sand (136 kg [300 US-Pfd]) füllen und den Tankdeckel (4) aufsnappen lassen.

Coloque la unidad montada en la ubicación deseada. Llene el tanque con 30 galones (114 litros) de agua o con 300 libras (136 kg) de arena y conecte a presión la tapa del tanque (4) en su lugar.



	ATTENTION! VORSICHT! ¡PRECAUCIÓN!
	<p>AJOUTEZ 7,6 LITRES (2 GALLONS) D'ANTIGEL NON TOXIQUE EN PRÉVISION DE TEMPÉRATURES EN DESSOUS DE 0.</p> <p>DEN TANK MIT 7,6 L (2 GAL) EINES UNGIFTIGEN GEFRIERSCHUTZMITTELS FÜLLEN, UM IN KLIMAZONEN MIT FROSTTEMPERATUREN EIN GEFRIEREN ZU VERHINDERN.</p> <p>AÑADA 7.6 LITROS (DOS GALONES) DE ANTICONGELANTE NO TÓXICO SI EL CLIMA ALCANZA TEMPERATURAS DE CONGELAMIENTO.</p>
	REMARQUE: HINWEIS: NOTA:
	<p><i>SI VOUS UTILISEZ DU SABLE: L'UTILISATION DE 7,6 LITRES D'ANTIGEL EST INUTILE.</i></p> <p><i>BEI VERWENDUNG VON SAND: KEINE ZUSÄTZLICHEN 7,6 L (2 GAL) GEFRIERSCHUTZMITTEL EINFÜLLEN.</i></p> <p><i>SI SE USA ARENA: NO SE REQUIERE EL USO DE ANTICONGELANTE</i></p>

Free Manuals Download Website

<http://myh66.com>

<http://usermanuals.us>

<http://www.somanuals.com>

<http://www.4manuals.cc>

<http://www.manual-lib.com>

<http://www.404manual.com>

<http://www.luxmanual.com>

<http://aubethermostatmanual.com>

Golf course search by state

<http://golfingnear.com>

Email search by domain

<http://emailbydomain.com>

Auto manuals search

<http://auto.somanuals.com>

TV manuals search

<http://tv.somanuals.com>