

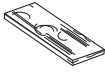
**REQUIRED TOOLS
AND MATERIALS:**



• 2 People



• Tape Measure



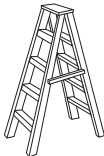
• Wood Board
(scrap)



• Sawhorse or
Support Table



• Safety Glasses



• Step Ladder - 8ft.
(2.4 m)

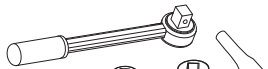
• (2 each) Wrenches and/or Socket
Wrenches and Sockets (Deep-
Well Sockets are Recommended).

• Extension is Recommended.



7/16" 1/2" 9/16" 3/4"

AND/OR

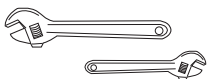


7/16" 1/2" 9/16" 3/4"

• Garden Hose or Sand



**OPTIONAL TOOLS
AND MATERIALS:**

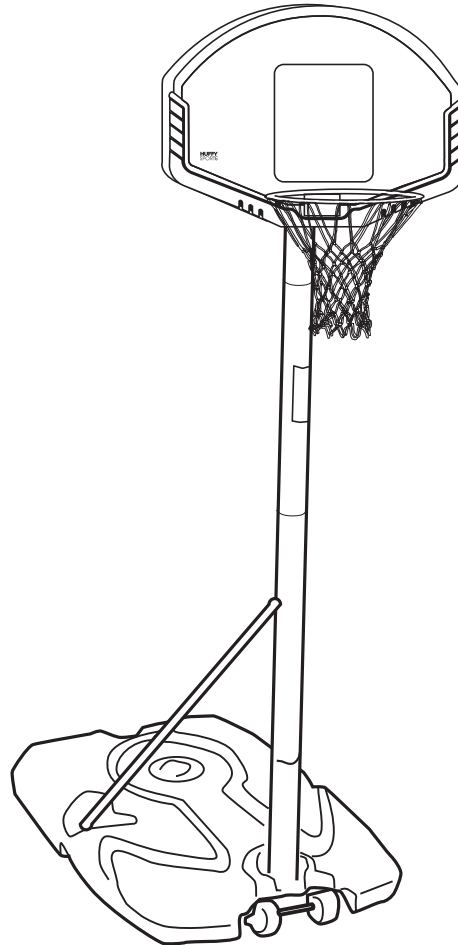


• Large and Small Adjustable
Wrenches

Portable Basketball System Owners Manual

Customer Service Center

• N53 W24700 South Corporate Circle • Sussex, WI 53089 • U.S.A.



! WARNING!

**READ AND UNDERSTAND
OPERATOR'S MANUAL
BEFORE USING THIS UNIT.**

**FAILURE TO FOLLOW
OPERATING
INSTRUCTIONS COULD
RESULT IN INJURY OR
DAMAGE TO PROPERTY.**

**Write Model Number
From Box Here:**

Toll-Free Customer Service Number for U.S: 1-800-558-5234,

For Canada: 1-800-284-8339,

For Europe: 00 800 555 85234 (Sweden: 009 555 85234),

For Australia: 1-800-632 7921

Internet Address: <http://www.huffysports.com>



SAFETY INSTRUCTIONS



FAILURE TO FOLLOW THESE SAFETY INSTRUCTIONS MAY RESULT IN SERIOUS INJURY OR PROPERTY DAMAGE AND WILL VOID WARRANTY.

Owner must ensure that all players know and follow these rules for safe operation of the system.

To ensure safety, do not attempt to assemble this system without following the instructions carefully. Check entire box and inside all packing material for parts and/or additional instruction material. Before beginning assembly, read the instructions and identify parts using the hardware identifier and parts list in this document. Proper and complete assembly, use, and supervision are essential for proper operation and to reduce the risk of accident or injury. A high probability of serious injury exists if this system is not installed, maintained, and operated properly.

- If using a ladder during assembly, use extreme caution.
- Two (2) people are recommended for this operation.
- Check base regularly for leakage. Slow leaks could cause system to tip over unexpectedly.
- Seat the pole sections properly (if applicable). Failure to do so could allow the pole sections to separate during play and/or transport of the system.
- Climate, corrosion, or misuse could result in system failure.
- Minimum operational height is 6' 6" (1.98 m) to the bottom of backboard.
- This equipment is intended for home recreational use only and NOT excessive competitive play.
- Read and understand the warning label affixed to pole.
- The life of your basketball pole depends on many conditions. The climate, placement of the pole, location of the pole, exposure to corrosives such as pesticides, herbicides, or salts are all important.
- If technical assistance is required, contact Customer Service.
- Adult supervision is recommended when adjusting height.

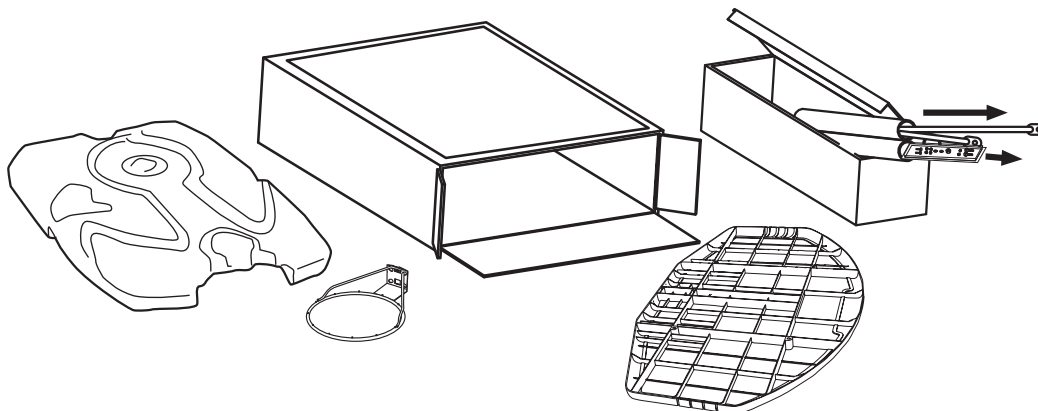
*Most injuries are caused by misuse and/or not following instructions.
Use caution when using this system.*

NOTICE TO ASSEMBLERS

ALL Basketball Systems, including those used for DISPLAYS, MUST be assembled and ballasted with sand or water according to the instructions. Failure to follow instructions could result in SERIOUS INJURY. It is NOT acceptable to devise a makeshift weight system.

IMPORTANT!

**Remove all contents from boxes.
Be sure to check inside pole sections,
hardware and additional parts are packed inside.**

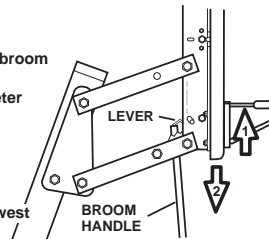


25

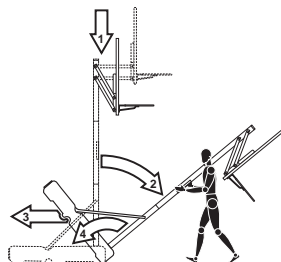
HEIGHT ADJUSTMENT

TO ADJUST BACKBOARD:

- TO RAISE BACKBOARD:**
Slowly push up on the rim with broom handle or wooden dowel, 3/4"- 7/8" (19mm - 22mm) diameter as shown to engage locking mechanism at desired height.
- TO LOWER BACKBOARD:**
Push lever up to unlock and carefully lower backboard to lowest position.



MOVING SYSTEM



- Adjust basketball backboard height to lowest position.
- While holding pole, rotate basketball system forward until wheels engage with ground.
- Move basketball system to desired location.
- Carefully rotate basketball system upright.
- Reattach ground restraint and check system for stability.

201257 3/99



! WARNING

Read and understand warnings listed below before using this product.

Failure to follow these warnings may result in serious injury and/or property damage.

Owner must ensure that all players know and follow these rules for safe operation of the system.

- DO NOT HANG on the rim or any part of the system including backboard, support braces or net.
- During play, especially when performing dunk type activities, keep player's face away from the backboard, rim and net. Serious injury could occur if teeth/face come in contact with backboard, rim or net.
- Do not slide, climb, shake or play on base and/or pole.
- After assembly is complete, fill system completely with water or sand and stake to the ground. Never leave system in an upright position without filling base with weight, as system may tip over causing injuries.
- When adjusting height or moving system, keep hands and fingers away from moving parts.
- Do not allow children to move or adjust system.
- During play, do not wear jewelry (rings, watches, necklaces, etc.). Objects may entangle in net.
- Surface beneath the base must be smooth and free of gravel or other sharp objects. Punctures cause leakage and could cause system to tip over.
- Keep organic material away from pole base. Grass, litter, etc. could cause corrosion and/or deterioration.
- Check pole system for signs of corrosion (rust, pitting, chipping) and repaint with exterior enamel paint. If rust has penetrated through the steel anywhere, replace pole immediately.
- Check system before each use for proper ballast, loose hardware, excessive wear and signs corrosion and repair before use.
- Check system before each use for instability.
- Do not use system during windy and/or severe weather conditions; system may tip over. Place system in the storage position and/or in an area protected from the wind and free from personal property and/or overhead wires.
- Never play on damaged equipment.
- See instruction manual for proper installation and maintenance.
- When moving system, use caution to keep mechanism from shifting.
- Keep pole top covered with cap at all times.
- Do not allow water in tank to freeze. During sub-freezing weather add 2 gallons of non-toxic antifreeze, sand or empty tank completely and store. (Do not use salt.)
- While moving system, do not allow anyone to stand or sit on base or have added ballasting on base.
- Do not leave system unsupervised or play on system when wheels are engaged for moving.
- Use Caution when moving system across uneven surfaces. System may tip over.
- Use extreme caution if placing system on sloped surface. System may tip over more easily.

SPALDING

In the U.S.: 1-800-xxx-xxxx
Canada: 1-800-xxx-xxxx

HYDRA-RIB

In the U.S.: 1-800-xxx-xxxx
Canada: 1-800-xxx-xxxx

RUSSELL
ATHLETIC

SURE SHOT

In the U.S.: 1-800-xxx-xxxx
Canada: 1-800-xxx-xxxx

HUFFY SPORTS

In the U.S.: 1-800-xxx-xxxx
Canada: 1-800-xxx-xxxx

ID#: 556790 01/05

BEFORE YOU START!



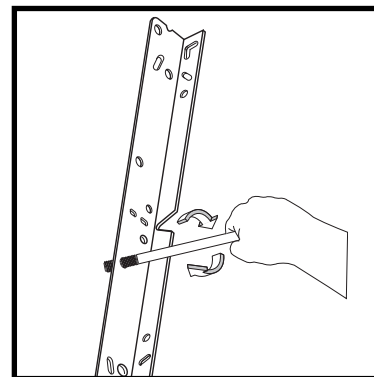
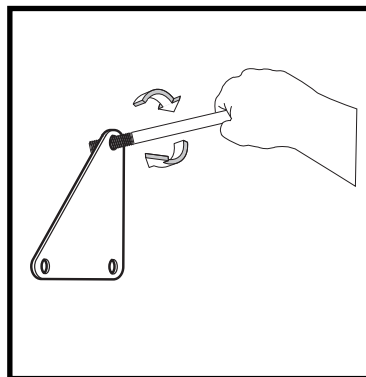
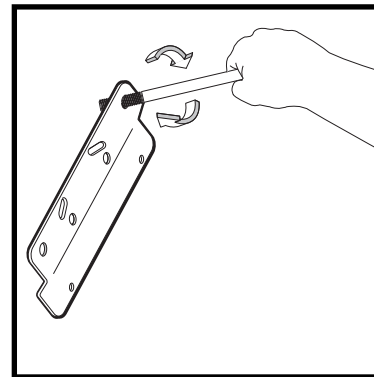
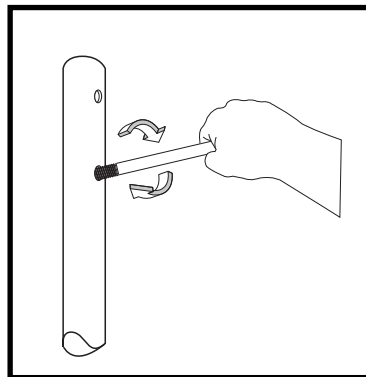
Questions or Missing Parts?

DON'T go back to store!

Call TOLL-FREE Customer Service
Number listed on the front page!

To ensure optimal playability of backboard system, a close tolerance fit between the elevator components and hardware is required. Test-fit large bolts into large holes of elevator tubes, backboard brackets, and triangle plates. Carefully rock them in a circular motion to ream out any excess paint from holes if necessary.

Not all items pictured are included with every model.

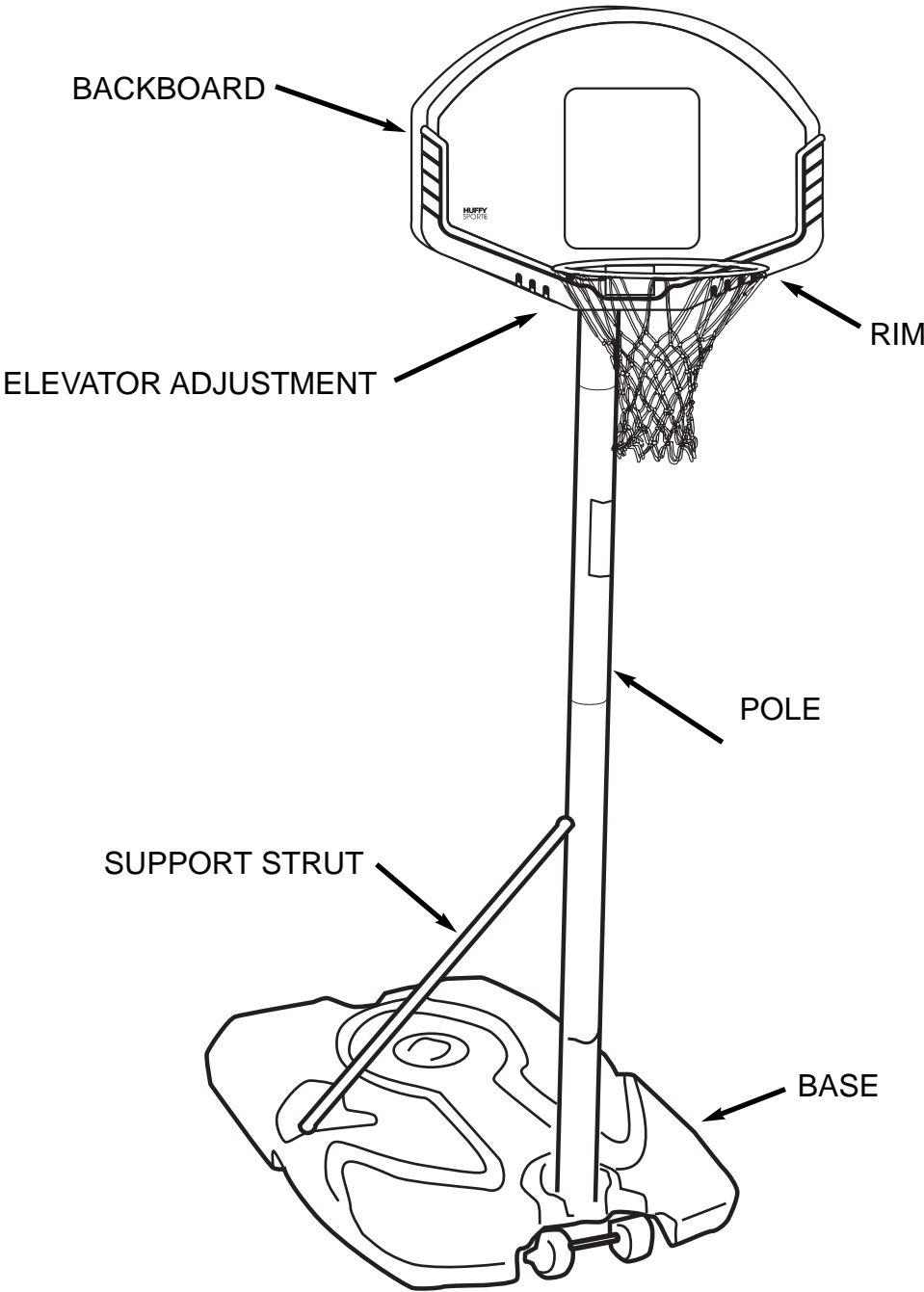


WARNING: IF YOUR SYSTEM IS EQUIPPED WITH AN ACRYLIC BACKBOARD, EXAMINE BACKBOARD FOR ANY DAMAGE THAT MAY HAVE OCCURRED DURING SHIPMENT. CRACKS IN THE BACKBOARD COULD RESULT IN SUDDEN BREAKAGE. IF BACKBOARD IS DAMAGED IN ANY WAY PRIOR TO OR AFTER ASSEMBLY, CALL TOLL-FREE NUMBER: U.S. 1-800-558-5234; CANADA: 1-800-284-8339; <http://www.huffysports.com>

WARRANTY CARD:

Please remember to complete your product registration form either on-line at: www.huffysports.com/customer_support/product_registration or mail-in the enclosed postcard.

FRONT VIEW



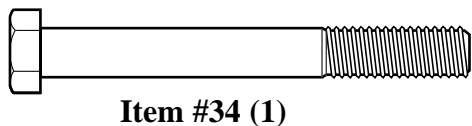
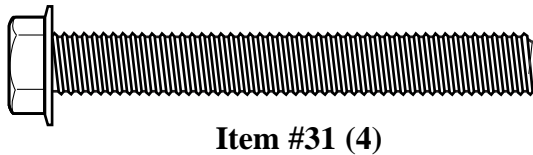
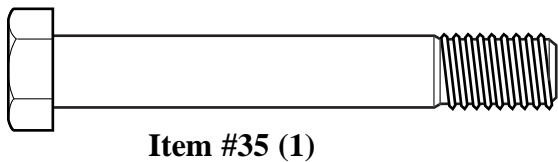
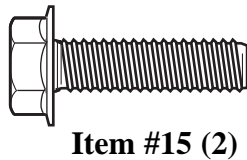
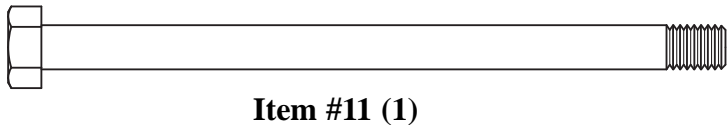
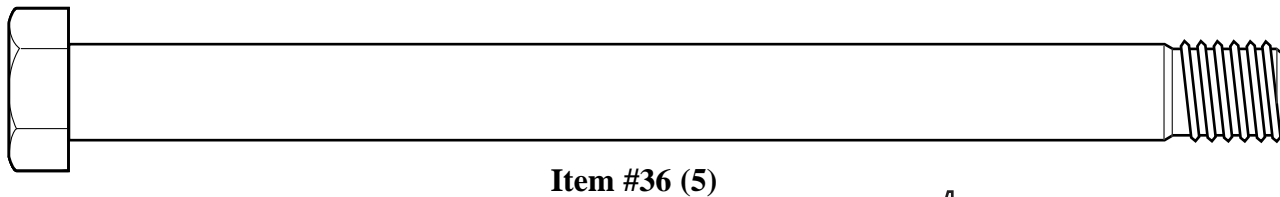
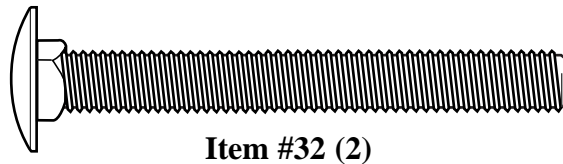
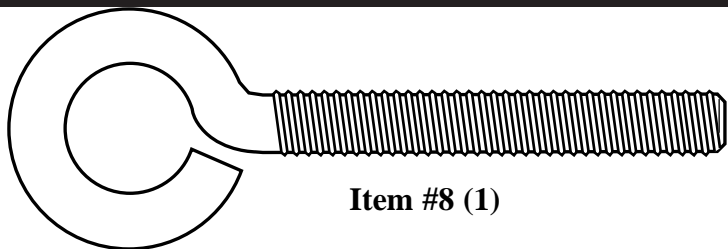
PARTS LIST - See Hardware Identifier

<input checked="" type="checkbox"/> Item	Qty.	Part No.	Description	<input checked="" type="checkbox"/> Item	Qty.	Part No.	Description
<input type="checkbox"/> 1	1	206657	Tank, (Black)	<input type="checkbox"/> 26	1		Net
<input type="checkbox"/> 2	1	200628	Wheel Axle	<input type="checkbox"/> 27	1	201160	Pawl Lever
<input type="checkbox"/> 3	2	226401	Wheel, 4" (Black)	<input type="checkbox"/> 28	1	201159	Ratchet
<input type="checkbox"/> 4	1	908242	Top Pole Section	<input type="checkbox"/> 29	2	900846	Backboard Bracket
<input type="checkbox"/> 5	1	908246	Middle Pole Section	<input type="checkbox"/> 30	1	206305	Clevis Pin 1/4 x 2-9/32 Long
<input type="checkbox"/> 6	1	908247	Bottom Pole Section	<input type="checkbox"/> 31	4	203113	Bolt, Hex Flange , 5/16-18 x 2-1/2 Long
<input type="checkbox"/> 7	1	202820	Rod, 3/8 O.D. x 4-3/4 Long	<input type="checkbox"/> 32	2	203038	Bolt, Carriage, 5/16-18 x 2-3/4 Long
<input type="checkbox"/> 8	1	202822	Eyebolt, 3/8-16 x 2-1/2 Long	<input type="checkbox"/> 33	2	201129	Spacer .402 I.D. x.50 O.D. x 1.8 Long
<input type="checkbox"/> 9	1	203063	Nylon Insert Lock Nut, 3/8-16	<input type="checkbox"/> 34	1	240017	Bolt, Hex 1/4-20 x 2-1/4 Long
<input type="checkbox"/> 10	2	906206	Tank Strut	<input type="checkbox"/> 35	1	206360	Bolt, Hex 3/8-16 x 2.65 Long
<input type="checkbox"/> 11	1	201625	Bolt, Yellow Dichromate, 5/16-18 X 3.60" Long	<input type="checkbox"/> 36	5	206304	Bolt 1/2-13 x 6-5/16 Long
<input type="checkbox"/> 12	6	203218	Washer, Flat, 3/8 I.D.	<input type="checkbox"/> 37	1	201125	Return Ratchet Spring
<input type="checkbox"/> 13	1	203099	Nylon Insert Lock Nut, 5/16-18	<input type="checkbox"/> 38	4	900184	Elevator Tubes
<input type="checkbox"/> 14	1	203493	Lock Nut 1/4-20	<input type="checkbox"/> 39	1	203365	Rim Spacer, Plastic
<input type="checkbox"/> 15	2	205528	Bolt, Hex Flange, 5/16-18 x 1 Long	<input type="checkbox"/> 40	4	203309	Washer, Flat, 3/8 I.D.
<input type="checkbox"/> 16	8	203100	Nut, Hex Flange, 5/16-18				
<input type="checkbox"/> 17	4	201651	Spacer .500 I.D. x .25 Long				
<input type="checkbox"/> 18	2	206303	Washer 1/4 Flat				
<input type="checkbox"/> 19	1	200627	Wheel Bracket				
<input type="checkbox"/> 20	1	202587	Spacer, Plastic, 1" Long				
<input type="checkbox"/> 21	1		Rim				
<input type="checkbox"/> 22	1	206219	Cap, Pole Top 3"				
<input type="checkbox"/> 23	4	201642	Spacer .530 I.D. x.63 O.D. x 0.5 Long				
<input type="checkbox"/> 24	2	203617	Plug Cap				
<input type="checkbox"/> 25	1	201257	Label, Height Adjustment and Moving				

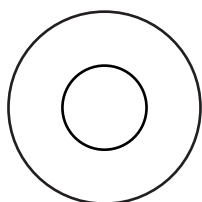
NOTE: Hardware kit is designed for more than one style of basketball system. Not all hardware will be used.

* You may have extra parts with this model.

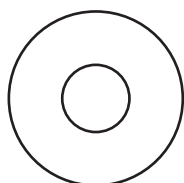
HARDWARE IDENTIFIER (BOLTS AND SCREWS)



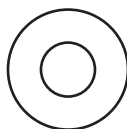
HARDWARE IDENTIFIER (NUTS AND WASHERS)



Item #40 (4)



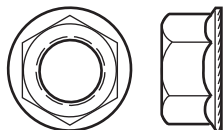
Item #12 (6)



Item #18 (2)



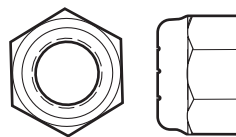
Item #14 (1)



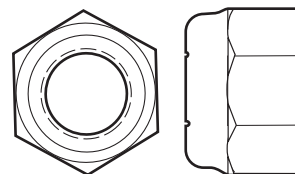
Item #16 (8)



Item #13 (1)



Item #9 (1)



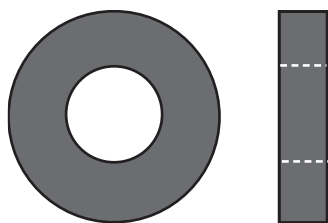
Item #39 (5)

HARDWARE IDENTIFIER (STEEL SPACERS)

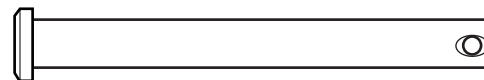


Item #33 (2)

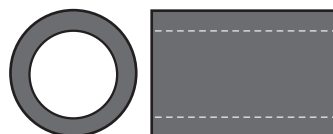
HARDWARE IDENTIFIER (PLASTIC SPACERS, CAPS, CLIPS AND OTHER)



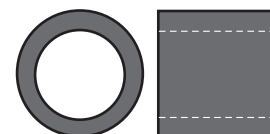
Item #17 (4)



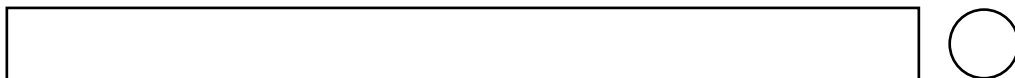
Item #30 (1)



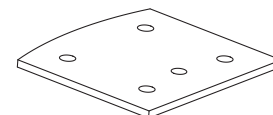
Item #20 (1)



Item #23 (4)



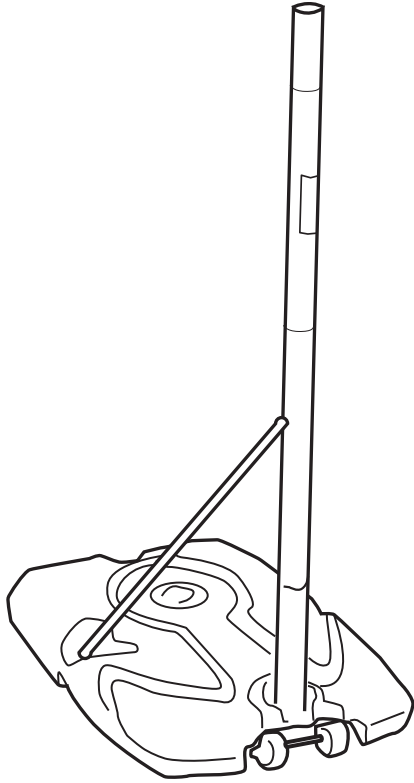
Item #7 (1)



Item #39 (1)

SECTION A: ASSEMBLE THE BASE

This is what your system will look like when you've finished this section.



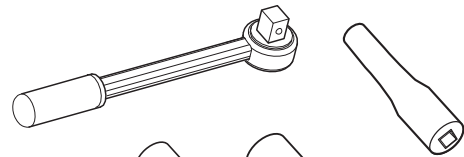
ITEMS REQUIRED FOR THIS SECTION

(2) 1/2" and (2) 9/16" Wrenches



AND/OR

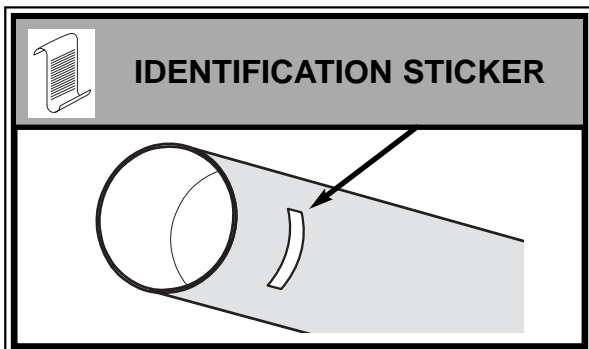
(2) Socket Wrenches and Sockets



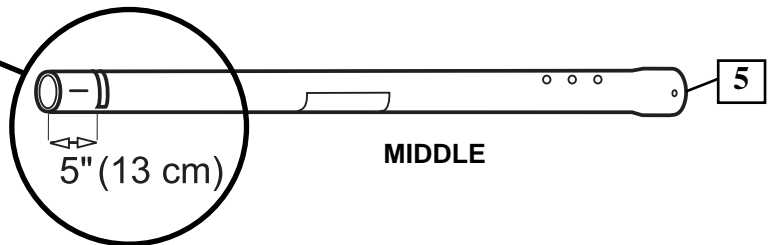
1/2"

9/16"

1. Correctly identify each pole section. Poles have an identification sticker that will be used as a reference point in the next step.



TOP



MIDDLE

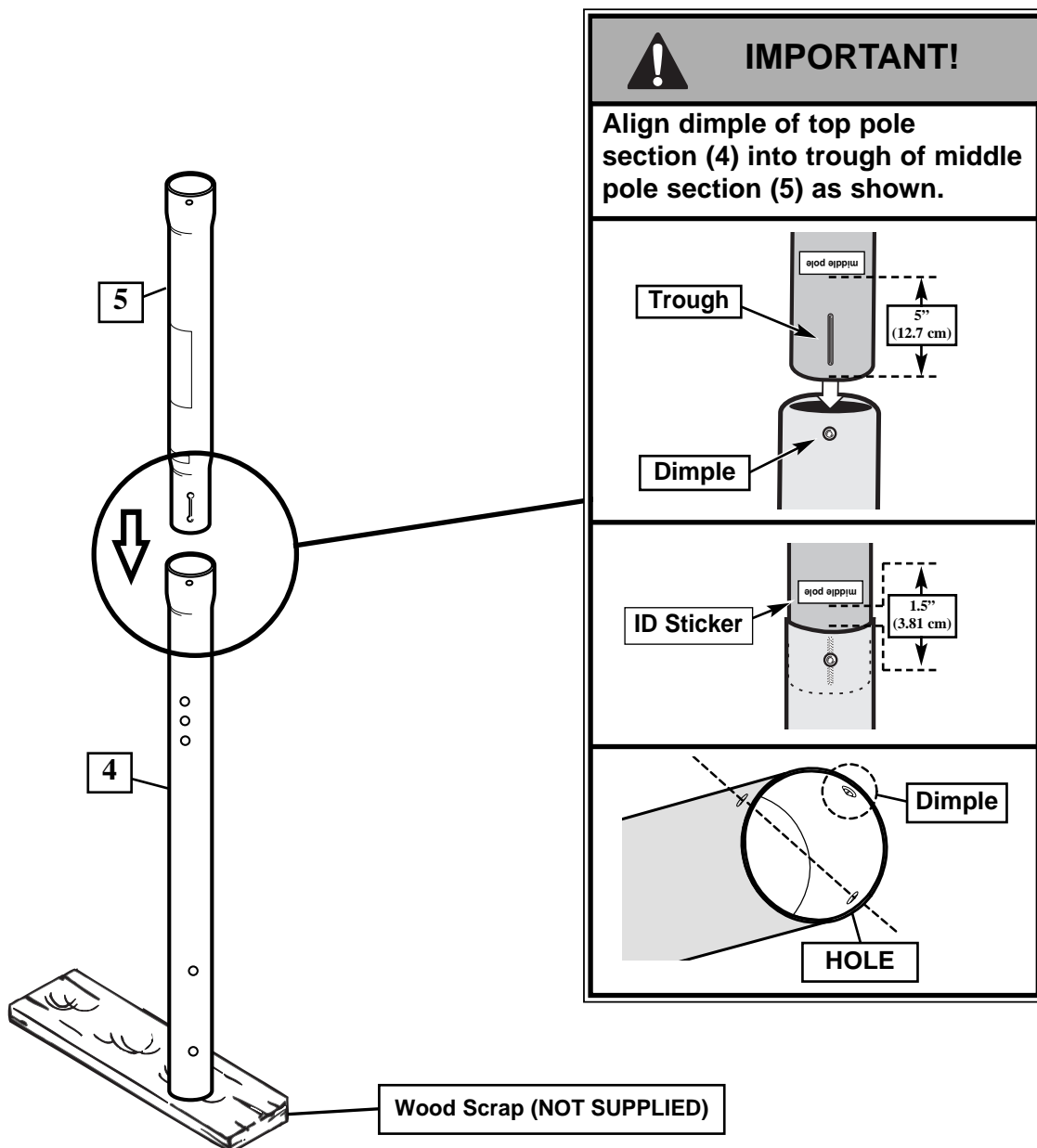


BOTTOM

2. While maintaining alignment, bounce middle pole section (5) into top section (4) using a wood scrap as shown until the top pole no longer moves toward the pole identification sticker on the middle pole.

CAUTION!

THE IDENTIFICATION STICKER IS LOCATED 5" FROM THE END OF THE POLE. WHEN PROPERLY POUNDED TOGETHER, THE POLE SECTIONS SHOULD HAVE A 3-1/2" MINIMUM OVERLAP, LEAVING 1-1/2" BETWEEN THE OVERLAPPING POLE AND THE IDENTIFICATION STICKER.



3. Bounce top and middle pole assembly (4 and 5) onto bottom pole section (6) using a wood scrap as shown. Bounce until the top and middle pole assembly no longer moves toward the pole identification mark on the bottom pole.



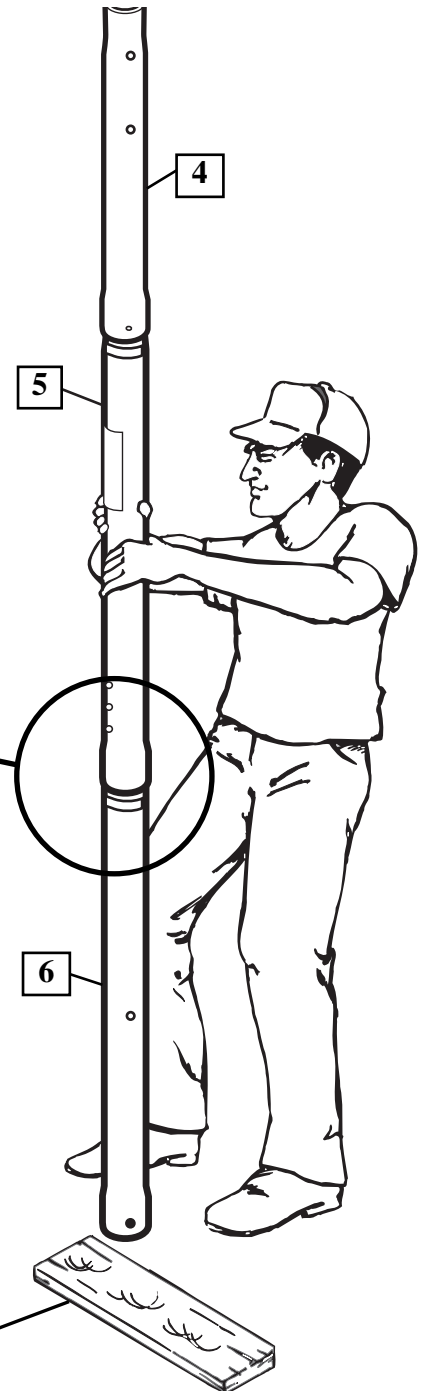
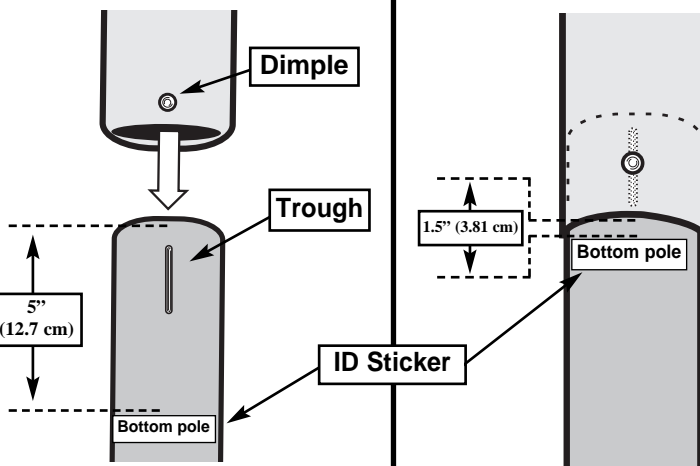
NOTE:

POLE SECTIONS SHOULD HAVE A 3-1/2" (9 CM) MINIMUM OVERLAP.

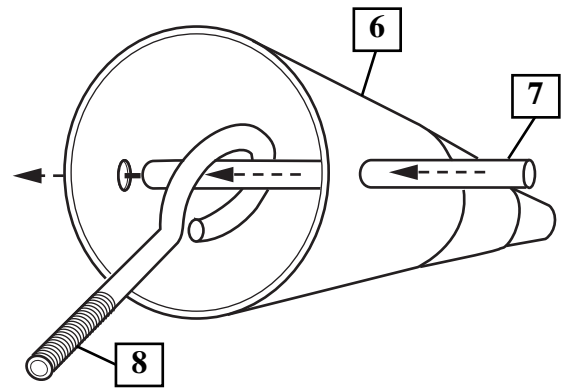


IMPORTANT!

Align dimple of middle pole section (5) into trough of bottom pole section (6) as shown.



- 4.** Install rod (7) through holes in bottom pole section (6) and eyebolt (8).

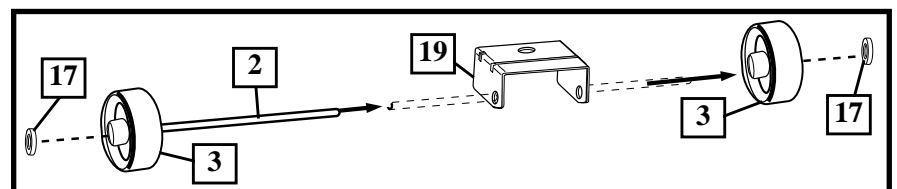
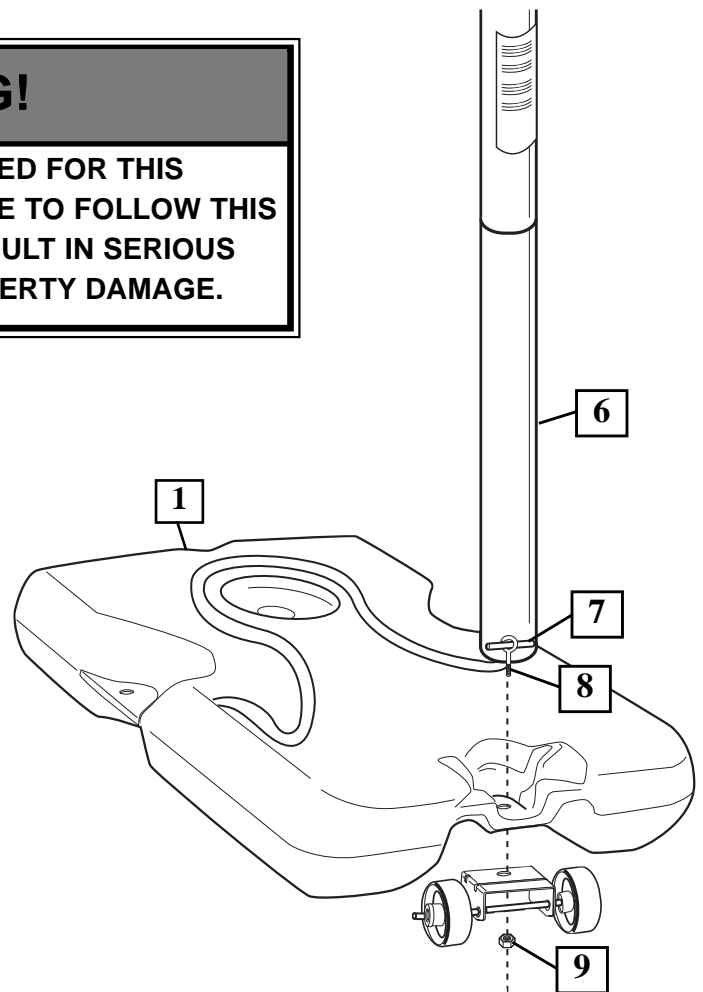


- 5.** Install wheel axle (2) through wheel carriage (19) and install wheels (3) onto wheel axle (2) with spacers (17) as shown. Insert pole assembly into tank assembly as shown. Secure bottom pole (6) section to tank and wheel carriage as shown. A deep socket is recommended.

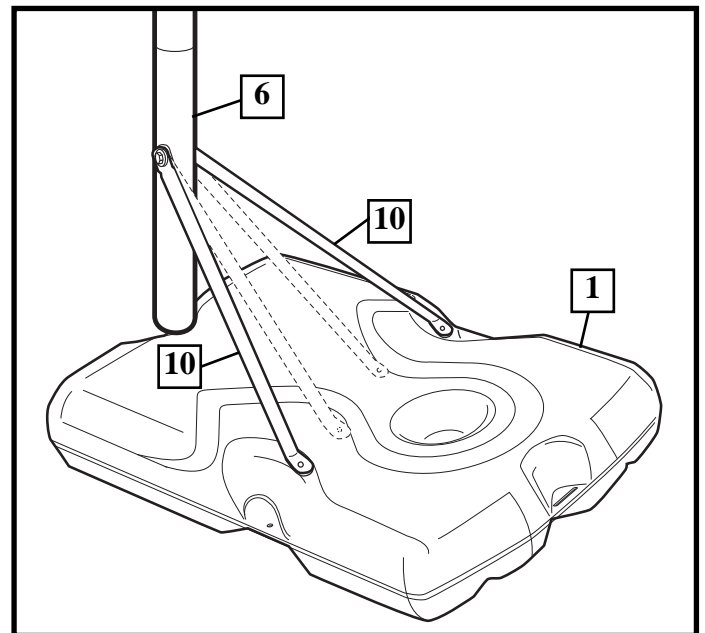
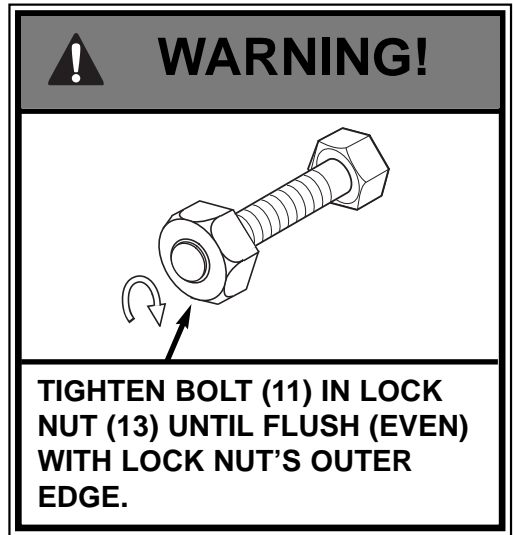
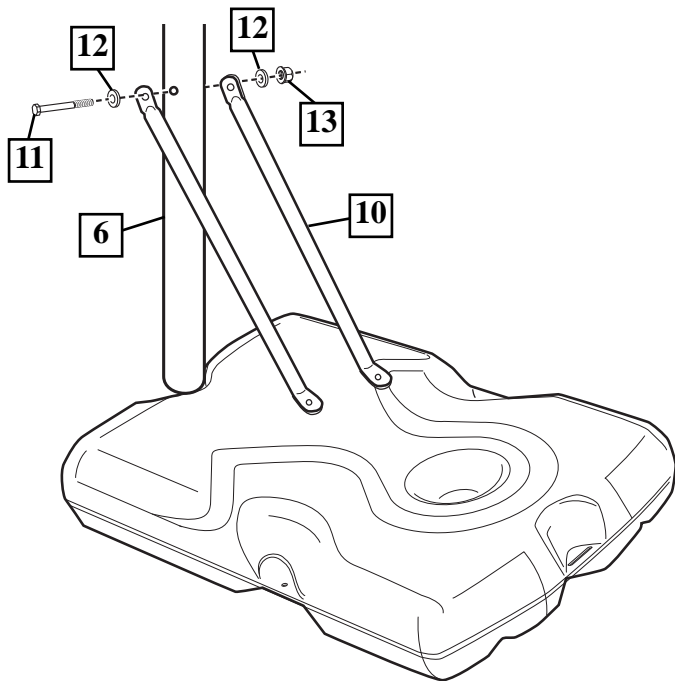
WARNING!	
	<p>TWO PEOPLE REQUIRED FOR THIS PROCEDURE. FAILURE TO FOLLOW THIS WARNING COULD RESULT IN SERIOUS INJURY AND/OR PROPERTY DAMAGE.</p>

	<p>IMPORTANT!</p> <p>DO NOT OVER TIGHTEN</p>
--	--

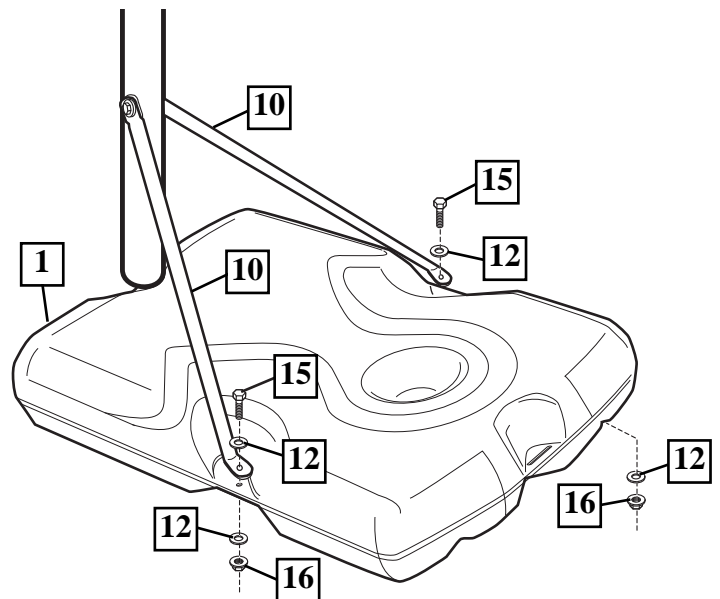
	<p>IMPORTANT!</p>
<p>THE SPACER (17) WILL FIT LOOSELY UNTIL SECURED INTO THE CAVITY OF THE BASE.</p>	



- 6.** Secure flat end of tank struts (10) to pole using bolt (11), washers (12), and nut (13), as shown. Rotate the non-secured angled ends of the struts (10) as shown.

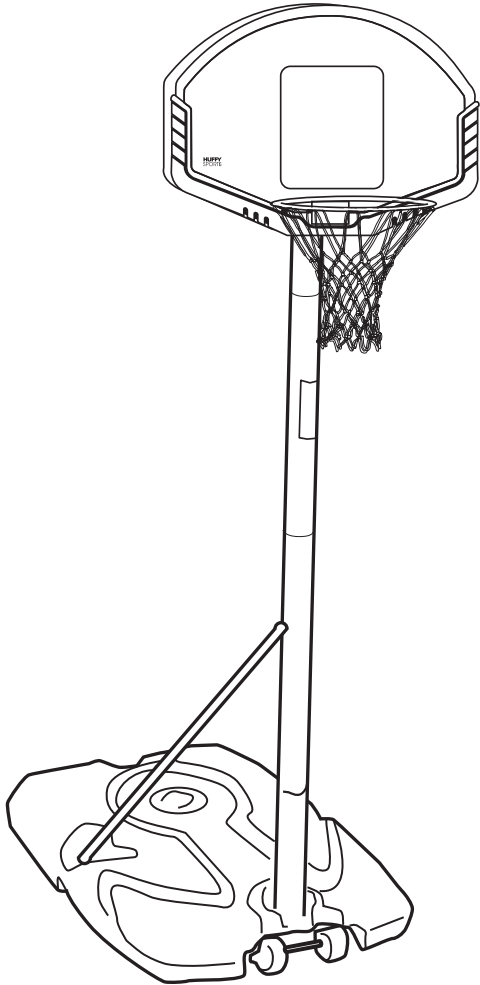


- 7.** Secure tank struts (10) to the base using bolt (15), washers (12), and nut (16).



SECTION B: ATTACH THE BACKBOARD

This is what your system will look like when you've finished this section.



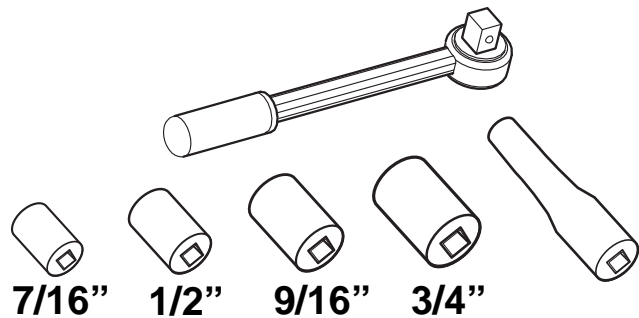
ITEMS REQUIRED FOR THIS SECTION

(2) 7/16", (2) 1/2", (2) 9/16" AND (2) 3/4" Wrenches

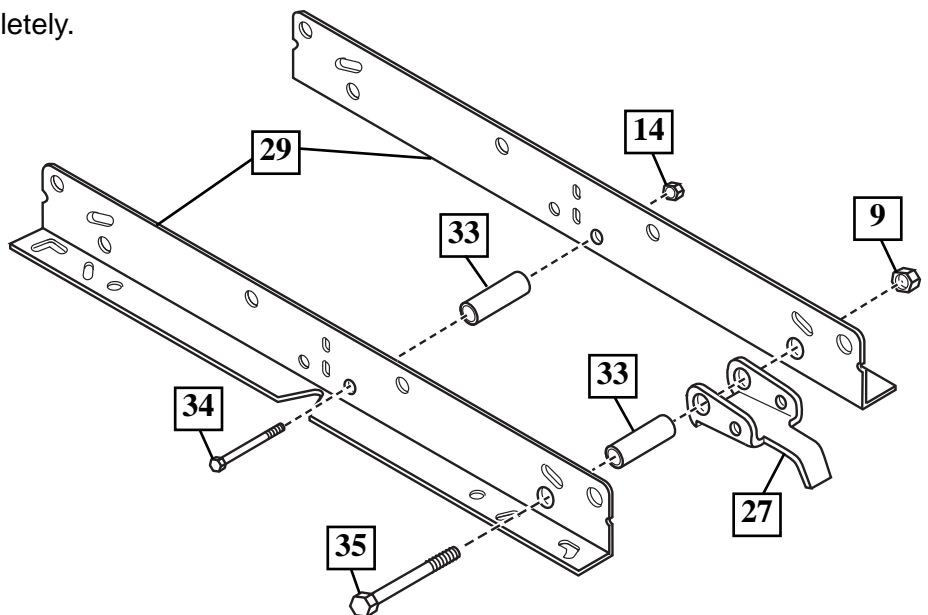
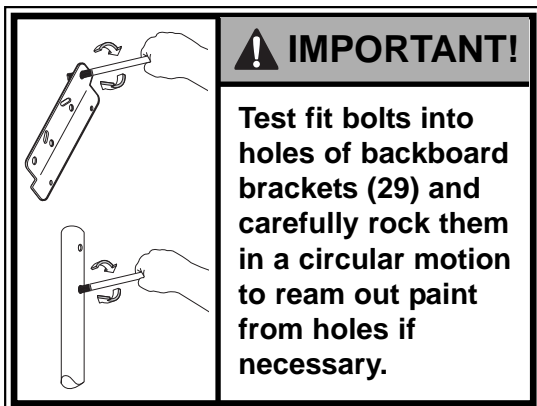


AND/OR

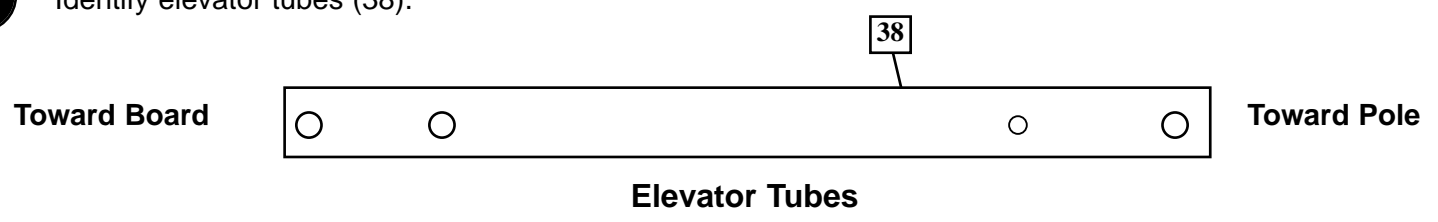
(2) Socket Wrenches and Sockets



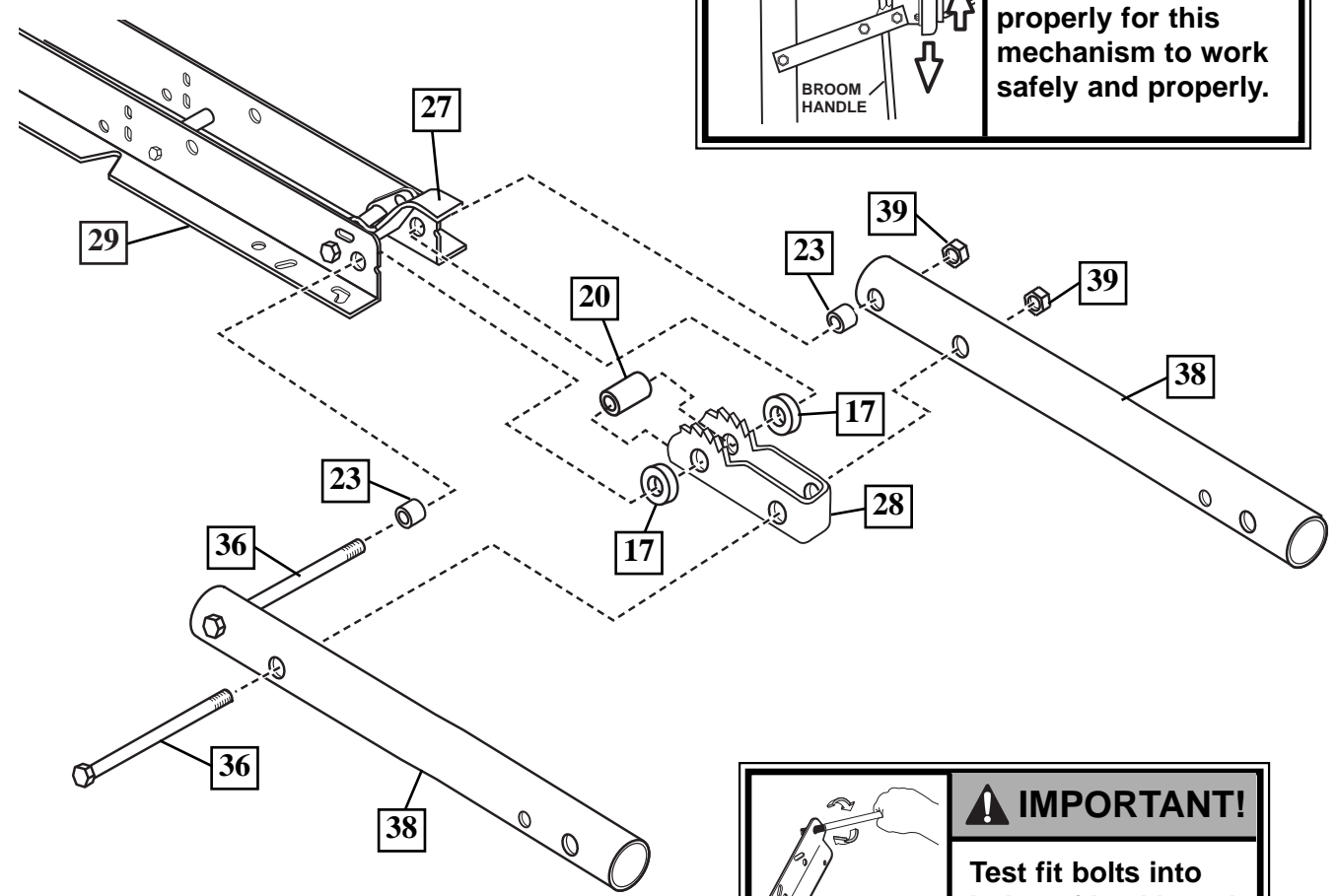
1. Fit spacer (33) into pawl (27). Then continue to assemble as shown. Tighten completely.



2. Identify elevator tubes (38).



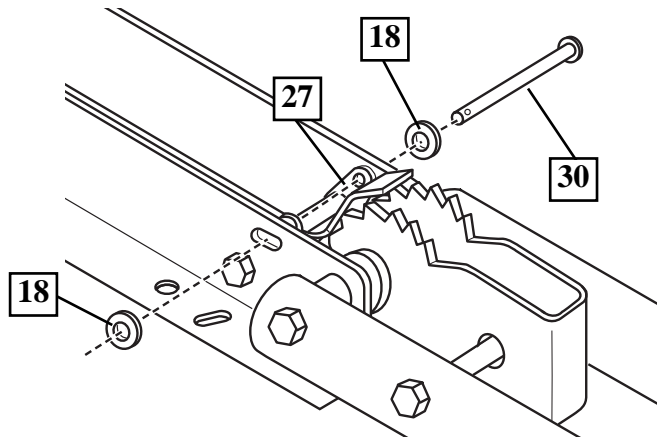
3. Assemble elevator tubes (38) to ratchet (28) and backboard brackets (29) using bolts (36), spacers (17, 20, and 23), and nuts (39) as shown. Tighten completely.



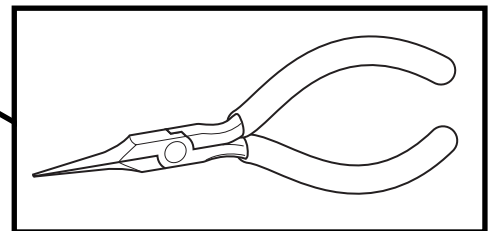
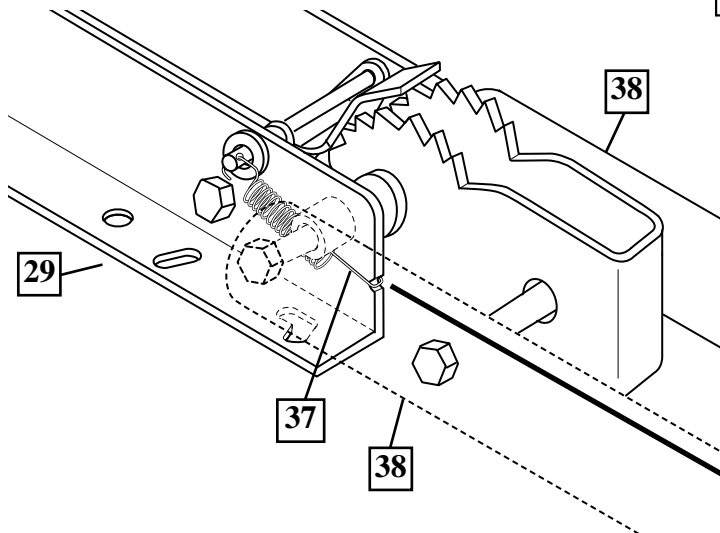
<p>LEVER</p> <p>BROOM HANDLE</p>	<p>! IMPORTANT!</p> <p>It is necessary for all parts to be installed properly for this mechanism to work safely and properly.</p>
----------------------------------	--

	<p>! IMPORTANT!</p> <p>Test fit bolts into holes of backboard brackets (29) and carefully rock them in a circular motion to ream out paint from holes if necessary.</p>
--	--

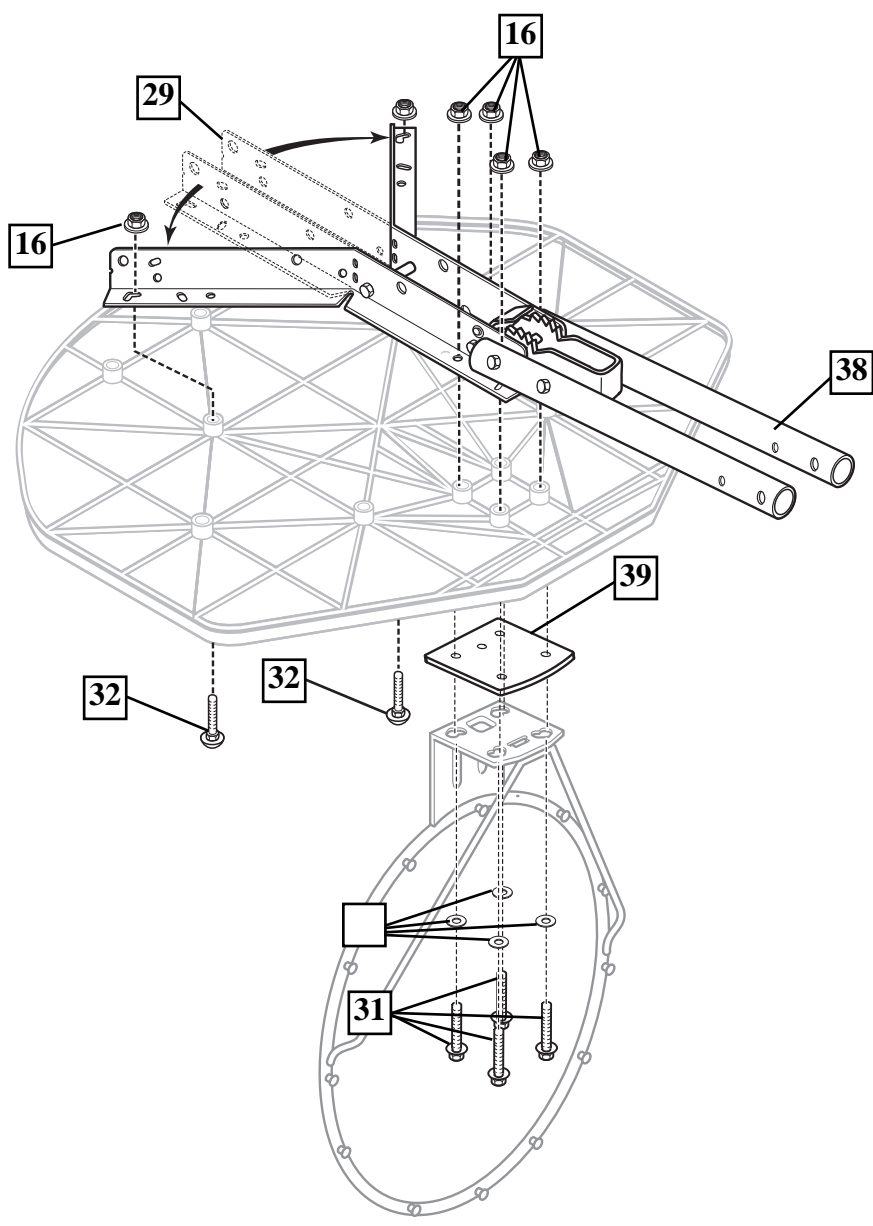
4. Secure pawl (27) in place with clevis pin (30) and washers (18) as shown.



5. Stretch spring (37) into position with pliers.

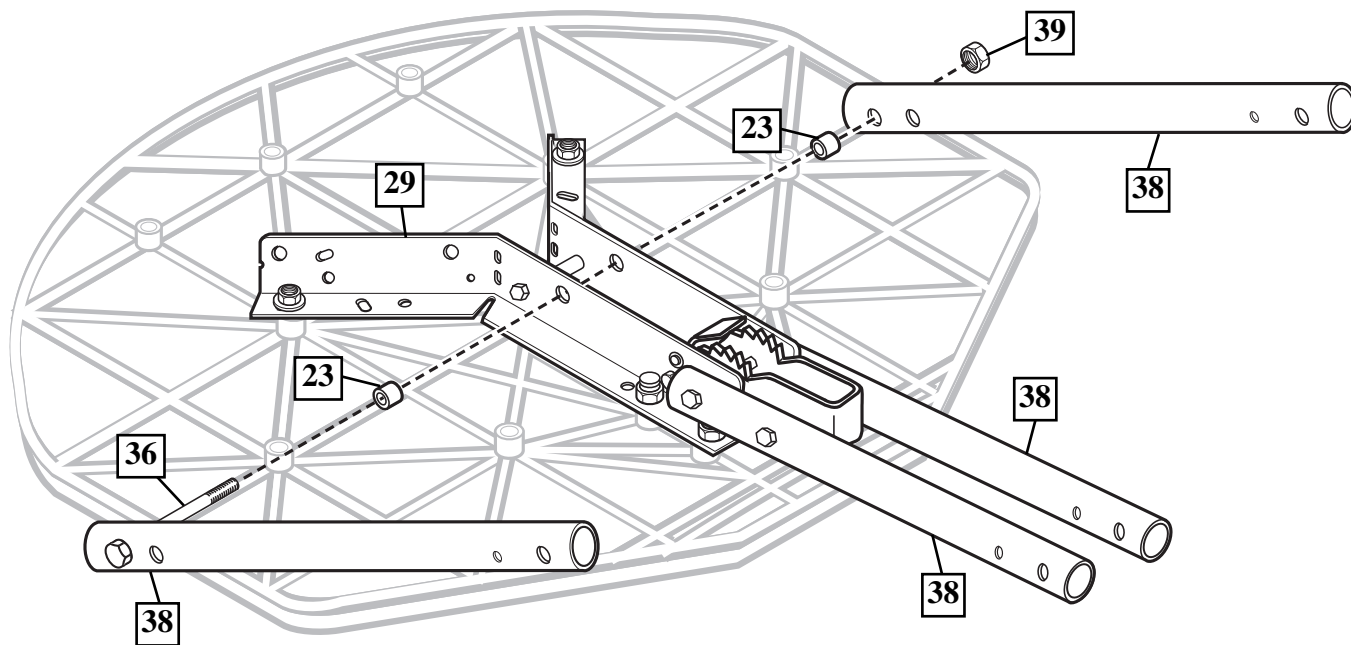


6. Secure Slam Jam bracket (43) and backboard bracket (29) assemblies to backboard. Bend upper halves of backboard brackets (29) to line up with holes in backboard and secure with bolts (32) and nuts (16). Tighten completely.

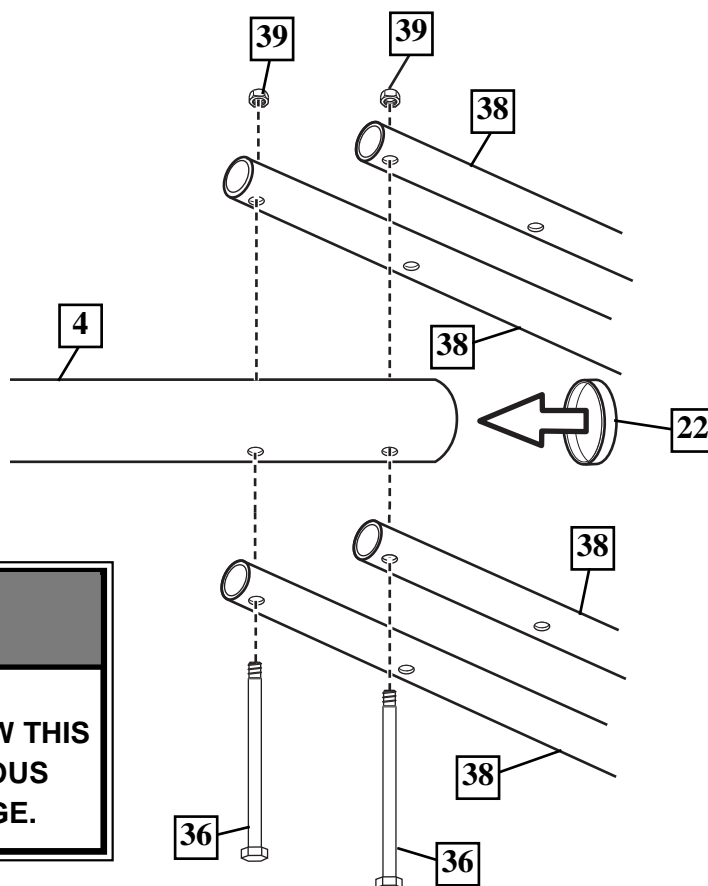
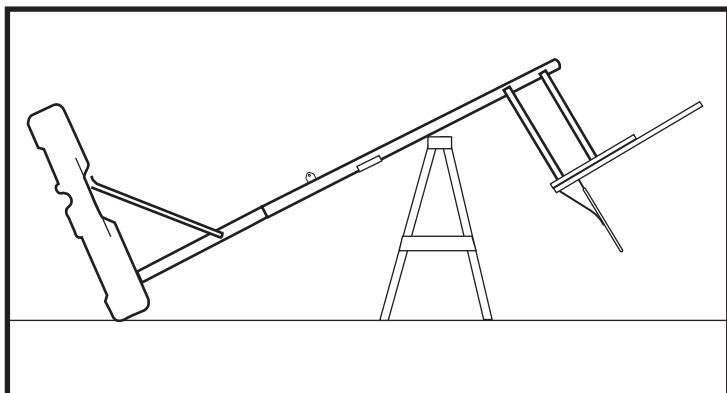


 WARNING!	
	TWO PEOPLE REQUIRED FOR THIS PROCEDURE. FAILURE TO FOLLOW THIS WARNING COULD RESULT IN SERIOUS INJURY AND/OR PROPERTY DAMAGE.

7. Attach upper elevator tubes (38) to backboard support brackets (29) using spacers (23), bolt (36), and nut (39) as shown.





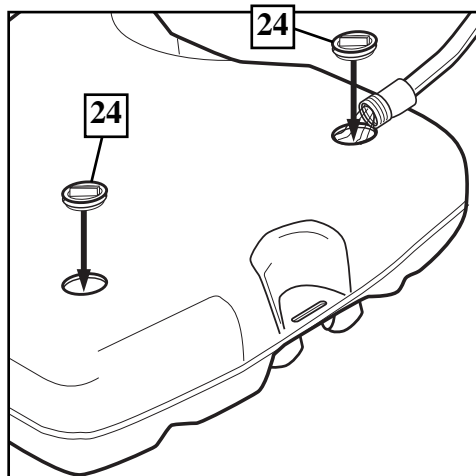
8. Support pole on sawhorse. Attach upper and lower elevator tubes (38) to upper pole section (4) using bolts (36) and nuts (39) as shown. Attach pole cap (22) as shown.






WARNING!	
	<p>TWO PEOPLE REQUIRED FOR THIS PROCEDURE. FAILURE TO FOLLOW THIS WARNING COULD RESULT IN SERIOUS INJURY AND/OR PROPERTY DAMAGE.</p>

- 10.** Roll completed assembly to desired position. Fill tank with water (approx. 33 gallons/125 Liters) or sand (approx. 360 lbs./163 kg) and snap cap (24) in place.

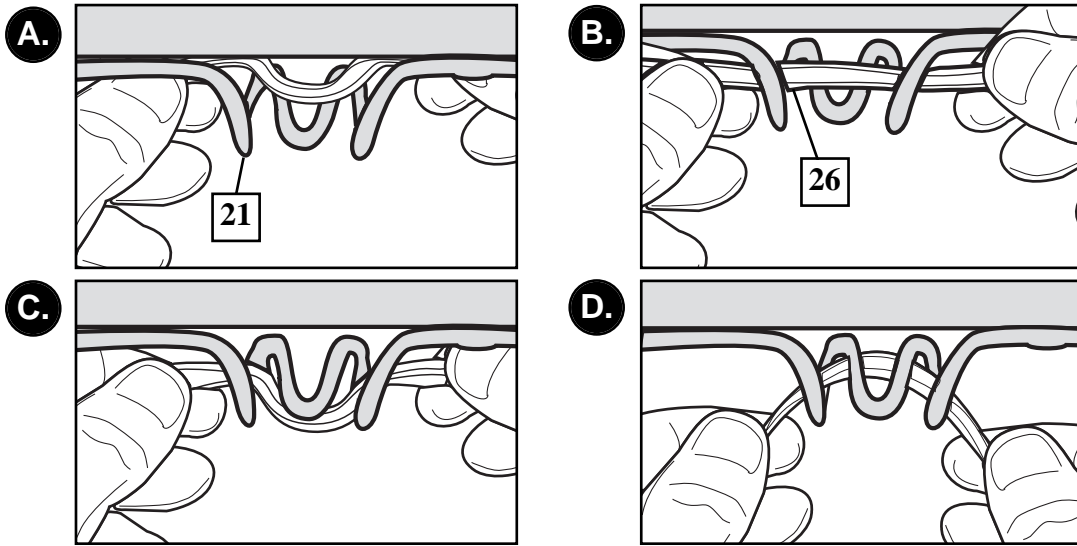
CAUTION!	
	ADD TWO GALLONS (7.6 LITERS) OF NON-TOXIC ANTIFREEZE IN SUB-FREEZING CLIMATES.
NOTE:	
	<i>IF USING SAND:</i> 2 GALLONS OF ANTI-FREEZE IS <u>NOT</u> REQUIRED.



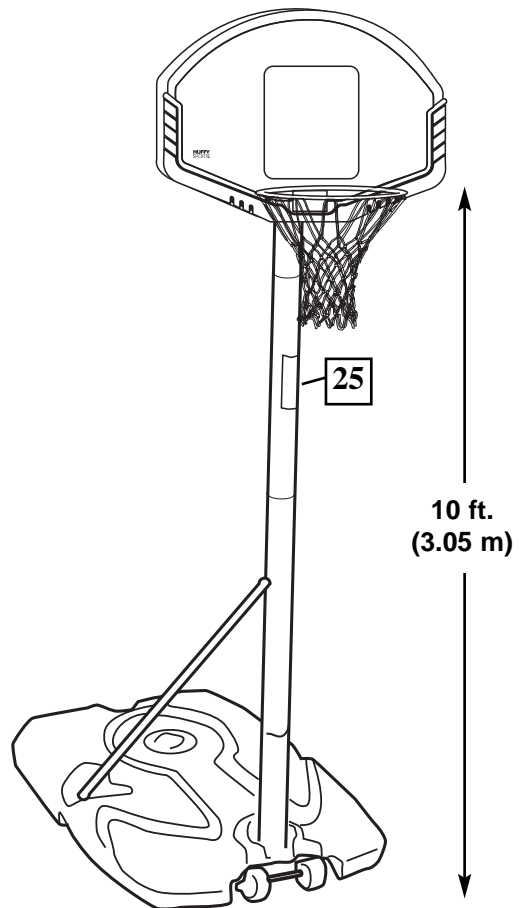
WARNING!	
	DO NOT LEAVE ASSEMBLY UNATTENDED WHEN EMPTY; IT MAY TIP OVER.

WARNING!	
	
	TWO PEOPLE REQUIRED FOR THIS PROCEDURE. FAILURE TO FOLLOW THIS WARNING COULD RESULT IN SERIOUS INJURY AND/OR PROPERTY DAMAGE.

11. Install net (26) as shown.



12. Apply the height adjustment and moving label (25) to the front of the pole as shown.



Free Manuals Download Website

<http://myh66.com>

<http://usermanuals.us>

<http://www.somanuals.com>

<http://www.4manuals.cc>

<http://www.manual-lib.com>

<http://www.404manual.com>

<http://www.luxmanual.com>

<http://aubethermostatmanual.com>

Golf course search by state

<http://golfingnear.com>

Email search by domain

<http://emailbydomain.com>

Auto manuals search

<http://auto.somanuals.com>

TV manuals search

<http://tv.somanuals.com>