

**REQUIRED TOOLS  
AND MATERIALS:**



• 2 People



• Tape Measure



• Wood Board  
(scrap)



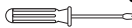
• Sawhorse or  
Support Table



• Safety Glasses



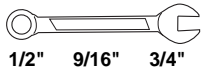
• Step Ladder - 8ft.  
(2.4 m)



• #2 or #3 Phillips  
Screwdriver

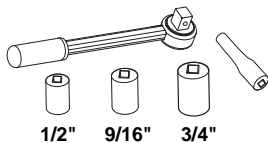
• (2 each) Wrenches and/or Socket  
Wrenches and Sockets (Deep-  
Well Sockets are Recommended).

• Extension is Recommended.



1/2" 9/16" 3/4"

AND/OR

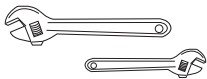


1/2" 9/16" 3/4"

• Garden Hose or Sand



**OPTIONAL TOOLS  
AND MATERIALS:**

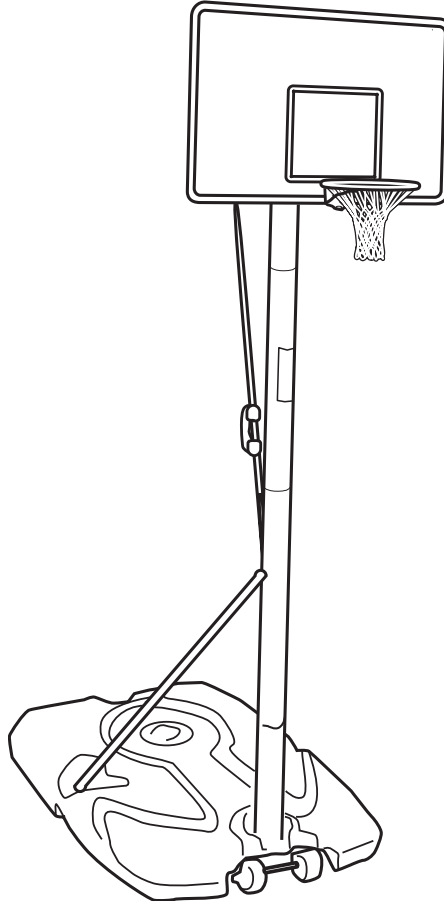



• Large and Small Adjustable  
Wrenches

# Portable System Owners Manual

Customer Service Center

• N53 W24700 South Corporate Circle • Sussex, WI 53089 • U.S.A.





**! WARNING!**

READ AND UNDERSTAND  
OPERATOR'S MANUAL  
BEFORE USING THIS UNIT.

FAILURE TO FOLLOW  
OPERATING INSTRUCTIONS  
COULD RESULT IN INJURY  
OR DAMAGE TO  
PROPERTY.

**Write Model Number  
From Box Here:**

Toll-Free Customer Service Number for U.S: 1-800-558-5234,

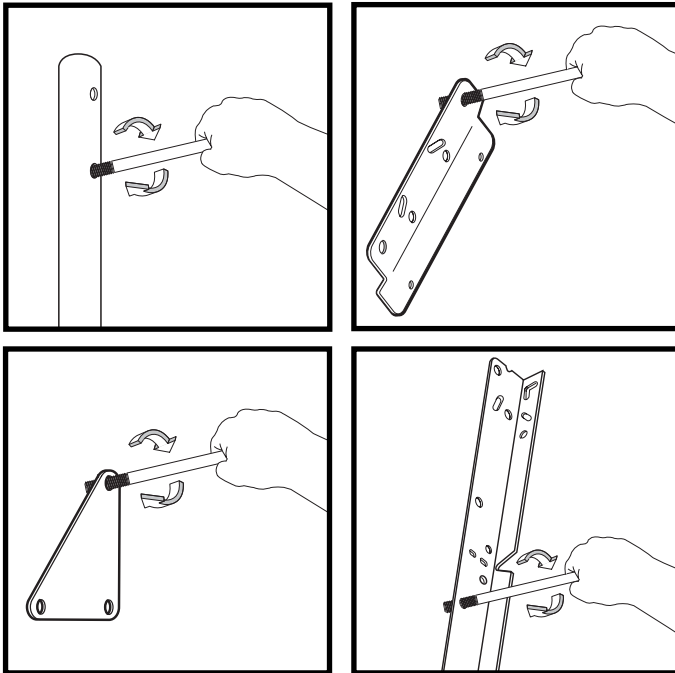
For Canada: 1-800-284-8339,

For Europe: 00 800 555 85234 (Sweden: 009 555 85234),

For Australia: 1-800-632 7921

Internet Address: <http://www.huffysports.com>

## BEFORE YOU START!



To ensure optimal playability of backboard system, a close tolerance fit between the elevator components and hardware is required. Test-fit large bolts into large holes of elevator tubes, backboard brackets, and triangle plates. Carefully rock them in a circular motion to ream out any excess paint from holes if necessary.

Not all items pictured are included with every model.



## ! WARNING

Read and understand warnings listed below before using this product.

Failure to follow these warnings may result in serious injury and/or property damage.

Owner must ensure that all players know and follow these rules for safe operation of the system.

- DO NOT HANG on the rim or any part of the system including backboard, support braces or net.
- During play, especially when performing dunk type activities, keep player's face away from the backboard, rim and net. Serious injury could occur if teeth/face come in contact with backboard, rim or net.
- Do not slide, climb, shake or play on base and/or pole.
- After assembly is complete, fill system completely with water or sand and stake to the ground. Never leave system in an upright position without filling base with weight, as system may tip over causing injuries.
- When adjusting height or moving system, keep hands and fingers away from moving parts.
- Do not allow children to move or adjust system.
- During play, do not wear jewelry (rings, watches, necklaces, etc.). Objects may entangle in net.
- Surface beneath the base must be smooth and free of gravel or other sharp objects. Punctures cause leakage and could cause system to tip over.
- Keep organic material away from pole base. Grass, litter, etc. could cause corrosion and/or deterioration.
- Check pole system for signs of corrosion (rust, pitting, chipping) and repaint with exterior enamel paint. If rust has penetrated through the steel anywhere, replace pole immediately.
- Check system before each use for proper ballast, loose hardware, excessive wear and signs corrosion and repair before use.
- Check system before each use for instability.
- Do not use system during windy and/or severe weather conditions; system may tip over. Place system in the storage position and/or in an area protected from the wind and free from personal property and/or overhead wires.
- Never play on damaged equipment.
- See instruction manual for proper installation and maintenance.
- When moving system, use caution to keep mechanism from shifting.
- Keep pole top covered with cap at all times.
- Do not allow water in tank to freeze. During sub-freezing weather add 2 gallons of non-toxic antifreeze, sand or empty tank completely and store. (Do not use salt.)
- While moving system, do not allow anyone to stand or sit on base or have added ballasting on base.
- Do not leave system unsupervised or play on system when wheels are engaged for moving.
- Use Caution when moving system across uneven surfaces. System may tip over.
- Use extreme caution if placing system on sloped surface. System may tip over more easily.

**SPALDING**  
In the U.S.: 1-800-xxx-xxxx  
Canada: 1-800-xxx-xxxx

**HYDRA-RIB**  
In the U.S.: 1-800-xxx-xxxx  
Canada: 1-800-xxx-xxxx

**RUSSELL**  
ATHLETIC

**SURE SHOT**

**HUFFY SPORTS**

In the U.S.: 1-800-xxx-xxxx  
Canada: 1-800-xxx-xxxx

In the U.S.: 1-800-xxx-xxxx  
Canada: 1-800-xxx-xxxx

ID#: 556790 01/05



# SAFETY INSTRUCTIONS



FAILURE TO FOLLOW THESE SAFETY INSTRUCTIONS MAY RESULT IN SERIOUS INJURY OR PROPERTY DAMAGE AND WILL VOID WARRANTY.

*Owner must ensure that all players know and follow these rules for safe operation of the system.*

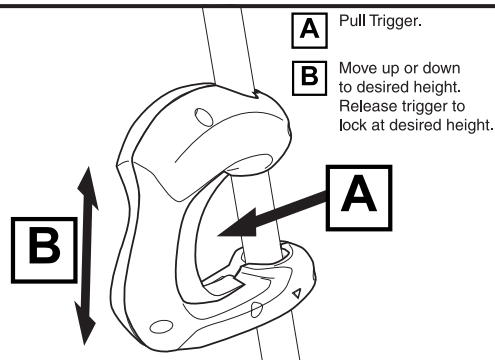
To ensure safety, do not attempt to assemble this system without following the instructions carefully. Check entire box and inside all packing material for parts and/or additional instruction material. Before beginning assembly, read the instructions and identify parts using the hardware identifier and parts list in this document. Proper and complete assembly, use, and supervision are essential for proper operation and to reduce the risk of accident or injury. A high probability of serious injury exists if this system is not installed, maintained, and operated properly.

- If using a ladder during assembly, use extreme caution.
- Two (2) people are recommended for this operation.
- Check base regularly for leakage. Slow leaks could cause system to tip over unexpectedly.
- Seat the pole sections properly (if applicable). Failure to do so could allow the pole sections to separate during play and/or transport of the system.
- Climate, corrosion, or misuse could result in system failure.
- Minimum operational height is 6' 6" (1.98 m) to the bottom of backboard.
- This equipment is intended for home recreational use only and NOT excessive competitive play.
- Read and understand the warning label affixed to pole.
- The life of your basketball pole depends on many conditions. The climate, placement of the pole, location of the pole, exposure to corrosives such as pesticides, herbicides, or salts are all important.
- If technical assistance is required, contact Huffy Sports.
- Adult supervision is recommended when adjusting height.

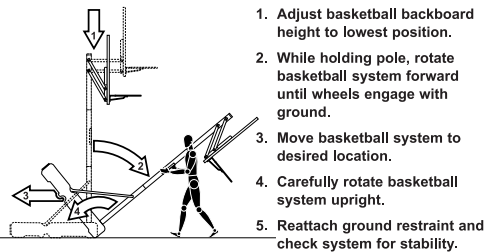
*Most injuries are caused by misuse and/or not following instructions.  
Use caution when using this system.*

25

## HEIGHT ADJUSTMENT



## MOVING SYSTEM



211262 06/00



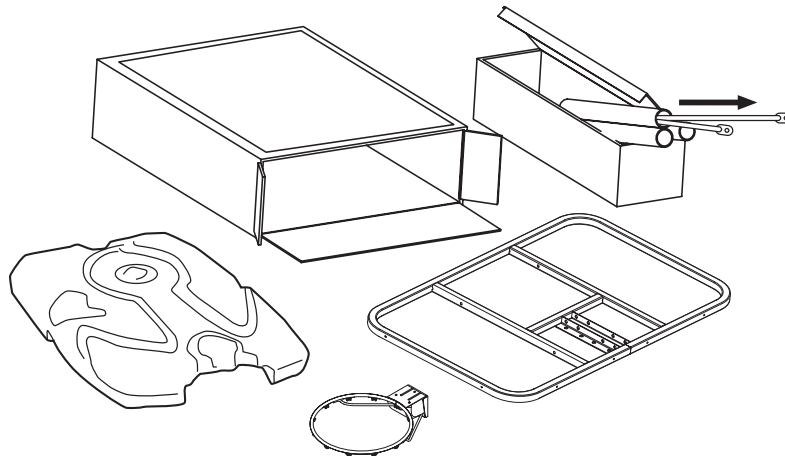
Questions or Missing Parts?

**DON'T go back to store!**

Call TOLL-FREE Customer Service  
Number listed on the front page!

**IMPORTANT!**

**Remove all contents from boxes.  
Be sure to check inside pole sections,  
hardware and additional parts are packed inside.**



***NOTICE TO ASSEMBLERS***

**ALL Huffy Sports Basketball Systems, including those used for DISPLAYS, MUST be assembled and ballasted with sand or water according to the instructions. Failure to follow instructions could result in SERIOUS INJURY. It is NOT acceptable to devise a makeshift weight system.**

**WARRANTY CARD:**

Please remember to complete your product registration form either on-line at:

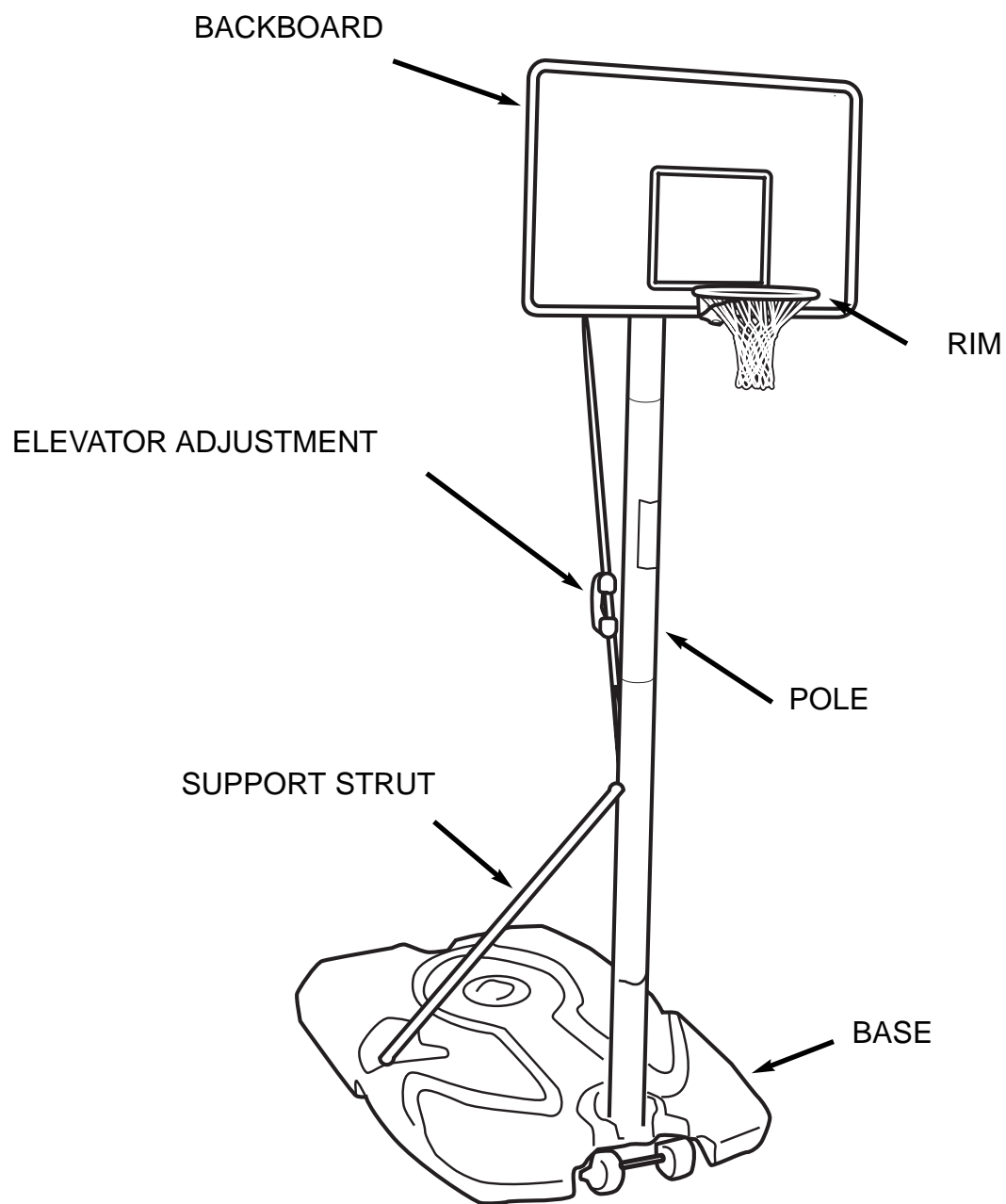
**[www.huffysports.com/customer\\_support/product\\_registration](http://www.huffysports.com/customer_support/product_registration)** or  
mail-in the enclosed postcard.

**WARNING:** IF YOUR SYSTEM IS EQUIPPED WITH AN ACRYLIC BACKBOARD, EXAMINE BACKBOARD FOR ANY DAMAGE THAT MAY HAVE OCCURRED DURING SHIPMENT. CRACKS IN THE BACKBOARD COULD RESULT IN SUDDEN BREAKAGE. IF BACKBOARD IS DAMAGED IN ANY WAY PRIOR TO OR AFTER ASSEMBLY, CALL TOLL-FREE NUMBER:

U.S. 1-800-558-5234; CANADA: 1-800-284-8339; <http://www.huffysports.com>

*Get to know the basic parts of your basketball system...*

**FRONT VIEW**



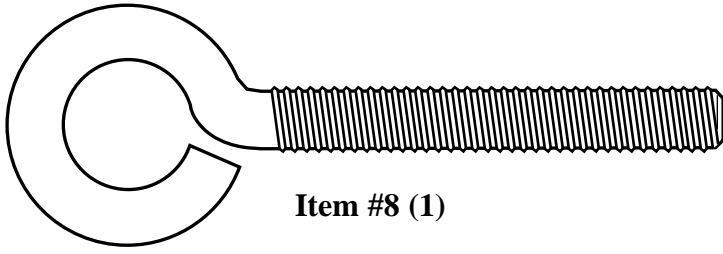
## PARTS LIST - See Hardware Identifier

<u>Item</u>	<u>Qty.</u>	<u>Part No.</u>	<u>Description</u>
1	1	206657	Tank, (Black)
2	1	200628	Wheel Axle
3	2	226401	Wheel, 4" (Black)
4	1	90021701	Top Pole Section
5	1	904840	Middle Pole Section
6	1	900136	Bottom Pole Section
7	1	202820	Rod, 3/8 O.D. x 4-3/4 Long
8	1	202822	Eyebolt, 3/8-16 x 2-1/2 Long
9	7*	203063	Nylon Insert Lock Nut, 3/8-16
10	2	906206	Tank Strut
11	1	201625	Bolt, Yellow Dichromate, 5/16-18 X 3.60" Long
12	6	203218	Washer, Flat, 3/8 I.D.
13	2	203099	Nylon Insert Lock Nut, 5/16-18
14	1	206219	Cap, Pole Top 3"
15	6	205528	Bolt, Hex Flange, 5/16-18 x 1 Long
16	8	203100	Nut, Hex Flange, 5/16-18
17	2	201651	Spacer .500 I.D. x .25 Long
18	5	204804	Screw, Phillips Head, 3/4 Long
19	1	200627	Wheel Bracket
20	1		Rim
21	5	206340	Nut 1/2-13
22	5	206304	Bolt 1/2-13 x 6-5/16 Long
23	1	202739	Bolt 5/16-18 x 1.75 Long
24	2	203617	Plug Cap
25	1	211262	Label, Height Adjustment and Moving
26	1		Net
27	1	200209	Pole Mount Bracket
28	2	203231	Bolt, Carriage, 5/16-18 x 3.5 Long
29	2	90096401	Backboard Bracket
30	1	203472	Spring, Black, Slam Jam
31	1	200318	Bracket, Reinforcement, Slam Jam
32	1	900033	Bracket Slam Jam
33	1	200212	Trigger
34	1	206990	Reinforcement Bracket
35	4	204961	Bolt, Hex 3/8-16 x .625 Long
36	1	203796	T-Bolt, 3/8-16 x 5" Long
37	1	204872	Labels Height Indicator
38	1	203470	Washer Flat, Slam Jam
39	2	203678	Bolt, Hex, 3/8-16 x 6.5" Long
40	1	203795	Nut, Special, Slam Jam
41	2	902537	Lower Elevator Tubes
42	4	201642	Spacer .530 I.D. x .5 O.D. x .63 Long
43	1	204838	Spring, Elevator
44	2	900184	Upper Elevator Tubes
45	1	200215	Cross Pin
46	1	200214	Locking Pin
47	1	200211	Left Handle
48	1	200210	Right Handle
49	1	900006	Adjustment Tube - Upper
50	1	200257	Spring
51	2	202862	Spacer .563 I.D. x 1.19 Long
52	1	908109	Adjustment Rod - Lower

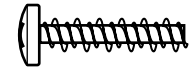
**NOTE:** Hardware kit is designed for more than one style of basketball system. Not all hardware will be used.

\* You may have extra parts with this model.

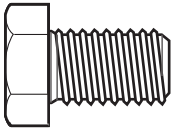
# HARDWARE IDENTIFIER (BOLTS AND SCREWS)



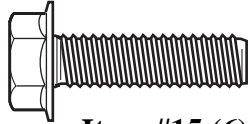
Item #8 (1)



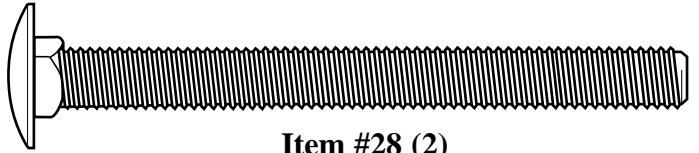
Item #18 (5)



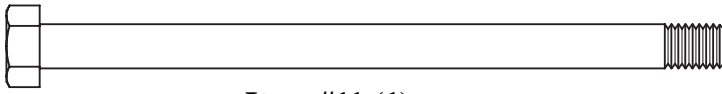
Item #35 (4)



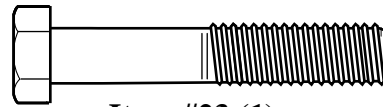
Item #15 (6)



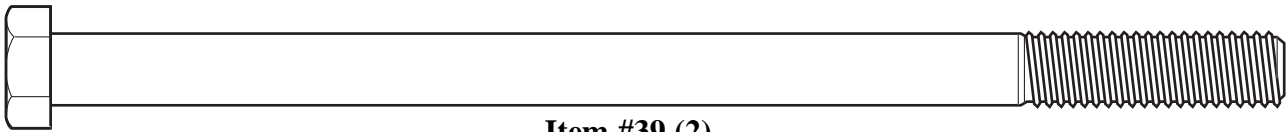
Item #28 (2)



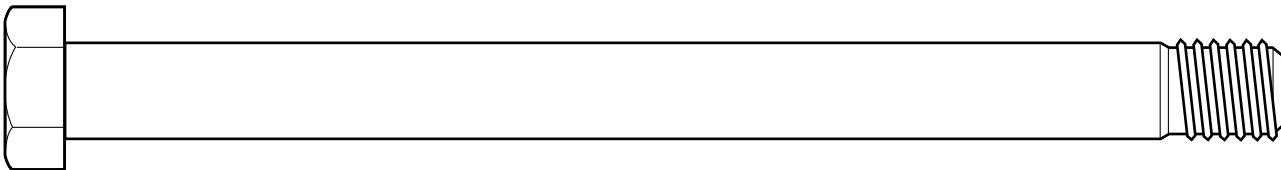
Item #11 (1)



Item #23 (1)

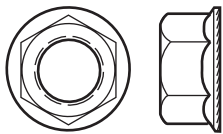


Item #39 (2)

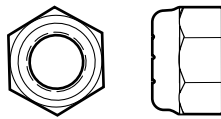


Item #22 (5)

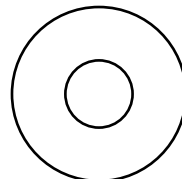
# HARDWARE IDENTIFIER (NUTS AND WASHERS)



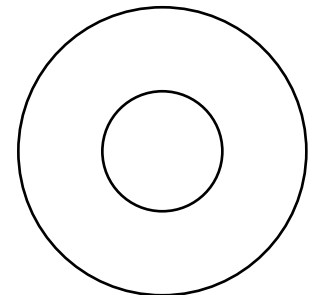
Item #16 (8)



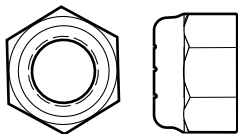
Item #13 (2)



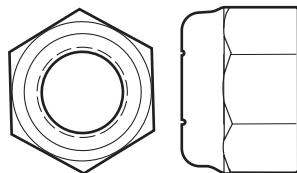
Item #12 (6)



Item #38 (1)

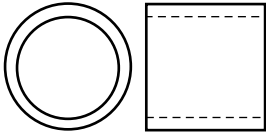


Item #9 (7\*)

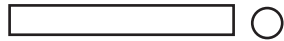


Item #21 (5)

## HARDWARE IDENTIFIER (STEEL SPACERS)



Item #42 (4)



Item #45 (1)

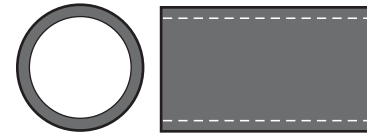


Item #46 (1)

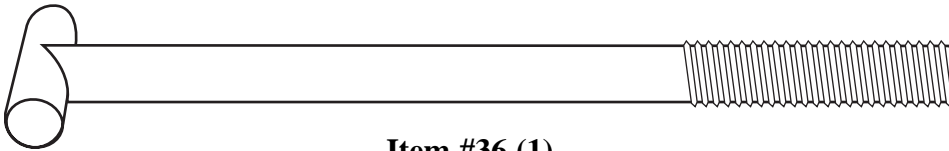
## HARDWARE IDENTIFIER (PLASTIC SPACERS, CAPS, CLIPS AND OTHER)



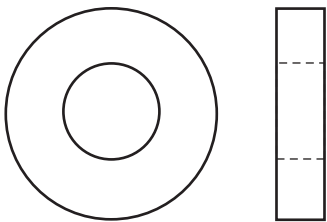
Item #7 (1)



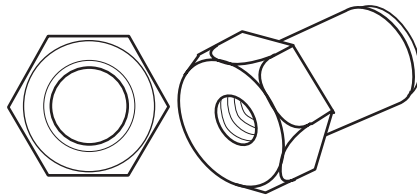
Item #51 (2)



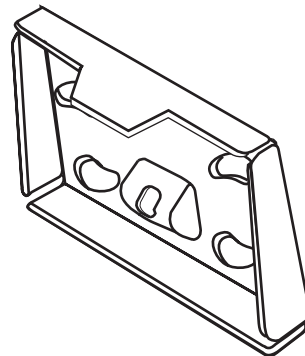
Item #36 (1)



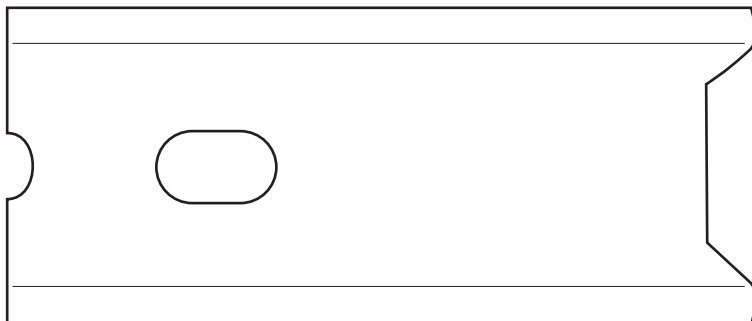
Item #17 (2)



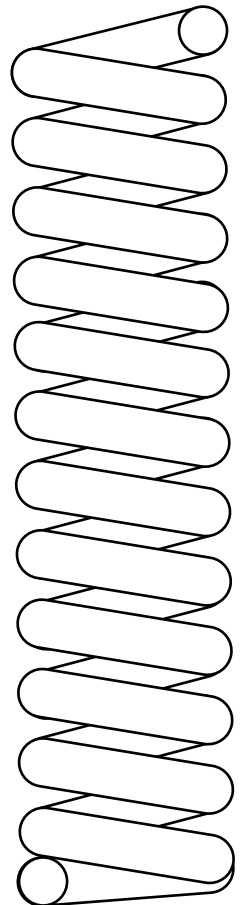
Item #40 (1)



Item #32 (1)



Item #31 (1)

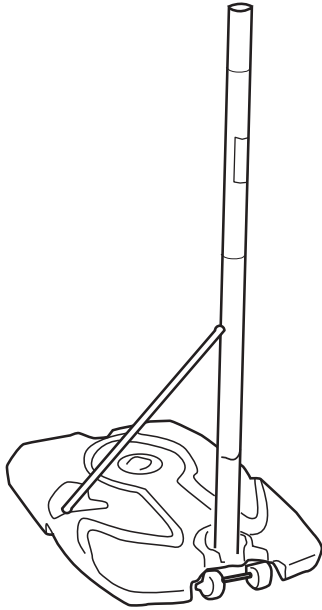


Item #30 (1)



## SECTION A: ASSEMBLE THE BASE

This is what your system will look like when you've finished this section.



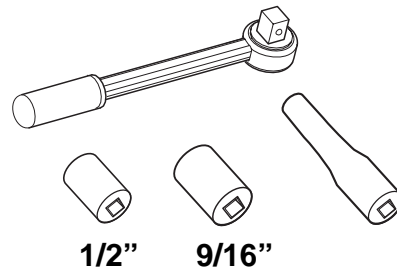
### ITEMS REQUIRED FOR THIS SECTION

(2) 1/2" and (2) 9/16" Wrenches

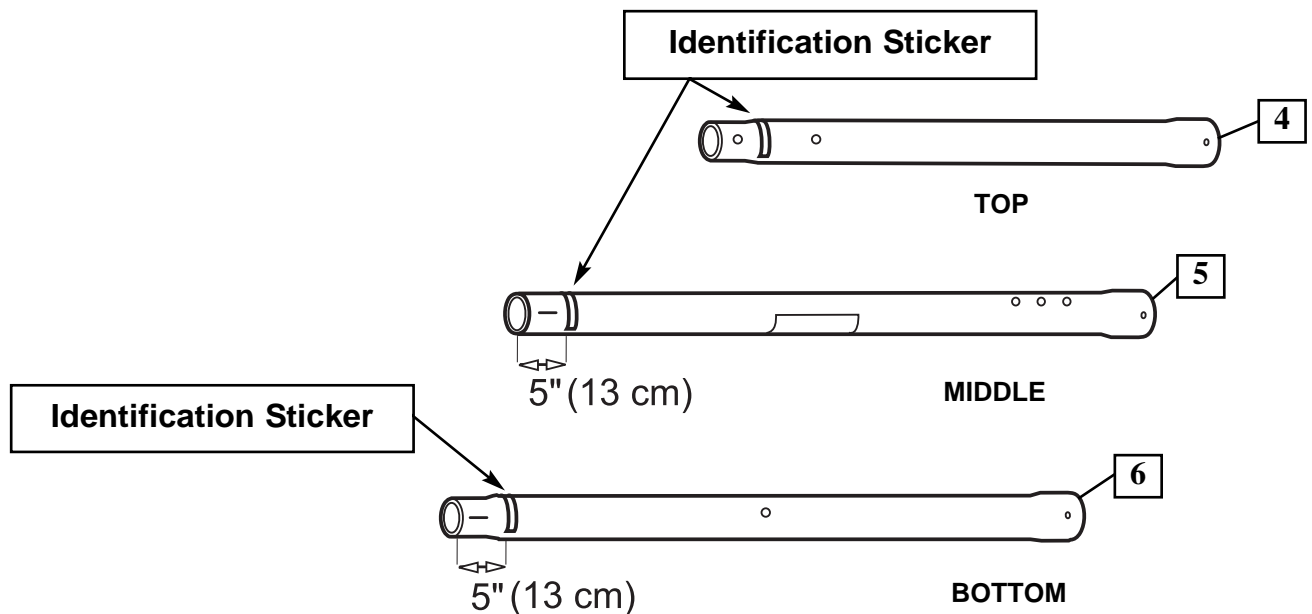


AND/OR

(2) Socket Wrenches and Sockets



1. Correctly identify each pole section. Poles have an identification sticker that will be used as a reference point in the next step.



2. While maintaining alignment, bounce pole top (4) and middle section (5) together as shown until they no longer move toward identification sticker. Upright assembly.

**CAUTION!**

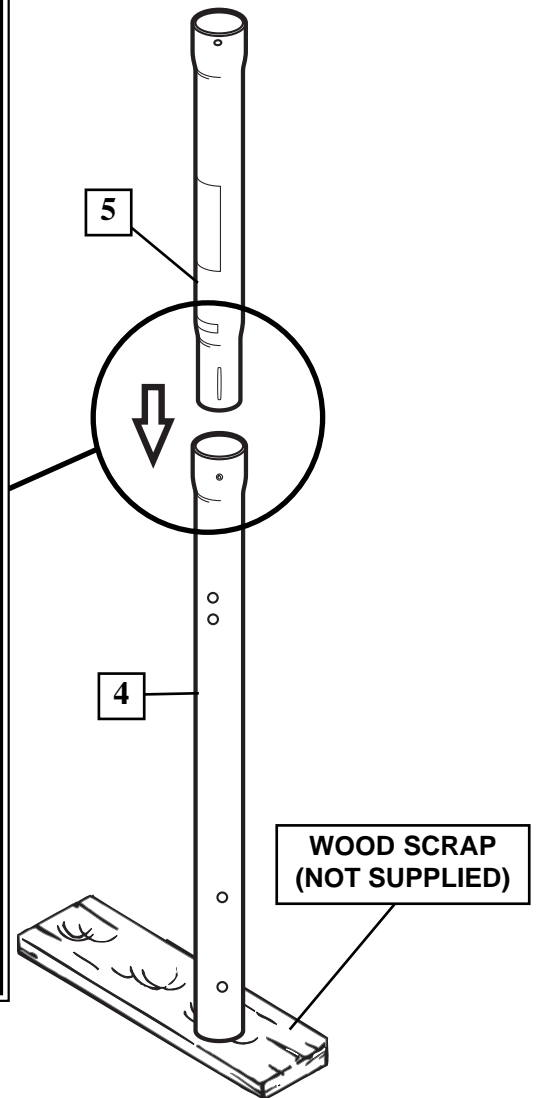
THE IDENTIFICATION STICKER IS LOCATED 5" FROM THE END OF THE POLE. WHEN PROPERLY POUNDED TOGETHER, THE POLE SECTIONS SHOULD HAVE A 3-1/2" MINIMUM OVERLAP, LEAVING 1-1/2" BETWEEN THE OVERLAPPING POLE AND THE IDENTIFICATION STICKER.

**IMPORTANT!**

Align dimple of top pole section (4) into trough of middle pole section (5) as shown.

The diagram illustrates the assembly process. On the left, a vertical pole section (4) is shown with a dimple at its top. On the right, another vertical pole section (5) is shown with a hole at its top. A dashed line indicates that the dimple of section 4 should be aligned with the hole of section 5. A 5-inch measurement is shown from the end of the pole to the ID sticker. A 1-1/2 inch measurement is shown between the overlapping sections. A close-up view shows the dimple and hole fitting together.

Labels: ID STICKER, middle pole, 5", 1-1/2", DIMPLE, HOLE.



3. While maintaining alignment, bounce assembly and bottom pole section (6) together as shown until they no longer move toward identification sticker.

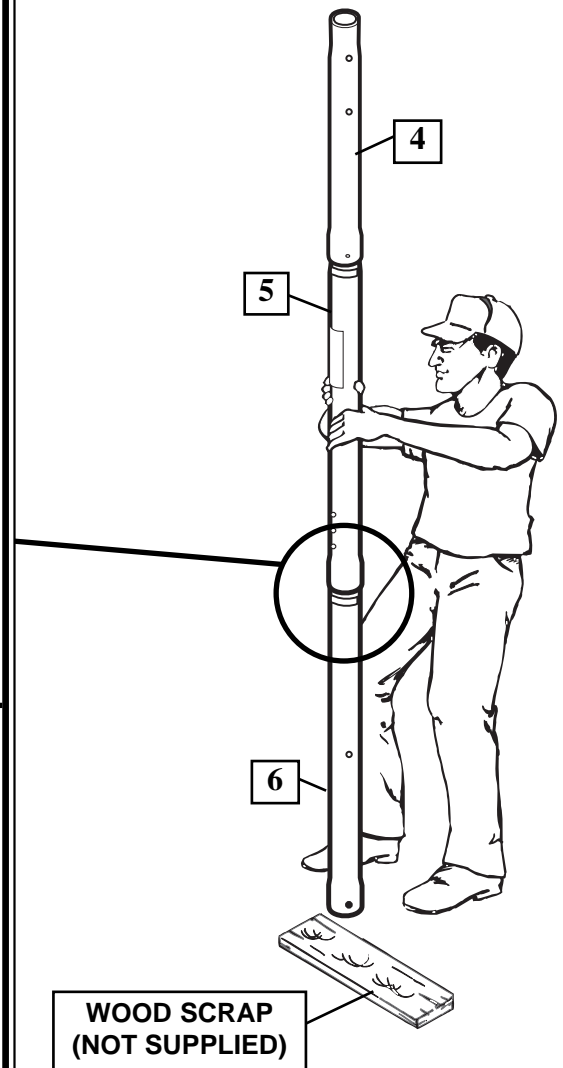
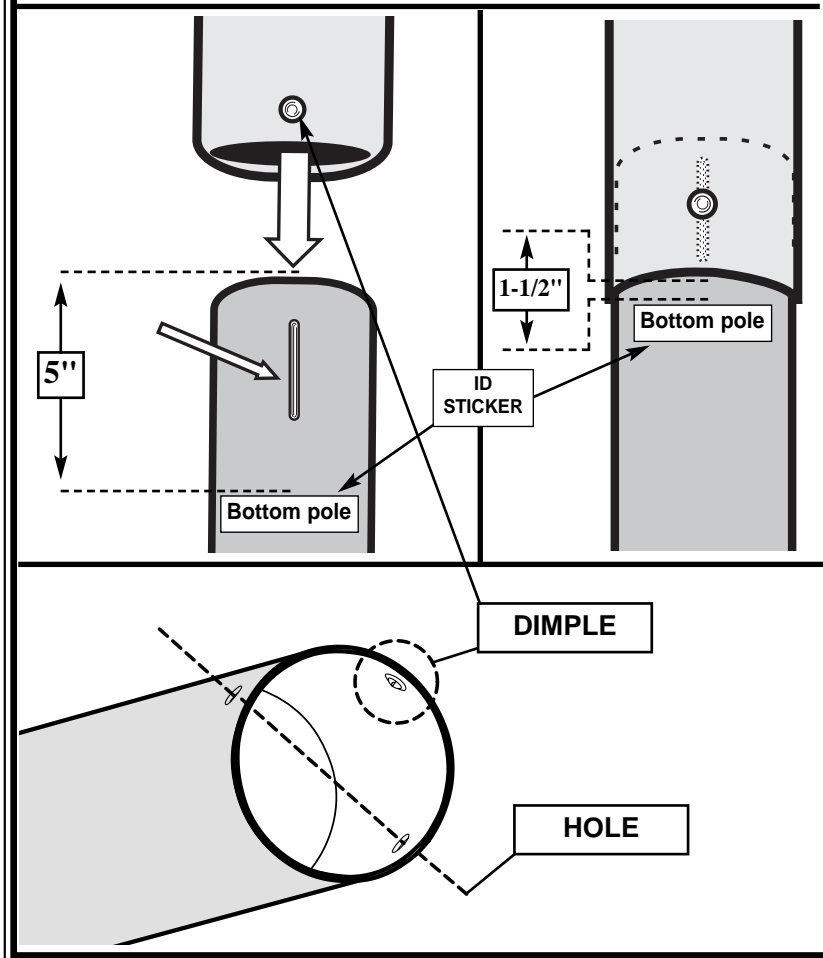


## CAUTION!

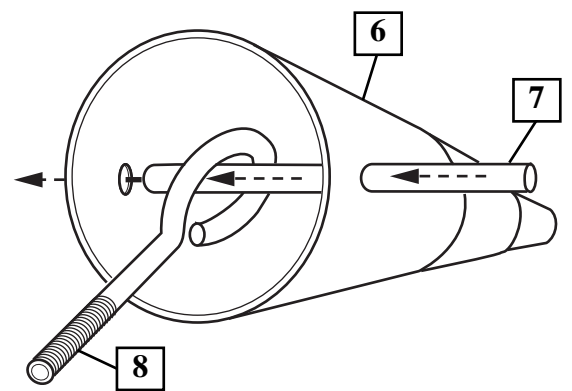
THE IDENTIFICATION STICKER IS LOCATED 5" FROM THE END OF THE POLE. WHEN PROPERLY POUNDED TOGETHER, THE POLE SECTIONS SHOULD HAVE A 3-1/2" MINIMUM OVERLAP, LEAVING 1-1/2" BETWEEN THE OVERLAPPING POLE AND THE IDENTIFICATION STICKER.

## IMPORTANT!

Align dimple of middle pole section (5) into trough of bottom pole section (6) as shown.



- 4.** Install rod (7) through holes in bottom pole section (6) and eyebolt (8).



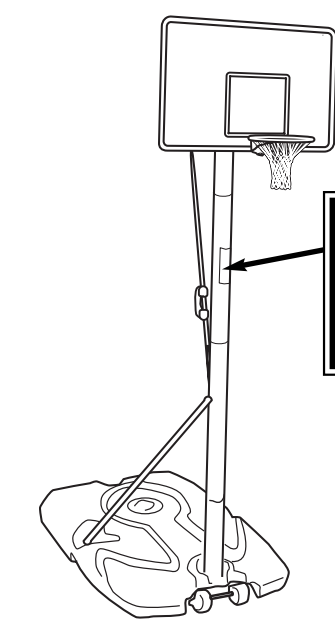
- 5.** Install wheel axle (2) through wheel carriage (19) and install wheels (3) onto wheel axle (2) with spacers (17) as shown. Insert pole assembly into tank assembly as shown. Secure bottom pole (6) section to tank and wheel carriage as shown. A deep socket is recommended.

**IMPORTANT!**

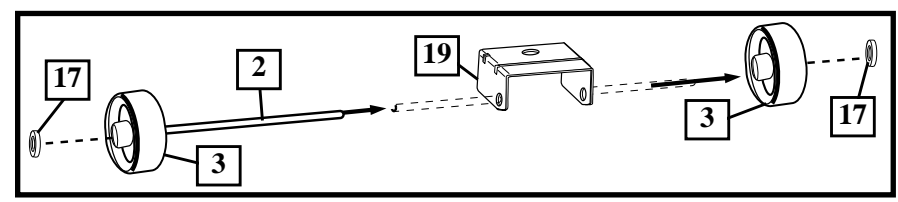
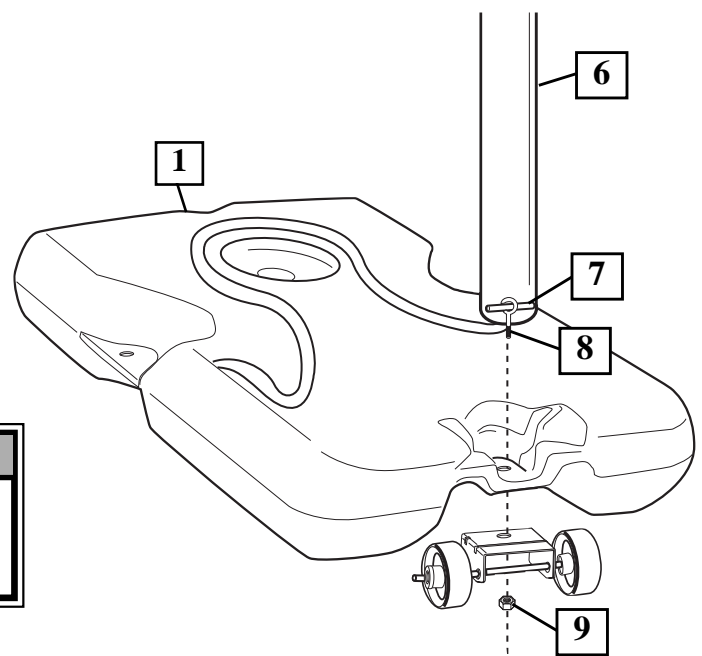
THE SPACER (17) WILL FIT LOOSELY UNTIL SECURED INTO THE CAVITY OF THE BASE.

**IMPORTANT!**  
DO NOT OVER TIGHTEN

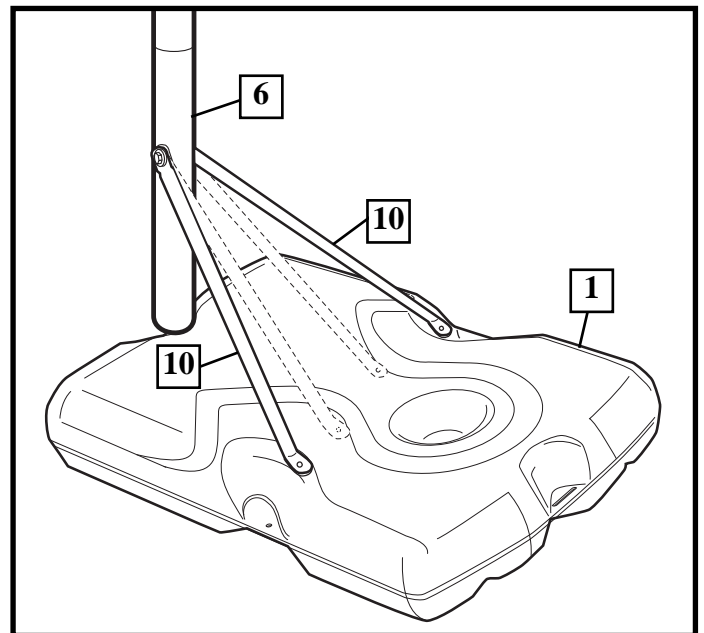
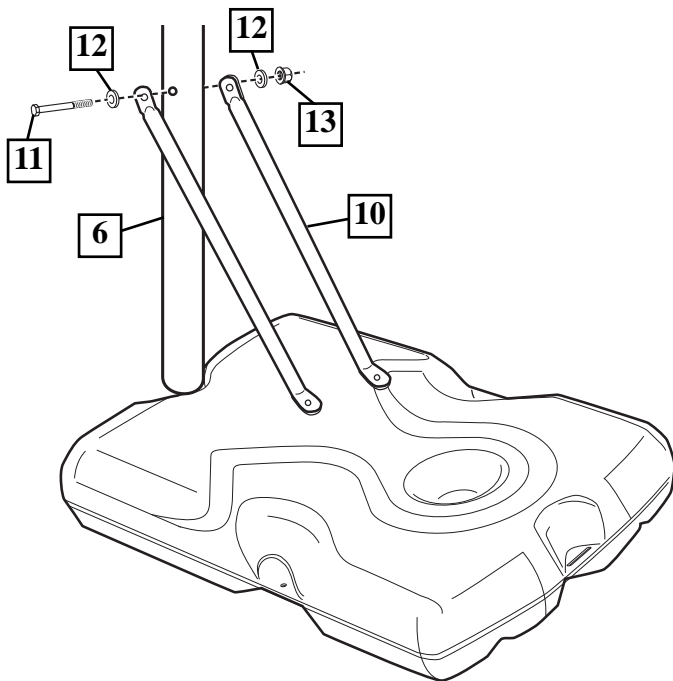
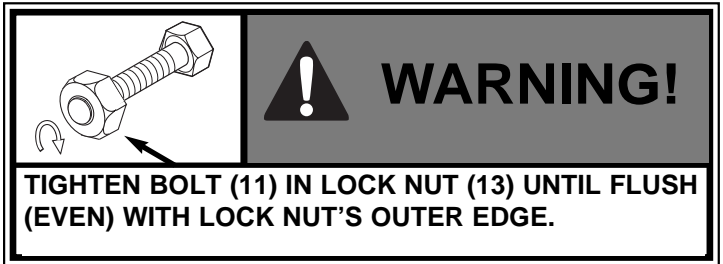
**WARNING!**  
TWO PEOPLE REQUIRED FOR THIS PROCEDURE. FAILURE TO FOLLOW THIS WARNING COULD RESULT IN SERIOUS INJURY AND/OR PROPERTY DAMAGE.



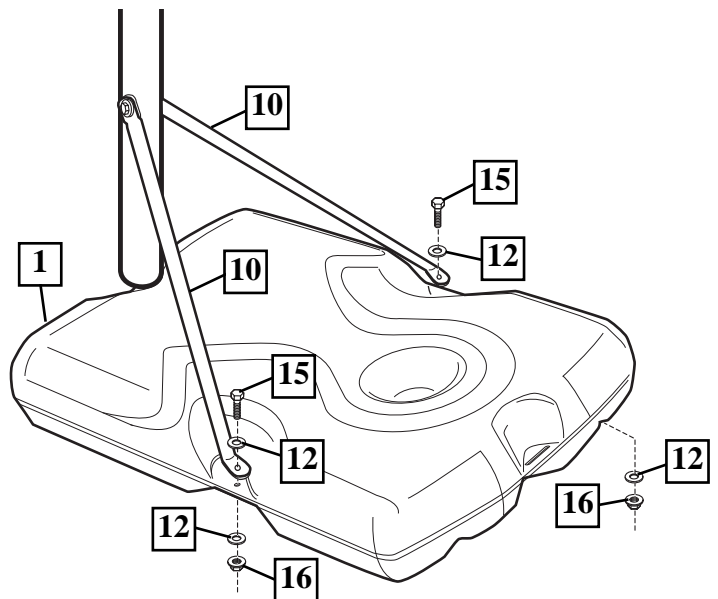
**IMPORTANT!**  
The Warning Label should be facing towards the front.



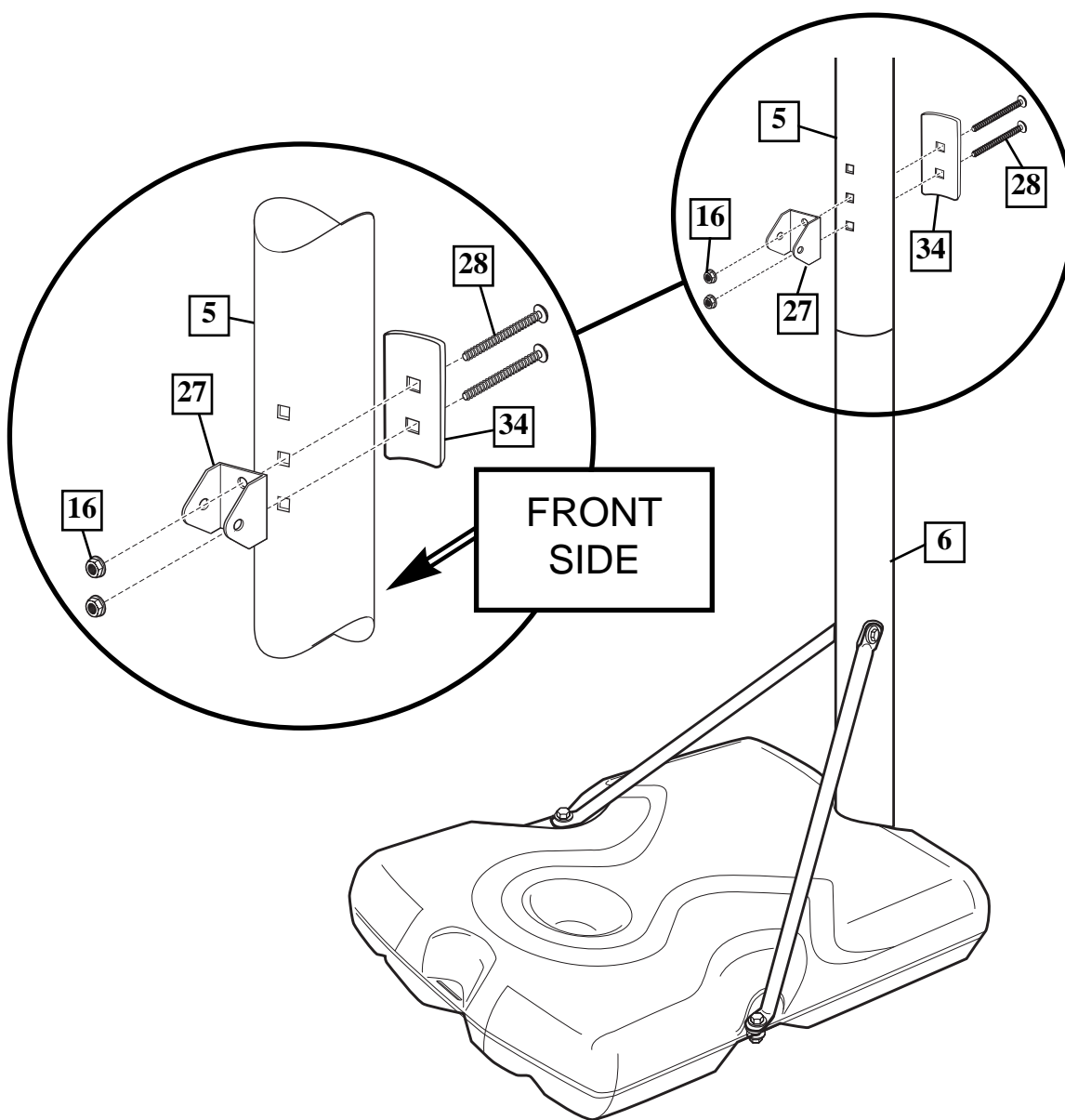
- 6.** Secure flat end of tank struts (10) to pole using bolt (11), washers (12), and nut (13), as shown. Rotate the non-secured angled ends of the struts (10) as shown.



- 7.** Secure tank struts (10) to the base using bolt (15), washers (12), and nut (16).

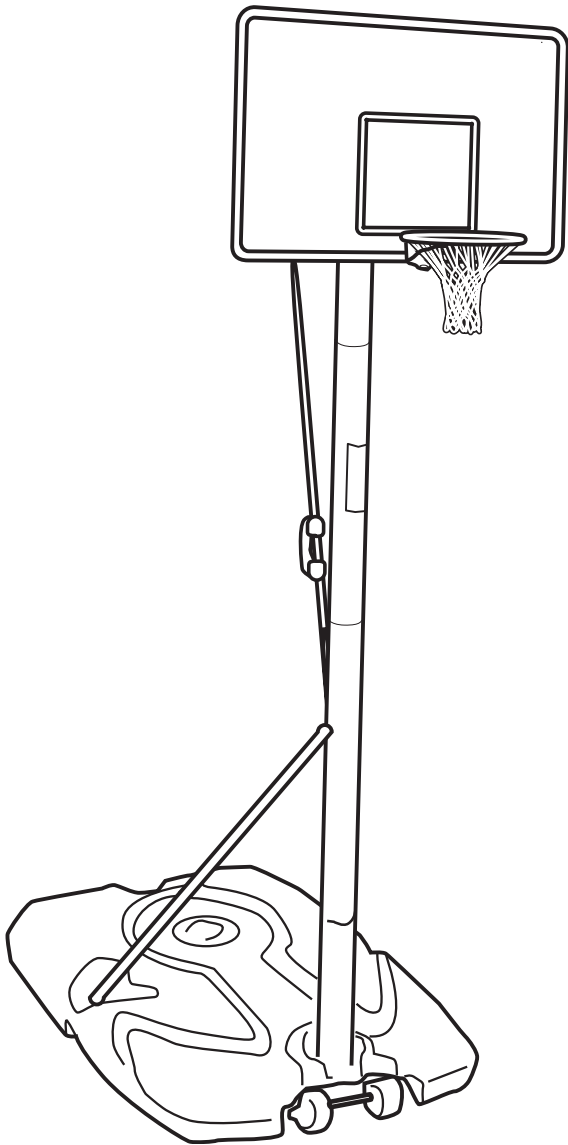


- 8.** Install pole mount bracket (27) and reinforcement bracket (34) with carriage bolts (28) in lower pole mounting holes as shown. Tighten flange nuts (16) completely.



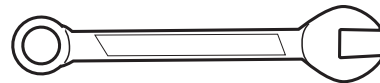
## SECTION B: ATTACH THE BACKBOARD

This is what your system will look like when you've finished this section.



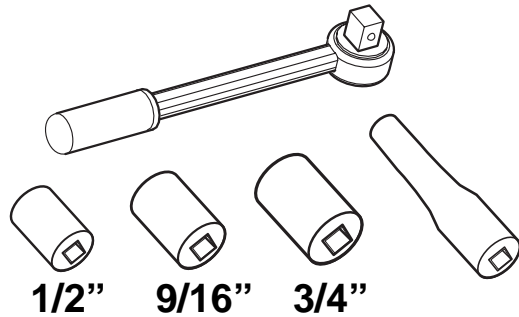
### ITEMS REQUIRED FOR THIS SECTION

**(2) 1/2" AND (2) 9/16" AND (2) 3/4" Wrenches**

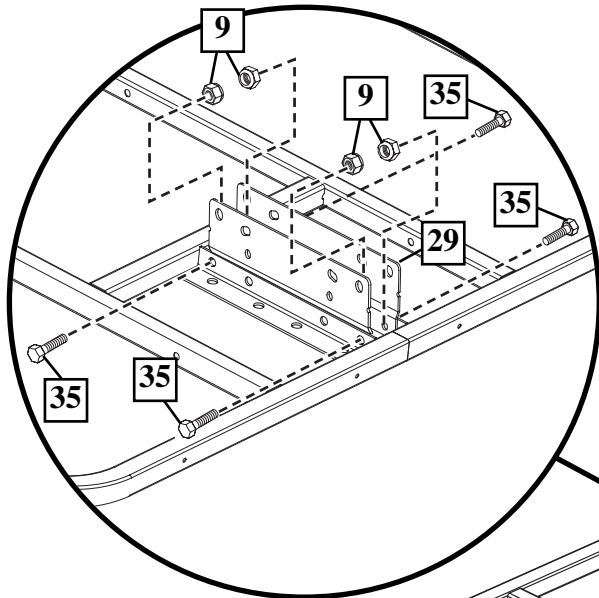


**AND/OR**

**(2) Socket Wrenches and Sockets**



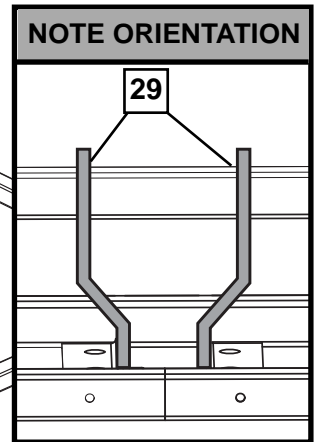
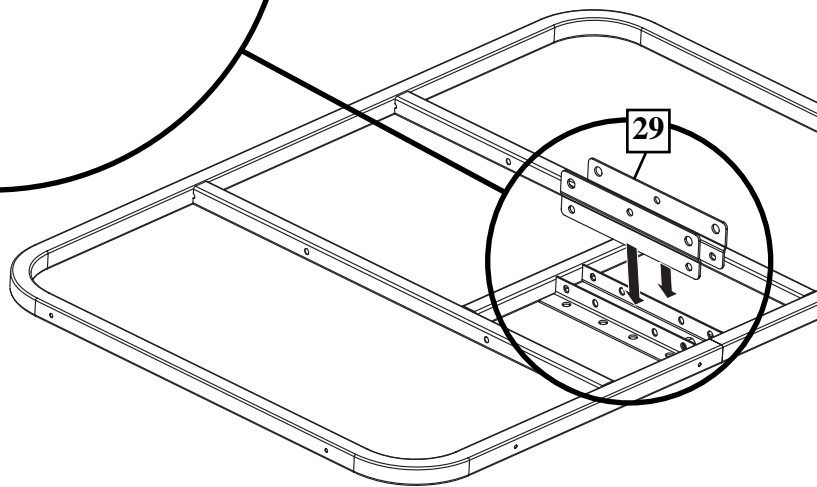
1. Assemble backboard brackets (29) using bolts (35), and nuts (9) as shown.



**! IMPORTANT!**

Two illustrations showing a hand testing a bolt into a hole. The first shows the bolt being inserted into a hole in a bracket. The second shows the bolt being inserted into a hole in a vertical tube.

Test fit bolts into holes of brackets and carefully rock them in a circular motion to ream out paint from holes if necessary.



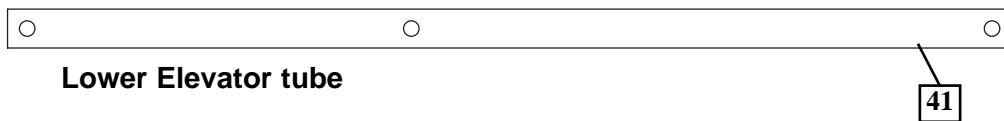
2. Identify elevator tubes (41 and 44).



Upper Elevator tube

**Toward Pole**

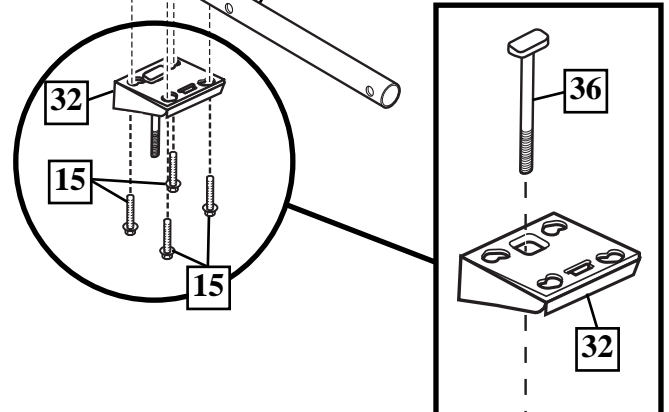
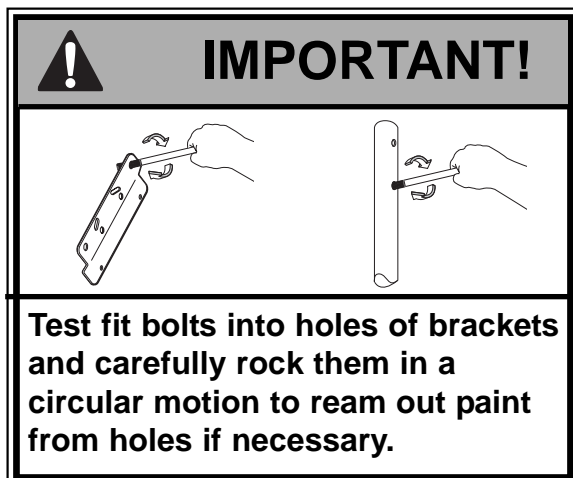
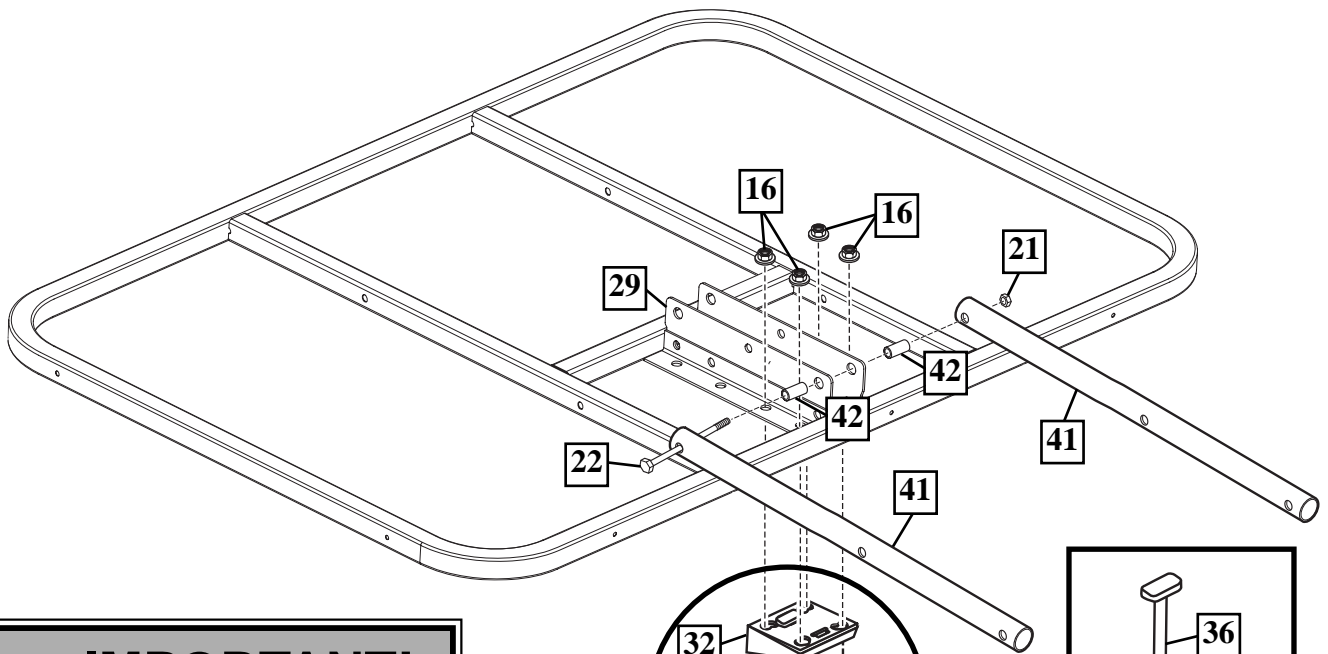
**Toward Board**



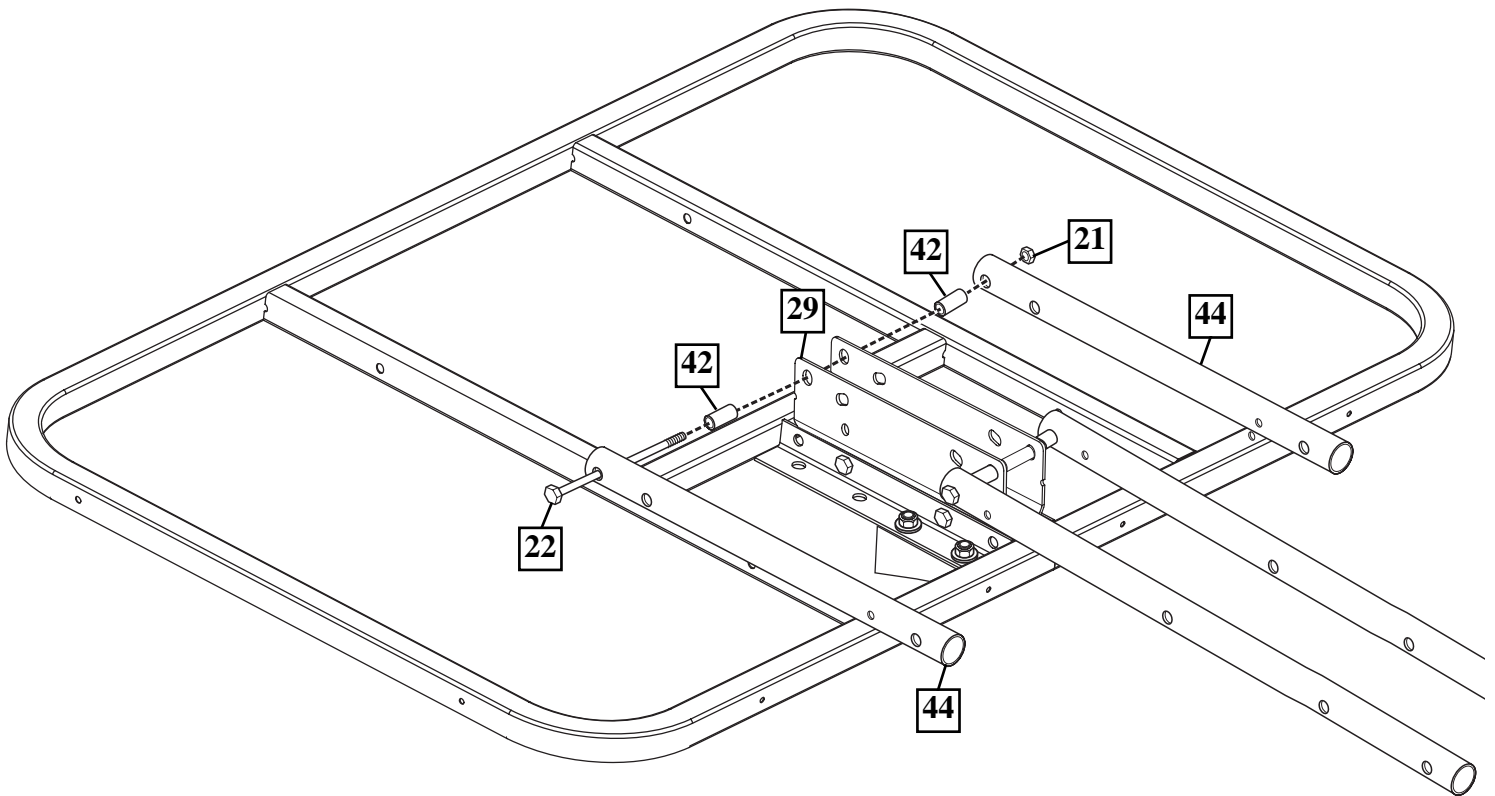
Lower Elevator tube



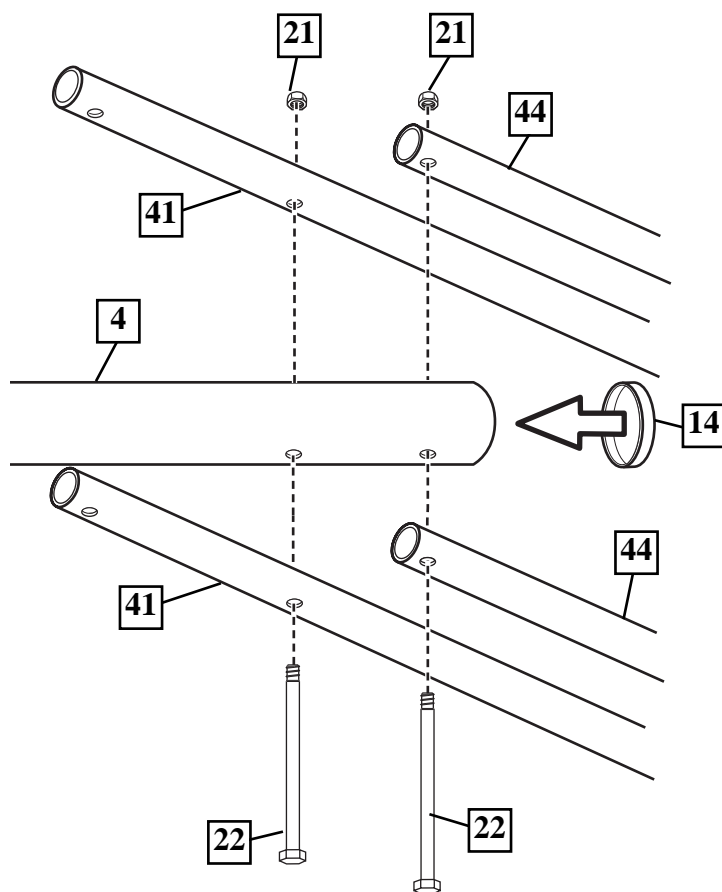
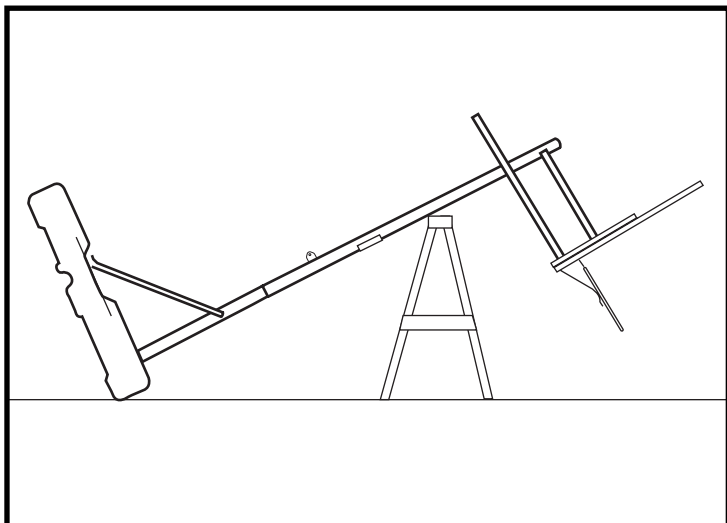
- 3.** Attach lower elevator tubes (41) to backboard brackets (29) using spacers (42) bolt (22) and nut (21) as shown. Insert "T" bolt (36) through Slam Jam bracket (32) as shown. Secure Slam Jam bracket (32) and backboard bracket (29) assemblies to backboard. Use bolt (15) and nut (16) as shown.



- 4.** Attach upper elevator tubes (44) to backboard support brackets (29) using spacers (42), bolt (22), and nut (21) as shown.



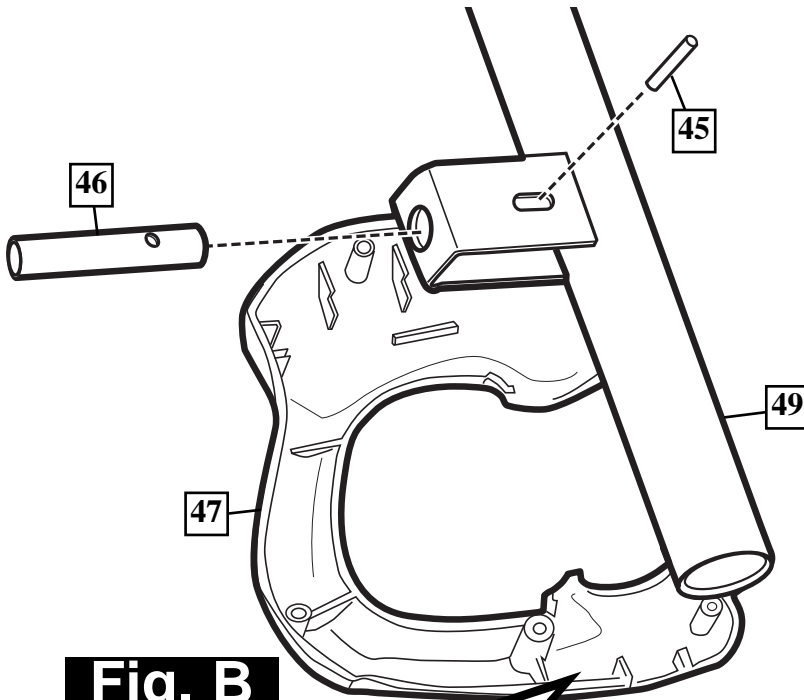
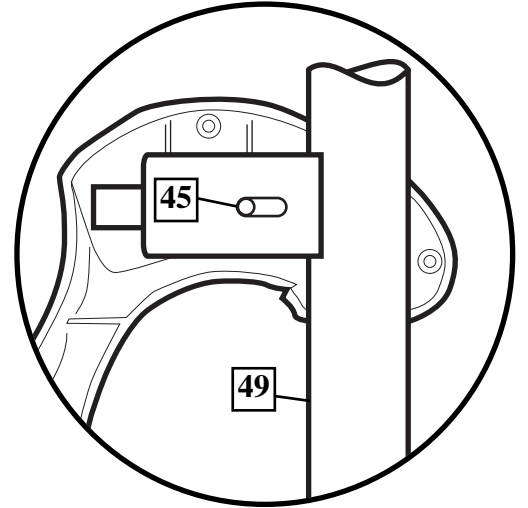
- 5.** Support pole on sawhorse. Attach upper and lower elevator tubes (41 and 44) to upper pole section (4) using bolts (22) and nuts (21) as shown. Attach pole cap (14) as shown.



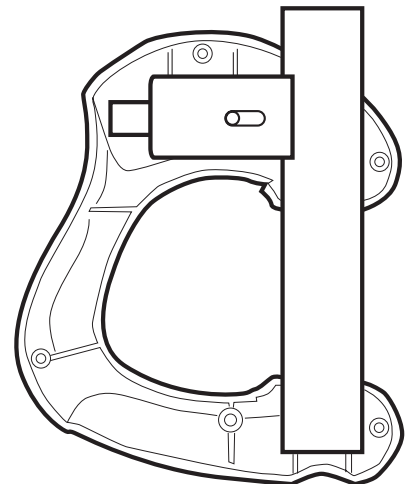
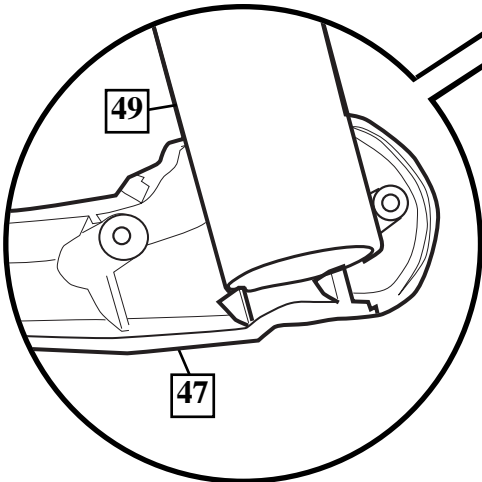
	<b>! WARNING!</b>
	<b>TWO PEOPLE REQUIRED FOR THIS PROCEDURE. FAILURE TO FOLLOW THIS WARNING COULD RESULT IN SERIOUS INJURY AND/OR PROPERTY DAMAGE.</b>

6. Insert locking pin (46) into bracket on adjustment tube (49). Insert cross pin (45) through hole in bracket and locking pin (46) as shown in figure A. Fit left handle (47) onto adjustment tube (49) so the bottom of adjustment tube (49) sits on the two small ribs of the handle as shown in figure B.

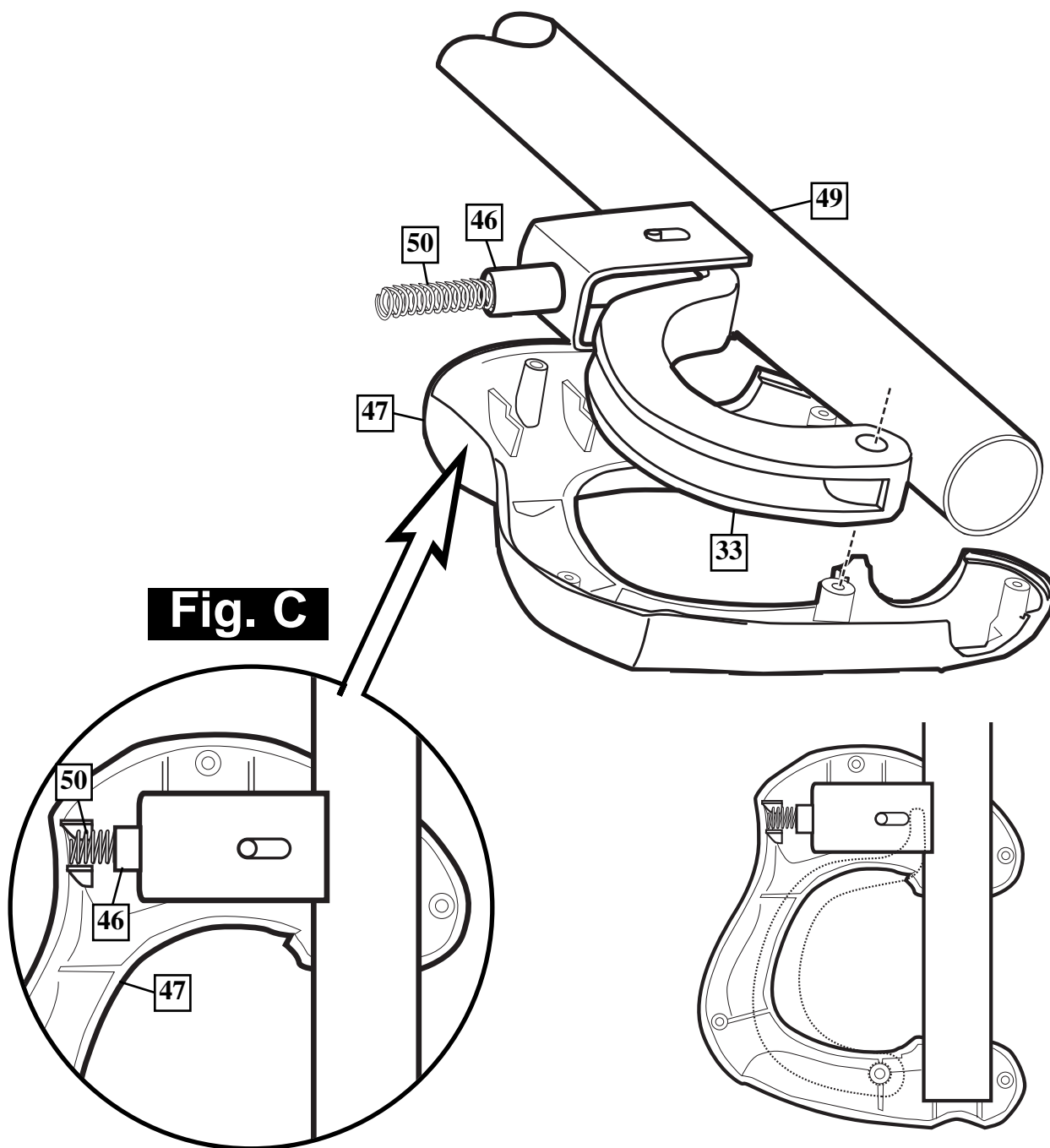
**Fig. A**



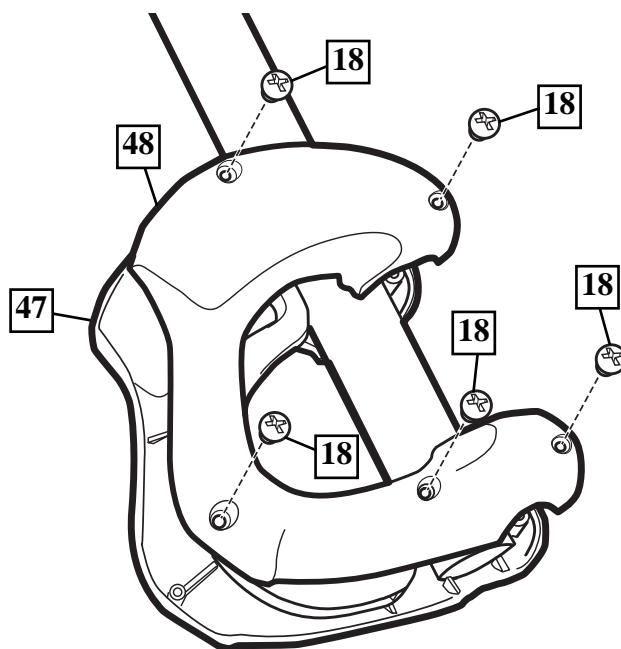
**Fig. B**



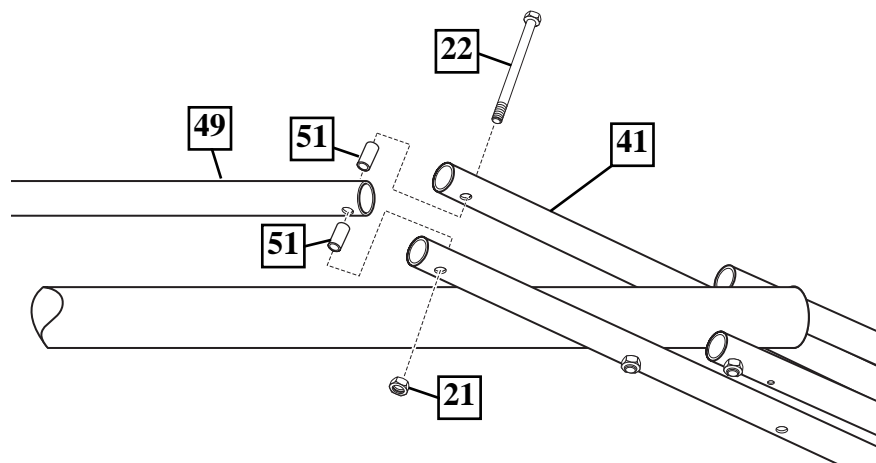
7. Insert spring (50) into back of locking pin (46) as shown. Spring (50) should rest between two small ribs at the back of the plastic handle as shown in Figure C. Insert top of trigger (33) into bracket on the adjustment tube (49) as shown. The plastic post of the handle pieces should go through the hole in bottom of trigger (33) and hold it into place as shown.



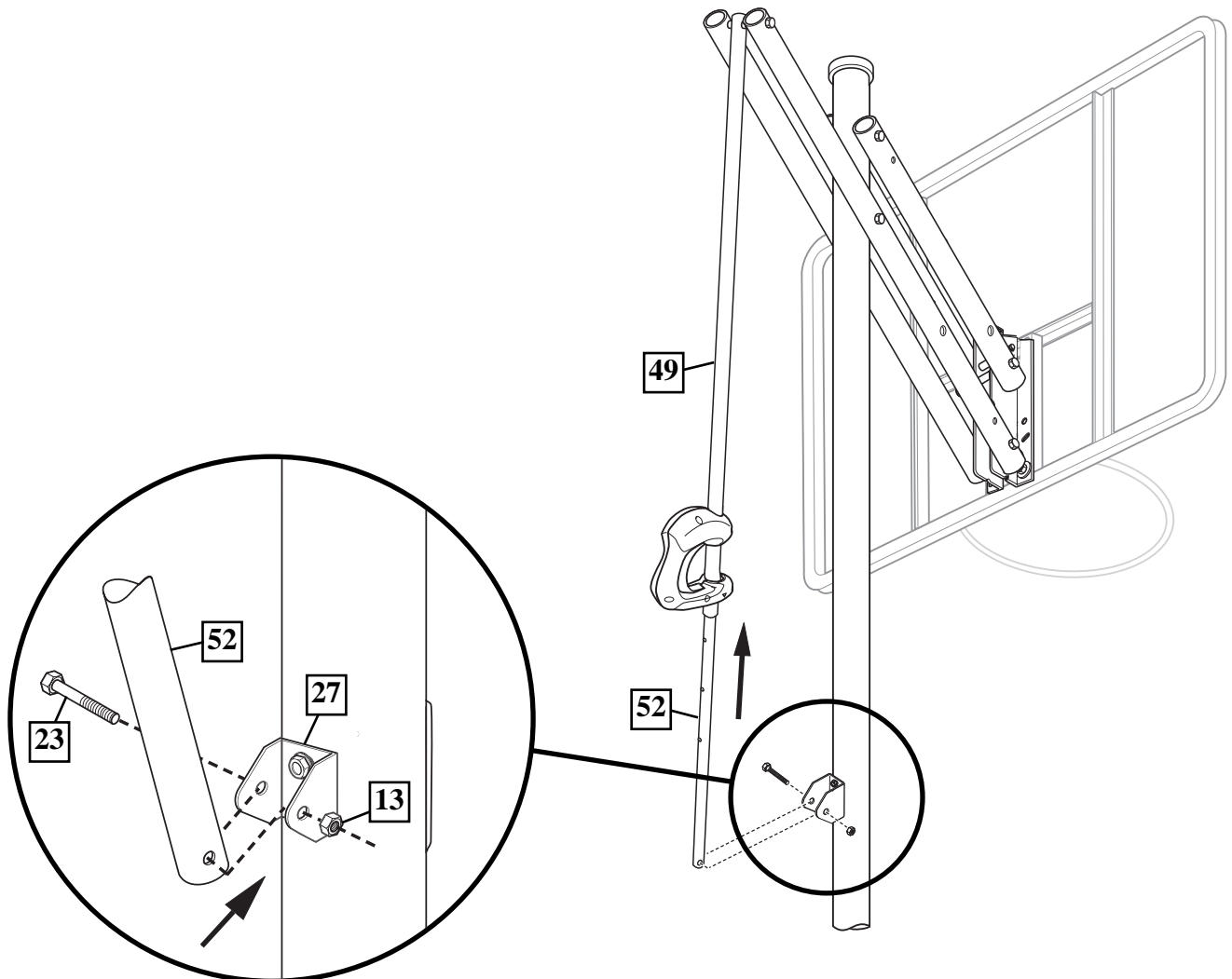
- 8.** Finish handle assembly by attaching right handle (48) using screws (18) as shown.



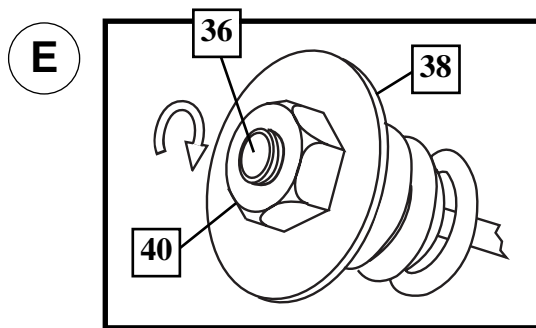
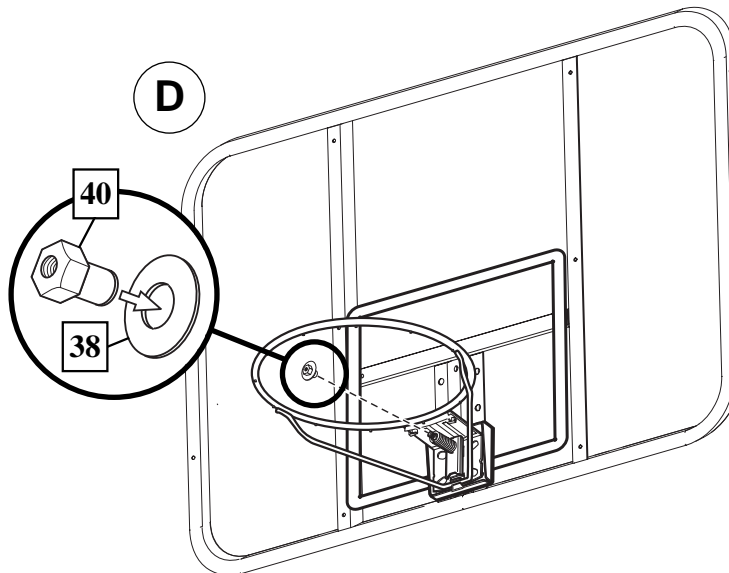
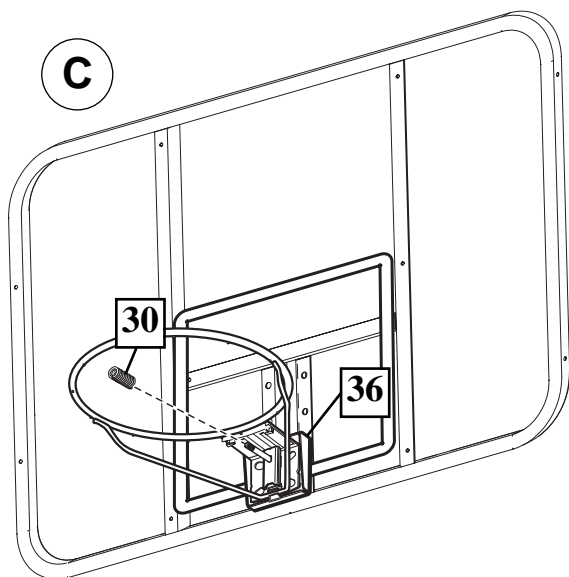
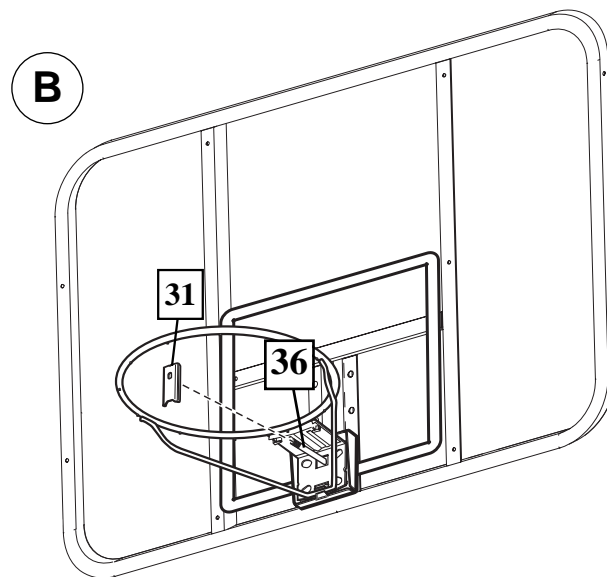
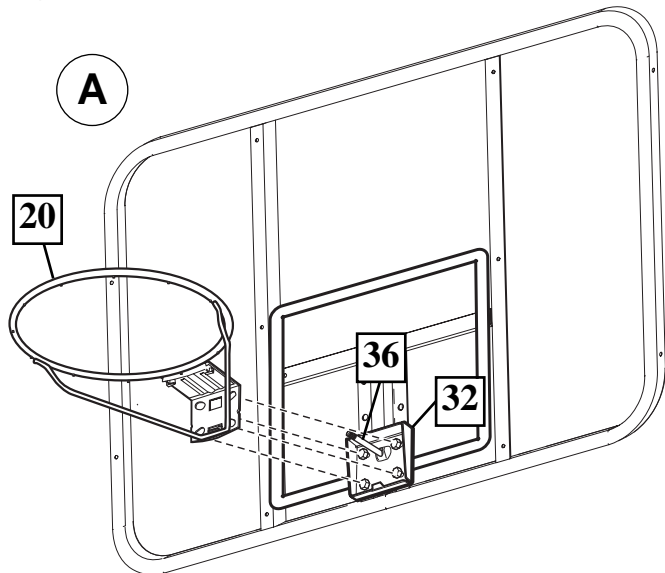
- 9.** Attach adjustment tube (49) to lower elevator tubes (41) using bolt (22) spacers (51) and nut (21) as shown.



- 10.** Insert lower adjustment rod (52) into bottom of adjustment tube (49), pull trigger to allow lower adjustment rod to move about mid-way into adjustment tube (49), release the trigger so the lower adjustment rod (52) locks into position midway inside the adjustment tube (49). Attach the lower adjustment rod (52) to elevator bracket (27) using bolt (23) and nut (13) as shown.

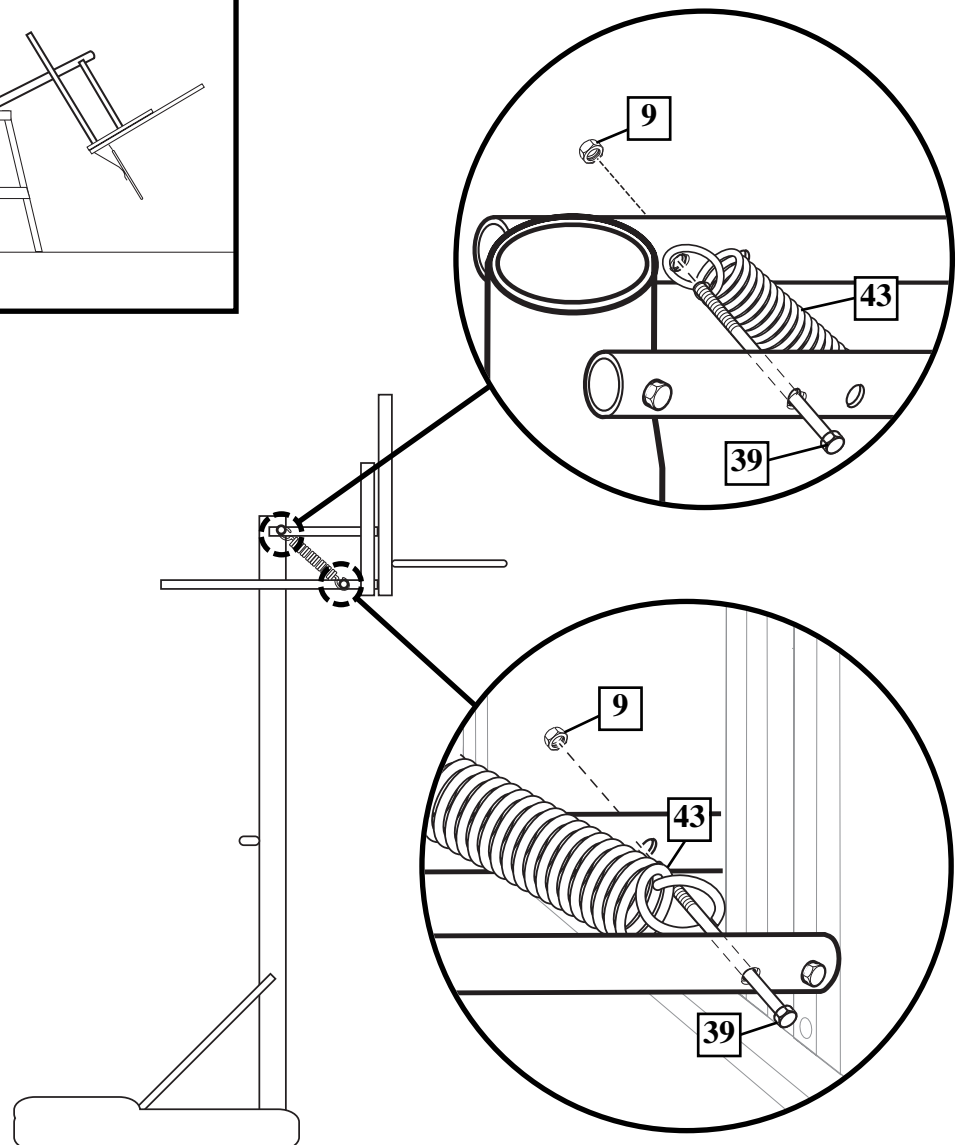
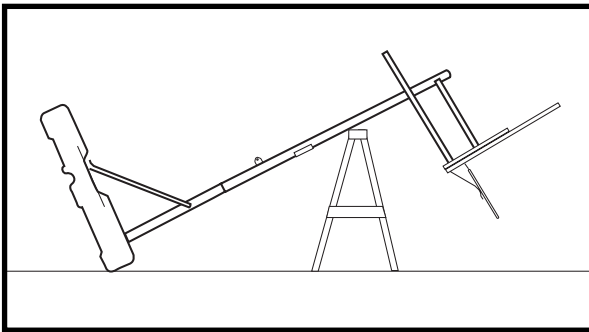
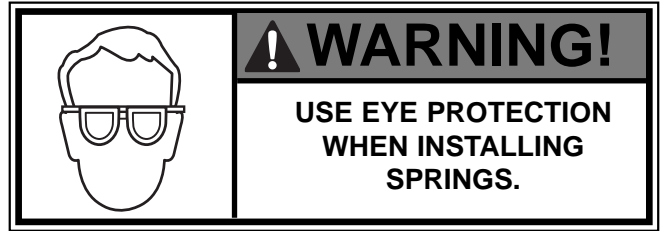


- A. Fit rim (20) securely into bracket (32) as shown. Allow T-bolt (36) to slip through center hole in rim (20).
- B. Install reinforcement bracket (31) onto T bolt (36) as shown.
- C. Install spring (30) onto T bolt (36) as shown.
- D. Install special nut (40) and washer (38) onto T bolt (36).
- E. Tighten nut (40) until flush with end of T bolt (36).

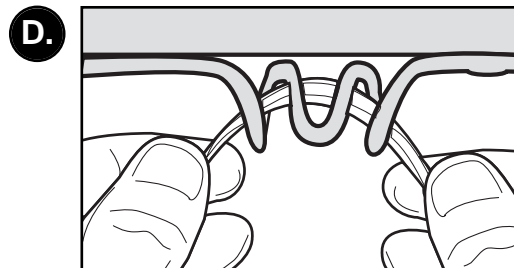
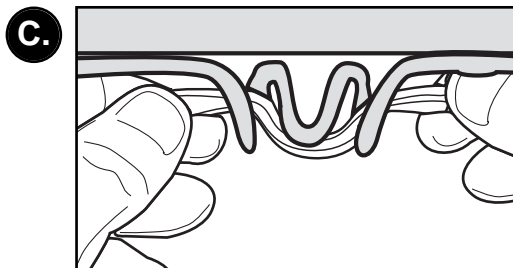
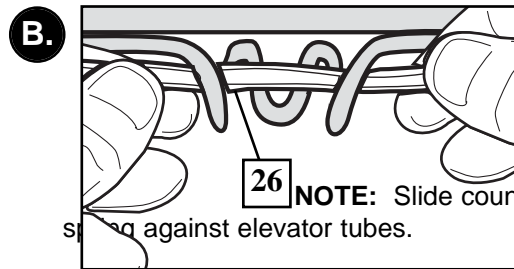
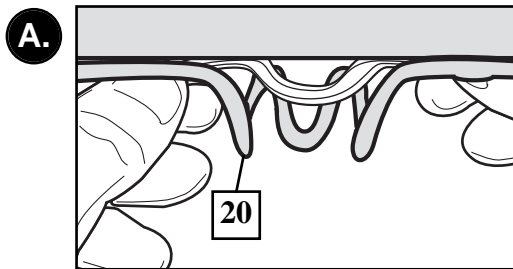




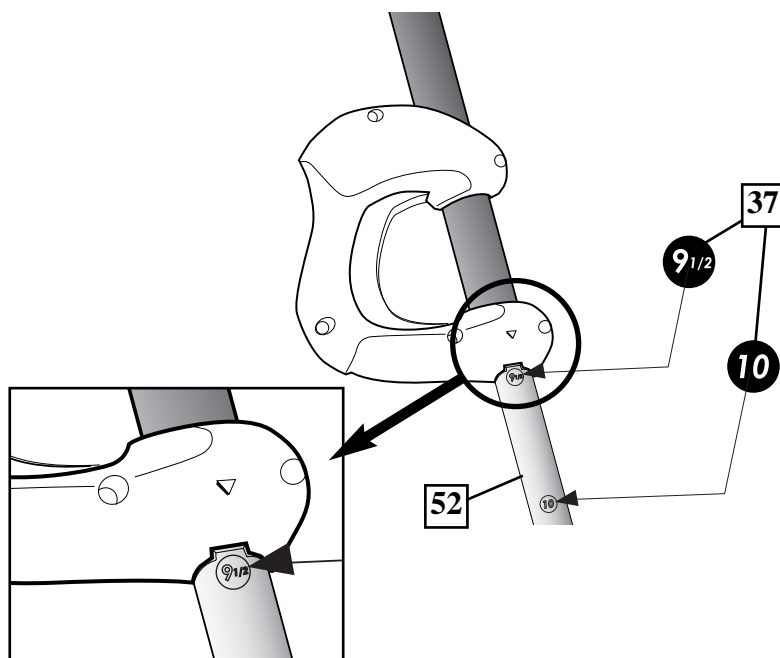
- 12.** Support system on sawhorse. Extend system to highest position before assembly of spring. Attach counterbalance spring (43) to upper elevator tubes with bolt (39) and nut (9) in location shown. Stretch spring to lower elevator tubes and attach with hardware as shown.



**13.** Install net (26) as shown.

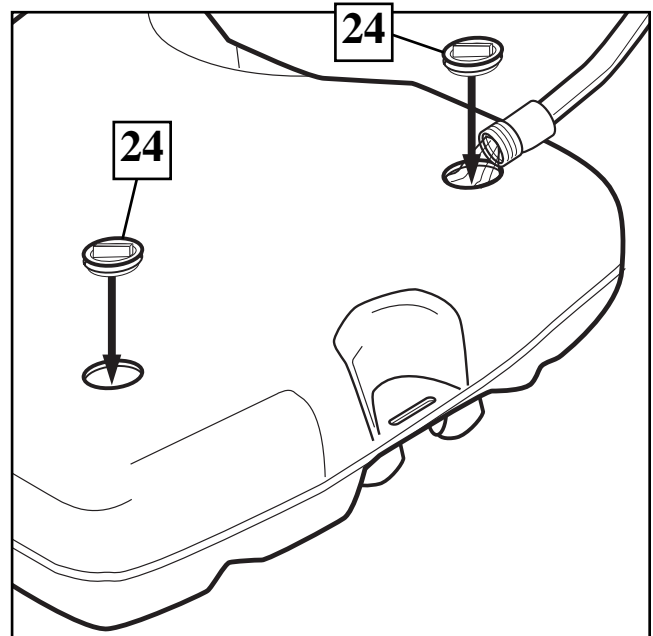




**14.** Lock elevator system into highest position (so the backboard is as high as it will go). Apply 10 ft. height indication sticker (37) to adjustment rod (52) directly below arrow on handle as shown. Move elevator system to the next position and apply the 9 1/2 ft. sticker. Repeat until all height settings have been labeled. (8-10 ft.)

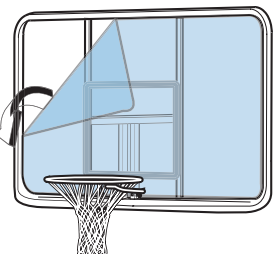


- 15.** Roll completed assembly to desired position. Fill tank with water (approx. 30 gallons/115 Liters) or sand (approx. 300 lbs./136 kg) and snap cap (24) in place.

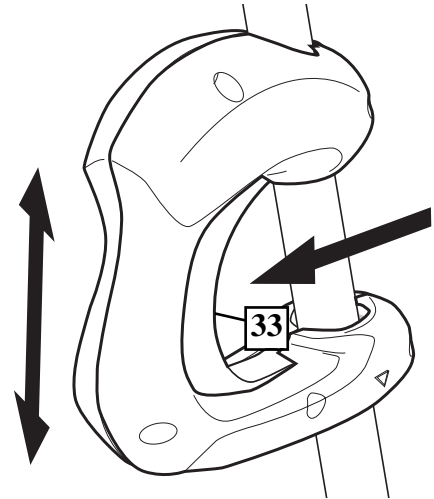
	<b>! WARNING!</b> TWO PEOPLE REQUIRED FOR THIS PROCEDURE. FAILURE TO FOLLOW THIS WARNING COULD RESULT IN SERIOUS INJURY AND/OR PROPERTY DAMAGE.
	DO NOT LEAVE ASSEMBLY UNATTENDED WHEN EMPTY; IT MAY TIP OVER.



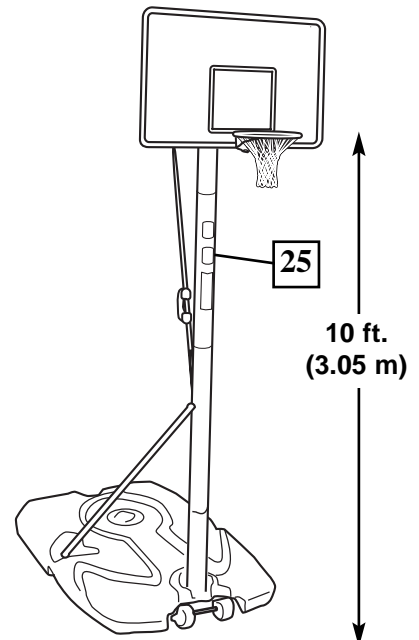
	<b>CAUTION</b>
ADD TWO GALLONS (7.6 LITERS) OF NON-TOXIC ANTIFREEZE IN SUB-FREEZING CLIMATES.	
<b>NOTE:</b>	
	<b><i>IF USING SAND:</i></b> 2 GALLONS OF ANTI-FREEZE IS NOT REQUIRED

	<b>NOTE:</b> Peel protective film from surface of acrylic backboard prior to use.
---	--

- 16.** Pull trigger (33). Move elevator system up or down to desired height, release trigger (33) to lock system into one of the five height settings.



- 17.** Apply the height adjustment and moving label (25) to the front of the pole as shown.



## Free Manuals Download Website

<http://myh66.com>

<http://usermanuals.us>

<http://www.somanuals.com>

<http://www.4manuals.cc>

<http://www.manual-lib.com>

<http://www.404manual.com>

<http://www.luxmanual.com>

<http://aubethermostatmanual.com>

Golf course search by state

<http://golfingnear.com>

Email search by domain

<http://emailbydomain.com>

Auto manuals search

<http://auto.somanuals.com>

TV manuals search

<http://tv.somanuals.com>