

IMPORTANT! In U.S. and Canada only: Have questions? ...don't go back to the store!

We appreciate your purchasing one of our many fine products. We are sure that you will be very satisfied with your selection. Although great care and effort have been taken, occasionally problems may occur. To ensure prompt and correct handling of any problems, or to answer any questions, please contact our Toll-Free Customer Service Number listed below. Service will be quicker if you have your Model Number (found on carton) and assembly instructions ready when calling. PLEASE WRITE YOUR MODEL NUMBER IN THE SPACE PROVIDED ABOVE.

SAFETY INSTRUCTIONS

FAILURE TO FOLLOW THESE SAFETY INSTRUCTIONS MAY RESULT IN SERIOUS INJURY, PROPERTY DAMAGE AND VOID WARRANTY.

Owner must ensure that all players know and follow these rules for safe operation of the system.

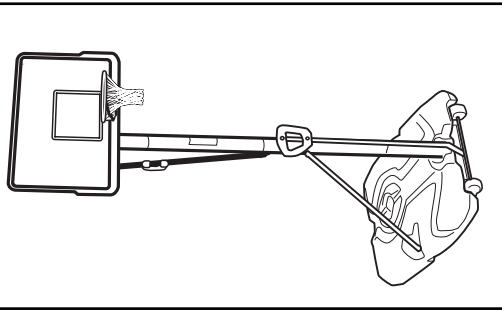
To ensure safety, do not attempt to assemble this system without following the instructions carefully. Proper and complete assembly, use and supervision is essential for proper operation and to reduce the risk of accident or injury. A high probability of serious injury exists if this system is not installed, maintained, and operated properly. Check entire box and inside all packing material for parts and/or additional instructional material. Before beginning assembly, read the instructions and identify parts using the hardware identifier and parts list in this document.

- If using a ladder during assembly, use extreme caution.
- Two (2) people are recommended for this operation.
- Check base regularly for leakage. Slow leaks could cause system to tip over unexpectedly.
- Seat the pole sections properly (if applicable). Failure to do so could allow the pole sections to separate during play and/or transport of the system.
- Climate, corrosion or misuse could result in system failure.
- Minimum operational height is 6' 6" (1.98 m) to the bottom of backboard.
- This equipment is intended for home recreational use only and NOT excessive competitive play.
- Read and understand the warning label affixed to pole. Label is shown on page 1.
- The life of your basketball pole depends on many conditions. The climate, placement of the pole, the location of the pole, exposure to corrosives such as pesticides, herbicides or salts are all important.
- If technical assistance is required, contact Huffy Sports.
- Adult supervision is recommended when adjusting height.

Most injuries are caused by misuse and/or not following instructions. Use caution when using this system.

For more information on assembly, placement, proper use and maintenance, visit The American Basketball Council website at <http://www.smarthoops.com>.

The NBA and individual NBA member team identifications reproduced on this product are trademarks and copyrighted designs, and/or other forms of intellectual property, that are the exclusive property of NBA Properties, Inc. and the respective NBA member teams and may not be used, in whole or in part, without the written consent of NBA Properties, Inc.

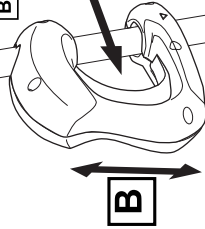


NOTICE TO ASSEMBLERS
ALL Huffy Sports basketball Systems, including those used for DISPLAYS, MUST be assembled and ballasted with sand or water according to instructions. Failure to follow instructions could result in **SERIOUS INJURY**. It is **NOT** acceptable to devise a makeshift weight system.

64

HEIGHT ADJUSTMENT

- A Pull Trigger.
- B Move up or down to desired height. Release trigger to lock at desired height.



MOVING SYSTEM

1. Adjust basketball backboard height to lowest position.
2. Rotate handle forward until wheels engage ground.
3. Move basketball system to desired location.
4. Rotate handle back to original position.
5. Retract ground restraint and check system for stability.

211261 06/00

WARNING

FAILURE TO FOLLOW THESE WARNINGS MAY RESULT IN SERIOUS INJURY AND/OR PROPERTY DAMAGE.

Owner must ensure that all players know and follow these rules for safe operation of the system.

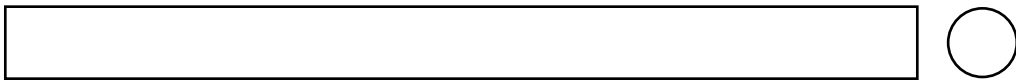
- DO NOT HANG on the rim or any part of the system including backboard, support braces or net.
- During play, especially when performing dunk type activities, keep player's face away from the backboard, rim and net. Serious injury could occur if teeth/face come in contact with backboard, rim or net.
- Do not slide, climb, shake or play on base and/or pole.
- After assembly is complete, fill system completely with water or sand and stake to the ground. Never leave system in an upright position without filling base with weight, as system may tip over causing injuries.
- When adjusting height or moving system, keep hands and fingers away from moving parts.
- Do not allow children to move or adjust system.
- During play, do not wear jewelry (rings, watches, necklaces, etc.). Objects may entangle in net.
- Surface beneath the base must be smooth and free of gravel or other sharp objects. Punctures cause leakage and could cause system to tip over.
- Keep organic material away from pole base. Grass, litter, etc. could cause corrosion and/or deterioration.
- Check pole system for signs of corrosion (rust, pitting, chipping) and repaint with exterior enamel paint if rust has penetrated through the steel anywhere, replace pole immediately.
- Check system before each use for proper ballast, loose hardware, excessive wear and signs corrosion and repair before use.
- Check system before each use for instability.
- Do not use system during windy and/or severe weather conditions; system may tip over. Place system in the storage position and/or in an area protected from the wind and free from personal property and/or overhead wires.
- Never play on damaged equipment.
- See instruction manual for proper installation and maintenance.
- When moving system, use caution to keep mechanism from shifting.
- Keep pole top covered with cap at all times.
- Do not allow water in tank to freeze. During sub-freezing weather add non-toxic antifreeze, sand or empty tank completely and store. (Do not use salt)
- Use extreme caution if placing system on sloped surface. System may tip over more easily.

HUFFY SPORTS

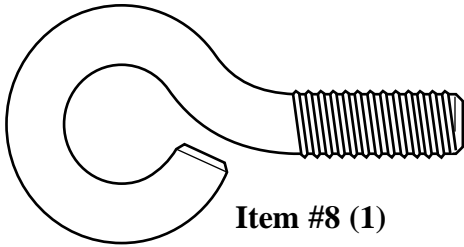
In the U.S.: 1-800-558-5234 and Canada: 1-800-264-8339

201241 2/99

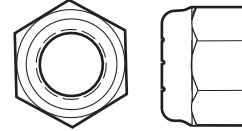
HARDWARE IDENTIFIER



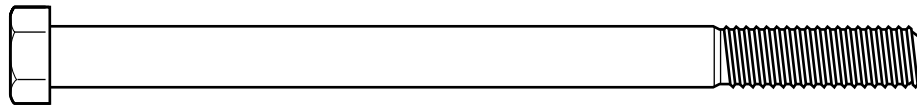
Item #7 (1)



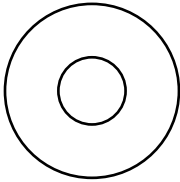
Item #8 (1)



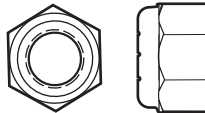
Item #10 (3)*



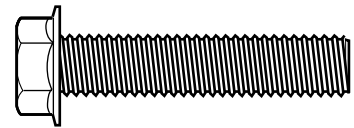
Item #12 (1)



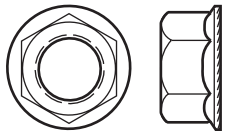
Item #13 (12)*



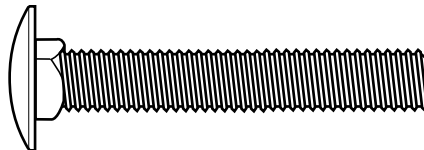
Item #14 (2)



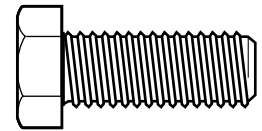
Item #16 (2)



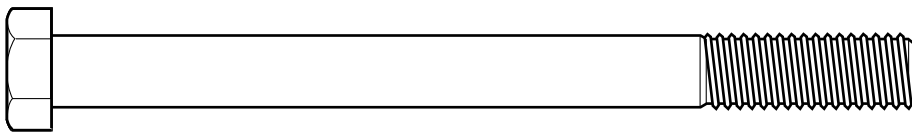
Item #17 (14)



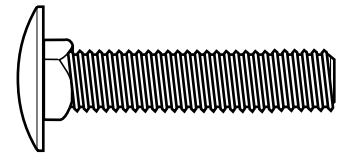
Item #18 (2)



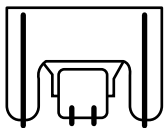
Item #21 (2)



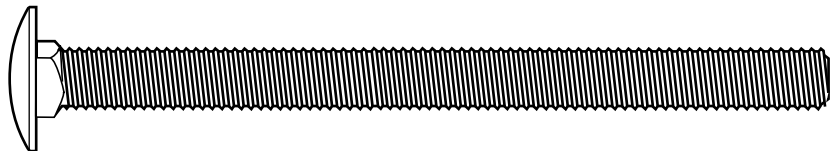
Item #26 (1)



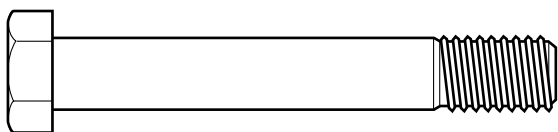
Item #30 (2)



Item #31 (12)*



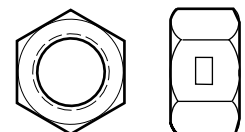
Item #34 (2)



Item #36 (2)



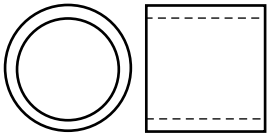
Item #37 (2)



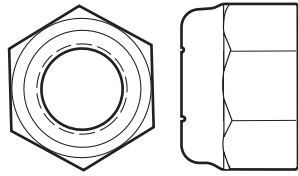
Item #38 (3)

* You may have extra parts with this model.

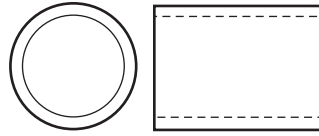
HARDWARE IDENTIFIER (continued)



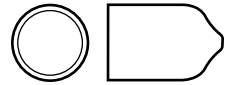
Item #39 (2)



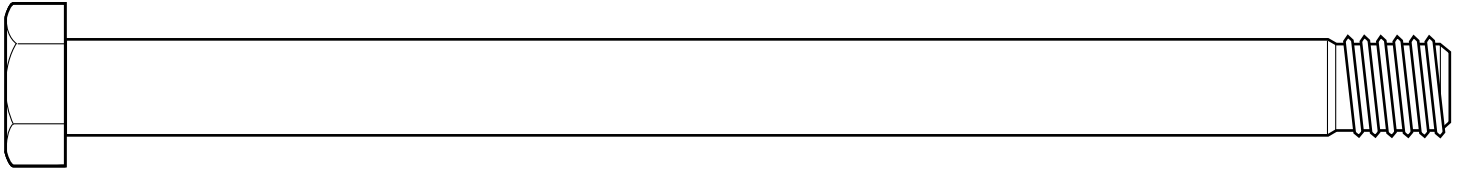
Item #40 (5)



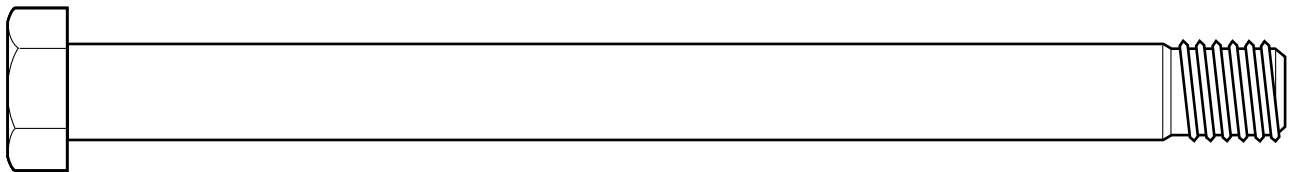
Item #43 (2)



Item #46 (1)



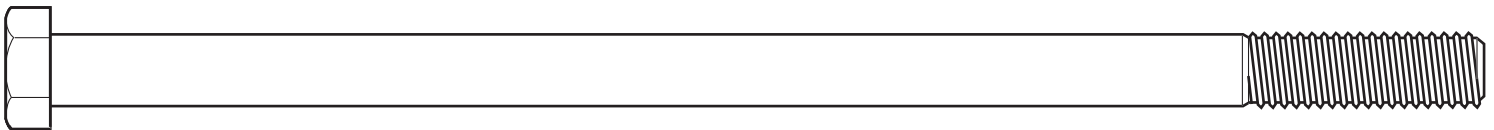
Item #41 (3)



Item #44 (2)



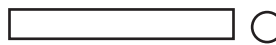
Item #49 (1)



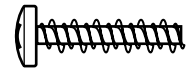
Item #50 (1)



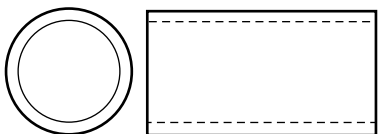
Item #52 (1)



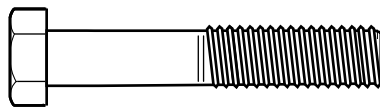
Item #53 (1)



Item #58 (9)



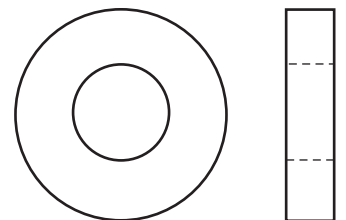
Item #59 (2)



Item #61 (1)



Item #68 (4)*



Item #69 (2)

PARTS LIST - See Hardware Identifier

<u>Item</u>	<u>Qty.</u>	<u>Part No.</u>	<u>Description</u>	<u>Item</u>	<u>Qty.</u>	<u>Part No.</u>	<u>Description</u>
1	1	206615	Tank, (Black)	35	2	900103	Bracket, Backboard Support
2	1	200628	Wheel Axle, 11-3/4 Long	36	2	206360	Bolt, Hex Head, 3/8-16 x 2.625 Long
3	4	226401	Wheel, 4 " (Black)	37	2	200874	Spacer, Steel .402 I.D. x .50 O.D. x 1.5 Long
4	1	900107	Top Pole Section	38	3	201124	Nut, 3/8-16
5	1	900106	Middle Pole Section	39	2	201642	Spacer .530 I.D. x .625 Long
6	1	900105	Bottom Pole Section	40	5	206340	Nut 1/2-13
7	1	202820	Rod, 3/8 O.D. x 4-3/4 Long	41	3	201640	Bolt 1/2-13 x 7-1/4 Long
8	1	206934	Eyebolt, 3/8-16 x 2 1/2 Long	42	2	900183	Lower Elevator Tubes - Long
9	1	206949	Pivot Bracket, Upper	43	2	201681	Spacer .530 I.D. x .63 O.D. x .875 Long
10	3*	203063	Nylon Insert Lock Nut, 3/8-16	44	2	206304	Bolt 1/2-13 x 6-5/16 Long
11	2	906206	Strut, 1" O.D. x 43 Long	45	2	900184	Upper Elevator Tubes - Short
12	1	202662	Bolt, Hex Head, 5/16-18 x 4-1/2 Long	46	1	200516	Vinyl Bolt Cover, 5/16
13	12*	203218	Washer, Flat, 3/8 I.D.	47	1	207103	Cap, Pole Top
14	2	203220	Nylon Insert Lock Nut, 5/16-18	48	1	204838	Spring, Silver
15	1	200629	Anchor, T-Strap	49	1	203112	Bolt, 5/16-18 x 6-1/2 Long
16	2	203798	Bolt, Hex Flange, 5/16-18 x 1-1/2 Long	50	1	200830	Bolt, 3/8-16 x 7-1/2 Long
17	14	203100	Nut, Hex Flange, 5/16-18	51	1	900006	Adjustment Tube
18	2	203103	Carriage Bolt, 5/16-18 x 2 Long	52	1	200214	Locking Pin
19	1	900223	Wheel Bracket	53	1	200215	Cross Pin
20	1	206948	Pivot Bracket, Lower	54	1	200211	Left Handle
21	2	206252	Bolt, Hex Head, 3/8-16 x 1 Long	55	1	200210	Right Handle
22	1	206956	Disc, 5" O.D. x 13/32 I.D., Plastic	56	1	200257	Spring
23	1	906606	Handle Bar	57	1	200212	Trigger
24	1	206940	Axle	58	9	204804	Screw, Phillips Head, 3/4 Long
25	2	206938	Push Cap	59	2	202862	Spacer .563 I.D. x 1.19 Long
26	1	203330	Bolt, Hex Head, 3/8-16 x 4-1/2 Long	60	1	908008	Adjustment Rod
27	1	204849	Handle, Front, Plastic	61	1	202739	Bolt 5/16-18 x 1-3/4 Long
28	1	204849	Handle, Back, Plastic	62	1	203124	Stake, Tie Down
29	1	206990	Reinforcement Bracket	63	2	203617	Plug Cap
30	2	203217	Carriage Bolt, 5/16-18 x 1-1/2 Long	64	1	211261	Label, Height Adjustment and Moving
31	12*	200120	Clip, Net Holder, (Red)	65	1	204281	Net
		200121	Clip, Net Holder, (Black)	66	1	204872	Label, Height Indicator
32	1		Rim	67	1	200627	Wheel Carriage
33	1	200209	Bracket, Pole Mount	68	4*	205528	Bolt, Hex Flange, 5/16-18 x 1 Long
34	2	203053	Bolt, Carriage, 5/16-18 x4 Long	69	2	201651	Spacer, Wheel Axle

WARNING: IF YOUR SYSTEM IS EQUIPPED WITH AN ACRYLIC BACKBOARD, EXAMINE BACKBOARD FOR ANY DAMAGE THAT MAY HAVE OCCURRED DURING SHIPMENT. CRACKS IN THE BACKBOARD COULD RESULT IN SUDDEN BREAKAGE. IF BACKBOARD IS DAMAGED IN ANY WAY PRIOR TO OR AFTER ASSEMBLY, CALL TOLL-FREE NUMBER FOR FREE REPLACEMENT:
U.S. 1-800-558-5234; CANADA: 1-800-284-8339; <http://www.huffysports.com>

WARRANTY CARD:

Please remember to complete your product registration form either on-line at: www.huffysports.com/warrantycard or mail-in the enclosed postcard.

INSTRUCTIONS

IMPORTANT! WRITE MODEL NUMBER FROM BOX ONTO PAGE 1 OF THIS OWNERS MANUAL



Questions or Missing Parts?

DON'T go back to store!

Call TOLL-FREE Customer Service
Number listed on the front page!

1. Remove all contents from underside of tank. Keep tank (1) bottom side up. Install wheel axle (2) through wheel carriage (67) and install wheels (3) onto wheel axle (2) with spacers (69) as shown. Secure wheel bracket as shown, a deep socket is recommended.
IMPORTANT! DO NOT OVER TIGHTEN.
 2. Correctly identify each pole section and mark indicated distance from ends with tape as shown.
 3. Align pole top and middle pole sections as shown using alignment mark and hole.
IMPORTANT! Holes in top (4) and middle pole (5) sections MUST align to correctly position elevator system toward playing surface. Bounce pole top (4) and middle section (5) together as shown until they no longer move toward taped reference mark. **NOTE:** Pole sections should have a 3-1/2" (9 cm) minimum overlap.
 4. **IMPORTANT! Holes in top (4) and bottom pole (6) sections MUST align to correctly position elevator system toward playing surface.** Add bottom pole section (6) to assembly as shown using alignment mark and hole, and bounce until completely tight. **Once assembled, pole sections CAN NOT be separated!** **NOTE:** Pole sections should have a 3-1/2" (9 cm) minimum overlap.
 5. Install rod (7) through holes in bottom pole section (6) and eyebolt (8).
 6. Insert pole assembly into tank assembly as shown. Secure pole assembly with upper pivot bracket (9) and lock nut (10).
 7. Secure base struts (11) to pole using bolt (12), washers (13), and nut (14), as shown. Place vinyl bolt cover (46) over exposed bolt threads. Rotate the non-secured ends of base struts (11) as shown.
 8. Secure base struts (11) to base using bolt (16), washers (13), and nut (17).
 9. Insert carriage bolts (18) into middle set of holes on wheel bracket (19) as shown.
 10. Attach lower pivot bracket (20) to wheel bracket (19) using bolt (21), washers (13), disc (22), and nut (10) as shown.
 11. Attach handle bar (23) to wheel bracket assembly using nuts (17) as shown.
 12. Install wheels (3) onto axle (24) and wheel bracket assembly with push caps (25) as shown.
 13. Attach wheel bracket assembly to base assembly using bolt (26), washers (13), and nut (10) as shown.
 14. **NOTE:** Two people recommended for this step. Carefully reposition entire assembly to upright position. Attach front of plastic handle (27) to back of plastic handle (28) around handle bar (23) using self-tapping screws (58) as shown.
IMPORTANT! Front of plastic handle (27) should face outward, away from pole assembly.
 15. Insert bolts (30) through plastic handle assembly, handle bar (23) and attach nuts (17) as shown. Tighten completely.
 16. Install net clips (21).
The Quick Clip™ rapid release net system lets the net pull away from the rim. This reduces the risk of player injury or property damage. However, improper installation or a ball making contact at an odd angle may disengage the net clip from the goal rim. Usually, the clip is reinstalled with little or no problem. We hope that you agree this inconvenience is minor when compared to the safety of the players. Quick Clip: US Patent No. 5,792,010/5,795,253
The two outer hooks on net clip must face towards inside of goal rim. Insert larger hole in net clip onto rim stud, push down on net clip, then slide net clip right, locking or snapping securely into position (clips must "snap" into place to insure a secure fit).
NOTE: Net clips should not slide with ease. It is very important that the net clips are in the locked position before going on to next step.
- ⚠ WARNING: USE OF THIS PRODUCT WITHOUT PROPER INSTALLATION OF NET CLIPS, OR WHEN ALL NET CLIPS ARE NOT PRESENT COULD RESULT IN BODILY HARM. BE SURE TO FOLLOW DIRECTIONS CAREFULLY.**
17. Attach elevator bracket (33) to middle pole section (5) using bolts (34), reinforcement bracket (29), and nuts (17) as shown.
 18. Attach backboard support brackets (35) to the backboard frame using bolts (36), spacers (37), and nuts (38) as shown.
 19. Attach lower elevator tubes (42) to backboard support brackets (35) using spacers (39), bolt (41), and nut (40) as shown. **NOTE:** Rim mounting nuts and bolts supplied with rim hardware. **NOTE:** DO NOT use washers here on spring return style rims.
 20. Attach upper elevator tubes (45) to backboard support brackets (35) using spacers (43), bolt (44), and nut (40) as shown.
 21. **A.** Attach upper and lower elevator tubes (45, 42) to upper pole section (4) using bolts (44, 41) and nuts (40) as shown. Attach pole cap (48) as shown.
B. Attach counterbalance spring (48) to upper elevator tubes (45) with bolt (49) and nut (14) in location shown. Stretch spring to lower elevator tubes (42) and attach with hardware (50, 10) as shown.
NOTE: Slide counterbalance spring against elevator tubes.
 22. Insert locking pin (52) into bracket on adjustment tube (51). Insert cross pin (53) through hole in bracket and locking pin (52) as shown in figure A. Fit left handle (54) onto adjustment tube (51) so the bottom of adjustment tube (51) sits on the two small ribs of the handle as shown in figure B.
 23. Insert spring (56) into back of locking pin (52) as shown. Spring (56) should rest between two small ribs at the back of the plastic handle as shown in Figure C. Insert top of trigger (57) into bracket on the adjustment tube (51) as shown. The plastic post of the handle pieces should go through the hole in bottom of trigger (57) and hold it into place as shown.
 24. Finish handle assembly by attaching right handle (55) using screws (58) as shown.
 25. Attach adjustment tube (51) to lower elevator tubes (42) using bolt (41), spacers (59), and nut (40) as shown.
 26. Insert lower adjustment rod (60) into bottom of adjustment tube (51), pull trigger to allow lower adjustment rod (60) to move about mid-way into adjustment tube (51), release trigger so the lower adjustment rod (60) locks into position midway inside adjustment tube (51). Attach lower adjustment rod (60) to elevator bracket (33) using bolt (61) and nut (14) as shown.
- ⚠ WARNING: TWO PERSON MINIMUM REQUIRED FOR THIS PROCEDURE. NOT FOLLOWING RECOMMENDATION MAY RESULT IN BODILY INJURY.**
- ⚠ WARNING: DO NOT LEAVE ASSEMBLED UNIT UNATTENDED WHEN EMPTY, MAY TIP OVER.**
27. Roll the completed assembly to the desired playing area. Insert the T-strap (15) through the slot on the back of the base as shown. Secure the unit to ground by twisting the tie down stake (62) into the ground and hooking the T-strap (15) onto the tie down stake (62). Fill tank with 33 gallons of water.
IMPORTANT! Add two gallons (7.6 Liters) of non-toxic antifreeze in sub-freezing climates.
- ⚠ WARNING: DO NOT LEAVE ASSEMBLY UNATTENDED WHEN EMPTY, MAY TIP OVER.**
28. Apply the height adjustment and moving label (64) to the front of the pole as shown.
 29. Install net (65).
IMPORTANT! Make sure net is held by all three hooks on the net clip.
 - A.** Slide net into outer hook as shown.
 - B.** Slide net into second outer hook creating a loop as shown. Push loop to back of clip.
 - C.** Pull loop up and through back of clip, snapping over the middle hook.
 - D.** Pull net down to make sure it is held securely by all three hooks.**NOTE:** If net releases during normal play, net was improperly installed. Please review instructions to install net properly.
 30. Lock elevator system into highest position (so the backboard is as high as it will go). Apply 10 ft. height indication sticker (66) to adjustment tube (51) directly below arrow on handle as shown. Move elevator system to the next position and apply the 9 1/2 ft. sticker. Repeat until all height settings have been labeled. (8-10ft.)
 31. Pull trigger (57). Move elevator system up or down to desired height, release trigger (57) to lock system into one of the five height settings.
- ⚠ WARNING: DO NOT ALLOW CHILDREN TO ADJUST HEIGHT.**

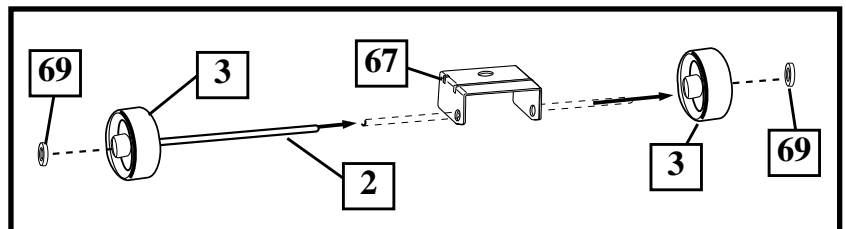
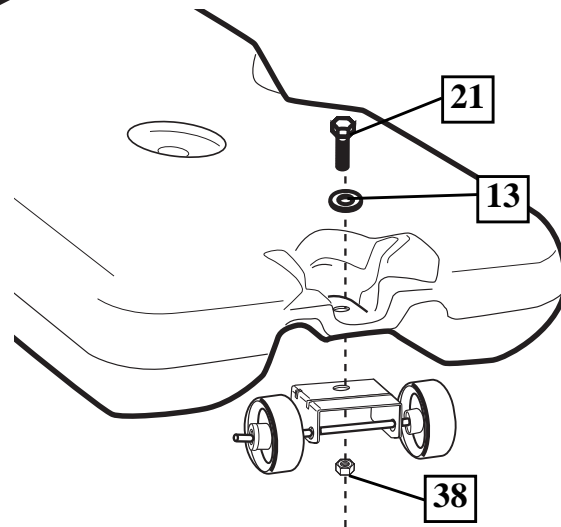
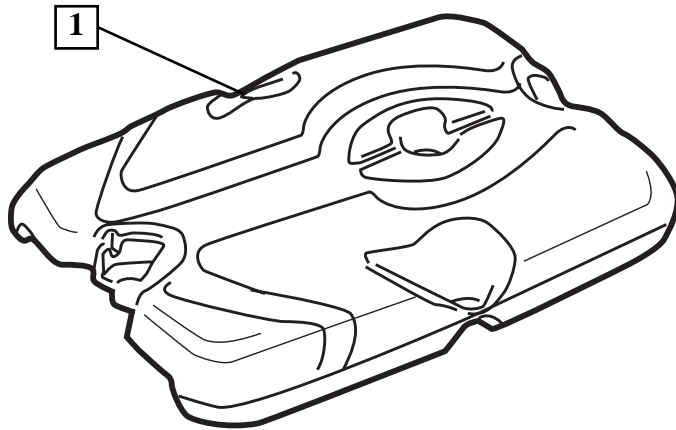


Questions or Missing Parts?

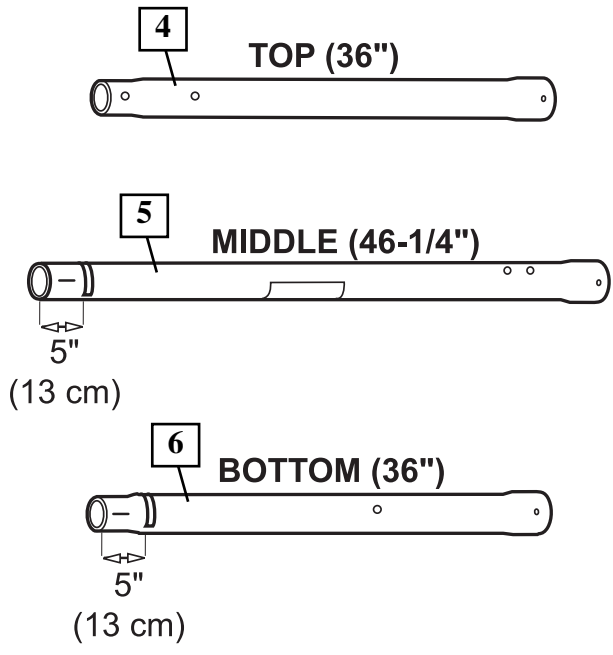
DON'T go back to store!

Call TOLL-FREE Customer Service
Number listed on the front page!

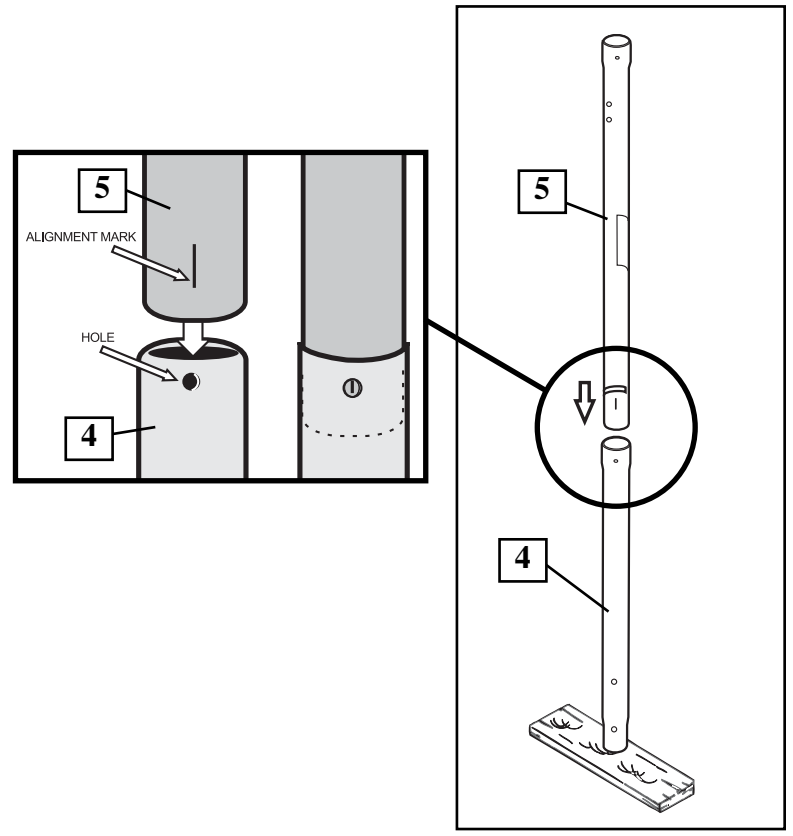
1.



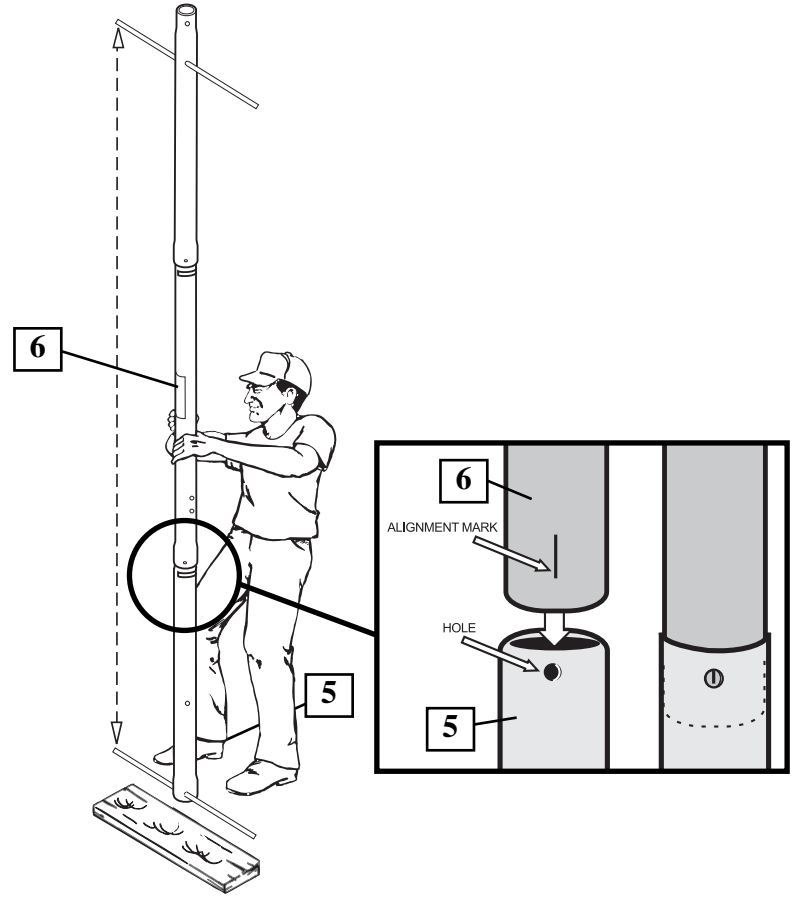
2.



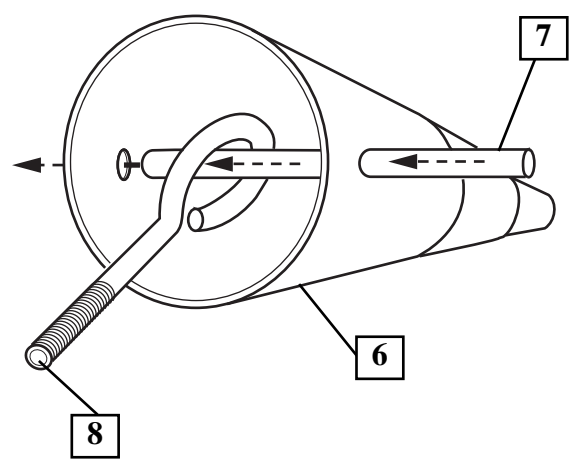
3.



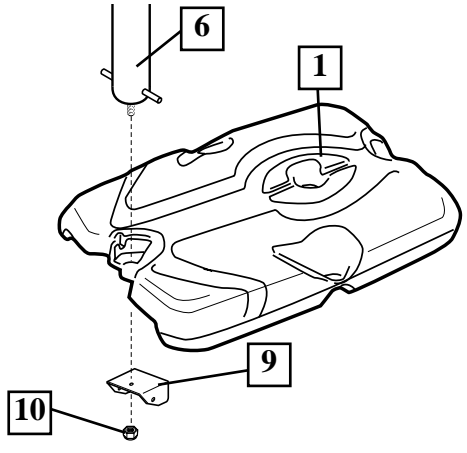
4.



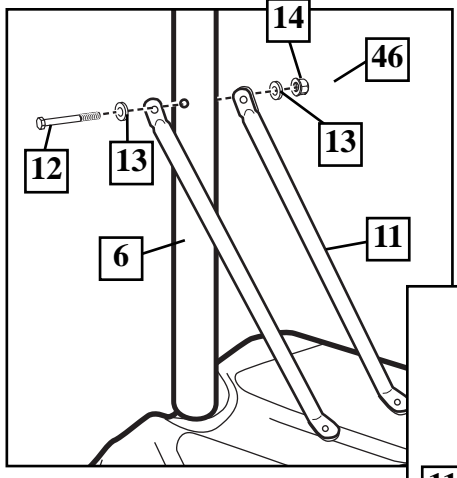
5.



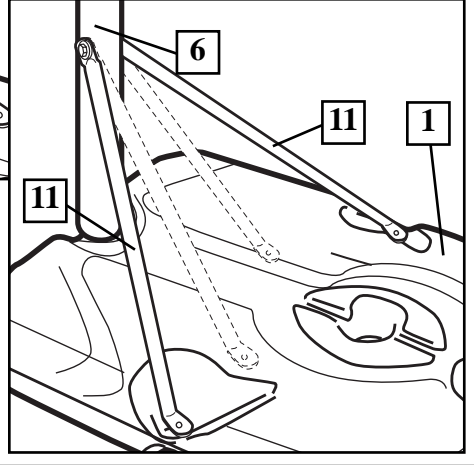
6.



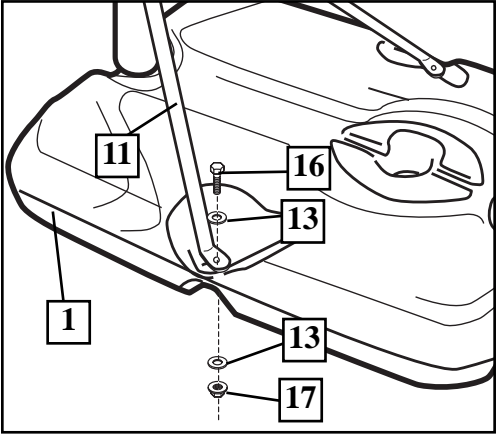
7.



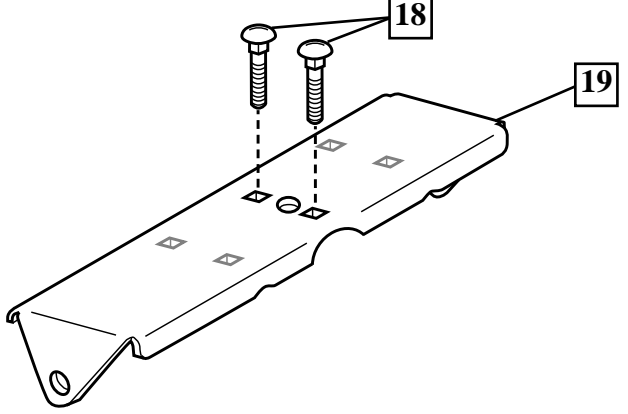
WARNING
SEE TEXT PAGE



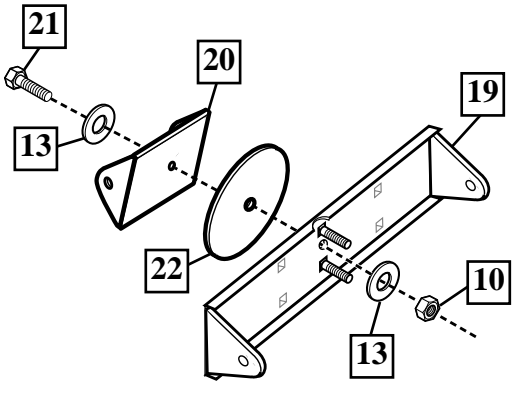
8.



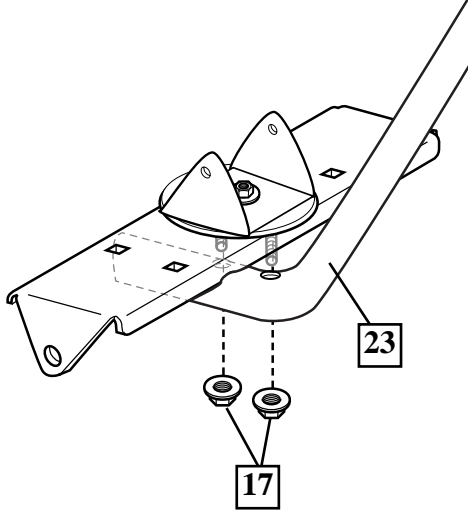
9.



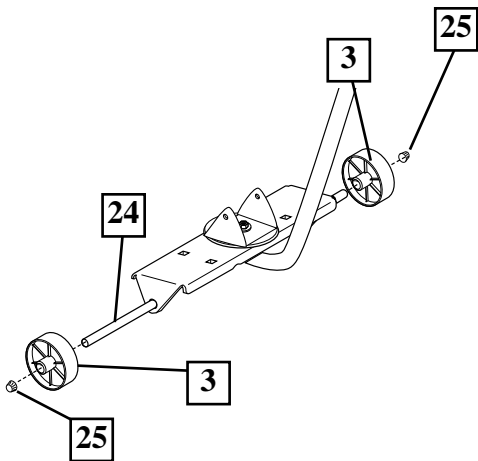
10.



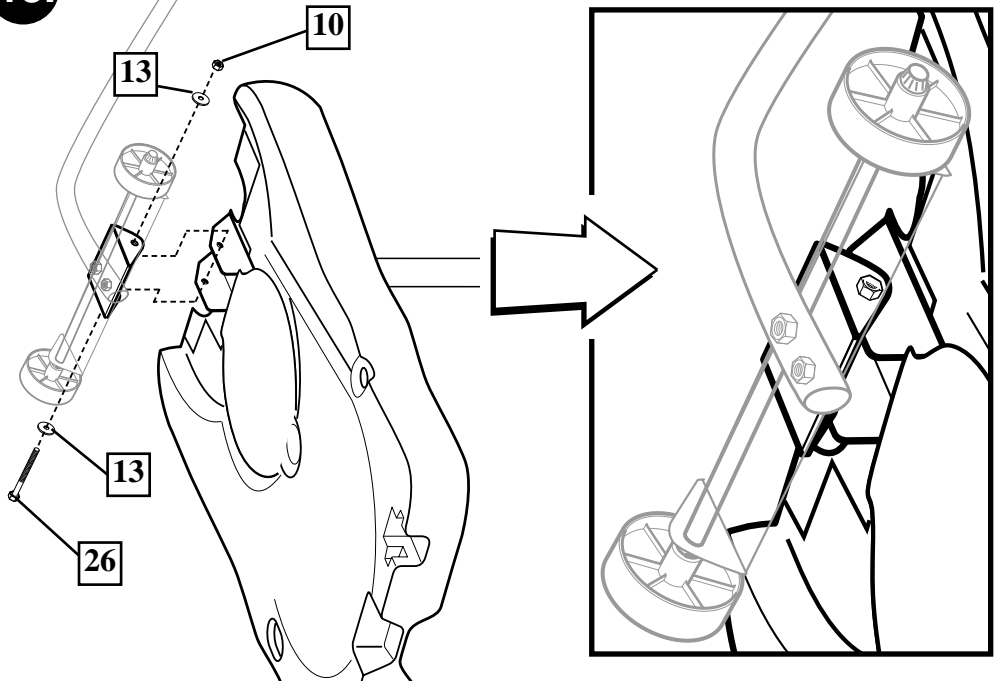
11.



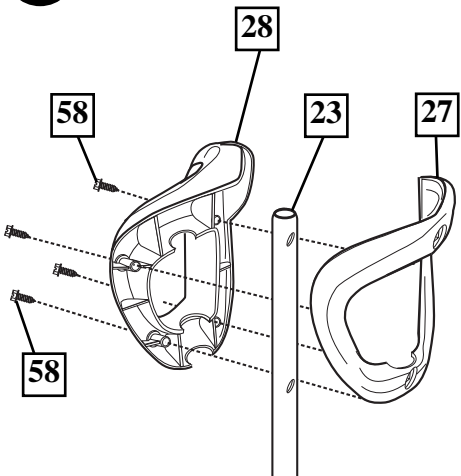
12.



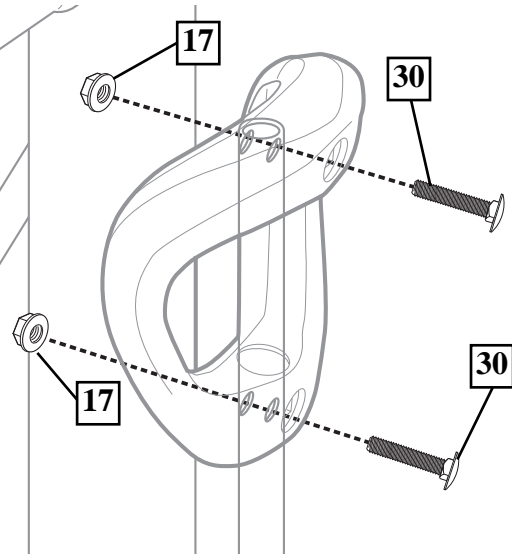
13.



14.



15.



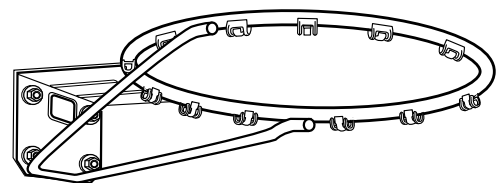
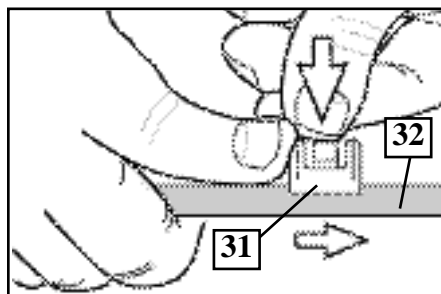
NET CLIP INSTALLATION

16.

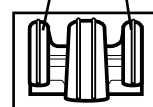
Note
(See Text Page)

WARNING
SEE TEXT PAGE

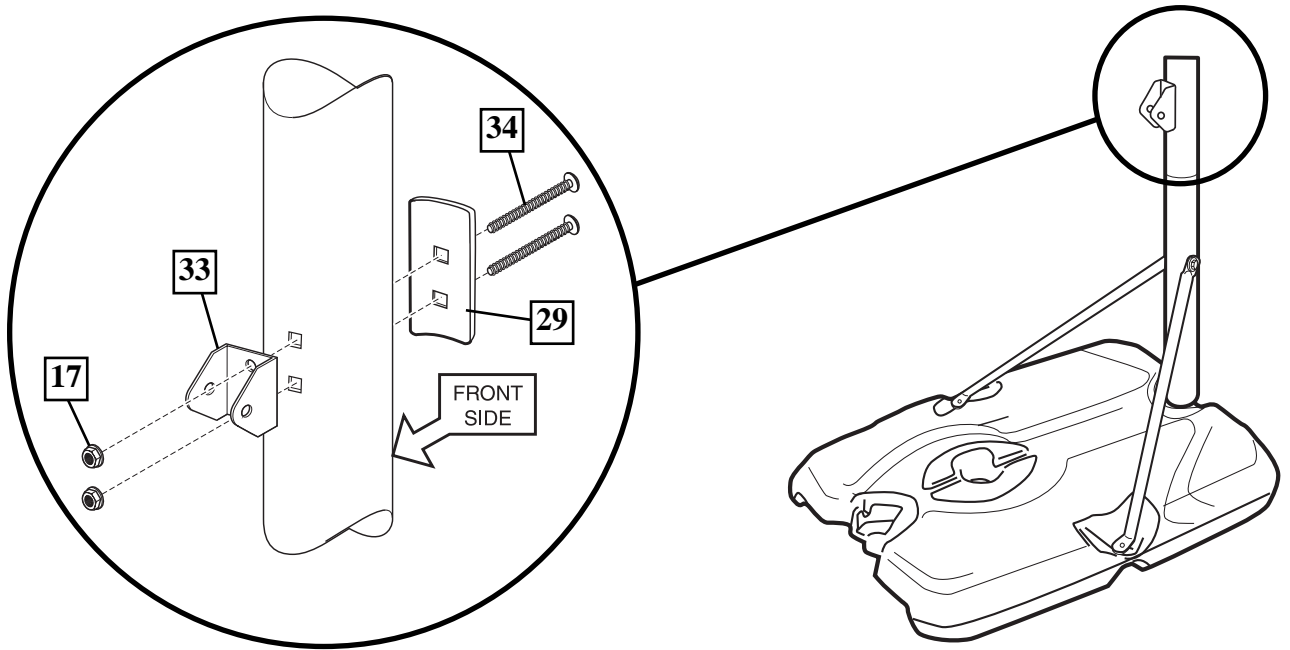
OUTSIDE VIEW



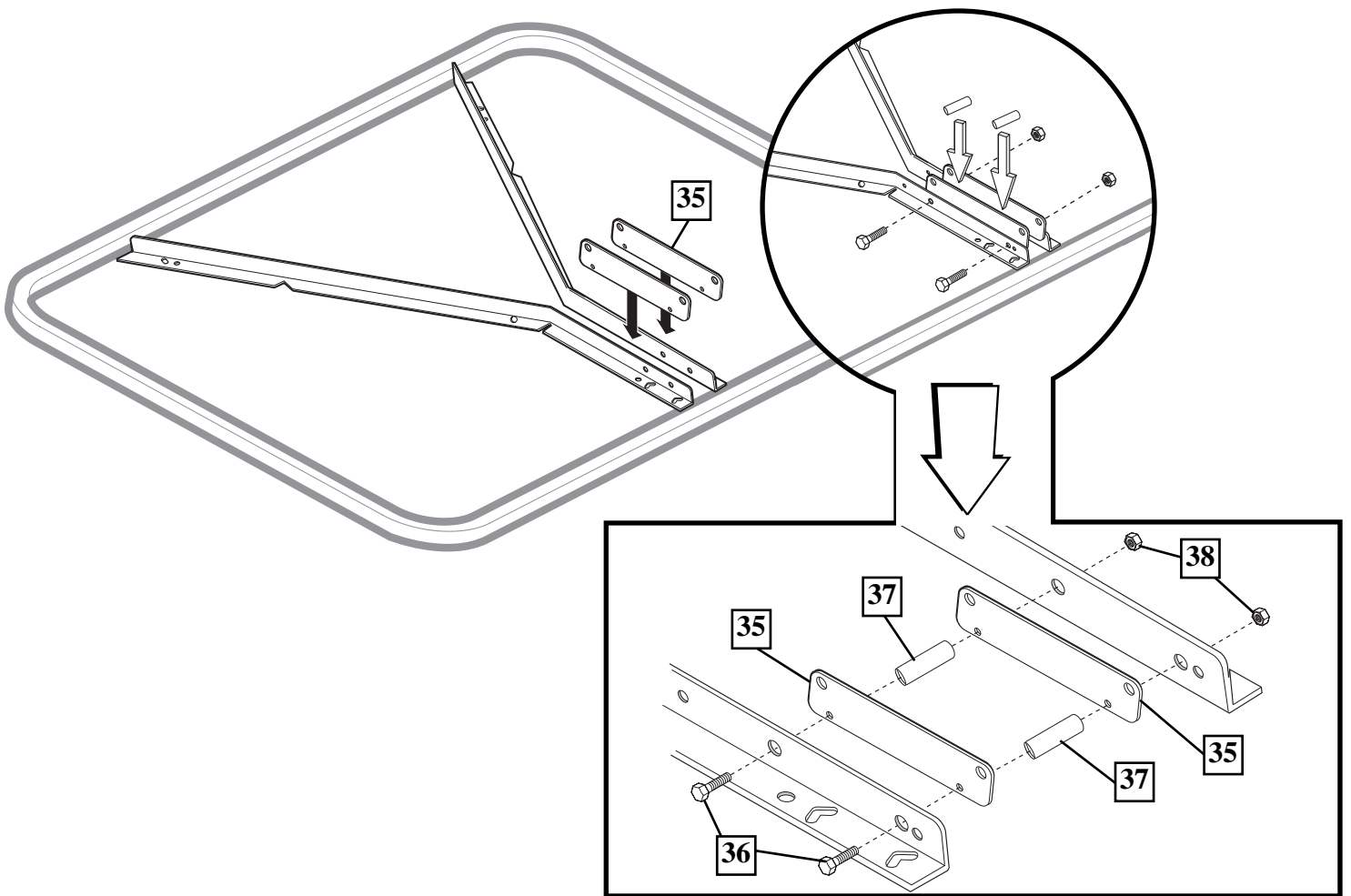
OUTER HOOKS



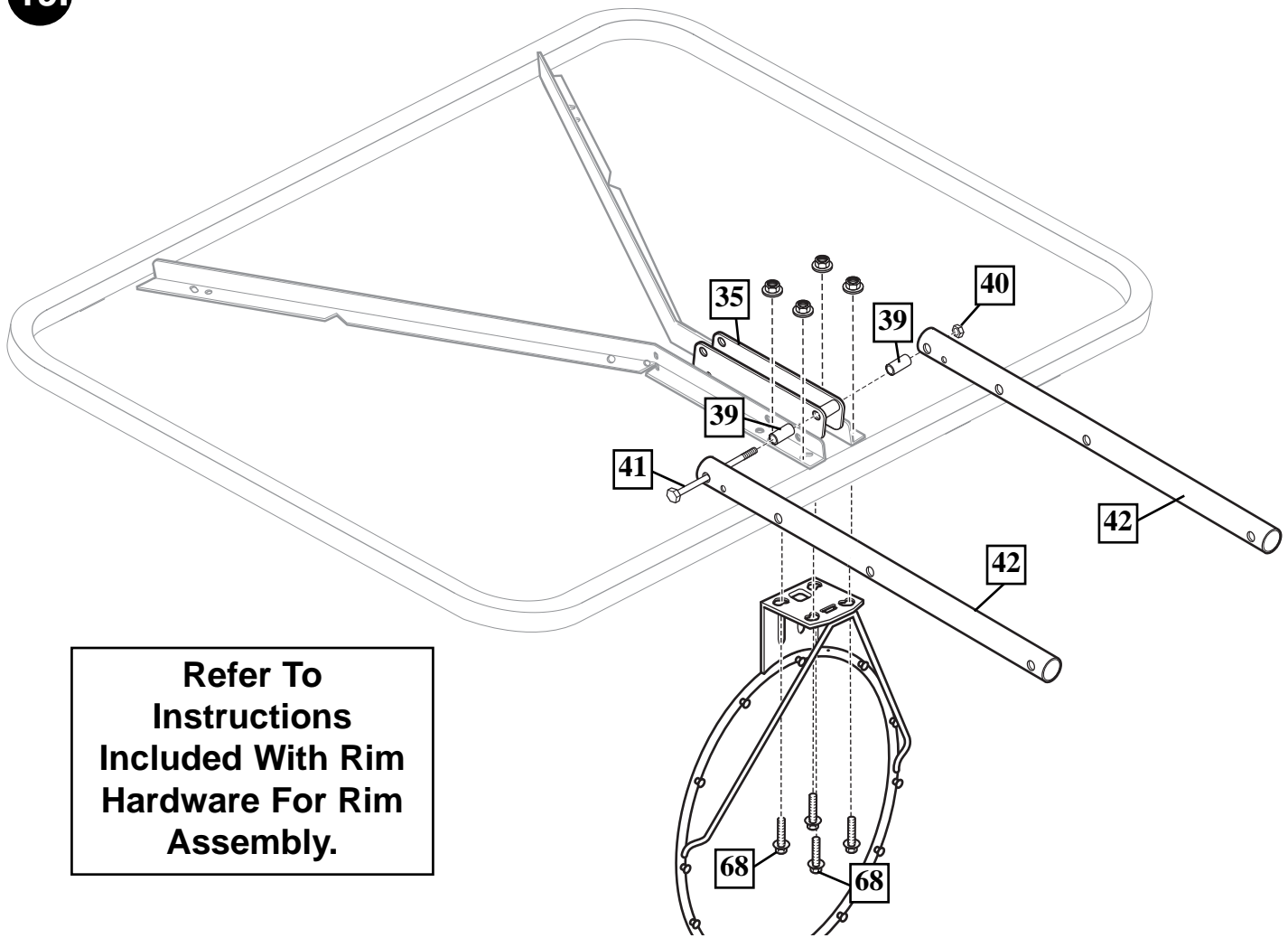
17.



18.

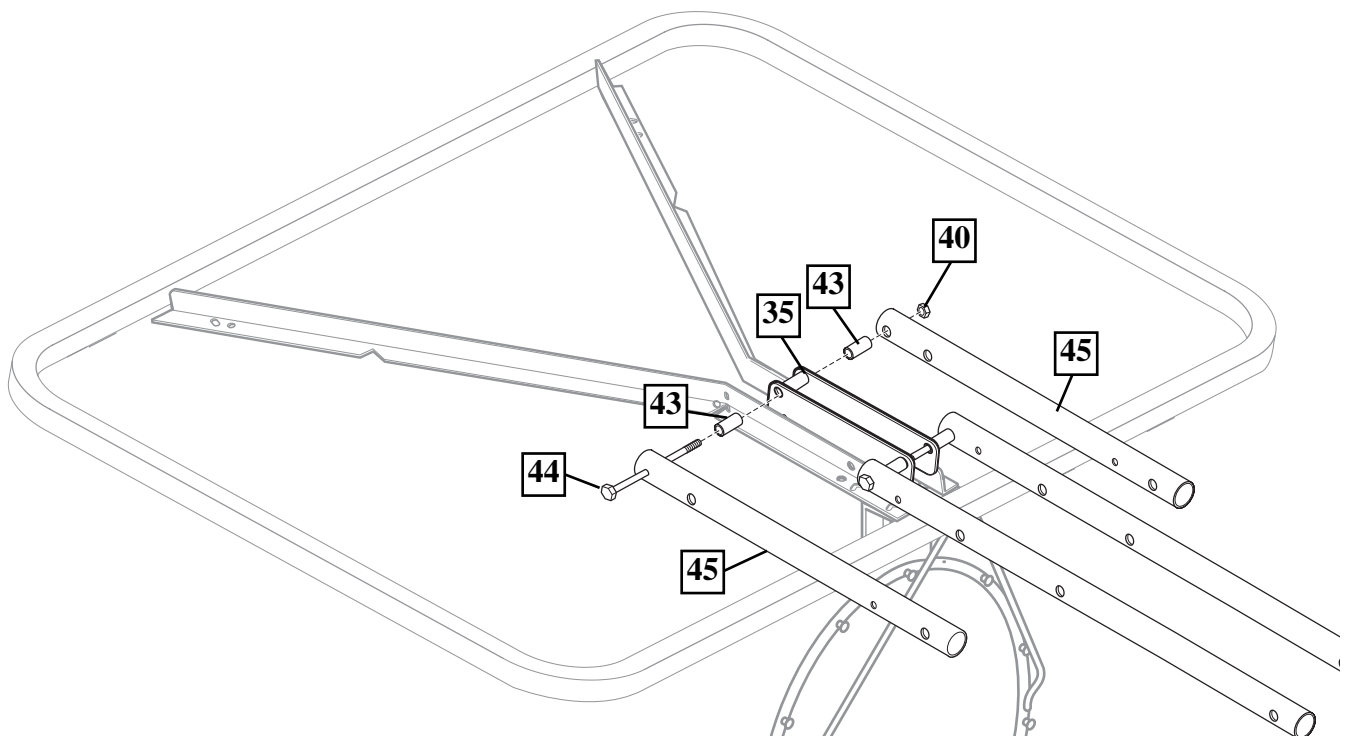


19.



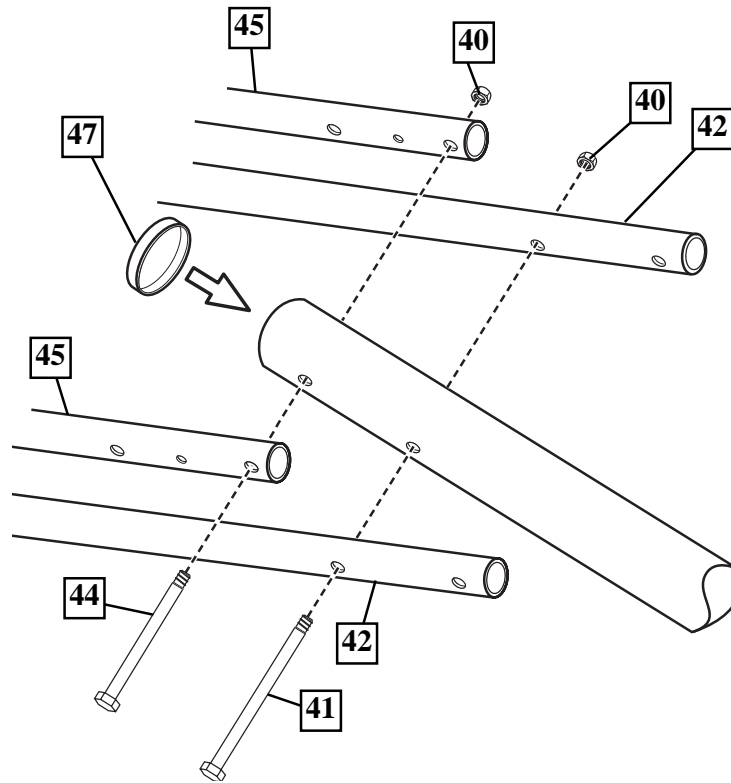
Refer To
Instructions
Included With Rim
Hardware For Rim
Assembly.

20.

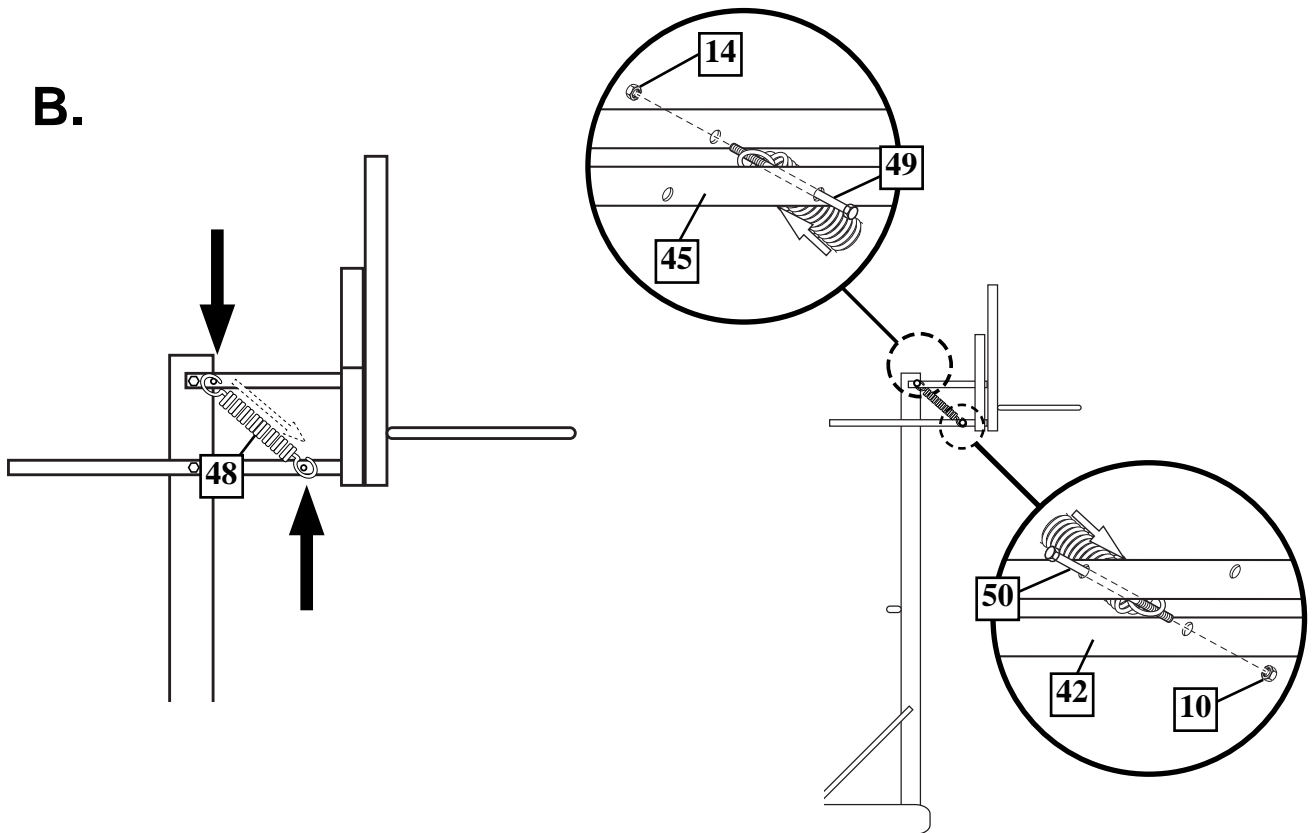


21.

A.



B.



IMPORTANT!
SEE TEXT PAGE

Fig. A

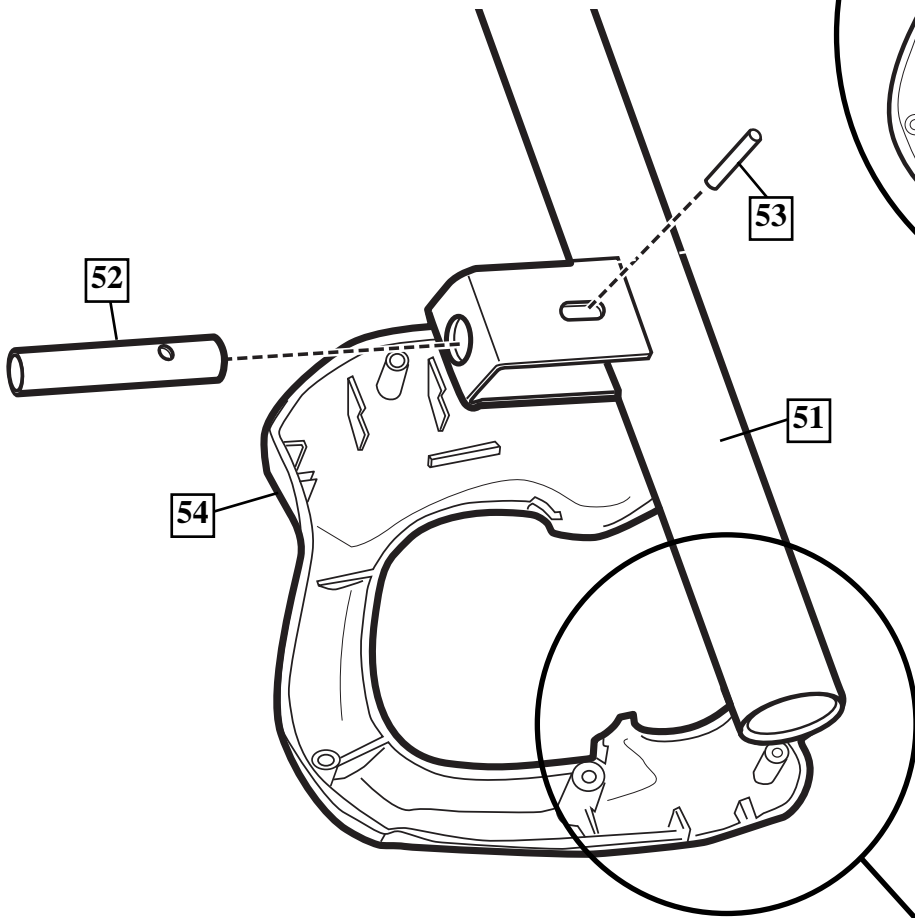
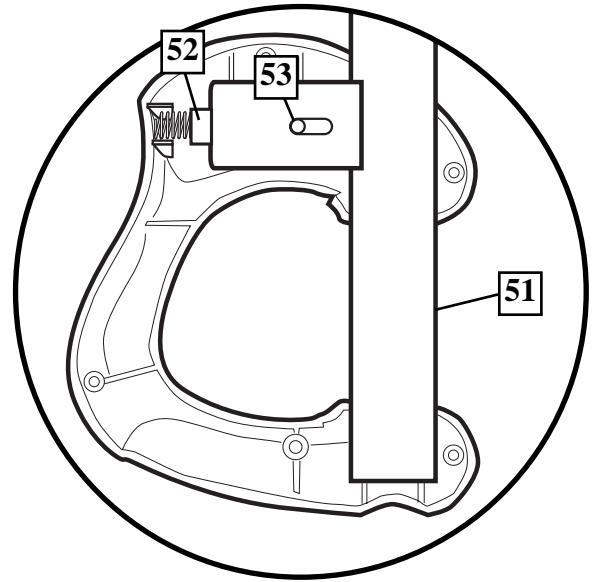
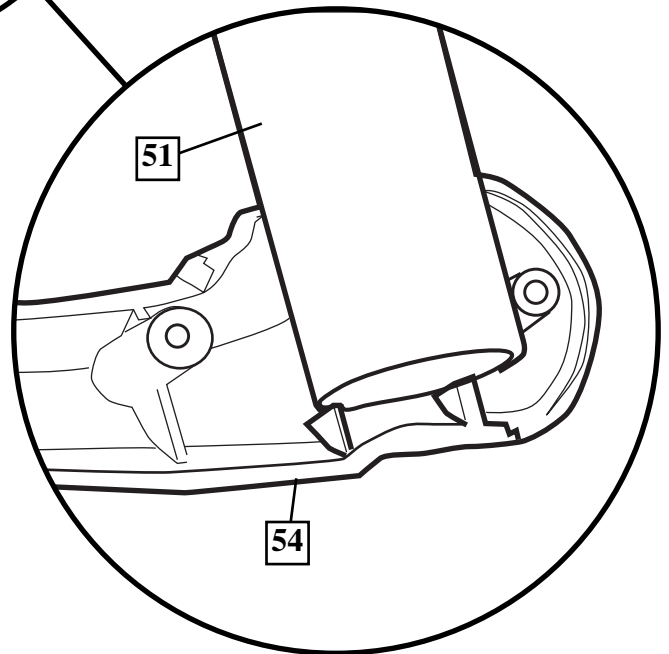


Fig. B



IMPORTANT!
SEE TEXT PAGE

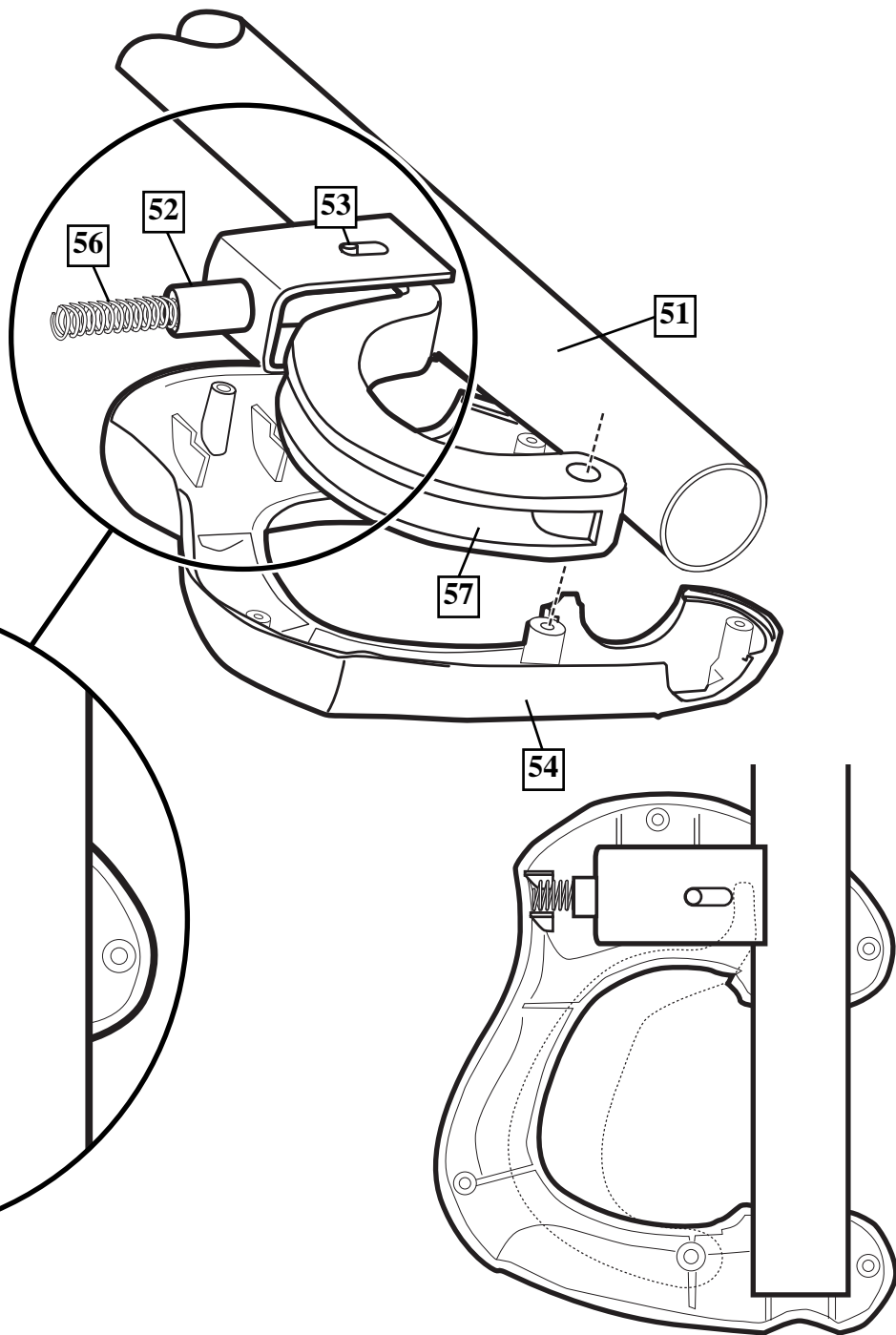
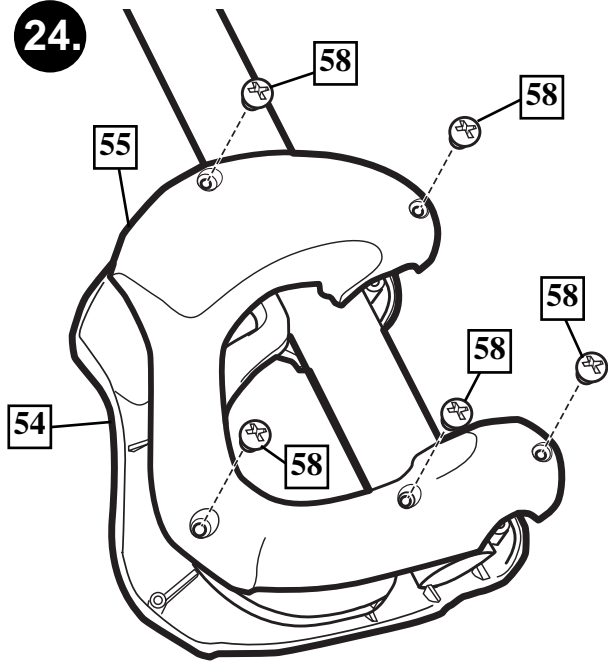
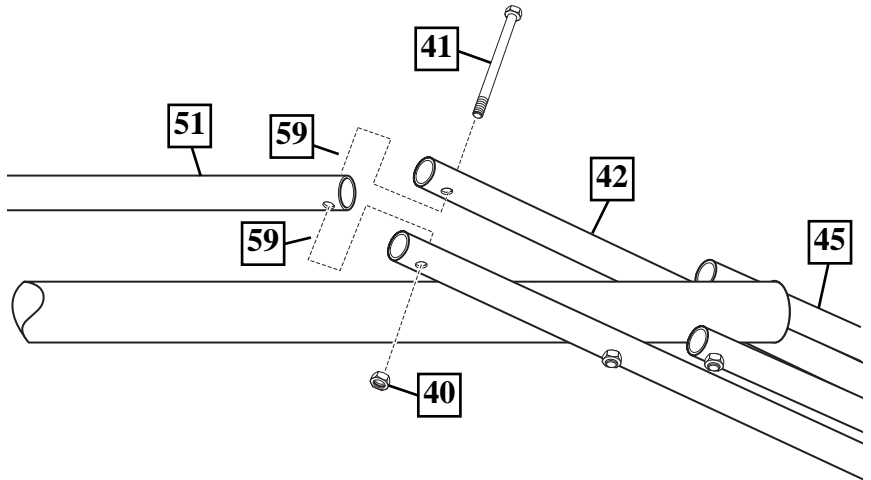


Fig. C

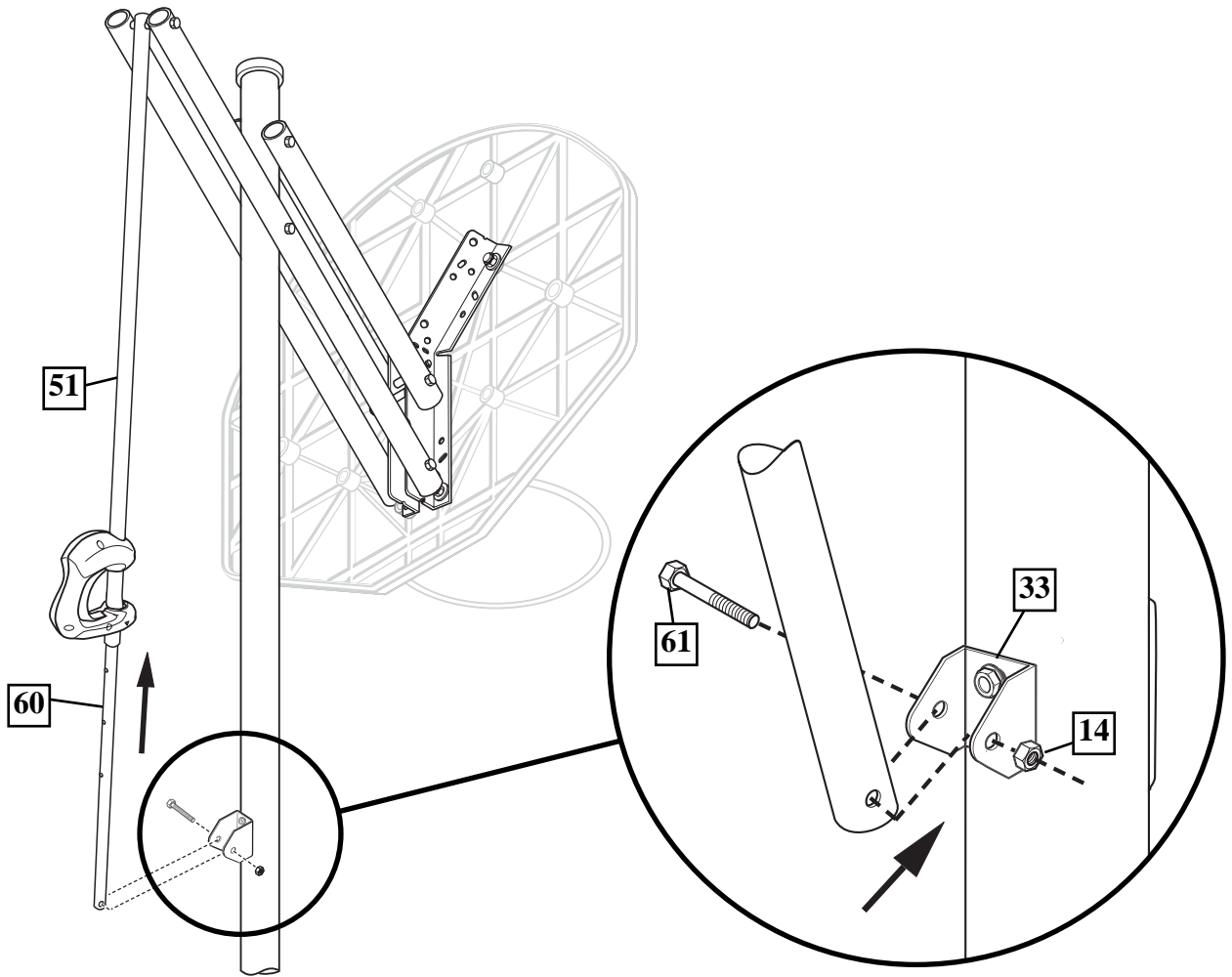
24.



25.

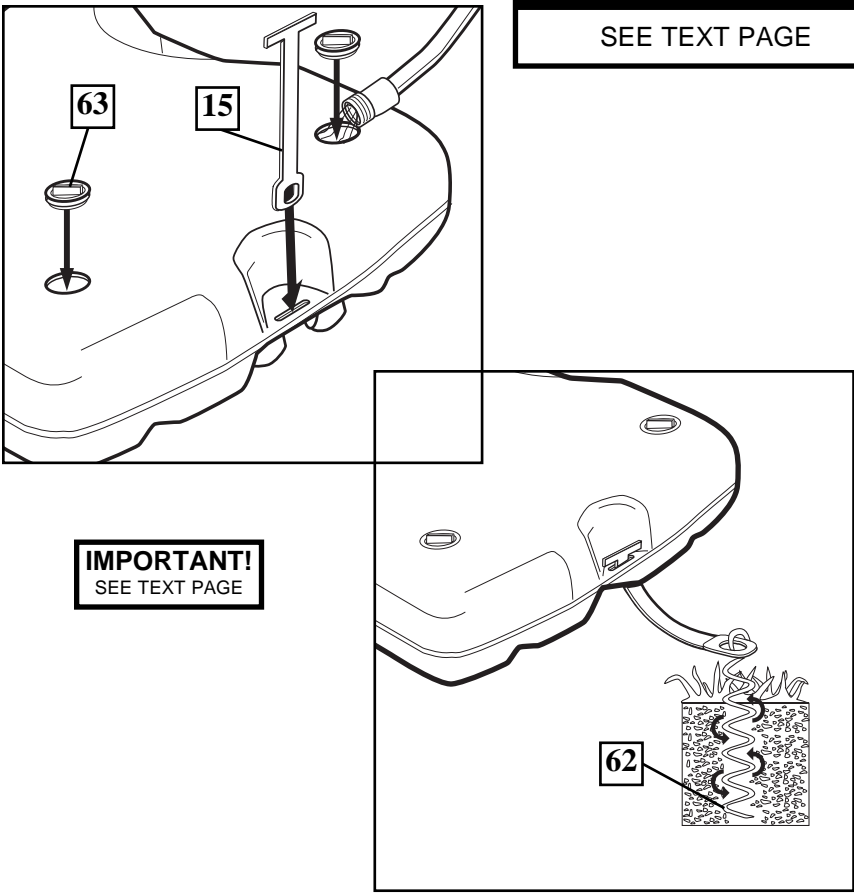


26.



27.

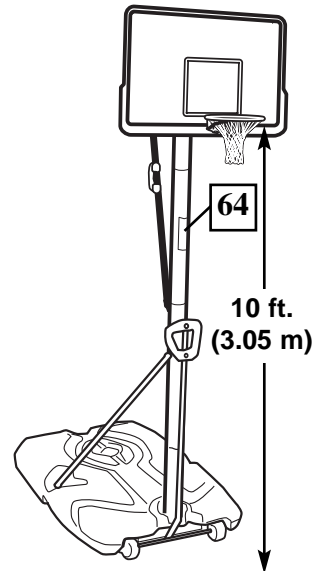
WARNING
SEE TEXT PAGE



IMPORTANT!
SEE TEXT PAGE

28.

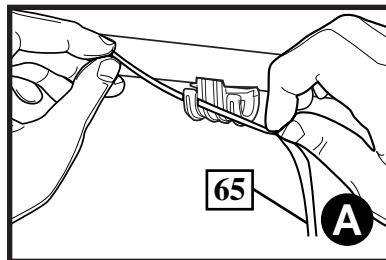
NOTE:
Peel protective film from surface of acrylic backboard prior to use.



NET INSTALLATION

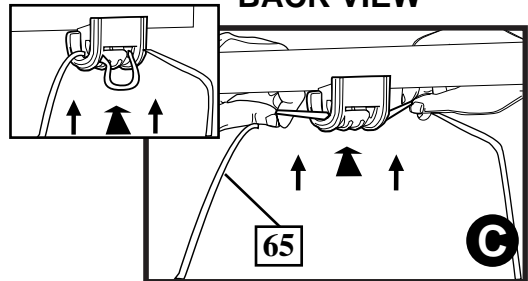
29.

FRONT VIEW

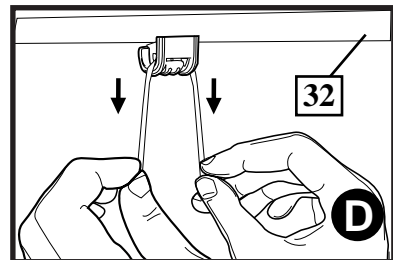
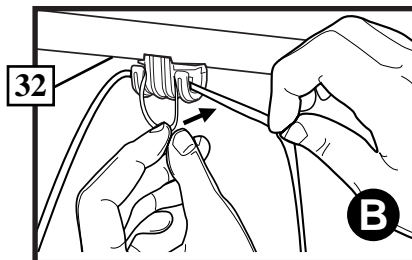


IMPORTANT!
(See Text Page)

BACK VIEW



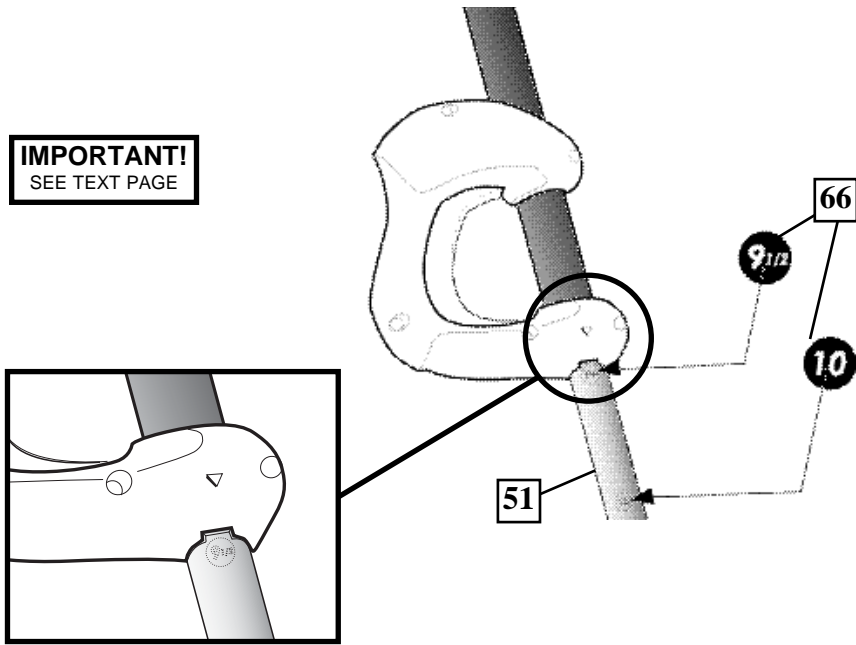
Note
(See Text Page)



HEIGHT ADJUSTMENT STICKERS

30.

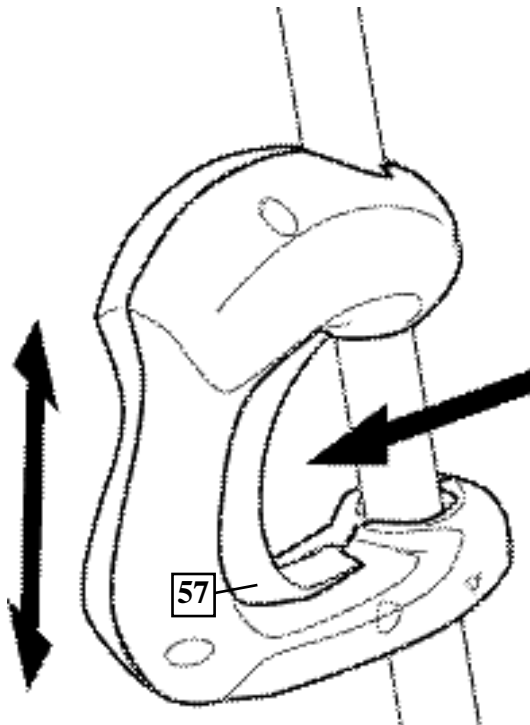
IMPORTANT!
SEE TEXT PAGE



HEIGHT ADJUSTMENT

31.

 **WARNING**
SEE TEXT PAGE



Free Manuals Download Website

<http://myh66.com>

<http://usermanuals.us>

<http://www.somanuals.com>

<http://www.4manuals.cc>

<http://www.manual-lib.com>

<http://www.404manual.com>

<http://www.luxmanual.com>

<http://aubethermostatmanual.com>

Golf course search by state

<http://golfingnear.com>

Email search by domain

<http://emailbydomain.com>

Auto manuals search

<http://auto.somanuals.com>

TV manuals search

<http://tv.somanuals.com>