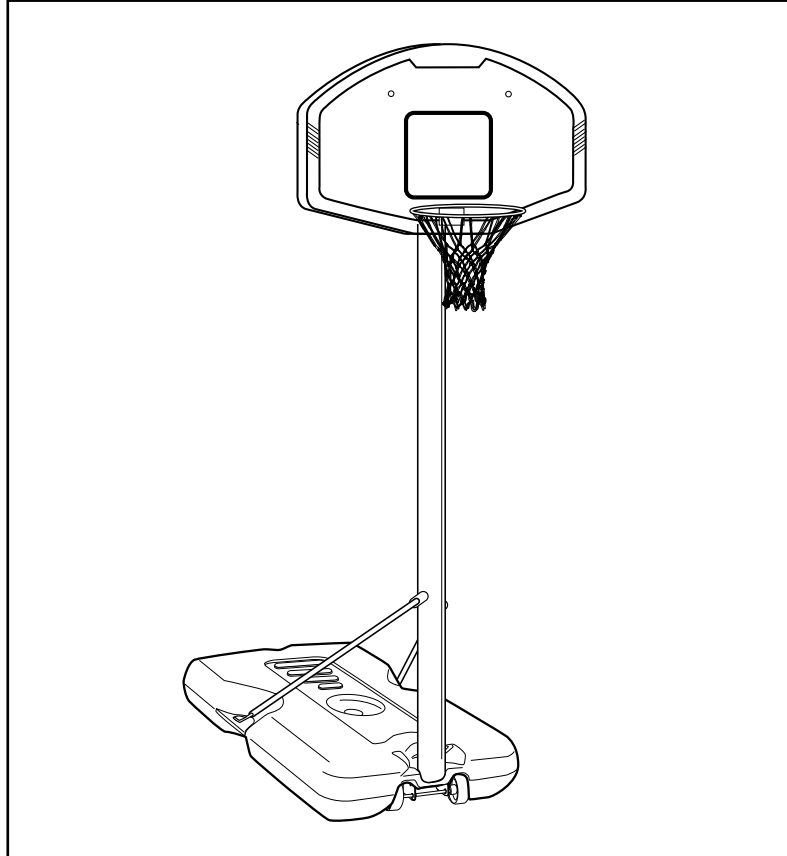


HUFFY[®]SPORTS

Portable System Owners Manual

Customer Service Center

• N53 W24700 South Corporate Circle • Sussex, WI 53089 • U.S.A.



! WARNING

Read and understand operator's manual before using this unit.

Failure to follow operating instructions could result in injury or damage to property.

REQUIRED TOOLS AND MATERIALS:

- Two People
- Wood Board (Scrap)
- Tape Measure
- Step Ladder 8 ft. (2.4 m)
- Tape
- Garden Hose or Sand 360 lb. (163 kg)
- Hammer
- Wrenches: (Two) 1/2", (One) 9/16" or Two Small Adjustable Wrenches (9/16" Deep Socket w/Extension Recommended)
- Support Table

Toll-Free Customer Service Number for U.S: **1-800-558-5234**,

For Canada: **1-800-284-8339**,

For Europe: **00 800 555 85234** (Sweden: **009 555 85234**),

For Australia: **1-800-333 061**

Internet Address: <http://www.huffysports.com>



WARNING

FAILURE TO FOLLOW THESE WARNINGS MAY RESULT IN SERIOUS INJURY AND/OR PROPERTY DAMAGE.

Owner must ensure that all players know and follow these rules for safe operation of the system.

- **DO NOT HANG** on the rim or any part of the system including backboard, support braces or net.
- During play, especially when performing dunk type activities, keep player's face away from the backboard, rim and net. Serious injury could occur if teeth/face come in contact with backboard, rim or net.
- Do not slide, climb, shake or play on base and/or pole.
- After assembly is complete, fill system completely with water or sand and stake to the ground. Never leave system in an upright position without filling base with weight, as system may tip over causing injuries.
- When adjusting height or moving system, keep hands and fingers away from moving parts.
- Do not allow children to move or adjust system.
- During play, do not wear jewelry (rings, watches, necklaces, etc.). Objects may entangle in net.
- Surface beneath the base must be smooth and free of gravel or other sharp objects. Punctures cause leakage and could cause system to tip over.
- Keep organic material away from pole base. Grass, litter, etc. could cause corrosion and/or deterioration.
- Check pole system for signs of corrosion (rust, pitting, chipping) and repaint with exterior enamel paint. If rust has penetrated through the steel anywhere, replace pole immediately.
- Check system before each use for proper ballast, loose hardware, excessive wear and signs corrosion and repair before use.
- Check system before each use for instability.
- Do not use system during windy and/or severe weather conditions; system may tip over. Place system in the storage position and/or in an area protected from the wind and free from personal property and/or overhead wires.
- Never play on damaged equipment.
- See instruction manual for proper installation and maintenance.
- When moving system, use caution to keep mechanism from shifting.
- Keep pole top covered with cap at all times.
- Do not allow water in tank to freeze. During sub-freezing weather add non-toxic antifreeze, sand or empty tank completely and store. (Do not use salt.)
- Use extreme caution if placing system on sloped surface. System may tip over more easily.

HUFFY® SPORTS

In the U.S.: 1-800-558-5234 and Canada: 1-800-284-8339

201241 2/99



SAFETY INSTRUCTIONS



FAILURE TO FOLLOW THESE SAFETY INSTRUCTIONS MAY RESULT IN SERIOUS INJURY OR PROPERTY DAMAGE AND WILL VOID WARRANTY.

Owner must ensure that all players know and follow these rules for safe operation of the system.

To ensure safety, do not attempt to assemble this system without following the instructions carefully. Check entire box and inside all packing material for parts and/or additional instruction material. Before beginning assembly, read the instructions and identify parts using the hardware identifier and parts list in this document. Proper and complete assembly, use and supervision are essential for proper operation and to reduce the risk of accident or injury. A high probability of serious injury exists if this system is not installed, maintained, and operated properly.

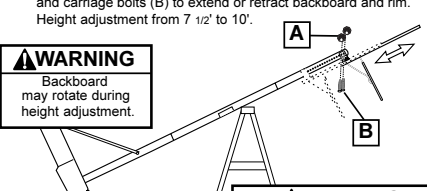
- If using a ladder during assembly, use extreme caution.
- Two (2) people are recommended for this operation.
- Check base regularly for leakage. Slow leaks could cause system to tip over unexpectedly.
- Seat the pole sections properly (if applicable). Failure to do so could allow the pole sections to separate during play and/or transport of the system.
- Climate, corrosion or misuse could result in system failure.
- Minimum operational height is 6'6" (1.98 m) to the bottom of backboard.
- This equipment is intended for home recreational use only and NOT excessive competitive play.
- Read and understand the warning label affixed to pole. Label is shown to the right.
- The life of your basketball pole depends on many conditions. The climate, placement of the pole, the location of the pole, exposure to corrosives such as pesticides, herbicides or salts are all important.
- If technical assistance is required, contact Huffy Sports.
- Adult supervision is recommended when adjusting height.

*Most injuries are caused by misuse and/or not following instructions.
Use caution when using this system.*

HEIGHT ADJUSTMENT

Rest unit on support table. Remove adjustment knobs (A) and carriage bolts (B) to extend or retract backboard and rim. Height adjustment from 7' 1/2' to 10'.

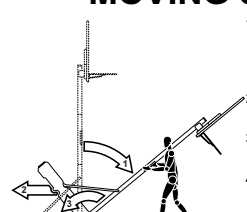
WARNING
Backboard may rotate during height adjustment.



WARNING
Do not adjust height of system in upright position. System must be in down position to adjust.

15

MOVING SYSTEM



1. While holding pole, rotate basketball system forward until wheels engage with ground.
2. Move basketball system to desired location.
3. Carefully rotate basketball system upright.
4. Reattach ground restraint and check system for stability.

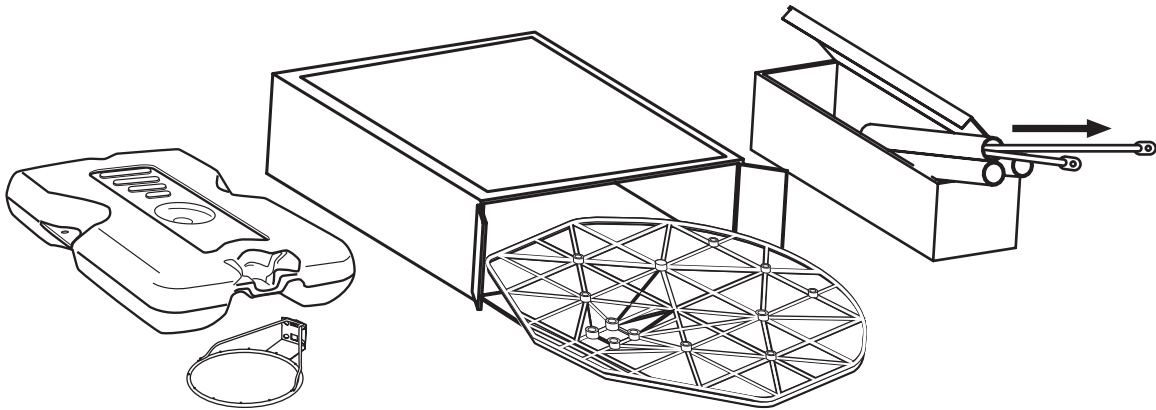
200439 11/00

 **Questions or Missing Parts?**
DON'T go back to store!
Call TOLL-FREE Customer Service
Number listed on the front page!

NOTICE TO ASSEMBLERS

ALL Huffy Sports Basketball Systems, including those used for DISPLAYS, MUST be assembled and ballasted with sand or water according to instructions. Failure to follow instructions could result in SERIOUS INJURY. It is NOT acceptable to devise a makeshift weight system.

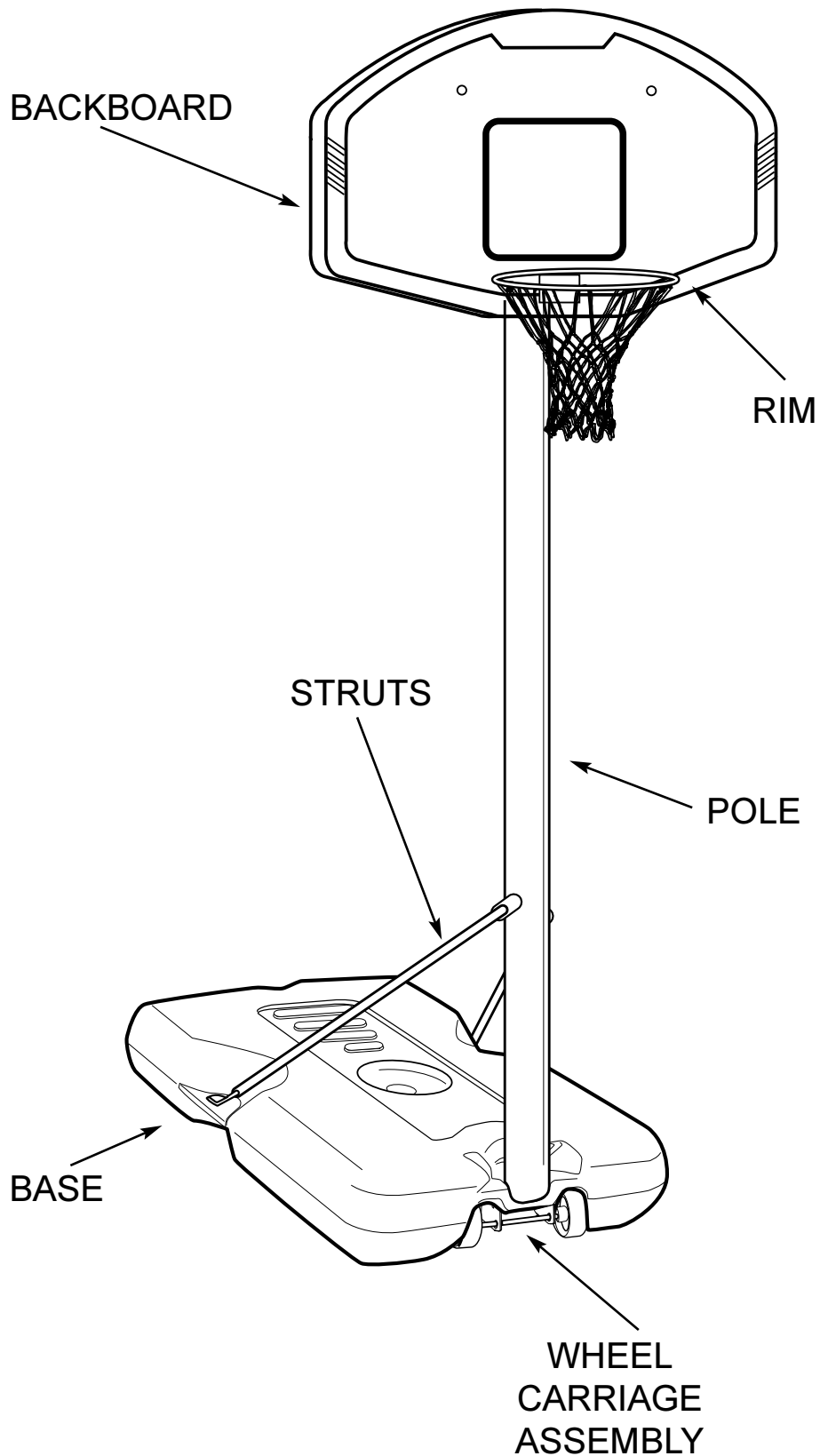
IMPORTANT!
Remove all contents from boxes.
Be sure to check inside pole sections;
hardware and additional parts are packed inside.



WARRANTY CARD:
Please remember to complete your product registration form either on-line at:
www.huffysports.com/warrantycard or
mail-in the enclosed postcard.

For more information on assembly, placement, proper use and maintenance, visit The American Basketball Council website at <http://www.smarthoops.com>.

FRONT



PARTS LIST - (See Hardware Identifier)

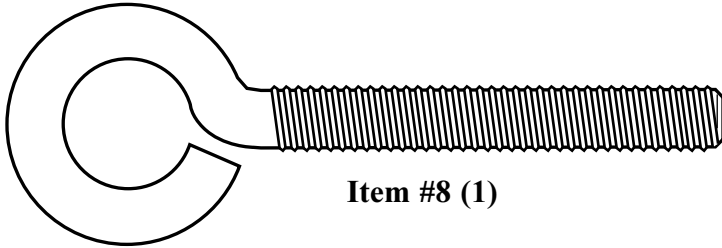
<u>Item</u>	<u>Qty.</u>	<u>Part No.</u>	<u>Description</u>
1	1	206645	Tank (Black)
2	1	200628	Wheel Axle
3	2	226401	Wheel
4	1	900060	Top Pole Section
5	1	908480	Middle Pole Section with Label
6	1	908490	Bottom Pole Section
7	1	202820	Rod, 3/8 O.D. x 4-3/4 Long
8	1	202822	Eye Bolt, 3/8 x 16 x 3-3/4 Long
9	1	200627	Wheel Bracket
10	1	203063	Lock Nut, Nylon Insert, 3/8-16
11	1	201625	Bolt, Hex Head, 5/16-18 x 3-3/4
12	6	203218	Washer, 5/16 Flat
13	2	906206	Tank Strut
14	1	203220	Lock Nut, 5/16-18
15	1	200439	Label, Moving System and Height Adjust.
16	2	203156	Bolt, Hex Head, 5/16-18 x 1 Long
17	6	203100	Nut, Hex Flange 5/16-18
18	1		Rim
19	12	201219	SmartClip, Net Holder
20	2	900057	Backboard Mounting Bracket
21	4	203309	Washer, 1 O.D.
22	4	203113	Bolt, Hex Flange, 5/16-18 x 2-1/2 Long
23	2	203231	Bolt, Carriage 5/16-18 x 3-1/2
24	2	203435	Knob, Plastic, 1-3/4 Diameter
25	1		Net
26	1	206219	Cap
27	1	203124	Tie Down Stake
28	2	201651	Spacer, Wheel Axle
29	1	200629	T-Strap
30	1	203617	Tank Cap

* YOU MAY HAVE EXTRA PARTS WITH THIS MODEL.

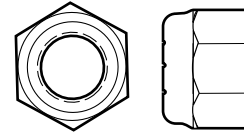
HARDWARE IDENTIFIER



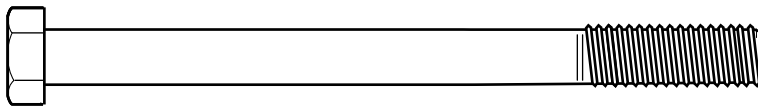
Item #7 (1)



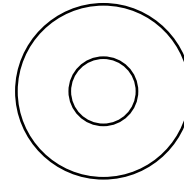
Item #8 (1)



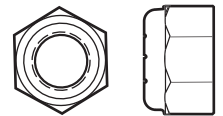
Item #10 (1)



Item #11 (1)



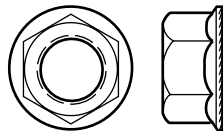
Item #12 (6)



Item #14 (1)



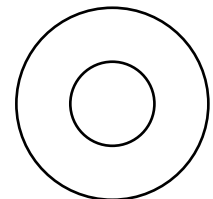
Item #16 (2)



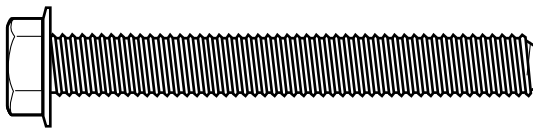
Item #17 (6)



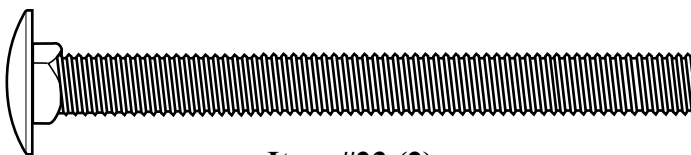
Item #19 (12)



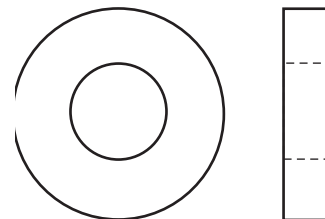
Item #21 (4)



Item #22 (4)



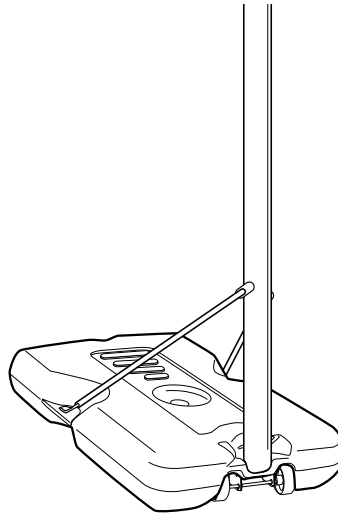
Item #23 (2)



Item #28 (2)

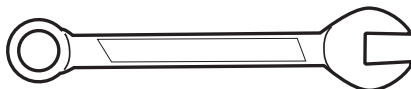
SECTION A: ASSEMBLE THE BASE

This is what your system will look like when you've finished this section:

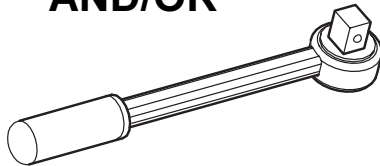


TOOLS REQUIRED FOR THIS SECTION

9/16" and 1/2"

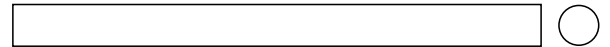


AND/OR

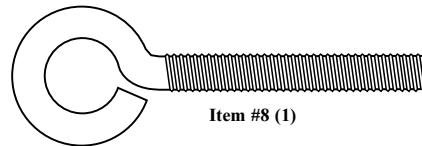


9/16" and 1/2"

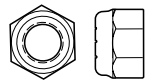
HARDWARE USED IN THIS SECTION (not actual size)



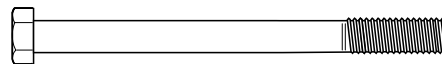
Item #7 (1)



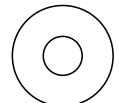
Item #8 (1)



Item #10 (1)



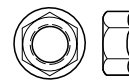
Item #11 (1)



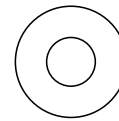
Item #12 (6)



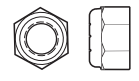
Item #16 (2)



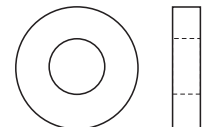
Item #17 (6)



Item #21 (4)

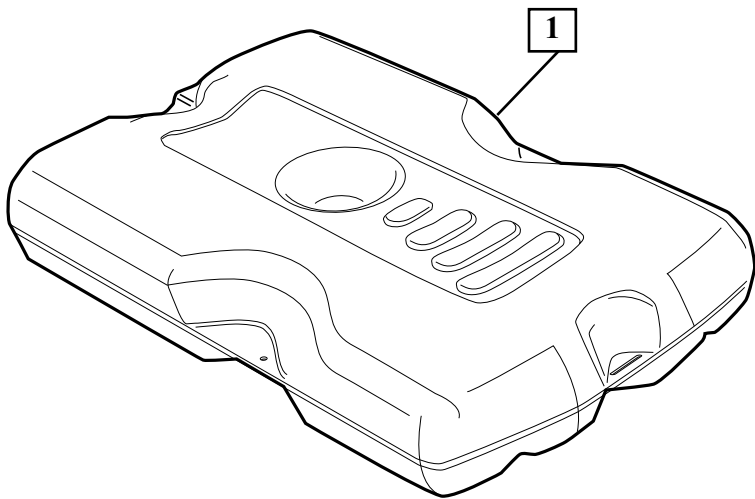


Item #14 (1)

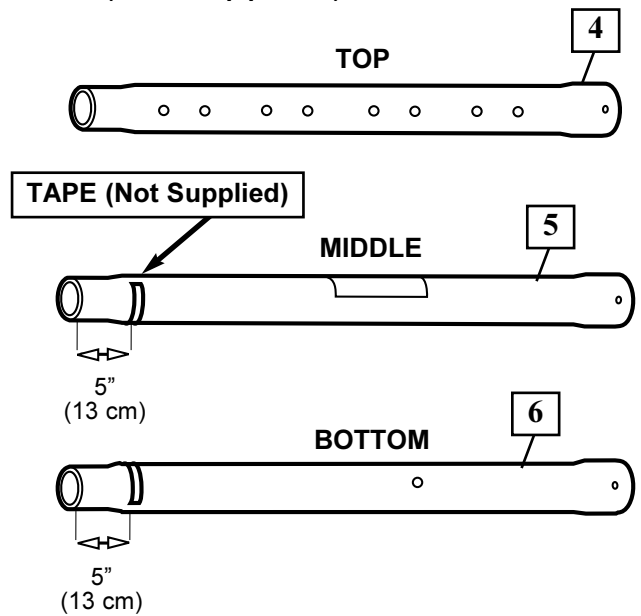


Item #28 (2)

1. Remove contents from tank

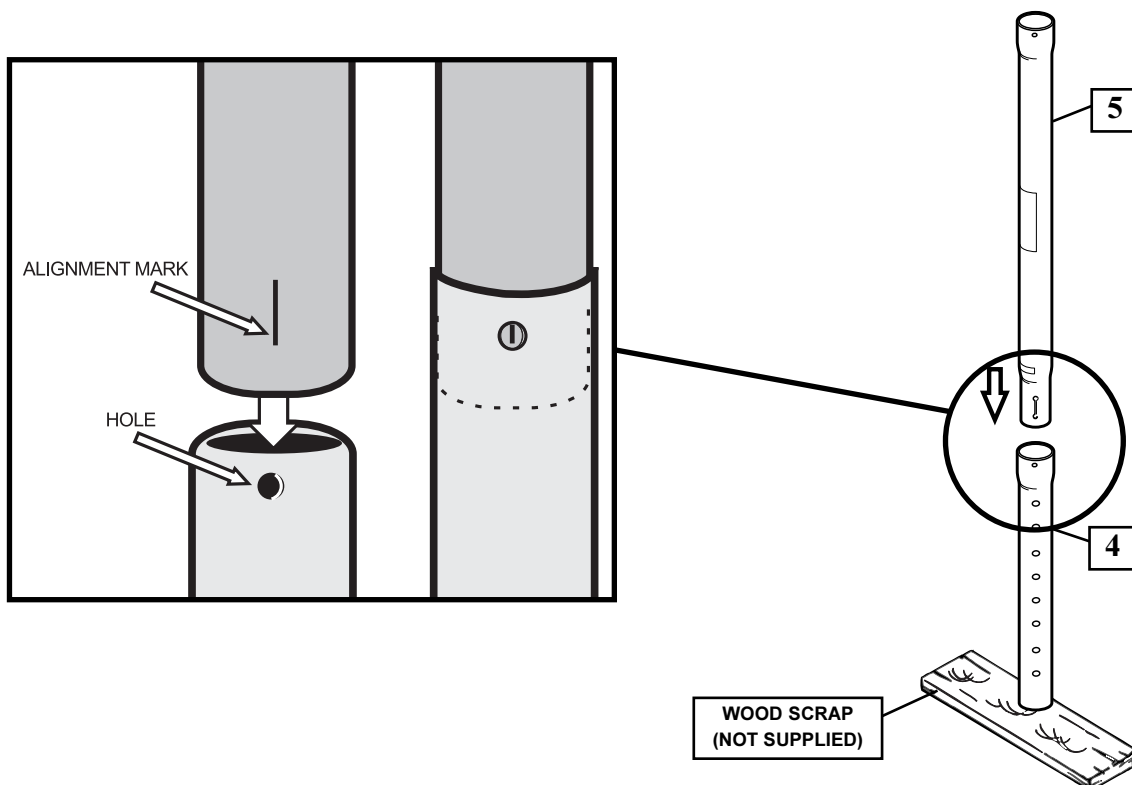


2. Correctly identify each pole section and mark indicated distance from ends with tape (not supplied) as shown.

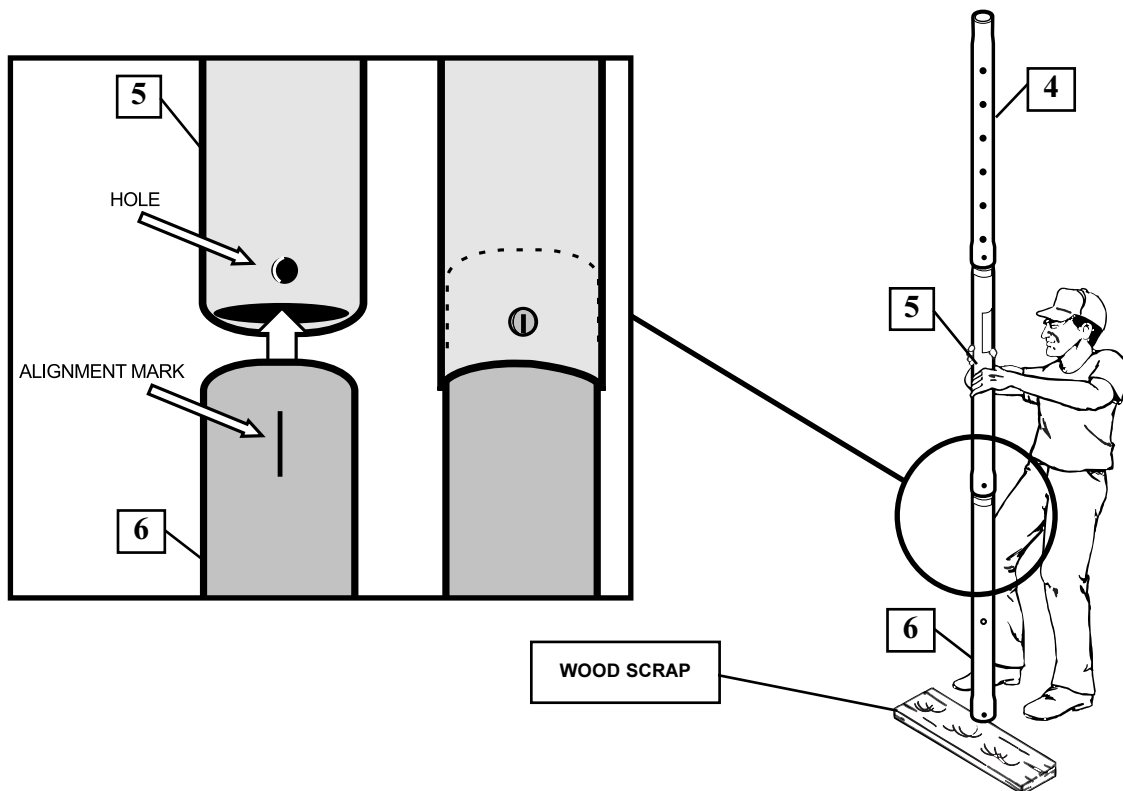


3. IMPORTANT! Center the alignment slot of middle pole section (5) in the lower hole of top pole section (4) as shown. While maintaining alignment, bounce middle section of pole (5) into top section of pole (4) using wood scrap as shown until they no longer move toward taped reference mark.

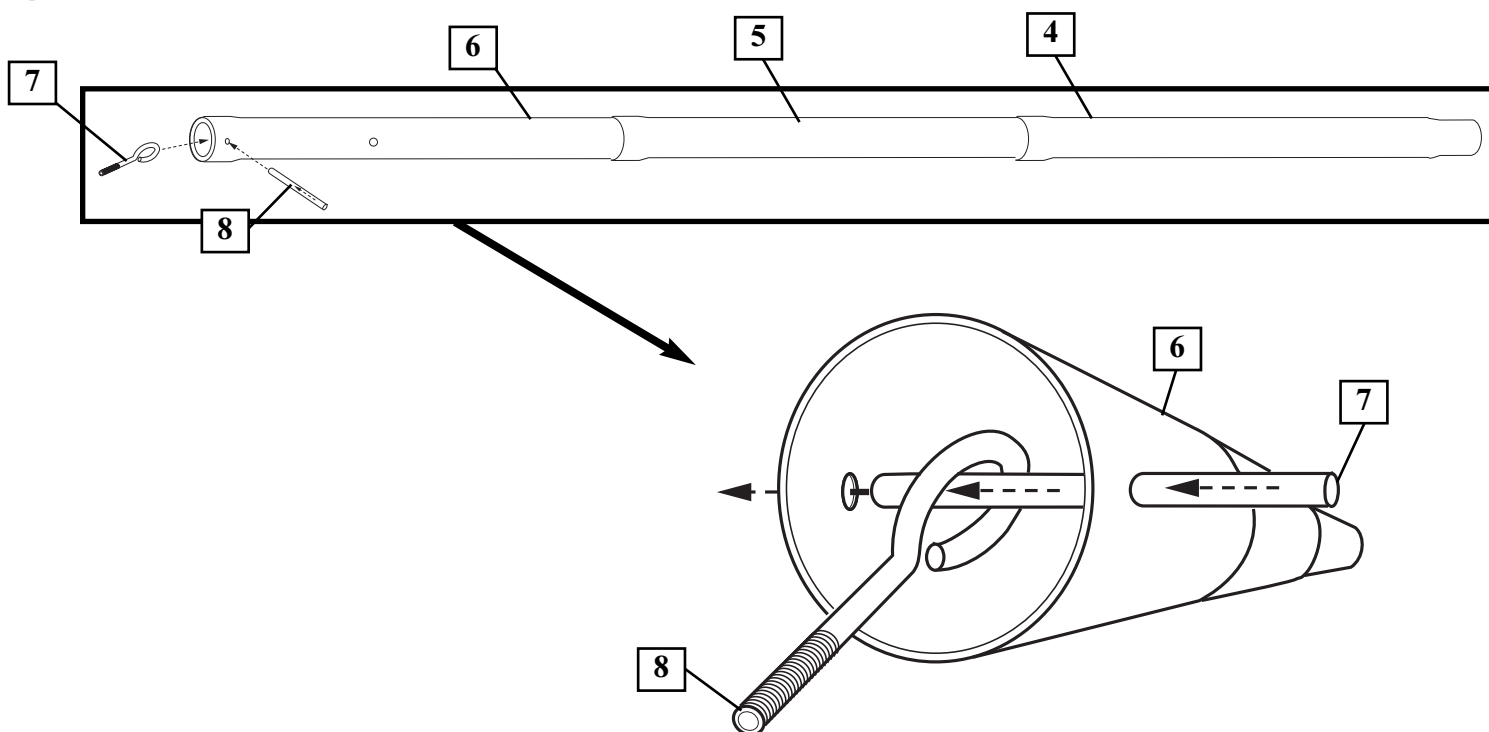
NOTE: Pole sections should have a 3-1/2" (9 cm) minimum overlap.



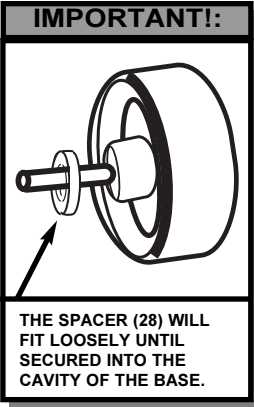
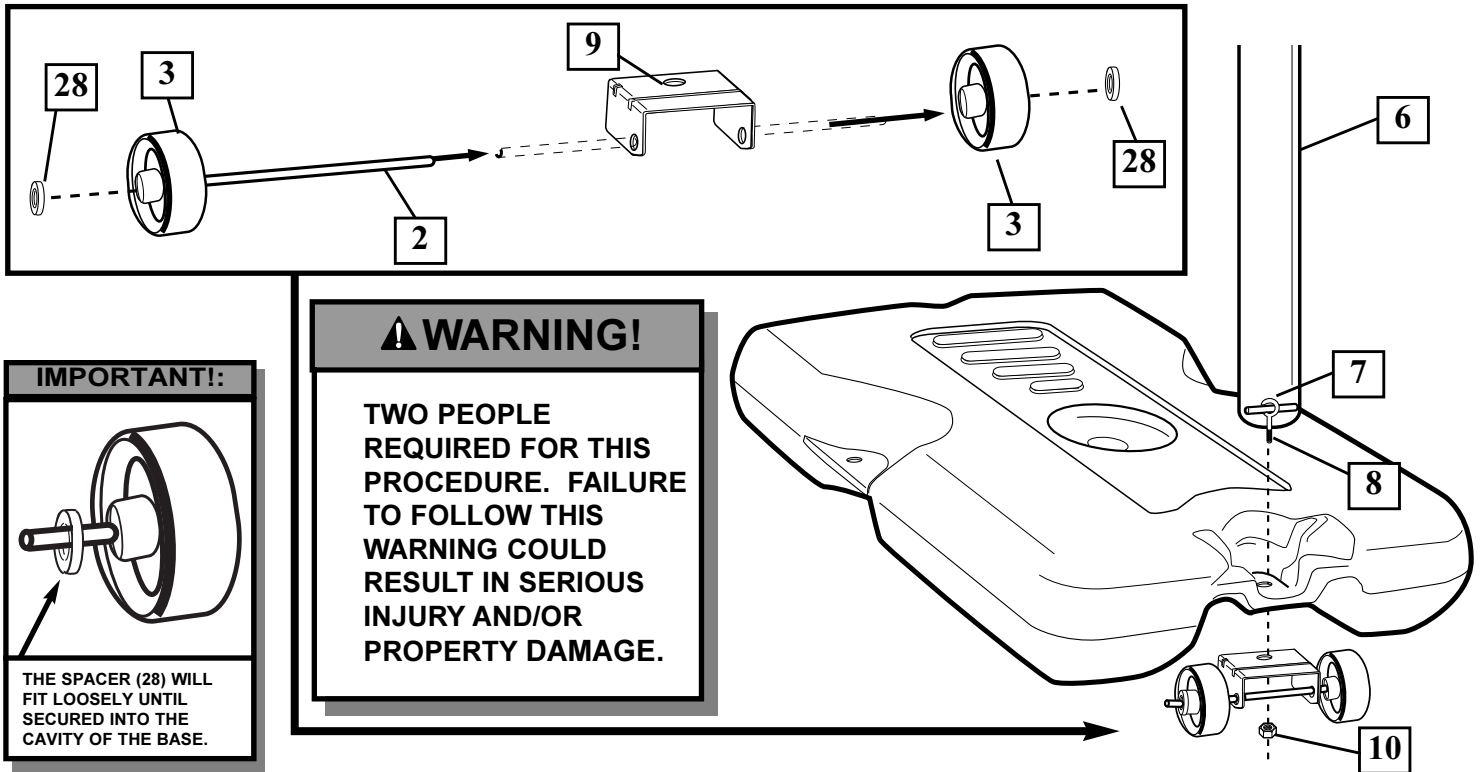
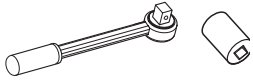
- 4. IMPORTANT! Center the alignment slot of lower pole section (6) in the lower hole of middle pole section (4) as shown. While maintaining alignment, bounce top and middle pole assembly (4 & 5) onto bottom section of pole (6) using wood scrap as shown until they no longer move toward taped reference mark.**
NOTE: Pole sections should have a 3-1/2" (9 cm) minimum overlap.



- 5. Install rod (7) through holes in bottom pole section (6) and eyebolt (8).**



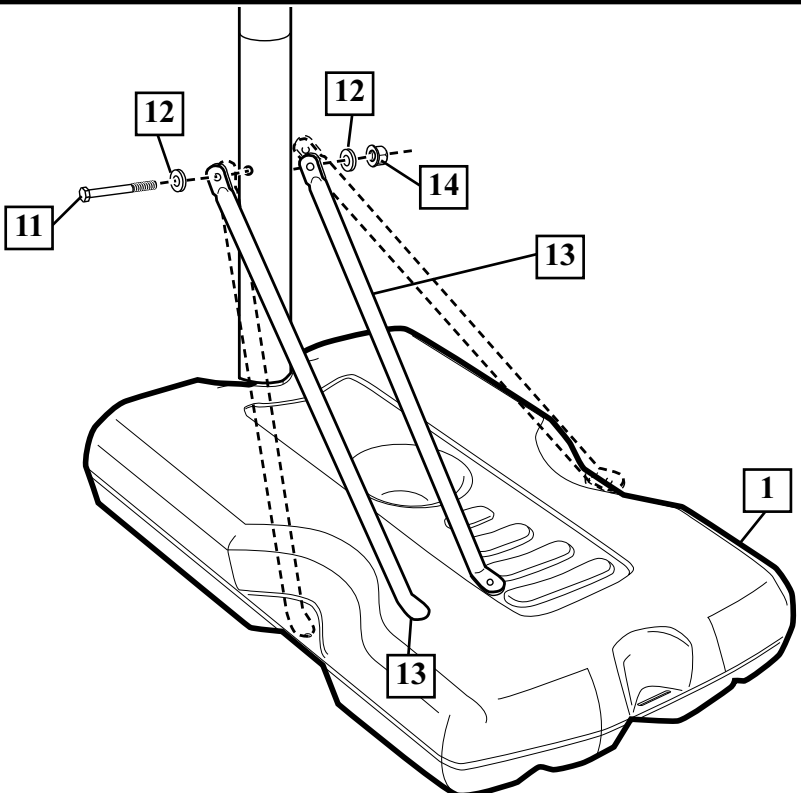
- 6.** Install wheel axle (2) through wheel carriage (9). Install wheels (3) onto wheel axle (2) with spacers (28) as shown. Insert pole assembly into tank assembly as shown. Secure bottom pole (6) to tank and wheel bracket as shown. A deep socket is recommended. **IMPORTANT! DO NOT OVER TIGHTEN.**



⚠ WARNING!

TWO PEOPLE REQUIRED FOR THIS PROCEDURE. FAILURE TO FOLLOW THIS WARNING COULD RESULT IN SERIOUS INJURY AND/OR PROPERTY DAMAGE.

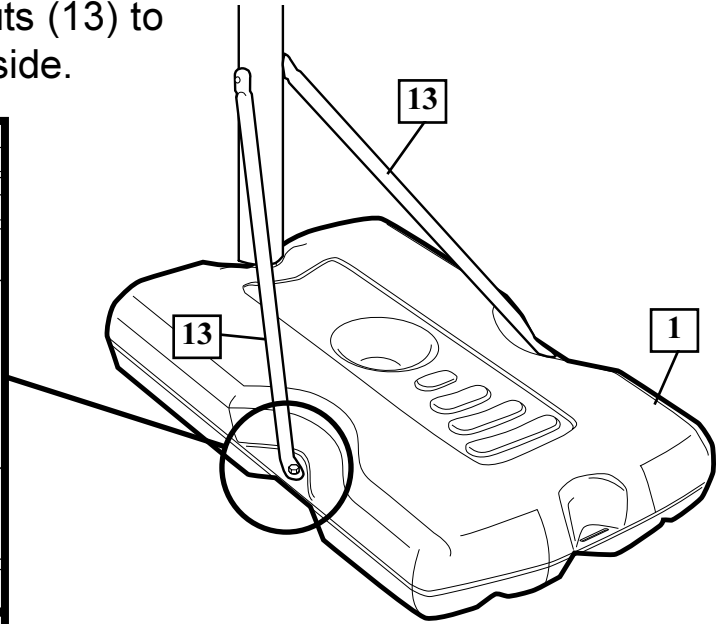
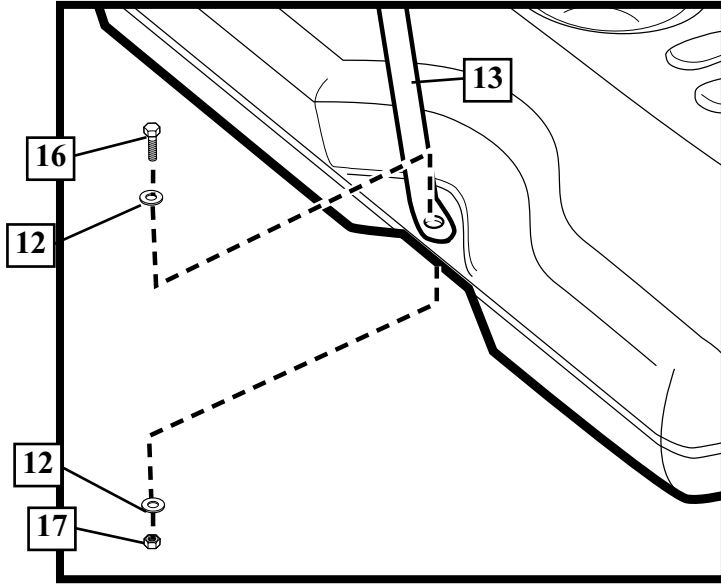
- 7.** Secure tank struts (13) to pole. Rotate non-secured ends of tank struts (13) outward to mounting holes in tank as shown.



⚠ WARNING!

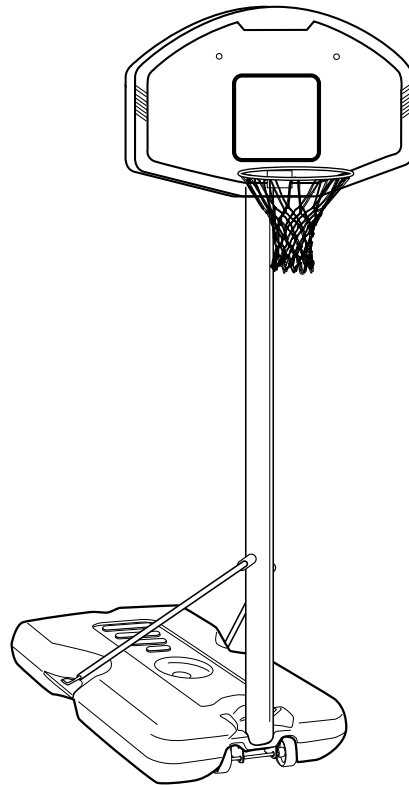
TIGHTEN BOLT (11) IN LOCK NUT (12) UNTIL FLUSH (EVEN) WITH LOCK NUT'S OUTER EDGE.

- 8.** Secure non-secured ends of tank struts (13) to tank as shown. Repeat for opposite side.



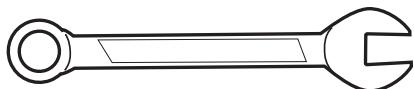
SECTION B: ASSEMBLE THE BOARD AND RIM

This is what your system will look like when you've finished this section:

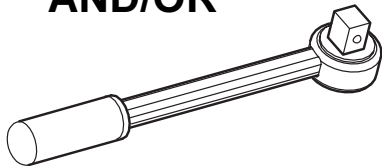


TOOLS REQUIRED FOR THIS SECTION

1/2"

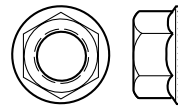


AND/OR



1/2"

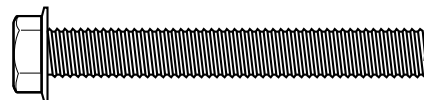
HARDWARE USED IN THIS SECTION (not actual size)



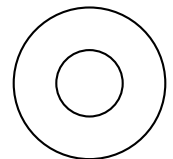
Item #17 (6)



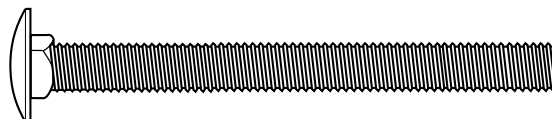
Item #19 (12)



Item #22 (4)

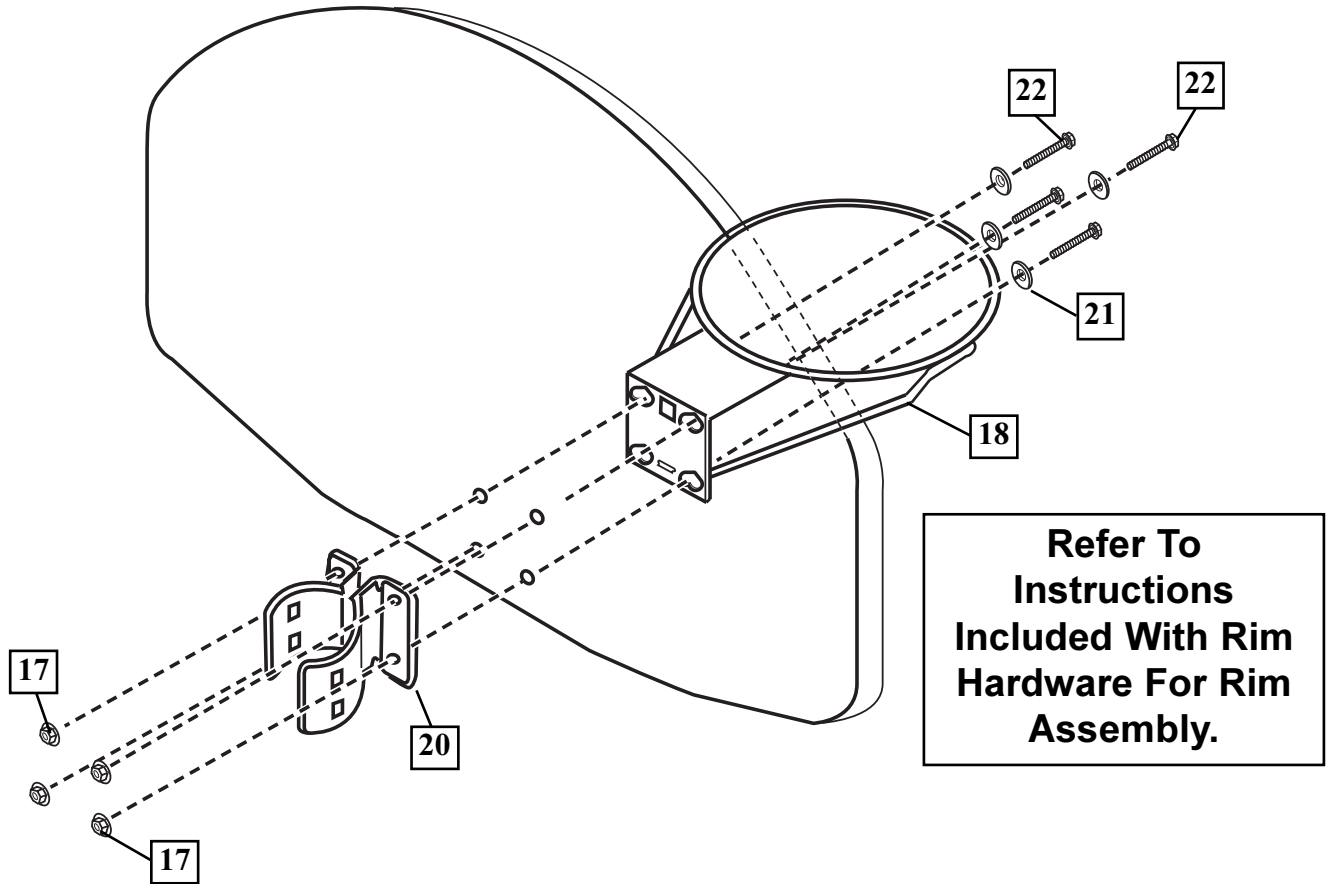


Item #21 (4)



Item #23 (2)

- 1.** Mount brackets (20) and rim (18) to backboard and finger tighten as shown. **NOTE:** Final adjustments will be made in Step 3 of this section
IMPORTANT! For spring loaded rim assembly, refer to instructions included with rim hardware.



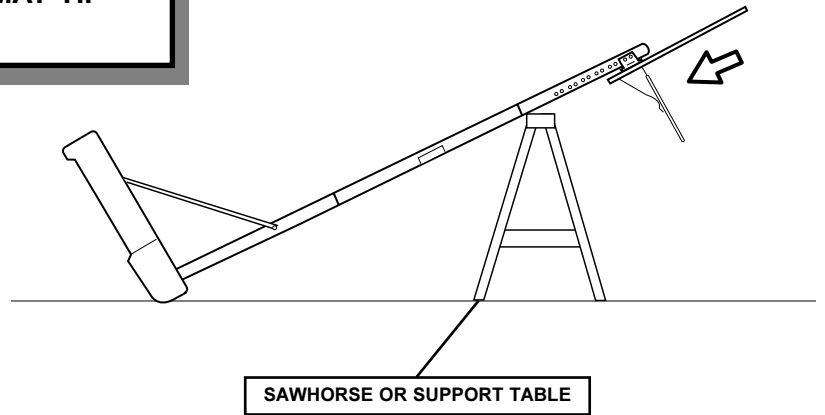
- 2.** Support pole and tank assembly over support table. Carefully slide backboard components onto pole.

⚠ WARNING!

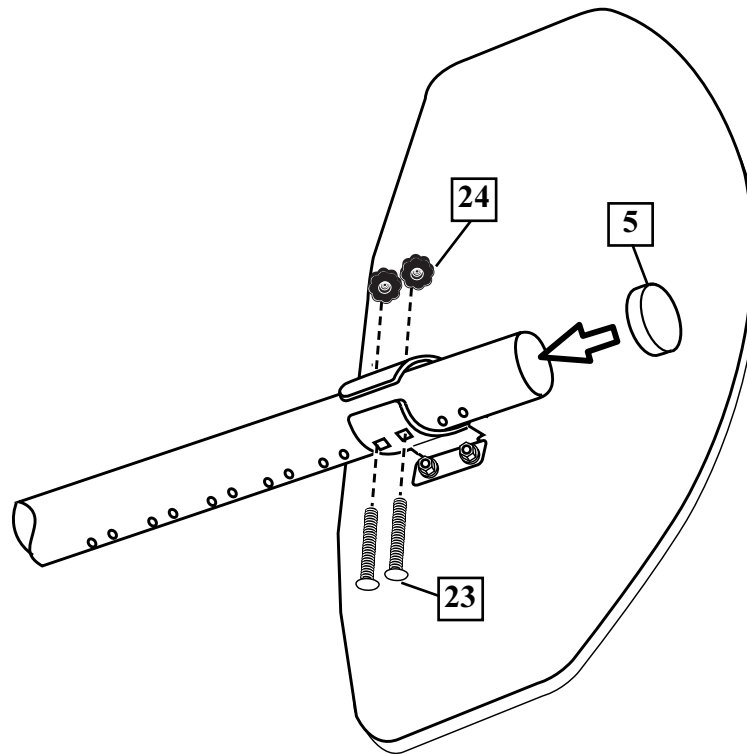
TWO PEOPLE
REQUIRED FOR THIS
PROCEDURE. FAILURE
TO FOLLOW THIS
WARNING COULD
RESULT IN SERIOUS
INJURY AND/OR
PROPERTY DAMAGE.

⚠ WARNING!

DO NOT LEAVE
ASSEMBLY
UNATTENDED WHEN
EMPTY; IT MAY TIP
OVER.



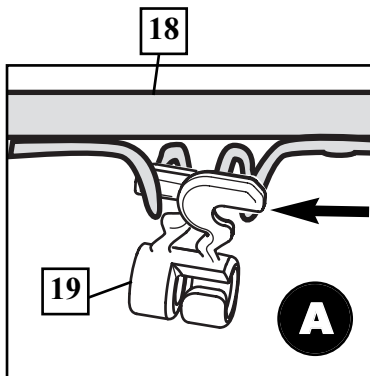
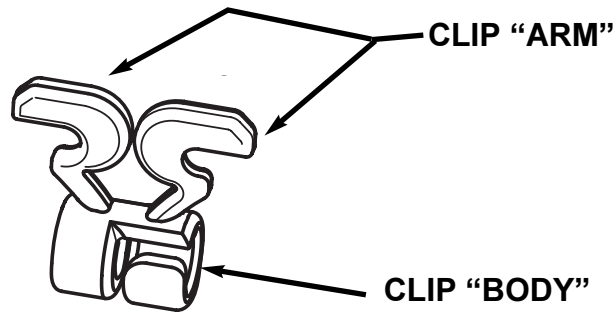
- 3.** While still in the horizontal position, carefully slide backboard components onto pole. Secure hardware at desired position as shown and tighten all hardware completely at this time.



4. Install clips.

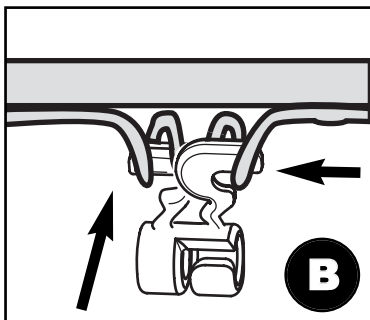
⚠ WARNING!

USE OF THIS PRODUCT WITHOUT PROPER INSTALLATION OF SMART CLIPS, OR WHEN ALL SMART CLIPS ARE NOT PRESENT COULD RESULT IN BODILY HARM. BE SURE TO FOLLOW DIRECTIONS CAREFULLY.

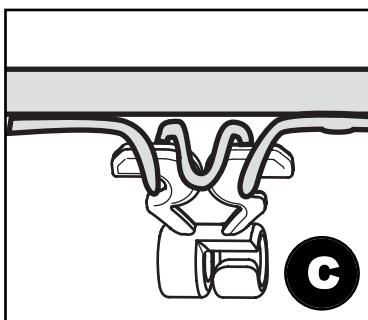


Insert one "arm" of clip into ram as shown. Twist "body" of clip slightly so that second "arm" slides over the top of the first "arm" as shown.

Push in direction indicated by arrows.



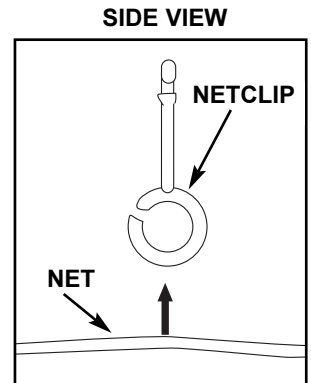
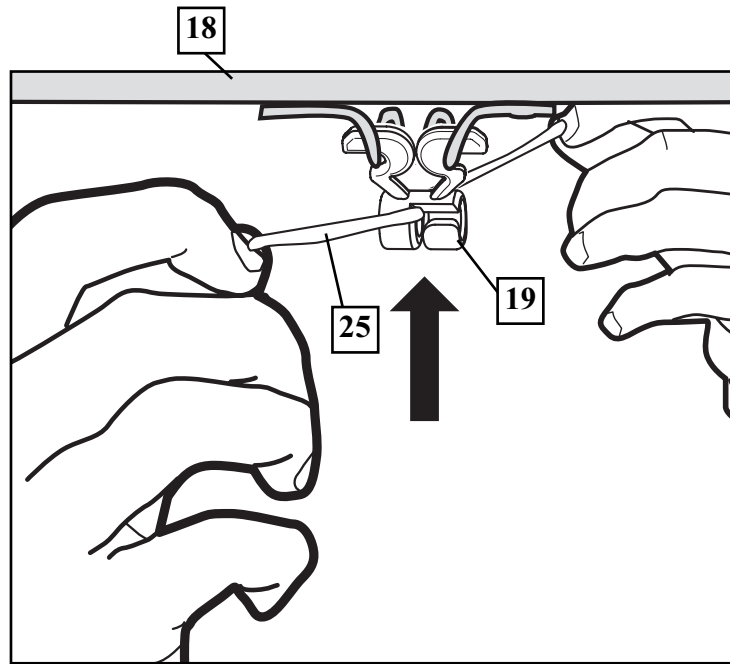
Push second "arm" back and into ram as shown.



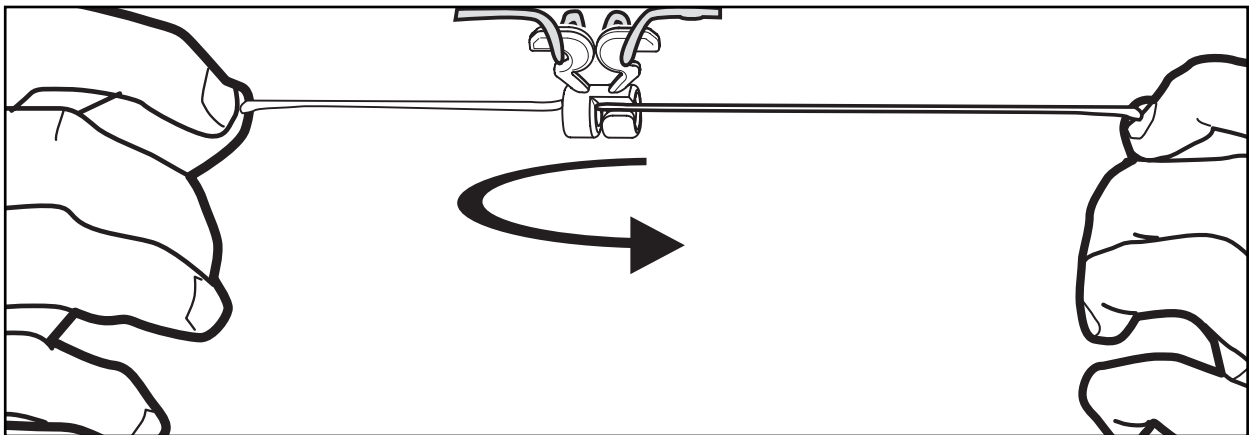
Twist "body" of clip slightly again to spread "arms" of clip. Clip "arms" must be flat and touching edge to edge as shown, not overlapping.

NET INSTALLATION

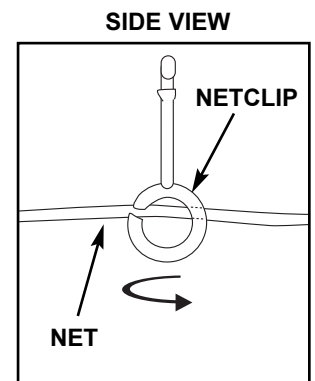
9.



Insert net into bottom of clip as shown.

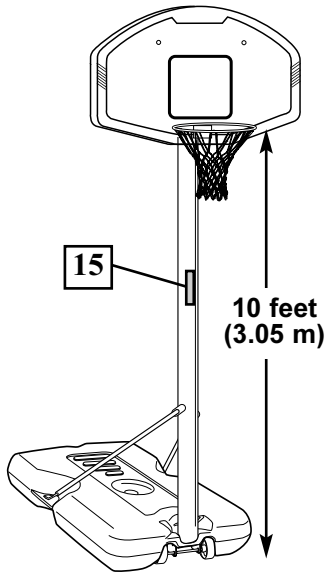


**Twist net until it snaps into position.
Net must be centered through clip.**



SECTION C: APPLY HEIGHT AND MOVING LABEL & SECURING SYSTEM

1. Carefully upright assembly. Apply moving system label (15) to front of pole as shown. Regulation rim height is 10 feet (3.05 m).



⚠ WARNING!

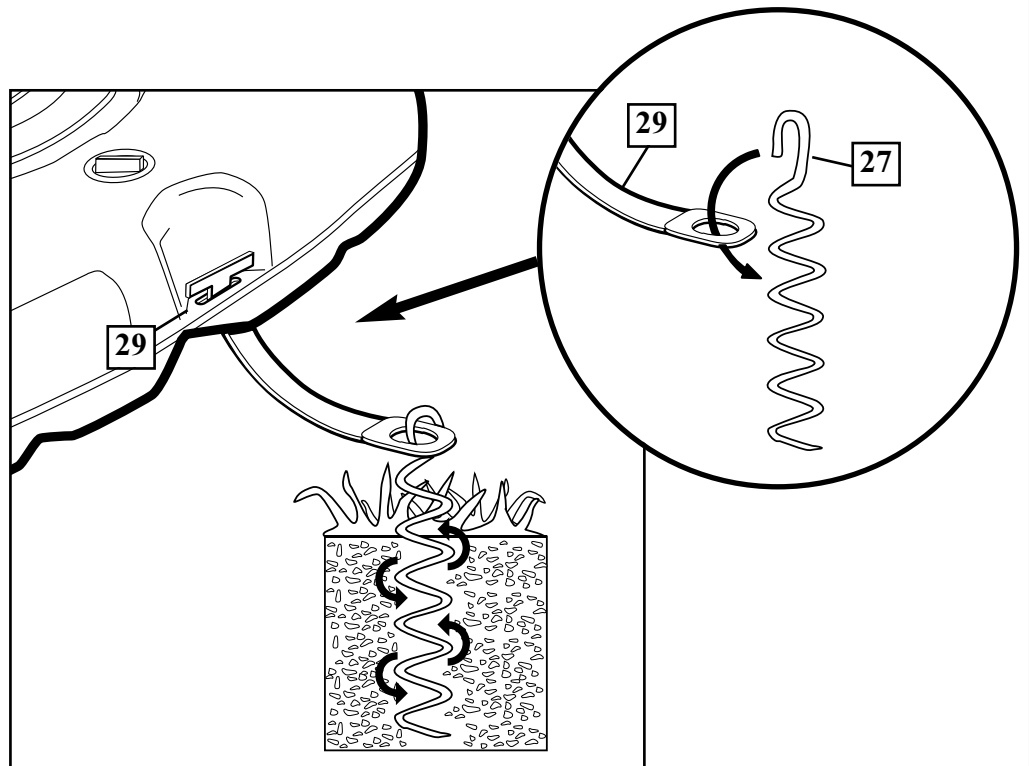
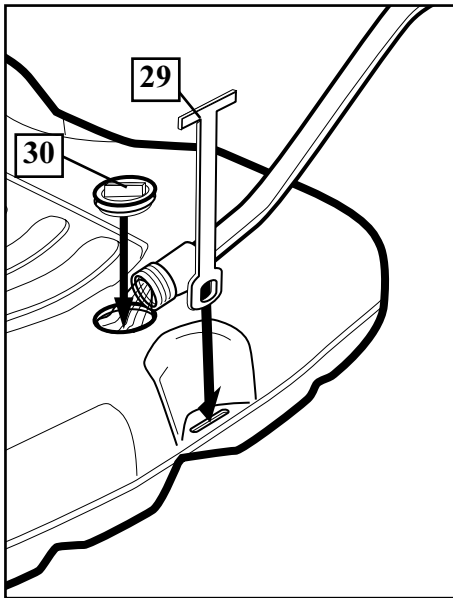
TWO PEOPLE
REQUIRED FOR THIS
PROCEDURE. FAILURE
TO FOLLOW THIS
WARNING COULD
RESULT IN SERIOUS
INJURY AND/OR
PROPERTY DAMAGE.

⚠ WARNING!

DO NOT LEAVE
ASSEMBLY
UNATTENDED WHEN
EMPTY; IT MAY TIP
OVER.

2. Place assembled unit to desired location. Fill tank with water (30 gallons (114 liters)) or sand (360 lb. (163 kg)) and snap tank cap (30) in place.

Insert T-strap (29) through slot on back of base as shown. Secure unit to ground by twisting tie down stake (27) into ground and hooking T-strap (29) onto tie down stake (27).



Free Manuals Download Website

<http://myh66.com>

<http://usermanuals.us>

<http://www.somanuals.com>

<http://www.4manuals.cc>

<http://www.manual-lib.com>

<http://www.404manual.com>

<http://www.luxmanual.com>

<http://aubethermostatmanual.com>

Golf course search by state

<http://golfingnear.com>

Email search by domain

<http://emailbydomain.com>

Auto manuals search

<http://auto.somanuals.com>

TV manuals search

<http://tv.somanuals.com>