

Universal Mounting Bracket

SAFETY INSTRUCTIONS

The **UNIVERSAL MOUNTING BRACKET** is a versatile assembly which allows you to mount your backboard to a pole, on a wall, or on a flat roof or a slanted roof of any pitch. Although the shape of a backboard may vary, it will not affect the installation procedure. Keep in mind that the official height of a basketball goal is 10 feet from the playing surface to the top of the goal rim.

WARNING: To ensure your safety, **DO NOT** attempt to assemble this system without following the instructions carefully. **BEFORE BEGINNING ASSEMBLY READ THE INSTRUCTIONS, AND IDENTIFY PARTS** using the hardware identifier and parts list in this document.

WARNING: Mounting the backboard is performed at an elevated height, for your own safety, use a ladder. Two people are required for this operation, one person should not attempt this alone. Use proper precautions.

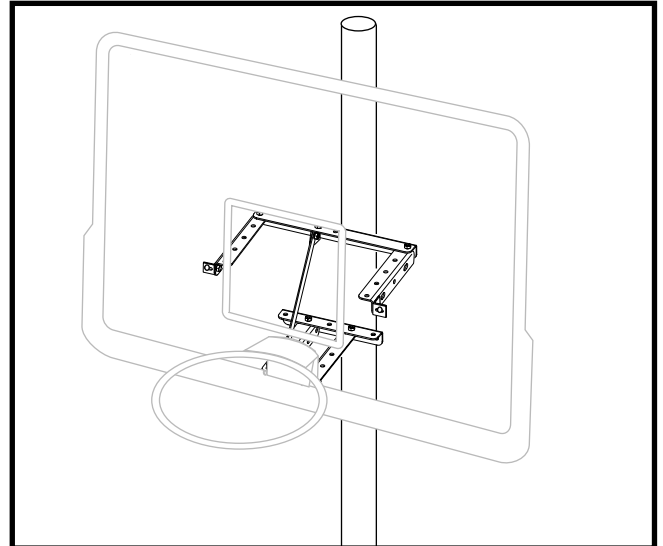
WARNING: This system is not designed to support a player hanging from the goal or net. Failure to observe this caution may cause bodily injury and/or property damage.

IMPORTANT!! Because installation circumstances cannot be predicted, anchoring and fastening hardware cannot be provided with this kit to mount the **UNIVERSAL MOUNTING BRACKET** to your particular wall or roof. Long wood screws are recommended for wood and shingled walls and roofs. Expandable anchors are recommended for cement or brick walls and roofs. Consult your local hardware store for the appropriate anchoring and fastening hardware.

IMPORTANT!

We appreciate your purchasing one of our many fine products. We are sure that you will be very satisfied with your selection. Although great care and effort have been taken, problems may occur. To ensure prompt and correct handling of any problems, or to answer any questions, please

The NBA and individual NBA member team identifications reproduced on this product are trademarks and copyrighted designs, and/or other forms of intellectual property, that are the exclusive property of NBA Properties, Inc. and the respective NBA member teams and may not be used, in whole or in part, without the written consent of NBA Properties, Inc.



PARTS LIST

Item	Qty.	Part No.	Description
1	6	900099	Short Angle, Black
2	1	900814	Long Angle, Black
3	2	900815	Strap, Long
4	6	200580	Angle Bracket
5	2	204102	U-bolt, 3/8-16 x 4-1/4
6	4	203309	Flat Washer, .406 I.D. x 1.0 O.D.
7	4	203017	Hex Nut, 3/8-16
8	12	201107	Capscrew, Hex Head, 1/4-20 x 1/2
9	12	203326	Lock Washer, 1/4
10	12	203228	Hex Nut, 1/4-20
11	1	900104	Short Strap
12	4	203103	Carriage Bolt, 5/16-18 x 1-1/2

REQUIRED TOOLS AND MATERIALS:

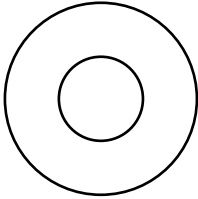
• Two of each: 3/4", 7/16", 1/2" and 9/16" Wrenches

NOTICE TO ASSEMBLERS

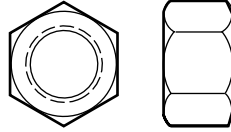
ALL Huffy Sports basketball Systems, including those used for **DISPLAYS**, **MUST** be assembled and ballasted with sand or water according to instructions. Failure to follow instructions could result in **SERIOUS INJURY**. It is **NOT** acceptable to

Internet Address: <http://www.huffysports.com>

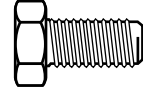
HARDWARE IDENTIFIER



Item #6 (4)



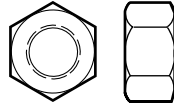
Item #7 (4)



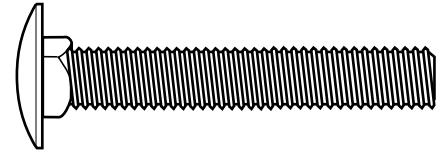
Item #8 (12)



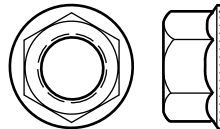
Item #9 (12)



Item #10 (12)



Item #12 (4)



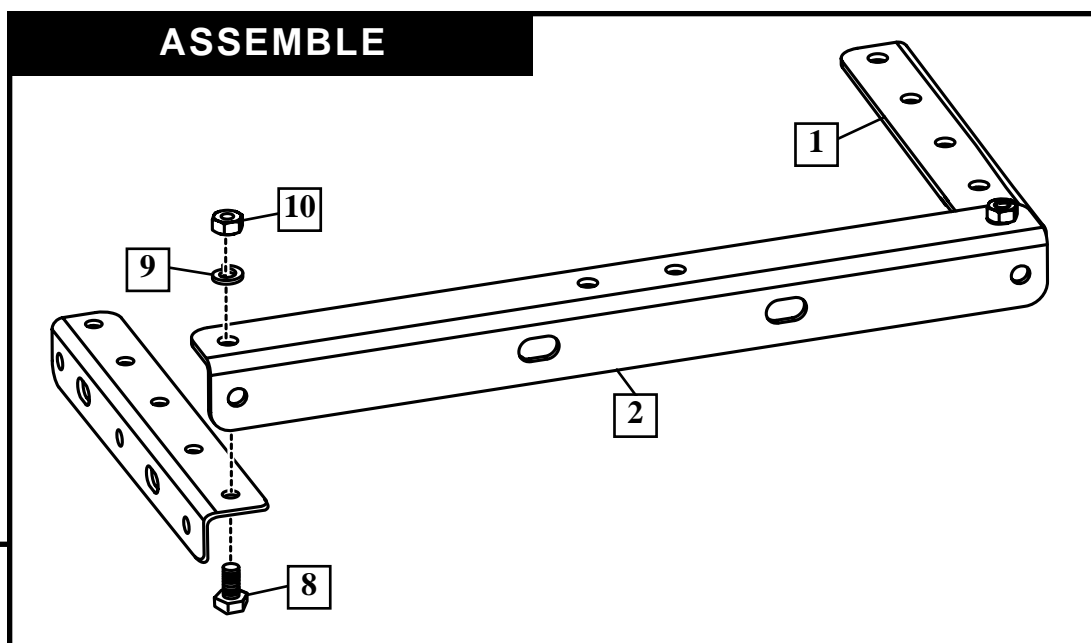
Item #13 (4)

POLE/WALL MOUNT FOR FAN OR RECTANGULAR MOLDED PLASTIC BACKBOARDS

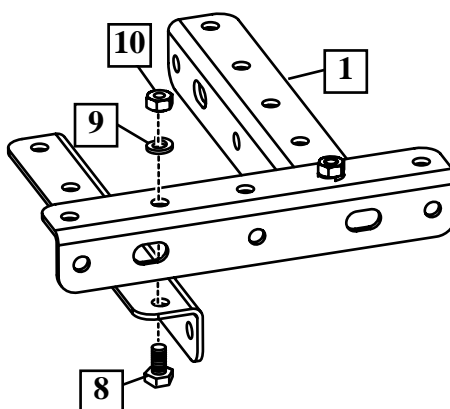
IMPORTANT! Finger tighten nuts and bolts until bracket is completely assembled.

1. Assemble short angles to long angle as shown.
2. Assemble short angles. Assemble bolts as shown.
3. Assemble bracket with brace. Fully tighten all nuts and bolts after assembly.
4. Install angle brackets as shown.
5. **IMPORTANT! Hardware supplied is designed for a 3 1/2" diameter pole. Consumers must provide necessary hardware for poles of other sizes.**
Assemble U-Bolts to brackets loosely. Tighten when desired goal height is reached.
Official NBA goal height is 10 feet (3.05m).
6. Mount bracket to wall, then install backboard.
7. Mount to roof.

1.

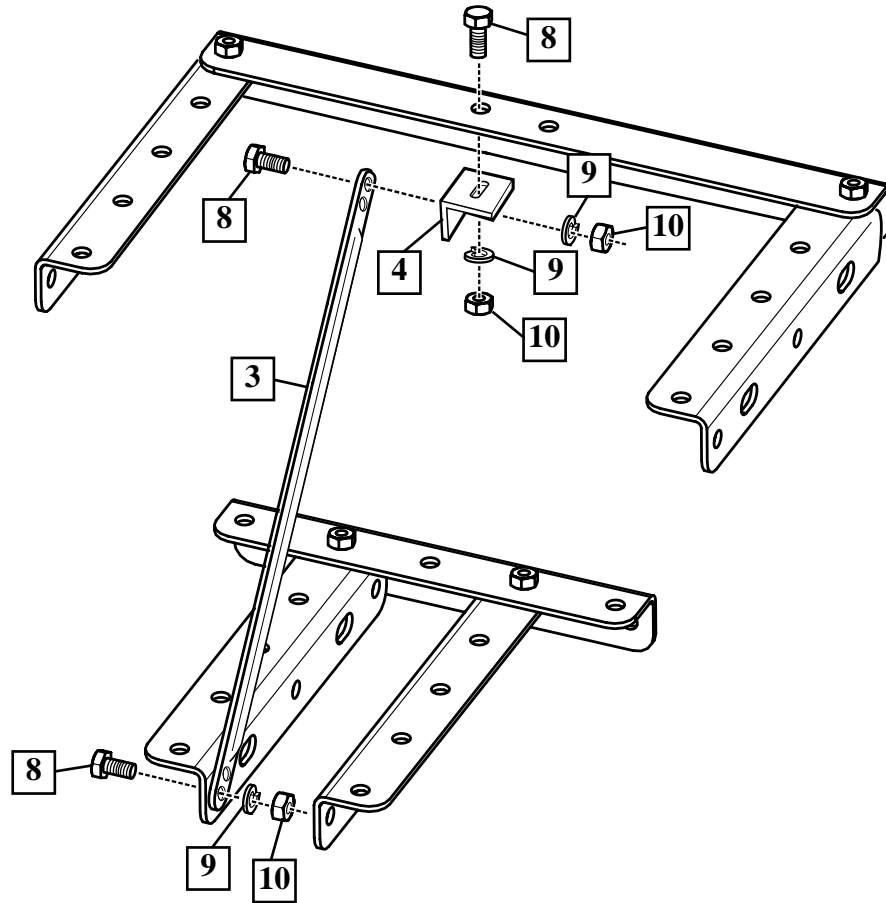


2.

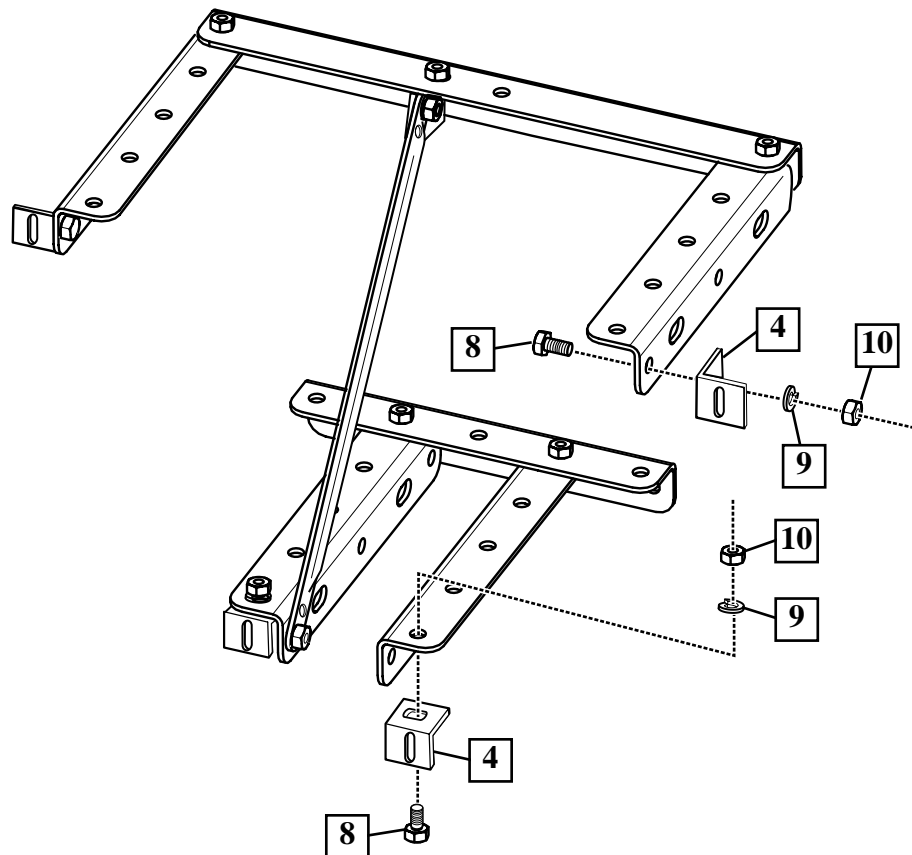


ASSEMBLE COMPONENTS (continued)

3.

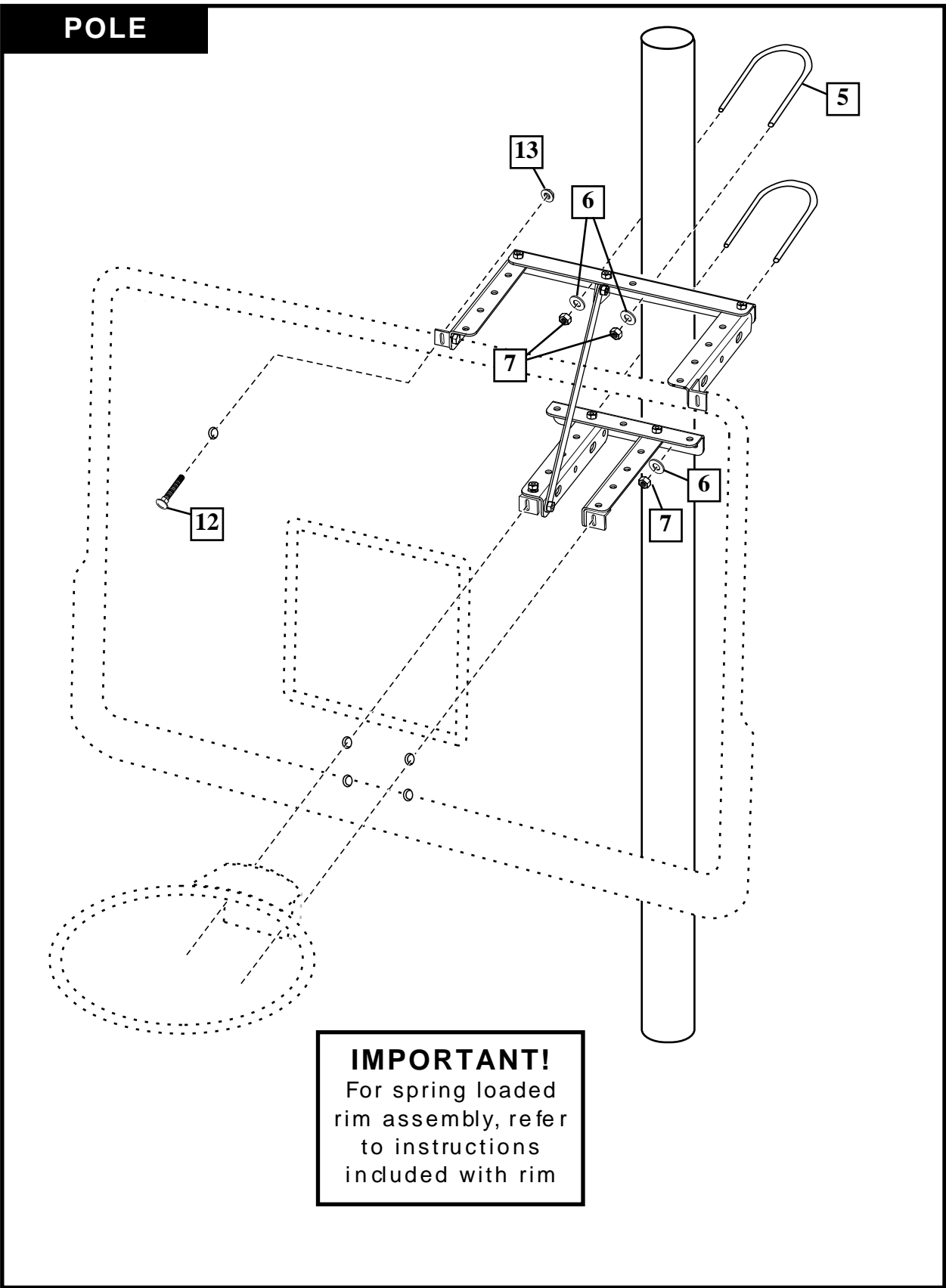


4.



5.

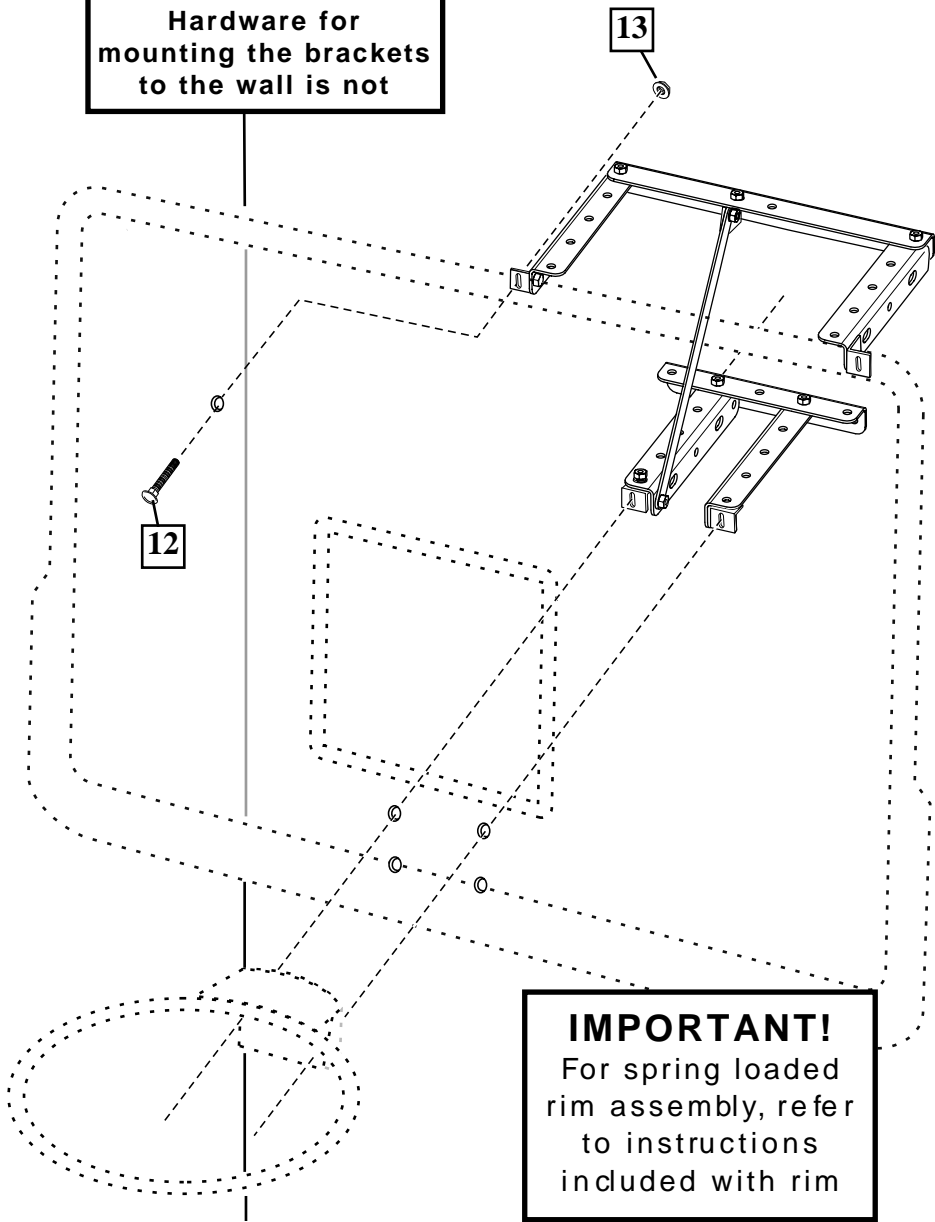
POLE



6.

WALL MOUNT

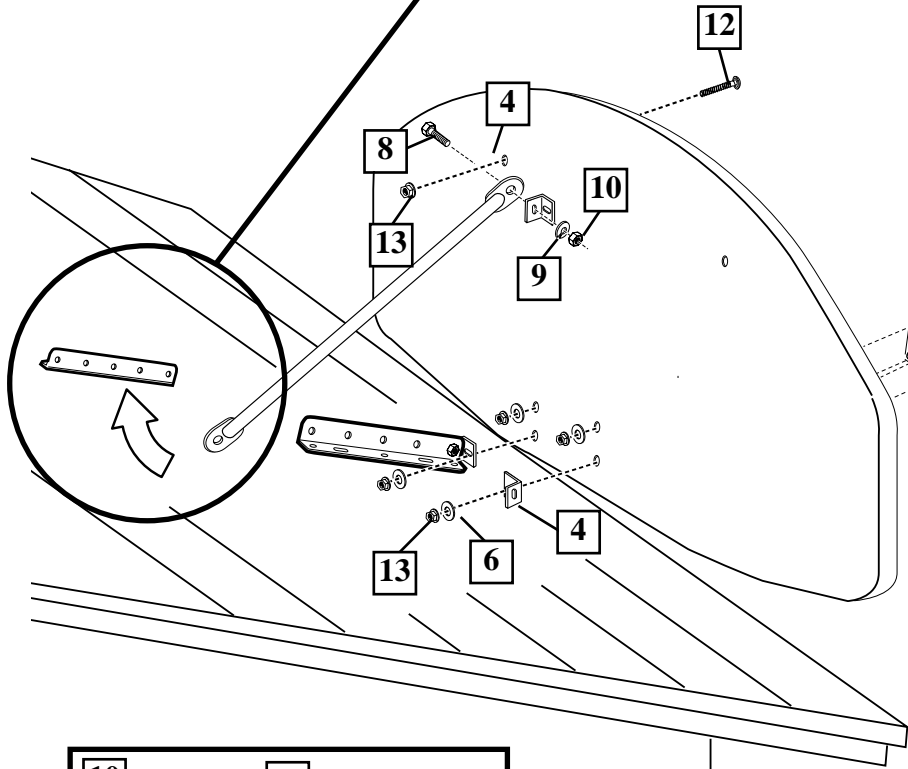
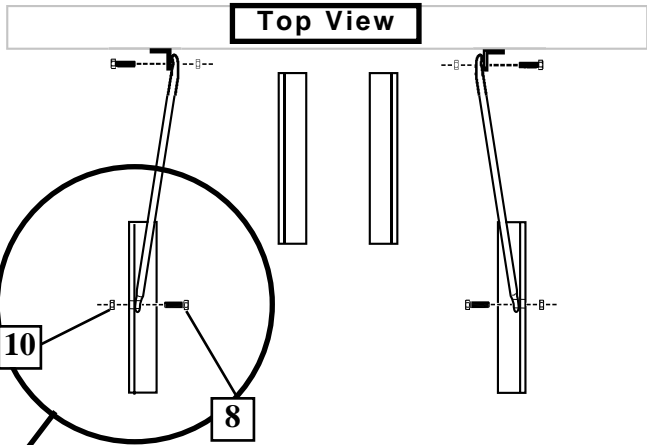
NOTE:
Hardware for mounting the brackets to the wall is not



IMPORTANT!
For spring loaded rim assembly, refer to instructions included with rim

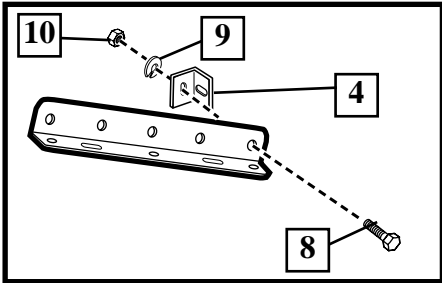
7.

ROOF MOUNT



Do not use washers here on spring return style rims.

IMPORTANT!
For spring loaded rim assembly, refer to instructions included with rim



NOTE:
Hardware for mounting the brackets to the roof is not

POLE/WALL MOUNT FOR STEEL FRAME ACRYLIC BACKBOARDS

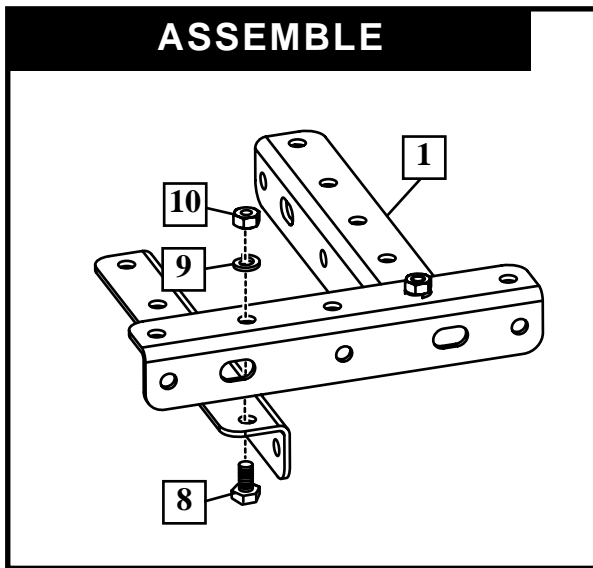
IMPORTANT! Finger tighten nuts and bolts until bracket is completely assembled.

1. Assemble angle bracket assembly. Assemble bolts as shown.
2. Assemble angle bracket assembly. Assemble bolts as shown.
3. Assemble brackets with brace. Fully tighten all nuts and bolts after assembly.
4. **IMPORTANT! Hardware supplied is designed for a 3 1/2" diameter pole. Consumers must provide necessary hardware for poles of other sizes.**

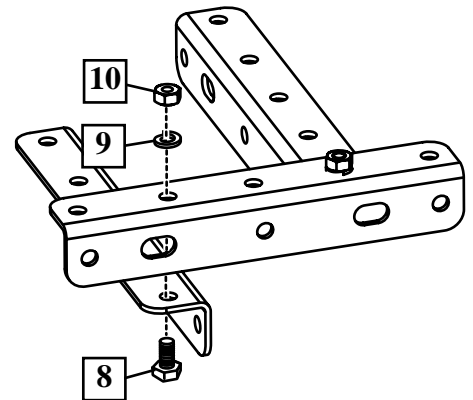
Assemble U-Bolts to brackets loosely. Tighten when desired goal height is reached. Official NBA goal height is 10 feet (3.05m).

5. Mount bracket to wall, then install backboard.
6. Mount to roof.

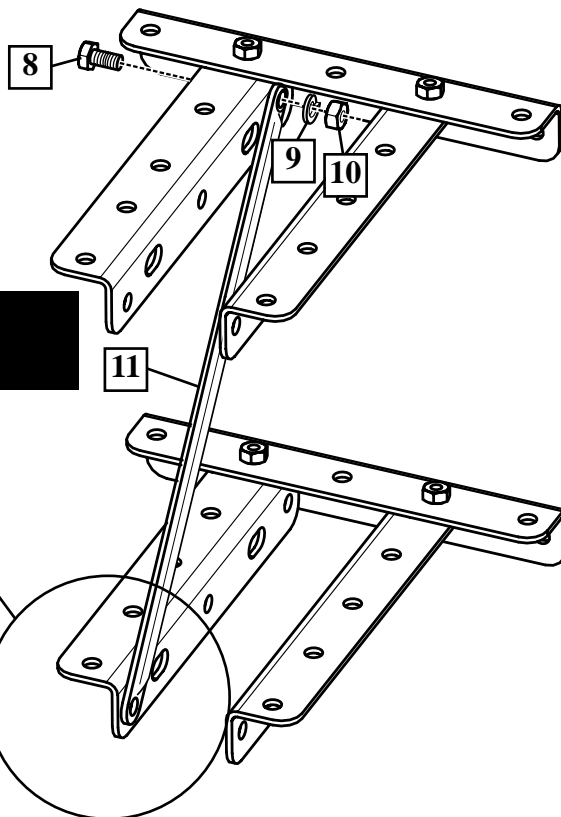
1.



2.

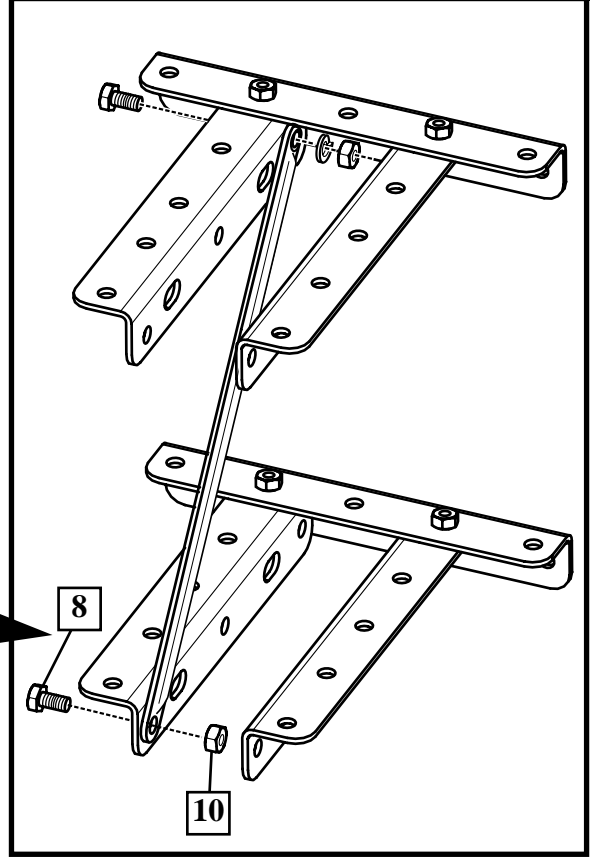
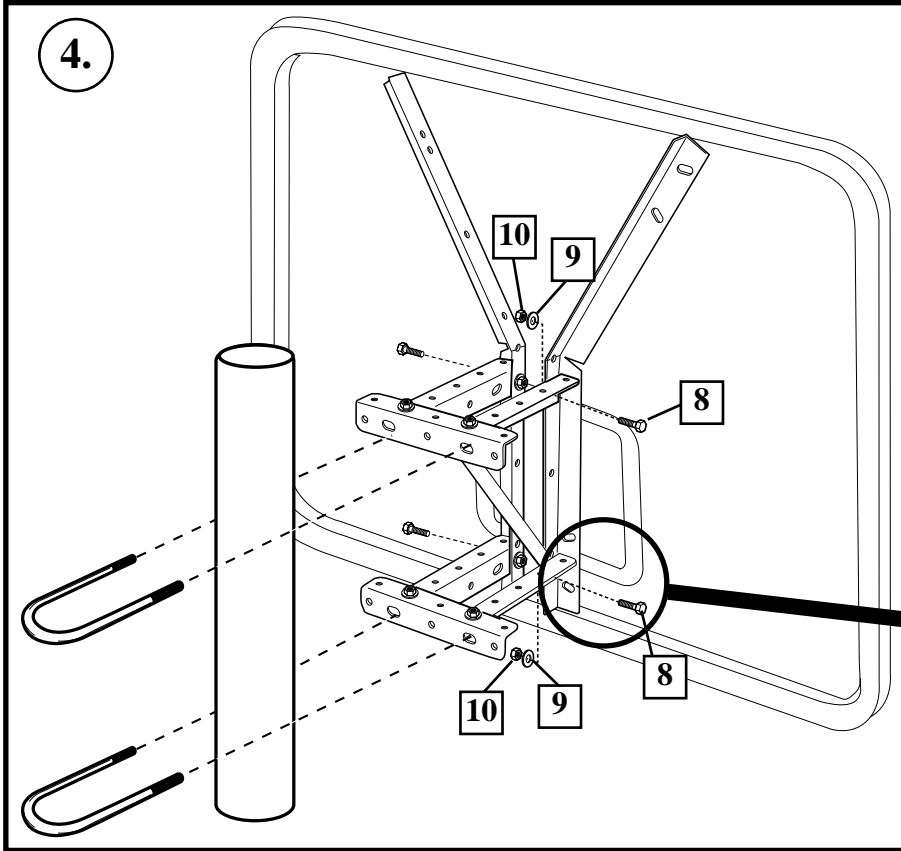


3.



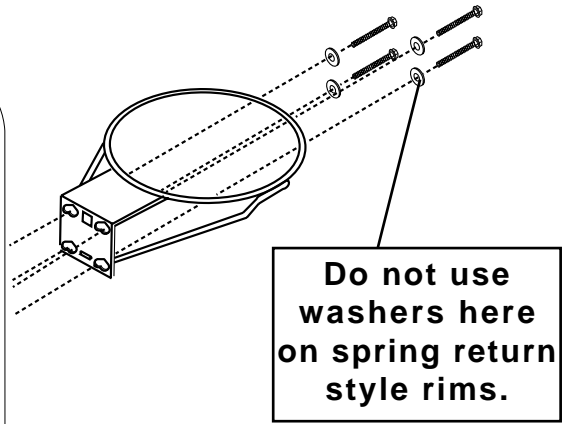
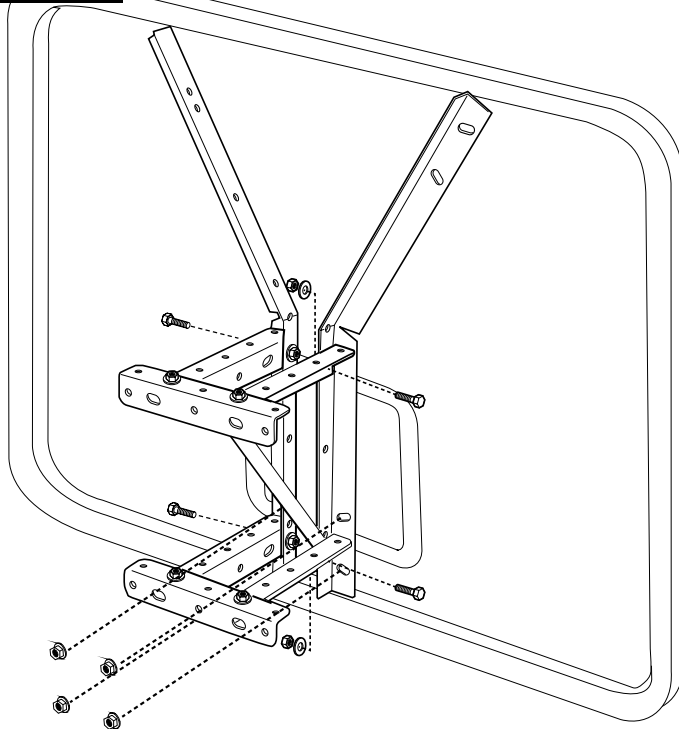
POLE

FRONT VIEW



WALL MOUNT

5.

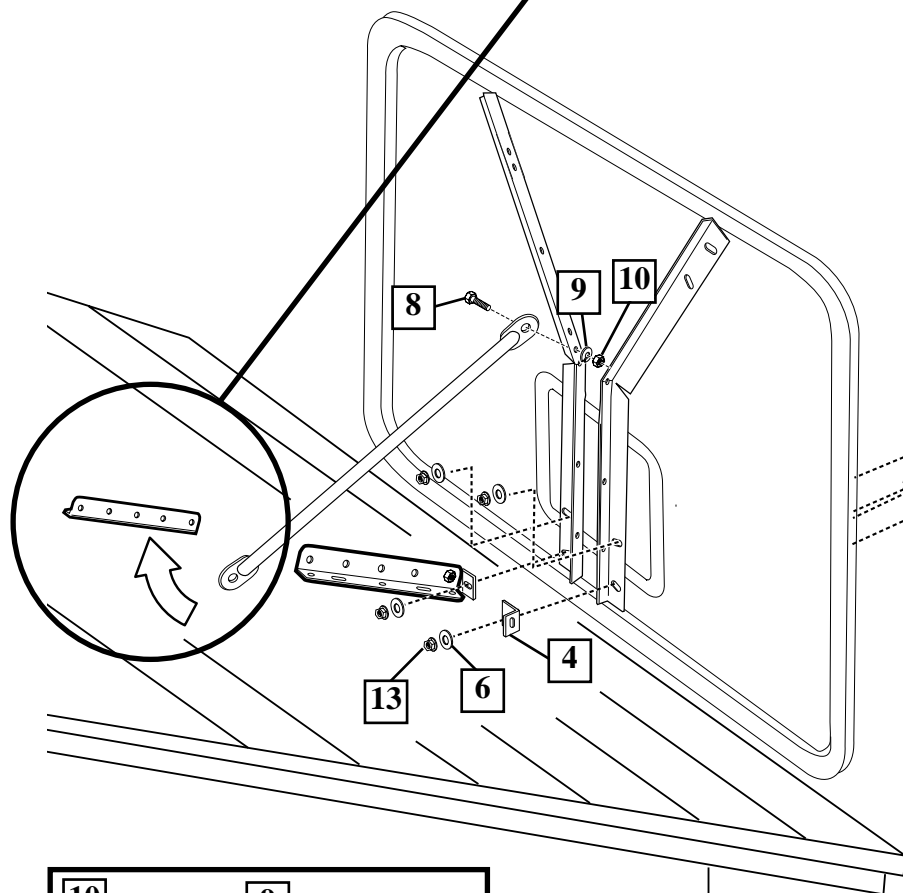
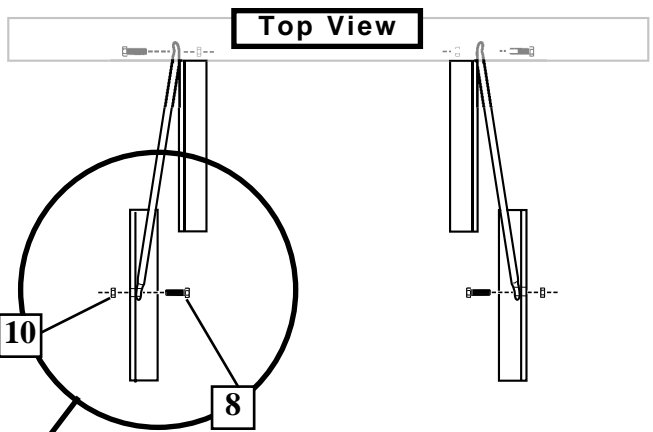


Do not use washers here on spring return style rims.

IMPORTANT!
For spring loaded rim assembly, refer to instructions included with rim

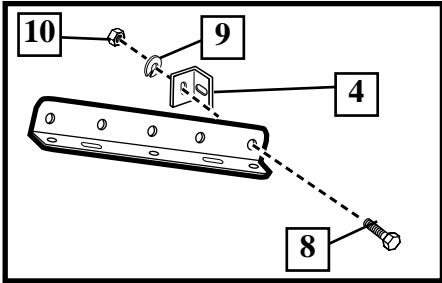
ROOF MOUNT

6.



Do not use washers here on spring return style rims.

IMPORTANT!
For spring loaded rim assembly, refer to instructions included with rim



NOTE:
Hardware for mounting the brackets to the roof is not

Free Manuals Download Website

<http://myh66.com>

<http://usermanuals.us>

<http://www.somanuals.com>

<http://www.4manuals.cc>

<http://www.manual-lib.com>

<http://www.404manual.com>

<http://www.luxmanual.com>

<http://aubethermostatmanual.com>

Golf course search by state

<http://golfingnear.com>

Email search by domain

<http://emailbydomain.com>

Auto manuals search

<http://auto.somanuals.com>

TV manuals search

<http://tv.somanuals.com>