

Model 89135 Display Unit for In-Ground Models

! SAFETY INSTRUCTIONS !

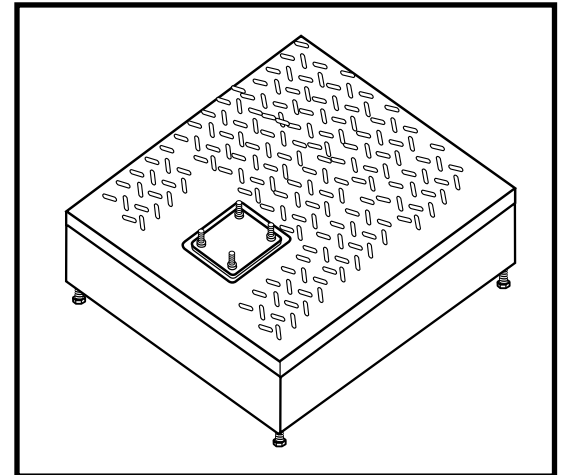
FAILURE TO FOLLOW THESE SAFETY INSTRUCTIONS MAY RESULT IN SERIOUS INJURY, PROPERTY DAMAGE AND WILL VOID WARRANTY.

This unit is intended for display purposes only and should not be used for play.

To ensure safety, do not attempt to assemble this system without following the instructions carefully. Before beginning assembly, read the instructions and identify parts using the hardware identifier and parts list in this document. Proper and complete assembly, use and supervision is essential for proper operation and to reduce the risk of accident or injury. A high probability of serious injury exists if this system is not installed, maintained, and operated properly.

- Display must have a minimum of 369 lbs. (163.3 kg) of added ballast located as shown in instructions to keep pole assembly upright.
- Backboard and rim assembly must be centered directly over base.
- During assembly, if using a ladder use extreme caution. Two people are required for this procedure.
- Adjust leveling bolts to ensure a level display surface.
- If technical assistance is required, contact Huffy Sports' Sample and Display Technician.
- Minimum operational height is 6'6" (2 m) to the bottom of backboard.

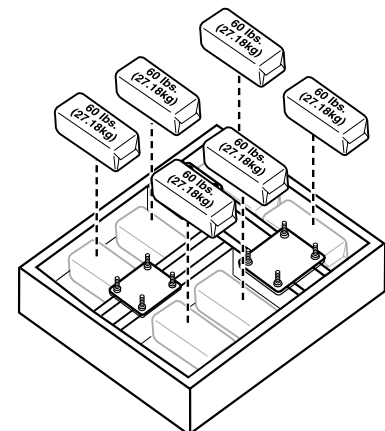
Most injuries are caused by misuse and/or not following instructions. Use caution when using this unit.



REQUIRED TOOLS AND MATERIALS:

- (Two) 3/4" Wrenches
- (6)-60 lbs. 360 lbs. (163.3 kg) Bags of Sand

! WARNING



HUFFY SPORTS

205920 3/98

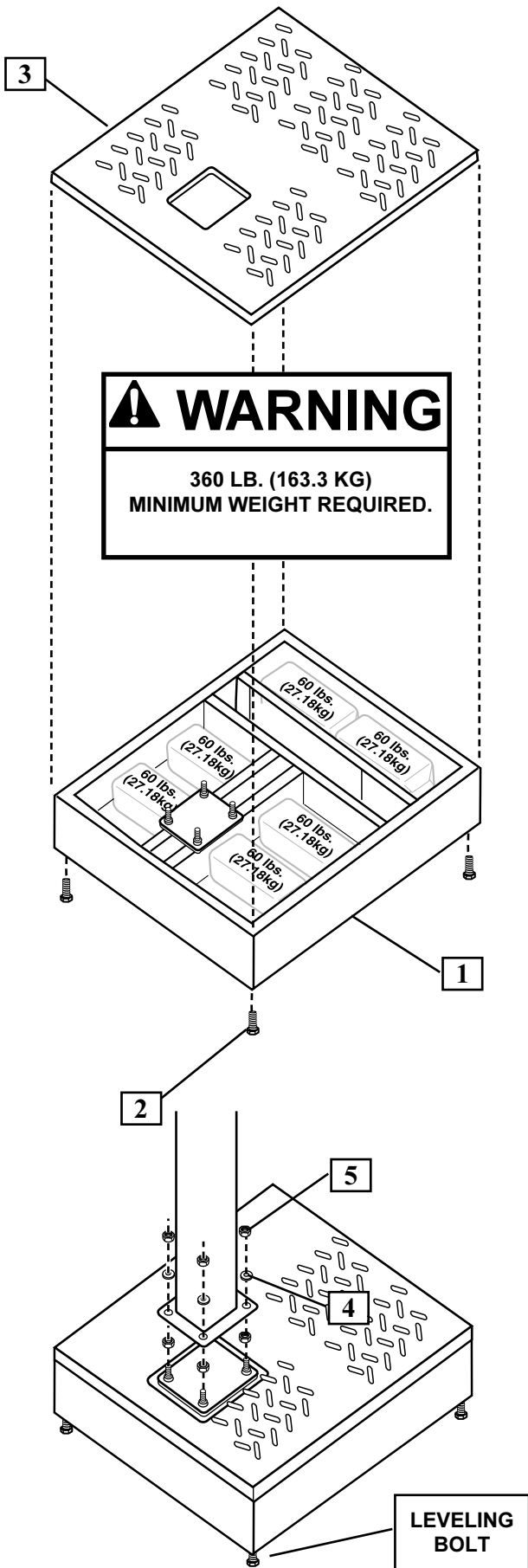
PART LIST

Item	Qty.	Part No.	Description
1	1	900004	Base
2	4	206246	Bolt, 1/2-13 x 1-1/2 Long
3	1	908084	Cover, Black
4	4	206270	Washer, 9/16 I.D., 1-1/16 O.D.
5	4	201646	Locknut, Hex, Center-Lock, 1/2-13

IMPORTANT!

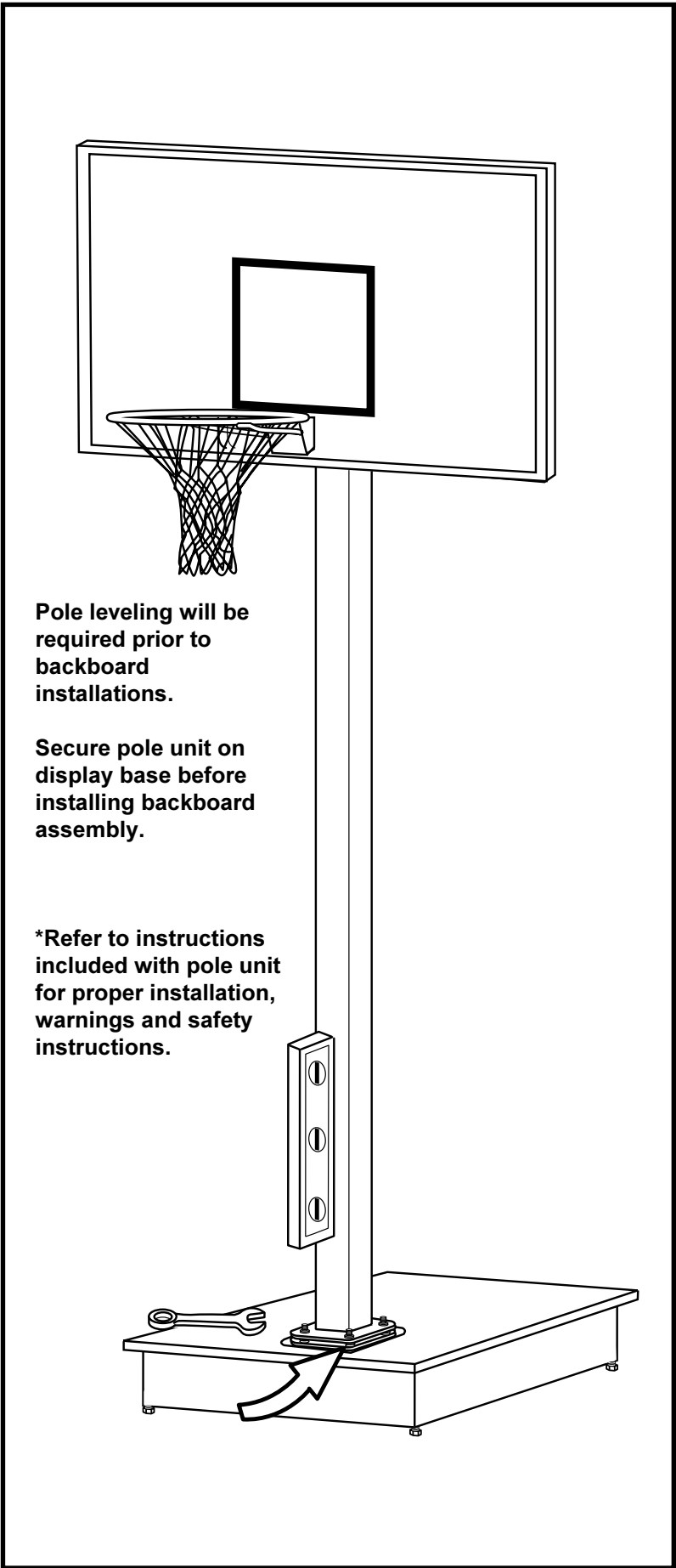
We appreciate your purchasing one of our many fine products. We are sure that you will be very satisfied with your selection. Although great care and effort have been taken, occasionally problems may occur. To ensure prompt and correct handling of any problems, or to answer any questions, please contact the Sample and Display Technician at 414-820-3440 ext 401.





⚠ WARNING

360 LB. (163.3 KG)
MINIMUM WEIGHT REQUIRED.



Free Manuals Download Website

<http://myh66.com>

<http://usermanuals.us>

<http://www.somanuals.com>

<http://www.4manuals.cc>

<http://www.manual-lib.com>

<http://www.404manual.com>

<http://www.luxmanual.com>

<http://aubethermostatmanual.com>

Golf course search by state

<http://golfingnear.com>

Email search by domain

<http://emailbydomain.com>

Auto manuals search

<http://auto.somanuals.com>

TV manuals search

<http://tv.somanuals.com>