

HUFFY SPORTS

A DIVISION OF RUSSELL CORPORATION

Table Soccer Game Owners Manual

Customer Service Center

• N53 W24700 South Corporate Circle • Sussex, WI 53089 • U.S.A.



Questions or Missing Parts?

DON'T go back to store!

Call the Huffy Sports TOLL-FREE
Customer Service Number
listed on the front page!

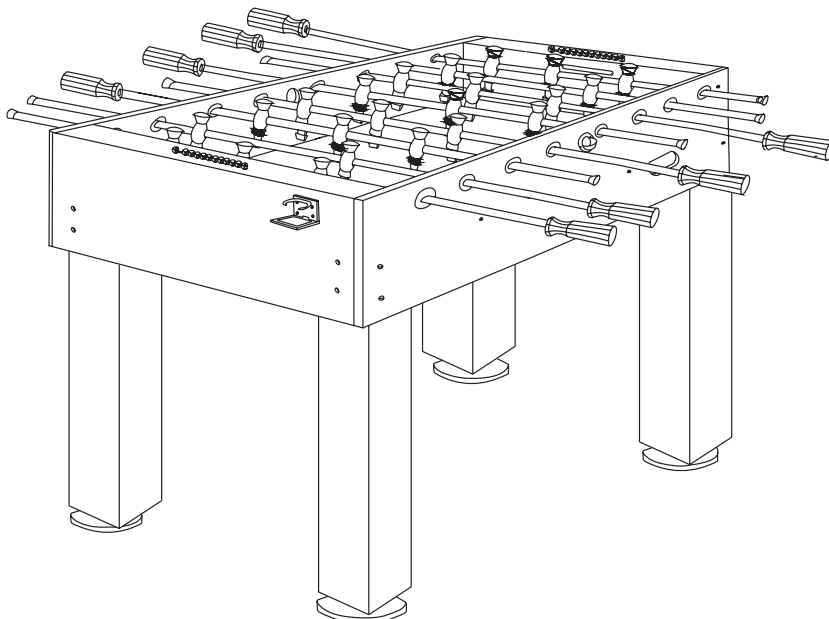
PLEASE DO NOT CALL Snap-on TOOLS FOR REPLACEMENT OR MISSING PARTS.

Toll-Free Customer Service Number for U.S: 1-800-558-5234

For Canada: 1-800-284-8339

For Europe: 00 800 555 85234 (Sweden: 009 555 85234)

For Australia: 1-800-333 061


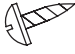
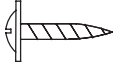
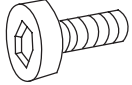

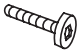







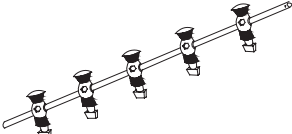
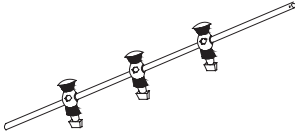
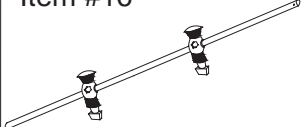
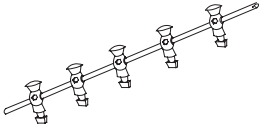
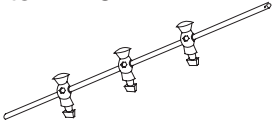
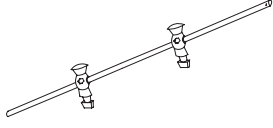
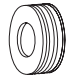

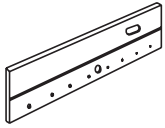
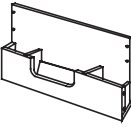
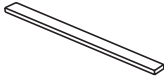
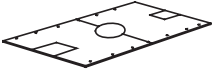
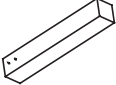




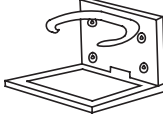



! WARNING!

READ AND UNDERSTAND
OPERATOR'S MANUAL
BEFORE USING THIS UNIT.

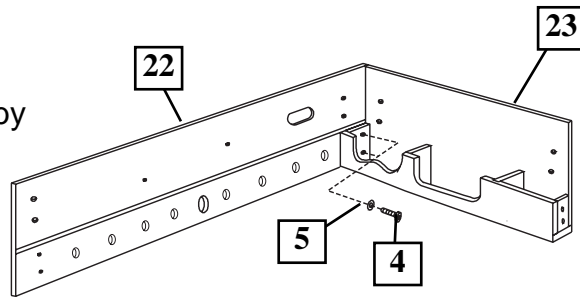
FAILURE TO FOLLOW
OPERATING
INSTRUCTIONS COULD
RESULT IN INJURY OR
DAMAGE TO PROPERTY.

TS-104 TABLE SOCCER PARTS LIST

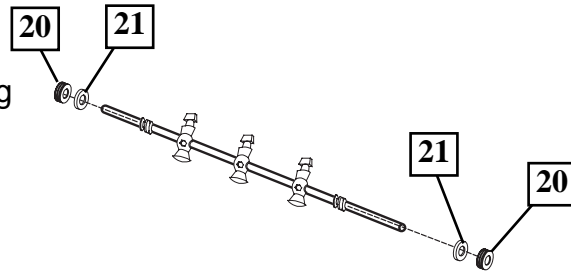
<p>Item #1</p>  <p>1/8" Flat Head Screw 4 Pcs</p>	<p>Item #2</p>  <p>1/2" Round Head Screw 26 Pcs</p>	<p>Item #3</p>  <p>3/4" Round Head Screw 18 Pcs</p>	<p>Item #4</p>  <p>Leg Bolt 24 Pcs</p>
<p>Item #5</p>  <p>Leg Washer 24 Pcs</p>	<p>Item #6</p>  <p>3/16" Bolt 4 Pcs</p>	<p>Item #7</p>  <p>3/16" Washer 4 Pcs</p>	<p>Item #8</p>  <p>Barrel Nut 4 Pcs</p>
<p>Item #9</p>  <p>Tool 1 Pcs</p>	<p>Item #10</p>  <p>Slide Scorer 2 Pcs</p>	<p>Item #11</p>  <p>Soccer Ball 2 Pcs</p>	<p>Item #12</p>  <p>Rod Cap 8 Pcs</p>
<p>Item #13</p>  <p>Handle 8 Pcs</p>	<p>Item #14</p>  <p>Home 5-Player Rod 1 Pcs</p>	<p>Item #15</p>  <p>Home 3-Player Rod 2 Pcs</p>	<p>Item #16</p>  <p>Home 2-Player Rod 1 Pcs</p>
<p>Item #17</p>  <p>Away 5-Player Rod 1 Pcs</p>	<p>Item #18</p>  <p>Away 3-Player Rod 2 Pcs</p>	<p>Item #19</p>  <p>Away 2-Player Rod 1 Pcs</p>	<p>Item #20</p>  <p>Rod Bushing 16 Pcs</p>
<p>Item #21</p>  <p>Plastic Rod Washer 16 Pcs</p>	<p>Item #22</p>  <p>Slide Panel 2 Pcs</p>	<p>Item #23</p>  <p>End Panel 2 Pcs</p>	<p>Item #24</p>  <p>Playfield Support Brace 2 Pcs</p>
<p>Item #25</p>  <p>Playfield 1 Pcs</p>	<p>Item #26</p>  <p>Leg 4 Pcs</p>	<p>Item #27</p>  <p>Plastic Goal Box 2 Pcs</p>	<p>Item #28</p>  <p>Plastic Ball Catcher 2 Pcs</p>
<p>Item #29</p>  <p>Ball Runner 2 Pcs</p>	<p>Item #30</p>  <p>Ball Entry Cup 2 Pcs</p>	<p>Item #31</p>  <p>Drink Holder 2 Pcs</p>	<p>Item #32</p>  <p>Leg Leveler 4 Pcs</p>

1.

A. Attach a side panel (22) to the end panel (23) by using leg bolt (4) and leg washer (5).

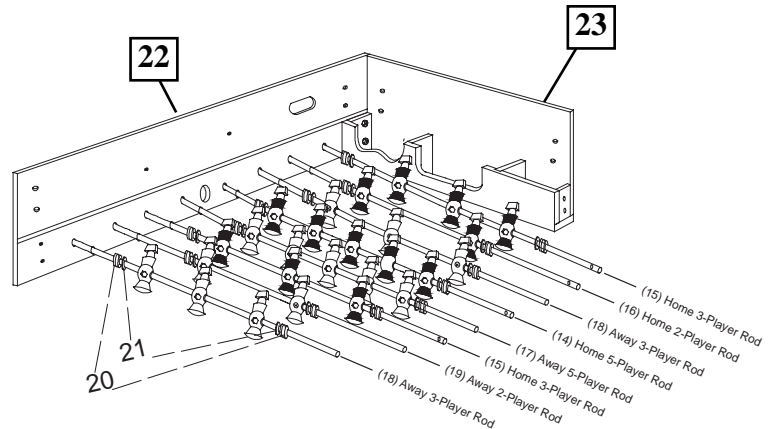
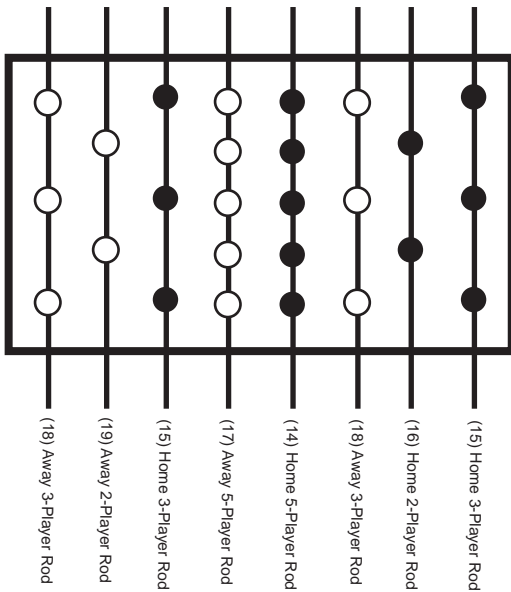


B. Slide the plastic rod washer (21) and rod bushing (20) onto each end of the player rods.

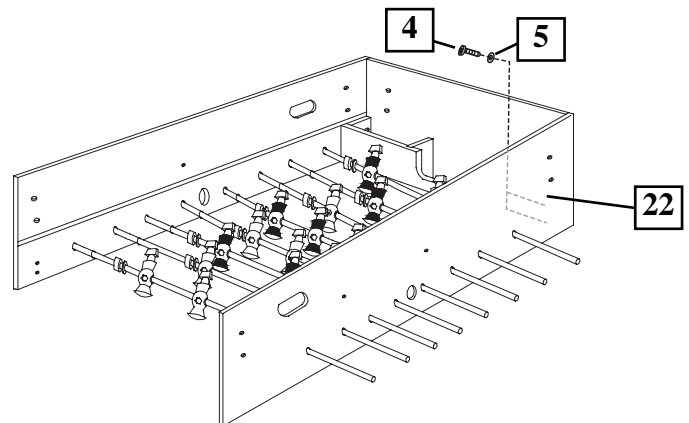


C. Follow the diagram and insert the player rods (14, 15, 16, 17, 18, & 19) through the designated holes in the side panel (22).

IMPORTANT: Make sure the small hole in the end of the rods (17, 18, and 19) are through the side panel

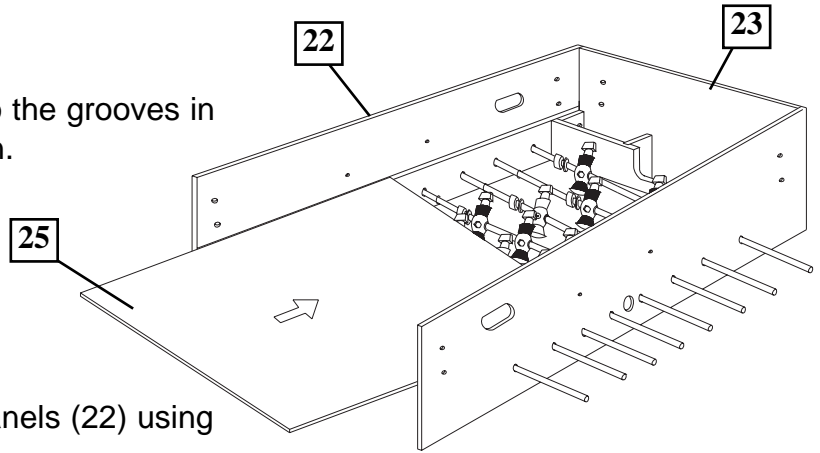


D. Slide the other ends of the player rods through the other side panel (22) and attach to the end panel (23) using the leg bolt (#4) and leg washer (#5).



2.

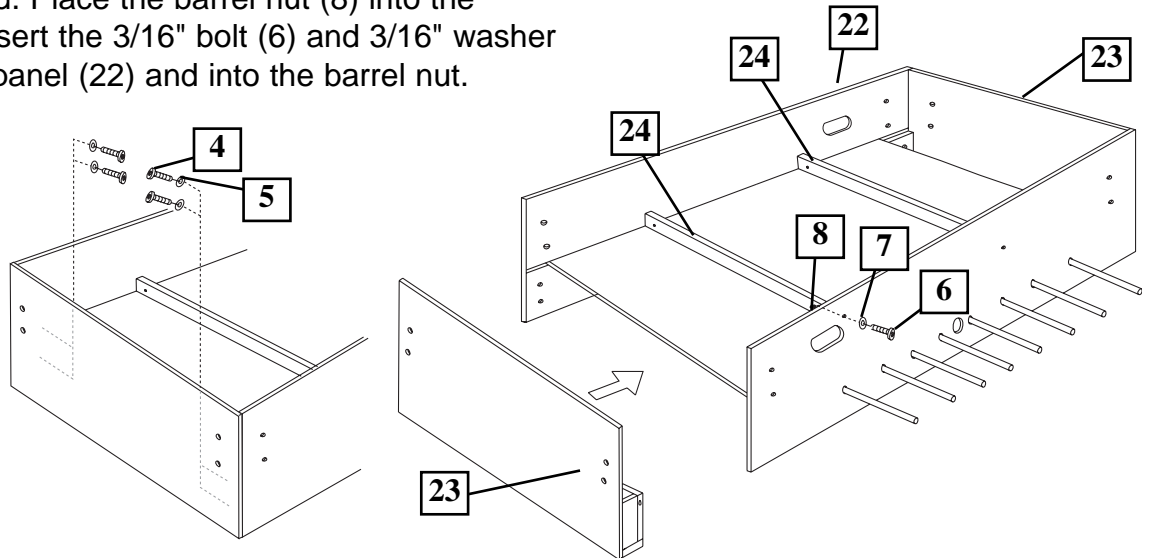
- A. Slide the playfield (25) **UPSIDE DOWN** into the grooves in the side (22) and end (23) panels as shown.



- B. Affix the other end panel (23) to the side panels (22) using leg bolt (4) and leg washer (5).

IMPORTANT: Make sure the playfield is resting in the grooves in ALL panels.

Secure the playfield by placing the playfield support braces (24) onto the playfield. Place the barrel nut (8) into the support brace and insert the 3/16" bolt (6) and 3/16" washer (7) through the side panel (22) and into the barrel nut.

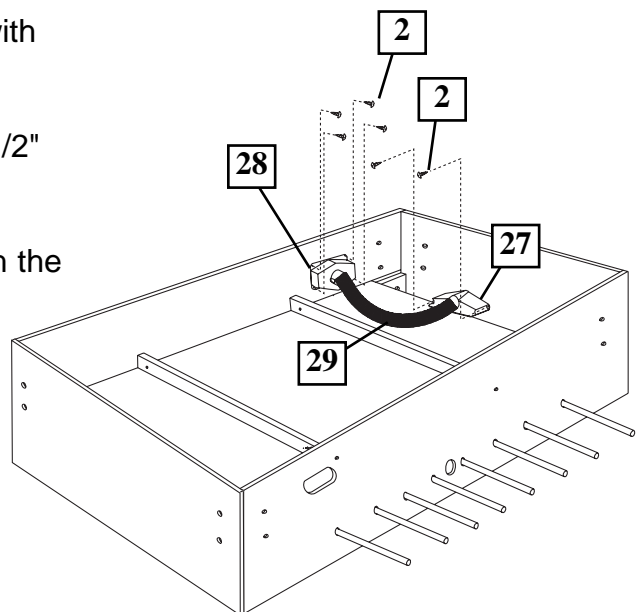


- C. Affix the plastic ball catcher (28) to the side panel (22) with the 1/2" round head screw (2).

Affix the plastic goal box (27) to the end panel with the 1/2" round head screw (2).

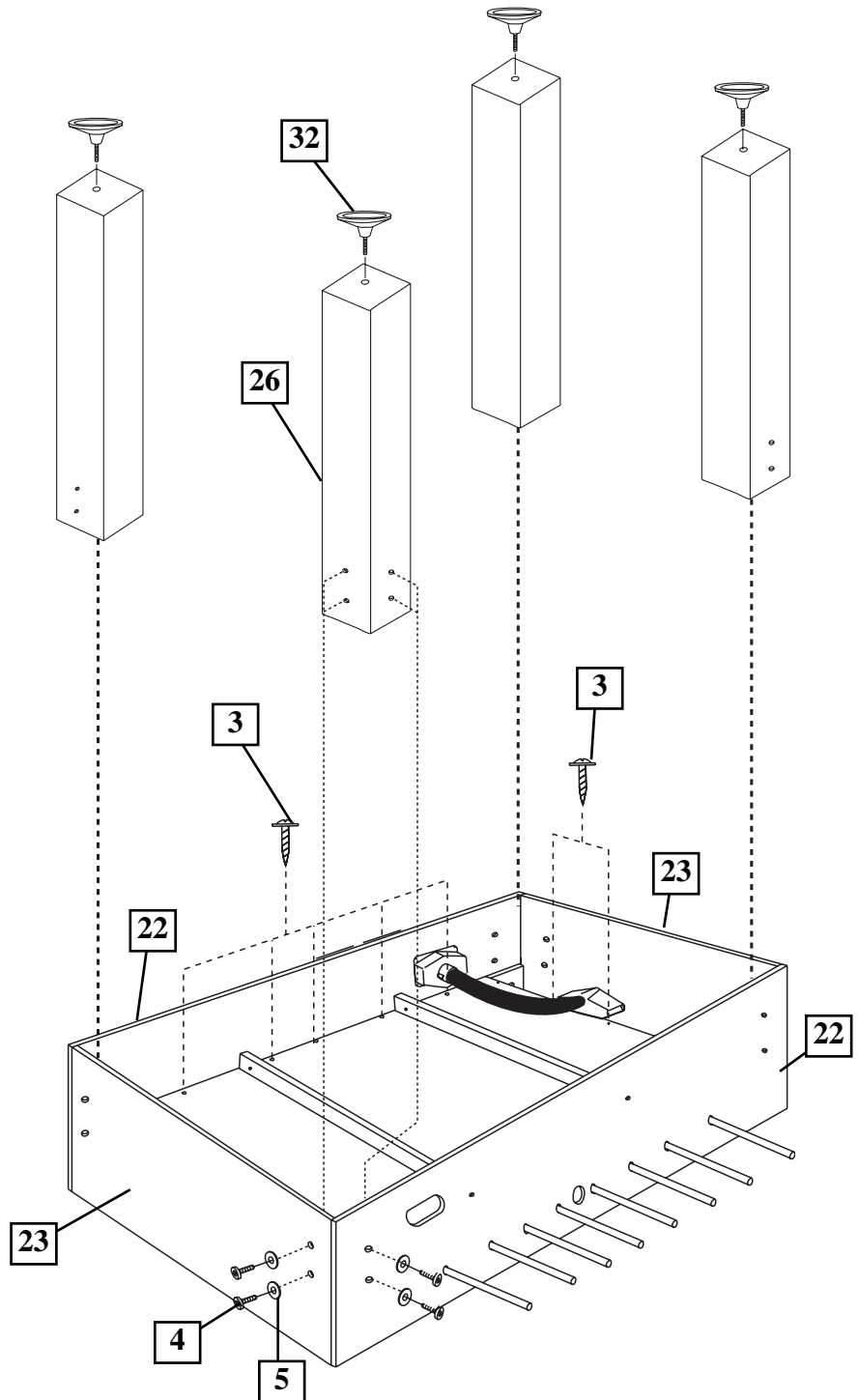
Connect the plastic ball catcher and plastic goal box with the ball runner (29).

* Repeat for opposite corner



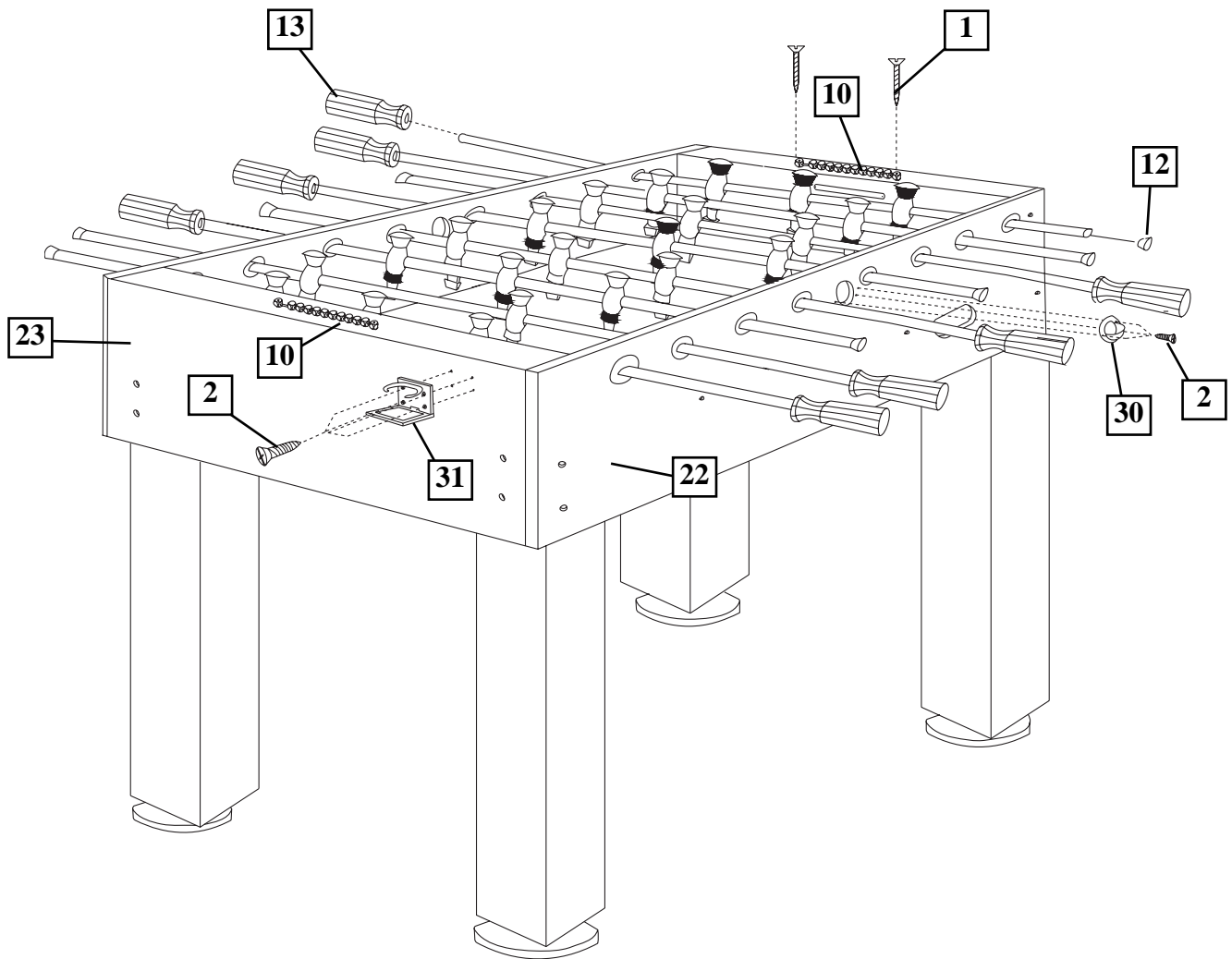
3. A. Attach the legs (26) to the side (22) and end (23) panels with the leg bolt (4) and leg washer (5). Screw the 3/4" round head screw (3) into the playfield in the pre-drilled holes near the goal.

B. Screw the leg levelers (32) into the bottom of the legs.



4.

- A. CAREFULLY flip the table over. Attach the drink holders (31) to the end panels (23) with 1/2" round-head screw (2).
- B. Attach the slide scorer (10) to the top rail of both end panels by inserting the 1/8" flat-head screw (1) through the pre-drilled holes.
- C. Slide the handles (13) onto the ends of the player rods with the small holes in the end. Slide the rod caps (12) onto the player rods opposite the handles.
- D. Insert the ball entry cups (30) into the circular holes in the side panel (22) and secure with the 1/2" round-head screw (2).



Free Manuals Download Website

<http://myh66.com>

<http://usermanuals.us>

<http://www.somanuals.com>

<http://www.4manuals.cc>

<http://www.manual-lib.com>

<http://www.404manual.com>

<http://www.luxmanual.com>

<http://aubethermostatmanual.com>

Golf course search by state

<http://golfingnear.com>

Email search by domain

<http://emailbydomain.com>

Auto manuals search

<http://auto.somanuals.com>

TV manuals search

<http://tv.somanuals.com>