

Flush Mount Temp/Speed Gauge

530501-1_B

Thank You

Thank you for choosing Humminbird®, America's #1 name in fishfinders. Humminbird® has built its reputation by designing and manufacturing top-quality, thoroughly reliable marine equipment. Genuine Humminbird® accessories offer the opportunity to upgrade and expand the capabilities of your Humminbird® product.

Your Humminbird® is designed for trouble-free use in even the harshest marine environment. In the unlikely event that your Humminbird® does require repairs, we offer an exclusive Service Policy - free of charge during the first year after purchase, and available at a reasonable rate after the one-year period. For complete details, see the Warranty section included in this manual.

Contact our Customer Resource Center at either **1-800-633-1468** or visit our website at www.humminbird.com.

Installation Overview

Following are instructions for the installation of this accessory. Before you start installation, we encourage you to read these instructions carefully in order to get the full benefit from your Humminbird® accessory.

If you find that any items are missing from your installation kit, call our Customer Resource Center at **1-800-633-1468** or visit our website at www.humminbird.com.

NOTE: This accessory requires drilling a hole in the hull of the boat; therefore, installation should be performed by a qualified marine technician.

In addition to the hardware supplied with your accessory, you will need a drill, a small drill bit for a pilot hole, a 2" hole saw, a level, and marine-grade silicone sealant.

Installation

Perform the procedures in the following sections to install the Temp/Speed Gauge on your boat.

1. Testing the Temp/Speed Gauge Prior to Installation

Prior to installation, test the Temp/Speed Gauge to make sure that no damage occurred during shipping.

1. After connecting the temp/speed gauge to the control head, hold the gauge in the water over the side of the boat to confirm proper operation. If the gauge is working properly, the control head will begin displaying water temperature immediately.

2. Locating the Temp/Speed Gauge Mounting Position

You must first determine the best location on the transom to install the Temp/Speed Gauge. It is very important to locate the gauge in an area that is relatively free of turbulent water, constantly submerged, and positioned to allow you to trailer the boat without damaging the gauge.

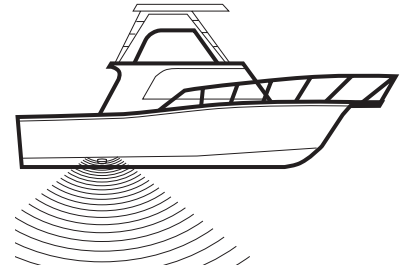
The best location will be aft midship, as close to the centerline of the boat as possible. The gauge should be mounted forward of the prop(s) on inboard boats, and separate from other transducers, strakes, rivets, ribs, or other protrusions.

Inside the boat, there must be room to access the mounting location for installation and cable routing. Notice that the Temp/Speed Gauge is removable from the threaded housing - adequate overhead space must be available to remove this insert.

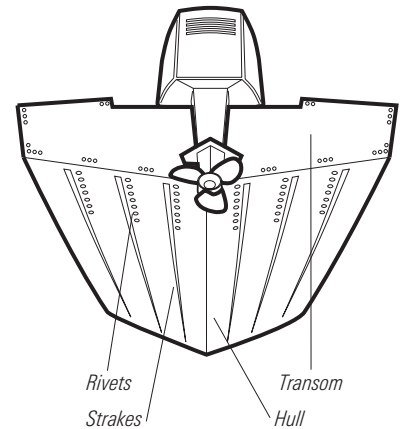
3. Attaching the Temp/Speed Gauge

1. From the outside of the hull, drill a small pilot hole (smaller than the centering bit of your drill bit or hole saw), at the mounting location you selected in procedure 2.
2. Use the pilot hole (from the outside of the hull) to drill a 2" hole.
3. Thoroughly clean and deburr the drilled hole and clean the outside of the hull.
4. Disassemble the temp/speed gauge and wing nut from the threaded housing.

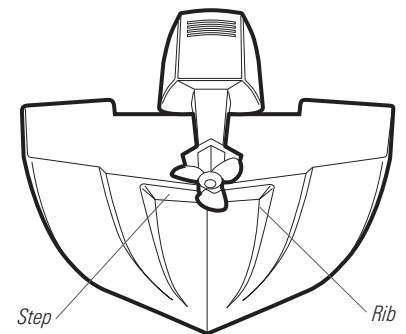
Thru-Hull Installation



Areas of Possible Turbulence



Stepped Hull



Flush Mount Temp/Speed Gauge

5. Apply a generous amount of marine-grade silicone sealant inside the drilled hole and along the mating surfaces of the threaded housing.
6. Insert the threaded housing through the drilled hole with the clevis pin holes oriented with the length of the boat.
7. Slide the wing nut over the threaded housing, then Hand Tighten the wing nut ONLY until the assembly is firmly seated, then tighten NO MORE than 1/8 of an additional turn. Make sure that the orientation of the clevis pin holes have not changed.

CAUTION: To avoid damage, do not overtighten the wing nut. If the hull is wood, it will swell when wet.

NOTE: Remove the excess marine-grade silicone sealant from the outside of the hull to ensure smooth water flow over the temp/speed gauge. Allow the sealant to dry according to the sealant manufacturer's recommendation before using your boat. Then, check for leaks over the next 24 hours, and re-install the temp/speed gauge if necessary.

8. Slide two of the O-Rings over the gauge body and seat them into each groove. Lubricate the O-Rings and the inside of the threaded housing. Orient the gauge so that the arrow on the flange points forward, and slide the gauge fully into the threaded housing.
9. Insert the clevis pin through the holes in the threaded housing and gauge. Insert the ring clip through the hole on the clevis pin.
10. Loop the chain around the cable coming from the gauge, and secure each end into the slots on the wing nut.

4. Routing the Cable

The temp/speed gauge cable must be routed to the point where the control head is mounted.

NOTE: Your boat may have a pre-existing wiring channel or conduit that you can use for the cable.

CAUTION! Do not cut or shorten the cable, and try not to damage the cable insulation. Route the cable as far as possible from any VHF radio antenna cables or tachometer cables to reduce the possibility of interference. If the cable is too short, extension cables are available to extend the cable up to a total of 50'. For assistance, contact the Customer Resource Center at www.humminbird.com or call 1-800-633-1468 for more information.

1. Route and secure the cable, avoiding areas where it may be damaged or interfere with normal boating operations.

5. Connecting the Cable

Insert the temp/speed gauge cable into the appropriate terminal slot. The cable connectors are labeled, and there are corresponding labels on the cable holder on the rear of the control head. The slots are keyed to prevent reversed installation, so be careful not to force the connector into the holder.

Your Temp/Speed Gauge is now ready for operation.

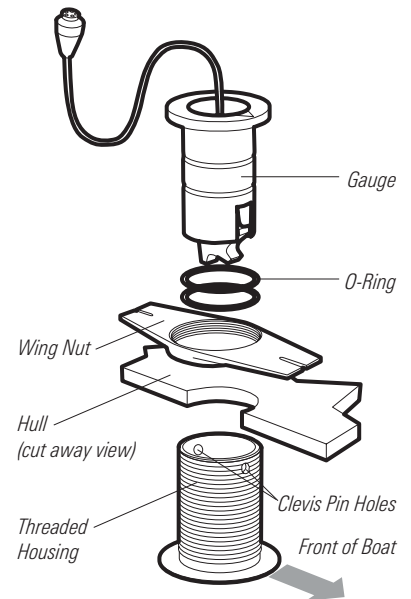
Removing the Temp/Speed Gauge

Use the steps below to remove the Temp/Speed Gauge from your boat.

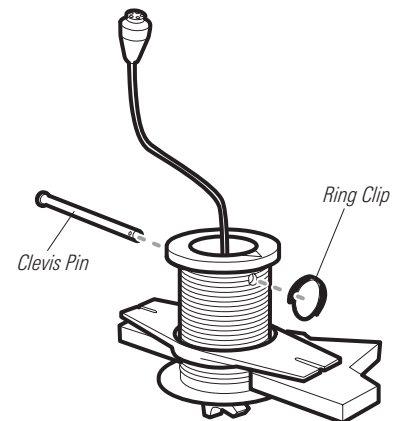
1. Carefully disconnect the temp/speed gauge cable from the control head.
2. Disassemble the temp/speed gauge and wing nut from the threaded housing.
3. Slide two of the O-Rings over the plug (included) and seat them into each groove of the plug body. Lubricate the O-Rings and the inside of the threaded housing. Orient the plug so that the arrow on the flange points forward, and slide the plug fully into the threaded housing.
4. Insert the clevis pin through the holes in the threaded housing and plug. Insert the ring clip through the hole in the clevis pin.

For assistance, contact the Customer Resource Center at www.humminbird.com or call 1-800-633-1468 for more information.

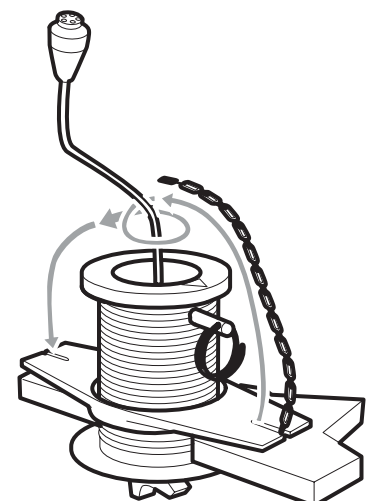
Assembling the Gauge



Inserting the Pin and Ring Clip



Securing the Wing Nut



Flush Mount Temp/Speed Gauge

530501-1_B

Maintenance

If your boat remains in the water for long periods of time, algae and other marine growth can reduce the effectiveness of the Temp/Speed Accessory. Periodically clean the face of the Temp/Speed Accessory with hot water.

If your boat remains out of the water for a long period of time, it may take some time to wet the Temp/Speed Accessory after it is returned to the water. Small air bubbles can cling to the surface of the gauge and interfere with proper operation. These bubbles will dissipate with time, or you may wipe the face of the Temp/Speed Accessory with your fingers after the gauge is in the water.

1-Year Limited Warranty

We warrant the original retail purchaser that products made by Humminbird® have been manufactured free from defects in materials and workmanship. This warranty is effective for one year from the date of original retail purchase. Humminbird® products found to be defective and covered by this warranty will be replaced or repaired free of charge at Humminbird® option and returned to the customer freight prepaid. Humminbird® sole responsibility under this warranty is limited to the repair or replacement of a product that has been deemed defective by Humminbird®. Humminbird® is not responsible for charges connected with the removal of such product or reinstallation of replaced or repaired parts.

This warranty does not apply to a product that has been:

- Improperly installed;
- Used in an installation other than that recommended in the product installation and operation instructions;
- Damaged or has failed because of an accident or abnormal operation;
- Repaired or modified by entities other than Humminbird®.

Please retain your original receipt as a proof of the purchase date. This will be required for in-warranty service.

THIS WARRANTY IS EXPRESSLY IN LIEU OF ANY OTHER WARRANTIES, OBLIGATIONS OR LIABILITIES ON THE PART OF HUMMINBIRD® AND WILL BE THE CUSTOMER'S EXCLUSIVE REMEDY, EXCEPT FOR ANY APPLICABLE IMPLIED WARRANTIES UNDER STATE LAW WHICH ARE HEREBY LIMITED IN DURATION TO ONE YEAR FROM THE DATE OF ORIGINAL PURCHASE. IN NO EVENT WILL HUMMINBIRD® BE LIABLE FOR ANY INCIDENTAL OR CONSEQUENTIAL DAMAGES FOR BREACH OF ANY EXPRESS OR IMPLIED WARRANTY RELATING TO THE PRODUCTS.

Some states do not allow limitations on an implied warranty, or the exclusion of incidental or consequential damages, so the above exclusions may not apply to you. You may also have other rights, which vary from state to state.

Humminbird® Service Policy

Even though you'll probably never need to take advantage of our incredible service policy, it's good to know that we back our products this confidently. We do it because you deserve the best. We will make every effort to repair your unit within three business days from the receipt of your unit at our factory. This does not include shipping time to and from our factory. Units received on Friday are typically shipped by the following Wednesday, units received Monday are typically shipped by Thursday, etc.

All repair work is performed by factory-trained technicians to meet exacting factory specifications. Factory-serviced units go through the same rigorous testing and quality control inspections as new production units.

After the original warranty period, a standard flat rate service charge will be assessed for each repair (physical damage and missing parts are not included). Any repairs made after the original warranty will be warranted for an additional 90 days after service has been performed by our factory technicians. You can contact our Customer Resource Center or visit our website to verify the flat rate repair fee for your product (visit the Product Support section):

<http://www.humminbird.com>

We reserve the right to deem any product unserviceable when replacement parts are no longer available or impossible to obtain. This Service Policy is valid in the United States only. This applies only to Humminbird® products returned to our factory in Eufaula, Alabama. This Service Policy is subject to change without notice.

Flush Mount Temp/Speed Gauge

530501-1_B

Returning Your Unit for Service

Before sending your unit in for repair, please contact the factory, either by phone or by email, to obtain a Repair Authorization Number for your unit. Please have your product model name and serial number available before calling the factory. If you contact the factory by e-mail, please include your product model name and serial number in the e-mail, and use Request for Repair Authorization Number for your e-mail subject header. You should include your Repair Authorization Number in all subsequent communications about your unit.

For IN-WARRANTY service, complete the following steps:

- Obtain a Repair Authorization Number from the Humminbird® Customer Resource Center.
- Tag product with your name, street address, phone number and your assigned Repair Authorization Number.
- Include a brief written description of the problem.
- Include a copy of your receipt (to show proof and date of purchase).
- Return product freight prepaid to Humminbird®, using an insured carrier with delivery confirmation.

For OUT-OF-WARRANTY service, complete the following steps:

- Obtain a Repair Authorization Number from the Humminbird® Customer Resource Center.
- Include payment in the form of credit card number and expiration date, money order or personal check. Please do not send cash.
- Tag product with your name, street address, phone number and your assigned Repair Authorization Number.
- Include a brief written description of the problem.
- Return product freight prepaid to Humminbird®, using an insured carrier with delivery confirmation.

Contact Humminbird®

Contact the Humminbird® Customer Resource Center in any of the following ways:

By Telephone

(Monday - Friday 8:00 a.m. to 4:30 p.m. Central Standard Time):

1-800-633-1468

By e-mail

(typically we respond to your e-mail within three business days):

cservice@johnsonoutdoors.com

For direct shipping, our address is:

**Humminbird
Service Department
678 Humminbird Lane
Eufaula, AL 36027 USA**

WARNING! *Disassembly and repair of this electronic unit should only be performed by authorized service personnel. Any modification of the serial number or attempt to repair the original equipment or accessories by unauthorized individuals will void the warranty.*

Free Manuals Download Website

<http://myh66.com>

<http://usermanuals.us>

<http://www.somanuals.com>

<http://www.4manuals.cc>

<http://www.manual-lib.com>

<http://www.404manual.com>

<http://www.luxmanual.com>

<http://aubethermostatmanual.com>

Golf course search by state

<http://golfingnear.com>

Email search by domain

<http://emailbydomain.com>

Auto manuals search

<http://auto.somanuals.com>

TV manuals search

<http://tv.somanuals.com>