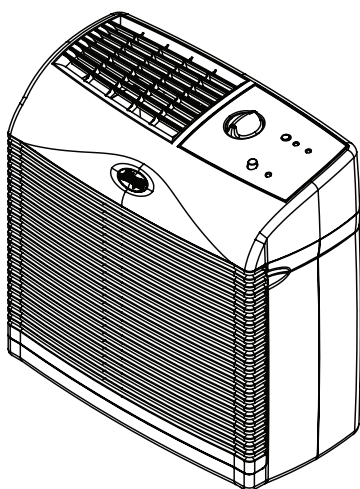


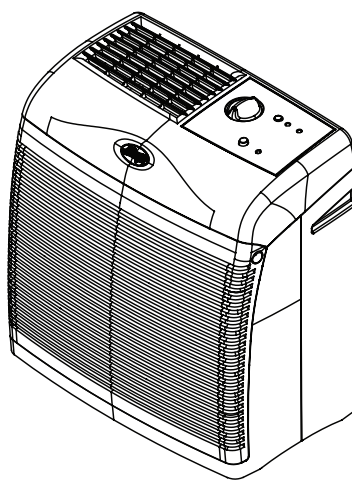
# Hunter<sup>®</sup>

## HEPAtech<sup>®</sup>

### Air Purification System



**Model 30057A, 30061**



**Model 30067A, 30124A**

**ENGLISH**  
Page 2

**ESPAÑOL**  
Página 9

**FRANÇAIS**  
Page 17

Air Purifier Model	HEPAtech <sup>®</sup> Filter	Pre-Filters
30057A, 30061	30928	30901
30067A, 30124A	30928	30901

[www.hunterfan.com](http://www.hunterfan.com)

## IMPORTANT SAFETY INSTRUCTIONS

### READ ALL INSTRUCTIONS BEFORE USING THIS AIR PURIFIER AND SAVE THESE IMPORTANT INSTRUCTIONS

1. This Air Purifier is designed for use on a flat, level surface and may not work properly on an uneven surface. **ALWAYS** place this Air Purifier on a firm, level surface. **ALWAYS place the Air Purifier at least six (6) inches away from walls and heat sources such as stoves, radiators, or heaters.**
2. Place the Air Purifier in an area that is out of the reach of children.
3. Before using the Air Purifier, extend the cord and inspect for any signs of damage. **DO NOT** use the product if the cord has been damaged.
4. This product has a polarized plug (one blade is wider than the other) as a safety feature. This plug will fit into a polarized outlet only one way. If the plug does not fit fully into the outlet, reverse the plug. If it still does not fit, contact a qualified electrician. **DO NOT** attempt to defeat or override this safety feature.
5. **ALWAYS UNPLUG** the Air Purifier when it is not in operation, while the filter is being changed, and while it is being cleaned.
6. **DO NOT** tilt or move the Air Purifier while it is in operation. Shut off and unplug before moving.
7. **DO NOT** immerse the Air Purifier in water as permanent damage will occur. Refer to and follow the **CLEANING AND FILTER REPLACEMENT** instructions.

### Introduction

Thank you for purchasing the HEPAtech® Air Purification System from Hunter Fan Company. You have purchased our latest development in portable Air Purification Systems. This system has been developed to improve the quality of the air you breathe.

Our HEPAtech® Air Purification System out performs other air purification systems by quickly and effectively removing dust, smoke, and pollen particles as small as .1 microns in size. Room air is pulled in through the front grill and cleaned across the HEPAtech® filter. Clean air is then released out the top grill in order to avoid stirring up settled particles.

### Using the Ionizer

Using the ionizer improves the quality of air in the room. Negative ions are released into the air and positively charged dust, smoke, and pollen particles are attracted to the negative ions. These particles settle out of the air and can be vacuumed up during normal cleaning. These particles are also more easily captured by the HEPAtech® filter as they pass through the HEPAtech® Air Purification System. To ensure the best air circulation in the room, we recommend that you place your air purifier six inches away from any walls.

## Setting Up Your Air Purifier

1. Remove your air purifier from the box and take it out of the clear plastic protective bag.
2. Place your HEPAtch® Air Purifier on a firm, flat floor.
3. Before turning the Air Purifier 'on,' open the front grill.
  - **For Model 30057A, 30061:** To release the front grill, press the buttons on the side until the front grill slides easily over the buttons. (Refer to Figure 1.)
  - **For Model 30067A, 30124A:** To release the front grill, place your fingers behind the tabs and pull forward. (Refer to Figure 2.)
4. Next, check the HEPAtch® filter by pressing firmly on all four corners of the filter to ensure that it is fully inserted into the filter opening.
5. The carbon pre-filter is mounted inside of the front grill with "hook" tape. Confirm that it covers the grill vents. (Refer to Figure 3.)
6. Place the filter installation reminder sticker on the inside edge of the front grill. Circle the month and write the year of installation for the pre-filter and HEPAtch® filter.
7. Replace the filter and front grill. Be sure that the bottom grill tabs are in position first, and then push the top of the grill forward until it is closed. The unit is now ready for normal operation. **NOTE:** This unit will not operate unless the door is placed in the correct position.
8. Plug the unit into a 120V electrical outlet.

### AIR PURIFIER PARTS

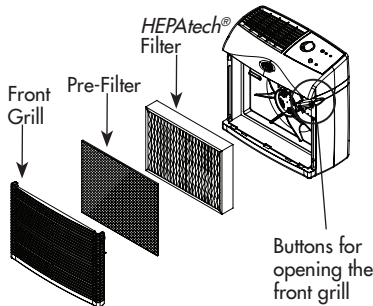


Figure 1 - Model 30057A, 30061

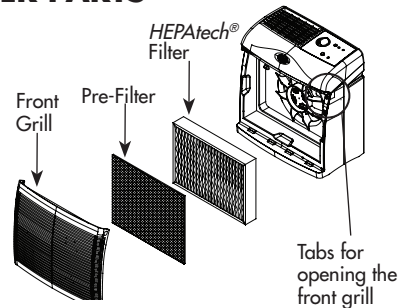


Figure 2 - Model 30067A, 30124A

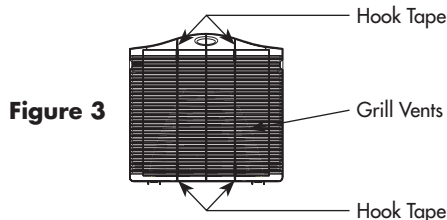


Figure 3

## Operating Your Air Purifier

**On/Speed Control:** Rotate the Speed Control knob to set the desired speed. A setting of zero (0) indicates that the unit is off, one (1) is low speed, two (2) is medium speed, and three (3) is high speed. The fan speed can be adjusted at any time.

**Ionizer:** Press this button to turn 'on' the ionizer. When the ionizer is 'on', the green light near the button will be illuminated.

## Pre-Filter and Filter Timers

This air purifier contains timers that indicate when the pre-filter and filter should be changed. The timer automatically counts the number of hours that each filter has been in use. When the pre-filter counter reaches 1400 hours (approximately three months of use), the pre-filter indicator will be lit to show that the pre-filter should be changed. When the HEPAtch® filter counter reaches 2800 hours (approximately four to six months of use), the HEPAtch® filter indicator will be lit to indicate that the filter should be changed. The exact life of the pre-filter and filter will depend upon the environment. If necessary, the filters should be changed more frequently.

### **To reset the pre-filter or filter timers when one indicator (or both) is lit:**

1. Change the filter and/or pre-filter as described in the Maintenance section of the manual.
2. To reset the counter to zero hours and turn off the indicator, simply press and hold the filter reset key for three seconds. If both the pre-filter and filter indicators are lit, the reset key will first turn off the pre-filter indicator. Then, you must release the reset key and then press and hold the filter reset key again for three seconds to turn off the filter indicator.

### **To reset the pre-filter or filter timers before the indicators are lit:**

In some environments, you may want to change the pre-filter or filter more frequently than indicated by the filter indicators. This procedure allows you to reset the pre-filter or filter counter before the indicators are lit.

1. Change the filter and/or pre-filter as described in the Maintenance section of the manual.
2. Now, you must choose which timer you want to reset. Press and hold the filter reset key (approximately three seconds) until the pre-filter indicator flashes. Press the reset key again to alternate between the two indicators. The timer that will be reset is designated by the flashing indicator.
3. Once you have the correct indicator flashing, press and hold the reset key for three seconds to reset that timer to zero hours. The indicator will stop flashing when it has been reset. If needed, repeat these steps to reset the other timer.

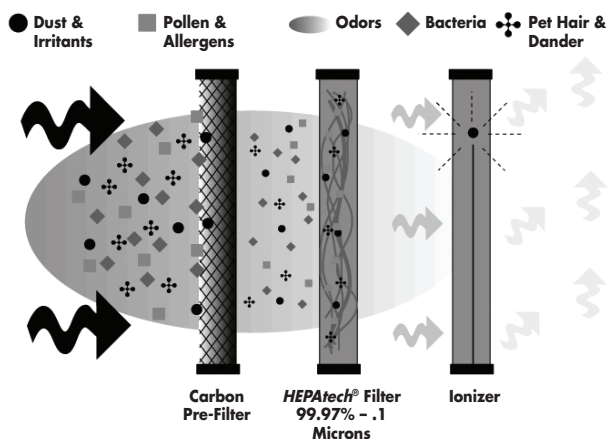
## Cleaning and Filter Replacement

1. Clean the outside of the unit with a soft, damp cloth. The front grill can be removed and cleaned in soapy water. Remove the pre-filter before cleaning the front grill.
2. **At least every 90 days, replace the carbon pre-filter.** This is necessary to maintain proper odor removing and overall filtration performance. If necessary, it can be changed more often. Mark the new filter installation sticker included with the new carbon pre-filter. **Be sure to remove any plastic wrapping that may be on the new filter before you place it in the Air Purifier.**
3. While replacing the pre-filter, you should view the condition of the HEPAtch® Filter. Compare the filter to the color coded chart that is on the inside of the housing. If the filter matches the dark color on the chart, you should remove the filter and replace it with a new filter. Mark the new filter installation sticker included with the new HEPAtch® Filter. **Depending on use and environment, the HEPAtch® Filter should last four to six months.**
4. Gently pull on the filter to remove it from the unit. While removing the filter, note the directional arrows printed on the top of the filter. The new filter will be installed with the same orientation. Once removed, the used filter can be discarded.
5. Remove the new filter from its wrapping and look at the directional arrows printed on the side of the filter. Install the filter with arrows pointing towards the unit. Press the filter firmly into the air purifier. To avoid damaging the filter media, you should press on the frame of the filter only.
6. If you notice a decrease in air output or an increase in noise, the HEPAtch® Filter may be clogged. Replace it with a new HEPAtch® Filter.

## Replacement Filters

To obtain a replacement filter for your Air Purifier, call 1-800-4Hunter for your nearest retailer or Hunter Customer Service at (US) 1-888-830-1326, (Canada) 1-866-268-1936. Please be prepared to tell the operator the model number of your Air Purifier and the model number of the filter you need to replace. Visit our website at [www.hunterfan.com](http://www.hunterfan.com).

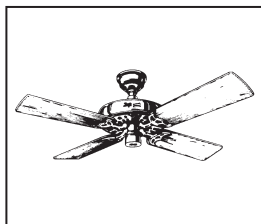
Hunter Air Purifier Model No.:	30057A	30067A,	30061
	30124A		
Pre-Filter Replacement Model No.:	30901	30901	30901
HEPAtch® Filter Replacement Model No.:	30928	30928	30928



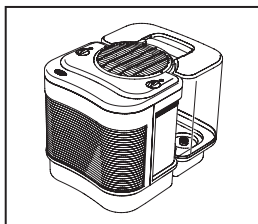
## How the HEPAtech® Air Purification System Works

As the air is pulled into the purifier, the activated carbon pre-filter absorbs odors and catches large particles. Then, the air travels through the HEPAtech® filter where the smaller particles are collected. Then, the ionizer releases negative ions into the air that attract positively charged dust, smoke, and pollen particles. Finally, the clean, purified air is released back into the room.

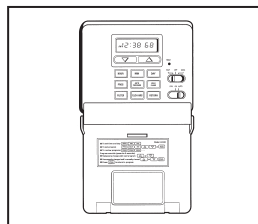
## Other Home Comfort Products from Hunter



Hunter Original®



The Care-Free  
Humidifier™



Programmable  
Thermostat

To learn more about Hunter Fan Company products,  
please see our Web page at:

[www.hunterfan.com](http://www.hunterfan.com)

## Hunter Fan Company HEPAtech™ Air Purification System 5 YEAR LIMITED WARRANTY

The Hunter Fan Company makes the following limited warranty to the original residential user or consumer purchaser of the HEPAtch™ Air Purification System:

If any part of your HEPAtch™ Air Purification System (“Air Purifier”) motor fails during the first five (5) years from the date of installation due to a defect in material or workmanship, we will provide a replacement Air Purifier free of charge. Installation is deemed to occur at the date of purchase.

If the Air Purifier cord, ionizer, or front grill fails any time within one (1) year after installation due to a defect in material or workmanship, we will replace or, at our option, repair the unit free of charge at our nearest service center or at our Service Department in Memphis, Tennessee. You will be responsible for all parts and labor costs after this one-year period.

IF THE ORIGINAL RESIDENTIAL USER OR CONSUMER PURCHASER CEASES TO OWN THE AIR PURIFIER, THIS WARRANTY AND ANY IMPLIED WARRANTY WHICH THEN REMAINS IN EFFECT, INCLUDING BUT NOT LIMITED TO ANY IMPLIED WARRANTY OF MERCHANTABILITY OR FITNESS FOR A PARTICULAR PURPOSE, ARE VOIDED.

NO WARRANTY, EXPRESSED OR IMPLIED, INCLUDING ANY WARRANTY OF MERCHANTABILITY OR FITNESS FOR A PARTICULAR PURPOSE, IS MADE IN RESPECT TO THE FILTER MATERIAL OR CARBON FILTER.

THIS WARRANTY IS IN LIEU OF ALL OTHER EXPRESS WARRANTIES. THE DURATION OF ANY IMPLIED WARRANTY, INCLUDING BUT NOT LIMITED TO ANY IMPLIED WARRANTY OF MERCHANTABILITY OR FITNESS FOR A PARTICULAR PURPOSE, IN RESPECT TO THE MOTOR IS EXPRESSLY LIMITED TO THE PERIOD OF THE EXPRESS WARRANTY SET FORTH ABOVE.

This warranty is voided if the air purifier is not purchased and used in the USA or Canada.

This warranty excludes and does not cover defects, malfunctions or failures of the Air Purifier which were caused by repairs by persons not authorized by us, use of parts or accessories not authorized by us, mishandling, modifications, or damage to the Air Purifier while in your possession, or unreasonable use, including failure to provide reasonable and necessary maintenance. This warranty does not cover Air Purifiers used in commercial applications. There are no express or implied warranties as to commercial purchasers or users.

To obtain service, contact the nearest Hunter authorized service center or the Hunter Fan Company Service Department, 7130 Goodlett Farms Pkwy Suite 400, Memphis, Tennessee 38016, 1-888-830-1326. For the name of our nearest authorized Hunter Fan Company Service Center, write to the Hunter Fan Company at the preceding address. You will be responsible for insurance and freight or other transportation to our factory service center. We will return the Air Purifier freight prepaid. The Air Purifier should be properly packaged to avoid damage in transit since we will not be responsible for any such damage. Proof of purchase is required when requesting warranty service. The purchaser must present sales receipt or other document that establishes proof of purchase.

(Continued)

IN NO EVENT SHALL HUNTER FAN COMPANY BE LIABLE FOR DIRECT, INDIRECT, SPECIAL CONSEQUENTIAL OR INCIDENTAL DAMAGES IN EXCESS OF THE PURCHASE PRICE OF THE AIR PURIFIER. YOUR SOLE REMEDY WILL BE REPAIR OR REPLACEMENT AS PROVIDED ABOVE.

SOME AMERICAN STATES AND CANADIAN PROVINCES DO NOT ALLOW LIMITATIONS ON HOW LONG AN IMPLIED WARRANTY LASTS, SO THE ABOVE LIMITATION MAY NOT APPLY TO YOU.

SOME AMERICAN STATES AND CANADIAN PROVINCES DO NOT ALLOW THE EXCLUSION OR LIMITATION OF DIRECT, INDIRECT SPECIAL, INCIDENTAL OR CONSEQUENTIAL DAMAGES, SO THE ABOVE LIMITATION MAY NOT APPLY TO YOU.

SOME AMERICAN STATES AND CANADIAN PROVINCES DO NOT ALLOW THE EXCLUSION OR INVALIDITY OF EXPRESS OR IMPLIED WARRANTIES IF THE USER CEASES TO OWN THE AIR PURIFIER, SO THE ABOVE LIMITATION MAY NOT APPLY TO YOU.

THIS WARRANTY GIVES YOU SPECIFIC LEGAL RIGHTS, AND YOU MAY ALSO HAVE OTHER RIGHTS WHICH VARY FROM STATE TO STATE OR PROVINCE TO PROVINCE.

*Hunter*

Hunter Fan Company  
2500 Frisco Avenue  
Memphis, Tennessee 38114  
USA

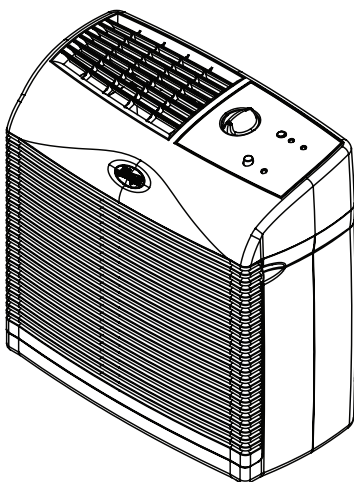
Printed in China & Taiwan



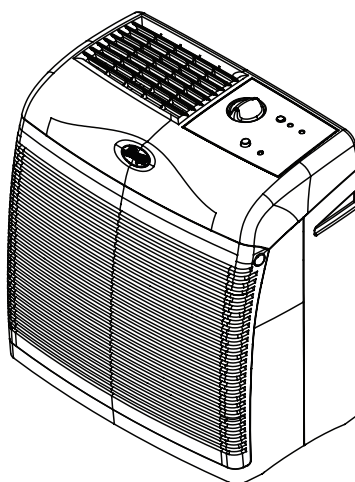
# Hunter<sup>®</sup> HEPAtech<sup>®</sup>

9

Sistema de  
purificación de aire



**Modelos 30057A, 30061**



**Modelos 30067A, 30124A**

ESPAÑOL

Modelo de purificador de aire	Filtro HEPAtech <sup>®</sup>	Pre-Filtros
30057A, 30061	30928	30901
30067A, 30124A	30928	30901

[www.hunterfan.com](http://www.hunterfan.com)

## INSTRUCCIONES IMPORTANTES DE SEGURIDAD

### LEA TODAS LAS INSTRUCCIONES ANTES DE USAR ESTE PURIFICADOR DE AIRE Y CONSÉRVELAS

1. Este purificador de aire puede que no funcione correctamente si se instala sobre una superficie que no esté nivelada. **SIEMPRE** coloque este purificador de aire sobre una superficie firme y nivelada. **SIEMPRE coloque el purificador de aire a una distancia de por lo menos seis (6) pulgadas (15 cm) de las paredes y de las fuentes de calor tales como estufas, radiadores o calentadores.**
2. Coloque el purificador de aire en un área que esté fuera del alcance de los niños.
3. Antes de usar el purificador de aire, extienda el cordón eléctrico e inspecciónelo para ver si está dañado. **NO** use el producto si el cordón está dañado.
4. Este producto tiene un enchufe polarizado (una hoja es más ancha que la otra) como una medida de seguridad. Este enchufe solamente entrará de una manera en un tomacorriente polarizado. Si el enchufe no entra completamente en el tomacorriente, invierta el enchufe. Si todavía no es posible enchufarlo completamente, llame a un electricista calificado. **NO** trate de eliminar ni anular esta característica de seguridad.
5. **SIEMPRE DESENCHUFE** el purificador de aire cuando no esté en operación, mientras se cambia el filtro o mientras se esté limpiando.
6. **NO** incline ni mueva el purificador de aire mientras esté en operación. Apáguelo y desenchúfelo antes de moverlo.
7. **NO** sumerja el purificador de aire en agua, ya que podrá dañarlo permanentemente. Consulte y siga todas las instrucciones relacionadas con la **LIMPIEZA Y EL CAMBIO DE FILTRO.**

ESPAÑOL

## Introducción

Muchas gracias por comprar el sistema de purificación de aire HEPAtech® de Hunter Fan Company. Ha comprado el más moderno sistema portátil de purificación de aire. Este sistema ha sido desarrollado para mejorar la calidad del aire que respira.

Su sistema de purificación de aire HEPAtech® rinde más que otros sistemas de purificación de aire al remover el polvo, humo y partículas de polen de tamaño tan pequeño como 0,1 micrones. El aire de la habitación entra a través de la rejilla del frente y se purifica al pasar a través del prefiltro de espuma del sistema HEPAtech®. El aire ya purificado sale entonces a través de la rejilla superior para evitar la agitación de las partículas que se habían depositado.

## Uso del ionizador

El uso del ionizador mejora la calidad del aire en la habitación. Se expulsan iones negativos en el aire y las partículas cargadas positivamente son entonces atraídas a los iones negativos. Estas partículas se depositan fuera del aire y se pueden aspirar durante una limpieza normal. Estas partículas también se pueden atrapar más fácilmente en el filtro del sistema HEPAtech® a medida que pasan a través de dicho sistema de purificación de aire. Para asegurar la mejor circulación de aire en la habitación, recomendamos que coloque su purificador de aire a una distancia no menor de 6 pulgadas (15 cm) de cualquier pared.

## Configuración de su purificador de aire

1. Retire el purificador de la caja y sáquelo de la bolsa plástica protectora.
2. Coloque su purificador de aire HEPAtech® en un piso firme y plano.
3. Antes de poner en funcionamiento el purificador, abra la rejilla delantera.
  - **Para los modelos 30057A, 30061:** Para aflojar la rejilla delantera, presione los botones en la parte lateral hasta que la rejilla delantera se deslice fácilmente sobre ellos. (Consulte la Figura 1.)
  - **Para los modelos 30067A y 30124A:** Para soltar la rejilla delantera, coloque sus dedos detrás de las pestañas y tire hacia adelante. (Consulte la Figura 2.)
4. A continuación, inspeccione el filtro HEPAtech® oprimiendo firmemente sobre todas las cuatro esquinas del filtro para asegurar que esté insertado completamente dentro de la abertura del filtro.
5. El pre-filtro de carbón está montado dentro de la rejilla delantera con cinta tipo "gancho". Asegúrese que cubra los conductos de ventilación de la rejilla. (Consulte la Figura 3.)
6. Coloque la calcomanía recordatoria de la instalación del filtro en el borde interior de la rejilla delantera. Encierre el mes en un círculo y escriba el año de instalación para el pre-filtro y el filtro HEPAtech®.
7. Coloque nuevamente el filtro y la rejilla delantera. Asegúrese que las lengüetas inferiores de la rejilla estén en su posición primero y luego empuje la parte superior de la rejilla hacia adelante hasta que la unidad esté cerrada. Ahora la unidad está lista para operación normal. **NOTA:** Esta unidad no funcionará a menos que la puerta esté colocada en su posición correcta.
8. Conecte la unidad en un tomacorriente de 120 V.

ESPAÑOL

### PARTES DEL PURIFICADOR DE AIRE

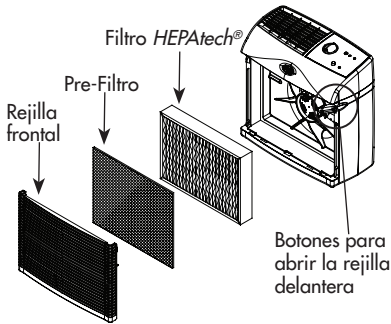


Figura 1 - Modelo 30057A, 30061

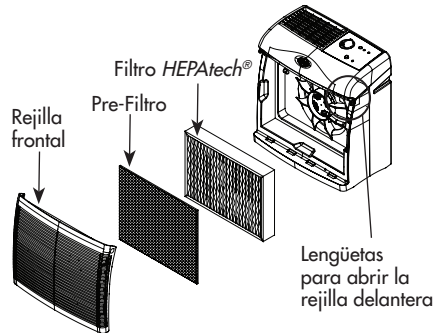


Figura 2 - Modelo 30067A, 30124A

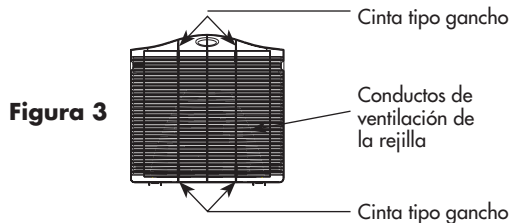


Figura 3

## Operación de su purificador de aire

**Control de encendido/velocidad:** Gire la perilla de control de velocidad para fijar la velocidad deseada. Un ajuste de cero (0) indica que la unidad está apagada, uno (1) es velocidad baja, dos (2) velocidad media y tres (3) velocidad alta. La velocidad del ventilador puede ajustarse en cualquier momento.

**Ionizador:** Para encender (on) el ionizador, oprima el interruptor. La luz verde se iluminará cuando se haya aplicado la energía eléctrica.

## Pre-filtro y temporizadores de filtro

Este purificador de aire contiene temporizadores que indican cuando el pre-filtro y el filtro deben cambiarse. El temporizador cuenta automáticamente el número de horas que cada filtro ha estado en uso. Cuando el contador del pre-filtro alcance 1400 horas (aproximadamente tres meses de uso), el indicador del pre-filtro se encenderá para mostrar que el pre-filtro debe cambiarse. Cuando el contador del filtro HEPAtech® alcance 2800 horas (aproximadamente tres meses de uso), el indicador del filtro HEPAtech® se encenderá para mostrar que el filtro debe cambiarse. La vida exacta del pre-filtro y el filtro dependerán del ambiente. Si es necesario, los filtros deben cambiarse con más frecuencia.

### Para restablecer los temporizadores del pre-filtro o del filtro cuando un indicador (o ambos) está encendido:

1. Cambie el filtro y/o pre-filtro como se describe en la sección Mantenimiento del manual.
2. Para restablecer el contador a cero y apagar el indicador, simplemente presione y mantenga presionada la tecla Reset del filtro por tres segundos. Si están encendidos los indicadores del pre-filtro y del filtro, la tecla Reset apagará primero el indicador del pre-filtro. Luego, libere la tecla Reset y después presiónela y manténgala presionada otra vez por tres segundos para apagar el indicador del filtro.

### Para restablecer los temporizadores del pre-filtro o el filtro antes de que los indicadores estén encendidos:

En algunos ambientes, puede desear cambiar el pre-filtro o filtro con más frecuencia que la indicada por los indicadores. Este procedimiento le permite restablecer el contador del pre-filtro o filtro antes de que se enciendan los indicadores.

1. Cambie el filtro y/o pre-filtro como se describe en la sección Mantenimiento del manual.
2. Ahora debe elegir el temporizador que desea restablecer. Presione y mantenga presionada la tecla Reset del filtro (aproximadamente tres segundos) hasta que el indicador del pre-filtro destelle. Presione otra vez la tecla Reset para alternar entre los dos indicadores. El temporizador que será restablecido está señalado por el indicador que destella.
3. Luego de que el indicador correcto esté destellando, presione y mantenga presionada la tecla Reset por tres segundos para restablecer dicho temporizador a cero. El indicador dejará de destellar cuando haya sido restablecido. Si es necesario, repita estos pasos para restablecer el otro temporizador.

## Forma de limpiar y cambiar el filtro

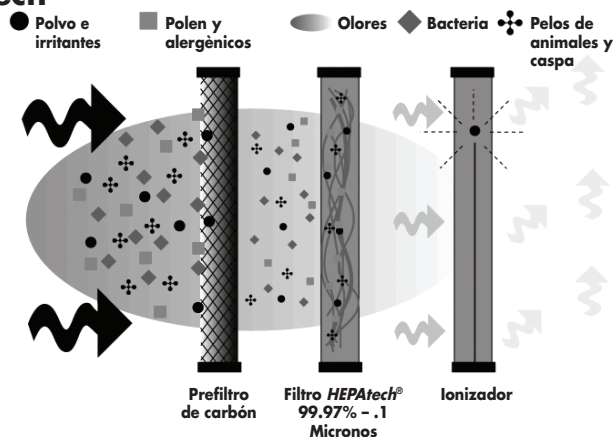
1. Limpie la parte externa de la unidad con un paño suave y húmedo. La rejilla delantera puede retirarse y limpiarse con agua jabonosa. Retire el pre-filtro antes de limpiar la rejilla delantera.
2. **Reemplace el pre-filtro de carbón al menos cada 90 días.** Esto es necesario para mantener una adecuada eliminación de los olores y el rendimiento general de filtrado. Si es necesario, puede cambiarse con mayor frecuencia. Marque la calcomanía de instalación del nuevo filtro incluida con el nuevo pre-filtro de carbón. **Asegúrese de retirar cualquier envoltura plástica que pueda haber en el nuevo filtro antes de colocarlo en el purificador.**
3. Al reemplazar el pre-filtro, debe verificar el estado del filtro HEPAtech®. Compare el filtro con el código de color dentro de la carcasa. Si el filtro coincide con el color oscuro en la tabla, retírelo y reemplácelo con uno nuevo. Marque la calcomanía de instalación de nuevo filtro incluida con el nuevo filtro HEPAtech®. **Dependiendo del uso y del ambiente, el filtro HEPAtech® puede durar de cuatro a seis meses.**
4. Tire suavemente del filtro para retirarlo de la unidad. Al retirar el filtro, observe las flechas de dirección impresas en la parte superior del filtro. El nuevo filtro debe instalarse con la misma orientación. Luego de haberlo retirado, el filtro usado debe ser desechado.
5. Retire el nuevo filtro de su envoltura y vea las flechas de dirección impresas al lado del filtro. Instale el filtro con las flechas señalando hacia la unidad. Presione el filtro firmemente dentro del purificador de aire. Para evitar dañar el elemento del filtro, sólo debe presionar en el bastidor del filtro.
6. Si nota una disminución en la salida de aire o un mayor ruido, el filtro HEPAtech® puede estar obstruido. Reemplácelo con un nuevo filtro HEPAtech®.

## Filtros de reemplazo

Para obtener un filtro de reemplazo para su purificador de aire, llame al 1-800-4Hunter a fin de localizar su distribuidor más cercano o al Servicio al cliente (EE.UU.) 1-888-830-1326, (Canadá) 1-866-268-1936. Debe estar preparado para indicar al operador los números de modelo de su purificador y del filtro que debe reemplazar. Visite nuestro sitio web en [www.hunterfan.com](http://www.hunterfan.com).

Purificador de aire Hunter Modelo No.:	30057A	30067A	30124A
Reemplazo de pre-filtro Modelo No.:	30901	30901	30901
Reemplazo de filtro HEPAtech® Modelo No.:	30928	30928	30928

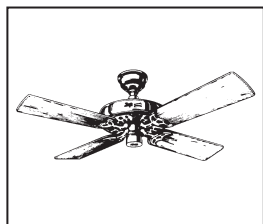
## Cómo trabaja el Sistema de purificación de aire HEPAtech®



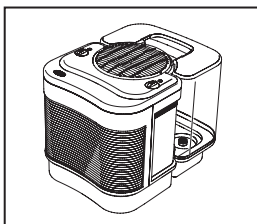
ESPAÑOL

A medida que entra el aire en el purificador, el prefiltro de carbón activado absorbe los olores y atrapa las partículas grandes. Entonces, el aire pasa a través del filtro HEPAtech®, donde se atrapan las partículas más pequeñas. Luego, el ionizador libera iones negativos en el aire que atraen el polvo, el humo y las partículas de polen cargadas positivamente. Finalmente, el aire limpio y purificado es devuelto de nuevo a la habitación.

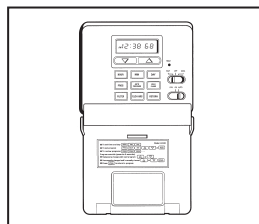
### Otros productos Hunter para la comodidad de su hogar



Hunter Original®



Care-Free Humidifier™



Termostato programable

Para obtener más información sobre los productos Hunter Fan Company, visite nuestra página Web en:

[www.hunterfan.com](http://www.hunterfan.com)

## Sistema de purificación de aire **HEPAtech™** de Hunter Fan Company **GARANTÍA LIMITADA DE 5 AÑOS**

Hunter Fan Company otorga la siguiente garantía limitada al usuario o comprador residencial original del Sistema de purificación de aire *HEPAtech™*:

Si cualquier pieza del motor de su Sistema de purificación de aire *HEPAtech™* ("Purificador de aire") falla durante los primeros cinco (5) años desde la fecha de instalación debido a un defecto de material o mano de obra, le proporcionaremos un Purificador de aire de reemplazo en forma gratuita. Se considera que la instalación se realiza en la fecha de compra.

Si el cordón, ionizador o la rejilla frontal del purificador de aire fallan en cualquier momento dentro de un (1) año a partir de la instalación debido a un defecto de material o mano de obra, reemplazaremos o, a nuestra elección, repararemos la unidad sin ningún cargo para usted en nuestro centro de servicio más cercano o en nuestro Departamento de Servicio en Memphis, Tennessee. Usted será responsable por el costo de las piezas y la mano de obra después de este período de un año.

SI EL USUARIO O COMPRADOR RESIDENCIAL ORIGINAL DEJA DE POSEER EL PURIFICADOR DE AIRE, ESTA GARANTÍA Y CUALQUIER GARANTÍA IMPLÍCITA QUE PERMANEZCA EN EFECTO, INCLUYENDO PERO SIN LIMITARSE A TODA GARANTÍA IMPLÍCITA DE COMERCIABILIDAD O IDONEIDAD PARA UN PROPÓSITO PARTICULAR, QUEDA ANULADA.

NO SE OFRECE NINGUNA GARANTÍA EXPRESA O IMPLÍCITA, INCLUYENDO CUALQUIER GARANTÍA DE COMERCIABILIDAD O IDONEIDAD PARA UN PROPÓSITO PARTICULAR, EN RELACIÓN CON EL MATERIAL DEL FILTRO O EL FILTRO DE CARBÓN.

ESTA GARANTÍA SUSTITUYE A TODAS LAS OTRAS GARANTÍAS EXPRESAS. LA DURACIÓN DE TODA GARANTÍA IMPLÍCITA, INCLUYENDO PERO SIN LIMITARSE A CUALQUIER GARANTÍA IMPLÍCITA DE COMERCIABILIDAD O IDONEIDAD PARA UN PROPÓSITO PARTICULAR, RELACIONADA CON EL MOTOR ESTÁ EXPRESAMENTE LIMITADA AL PERÍODO DE LA GARANTÍA EXPRESA ESTABLECIDA ANTERIORMENTE.

Esta garantía será nula si el Purificador de aire no fue comprado en los EE.UU. o Canadá.

Esta garantía excluye y no cubre defectos, averías o fallas del Purificador de aire que fueran ocasionados por reparaciones por parte de personas no autorizadas por nosotros, por el uso de piezas o accesorios no autorizados por nosotros, por mal uso, modificaciones, o daños al Purificador de aire mientras esté en su posesión, o por un empleo no razonable, incluyendo la falta de suministrar un razonable y necesario mantenimiento. Esta garantía no cubre Purificadores de aire usados en aplicaciones comerciales. No hay garantías expresas o implícitas en lo que respecta a compradores o usuarios comerciales.

Para obtener servicio, contacte con el centro de servicio autorizado Hunter o con nuestro Departamento de servicio de Hunter Fan Company, en 7130 Goodlett Farms Pkwy Suite 400, Memphis, Tennessee 38016 1-888-830-1326. Para obtener el nombre de su Centro de servicio autorizado más cercano, escriba a Hunter Fan

(continuación)

Company a la dirección mencionada. Usted será responsable por el seguro y el flete u otro transporte hasta nuestro centro de servicio en la fábrica. Devolveremos el Purificador de aire con el flete prepago. El Purificador de aire debe estar adecuadamente embalado para evitar daños mientras esté en tránsito, ya que no seremos responsables de dichos daños. Debe proporcionar una prueba de su compra cuando solicite un servicio de garantía. El comprador debe presentar el recibo de compra u otro documento que establezca la prueba de su compra.

EN NINGÚN CASO, HUNTER FAN COMPANY SERÁ RESPONSABLE POR DAÑOS DIRECTOS, INDIRECTOS, CUANTIFICABLES, PERJUDICIALES O ACCESORIOS, EN EXCESO DEL PRECIO DE COMPRA DEL PURIFICADOR DE AIRE. SU ÚNICO RECURSO SERÁ LA REPARACIÓN O EL REEMPLAZO COMO SE ESTIPULÓ ANTERIORMENTE.

ALGUNOS ESTADOS NORTEAMERICANOS Y PROVINCIAS CANADIENSES NO PERMITEN LIMITACIONES SOBRE LA DURACIÓN DE UNA GARANTÍA IMPLÍCITA, DE MODO QUE LA LIMITACIÓN ANTES MENCIONADA PUEDE NO APLICARSE A USTED.

ALGUNOS ESTADOS NORTEAMERICANOS Y PROVINCIAS CANADIENSES NO PERMITEN LA EXCLUSIÓN O LIMITACIÓN DE DAÑOS DIRECTOS, INDIRECTOS, CUANTIFICABLES, ACCESORIOS O PERJUDICIALES, DE MODO QUE LA LIMITACIÓN ANTES MENCIONADA PUEDE NO APLICARSE A USTED.

ALGUNOS ESTADOS NORTEAMERICANOS Y PROVINCIAS CANADIENSES NO PERMITEN LA EXCLUSIÓN O NULIDAD DE LAS GARANTÍAS EXPRESAS O IMPLÍCITAS SI EL USUARIO DEJA DE POSEER EL PURIFICADOR DE AIRE, DE MODO QUE LA LIMITACIÓN ANTES MENCIONADA PUEDE NO APLICARSE A USTED.

ESTA GARANTÍA LE DA DERECHOS LEGALES ESPECÍFICOS, PERO USTED TAMBIÉN PUEDE TENER OTROS DERECHOS QUE VARÍAN DE ESTADO A ESTADO O DE PROVINCIA A PROVINCIA.

ESPAÑOL



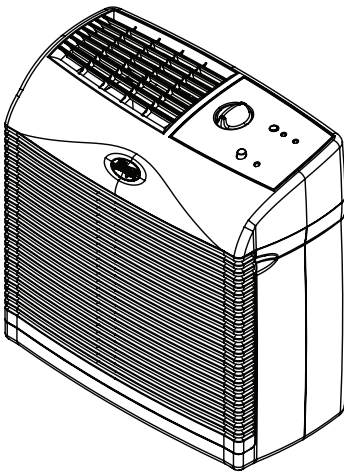
Hunter Fan Company  
2500 Frisco Avenue  
Memphis, Tennessee 38114  
USA

Impreso en China y Taiwán

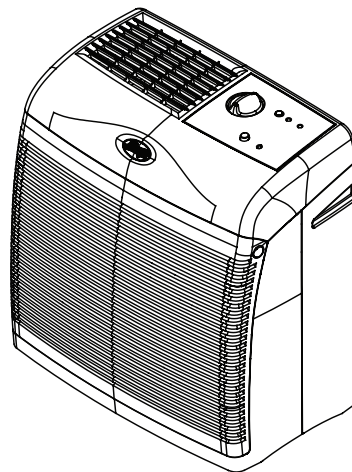


# HEPAtech®

## Système purificateur d'air



**Modèles 30057A, 30061**



**Modèles 30067A, 30124A**

FRANÇAIS

Modèle de purificateur d'air	Filtre HEPA	Pré-filtres
30057A, 30061	30928	30901
30067A, 30124A	30928	30901

[www.hunterfan.com](http://www.hunterfan.com)

## IMPORTANTES CONSIGNES DE SÉCURITÉ

### LISEZ CES INSTRUCTIONS AVANT D'EMPLOYER CE PURIFICATEUR D'AIR ET CONSERVEZ-LES

1. Ce purificateur d'air a été créé pour être utilisé sur une surface plate et régulière, et peut ne pas fonctionner correctement sur une surface irrégulière. Il faut **TOUJOURS** placer ce purificateur d'air sur une surface ferme, horizontale. **Il faut TOUJOURS placer ce purificateur d'air à une distance d'au moins 15 cm (6 pouces) des murs et des sources de chaleur telles que les cuisinières, les radiateurs, ou les appareils de chauffage.**
2. Placez le purificateur d'air dans un endroit inaccessible aux enfants.
3. Avant d'employer le purificateur d'air, déroulez le cordon d'alimentation et vérifiez qu'il n'est pas endommagé. **NE PAS** employer ce produit si le cordon électrique est endommagé.
4. Pour une plus grande sécurité, ce produit est muni d'une fiche polarisée (une broche est plus large que l'autre). Cette fiche se place dans une prise polarisée d'une seule manière. Si la fiche ne rentre pas dans la prise, retournez-la. Si elle ne rentre toujours pas, contactez un électricien de métier. **IL NE FAUT PAS** essayer de contourner cette sécurité ou la rendre inopérante.
5. Il faut **TOUJOURS DÉBRANCHER** le purificateur d'air lorsqu'il n'est pas en utilisation, lorsque vous changez le filtre et lorsque vous le nettoyez.
6. **IL NE FAUT PAS** incliner ou déplacer le purificateur d'air quand il fonctionne. Arrêtez-le et débranchez-le avant de le déplacer.
7. **IL NE FAUT PAS** placer le purificateur d'air en immersion dans l'eau sinon il sera endommagé de façon permanente. Référez-vous et suivez les instructions de **NETTOYAGE ET DE REMPLACEMENT DU FILTRE**.

## Introduction

Merci d'avoir acheté le système purificateur d'air HEPAtech® de la compagnie Hunter Fan. Vous avez acheté notre dernier développement dans les systèmes purificateurs d'air portables. Ce système a été développé pour améliorer la qualité de l'air que vous respirez.

Notre système purificateur d'air HEPAtech® dépasse les performances des autres systèmes purificateurs d'air en éliminant rapidement et de façon efficace la poussière, la fumée, et les particules de pollen de taille aussi petite que 0,1 microns. L'air de la pièce est aspiré par la grille de devant et nettoyé à travers le filtre HEPAtech®. L'air propre est alors relâché à travers la grille du dessus de façon à éviter de remuer des particules déposées.

## Utilisation de l'ionisateur

L'utilisation de l'ionisateur améliore la qualité de l'air dans la pièce. Les ions négatifs sont relâchés dans l'air et les particules de poussière, de fumée et de pollen chargées positivement sont attirées par les ions négatifs. Ces particules s'installent dans l'air et peuvent être aspirées lors d'un nettoyage normal. Ces particules sont aussi plus facilement capturées par le filtre HEPAtech® lorsqu'elles traversent le système purificateur d'air HEPAtech®. Pour assurer une bonne circulation d'air dans la pièce, nous vous conseillons de placer le purificateur d'air à une distance de 15 cm des murs.

## Installation de votre purificateur d'air

1. Retirez votre purificateur d'air de la boîte et sortez-le du sac protecteur de plastique transparent.
2. Placez votre purificateur d'air HEPAtech® sur une surface solide et plate.
3. Avant de mettre en marche le purificateur d'air, ouvrez la grille avant.
  - **Pour les modèle 30057A, 30061:** Pour libérer la grille avant, appuyez sur les boutons latéraux jusqu'à ce la grille avant glisse facilement par-dessus les boutons. (Consultez la Figure 1)
  - **Pour les modèle 30067A, 30124A:** Pour libérer la grille avant, placez vos doigts derrière les languettes et tirez. (Consultez la Figure 2)
4. Vérifiez ensuite le filtre HEPAtech® en poussant bien sur les quatre coins du filtre pour vous assurer qu'il est complètement inséré dans l'ouverture de filtre.
5. Le pré-filtre au charbon est fixé à l'intérieur de la grille grâce à un ruban agrafeur. Veillez à ce qu'il recouvre les fentes de la grille. (Consultez la Figure 3)
6. Placez l'autocollant de rappel d'installation du filtre sur le bord intérieur de la grille avant. Encercliez le mois et inscrivez l'année d'installation du pré-filtre et du filtre HEPAtech®.
7. Remplacez le filtre et la grille avant. Assurez-vous que les languettes inférieures de la grille sont en place, puis poussez le haut de la grille jusqu'à ce qu'elle se referme. L'appareil est à présent prêt à fonctionner normalement. NOTE : Cet appareil ne fonctionnera que si la porte est dans la position adéquate.
8. Branchez l'appareil dans une prise électrique 120V.

### PIÈCES DU PURIFICATEUR D'AIR

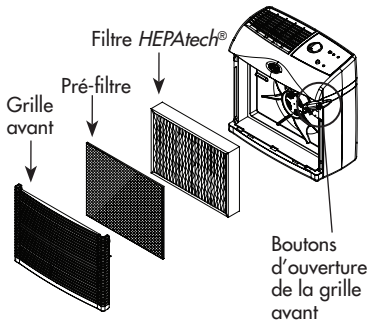


Figure 1 - Modèle 30057A, 30061

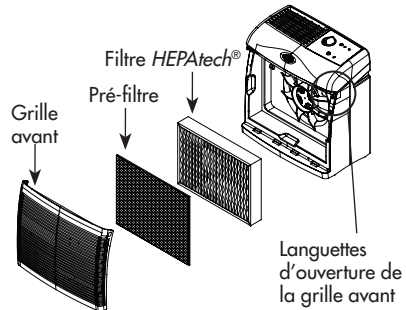


Figure 2 - Modèle 30067A, 30124A

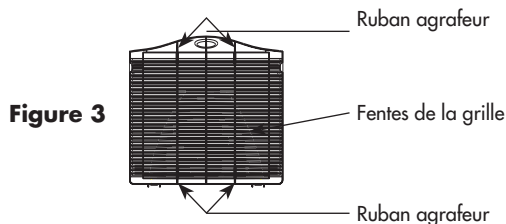


Figure 3

## Faire fonctionner votre purificateur d'air

**Commande On/Speed:** Faites tourner le bouton de commande de vitesse afin d'établir la vitesse souhaitée. Zéro (0) indique que l'appareil est éteint, un (1) qu'il est à basse vitesse, deux (2) à vitesse moyenne et trois (3) à vitesse élevée. La vitesse du ventilateur peut être réglée en tout temps.

**Ionisateur:** Appuyer sur ce bouton pour mettre en marche l'ionisateur. Lorsque l'ionisateur est en marche, le voyant vert près du bouton sera allumé.

## Pré-filtre et minuteries de filtre

Le purificateur d'air est doté de minuteries qui indiquent quand le pré-filtre et le filtre doivent être changés. La minuterie calcule automatique le nombre d'heures d'utilisation de chaque filtre. Lorsque le compteur du pré-filtre atteint 1400 heures (environ trois mois d'utilisation), l'indicateur du pré-filtre s'allume pour signaler que le pré-filtre doit être changé. Lorsque le compteur du filtre HEPAtech® atteint 2800 heures (environ quatre à six mois d'usage), l'indicateur du filtre HEPAtech® s'allume pour signaler que le filtre doit être changé. La durée de vie utile exacte du pré-filtre et du filtre dépend de l'environnement. Dans certains cas, les filtres devront être changés plus souvent.

### Pour réinitialiser la minuterie du pré-filtre ou du filtre lorsqu'un indicateur (ou les deux indicateurs) sont allumés:

1. Changez le filtre et/ou le pré-filtre tel que décrit à la section Entretien de ce manuel.
2. Pour remettre le compteur à zéro (heures) et éteindre l'indicateur, appuyez tout simplement sur la touche de réinitialisation et maintenez-la enfoncée pendant trois secondes. Si l'indicateur du pré-filtre et celui du filtre sont allumés, la touche de réinitialisation éteindra d'abord l'indicateur du pré-filtre. Vous devrez ensuite relâcher la touche de réinitialisation, l'appuyer et la maintenir enfoncée de nouveau pendant trois secondes pour éteindre l'indicateur du filtre.

### Pour réinitialiser la minuterie du pré-filtre ou du filtre avant que les indicateurs s'allument:

Selon l'environnement, il sera peut-être nécessaire de changer le pré-filtre ou le filtre plus souvent que ne le signalent les indicateurs. Cette procédure vous permet de réinitialiser le compteur du pré-filtre ou du filtre avant que les indicateurs s'allument.

1. Changez le filtre et/ou le pré-filtre tel que décrit à la section Entretien de ce manuel.
2. Vous devez maintenant choisir la minuterie que vous souhaitez réinitialiser. Appuyez sur la touche de réinitialisation et maintenez-la enfoncée (pendant environ trois secondes) jusqu'à ce que l'indicateur du pré-filtre clignote. Appuyez de nouveau sur la touche d'initialisation pour passer d'un indicateur à l'autre. La minuterie réinitialisée est celle dont l'indicateur clignote.
3. Lorsque l'indicateur souhaité clignote, appuyez sur la touche de réinitialisation et maintenez-la enfoncée pendant trois secondes pour que cette minuterie soit remise à zéro (heures). L'indicateur cesse de clignoter lorsqu'il a été réinitialisé. Au besoin, répétez ces étapes pour la réinitialisation de l'autre minuterie.

## Nettoyage et remplacement du filtre

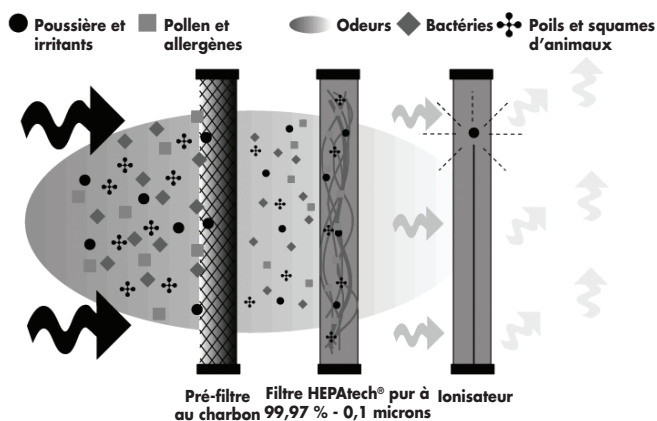
1. Nettoyez l'extérieur de l'appareil avec un chiffon doux et humide. La grille avant peut être retirée et nettoyée à l'eau savonneuse. Retirez le pré-filtre avant de nettoyer la grille avant.
2. **Remplacez au moins tous les 90 jours le pré-filtre au charbon.** Cette opération est nécessaire pour maintenir une suppression des odeurs et un rendement de filtration adéquats. Si nécessaire, vous pouvez le changer plus fréquemment. Remplissez l'étiquette d'installation du nouveau filtre comprise avec le nouveau pré-filtre au charbon. **Assurez-vous de retirer tout emballage de plastique qui pourrait se trouver sur le nouveau filtre avant de le placer dans le purificateur d'air.**
3. Lors du remplacement du pré-filtre, vérifiez l'état du filtre HEPAtech®. Comparez le filtre à la charte de couleurs codées qui se trouve à l'intérieur du boîtier. Si le filtre correspond à la couleur foncée de la charte, retirez-le et remplacez-le par un nouveau. Remplissez l'étiquette d'installation du nouveau filtre comprise avec le nouveau filtre HEPAtech®. **Selon l'usage et l'environnement, le filtre HEPAtech® doit durer quatre à six mois.**
4. Tirez doucement sur le filtre pour l'enlever de l'appareil. Quand vous enlevez le filtre notez la direction des flèches sur le haut du filtre. Le nouveau filtre doit être orienté de la même façon. Vous pouvez jeter le vieux filtre que vous avez enlevé.
5. Déballez le nouveau filtre et remarquez les flèches directionnelles imprimées sur le côté du filtre. Installez le filtre avec les flèches dirigées vers l'unité. Insérez fermement le filtre dans le purificateur d'air. Pour éviter d'endommager les médias du filtre, vous ne devez appuyer que sur le cadre du filtre.
6. Si vous remarquez une diminution de sortie d'air ou une augmentation de bruit, le filtre HEPA est peut-être obstrué. Remplacez-le par un nouveau filtre HEPAtech®.

## Filtres de remplacement

Afin d'obtenir un filtre de remplacement pour votre purificateur d'air, téléphonez au 1-800-4Hunter pour connaître le détaillant le plus près de chez vous ou au Service à la clientèle Hunter au (É.-U.) 1-888-830-1326 ou au (Canada) 1-866-268-1936. Soyez prêt à donner à l'opératrice le numéro de modèle de votre purificateur d'air et le numéro de modèle du filtre que vous désirez remplacer. Visitez notre site Web à l'adresse [www.hunterfan.com](http://www.hunterfan.com).

No de modèle du purificateur d'air Hunter : 30057A 30067A 30124A  
No de modèle du pré-filtre de remplacement : 30901 30901 30901  
No de modèle du filtre de remplacement HEPAtech® : 30928 30928 30928

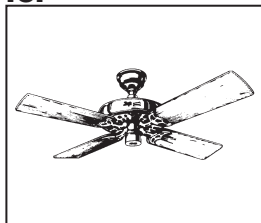
## Fonctionnement du système HEPAtech®



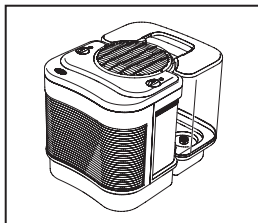
À mesure que l'air est aspiré dans le purificateur, le pré-filtre activé au charbon absorbe les odeurs et retient les grosses particules. L'air passe ensuite dans le filtre HEPAtech® où les plus petites particules sont recueillies. Puis, l'ionisateur émet dans l'air des ions négatifs qui attirent la poussière chargée positivement, la fumée et les particules de pollen. Finalement, l'air purifié est libéré dans la pièce.

## Autres produits pour le confort à la maison de Hunter

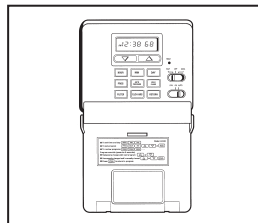
FRANÇAIS



Hunter Original®



Le Care-Free  
Humidifier™



Thermostat  
programmable

Pour en savoir plus sur les produits de Hunter Fan Company,  
veuillez consulter notre site Web à l'adresse :

[www.hunterfan.com](http://www.hunterfan.com)

## Hunter Fan Company

### Système de purification d'air *HEPAtech*<sup>TM</sup>

### **GARANTIE LIMITÉE DE 5 ANS**

La compagnie Hunter Fan donne la garantie limitée suivante à l'utilisateur résidentiel original ou à l'acheteur du système de purification d'air *HEPAtech*<sup>TM</sup> :

Si une pièce du moteur de votre système de purification d'air (« purificateur d'air ») *HEPAtech*<sup>TM</sup> fait défaut au cours des cinq (5) premières années suivant la date de l'installation à cause d'une défectuosité matérielle ou de fabrication, nous remplacerons gratuitement le purificateur d'air. L'installation est présumée avoir eu lieu à la date de l'achat.

Si le cordon d'alimentation, l'ionisateur ou la grille avant fait défaut durant l'année (1) suivant la date de l'installation à cause d'une défectuosité matérielle ou de fabrication, nous réparerons ou remplacerons gratuitement l'appareil, à notre choix, à notre plus proche centre de service ou à notre atelier de service de Memphis au Tennessee. Vous serez responsable des coûts des pièces et de la main-d'oeuvre après cette période d'un an.

SI L'USAGER RÉSIDENTIEL INITIAL OU LE CLIENT ACHETEUR CESSE D'ÊTRE PROPRIÉTAIRE DU PURIFICATEUR D'AIR, CETTE GARANTIE ET TOUT AUTRE GARANTIE IMPLICITE QUI RESTENT ENCORE VALIDES, INCLUANT, MAIS SANS Y ÊTRE LIMITÉE, TOUTE GARANTIE IMPLICITE DE QUALITÉ MARCHANDE OU DE COMPATIBILITÉ À UN USAGE PARTICULIER, SONT ANNULÉES.

AUCUNE GARANTIE, EXPRESSE OU IMPLICITE, INCLUANT TOUTE GARANTIE IMPLICITE DE LA QUALITÉ MARCHANDE OU DE COMPATIBILITÉ À UN USAGE PARTICULIER, N'EST FAITE À L'ÉGARD DU MATÉRIAU DU FILTRE OU DU FILTRE AU CHARBON.

CETTE GARANTIE TIEN LIEU DE TOUT AUTRE GARANTIE EXPRESSE. LA DURÉE DE TOUTE GARANTIE IMPLICITE, INCLUANT MAIS NON LIMITÉE À UNE QUELCONQUE GARANTIE IMPLICITE DE LA QUALITÉ MARCHANDE OU DE LA COMPATIBILITÉ À UN USAGE PARTICULIER, EST EXPRESSÉMENT LIMITÉE À LA PÉRIODE DE LA GARANTIE EXPRESSE ÉNONCÉE PLUS HAUT.

Cette garantie est nulle si le purificateur d'air n'a pas été acheté et installé aux É.-U. ou au Canada.

Cette garantie exclue et ne couvre pas les défauts, les mauvais fonctionnements et les pannes du purificateur d'air, dus à des réparations par des personnes auxquelles nous n'avons pas donné d'autorisation, à l'utilisation de pièces ou d'accessoires non autorisés, à un mauvais traitement, à des modifications ou des dommages au ventilateur tandis qu'il était en votre possession, ou à un usage déraisonnable, y compris l'incapacité de fournir un entretien raisonnable et nécessaire. Cette garantie ne couvre pas les purificateurs d'air utilisés à des fins commerciales. Il n'existe aucune garantie expresse ou implicite concernant des acheteurs ou des utilisateurs commerciaux.

Pour bénéficier du service, prenez contact avec le centre de service autorisé Hunter le plus proche ou le service technique de la société Hunter Fan, 7130 Goodlett Farms Pkwy Suite 400, Memphis, Tennessee 38016, 1-888-830-1326. Pour le nom du centre de service autorisé Hunter Fan le plus proche, écrire

(suite)

à la société Hunter Fan à l'adresse précédente. Vous devrez assumer tous les frais d'assurance et de transport à notre usine. Nous vous renverrons le purificateur d'air en port prépayé. Le purificateur d'air devra être emballé avec soin pour éviter tout dommage durant le transport puisque nous ne pourrions être tenus responsables d'un tel dommage. Une preuve d'achat est exigée pour bénéficier de la garantie. L'acheteur devra présenter une facture ou un autre document qui établit la preuve de l'achat.

EN AUCUN CAS LA SOCIÉTÉ HUNTER FAN NE SERA TENUE RESPONSABLE DE DOMMAGES DIRECTS, INDIRECTS, SPÉCIAUX OU ACCIDENTELS EXCÉDANT LE PRIX D'ACHAT DU PURIFICATEUR D'AIR. VOTRE SEUL RECOURS SERA LA RÉPARATION OU LE REMPLACEMENT TELS QUE PRÉVUS CI-HAUT.

CERTAINS ÉTATS AMÉRICAINS ET CERTAINES PROVINCES CANADIENNES N'AUTORISENT PAS DE RESTRICTION SUR LA DURÉE DE LA GARANTIE IMPLICITE; PAR CONSÉQUENT, LA RESTRICTION CI-DESSUS POURRAIT NE PAS S'APPLIQUER À VOUS.

CERTAINS ÉTATS AMÉRICAINS ET CERTAINES PROVINCES CANADIENNES N'AUTORISENT PAS L'EXCLUSION OU LA RESTRICTION DES DOMMAGES DIRECTS, ACCIDENTELS, SPÉCIAUX, ACCESSOIRES OU INDIRECTS; PAR CONSÉQUENT, LA RESTRICTION CI-DESSUS POURRAIT NE PAS S'APPLIQUER À VOUS.

CERTAINS ÉTATS AMÉRICAINS ET CERTAINES PROVINCES CANADIENNES N'AUTORISENT PAS L'EXCLUSION OU L'INVALIDITÉ DES GARANTIES EXPRESSE OU IMPLICITE SI L'UTILISATEUR CESSE D'ÊTRE PROPRIÉTAIRE DU PURIFICATEUR D'AIR PAR CONSÉQUENT, LA RESTRICTION CI-DESSUS POURRAIT NE PAS S'APPLIQUER À VOUS.

CETTE GARANTIE VOUS DONNE DES DROITS SPÉCIFIQUES ET VOUS POUVEZ ÉGALEMENT AVOIR D'AUTRES DROITS QUI PEUVENT VARIER SELON LES ÉTATS ET LES PROVINCES.



Hunter Fan Company  
2500 Frisco Avenue  
Memphis, Tennessee 38114  
USA

Imprimé en Chine et à Taiwan



## Free Manuals Download Website

<http://myh66.com>

<http://usermanuals.us>

<http://www.somanuals.com>

<http://www.4manuals.cc>

<http://www.manual-lib.com>

<http://www.404manual.com>

<http://www.luxmanual.com>

<http://aubethermostatmanual.com>

Golf course search by state

<http://golfingnear.com>

Email search by domain

<http://emailbydomain.com>

Auto manuals search

<http://auto.somanuals.com>

TV manuals search

<http://tv.somanuals.com>