

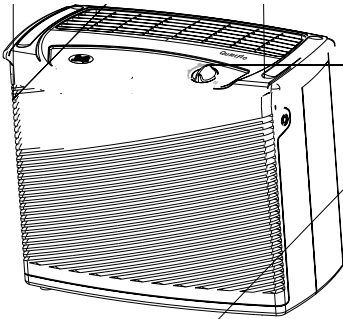


SINCE

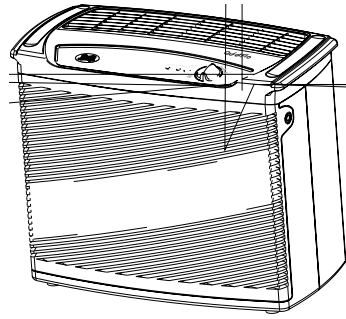
1886

# QuietFlo™

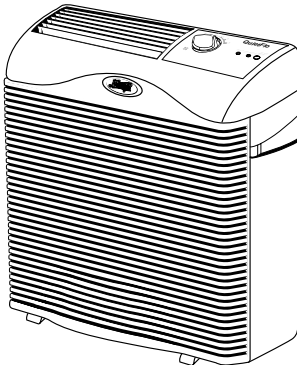
## True HEPA Air Purifier



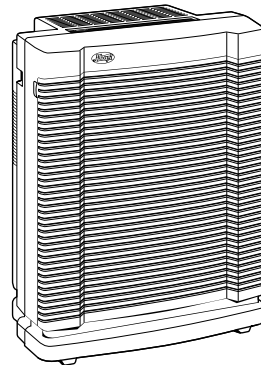
Models 36114 & 36115



Models 36144 & 36145



Models 36259 & 36260



Models 36394 & 36395

English

Spanish

German

French

Italian

Danish

Dutch

Portuguese



---

# IMPORTANT SAFETY INSTRUCTIONS

---

**READ ALL INSTRUCTIONS BEFORE USING THIS AIR PURIFIER.**

---

1. *This Air Purifier is designed for use on a flat, level surface and may not work properly on an uneven surface. ALWAYS place this Air Purifier on a firm, level surface. ALWAYS place the Air Purifier at least six (6) inches away from walls and heat sources such as stoves, radiators, or heaters.*
2. *Place the Air Purifier in an area that is out of the reach of children.*
3. *Before using the Air Purifier, extend the cord and inspect for any signs of damage. If the supply cord is damaged, it must be replaced by a manufacturer or its service agent or similarly qualified person in order to avoid hazard.*
4. *If the plug does not fit fully and securely into the outlet, reverse the plug. If it still does not fit, contact a qualified electrician. DO NOT attempt to use the unit unless the plug fits securely into the socket.*
5. *ALWAYS UNPLUG the Air Purifier when it is not in operation, while the filter is being changed, or while it is being cleaned.*
6. *DO NOT tilt or move the Air Purifier while it is in operation. Shut off and unplug before moving.*
7. *DO NOT immerse the Air Purifier in water, as permanent damage will occur. Refer to and follow the AIR PURIFIER MAINTENANCE instructions.*

---

**READ AND SAVE ALL INSTRUCTIONS.**

---



## **INTRODUCTION**

Thank you for purchasing the QuietFlo™ True HEPA Air Purifier from Hunter Fan Company. You have purchased our latest development in portable Air Purification Systems. This system has been developed to improve the quality of the air you breathe.

Our QuietFlo™ True HEPA Air Purifier out performs other air purification systems by quickly and effectively removing dust, smoke, and pollen particles. The HEPA filter will remove 99.97% of particles 0.3 microns in size from air that passes through the filter.

The activated carbon pre-filter helps remove cooking, smoke, and pet odors from the air. It also traps lint, hair, and large particles, which helps improve the life and performance of the HEPA filter.

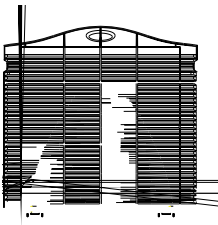
## **HOW THE QUIETFLO™ HEPA AIR PURIFIER WORKS**

As the air is pulled into the purifier, the activated carbon pre-filter absorbs odors and catches large particles. Then, the air travels through the HEPA filter where the smaller particles are collected. Finally, the clean purified air is released back into the room.













To reset the pre-filter or filter counters before the indicators are lit:

In some environments, you may want to change the pre-filter or filter more frequently than indicated by the filter indicators. This procedure allows you to reset the pre-filter or filter counter before the indicators are lit.

1. Change the filter and/or pre-filter as described in the Maintenance section of the manual.
2. Now, you must choose which counter you want to reset. Press and hold the filter reset key (approximately three seconds) until the pre-filter indicator flashes. Press and release the reset key again to alternate between the two indicators. The counter that will be reset is designated by the flashing indicator.

For Models 36394 and 36395: Use the tip of a pen or pencil to press the key.

3. Once you have the correct indicator flashing, press and hold the reset key for three seconds to reset that counter to zero hours. The indicator will stop flashing when it has been reset. If needed, repeat these steps to reset the other counter.

## AIR PURIFIER MAINTENANCE

### CLEANING YOUR AIR PURIFIER

Proper maintenance of your Hunter Air Purifier will help ensure years of trouble free service. Follow these steps to properly maintain your air purifier:

1. Approximately every 90 days, the outside of the unit should be cleaned with a soft, damp cloth.
2. If needed, the front grille can be removed from the unit and cleaned with soapy water. Simply remove the pre-filter before exposing the grille to water.
3. Use the following instructions to determine when and how to replace the filter and pre-filters.

Notes:

- The air purifier should be unplugged during all cleaning processes.
- Be sure the unit is completely dry before plugging in and using.
- Never immerse the unit in water.



## CHANGING THE PRE-FILTER

In a typical environment, the pre-filter should be changed every 2000 hours (approximately 3 months of use) to maintain proper odor-removing capability and overall filtration performance. Changing the pre-filter regularly will also help extend the life of the HEPA filter. If necessary, the pre-filter can be changed more frequently. The following instructions tell you how to change the pre-filter.

For Models 36144, 36145, 36259, 36260, 36394, 36395: The pre-filter indicator will flash after 2000 hours of use as a reminder that you should change the pre-filter.

1. Turn OFF and unplug the air purifier.
2. Remove the front grille to expose the pre-filter. The pre-filter is attached to the front grille with hook tape. Pull gently on the pre-filter to remove it. Once removed, you can dispose of the used pre-filter.
3. If needed, use a soft damp cloth to wipe off the front grille.
4. Remove the new pre-filter from the plastic wrapping and install it in the grille by pressing gently on the corners where it adheres to the hook tape. You may notice a few black particles coming off the pre-filter. Those particles are part of the odor-removing activated carbon and will be collected on the filter during normal use. Mark the new filter installation sticker included with the pre-filter and place the sticker on the front grille for future reference.
5. Install the front grille onto the unit and plug in the air purifier.
6. For Models 36144, 36145, 36259, 36260, 36394, 36395: Reset the pre-filter counter as described in the Pre-filter and Filter Counter section of this manual.

## CHANGING THE HEPA FILTER

Although the proper time to change the filter depends on usage and the environment, a typical life is 8000 hours (approximately 1 year of usage). If you notice a decrease in air output or an increase in noise at any time during normal operation, the filter may be clogged and need to be replaced. A color-coded chart is also included on the inside of the housing to help you determine if it is time to change the HEPA filter. Follow these instructions to change the HEPA filter.

For Models 36144, 36145, 36259, 36260, 36394, 36395: The filter indicator will flash after 8000 hours of use as a reminder that you should change the filter.

1. Turn OFF and unplug the air purifier.
2. Remove the front grille and gently pull on the filter to remove it from the unit. While removing the filter, note the direction of the flaps that form the seal around the filter. The new filter will be installed

R  
W  
m  
o

Fig. 4 - Extended CWP Posts

Hunter Fan Company  
2500 Frisco Avenue  
Memphis, Tennessee 38114  
United States of America  
<http://www.hunterfan.com>

## Free Manuals Download Website

<http://myh66.com>

<http://usermanuals.us>

<http://www.somanuals.com>

<http://www.4manuals.cc>

<http://www.manual-lib.com>

<http://www.404manual.com>

<http://www.luxmanual.com>

<http://aubethermostatmanual.com>

Golf course search by state

<http://golfingnear.com>

Email search by domain

<http://emailbydomain.com>

Auto manuals search

<http://auto.somanuals.com>

TV manuals search

<http://tv.somanuals.com>