

Shown with fan and light kit (not included)

Hunter Accessory Table Installation Instructions



Read all instructions carefully before beginning installation. Save these instructions.

⚠ CAUTIONS

- Read entire installation instructions carefully before beginning installation and save these instructions.
- DO NOT climb on pole or table.
- Follow the assembly and operation instructions included with the fan.
- Use ONLY Hunter replacement parts.
- DO NOT assemble or place this fan on unlevel ground.
- Install this accessory table ONLY on Hunter™ fan models 20523 and 28492.

⚠ WARNINGS

- To reduce the risk of the fan assembly tilting or falling, never place objects on the table with a combined weight of more than 20 lbs.

Troubleshooting

Table wobbles.

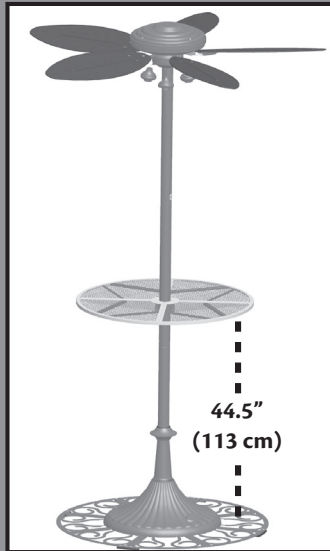
1. Remove all objects from the table. Carefully lift the fan to ensure all three feet are properly installed.
2. Check that the notches in the table are sitting properly on the pin.
3. Tighten all screws.

For other problems or questions, contact the Hunter Fan Company Technical Support
at
1-888-830-1326
or
<http://www.hunterfan.com>

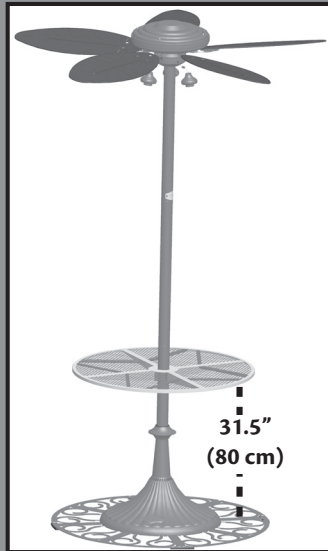


Your new accessory Hunter table can be installed at one of three heights:

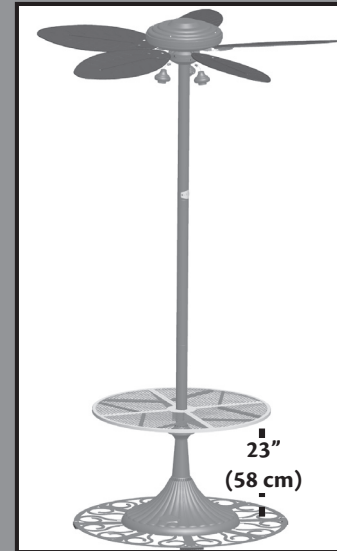
bar height



standard table height



lounge height

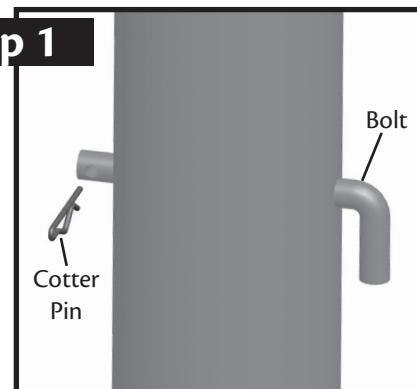


*shown with optional accessory light kit (not included)

Note: Be sure to hold the power cord out of the way of the bolt. Do not allow the power cord to slip down the pole.

1. Insert the bolt into the lower pole section and secure with the cotter pin.

Step 1

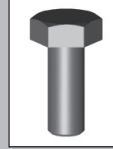


Step 2

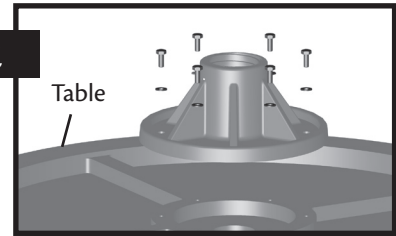
2. Attach the upper adapter to the table with six adapter screws with washers. Thread the lower adapter into the upper adapter and rotate one to two turns.

Note: The lower adapter should not be over-tightened. It should remain loose in the upper adapter to properly attach to the table.

Hardware Needed:



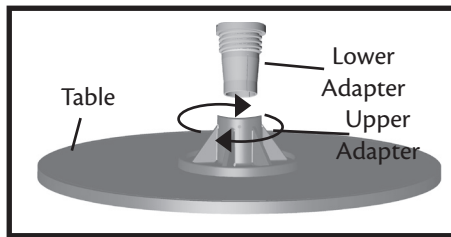
Adapter Screw
64193-03-247
(x 6)



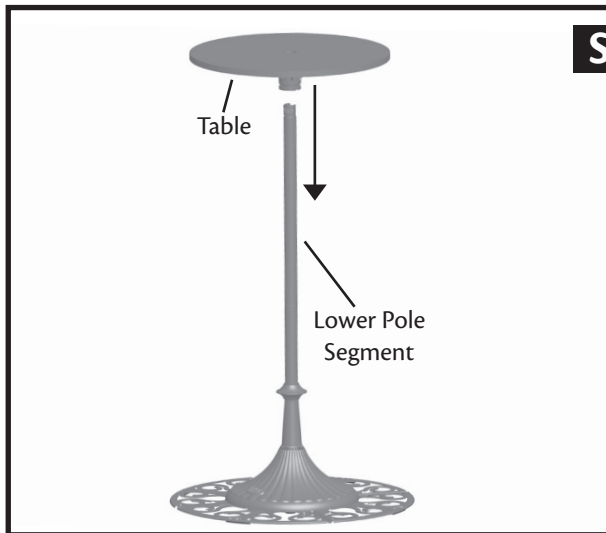
Hardware Needed:



Washer
64187-01-247
(x 6)



Step 3-4



3. Being careful not to damage the pole finish, (with assistance from at least one other person) place the hole in the center of the table over the lower pole segment. Align the notch in the lower adapter with the bolt. Rest the table on the bolt.
4. With the notch resting on the bolt, rotate the table clockwise to secure it to the pole.



Hunter Fan Company
2500 Frisco Avenue
Memphis, Tennessee 38114



© 2007 Hunter Fan Company

Free Manuals Download Website

<http://myh66.com>

<http://usermanuals.us>

<http://www.somanuals.com>

<http://www.4manuals.cc>

<http://www.manual-lib.com>

<http://www.404manual.com>

<http://www.luxmanual.com>

<http://aubethermostatmanual.com>

Golf course search by state

<http://golfingnear.com>

Email search by domain

<http://emailbydomain.com>

Auto manuals search

<http://auto.somanuals.com>

TV manuals search

<http://tv.somanuals.com>