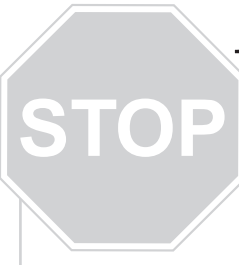


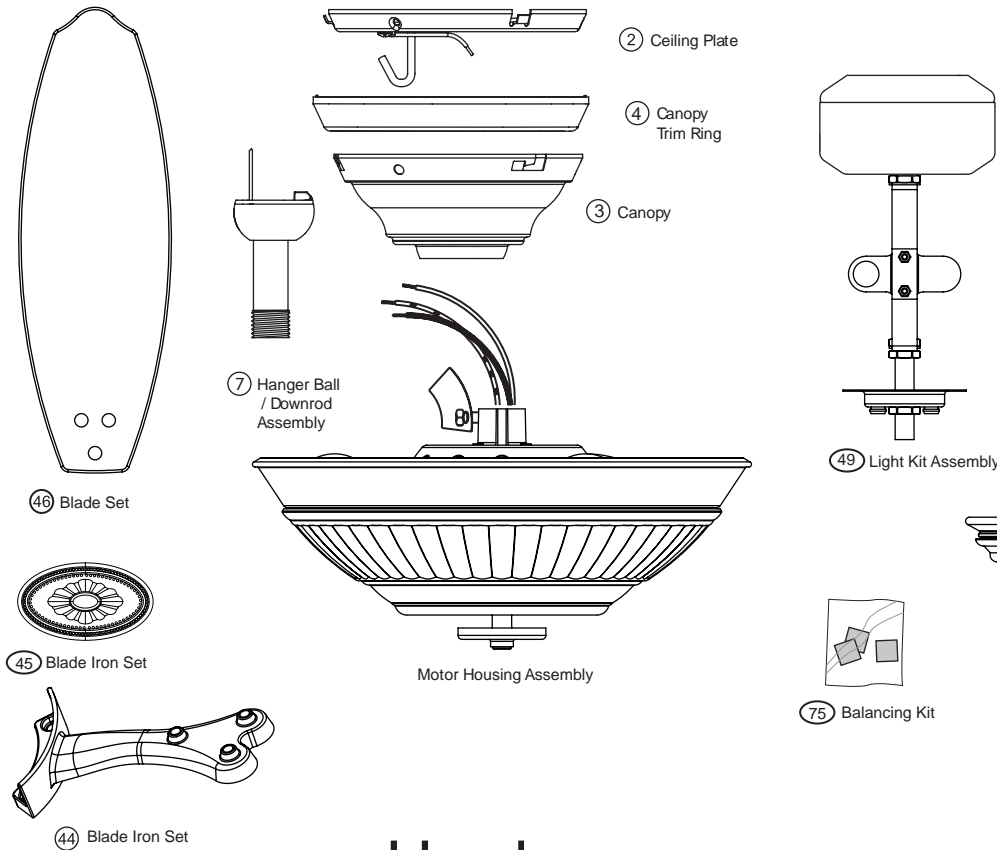
# PARTS GUIDE



Using the Parts Guide below, check to make sure all parts are included in the box.  
 If parts are missing or damaged call 1-888-830-1326.  
**PLEASE DO NOT RETURN THIS PRODUCT TO THE STORE.**

Before installing your fan, record the following information for your records and warranty assistance.

## Fan Parts (Not Drawn to Scale)



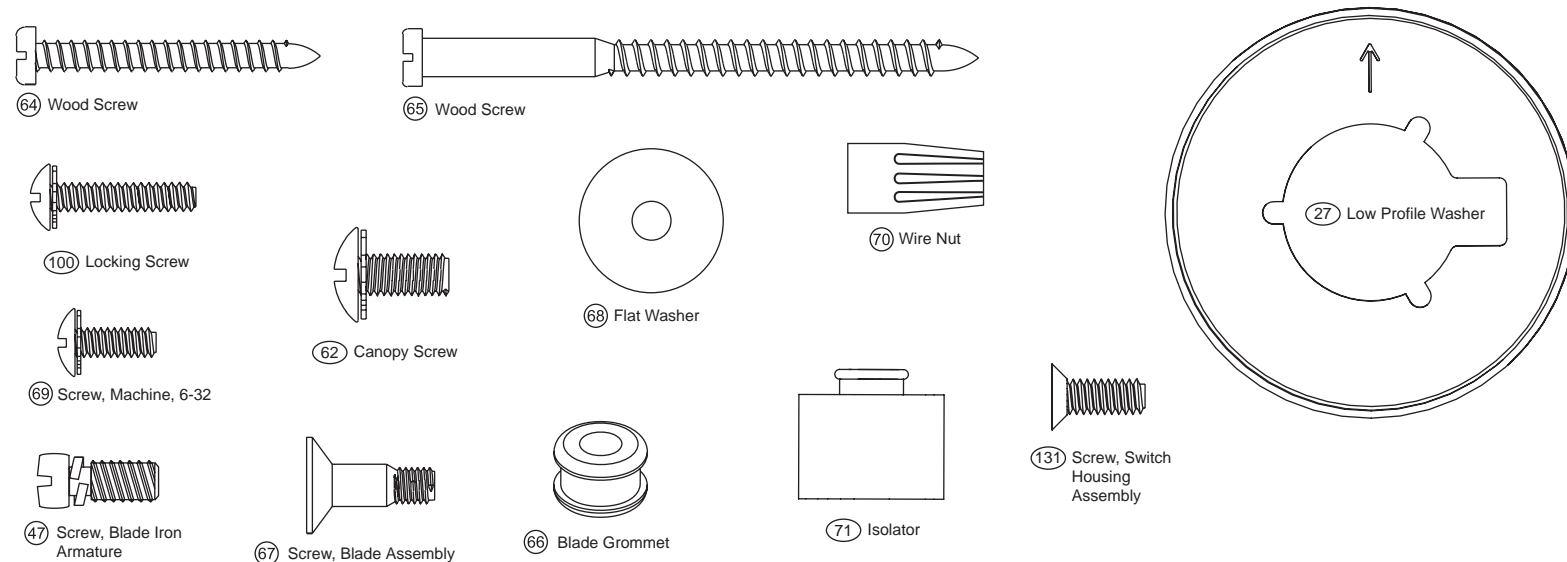
Model Name \_\_\_\_\_  
 Catalog No. \_\_\_\_\_  
 Serial No. \_\_\_\_\_  
 Date Purchased \_\_\_\_\_  
 Where Purchased \_\_\_\_\_

**Missing / Broken Parts:**  
 Call 1-888-830-1326

- Fan does not work:**
1. Reference the Trouble Shooting guide in your Instruction Manual.
  2. Call your Local Service Center.
  3. Call Technical Support at 901-248-2222.

**For additional information on:**  
 Hunter Products • Trouble Shooting  
 Dealer Location • Service Center Locator  
 Call 1-800-448-6837  
 www.hunterfan.com

## Hardware (Drawn to Scale)



		Model #	23802
		Asm. Dwg. #	97169-01
		Finish	Leather Brown/Vieux Gold
Item #	Item Name	Qty	Part #
	<b>Hanging System Kit</b>	<b>1</b>	<b>97232-03-000</b>
2	Ceiling Plate	1	-----
3	Canopy	1	-----
4	Canopy Trim Ring	1	-----
7	Hanger Ball / Downrod Assembly	1	-----
8	Set Screw (Not shown)	1	-----
27	Low Profile Washer	1	-----
62	Canopy Screw	4	-----
64	Wood Screw	2	-----
65	Wood Screw	2	-----
68	Flat Washer	4	-----
71	Isolator	4	-----
100	Locking Screw	3	-----
44	<b>Blade Iron Set</b>	<b>1</b>	<b>97212-05-000</b>
45	<b>Medallions</b>	<b>5</b>	<b>87412-01-000</b>
46	<b>Blade Set</b>	<b>1</b>	<b>00000-00-000</b>
47	<b>Screw, Blade Iron Armature</b>	<b>11</b>	<b>63755-05-247</b>
49	<b>Light Kit Assembly</b>	<b>1</b>	<b>97211-01-000</b>
	<b>* Hardware Kit</b>	<b>1</b>	<b>97169-01-850</b>
66	Blade Grommet	16	05989-01-000
67	Screw, Blade Assembly	16	63730-07-247
69	Screw, Machine, 6-32	3	74506-36-247
70	Wire Nut	4	05172-01-000
131	Screw, Switch Housing Assembly	3	64555-02-247
75	<b>Balancing Kit</b>	<b>1</b>	<b>07570-01-000</b>
150	<b>Glass Globe/Shade</b>	<b>1</b>	<b>87407-01-000</b>
151	<b>Cap</b>	<b>1</b>	<b>87435-02-000</b>
152	<b>Finial</b>	<b>1</b>	<b>65397-00-000</b>



Hunter Fan Company 98000-01-670  
 2500 Frisco Avenue 10/10/06  
 Memphis, TN 38114  
 www.hunterfan.com

## Free Manuals Download Website

<http://myh66.com>

<http://usermanuals.us>

<http://www.somanuals.com>

<http://www.4manuals.cc>

<http://www.manual-lib.com>

<http://www.404manual.com>

<http://www.luxmanual.com>

<http://aubethermostatmanual.com>

Golf course search by state

<http://golfingnear.com>

Email search by domain

<http://emailbydomain.com>

Auto manuals search

<http://auto.somanuals.com>

TV manuals search

<http://tv.somanuals.com>