



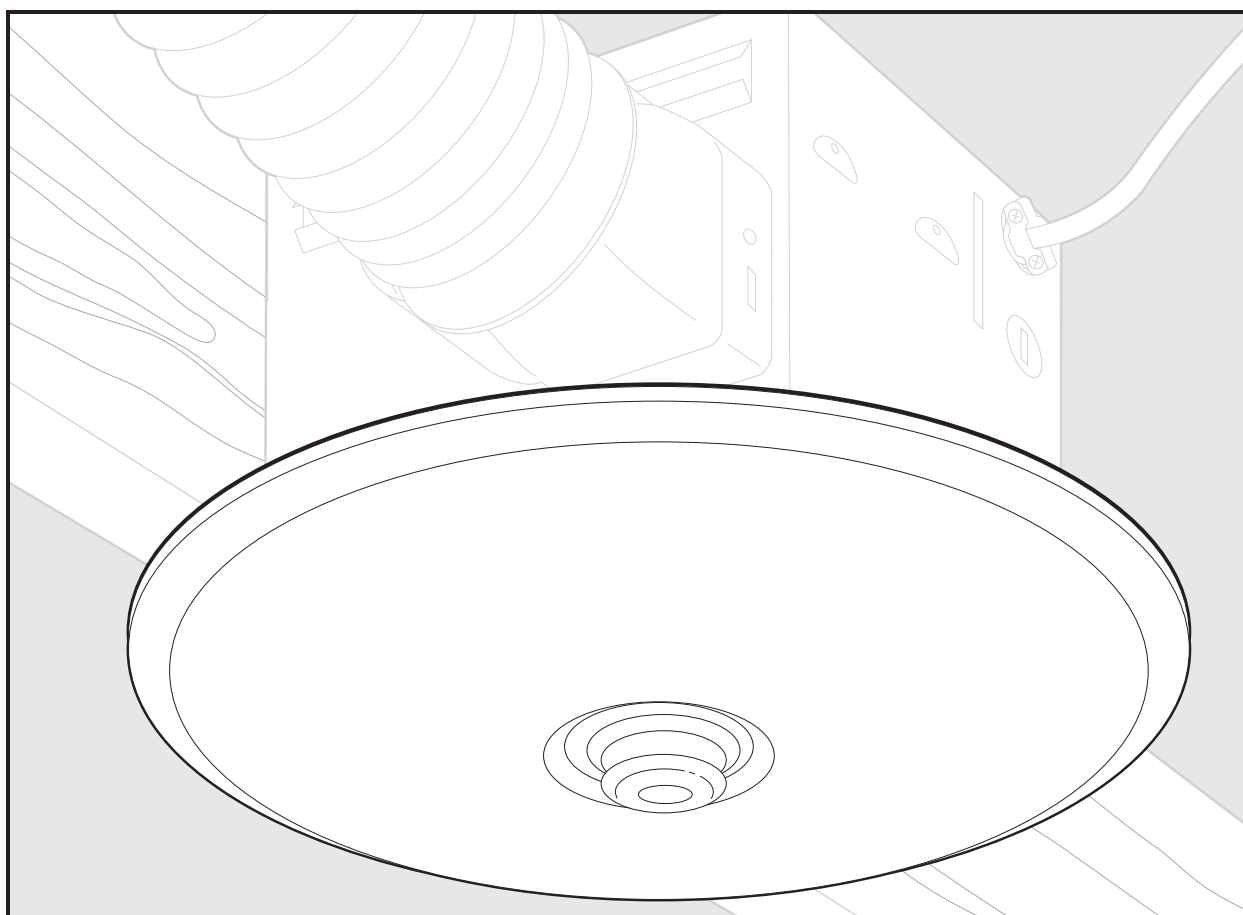
2500 Frisco Avenue, Memphis, Tennessee 38114
Printed in China



SINCE

1886

I n s t a l l a t i o n G u i d e



82500 Infiniti™ Bath Ventilator Fan

⚠ WARNING

TO REDUCE THE RISK OF ELECTRIC SHOCK OR INJURY, OBSERVE THE FOLLOWING:

1. Use this unit only in a manner intended by the manufacturer. If you have questions, contact the manufacturer at the phone number or address listed in the warranty.
2. Before installing, servicing, or cleaning the unit, disconnect the power by turning off the circuit breakers to the outlet box and associated wall switch location. If you cannot lock the circuit breakers in the off position, securely attach a prominent warning device, such as a tag, to the service panel.
3. Installation work and electrical wiring must be done by qualified person(s) in accordance with all applicable codes and standards, including fire-rated construction codes and standards.
4. Sufficient air is needed for proper combustion and exhausting of gasses through the flue (chimney) of fuel burning equipment to prevent backdrafting. Follow the heating equipment manufacturer's guideline and safety standards, such as those published by the National Fire Prevention Association (NFPA), and the American Society for Heating, Refrigeration and Air-Conditioning Engineers (ASHRAE), and the local code authorities.
5. When cutting or drilling into wall(s) or ceiling, do not damage electrical wiring or other hidden utilities.
6. Ducted fans must always be vented to the outdoors. Keep ducting as short and as straight as possible.
7. Acceptable for use over a bathtub or shower when connected to a GFCI protected branch circuit.
8. Install fan at least 5 feet (1.52 m) above the floor.
9. Never place a switch where it can be reached from a tub or shower.
10. This unit must be grounded.

⚠ CAUTION

1. For general ventilating use only. Do not use for ventilating hazardous or explosive materials.
2. To avoid motor bearing damage and noisy/unbalanced impellers, keep drywall spray, construction dust, etc. off power unit.
3. DO NOT install this product in a wall. This product is designed for installation in ceilings up to a 12/12 pitch (45 degrees). Ductwork must point upward.
4. Please read specification label on product for further information and requirements.

⚠ WARNING

**DISCONNECT
ELECTRIC
POWER SUPPLY
AND LOCK OUT
SERVICE PANEL
BEFORE
SERVICING UNIT**

PREVENTATIVE MAINTENANCE

A clean fan provides better service. Disconnect the power supply and clean the fan as listed below.

TO CLEAN GRILLE: Use a mild detergent, such as dishwashing liquid, and a soft cloth. DO NOT use abrasive cloths, steel wool pads or scouring powders.

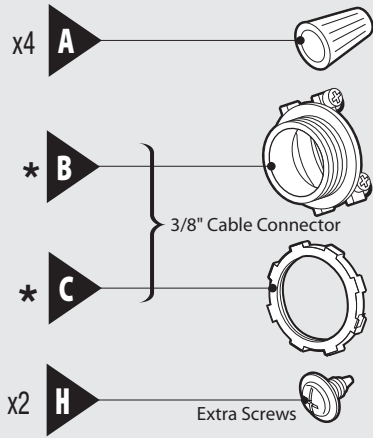
TO CLEAN FAN ASSEMBLY: Unplug motor cord from receptacle. To remove motor plate, find the single tab on the motor plate (located next to the receptacle). Push up rear motor plate tab while pushing out on the side of the housing or insert a screwdriver into the slot in the housing (next to tab) and twist screwdriver. Gently vacuum fan, motor and interior of housing.

METAL AND ELECTRICAL PARTS SHOULD NEVER BE IMMERSSED IN WATER.

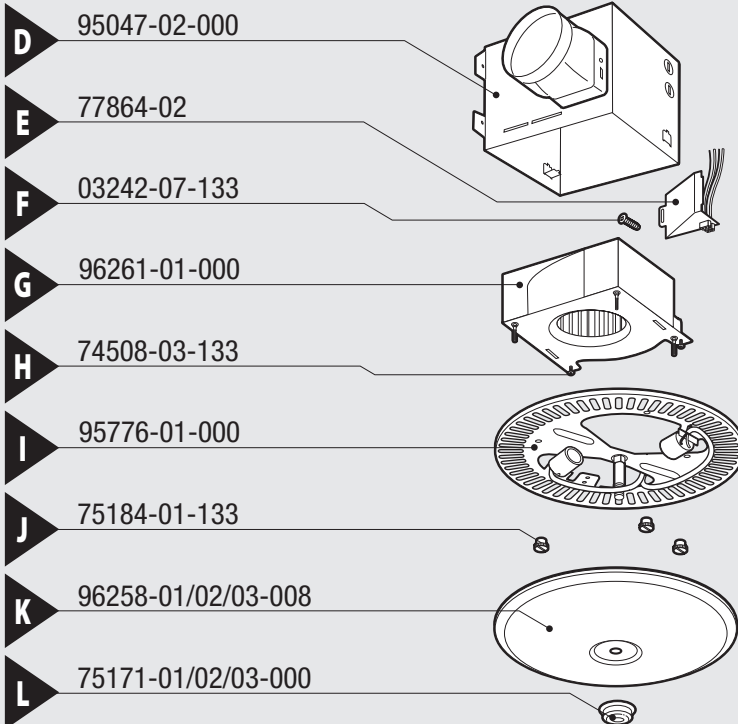
MAINTENANCE

The motor is permanently lubricated and never needs oiling. If the motor bearings are making excessive or unusual noises, replace the motor with the exact service motor. You should replace the impeller at the same time.

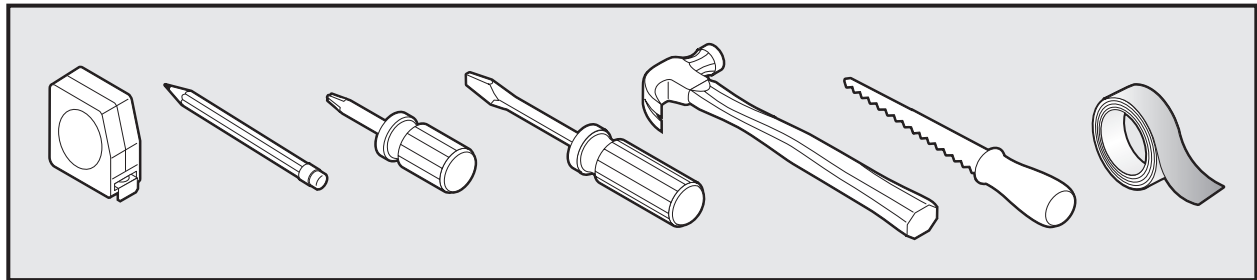
**Check all the parts.
If damaged, call
1-888-830-1326
for replacements.**



*** NOTE:** Strain relief cable connector must be installed. Not Included.



Included.

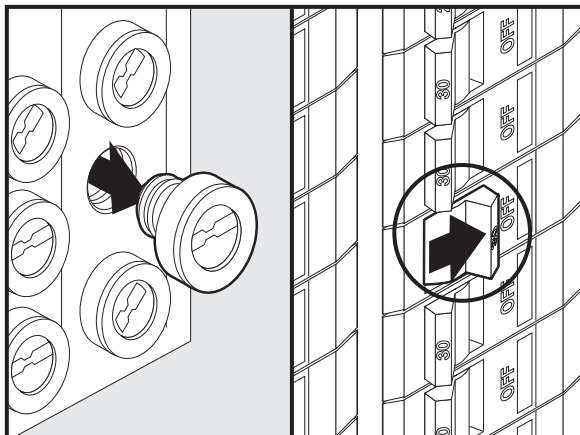


Tools Needed.

Estimated assembly time: 30 to 60 minutes

Before Installation

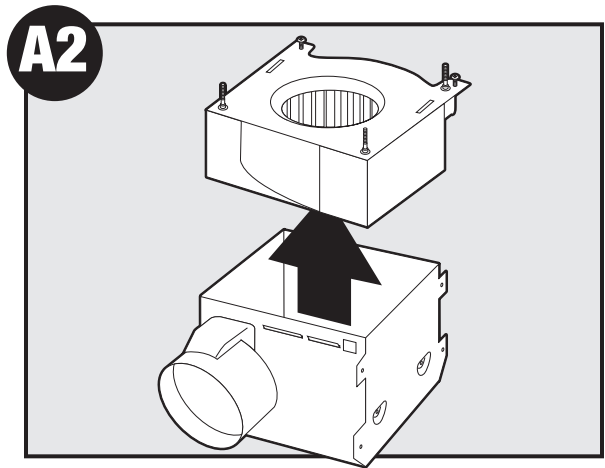
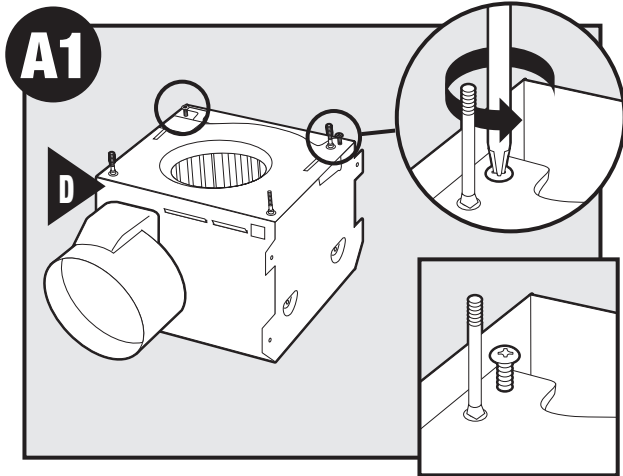
NOTE: Remove all packing materials before installation



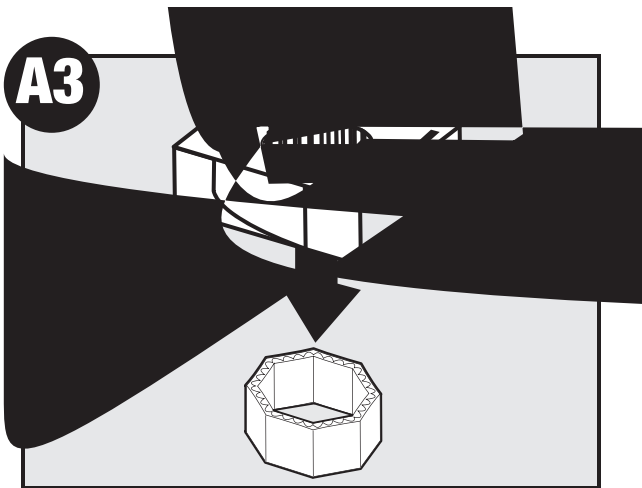
Turn off the power source.

**New construction installation
Go to Step A1, page 4**

**Existing construction
Go to Existing Construction Installation,
page 8**



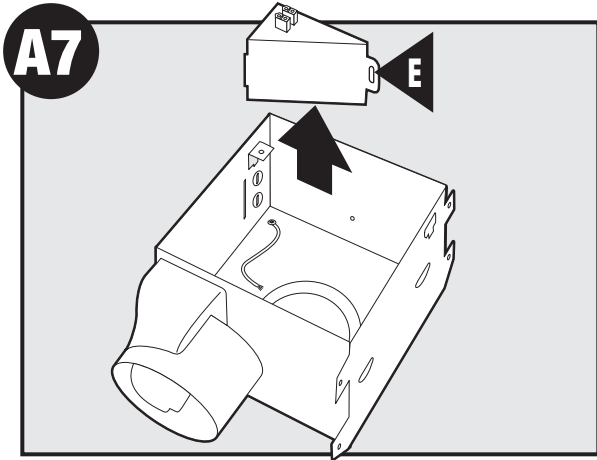
Remove the motor/blower from the housing.



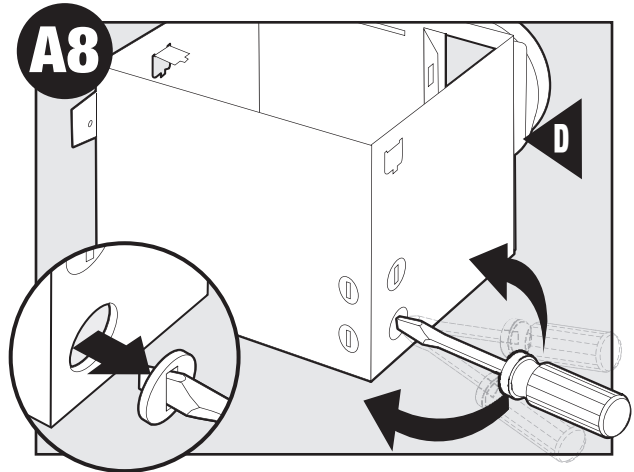
Remove packing material.

Back out the pre-loaded screw tips until flush with the side of the housing.

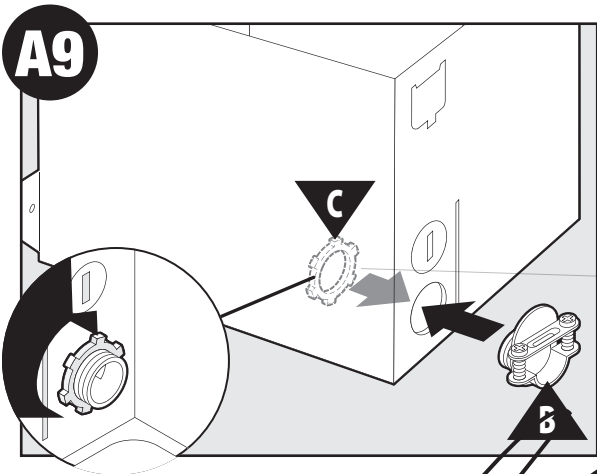
Remove the wiring cover screw.



A7
Remove the wiring cover.

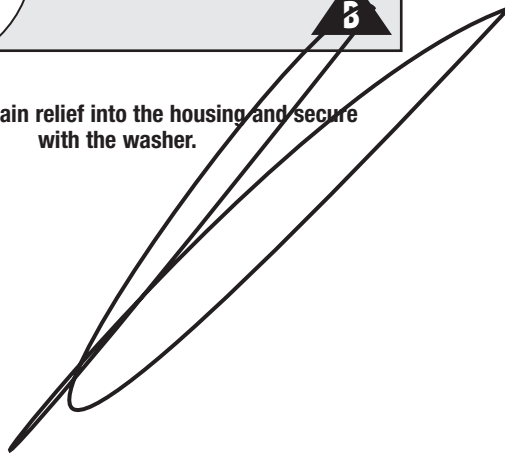


A8
Pop out the first wiring access slug. Use second if needed.



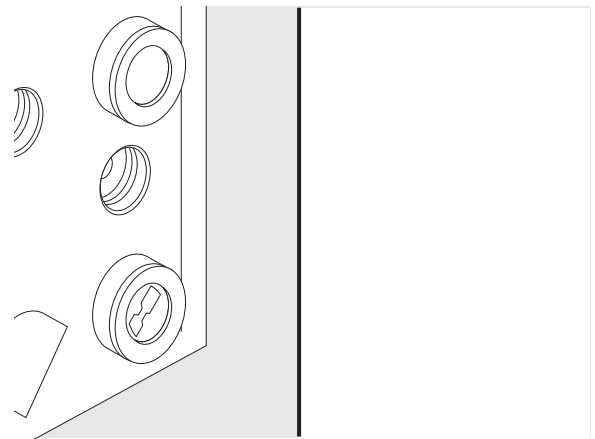
A9
Insert the strain relief into the housing and secure with the washer.

Position the correct depth mark at the bottom edge of the joist—based on the

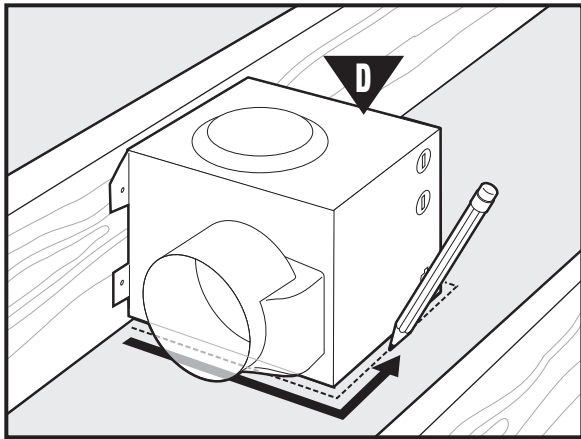


Pull the wires through the strain relief.

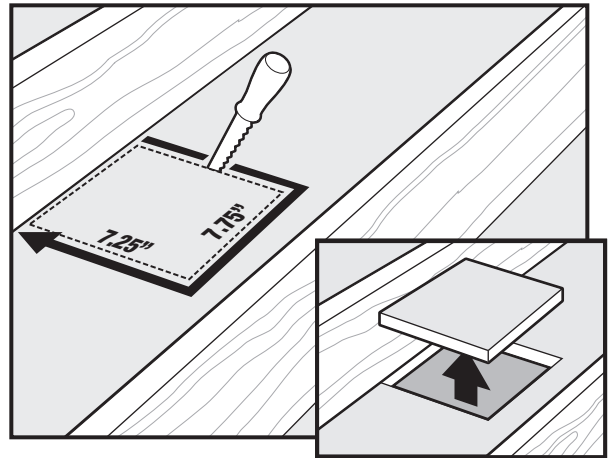
Tighten the strain relief screws.



Existing Construction Installation



Use the motor housing as a template to mark position.



Cut out an opening for the housing.

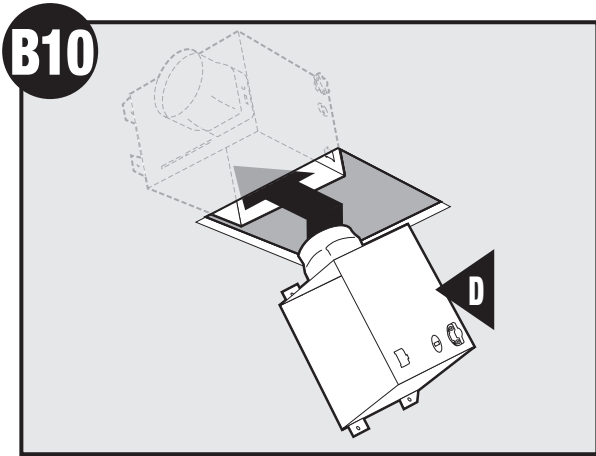
Existing Fan

Remove the existing fan and check to make sure the opening is large enough to accommodate the new motor housing (7.25" x 7.75").

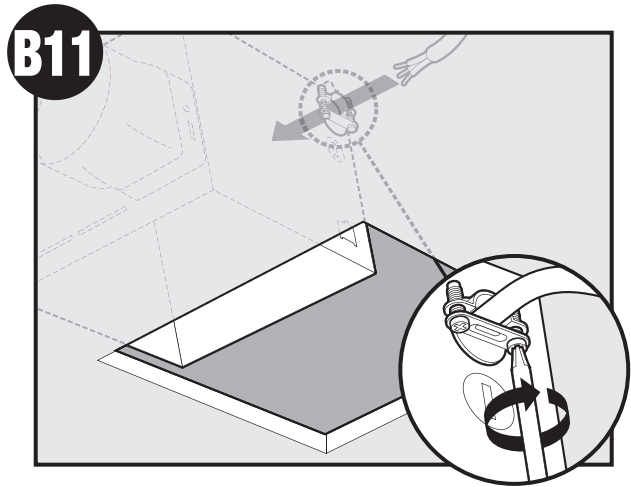
Loosen screw securing motor.

Remove the motor/blower from the housing.

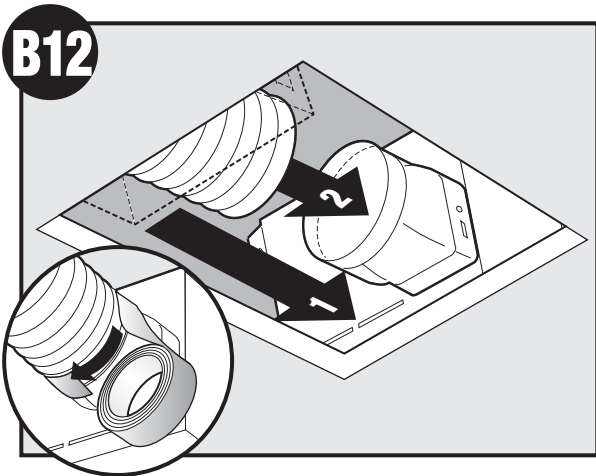
Remove packing material.



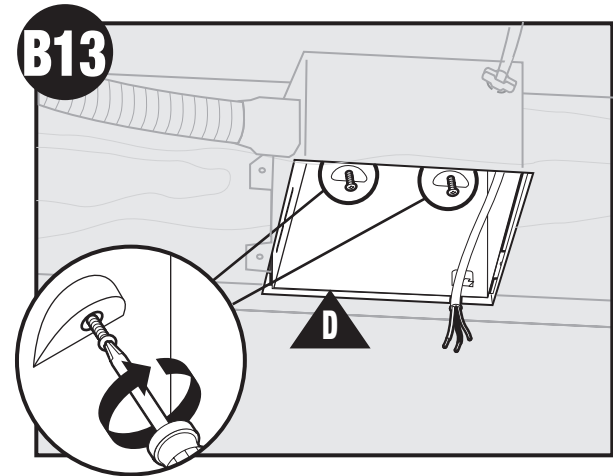
Move the housing into position above the ceiling.



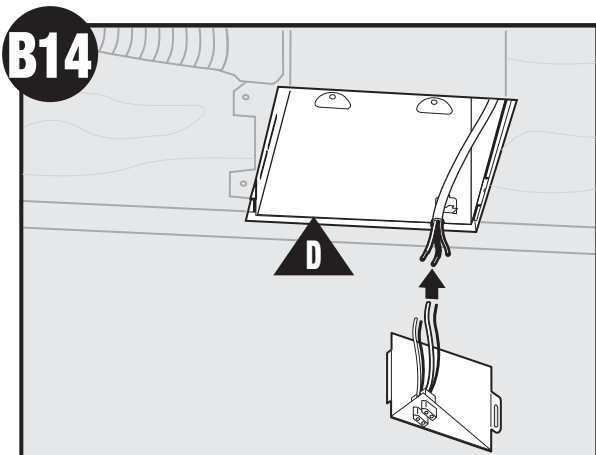
Pull the wires through the strain relief and tighten the strain relief screws.



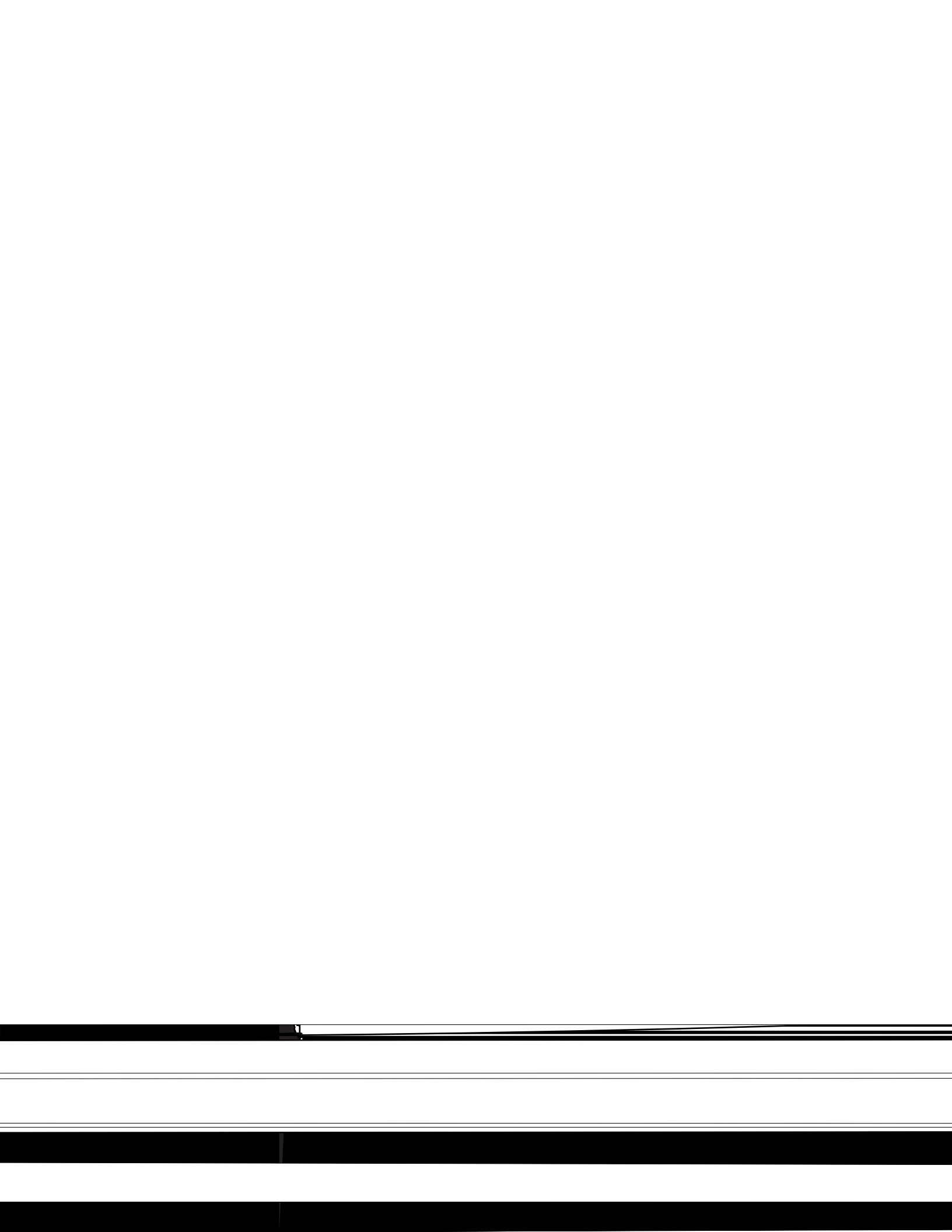
Attach existing ducting to duct connector. Tape joints.
If ducting does not fit securely,
an adapter may need to be purchased.

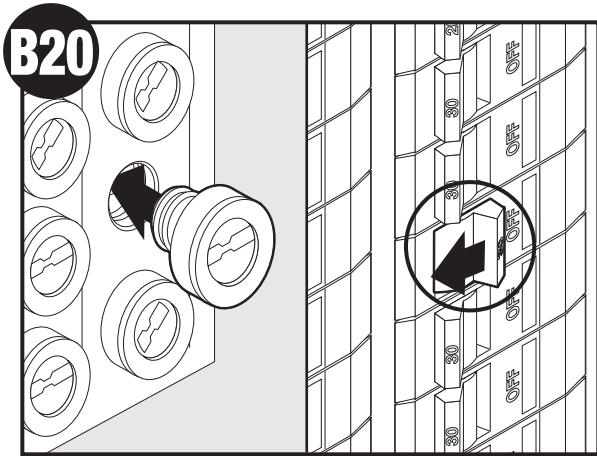


Fit housing into the opening and secure by tightening the pre-loaded screws into the joist.
Note: Install the box flush with the sheetrock (ceiling).

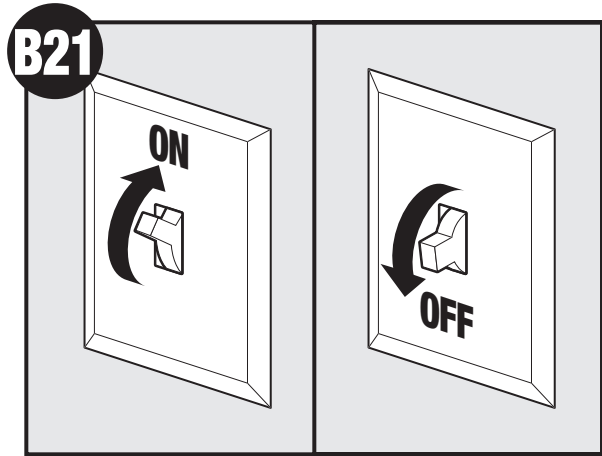


Connect the wiring.





Turn on the power source.



Test the motor. If the motor does not run, check the plug connection.

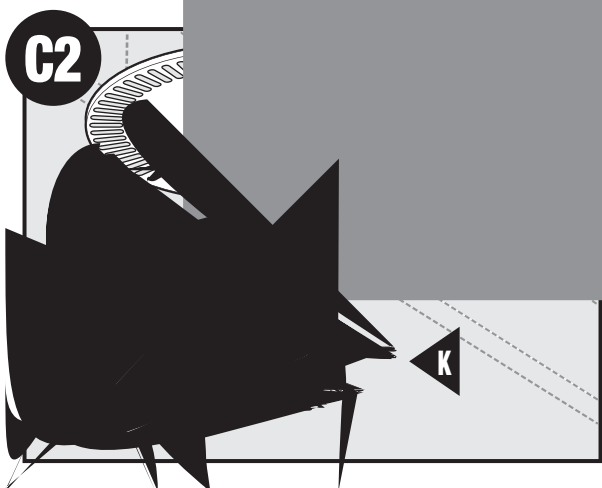
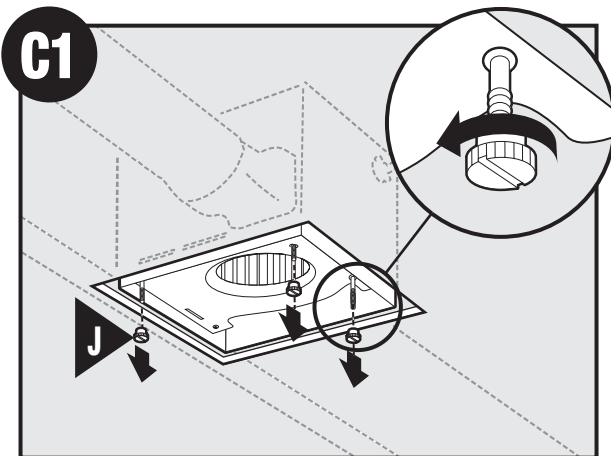
B22

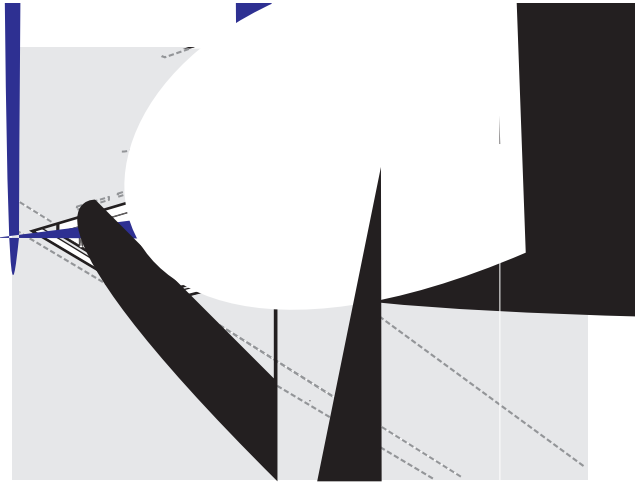
Go to step

C1

to attach grille.

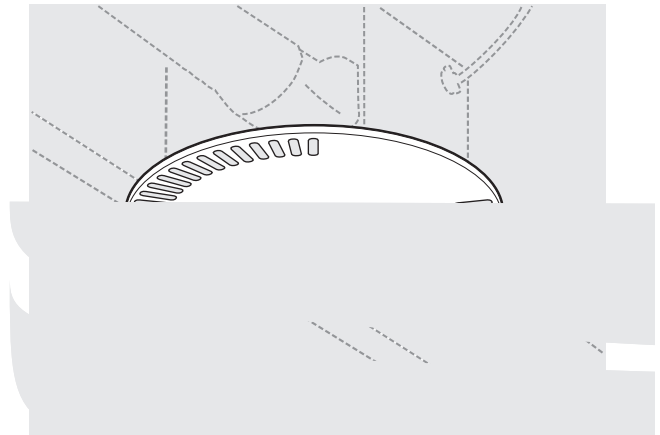
Attaching the Grille





Connect wiring harness.

Slide light mount over posts.



Install 2 Max 60 Watt A15 bulbs (Not Included).

Trouble Shooting

Problem: Fan does not come on.

Solution:

- Hunter Fan Bath Ventilators are extremely quiet. To confirm that the fan is running, place your hand near the vents to feel the air movement.
- Turn power on, replace fuse, or reset breaker.
- Check all plug connections to be sure they are secure.
- Check the wiring to make sure it matches the wiring diagram.

Problem: Light does not come on.

Solution:

- Replace the light bulb with a new bulb.
- Turn power on, replace fuse, or reset breaker.
- Check all plug connections to be sure they are secure.
- Check the wiring to make sure it matches the wiring diagram.

Problem: Fan is noisy.

Solution:

- Check and tighten all fasteners.
- Check the glass to make sure it is secure.
- Check the flapper to make sure it moves freely.

If you need parts or service assistance, please call 888-830-1326 or visit us at our WEB site at <http://www.hunterfan.com>.

Warranty

Hunter Fan Company
Bath Exhaust Fan
LIMITED WARRANTY

Hunter Fan Company makes the following limited warranty to the original user or consumer purchaser of this Hunter bath exhaust fan:

If any part of your Hunter bath exhaust fan (except for glass fixtures and light bulbs) fails at any time within one year after the date of sale to you due to a defect in material or workmanship, we will repair or, at our option, replace the defective part free of charge for parts and labor performed at our nearest service center or at our Service Department in Memphis, Tennessee. After this one-year period, you will be responsible for all parts and labor costs for repairs on the bath exhaust fan except for motor repairs as provided below.

If your Hunter bath exhaust fan motor fails at any time within five years after the date of sale to you due to a defect in material or workmanship, labor and materials to repair the defect will be provided free of charge at our nearest service center or our Service Department in Memphis, Tennessee. If no replacement part can be provided, we will, at our option, either refund the actual purchase price of your bath exhaust fan or provide a replacement free of charge. After this five-year period, you will be responsible for all parts and labor costs for repairs on all parts of the bath exhaust fan.

IF THE ORIGINAL USER OR CONSUMER PURCHASER CEASES TO OWN THE FAN, THIS WARRANTY AND ANY IMPLIED WARRANTY WHICH THEN REMAINS IN EFFECT, INCLUDING BUT NOT LIMITED TO ANY IMPLIED WARRANTY OF MERCHANTABILITY OR FITNESS FOR A PARTICULAR PURPOSE, ARE VOIDED. NO WARRANTY, EXPRESS OR IMPLIED, INCLUDING ANY WARRANTY OF MERCHANTABILITY OR FITNESS FOR A PARTICULAR PURPOSE, IS MADE IN RESPECT OF GLASS FIXTURES OR LIGHT BULBS OR THE FINISH ON ANY METAL PORTION OF THE BATH EXHAUST FAN.

THIS WARRANTY IS IN LIEU OF ALL OTHER EXPRESS WARRANTIES. THE DURATION OF ANY IMPLIED WARRANTY, INCLUDING, BUT NOT LIMITED TO, ANY IMPLIED WARRANTY OF MERCHANTABILITY OR FITNESS FOR A PARTICULAR PURPOSE, IN RESPECT TO ANY HUNTER FAN BATH EXHAUST FAN MOTOR OR OTHER FAN PART, IS EXPRESSLY LIMITED TO THE PERIOD OF THE EXPRESS WARRANTY SET FORTH ABOVE FOR SUCH MOTORS OR OTHER PARTS.

This warranty is voided if your Hunter bath exhaust fan is not purchased and installed in the U.S.A. This warranty excludes and does not cover defects, malfunctions or failures of any Hunter bath exhaust fan which were caused by repairs by persons not authorized by us, use of parts or accessories not authorized by us, mishandling, improper installation, modifications or damage to the Hunter bath exhaust fan while in your possession, or unreasonable use, including failure to provide reasonable and necessary maintenance.

To obtain servicing, contact the nearest Hunter authorized service center of the Hunter Fan Company Service Department, 2500 Frisco Avenue, Memphis, Tennessee 38114. Please contact us before shipping your bath exhaust fan to us. If we authorize you to ship it to us, you will be responsible for all insurance and freight or other transportation charges to our factory or service center. We will return your Hunter bath exhaust fan freight prepaid. Your Hunter bath exhaust fan should be properly packed to avoid damage in transit since we will not be responsible for any such damage. Proof of purchase is required when requesting warranty service. The purchaser must present the sales receipt or other document that establishes proof of purchase.

IN NO EVENT SHALL HUNTER FAN COMPANY BE LIABLE FOR CONSEQUENTIAL OR INCIDENTAL DAMAGES.

SOME STATES DO NOT ALLOW LIMITATIONS ON HOW LONG AN IMPLIED WARRANTY LASTS OR THE EXCLUSION OR LIMITATION OF INCIDENTAL OR CONSEQUENTIAL DAMAGES SO THE ABOVE LIMITATION OR EXCLUSIONS MAY NOT APPLY TO YOU.

THE WARRANTY GIVES YOU SPECIFIC LEGAL RIGHTS AND YOU MAY ALSO HAVE OTHER RIGHTS WHICH VARY FROM STATE TO STATE.

Free Manuals Download Website

<http://myh66.com>

<http://usermanuals.us>

<http://www.somanuals.com>

<http://www.4manuals.cc>

<http://www.manual-lib.com>

<http://www.404manual.com>

<http://www.luxmanual.com>

<http://aubethermostatmanual.com>

Golf course search by state

<http://golfingnear.com>

Email search by domain

<http://emailbydomain.com>

Auto manuals search

<http://auto.somanuals.com>

TV manuals search

<http://tv.somanuals.com>