



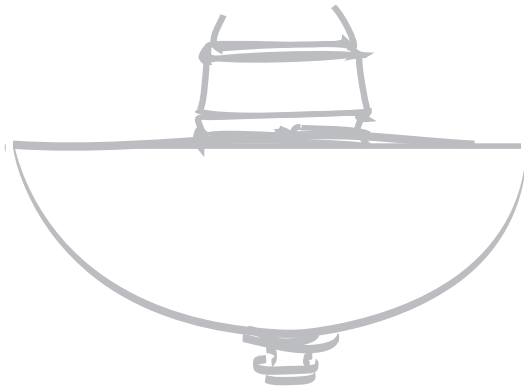
SINCE

1886

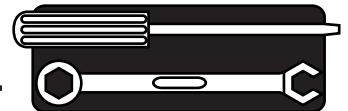
Installation Instructions

For Hunter Ceiling Fan Light Kits

Aurora Style



Preparing for Installation



⚠ CAUTIONS

- **Read entire text carefully before beginning installation and save these instructions.**
- **To reduce the risk of electrical shock, install this light kit only on listed Hunter ceiling fans type A through Z.**

⚠ WARNINGS

- **To avoid possible electrical shock, before installing light fixtures, disconnect power by turning off the circuit breakers both to the outlet box and to its associated wall switch location. If you cannot lock the circuit breakers in the off position, securely fasten a prominent warning device, such as a tag, to the service panel.**
- **Connect house wiring to the fan before attaching the light fixture to the fan.**
- **All wiring must be in accordance with national and local electrical codes. If you are unfamiliar with wiring, you should use a qualified electrician. Professional installation is recommended.**

1. Unassemble the fan switch housing as shown in Figure 1.
2. Disconnect the upper and lower plug connectors between the upper switch housing and lower switch housing.

Note: Do not discard any parts. You will need to replace it if you remove the light fixture in the future.

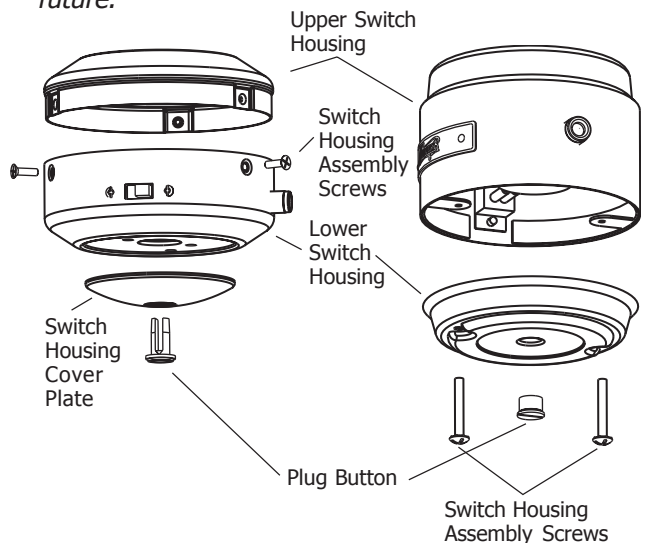


Figure 1 - Unassembling the fan switch housing

Installing the Light Fixture



1. Insert the black wire and white wire from the light kit assembly through the hole in the bottom of the lower switch housing. Refer to Figures 2 and 3.
2. Securely tighten the light kit assembly into the bottom of the lower switch housing. Refer to Figure 3.
3. Install the nut and washer onto the end of the light kit assembly inside of the lower switch housing. Securely tighten the nut and washer. Insert and tighten the two #6-32 sems light fixture mounting screws. Refer to Figure 3.
4. Using the wire nuts on the two light kit wires in the lower switch housing, connect the black wire from the light kit assembly to the black/white wire from the lower switch housing and connect the white wire from the light kit assembly to the white wire from the lower switch housing.
5. Reconnect the upper plug connector from the upper switch housing to the lower plug connector in the lower switch housing. Refer to Figure 4.

Note: Both plug connectors are polarized and will only fit together one way. Make sure that both connectors are properly aligned before connecting them together. Incorrect connection could cause improper operation and damage to the product.

6. Align the holes in the upper switch housing and the lower switch housing. Securely tighten the three switch housing assembly screws. Refer to Figure 1 and 4.

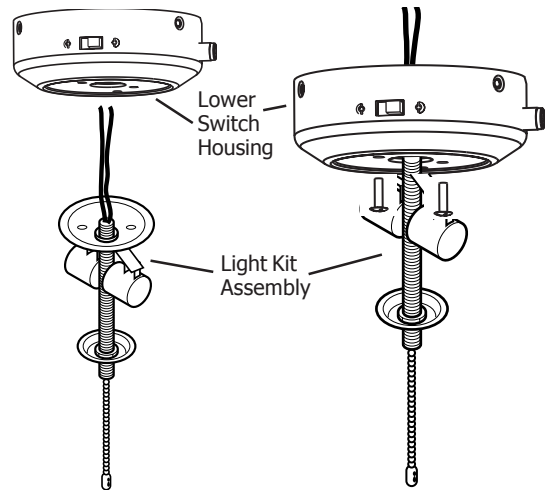


Figure 2 - Assembling the Light Kit

Figure 3 - Attached Light Kit Assembly

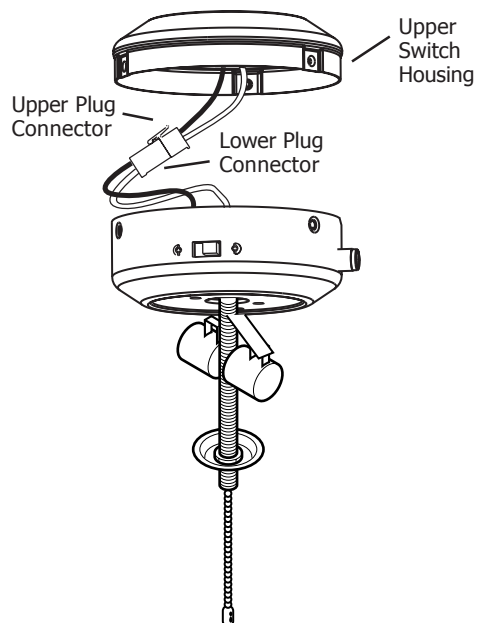
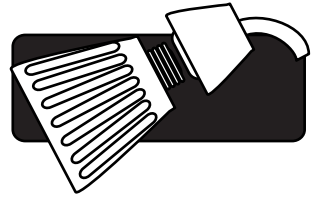


Figure 4 - Connecting the Plug Connectors

Installing Globes and Bulbs



Thread the fan switch pull chain through the grommetted hole in the light fixture bracket. Unfasten the extra chain looped through the hole in the lower mounting cap and attach it to the fan switch pull chain. Repeat for light switch pull chain.

Refer to Figures 5, 6 and 7.

1. Install bulbs. Use 60W Max, A-15 bulbs.
2. Thread the fan switch pull chain through the hole in the metal disk.
3. Place globe on pipe until flush against metal disk.
4. Thread the light switch pull chain through the large center opening of the globe.
5. Thread the fan switch pull chain through the small center opening in the globe.
6. Place the cover plate up against the underside of the globe. Pass light and fan switch pull chains through the appropriate holes.
7. Thread the light switch pull chain through the finial and screw the cap onto the pipe end until tight.

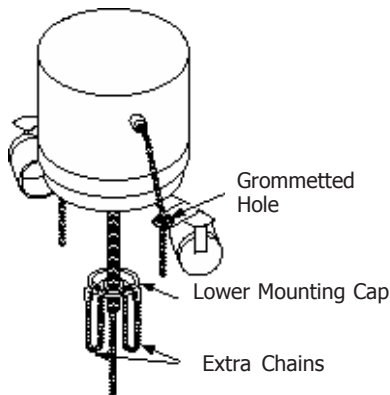


Figure 5 - Threading Fan Switch Pull Chain through Grommet

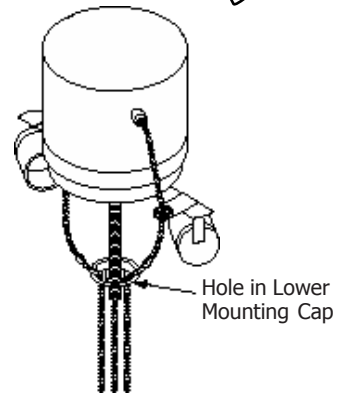


Figure 6 - Attaching Fan Switch Pull Chain Extension

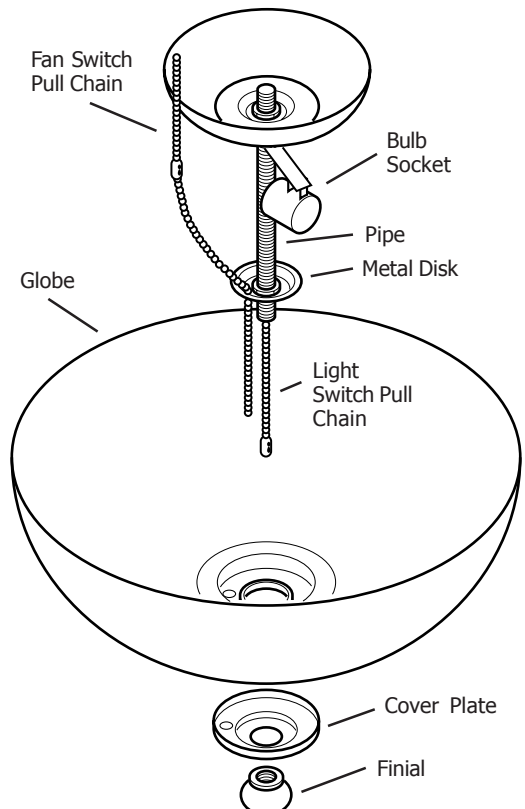


Figure 7 - Aurora Fixtures



Hunter Fan Company
2500 Frisco Avenue
Memphis, Tennessee 38125
United States of America

Free Manuals Download Website

<http://myh66.com>

<http://usermanuals.us>

<http://www.somanuals.com>

<http://www.4manuals.cc>

<http://www.manual-lib.com>

<http://www.404manual.com>

<http://www.luxmanual.com>

<http://aubethermostatmanual.com>

Golf course search by state

<http://golfingnear.com>

Email search by domain

<http://emailbydomain.com>

Auto manuals search

<http://auto.somanuals.com>

TV manuals search

<http://tv.somanuals.com>