

**For Your Records and
Warranty Assistance**

For reference, also attach your receipt or a copy
of your receipt to the manual.

Model Name

Model No.

Date Purchased

Where Purchased

Type 7 Models

Owner's Guide and Installation Manual

English

Español

Form# 45051-01
20090316
©2009 Hunter Fan Co.

SINCE 1886
Hunter[®]



Five Minute Fan

90% Pre-Assembled Out Of The Box!

Makes Installation Fast & Easy

1. Install mounting bracket and make wiring connections
2. Attach EasyLock™ Blades

Installation is complete!

Please follow the detailed installation instructions inside this manual

45051-01 • 03/16/09 • Hunter Fan Company

Welcome



The Hunter 5-Minute Fan can be installed by most users in 5 minutes or less!

**5 Minute time interval does not include Section 2: Installing the Ceiling Plate*

Table of Contents

1 • Getting Ready.....	4
2 • Installing the Hanger Bracket	5
3 • Assembling and Hanging the Fan	6
4 • Wiring the Fan.....	8
5 • Installing the Canopy and Canopy Trim Ring	9
6 • Assembling the Blades.....	10
7 • Operating and Cleaning Your Ceiling Fan	11
8 • Troubleshooting.....	12

Your new Hunter® ceiling fan is an addition to your home or office that will provide comfort and performance for many years. This installation and operation manual gives you complete instructions for installing and operating your fan.

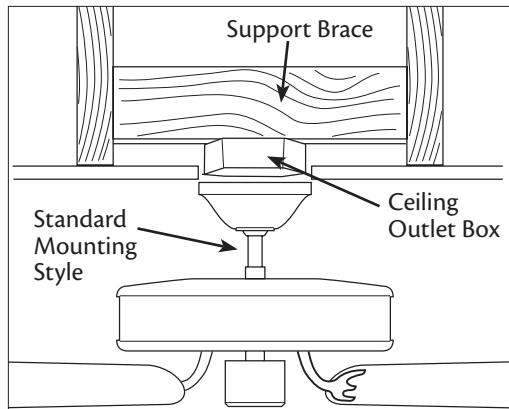
We are proud of our work. We appreciate the opportunity to supply you with the best ceiling fan available anywhere in the world.

Before installing your fan, for your records and warranty assistance, record information from the carton and Hunter nameplate label (located on the top of the fan motor housing).

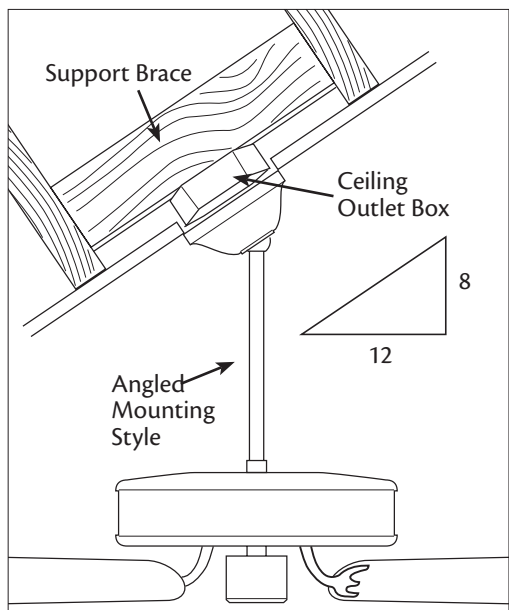
Cautions and Warnings

- **READ THIS ENTIRE MANUAL CAREFULLY BEFORE BEGINNING INSTALLATION. SAVE THESE INSTRUCTIONS.**
- Use only Hunter replacement parts.
- To reduce the risk of personal injury, attach the fan directly to the support structure of the building according to these instructions, and use only the hardware supplied.
- To avoid possible electrical shock, before installing your fan, disconnect the power by turning off the circuit breakers to the outlet box and associated wall switch location. If you cannot lock the circuit breakers in the off position, securely fasten a prominent warning device, such as a tag, to the service panel.
- All wiring must be in accordance with national and local electrical codes and ANSI/NFPA 70. If you are unfamiliar with wiring, use a qualified electrician.
- To reduce the risk of personal injury, do not bend the blade attachment system when installing, balancing, or cleaning the fan. Never insert foreign objects between rotating fan blades.
- To reduce the risk of fire, electrical shock, or motor damage, do not use a solid-state speed control with this fan. Use only Hunter speed controls.

Installer's Choice and Optional Accessories



Standard Mounting hangs from the ceiling by a downrod (included).



Angled Mounting recommended for a vaulted or angled ceiling

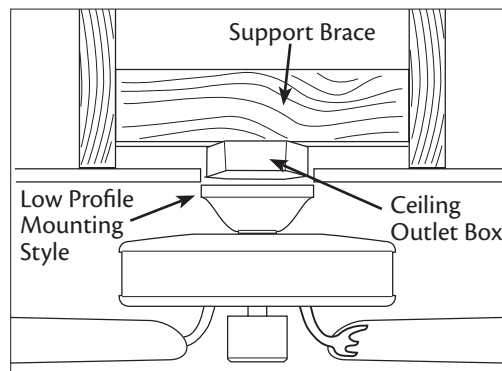
Understanding Mounting and Installer's Choice®

Hunter's patented 3-position mounting system provides you maximum installation flexibility and ease. You can install your Hunter fan in one of three ways, depending on ceiling height and your preference: Low Profile, Standard, or Angled mounting. The steps in this manual include instructions for all three Installer's Choice mounting methods.

Considering Optional Accessories

Consider using Hunter's optional accessories, including a wall-mounted or remote speed control. To install and use the accessories, follow the instructions included with each product. For quiet and optimum performance of your Hunter fan, use only Hunter speed controls.

For ceilings higher than 8 feet, you can purchase Hunter extension downrods. All Hunter fans use sturdy 3/4" diameter pipe to assure stability and wobble-free performance.



Low Profile Mounting fits close to the ceiling, recommended for ceilings less than 8 feet high

▲ CAUTION: To reduce the risk of personal injury, attach the fan directly to the support structure of the building according to these instructions, and use only the hardware supplied.

1 • Getting Ready

To install a ceiling fan, be sure you can do the following:

- Locate the ceiling joist or other suitable support in ceiling.
- Drill holes for and install wood screws.
- Identify and connect electrical wires.
- Lift 40 pounds.

If you need help installing the fan, your Hunter fan dealer can direct you to a licensed installer or electrician.

Gathering the Tools

You will need the following tools for installing the fan:

- Electric drill with 9/64" bit
- Standard screwdriver (magnetic tip recommended)
- Phillips-head screwdriver (magnetic tip recommended)
- Wrench or pliers
- Ladder (height dependent upon installation site)

Checking Your Fan Parts

Carefully unpack your fan to avoid damage to the fan parts. Refer to the included Parts Guide. Check for any shipping damage to the motor or fan blades. If any parts are missing or damaged, contact your Hunter dealer or call Hunter Technical Support Department at 888-830-1326.

Preparing the Fan Site

Before you begin installing the fan, follow all the instructions in the pullout sheet called "Preparing the Fan Site." Proper ceiling fan location and attachment to the building structure are essential for safety, reliable operation, maximum efficiency, and energy savings.

Installing Multiple Fans?

If you are installing more than one fan, keep the fan blades and blade irons (if applicable) in sets, as they were shipped.

2 • Installing the Hanger Bracket

- 2-1. Drill two pilot holes into the wood support structure through the outermost holes in the outlet box. The pilot holes should be $9/64$ " in diameter.

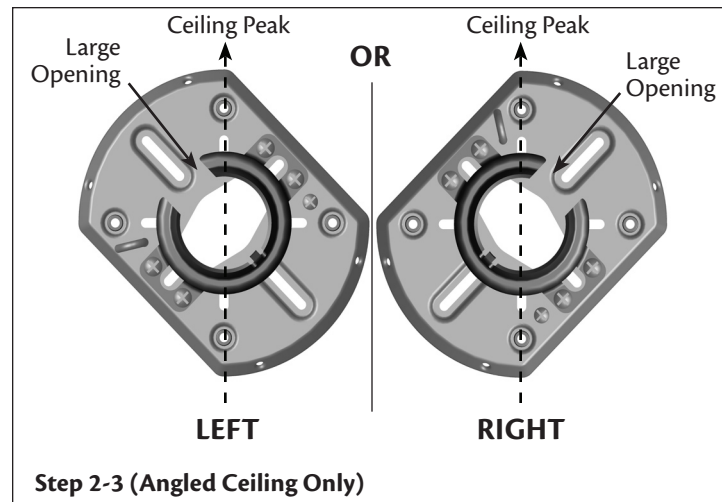
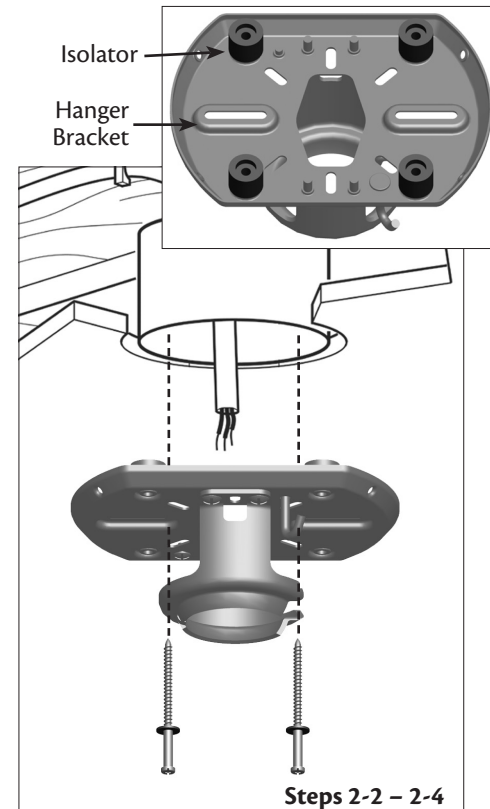
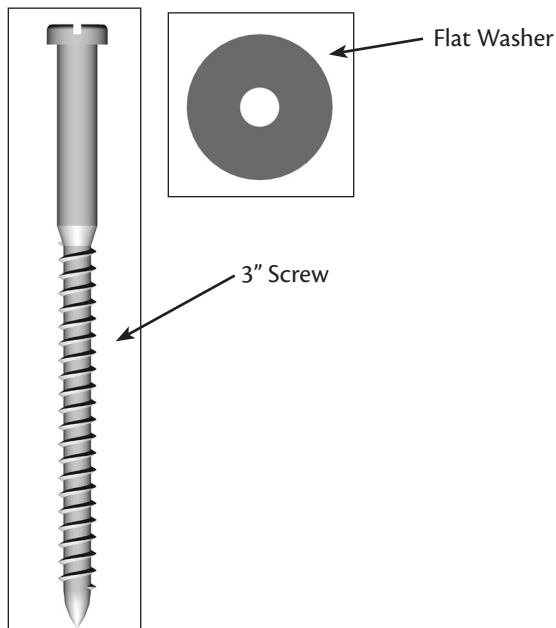
Note: Your fan comes with four pre-installed neoprene noise isolators.

- 2-2. Thread the lead wires from the outlet box down through the hole in the middle of the hanger bracket.
- 2-3. Align the slotted holes in the hanger bracket with the pilot holes you drilled in the wood support structure. For proper alignment use slotted holes directly across from each other. If you are installing the fan on an **ANGLED** ceiling, be sure to orient the hanger bracket as shown in Illustration 2-3 (left or right view).

Note: The isolators should be flush against the ceiling.

- 2-4. Place a flat washer on each of the two 3" screws and pass the screws through the slotted holes in the hanger bracket into the pilot holes you drilled.

Tighten the screws into the $9/64$ " pilot holes; do not use lubricants on the screws. Do not over tighten.



3 • Assembling and Hanging the Fan

You can assemble your fan for **standard** or **angled** mounting as shown in steps 3-1 – 3-3. For **low profile** mounting (ceilings less than 8 feet high), go to steps 3-6 – 3-9 on the next page.

3-1. To assemble fan to hang down from a flat or angled ceiling, place the canopy and canopy trim ring around the adapter so that they rest on the fan assembly.

3-2. Feed the wires from the fan through the downrod.

Note: Make sure all the wires are on the same side of the metal dowel pin inside the downrod.

3-3. Loosen the square head set screw on the adapter to install the pipe and ball assembly. **Note:** When the pipe and ball assembly is fully installed, 2-3 threads on the pipe will still be visible; this is normal. Securely retighten the set screw with a wrench or pliers.

▲ CAUTION: The adapter has a special coating on the threads. Do not remove this coating; the coating prevents the downrod from unscrewing. Once assembled, do not remove the downrod.

▲ WARNING: Do not carry or lift fan by canopy.

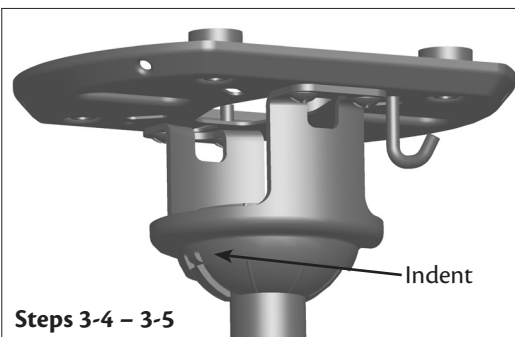
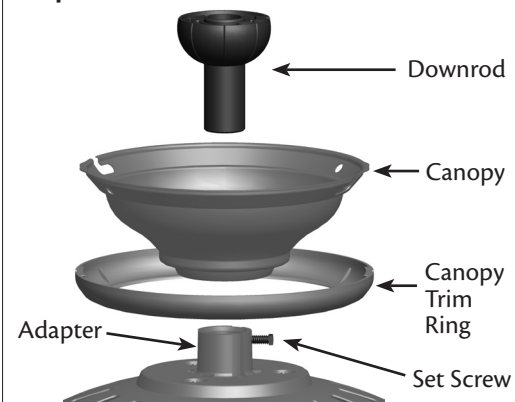
3-4. Raise the fan and place the ball into the hanger bracket.

3-5. Align the notch on the ball with the indent in the hanger bracket. (Rotate the fan until you hear the notch pop into place.)

Go to **4 • Wiring the Fan.**

▲ WARNING: Fan may fall if not assembled as directed in these installation instructions.

Steps 3-1 – 3-3

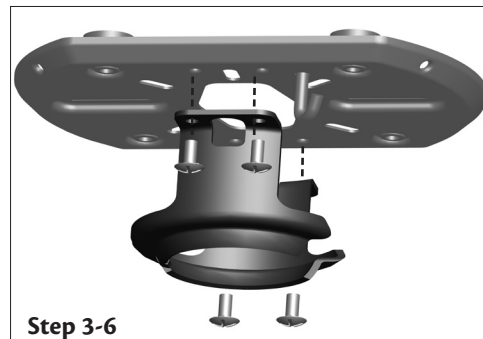


3 • Assembling and Hanging the Fan (Low Profile Only)

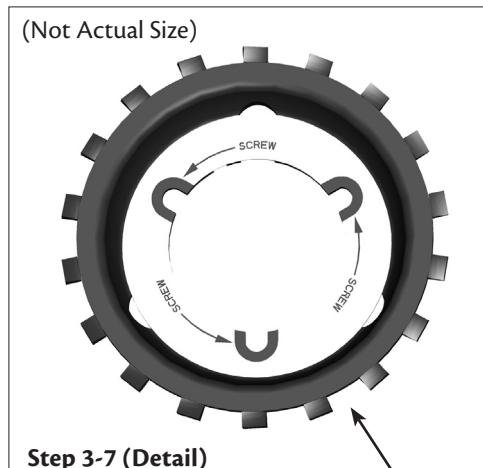
You can assemble your fan for **standard** or **angled** mounting as shown in steps 3-1 – 3-3 on the previous page. For **low profile** mounting (ceilings less than 8 feet high), see steps 3-6 – 3-10 on this page.

- 3-6. Remove the screws from the hanger ball bracket.
- 3-7. Place the low profile washer from the parts sack into the canopy.
- 3-8. Place the canopy trim ring and canopy with washer on top of the fan assembly.
- 3-9. Align the screw holes in the washer with the holes in the adapter. Assemble securely with three #8-32 x 3/4" screws.
- 3-10. Raise the fan and place the hook on the hanger bracket through the round hole in the rim of the canopy.

⚠ WARNING: Fan may fall if not assembled as directed in these installation instructions.

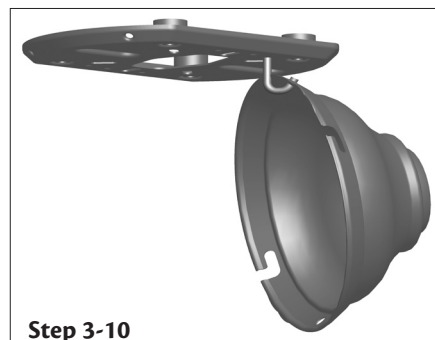
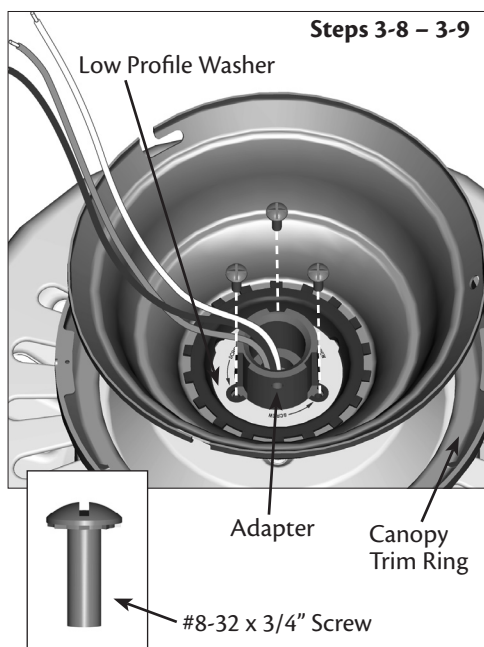


Step 3-6



Step 3-7 (Detail)

Low Profile Washer



Step 3-10

4 • Wiring the Fan

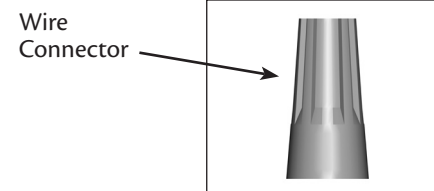
All wiring must be in accordance with national and local electrical codes and ANSI/NFPA 70. If you are unfamiliar with wiring, use a qualified electrician.

Wall switches are not included. Select an acceptable general-use switch in accordance with national and local electrical codes.

- 4-1. Before attempting installation, make sure the power is still off.
- 4-2. To connect the wires, hold the bare metal leads together and place a wire connector over them, then twist clockwise until tight. For all these connections use the wire connectors provided.
- 4-3. Connect the bare or green ground wire (grounding) from the ceiling to the green ground wire (grounding) from the ceiling plate and the green ground wire (grounding) from the fan.
- 4-4. Connect the white wire (grounded) from the ceiling to the white wire (grounded) from the fan.
- 4-5. Connect the remaining wires as follows:
 - The black wire (ungrounded) from the ceiling to the black (ungrounded) and the black/white wire (ungrounded) from the fan

⚠ CAUTION: Be sure no bare wire or wire strands are visible after making connections.

- 4-6. Turn the wire connectors upward and push them carefully back through the ceiling plate into the outlet box.
- 4-7. Spread the wires apart, with the grounded wires on one side of the outlet box and the ungrounded wires on the other side of the outlet box.

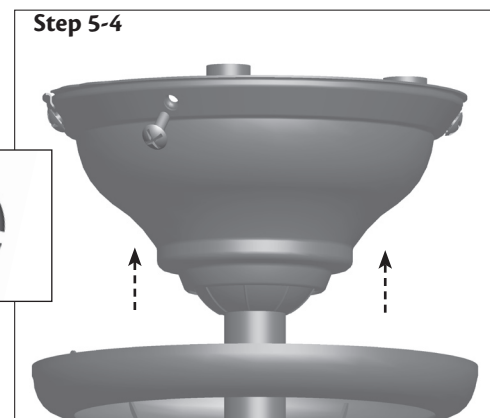
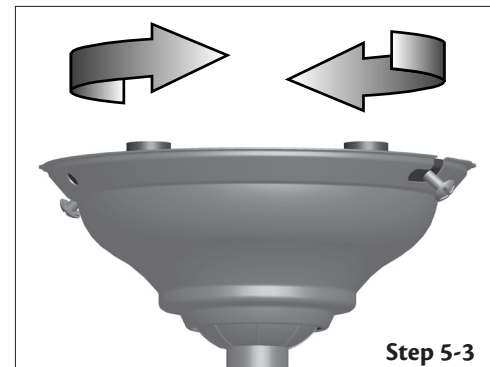
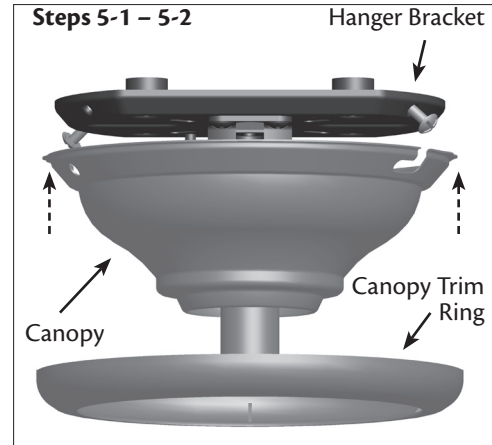
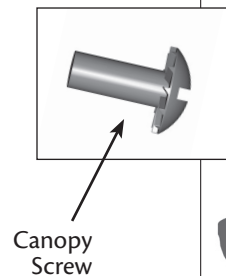
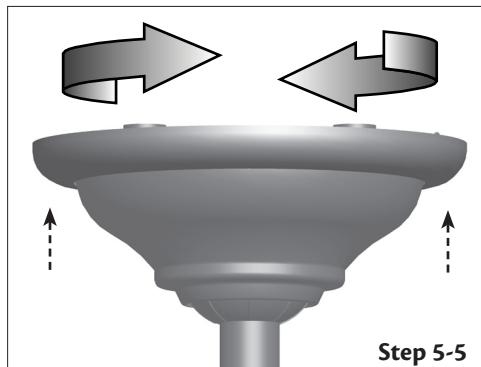


5 • Installing the Canopy and Canopy Trim Ring

- 5-1. Partially install two canopy screws (about 2 full turns) in the hanger bracket.
- 5-2. Raise the canopy over the hanger bracket. Align partially installed screws with key slots in canopy.
- 5-3. Twist canopy clockwise to secure.
- 5-4. Install third and fourth canopy screw in round hole on canopy. Securely tighten all four screws.
- 5-5. Using both hands, push the canopy trim ring up to the top of the canopy.
- 5-6. Twist canopy trim ring clockwise to secure the canopy.

Should you need to remove the canopy trim ring, follow these steps:

1. Twist canopy trim ring counterclockwise until it releases from canopy.

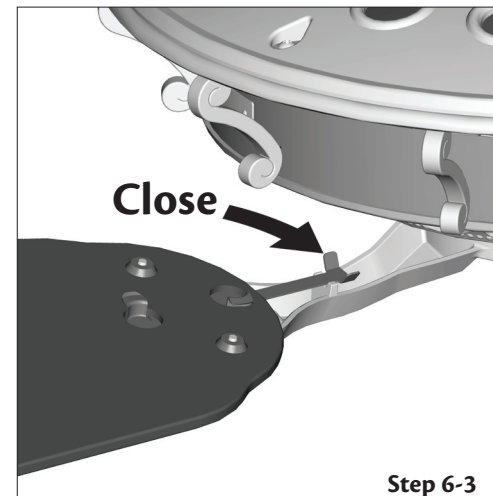
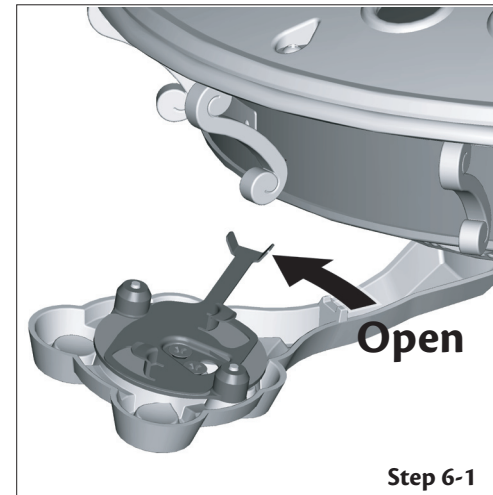


6 • Assembling the Blades

Our exclusive Easy Lock™ blade assembly enables you to lock the blades in place without tools and to remove the blades easily for cleaning.

- 6-1. Open the locking mechanism.
- 6-2. Align the holes in the blade with the blade iron.
- 6-3. Close the locking mechanism securely. You will feel it lock into place.
- 6-4. Repeat steps 6-1 through 6-3 until all blades are installed.

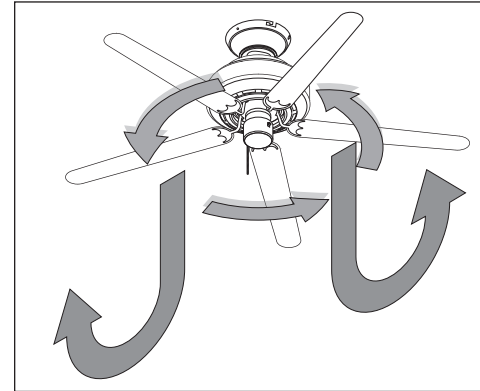
Note: You can customize your Hunter fan with a number of accessory light kits.



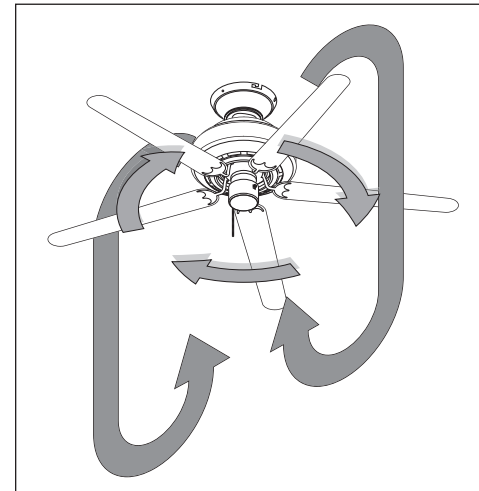
Attach EasyLock™ Blades

7 • Operating and Cleaning Your Ceiling Fan

- 7-1. Turn on electrical power to the fan.
- 7-2. The fan pull chain controls power to the fan. The pull chain has four settings in sequence: High, Medium, Low and Off.
 - Pull the chain slowly to change settings.
 - Release slowly to prevent the chain from recoiling into the blades.
 - The chain uses a breakaway connector that separates if the chain is jerked. If this happens, simply reinsert the chain into the connector.
- 7-3. Ceiling fans work best by blowing air downward (counterclockwise blade rotation) in warm weather to cool the room with a direct breeze. In winter, having the fan draw air upward (clockwise blade rotation) will distribute the warmer air trapped at the ceiling around the room without causing a draft.
- 7-4. For cleaning finishes, use a soft brush or lint-free cloth to prevent scratching. A vacuum cleaner brush nozzle can remove heavier dust. Remove surface smudges or accumulated dirt and dust using a mild detergent and a slightly dampened cloth. You may use an artistic agent, but never abrasive cleaning agents as they will damage the finish.
- 7-5. Clean wood finish blades with a furniture polishing cloth. Occasionally, apply a light coat of furniture polish for added protection and beauty. Clean painted and high-gloss blades in the same manner as the fan finish.



In warm weather, use downward air flow pattern

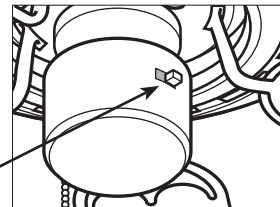


In cold weather, use upward air flow pattern

To Change Airflow Direction

Turn the fan off and let it come to a complete stop. Slide the reversing switch on the fan to the opposite position. Restart fan.

Reversing
Switch



8 • Troubleshooting

Problem: Nothing happens; fan does not move.

1. Turn power on, replace fuse, or reset breaker.
2. Loosen canopy, check all connections according to the wiring the fan section.
3. Check the plug connection in the switch housing.
4. Push motor reversing switch firmly left or right to ensure that the switch is engaged.
5. Pull the pull chain to ensure it is on.
6. Remove the shipping bumpers.

Problem: Noisy operation.

1. Tighten the blade assembly screws and blade iron armature screws until snug.
2. Check to see if the blade is cracked. If so, replace all the blades.

Problem: Excessive wobbling.

1. If your fan wobbles when operating, use the enclosed balancing kit and instructions to balance the fan.
2. Tighten all blade iron screws.
3. Turn power off, support fan very carefully, and check that the hanger ball is properly seated.

If you need parts or service assistance, please call 888-830-1326 or visit us at our Web site at <http://www.hunterfan.com>.

Hunter Fan Company
7130 Goodlett Farms Pkwy. #400
Memphis, Tennessee 38016

Free Manuals Download Website

<http://myh66.com>

<http://usermanuals.us>

<http://www.somanuals.com>

<http://www.4manuals.cc>

<http://www.manual-lib.com>

<http://www.404manual.com>

<http://www.luxmanual.com>

<http://aubethermostatmanual.com>

Golf course search by state

<http://golfingnear.com>

Email search by domain

<http://emailbydomain.com>

Auto manuals search

<http://auto.somanuals.com>

TV manuals search

<http://tv.somanuals.com>