

WHISPERWIND 2000™

Year-Round Comfort For the Next Generation

Installation and Operation Manual



Type X



CONGRATULATIONS!

Hunter is proud to present the Whisperwind 2000™ – year-round comfort for the next generation. This manual gives you complete instructions for installing and operating your fan.

All Hunter ceiling fans will provide comfort and performance in your home or office for many years. The Hunter Whisperwind 2000™ also provides the following features:

- The AirMax™ (patent pending) motor is quieter, provides better air flow, and comes with a limited lifetime warranty.
- The new, Hands-Free™ (patent pending) hanging system makes wiring the fan even easier.

- The Speed Ring™ (patent pending) blade attachment system lets you attach the entire blade assembly in a few simple steps – eliminating the need to attach each blade to a hanging fan!

We at Hunter are proud of our work. We appreciate the opportunity to supply you with the best ceiling fan available anywhere in the world - the Whisperwind 2000™.

Before installing your fan, record the following information for your records and warranty assistance. Please refer to the carton and the Hunter nameplate (located on top outside fan motor housing) for the proper information.

Model Name _____

Catalog No. _____

Serial No. _____

Date Purchased _____

Where Purchased _____

Please attach your Hardware Kit and Parts Drawing to this manual for future reference.

**Attach Your Receipt
or a Copy of
Your Receipt Here**



CONTENTS

| | |
|---|----|
| Important Information | 4 |
| Step 1 - Getting Ready | 5 |
| Step 2 - Installing the Ceiling Plate | 7 |
| Step 3 - Assembling the Fan | 9 |
| Step 4 - Wiring the Fan | 11 |
| Step 5 - Hanging the Fan | 13 |
| Step 6 - Attaching Blade Assembly | 14 |
| Step 7 - Attaching Light Fixtures | 17 |
| Operating Your Hunter Fan | 22 |
| Troubleshooting | 23 |



IMPORTANT INFORMATION

⚠ CAUTIONS

- Read entire booklet carefully before beginning installation.
- To reduce the risk of personal injury, attach the fan directly to the support structure of the building according to these instructions, and use only the hardware supplied.
- Save these instructions.

⚠ WARNINGS

- To avoid possible electrical shock, before installing your fan, disconnect the power by turning off the circuit breakers to the outlet box and associated wall switch location. If you can-

not lock the circuit breakers in the off position, securely fasten a prominent warning device, such as a tag, to the service panel.

- All wiring must be in accordance with national and local electrical codes and ANSI/NFPA 70- 1993. If you are unfamiliar with wiring, you should use a qualified electrician.
- To reduce the risk of personal injury, do not bend the Speed Ring™ blade attachment system when installing, balancing, or cleaning the fan. Never insert foreign objects between rotating fan blades.

- To reduce the risk of fire, electrical shock, or motor damage, do not use a solid-state speed control with this fan. Use only Hunter speed controls.

DO YOU NEED HELP?

To install a ceiling fan, be sure you can do the following:

- Locate ceiling joist or other suitable support in ceiling.
- Drill holes for and install wood screws.
- Identify and connect electrical wires.
- Lift 40 pounds.

If you need help installing the fan, your Hunter fan dealer can direct you to a licensed installer or electrician.



STEP 1 - GETTING READY

GATHERING THE TOOLS

You need the following tools to install the fan:

- Electric drill with 9/64" bit
- Standard screwdriver
- Phillips-head screwdriver
- Wrench or pliers

OPTIONAL ACCESSORIES

Consider using Hunter's optional accessories, such as a wall-mounted or remote speed control. Follow the instructions for installation and use included with each Hunter accessory.

For quiet and optimum performance of your Hunter fan, use only Hunter speed controls.

PREPARING THE FAN SITE

Reliable operation, efficiency, and maximum energy savings depend upon proper placement and attachment of the fan. For this reason, we have included a separate booklet — "Guide to Choosing and Preparing a Ceiling Fan Site" — to help you select the best location for your fan. The booklet also provides information to ensure your fan support and electric outlet box meet UL-approved safety codes for ceiling fans.

The instructions in this installation manual assume that you have used the "Guide to Choosing and Preparing a Ceiling Fan Site" to pick the fan location and make certain the proper fan support and outlet box are installed.

CHECKING YOUR FAN PARTS

Carefully unpack your fan parts to avoid damage. Check for shipping damage. If one of the fan blades is damaged, return all blades for replacement.

Hint: If installing more than one fan, keep the fan blades in sets, as shipped.

The fan packaging includes a separate diagram of all screws and other small parts. Keep this diagram handy during installation.

If any parts are missing or damaged, contact your Hunter dealer or call the Hunter Parts Department at 901/745-9222.

continued



INSTALLER'S CHOICE®

This patented 3-position mounting system gives you maximum flexibility and ease of installation. The steps in this manual include specific instructions for the fan mounting method of your choice. For a ceiling 8 feet or higher, standard mounting is recommended.

Flush Mounting (Figure 1a) fits close to the ceiling, for low ceilings less than 8 feet high.

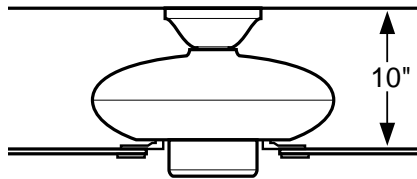


Figure 1a - Flush Mounting

Standard Mounting (Figure 1b) hangs from the ceiling by a connector pipe (included), for ceilings 8 feet or higher. For ceilings higher than 8 feet, you can also purchase Hunter extension rods. All Hunter fans use sturdy 3/4" inner diameter pipe to assure stability and wobble-free performance.

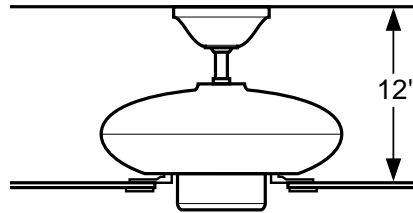


Figure 1b - Standard Mounting

Angle Mounting (Figure 1c) hangs from a vaulted or angled ceiling.

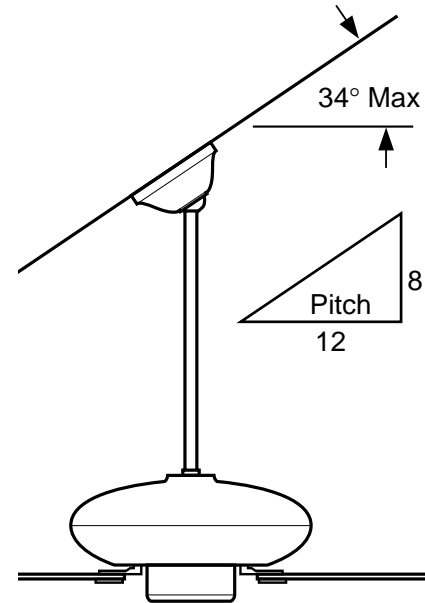


Figure 1c - Angle Mounting

STEP 2 - INSTALLING THE CEILING PLATE

1. Drill two pilot holes into the wood support structure through the outermost holes on the outlet box. The pilot holes should be 9/64" in diameter.
2. Thread the lead wires from the outlet box through the hole in the middle of the ceiling plate.
3. Your fan comes with two neoprene noise isolators. Position the isolators between the ceiling plate and ceiling by inserting the raised areas on each isolator into the holes in the ceiling plate. Refer to Figure 2a.

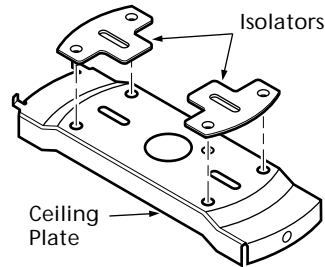


Figure 2a - Adding Isolators to Ceiling Plate

4. Align the slotted holes in the ceiling plate with the pilot holes in the wood support structure.
Note: The isolation pads should be flush against the ceiling.

For Angle Mounting Only: Be sure to orient the ceiling plate so that the two hooks point up towards the ceiling peak as shown in Figure 2b. **Note:** You will use the hooks to support the fan during STEP 5 - WIRING THE FAN.

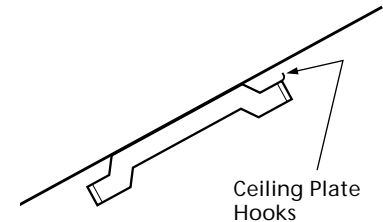


Figure 2b - Correct Position of Ceiling Plate for Angle Mounting

continued



5. Place a flat washer on each of the two 3" screws and pass the screws through the slotted holes in the ceiling plate as shown in Figure 2c.
6. Tighten the screws into the 9/64" pilot holes; do not use lubricants on the screws. Do not over-tighten.

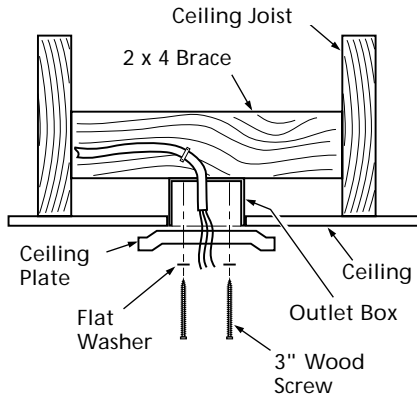


Figure 2c - Attaching Ceiling Plate to 2 x 4 Brace

STEP 3 - ASSEMBLING THE FAN

Follow sub-step 1 below for all fans. Then, use the additional instructions for the type of mounting you have selected: flush, standard, or angle.

ALL FANS

1. Position the fan housing over the motor hanger adapter. Make sure the tabs in the motor hanger adapter fit into the notches in the housing and that the pipe set-screw (for standard and angle mounting) passes through the slot

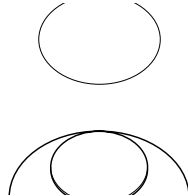


Figure 3a - Motor Hanger Adapter Tabs and Housing Notches

in the housing as shown in Figure 3a.

Flush Mounting (For Low Ceilings)

1. Fit the canopy over the motor hanger adapter as shown in Figure 3b. Make sure the canopy fits snugly against fan assembly with no space between the pieces.

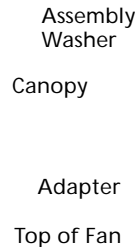


Figure 3b - Placing Canopy and Washer Over Adapter

2. Place the large assembly washer included with the fan over the adapter and canopy as shown in Figure 3b.
3. Position the slots in the assembly washer over the threaded holes in the adapter as shown in Figure 3c.

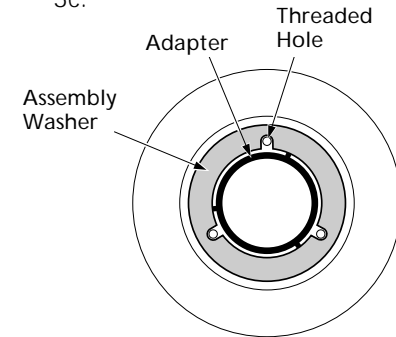


Figure 3c - Positioning Assembly Washer Slots Over Threaded Holes



4. Attach the canopy tightly to the fan assembly with three #8-32 x 3/4" assembly screws and #8 lockwashers as shown in Figure 3d.

Note: Pipe, ball, and setscrew not used for flush mounting.

Standard and Angle Mounting (For 8-foot Ceilings and Higher)

1. Fasten the fan housing to the motor hanger adapter with three #8-32 x 3/4" assembly screws and #8 lockwashers as shown in Figure 3e.

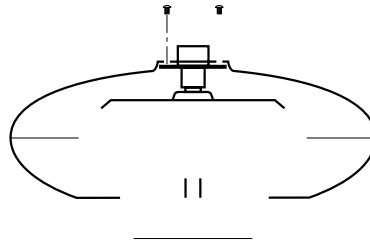


Figure 3d - Attaching Canopy to Fan Assembly



STEP 4 - WIRING THE FAN

1. Disconnect the power by turning off the circuit breakers to the outlet box and associated wall switch location.
2. Tilt and hang the assembled fan from the ceiling plate hooks. Slip two rectangular canopy slots over ceiling plate hooks as shown in Figures 4a and 4b.

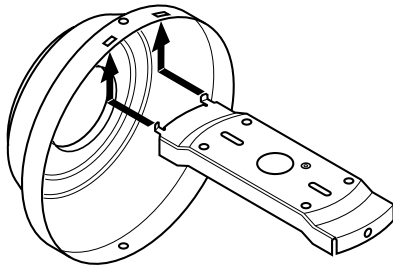


Figure 4a - Attaching Slots on Canopy to Ceiling Plate Hooks

Note: To hang the fan you must tilt the canopy to an almost vertical position so the canopy slots come down over the ceiling plate hooks.

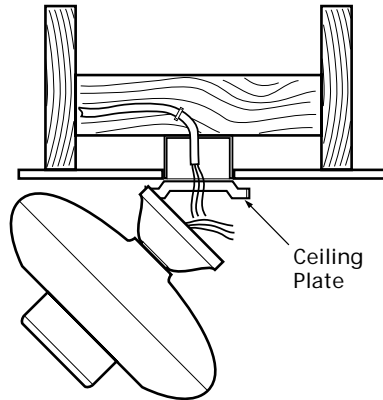


Figure 4b - Assembled Fan Hanging from Ceiling Plate Hooks

3. You can use either one or two wall switches to control the fan and/or lights separately. Use connection 1 on page 12 to

- control the light with a wall switch and the fan with a chain pull (one wall switch required)
- control the light with a chain pull and the fan with a wall switch (one wall switch required)
- control the light with one wall switch and the fan with another (two wall switches required)

Use connection 2 on page 12 if there is no separate wall switch power wire for the light kit.

Note: Wall switches not included.

continued



4. Connect the wires as shown in Figure 4c. To connect the wires, twist the bare metal leads together. Place a wire nut over the intertwined length of wire and twist clockwise until tight as shown.

CAUTION

Be sure no bare wire or wire strands are visible after making connections.

5. Separate the connected wires by placing the green and white wires on one side of the outlet box and the black and the black/white wires on the other side of the outlet box.
6. Turn the connectors upward. Push the wires gently into the outlet box.

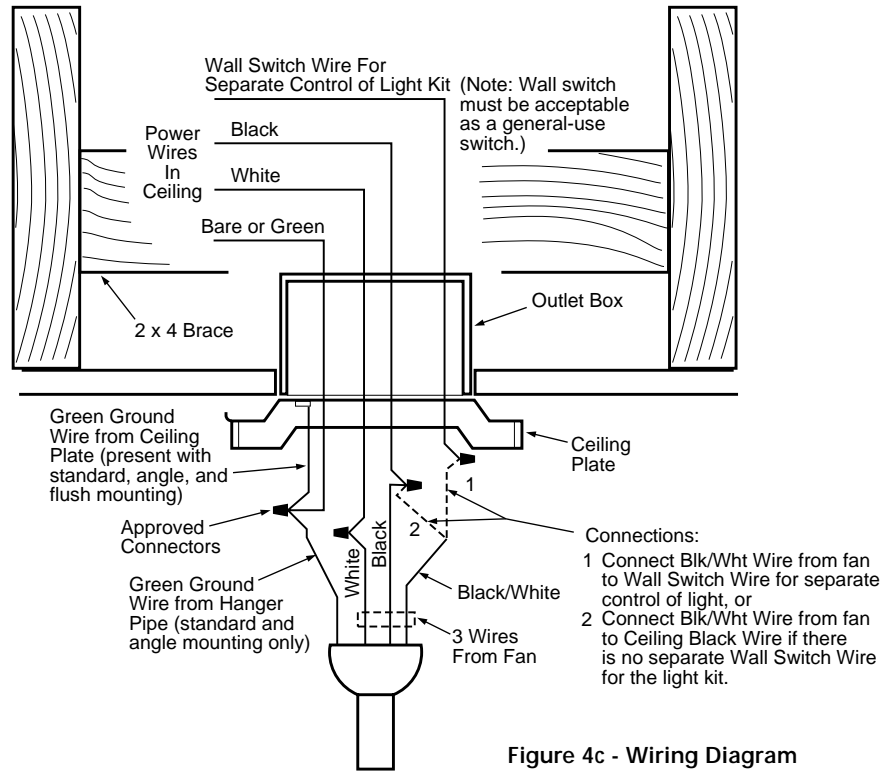


Figure 4c - Wiring Diagram

STEP 5 - HANGING THE FAN

Sub-steps 1 and 2 apply to Flush, Standard, and Angle mounting. Sub-step 3 applies to Standard and Angle mounting only.

1. Swing the fan up so as to align the canopy screw holes with the mounting holes on the ceiling plate. Refer to Figure 5a.

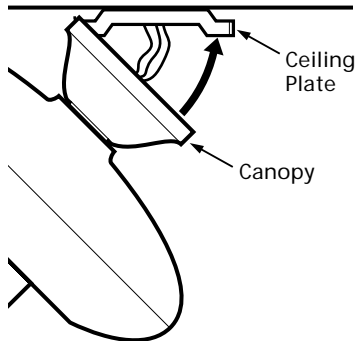


Figure 5a - Attaching Canopy to Ceiling Plate

2. Install and tighten the two #10-32 x 1/2" mounting screws.
3. **For Standard and Angle Mounting only:** In addition to sub-steps 1 and 2, lift the fan housing towards the ceiling and rotate the fan until each canopy tab engages a groove in the hanger ball as shown in Figure 5b.

Note: If the tabs are already engaged, do not rotate.

WARNING

Failure to complete sub-steps 1 through 3 could cause fan to fall. (Sub-step 3 not applicable for flush mounting.)

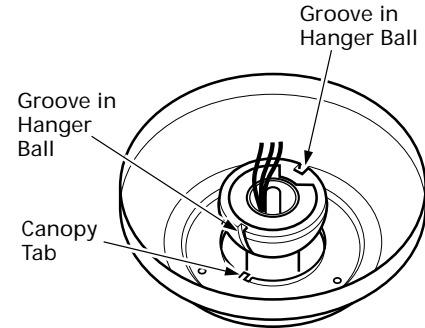


Figure 5b - Canopy Tabs and Grooves in Hanger Ball

continued



STEP 6 - ATTACHING BLADE ASSEMBLY

Hunter's Speed Ring™ (patent pending) system makes installation easier than ever by allowing you to put together the entire blade assembly on your table or workbench, and then attach it to the fan in just a few, simple steps. This process eliminates the need to attach the blades one-by-one to an already hanging fan.

ATTACHING FAN BLADES TO SPEED RING™

1. Position the blade, medallion, and Speed Ring™ and insert three #8-32 x 1/2" oval-head Phillips screws as shown in Figure 6a. (Hunter Fans use several types of decorative medallions.)

Note: Some blades are reversible, with two different finishes. Make sure you have selected the preferred finish before proceeding.

2. Tighten the screws.
3. Repeat for all blades.

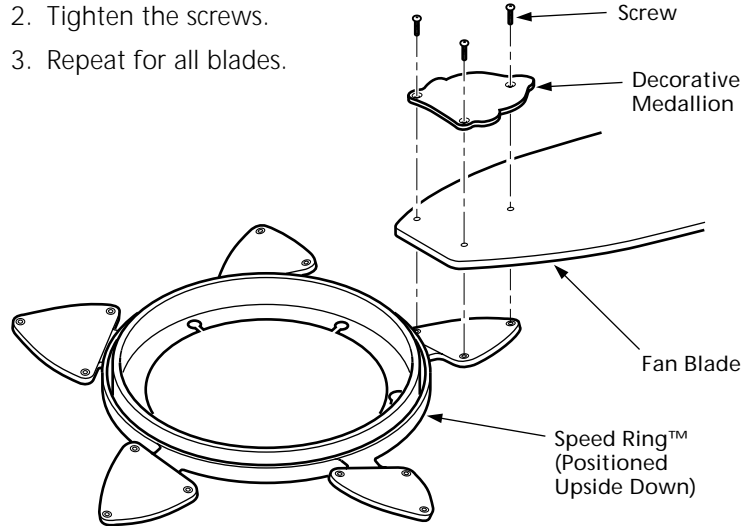


Figure 6a - Attaching Fan Blade to Speed Ring™ Using Decorative Medallion (Speed Ring™ Positioned Upside Down)

ATTACHING SPEED RING™ TO MOTOR

1. Position three grommets in the cut-out slots in the Speed Ring™ as shown in Figure 6b.

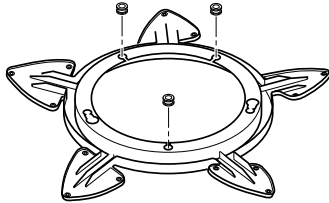


Figure 6b - Attaching Grommets to Speed Ring™

2. Lift the Speed Ring™ to the underside of the motor. Align the two grommet-and-screw combinations from the motor to the keyhole slots on the Speed Ring™ as shown in Figures 6c and 6d.
3. Place the index finger from your left hand and the thumb from your right hand onto the heads of the two grommet-and-screw

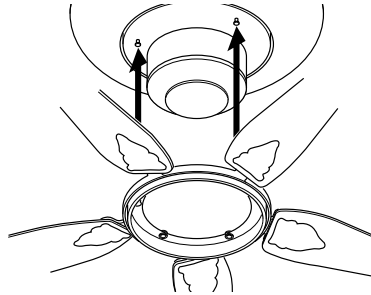


Figure 6c - Attaching Speed Ring™ to Motor

combinations from the motor. Turn the motor counterclockwise using the two grommet-and-screw combinations while holding the Speed Ring™ in place as shown in Figure 6d.

- Note:** Make sure that the Speed Ring™ is not resting on the screw heads as this may cause some difficulty in turning the motor.
4. Insert and tighten three tapered head screws as shown in Figure 6d.

⚠ CAUTION

Make sure that all Speed Ring™ screws are securely tightened. Loose screws could cause noise, improper fan operation, damage to the fan, or possible injury.

Note: After the screws are tightened, the Speed Ring™ may seem loose. This is normal and is part of the Speed Ring™ design to reduce fan wobble.

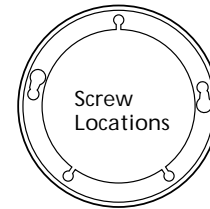


Figure 6d - Turning Motor Counterclockwise

continued



ATTACHING SPEED RING™ COVER

1. Remove plug button as shown in Figure 6e.
2. Remove the switch housing cover and switch housing cap by removing the two screws as shown in Figure 6e. Do not discard the screws, cover, or cap.

Note: If you are installing a Hunter light fixture, proceed to “STEP 7 – ATTACHING LIGHT FIXTURES.” If you do not wish to use the integral light fixture, or purchased a fan without a light fixture, proceed with sub-steps 3-6.

3. Place the Speed Ring™ cover on top of the switch housing cover as shown in Figure 6e.
4. Return the switch housing cover to its original position. The Speed Ring™ cover should now sit firmly between the switch housing and the switch housing cover.
5. Replace and tighten the screws you removed in sub-step 2.
6. Replace the switch housing cap and plug button.

You are now finished installing your Whisperwind 2000™ fan. Turn to “OPERATING YOUR HUNTER FAN” for additional instructions.

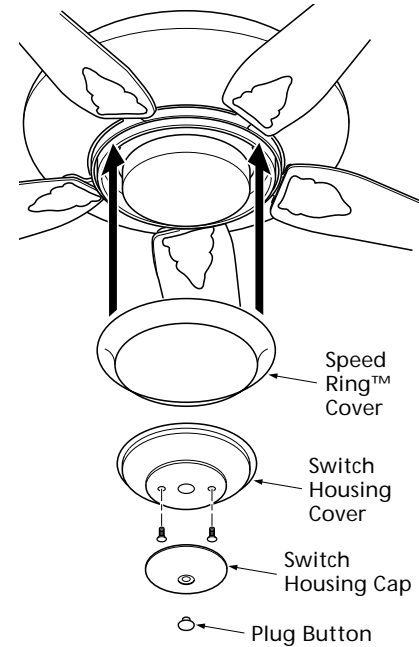


Figure 6e - Attaching Speed Ring™ Cover

STEP 7 - ATTACHING LIGHT FIXTURES

Your Whisperwind 2000™ fan may include a light fixture. You may enjoy the fan with or without the light fixture. Information for wiring and installing all included Hunter light fixtures follows.

Note: If you purchased a Whisperwind 2000™ without a light fixture, you may purchase an accessory light kit separately. For best performance and beauty, use only Hunter-brand light kits, Type A-Z. Hunter light kits are designed, tested, and UL approved for all Hunter fans, and are available at most Hunter dealers. To install the light kit, follow the instructions included with the kit.

If you are not installing a light fixture, turn to “OPERATING YOUR HUNTER FAN” for additional instructions.

⚠ WARNINGS

- **To avoid possible electrical shock, before installing light fixtures, disconnect power by turning off the circuit breakers both to the outlet box and to its associated wall switch location. If you cannot lock the circuit breakers in the off position, securely fasten a prominent warning device, such as a tag, to the service panel.**
- **Connect house wiring to the fan before attaching the light kit to the fan.**
- **All wiring must be in accordance with national and local electrical codes and ANSI/NFPA 70-1993. If you are unfamiliar with wiring, you should use a qualified electrician.**

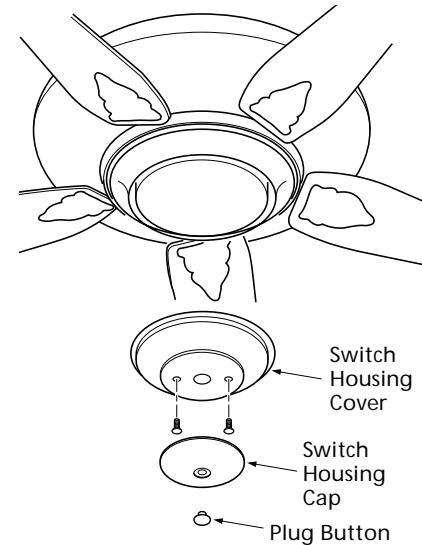
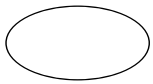


Figure 7a - Removing Plug Button and Switch Housing Cover

continued



ATTACHING LIGHT FITTER TO FAN SWITCH HOUSING

Low-Profile Lights

1. Unscrew the two #6 x 1/2" mounting screws to remove the light fixture cover plate as shown in Figure 7c. Do not discard the screws.
2. Assemble the switch housing cover to the light fixture housing. Use the lockwasher and nut provided.
3. Using the mounting screws from step 1, assemble the light fixture cover plate and light fixture housing to the fan switch housing as shown in Figure 7c.

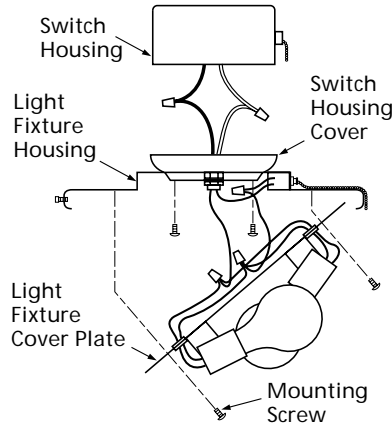


Figure 7c - Attaching Low-Profile Light Fixture

All Other Lights

1. Align the slots in the light fitter with the chain and reverse switch on the switch housing as shown in Figure 7d. The Speed Ring™ cover should sit firmly between the light fitter and switch housing.

Note: Be sure to push wire connections up into the switch housing.

2. Insert and tighten two #6-32 x 1 1/4" screws. Refer to Figure 7d.
3. Reattach plug button.

Additional steps follow for each light fixture.

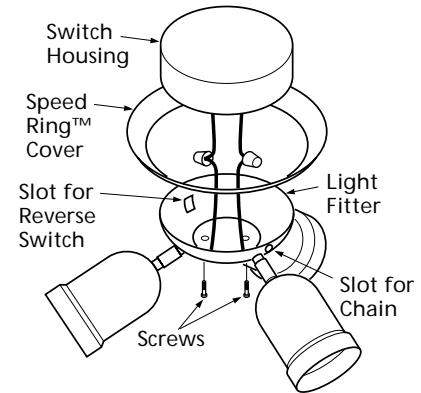


Figure 7d - Attaching Light Fixture

continued



AURORA FIXTURES

Refer to Figure 7f.

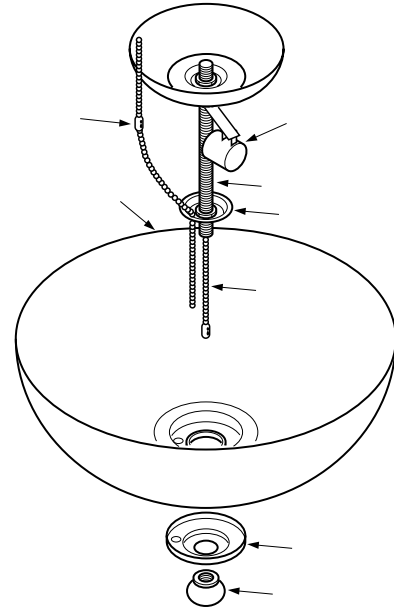


Figure 7f - Aurora Fixtures

LOW-PROFILE FIXTURES

Refer to Figure 7g.

1. Install bulbs.
2. Insert globe.
3. Install and tighten thumbscrews manually. Do not overtighten.

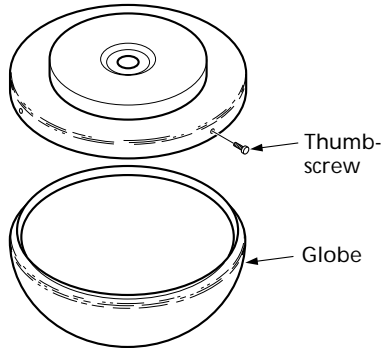


Figure 7g - Low-Profile Fixtures



OPERATING YOUR HUNTER FAN

1. Turn on electrical power to the fan.
2. The pull chain controls power to the fan. The chain has four settings in sequence: High, Medium, Low and Off.
 - Pull the chain slowly to change settings.
 - Release slowly to prevent the chain from recoiling into the blades.
 - The chain uses a breakaway connector that separates if the chain is jerked. If this happens, simply reinsert the chain into the connector.
3. Ceiling fans work best by blowing air downward (counterclockwise blade rotation) in warm weather to cool the room with a

direct breeze. In winter, having the fan draw air upward (clockwise blade rotation) will distribute the warmer air trapped at the ceiling around the room without causing a draft. Refer to Figure 8a.

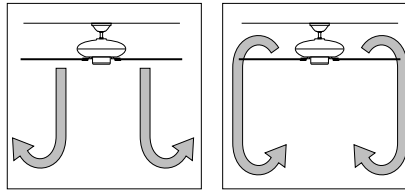


Figure 8a - Air Flow Patterns

To change the direction of air flow, turn the fan off and let it come to a complete stop. Slide the reversing switch on the fan to the opposite position as shown in Figure 8b. Restart fan.

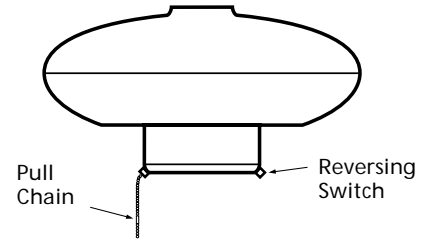


Figure 8b - Pull Chain and Reversing Switch

4. If your fan wobbles when operating, use the enclosed balancing kit and the accompanying instructions to balance the fan.



TROUBLESHOOTING

PROBLEM

Nothing happens; fan does not move.

PROBABLE CAUSE

1. Power turned off, fuse blown, or circuit breaker tripped.
2. Loose wire connections or wrong connections.
3. Motor reversing switch not engaged.
4. Pull chain switch not "on."

SOLUTION

1. Turn power on, replace fuse, or re-set breaker.
2. Loosen canopy, check all connections according to STEP 4 - WIRING THE FAN (**turn power off before checking**).
3. Push switch firmly side to side.
4. Pull the pull chain switch.

Noisy operation.

1. Blade screwed loosely to Speed Ring™.
2. Blade cracked.
3. Using non-approved speed control.
4. Globe screwed loosely to fitter.

1. Tighten screws until snug.
2. Replace all blades.
3. Change to approved speed control.
4. Hand-tighten the light kit screws. Ensure that rubber noise isolators are installed.



PROBLEM

Excessive wobbling.

Note: When switching from medium to low speed, you may notice some fan wobble. When the fan stabilizes at low speed, wobble will disappear.

PROBABLE CAUSE

1. Unbalanced blades.
2. Loose blades, Speed Ring™, or blade medallions.
3. Fan not secure on hanger assembly.
4. Fan hanger ball not seated in canopy tabs.

SOLUTION

1. Use balancing kit included with fan.
2. Tighten all screws.
3. Turn power off, support fan very carefully, loosen canopy and hang correctly.
4. Turn power off, support the fan very carefully, and check that the hanger ball is properly seated.

If you have tried these troubleshooting solutions and still have trouble, call 901/745-9222 or visit our Web site at <http://www.hunterfan.com>.



Hunter Fan Company
2500 Frisco Avenue
Memphis, TN 38114

Free Manuals Download Website

<http://myh66.com>

<http://usermanuals.us>

<http://www.somanuals.com>

<http://www.4manuals.cc>

<http://www.manual-lib.com>

<http://www.404manual.com>

<http://www.luxmanual.com>

<http://aubethermostatmanual.com>

Golf course search by state

<http://golfingnear.com>

Email search by domain

<http://emailbydomain.com>

Auto manuals search

<http://auto.somanuals.com>

TV manuals search

<http://tv.somanuals.com>