



The Care Free[®] Permawick[™] Evaporative Humidifier



ENGLISH
See page 2

Espanol
Voir page 9

FRANÇAIS
Voir page 18

Read and save these instructions.

Model 34407, 37407

Table of Contents

SAFETY INSTRUCTIONS.....	2
How The Humidifier Works.....	2
Humidifier Parts.....	2
Using Your Humidifier.....	3
Features and Options.....	4
Refilling the Water Tank.....	4
Humidifier Maintenance.....	4
Troubleshooting.....	7
Service Parts.....	7

Read and Save These Instructions

Important Safety Instructions: Read all instructions before using this humidifier.

1. This humidifier may not work properly on an uneven surface. ALWAYS place this humidifier on a firm, level, and water resistant surface. ALWAYS place the humidifier at least six (6) inches away from walls and heat sources such as stoves, radiators, or heaters.
2. ALWAYS place the humidifier in an area that is out of the reach of children.
3. Before using the humidifier, extend the cord and inspect for any signs of damage. DO NOT use the product if the cord has been damaged.
4. This product has a polarized plug (one blade is wider than the other) as a safety feature. This plug will fit into a polarized outlet only one way. If the plug does not fit fully into the outlet, reverse the plug. If it still does not fit, contact a qualified electrician. DO NOT attempt to defeat or override this safety feature.
5. ALWAYS UNPLUG AND EMPTY the humidifier when it is not in operation or while it is being cleaned.
6. DO NOT tilt or move the humidifier while it is in operation. Never move the humidifier while there is water in the tank. Empty the water tank, turn off, and unplug the unit before moving.
7. In addition to routine maintenance which may be required, this humidifier requires seasonal cleaning. Refer to and follow CLEANING THE HUMIDIFIER AND THE WATER TANK instructions.

How The Humidifier Works

The Hunter® Evaporative Humidifier has a unique patented design with several innovative features:

- **Low Maintenance** – Other humidifiers have paper filters that need to be replaced every few months. Our exclusive PermaWick™ filter saves time and money. It's designed to last season after season, saving up to \$45 a year. No wet paper odors, either.
- **Regulated Release™ System** – By dispersing water from the top of the PermaWick™ filter, stagnant water around the PermaWick™ filter is eliminated, and the buildup of mineral residue that can clog the filter and impede performance is eliminated. NOTE: The filter has a coating on the wick which may make it appear old or used, but is actually new.
- **Built-in Antimicrobial Properties** – The plastic parts and the filter have built-in antimicrobial properties to inhibit the growth of bacteria, mold and fungi that may affect these parts.

NOTE: This product contains antimicrobial properties which are built-in to inhibit the growth of bacteria which may affect the plastic and filter in the humidifier. These properties do not extend to the water, humidified air or users. Conduct routine cleaning and maintenance based upon use and individual conditions.

- **No White Dust** – The Hunter® Evaporative Humidifier produces no white dust that can settle on furniture or be inhaled.

NOTE: You may notice mineral deposits accumulating in the tank Tray. This is normal and does not affect performance. If you would like to clean these deposits away, please see CLEANING THE HUMIDIFIER AND WATER TANK.

Humidifier Parts

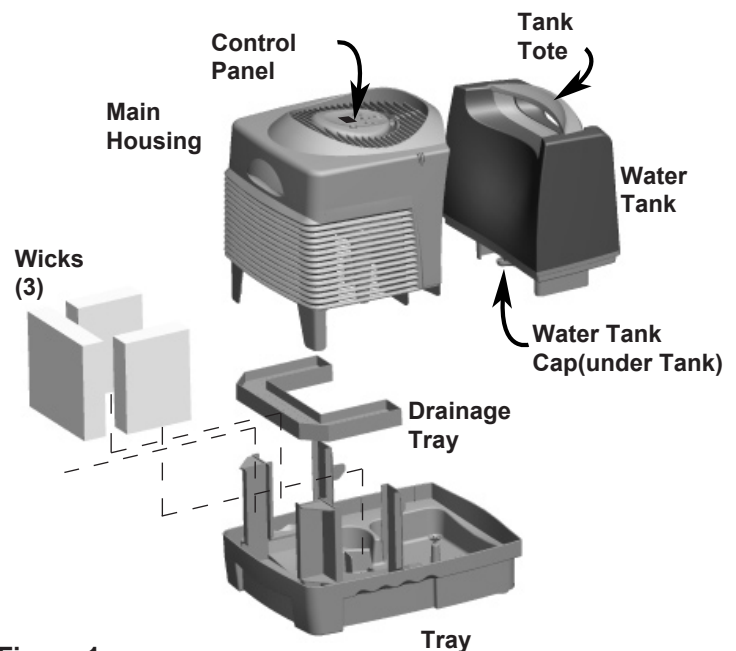


Figure 1

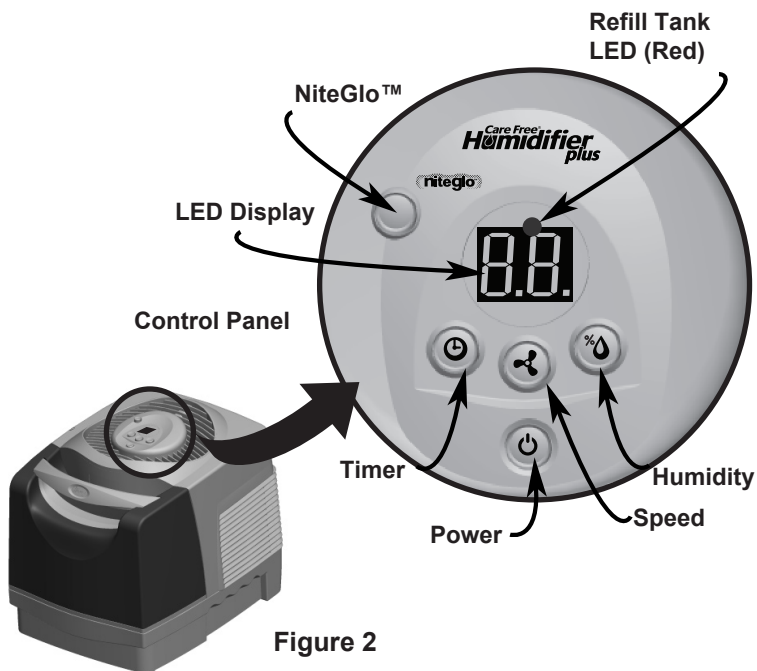


Figure 2

Power: Turns the humidifier on and off. the power should always be off before unplugging the humidifier, moving the humidifier, or refilling the water tank.

Refill Light: The red LED turns on to signal that the humidifier has automatically turned off and the Water Tank needs to be refilled.

Humidity: Enables you to set the desired maximum humidity level. Once this level is reached, the unit will automatically shut off until the humidity level drops. NOTE: The humidifier may not be running because the Span Setting may need to be adjusted.
Speed: Sets the humidifier's fan speed to Low (1), Medium (2), or High (3).

Timer: Sets the humidifier to run for 2, 4, 8, or 10 hours. when the timer is not used, the humidifier will run and cycle automatically.

Using Your Humidifier

Basic Set-Up and Operation

1. Remove the Hunter® Evaporative Humidifier from its packaging.
2. Place the humidifier on a hard, flat, water resistant surface. Always place the humidifier at least six (6) inches away from walls and sources of heat.
3. Grasp the Water Tank by its Tank Tote and remove it from the Tray. See Figure 3.
4. Turn the Water Tank upside-down and remove the Water Tank Cap. See Figure 4.

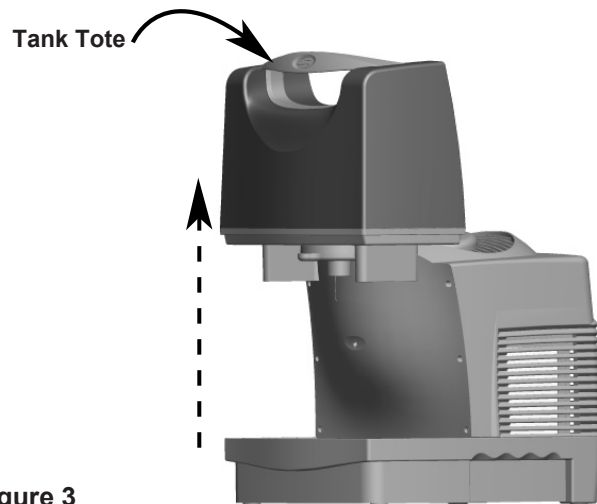


Figure 3

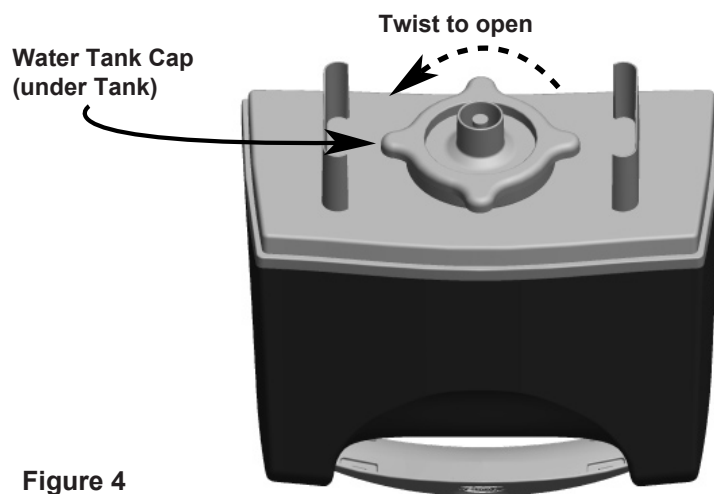


Figure 4

5. Fill the Water Tank with water, return the Water Tank Cap to its position and tighten it, and return the Water Tank to the Tray.
6. Plug the humidifier's Power Cord into a standard household power outlet.
7. Press the Power Button on the Control Panel.
8. To see the current humidity, press the Humidity button. To change the humidity, press and hold the Humidity button for 3 seconds. The LED Display will flash the current humidity setting. Press the Humidity button until the LED Display shows your desired humidity setting. You can change the setting in 5% increments from 30% relative humidity to 80%. When the LED Display shows your desired humidity setting, release the Humidity button. After 2 seconds, the humidity setting is set and the LED Display will show the relative humidity.
9. To see the current Fan speed setting, press the Speed button. To change the Fan speed setting, press and hold the Speed button for 3 seconds. The LED Display will flash the

current Fan speed setting. Press the Speed button until the LED Display shows your desired Fan speed setting, Low (1), Medium (2), or High (3). Release the Speed button. After 2 seconds, the Fan speed is set and the LED Display will show the relative humidity.

10. During normal operation, the LED Display will show the relative humidity of the space in which you place your humidifier.

Features and Options

Automatic Shut-Off

When the Water Tank is empty, the humidifier will automatically turn off and the red Refill Tank LED will turn on. The Refill Tank LED will turn off when the Tank is refilled and placed back on the humidifier.

Timer

You can set your humidifier to run for pre-set periods of time.

1. To see the current Timer setting, press the Timer button once.
2. To change the Timer setting, press the Timer button and hold it for 3 seconds. The current Timer setting will begin to flash.
3. Press the Timer button again to change the setting. The settings in hours are OF (Off), 2, 4, 8 and 10.
4. When the LED Display shows your desired run time, release the Timer Button. After 2 seconds, the run time is set and the LED Display will show the relative humidity.
5. The humidifier will shut down automatically when the set time expires.

Span Setting

Your humidifier is set at the factory to cycle at setting 2. If you find your humidifier is cycling either too often or not often enough, change the Span setting to change the cycle time.

1. To see the current Span setting, press both the Humidity and Speed buttons.
2. To change the Span setting, Press and hold both the Humidity and Speed buttons for 3 seconds. The LED Display will flash the current Span Setting.
3. Press the Speed button to change the Span setting. Set the Span to 3 to increase the humidifier's run time. Set the Span to 1 to decrease the humidifier's run time.
4. When the LED Display shows your desired Span setting, release the Speed button. After two seconds, the Span is set and the LED Display will show the relative humidity.

The NiteGlo™ Night Light

Press the NiteGlo™ button on the Control Panel to turn the night light on and off.

NOTE: The NiteGlo™ night light is inoperable when the humidifier is turned off.

Refilling The Water Tank

1. When the water tank level is low, turn the humidifier 'OFF', and unplug.
2. Remove the tank and take it to the sink or tub to refill.
3. Turn the tank upside down and unscrew the tank cap by turning it counterclockwise. Empty the tank, refill with fresh cool water (never use hot water), and replace the tank cap. Be sure not to overfill the tank as water damage may occur to furniture or flooring due to spillage. HUNTER WILL NOT ACCEPT RESPONSIBILITY FOR DAMAGE TO PROPERTY CAUSED BY WATER SPILLAGE.
4. Carry the tank back to the humidifier. Turn the tank upright and place it on the humidifier. Be sure that the tank is seated properly in the Tray. If the tank is properly located on the Tray, you will see air bubbles flowing up into the tank.

Humidifier Maintenance

Many regions have hard water with high concentrations of minerals. When water evaporates from The Hunter® Evaporative Humidifier, minerals may be left behind. These minerals can form a hard white scale which can be removed by following the cleaning instructions. The frequency of cleaning due to mineral build up can vary depending upon the quality of water you may have. Refer to Figure 1 for part names.

1. Turn the humidifier 'OFF' and unplug the unit.
2. Lift the Main Housing as shown in Figure 5. The motor is attached to the main housing. Do not place the motor near water.

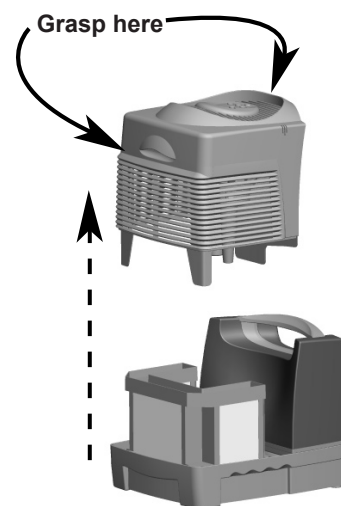


Figure 5

Humidifier Maintenance (Cont.)

3. Remove the Drainage Plate and the three Wicks. See Figures 6A and 6B.

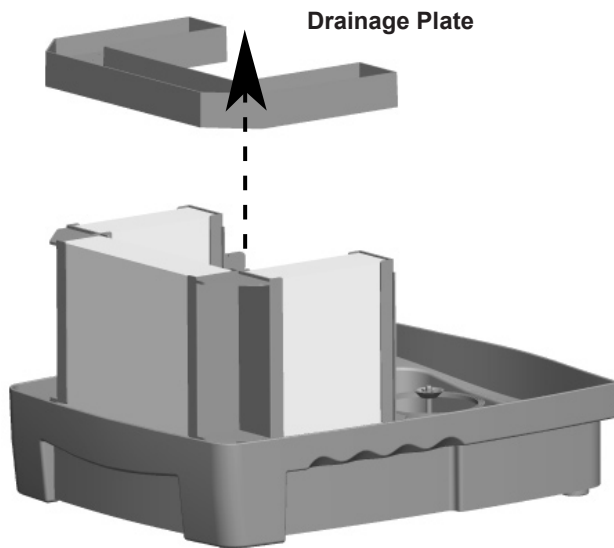


Figure 6A

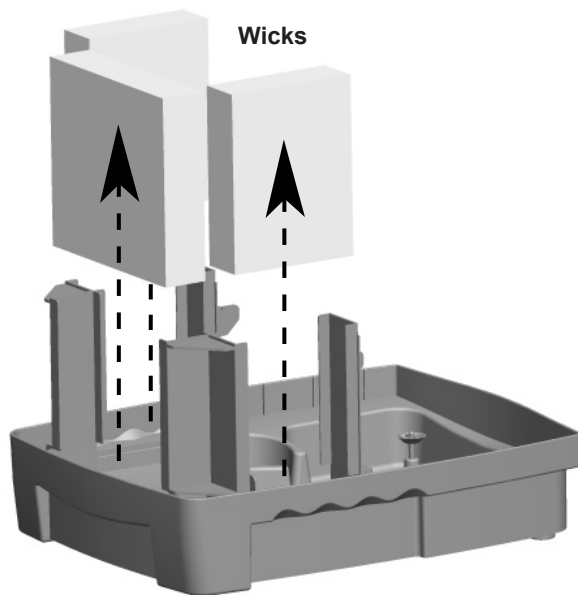


Figure 6B

5. Press the Shower Head Latches in the direction shown in Figure 7, releasing the Shower Head. Then, gently lift the Shower Head from its position and let it rest in the Main Housing.

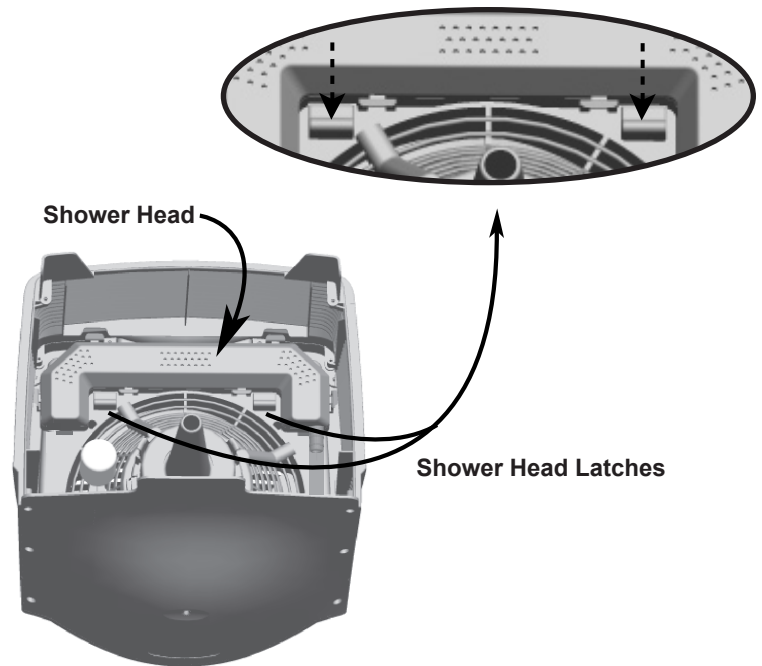


Figure 7

6. Press the three Pump Cover Latches in the direction shown in Figure 8, releasing the Pump Cover.

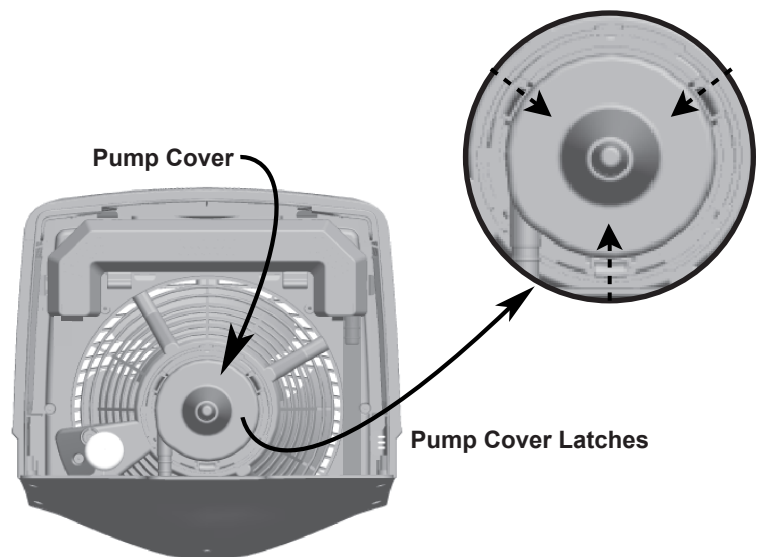


Figure 8

7. Remove the Shower Head, Pump Cover, and Tubing from the Main Housing. See Figure 9.

Humidifier Maintenance (Cont.)

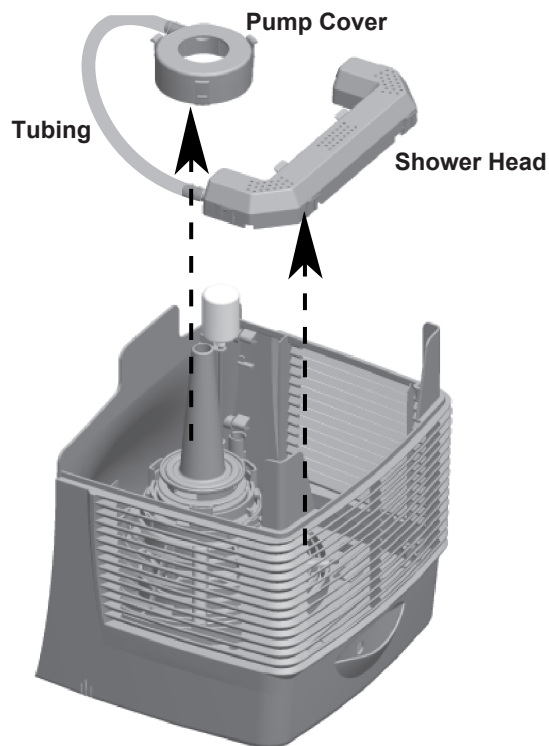


Figure 9

8. Press the six Shower Head Latches in the direction shown in Figure 10 to separate the two halves of the Shower Head.

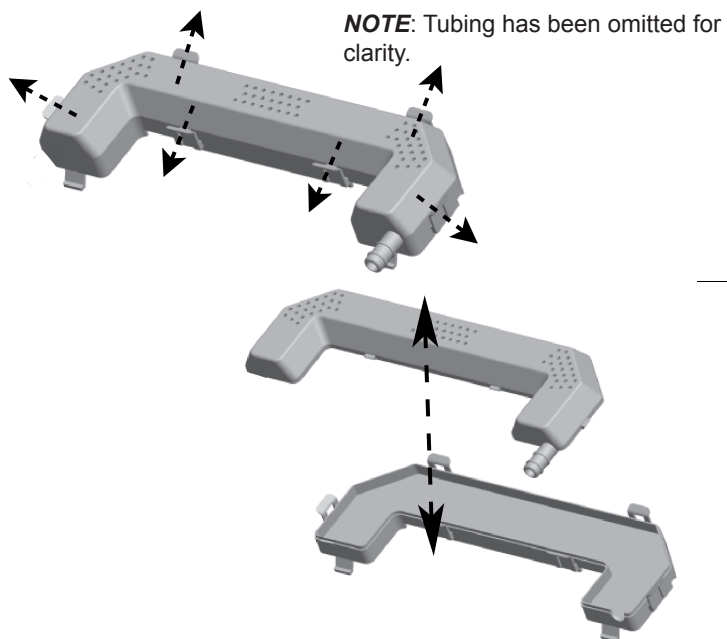


Figure 10

9. Hold the Motor Shaft Stopper Ring so that it can not rotate. Twist the pump counter-clockwise as shown in Figure 11 to loosen it. NOTE: Turning twisting the pump clockwise tightens it.

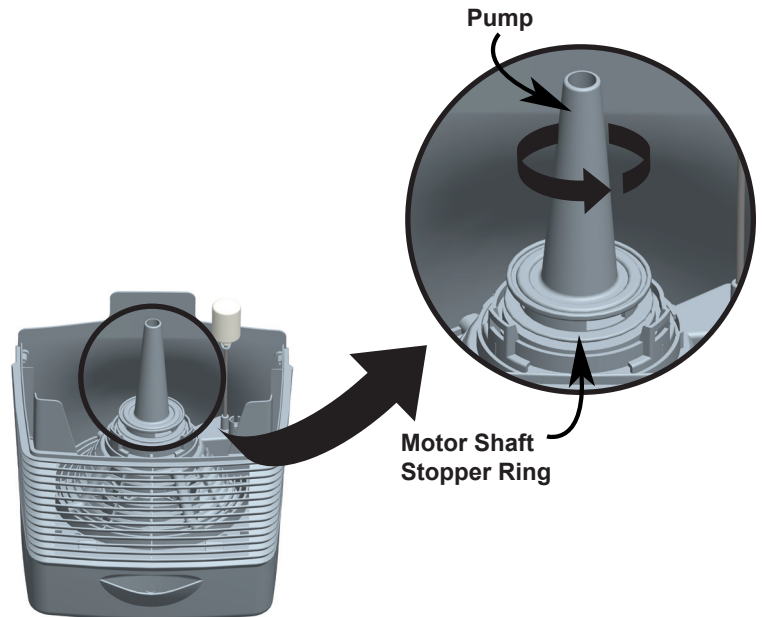


Figure 11

10. Remove the Pump and the Motor Shaft Stopper Ring. See Figure 12.

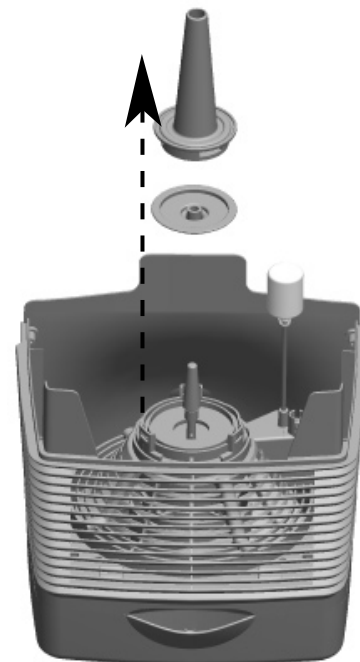


Figure 12

Humidifier Maintenance (Cont.)

11. Do not expose Motor or other electrical components to water. Do not use a wet towel on the Motor or Motor Housing as electrical shock may occur.
12. Remove the Water Tank from the Tray and empty it of any remaining water. Fill the Water Tank with a mixture of one (1) gallon of water and eight (8) ounces of white vinegar. Leave the mixture in the Water Tank for 20 minutes, giving the Water Tank a shake every few minutes. After 20 minutes, give the Water Tank a final shake and discard the mixture. Rinse the Water Tank several times with clean water. Leave the Water Tank Cap off to allow the Water Tank to dry completely.
13. Fill the Tray with a mixture of one (1) gallon of water and eight (8) ounces of white vinegar. Leave the mixture in the Tray for 20 minutes, then discard the mixture. Rinse the Tray well with clean water and let it air dry or wipe it dry with a cloth.
14. Rinse the Shower Head, Pump Cap, Tubing, Pump, and Motor Shaft Stopper Ring in clean water to remove any debris. If the parts show hard water residue, soak them in a mixture of one (1) gallon of water and eight (8) ounces of white vinegar for 20 minutes, then rinse the parts well with clean water.
15. Wipe the surfaces of the main housing with a soft damp cloth.
16. Once all the parts are clean, reassemble the humidifier.
NOTE: The underside of Motor Shaft Stopper Ring has a groove that fits over two nibs on the Motor Shaft. See Figure 13. The groove and the nibs **MUST BE MATED** for the humidifier to be properly reassembled.
17. Follow the USING YOUR HUMIDIFIER section to continue use. If you are storing the humidifier, make sure the parts are completely dry.

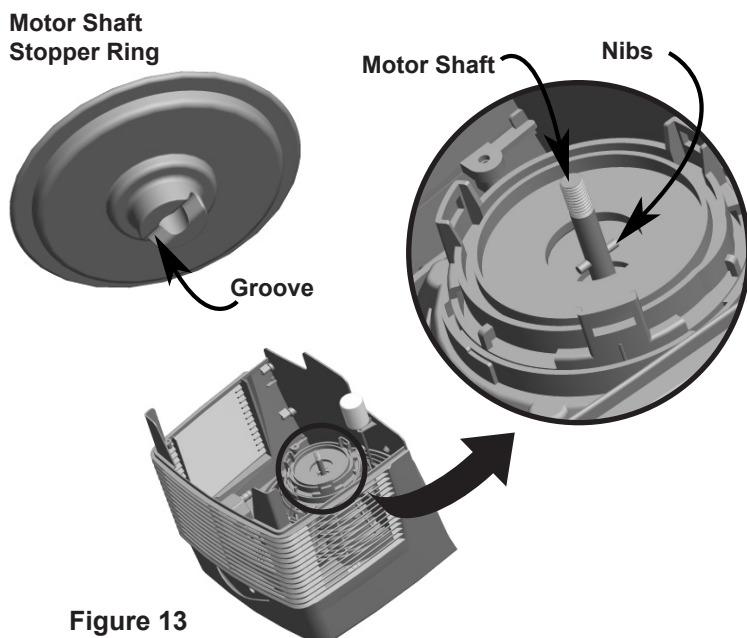


Figure 13

Troubleshooting

Problem:

Excessive noise.

Solution:

1. Check the Water Tank to make sure it is properly seated on the Power Pack.
2. Check the Water Tank to make sure there are no bubbles when the Water Tank is full and running. If there are bubbles, turn the unit OFF until the bubbling stops. When the bubbling has stopped, set the unit to the desired speed.
3. Remove and clean the Pump Cap and Funnel Pump. Refer to the section on CLEANING THE HUMIDIFIER AND THE WATER TANK.

Problem:

Humidifier not working.

Solution:

1. Make sure the Power Knob is not set to OFF.
2. Adjust the humidity level using the Power Knob and the Humidistat Controls. Once the room reaches the set humidity level, the humidifier will turn OFF; this is normal.
3. Make sure the Power Pack and Water Tank are both fully seated in the Tray.

Problem:

Humidifier will not turn on.

Solution:

1. Make sure there is water in the tank.
2. Make sure the Water Tank is properly seated on the Power Pack.
3. Check the humidity levels on the display. If the ambient room humidity is equal to or higher than the set level, the unit will not turn on.

Problem:

Mineral build-up on the Water Tank or Tray.

Solution:

1. Refer to the section on CLEANING THE HUMIDIFIER AND THE WATER TANK.

Problem:

Humidity output and water usage decreased.

Solution:

1. Check the Humidistat Setting and Power Knob to make sure they are set to the desired humidity level.
2. Check the Water Tank to make sure there are no bubbles when the Water Tank is full and running. If there are bubbles, turn the unit OFF until the bubbling stops. When the bubbling has stopped, set the unit to the desired speed.

Troubleshooting (Cont.)

3. Clean any components that have mineral build-up. Refer to the section on CLEANING THE HUMIDIFIER AND THE WATER TANK.

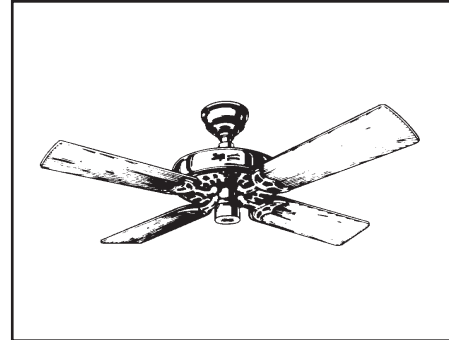
If you have questions or problems, please call 1-888-830-1326 for assistance before returning the unit to the retailer.

Service Parts

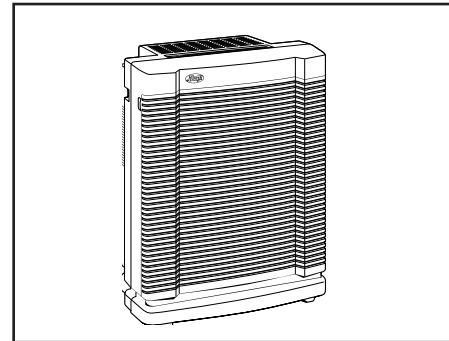
To obtain a service part for your humidifier, call customer service at 1-888-830-1326 or from Canada 1-866-268-1936. You may also e-mail us at techsupport@hunterfan.com. Please be prepared to tell the operator the model number of your humidifier and the name of the part you need to replace and the part number. Refer to Figure 1 for part names.

Model No.	Tray	Tank Assembly	Replacement Wick Set
34407	97668	97670	87955

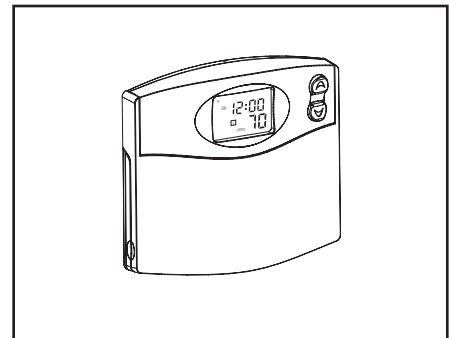
Other Home Comfort Products from Hunter



Hunter Original®



Air Purifier



Programmable Thermostat

HUNTER FAN COMPANY
2500 FRISCO AVENUE
MEMPHIS, TN 38114, USA



To learn more about Hunter Fan Company products, please see our web page at:
www.hunterfan.com



Humidificador de evaporación Care Free[®] de Permawick[™]



Espanol
Voir page 9

Lea y guarde estas instrucciones

Model 34407, 37407

Tabla de contenido

INSTRUCCIONES DE SEGURIDAD	10
Cómo trabaja el Humidificador	10
Partes del humidificador	11
Uso de su humidificador	11
Características y opciones	12
Rellenado del tanque de agua	13
Mantenimiento del humidificador.....	13
Localización y solución de problemas	16
Partes de repuesto	16

LEA Y GUARDE ESTAS INSTRUCCIONES

Instrucciones importantes de seguridad: Lea todas las instrucciones antes de usar este humidificador.

1. Este humidificador no puede funcionar correctamente en una superficie irregular. SIEMPRE coloque este humidificador sobre una superficie firme, nivelada y resistente al agua. SIEMPRE coloque el humidificador al menos a 15 cm. (6") de distancia de las paredes y de fuentes de calor como estufas, radiadores o calentadores.
2. SIEMPRE coloque el humidificador en un área fuera del alcance de los niños.
3. Antes de usar el humidificador, extienda el cordón e inspecciónelo buscando cualquier señal de daños. NO utilice el producto si el cordón está dañado.
4. Este producto tiene un enchufe polarizado (una espiga es más ancha que la otra) como característica de seguridad. El enchufe sólo se podrá introducir en una toma polarizada de una sola manera.
Si el enchufe no entra completamente en la toma de corriente, invierta el enchufe. Si todavía no encaja, contacte con un electricista calificado. NO trate de inhabilitar o anular esta característica de seguridad.
5. SIEMPRE DESCONECTE Y VACÍE el humidificador cuando no esté en funcionamiento o mientras lo esté limpiando.
6. NO lo incline ni lo mueva durante su operación. Nunca mueva el humidificador mientras haya agua en el tanque.

Vacíe el tanque de agua, apague y desconecte la unidad antes de moverla.

7. Además del mantenimiento de rutina que puede requerirse, este humidificador requiere limpieza por temporada. Consulte y siga las instrucciones de LIMPIEZA DEL HUMIDIFICADOR Y DEL TANQUE DE AGUA.

Cómo trabaja el Humidificador

El Humidificador de evaporación de Hunter® tiene un diseño único patentado con varias características innovadoras:

- Bajo mantenimiento – Otros humidificadores poseen filtros de papel que requieren ser reemplazados luego de unos cuantos meses. Nuestro filtro exclusivo PermaWick™ ahorra tiempo y dinero. Está diseñado para durar temporada tras temporada, ahorrando hasta \$45 al año. Tampoco hay olores a papel mojado.
- Sistema Release™ regulado – Al distribuir agua desde la parte superior del filtro PermaWick™ se elimina el agua estancada alrededor del filtro PermaWick™ y se elimina también la acumulación de residuos minerales que pueden obstruir el filtro e impedir su funcionamiento. NOTA: El filtro posee un recubrimiento en la mecha que puede hacer que parezca viejo o usado, pero en realidad es nuevo.
- Propiedades antimicrobianas incorporadas – Las partes plásticas y el filtro tienen propiedades antimicrobianas incorporadas para inhibir el crecimiento de bacterias, moho y hongos que puedan afectar dichos componentes.

NOTA: Este producto contiene propiedades antimicrobianas incorporadas para inhibir el crecimiento de las bacterias que puedan afectar el material plástico y el filtro en el humidificador. Estas propiedades no se extienden al agua, aire humidificado o a los usuarios. Realice la limpieza y el mantenimiento periódico según el uso y las condiciones individuales.

- Sin polvo blanco – El Humidificador de evaporación de Hunter® no produce polvo blanco que pueda asentarse en los muebles o que pueda ser inhalado.

NOTA: Puede notar que se acumulan depósitos minerales en la bandeja del tanque. Esto es normal y no afecta el funcionamiento. Si desea limpiar estos depósitos, consulte LIMPIEZA DEL HUMIDIFICADOR Y DEL TANQUE DE AGUA.

Partes del humidificador

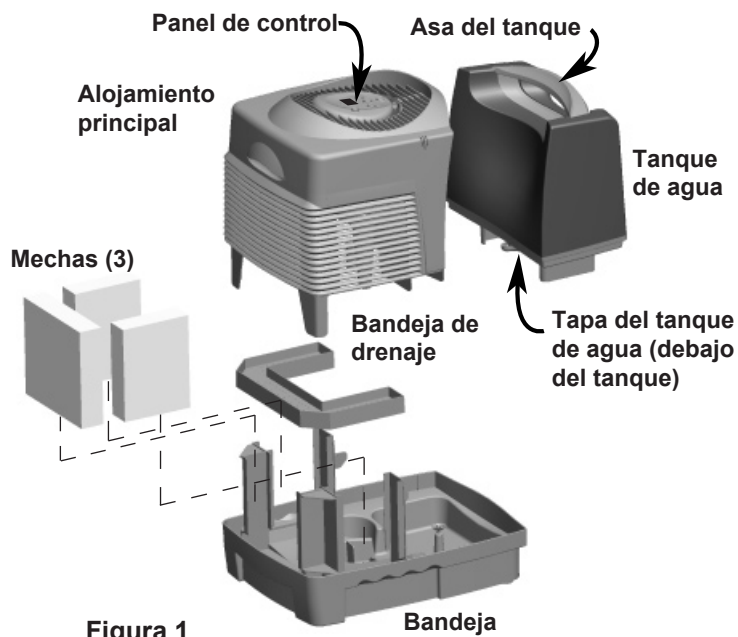


Figura 1

Energía: Enciende o apaga el humidificador. La energía siempre debe estar apagada antes de desconectar el humidificador, mover el humidificador o rellenar el tanque de agua.

Luz de llenado: La luz roja de la pantalla LED se enciende para indicar que el humidificador se ha apagado automáticamente y que el tanque de agua necesita ser llenado nuevamente.

Humedad: Le permite fijar el nivel máximo de humedad deseado. Una vez que se llegue a este nivel, la unidad se cerrará automáticamente hasta que el nivel de humedad descienda. NOTA: El humidificador puede no estar funcionando porque el ajuste Span puede necesitar un ajuste.

Velocidad: Regula la velocidad del ventilador del humidificador en Baja (1), Media (2), o Alta (3).

Temporizador: Regula el humidificador para que funcione por 2, 4, 8 ó 10 horas. Cuando no se utiliza el temporizador, el humidificador funcionará y alternará automáticamente.

Uso de su Humidificador

Configuración y operación básica

1. Retire el Humidificador de evaporación de Hunter® del paquete.
2. Coloque el humidificador en una superficie dura, plana y resistente al agua. SIEMPRE coloque el humidificador al menos a 15 cm. (6") de distancia de las paredes y de fuentes de calor.
3. Tome el tanque de agua por el asa y retírelo de la bandeja. Vea la Figura 3.

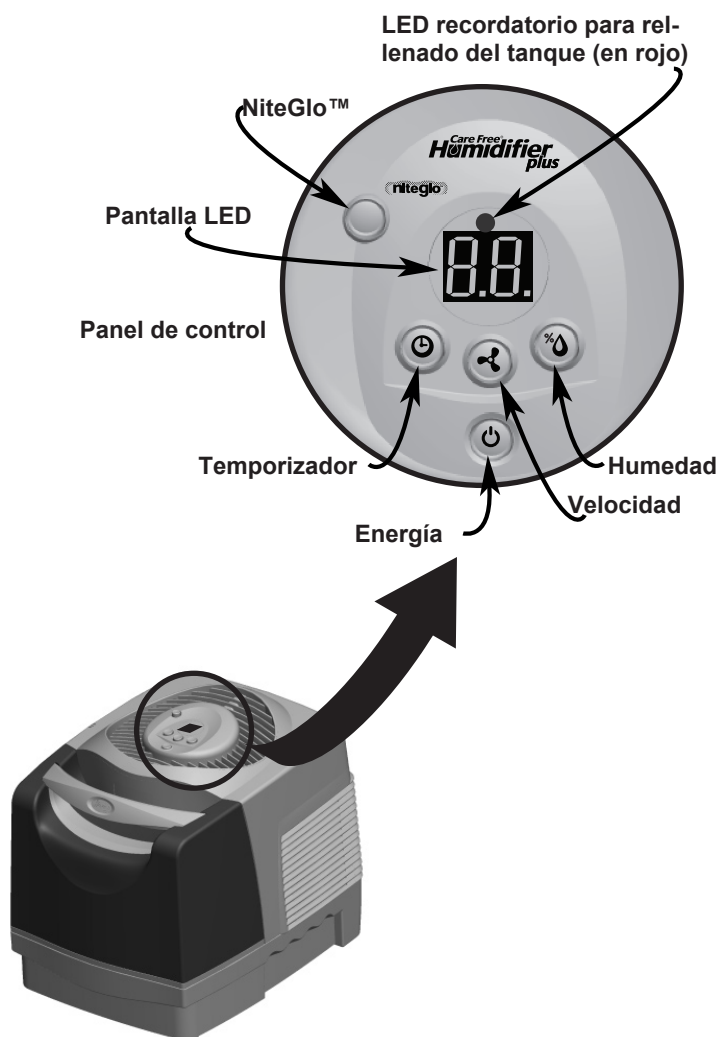


Figure 2

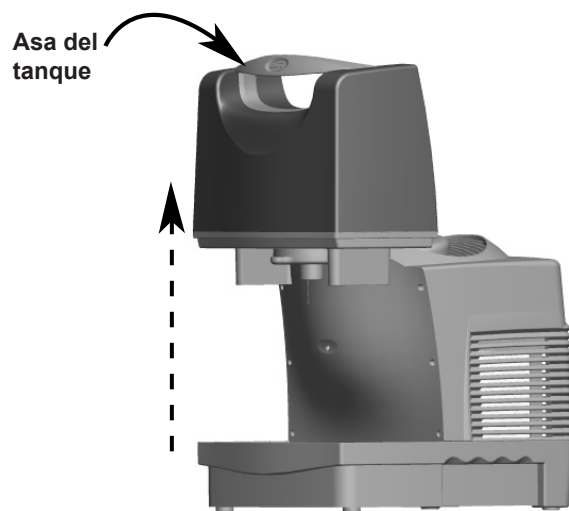


Figura 3

Uso de su Humidificador (continuación)

- Invierta la posición del tanque y retire la tapa del tanque de agua. Vea la Figura 4.

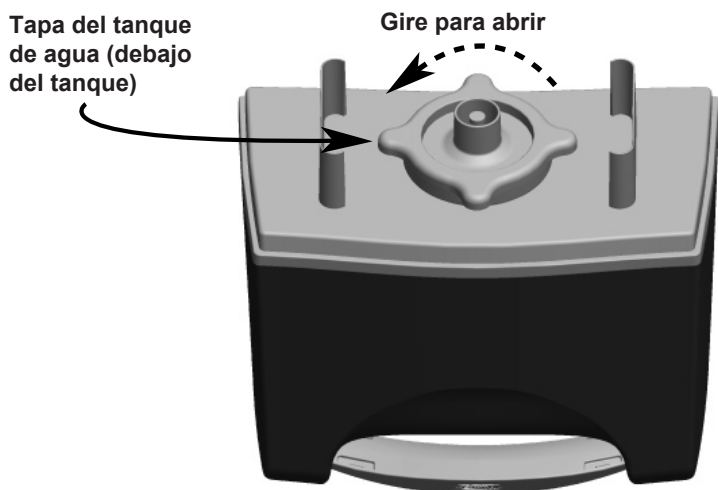


Figura 4

- Llene el tanque de agua, coloque nuevamente la tapa del tanque de agua en su posición y apriétela, y coloque nuevamente el tanque de agua en la bandeja.
- Conecte el cordón de alimentación del humidificador a una toma de corriente doméstica estándar.
- Presione el botón de encendido del panel de control.
- Para ver la humedad actual, presione el botón Humedad. Para cambiar la humedad, presione y mantenga presionado por 3 segundos el botón Humedad. La pantalla LED destellará el ajuste actual de humedad. Presione el botón Humedad hasta que la pantalla LED muestre el ajuste de humedad que usted desea. Puede cambiar el ajuste en incrementos de 5% de humedad relativa de 30% a 80%. Cuando la pantalla LED muestre el ajuste de humedad que usted desea, libere el botón Humedad. Luego de 2 segundos, el ajuste de humedad está fijado y la pantalla LED mostrará la humedad relativa.
- Para ver el ajuste actual de velocidad del ventilador, presione el botón Velocidad. Para cambiar el ajuste de velocidad del ventilador, presione y mantenga presionado por 3 segundos el botón Velocidad. La pantalla LED destellará el ajuste actual de velocidad del ventilador. Presione el botón Velocidad hasta que la pantalla LED muestre el ajuste de velocidad del ventilador que usted desea, Baja (1), Media (2), o Alta (3). Libere el botón Velocidad. Luego de 2 segundos, la velocidad del ventilador está fijada y la pantalla LED mostrará la humedad relativa.
- Durante la operación normal, la pantalla LED mostrará la humedad relativa del espacio en el que usted coloque su humidificador.

Características y opciones

Apagado automático

Cuando el Tanque de agua esté vacío, el humidificador automáticamente se apagará y se encenderá la luz roja de Rellenar tanque en la pantalla LED. La luz de Rellenar tanque se apagará cuando el Tanque sea llenado nuevamente y colocado de vuelta en el humidificador.

Temporizador

Puede programar que su humidificador funcione por periodos de tiempo predeterminados.

- Para ver el ajuste actual del temporizador, presione el botón Temporizador una vez.
- Para cambiar el ajuste del temporizador, presione el botón temporizador y manténgalo presionado por 3 segundos. El ajuste actual del temporizador empezará a destellar.
- Presione el botón Temporizador nuevamente para cambiar el ajuste. Los ajustes en horas son APAGADO (Off), 2, 4, 8 y 10.
- Cuando la pantalla LED muestre el tiempo de operación que usted desea, libere el botón temporizador. Luego de 2 segundos, el tiempo de operación está fijado y la pantalla LED mostrará la humedad relativa.
- El humidificador automáticamente se apagará cuando expire el tiempo fijado.

Ajuste Span

Su humidificador es fijado en fábrica para alternar en el ajuste 2. Si encuentra que los ciclos de su humidificador alternan muy seguido o con poca frecuencia, modifique el ajuste Span para cambiar el tiempo del ciclo.

- Para ver el ajuste Span actual, presione los botones Humedad y Velocidad.
- Para cambiar el ajuste Span, presione y mantenga presionados por 3 segundos los botones Humedad y Velocidad. La pantalla LED destellará el ajuste Span actual.
- Presione el botón Velocidad para cambiar el ajuste Span. Fije el Span en 3 para aumentar el tiempo de funcionamiento del humidificador. Fije el Span en 1 para disminuir el tiempo de funcionamiento del humidificador.
- Cuando la pantalla LED muestre el ajuste que usted desea, libere el botón Velocidad. Luego de dos segundos, el Span está fijado y la pantalla LED mostrará la humedad relativa.

Características y opciones (continuación)

Luz de noche NiteGlo™

Presione el botón NiteGlo™ del Panel de control para encender y apagar la luz de noche.

NOTA: La lámpara de noche NiteGlo no funciona cuando el humidificador está apagado.

Rellenado del Tanque de agua

1. Si el nivel del tanque de agua es bajo, APAGUE y desconecte el humidificador.
2. Retire el tanque y llévelo a un fregadero o bañera para llenarlo nuevamente.
3. Invierta la posición del tanque y desenrosque la tapa del tanque girando en sentido antihorario. Vacíe el tanque, llénelo con agua fría y fresca (jamás use agua caliente), y coloque nuevamente la tapa del tanque. Asegúrese de no llenar demasiado el tanque ya que pueden ocurrir daños en los muebles o en el suelo debido a derrames de agua. HUNTER NO ACEPTARÁ RESPONSABILIDAD POR DAÑOS A LA PROPIEDAD CAUSADOS POR DERRAMES DE AGUA.
4. Coloque el tanque nuevamente en el humidificador. Voltee el tanque verticalmente y colóquelo sobre el humidificador. Asegúrese de que el tanque encaje correctamente en la bandeja. Si el tanque está colocado correctamente en la bandeja, usted podrá ver burbujas de aire que fluyen del tanque.

Mantenimiento del Humidificador

Muchas regiones tienen agua dura con altas concentraciones de minerales. Cuando el agua se evapora del Humidificador de evaporación Hunter®, los minerales pueden permanecer. Estos minerales pueden formar una dura incrustación blanca que puede ser eliminada usando las siguientes instrucciones de limpieza. La frecuencia de limpieza debido a la acumulación de mineral puede variar según la calidad del agua que tenga. Consulte los nombres de las partes en la Figura 1.

1. APAGUE el humidificador y desconecte la unidad.
2. Levante el alojamiento principal como se muestra en la figura 5. El motor está fijado al alojamiento principal. No coloque el motor cerca del agua.
3. Retire la Placa de drenaje y las tres Mechas. Vea las figuras 6A y 6B.

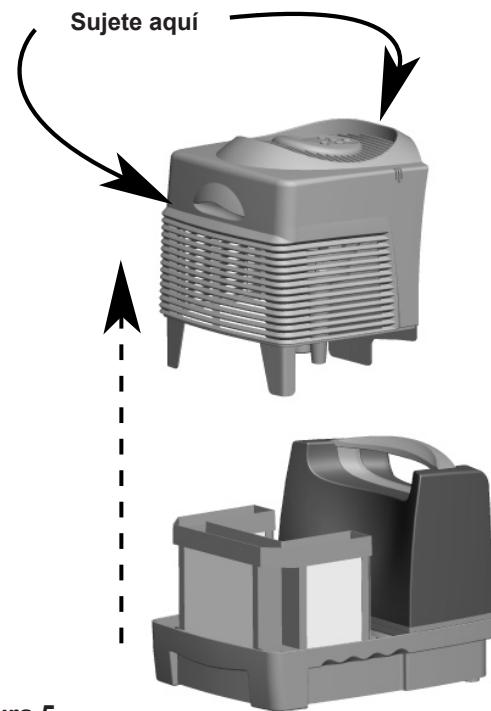


Figura 5

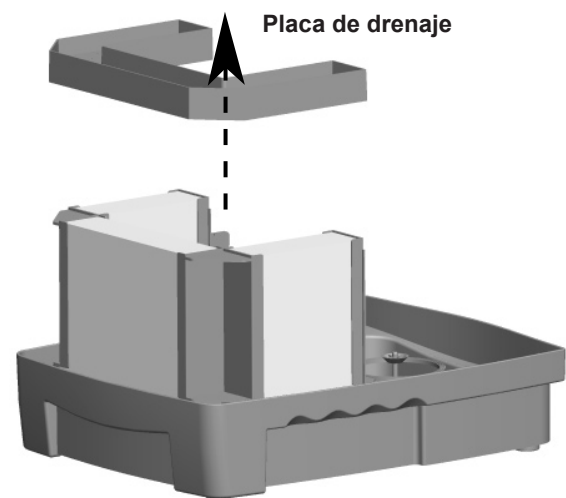


Figura 6A

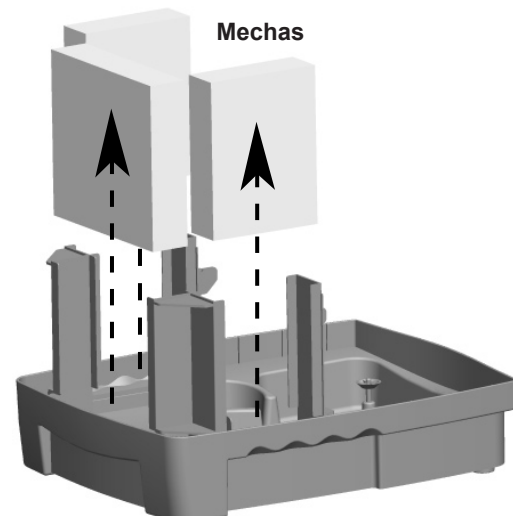


Figura 6B

Mantenimiento del Humidificador (continuación)

4. Invierta la posición del alojamiento principal para tener acceso a las partes limpiables del humidificador.
5. Presione los seguros del cabezal rociador en la dirección que se muestra en la figura 7, liberando el cabezal. Luego levante suavemente el cabezal rociador de su posición y déjelo descansar en el alojamiento principal.

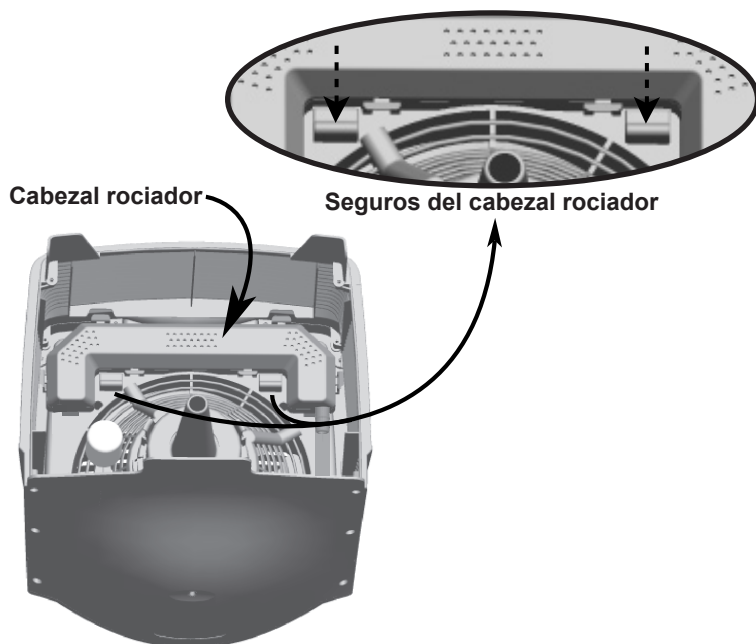


Figura 7

6. Presione los tres seguros de la cubierta de la bomba en la dirección que se muestra en la figura 8, liberando la cubierta de la bomba.

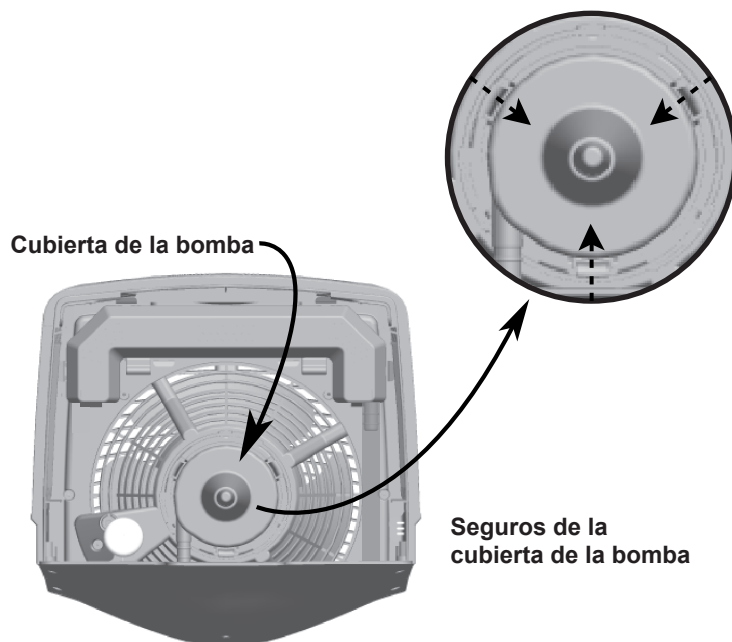


Figura 8

7. Retire el cabezal rociador, la cubierta de la bomba y la manguera del alojamiento principal. Vea la Figura 9.

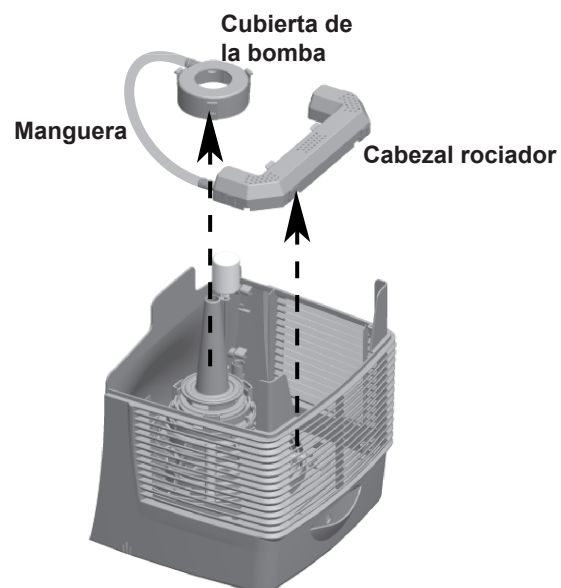


Figura 9

8. Presione los seis seguros del cabezal rociador en la dirección que se muestra en la figura 10 para separar las dos mitades del cabezal rociador.

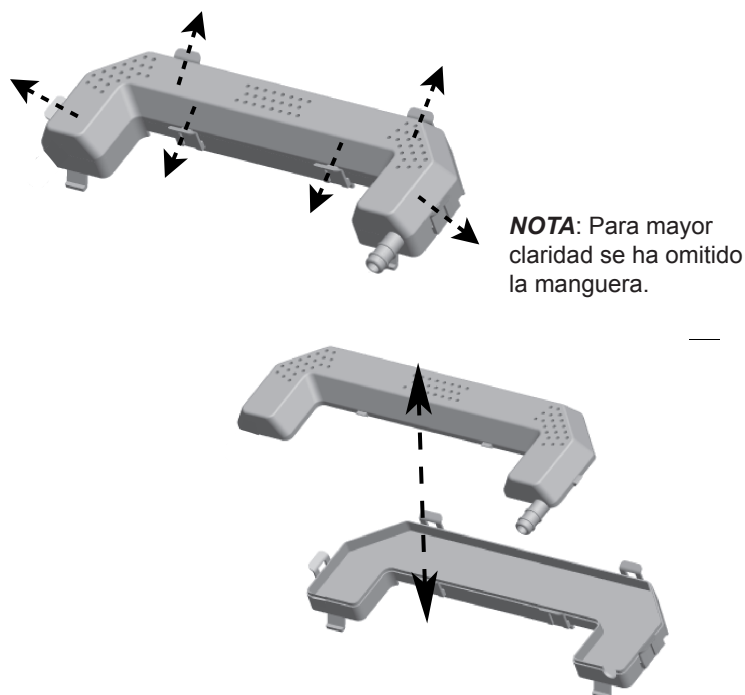


Figura 10

Mantenimiento del Humidificador (continuación)

9. Sujete el anillo bloqueador del eje del motor de manera que no pueda girar. Gire la bomba en sentido antihorario como se muestra en la figura 11 para aflojarlo.

NOTA: Girar la bomba en sentido horario la ajusta.

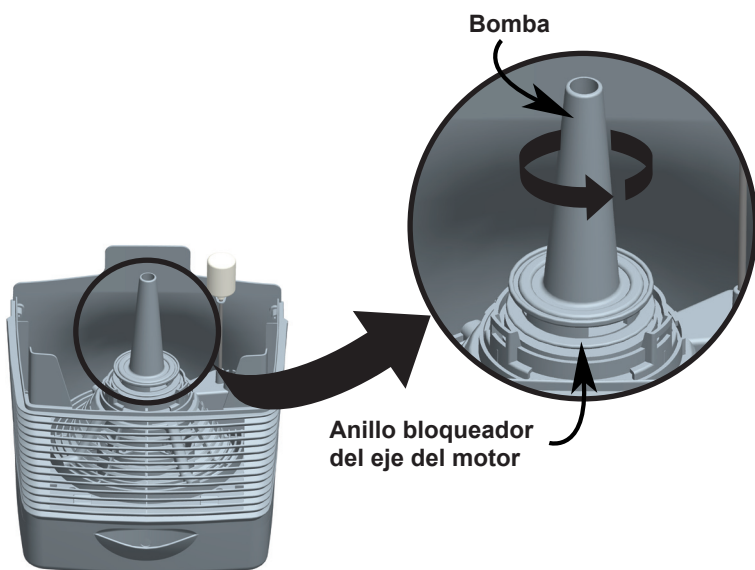


Figura 11

10. Retire la bomba y el anillo bloqueador del eje del motor. Vea la Figura 12.

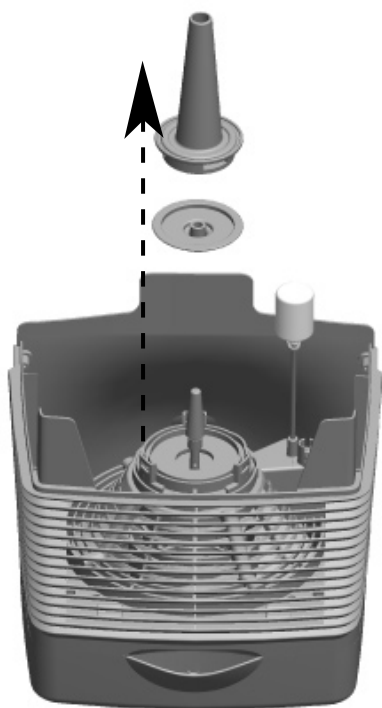


Figura 12

11. No esponga el motor ni otros componentes eléctricos al agua. No use una toalla húmeda en el motor o alojamiento del motor, ya que puede provocar un choque eléctrico.
12. Retire el tanque de agua de la bandeja y vacíe el agua que haya quedado en el tanque. Llene el tanque de agua con una mezcla de un (1) galón de agua y ocho (8) onzas de vinagre blanco. Deje la mezcla en el tanque de agua por 20 minutos, sacudiendo el Tanque de cuando en cuando. Luego de 20 minutos, sacuda por última vez el Tanque y deseche la mezcla. Enjuague el tanque de agua varias veces con agua limpia. Deje el tanque de agua destapado para que seque completamente.
13. Llene la bandeja con una mezcla de un (1) galón de agua y ocho (8) onzas de vinagre blanco. Deje la mezcla en la bandeja por 20 minutos, luego deseche la mezcla. Enjuague bien la bandeja con agua limpia y deje secar al aire o séquela con un paño.
14. Enjuague con agua limpia el cabezal rociador, la tapa de la bomba, la manguera, la bomba y el anillo bloqueador del eje del motor para eliminar cualquier residuo. Si las partes muestran residuo de agua dura, remójelas en una mezcla de un (1) galón de agua y ocho (8) onzas de vinagre blanco por 20 minutos, luego enjuague bien las partes con agua limpia.
15. Limpie las superficies del alojamiento principal con un paño suave.
16. Una vez que todas las partes estén limpias, vuelva a ensamblar el humidificador. **NOTA:** La parte inferior del anillo bloqueador del eje del motor tiene una ranura que encaja en las dos puntas del eje del motor. Vea la Figura 13. La ranura y las puntas **DEBEN ACOPLARSE** para que el humidificador sea ensamblado adecuadamente.

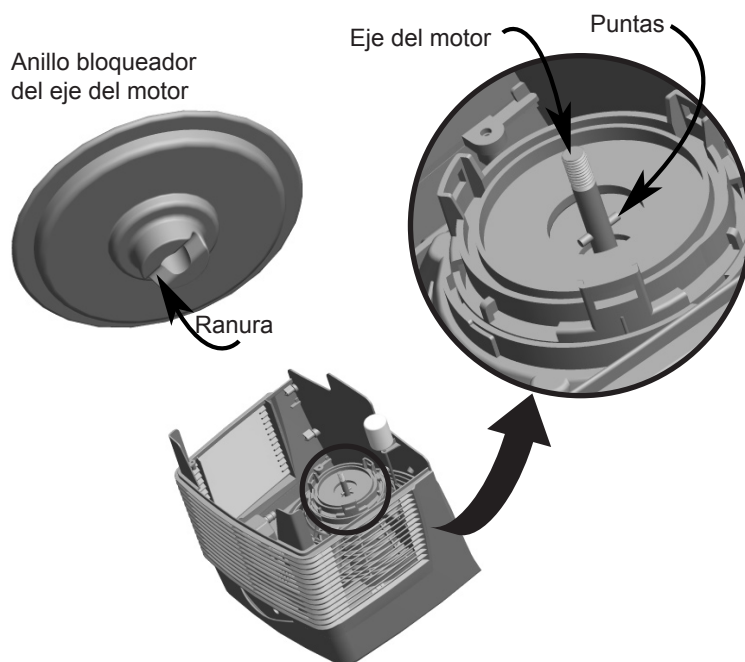


Figura 13

Mantenimiento del Humidificador (continuación)

17. Siga la sección USO DE SU HUMIDIFICADOR para continuar el uso. Si guarda el humidificador, asegúrese de que las partes estén completamente secas.

Localización y solución de problemas

Problema:

Ruido excesivo.

Solución:

1. Revise el tanque de agua para asegurarse de que está colocado correctamente en la unidad de alimentación.
2. Revise el tanque de agua para asegurarse de que no hay burbujas cuando el tanque de agua está lleno y en funcionamiento. Si hay burbujas, apague la unidad hasta que no se produzcan más burbujas. Cuando ya no se produzcan más burbujas, ajuste la unidad en el nivel de velocidad deseado.
3. Quite y limpie la tapa de la bomba y la bomba de embudo. Consulte la sección **LIMPIAR EL VAPORIZADOR Y EL TANQUE DE AGUA.**

Problema:

El vaporizador no funciona.

Solución:

1. Asegúrese de que la perilla de energía no está en la posición APAGADO.
2. Ajuste el nivel de humedad con la perilla de encendido y los controles del humidistato. Luego que la habitación alcance el nivel fijado de humedad, el humidificador se apagará; esto es normal.
3. Asegúrese de que la unidad de alimentación y el tanque de agua están completamente asentados en la bandeja.

Problema:

El vaporizador no enciende.

Solución:

1. Asegúrese de que el tanque de agua tenga agua.
2. Asegúrese de que el tanque de agua está asentado correctamente en la unidad de alimentación.
3. Verifique los niveles de humedad en la pantalla. Si la humedad de la habitación es igual o más alta que el nivel fijado, la unidad no encenderá.

Problema:

Acumulación de minerales en el tanque de agua o en la bandeja.

Solución:

1. Consulte la sección **LIMPIAR EL VAPORIZADOR Y EL TANQUE DE AGUA.**

Problema:

Disminución de la producción de vapor y del uso de agua.

Solución:

1. Verifique el ajuste del humidistato y el botón de encendido para asegurarse de que estén fijados en el nivel deseado de humedad.
2. Revise el tanque de agua para asegurarse de que no se producen burbujas cuando el tanque de agua está lleno y en funcionamiento. Si se producen burbujas, apague la unidad hasta que no se produzcan más burbujas. Cuando ya no se produzcan más burbujas, ajuste la unidad en el nivel de velocidad deseado.
3. Limpie los componentes que tengan acumulación de minerales. Consulte la sección **LIMPIAR EL VAPORIZADOR Y EL TANQUE DE AGUA.**

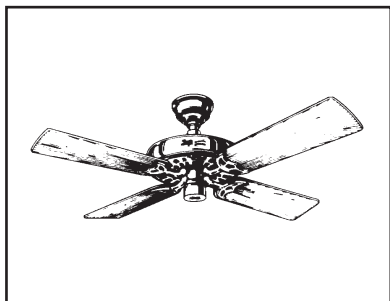
Si tiene alguna pregunta o problema, llame al 1-888-830-1326 para obtener ayuda antes de devolver la unidad al distribuidor.

Partes de repuesto

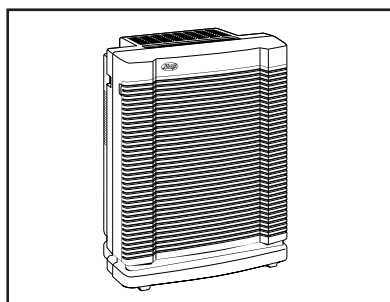
Para obtener una parte de repuesto para su humidificador, llame a Servicio al cliente al 1-888-830-1326 o escribanos a techsupport@hunterfan.com. Debe estar preparado para indicar al operador el número de modelo de su humidificador y el nombre y número de parte del componente que necesita reemplazar. Consulte los nombres de las partes en la Figura 1.

Modelo N°:	Bandeja	Conjunto del Tanque	Juego de mechas de repuesto
34407	97668	97670	87955

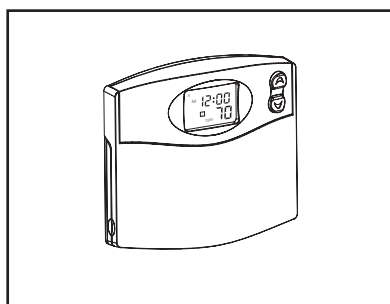
Otros productos Hunter para la comodidad de su hogar



Hunter Original®



Purificador de aire



Termostato
programable

Para obtener más información sobre los productos Hunter Fan Company,
visite nuestra página Web en:
www.hunterfan.com

HUNTER FAN COMPANY
2500 FRISCO AVENUE
Memphis, TN 38114, USA





Humidifier Care Free[®] à évaporation Permawick[™]



FRANÇAIS

Lire et conserver ces consignes

Modèle 34407, 37407

Table des matières

CONSIGNES DE SÉCURITÉ.....	19
Comment fonctionne l'humidificateur	19
Pièces de l'humidificateur.....	19
Utilisation de votre humidificateur.....	20
Fonctions et options	20
Remplissage du réservoir d'eau	21
Entretien de l'humidificateur	22
Dépannage.....	24
Pièces de rechange.....	25

LIRE ET CONSERVER CES CONSIGNES

Importantes consignes de sécurité : Lire toutes les consignes avant de vous servir de cet humidificateur.

1. Cet humidificateur pourrait ne pas fonctionner correctement sur une surface inégale. **TOUJOURS** poser cet humidificateur sur une surface solide, horizontale et résistante à l'humidité. **TOUJOURS** poser l'humidificateur à plus de 15 cm (6 po) des murs et des sources de chaleur comme les poêles, les radiateurs et les réchauds.
2. **TOUJOURS** poser l'humidificateur dans une aire hors de la portée des enfants.
3. Avant de se servir de l'humidificateur, dérouler et inspecter le cordon pour vérifier s'il est endommagé. **NE PAS** utiliser ce produit si le cordon a été endommagé.
4. Ce produit dispose d'une fiche polarisée (une broche est plus large que l'autre) comme dispositif de sécurité. Cette fiche ne peut être insérée dans une prise polarisée que d'une seule manière. Si la fiche ne s'insère pas complètement dans la prise, la retourner. Si elle ne s'insère toujours pas, contacter un électricien qualifié. **NE PAS** essayer d'annuler ou de contourner ce dispositif de sécurité.
5. **TOUJOURS DÉBRANCHER ET VIDER** l'humidificateur quand vous ne l'utilisez pas ou que vous le nettoyez.
6. **NE PAS** incliner ou déplacer l'humidificateur quand il fonctionne. Ne jamais déplacer l'humidificateur quand il y a de l'eau dans le réservoir. Vider le réservoir d'eau, éteindre l'appareil et le débrancher avant, de le déplacer.

7. En plus de l'entretien de routine nécessaire, cet humidificateur requiert un nettoyage saisonnier. Consulter et suivre les consignes de NETTOYAGE DE L'HUMIDIFICATEUR ET DU RÉSERVOIR D'EAU.

Comment fonctionne l'humidificateur

L'humidificateur à évaporation Hunter® dispose d'une conception brevetée unique, dotée de plusieurs caractéristiques novatrices :

- Entretien modéré – Les autres humidificateurs ont des filtres en papier qu'il faut remplacer tous les quelques mois. Notre filtre exclusif PermaWick™ permet d'économiser temps et argent. Il est conçu pour durer saison après saison, permettant d'économiser jusqu'à 45 \$ par année. Et sans odeurs de papier mouillé.
- Système à régulation Release™ – En dispersant l'eau depuis le sommet du filtre PermaWick™, l'eau stagnante autour de celui-ci est éliminée ainsi que l'accumulation de résidus minéraux qui peuvent boucher le filtre et nuire à sa performance.

NOTE : La mèche du filtre a un enduit qui peut le faire paraître vieux ou usé, mais il est réellement neuf.

- Propriétés antimicrobiennes intégrées – Les pièces en plastique de cet humidificateur ont des propriétés antimicrobiennes intégrées pour empêcher la croissance de bactéries, de moisissures et de champignons qui peuvent se développer sur ces pièces.

NOTE : Ce produit dispose de propriétés antimicrobiennes intégrées pour empêcher la croissance de bactéries qui pourraient causer un dommage au plastique et au filtre dans l'humidificateur. Ces propriétés ne s'étendent pas à l'eau, à l'air humidifié ou aux usagers. Faire un nettoyage et un entretien de routine selon l'usage et les conditions personnelles.

- Pas de poussière blanche – L'humidificateur à évaporation Hunter® ne produit aucune poussière blanche qui ferait des dépôts sur le mobilier ou qui pourrait être inhalée.

NOTE : Vous pourriez constater le dépôt de minéraux dans le socle du réservoir. C'est normal et cela ne nuit pas à la performance. Si vous désirez nettoyer ces dépôts, veuillez consulter le NETTOYAGE DE L'HUMIDIFICATEUR ET DU RÉSERVOIR D'EAU.

Pièces de l'humidificateur

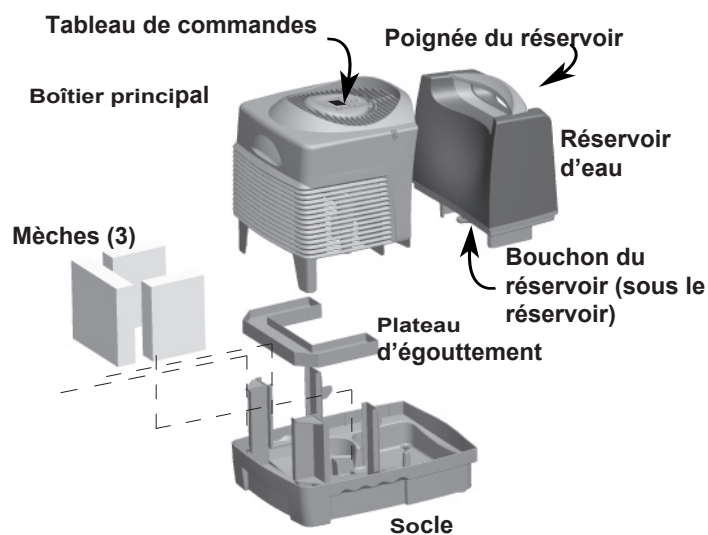


Figure 1

Pièces de l'humidificateur

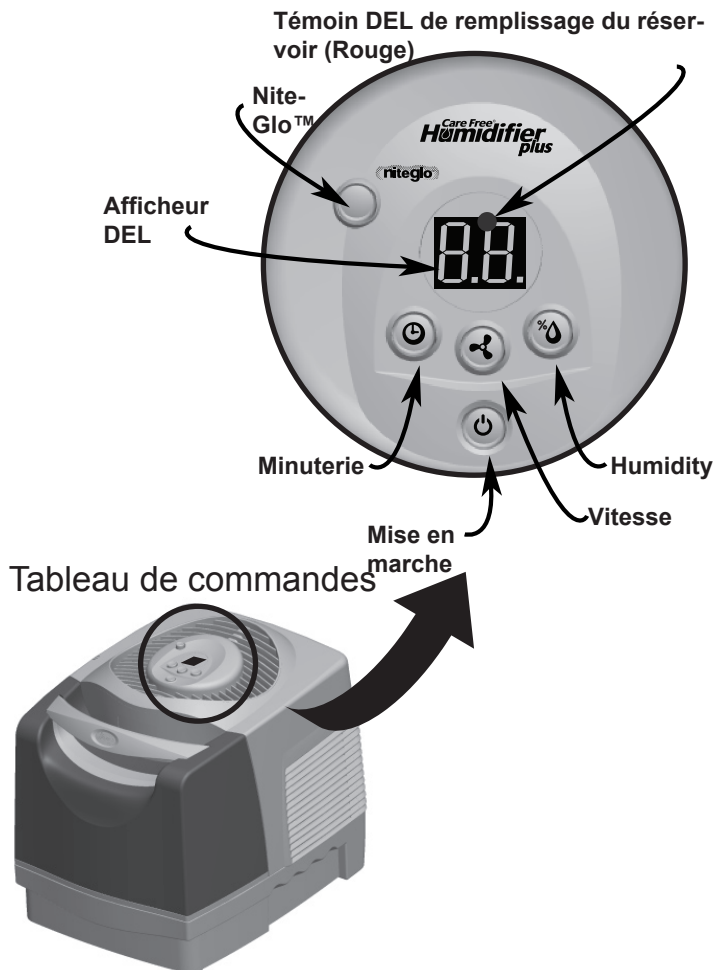


Figure 2

Mise en marche : Met en marche et arrête l'humidificateur. L'humidificateur doit toujours être arrêté avant de le débrancher, de le déplacer ou de remplir à nouveau le réservoir.

Témoin lumineux de remplissage : Le témoin DEL rouge s'allume pour signaler que l'humidificateur s'est automatiquement arrêté et qu'il faut remplir le réservoir d'eau.

Humidité : Vous permet de régler le niveau choisi d'humidité maximale. Une fois ce niveau dépassé, l'appareil s'arrêtera jusqu'à ce que le niveau d'humidité baisse.

NOTE : L'humidificateur pourrait ne pas fonctionner si le réglage de la plage a besoin d'être ajusté.

Vitesse : Règle la vitesse du ventilateur de l'humidificateur sur Lente (1), Moyenne (2), ou Rapide (3).

Minuterie : Règle le fonctionnement de l'humidificateur pour 2, 4, 8, ou 10 heures. Quand la minuterie n'est pas utilisée, l'humidificateur fonctionnera automatiquement

Utilisation de votre humidificateur

Installation de base et fonctionnement

1. Retirer l'humidificateur à évaporation Hunter® Ede son emballage.
2. Toujours poser l'humidificateur sur une surface solide, horizontale et résistante à l'humidité. Toujours poser l'humidificateur à plus de 15 cm (6 po) des murs et des sources de chaleur.
3. Saisir le réservoir d'eau par sa poignée et le retirer du socle. Voir Figure 3.

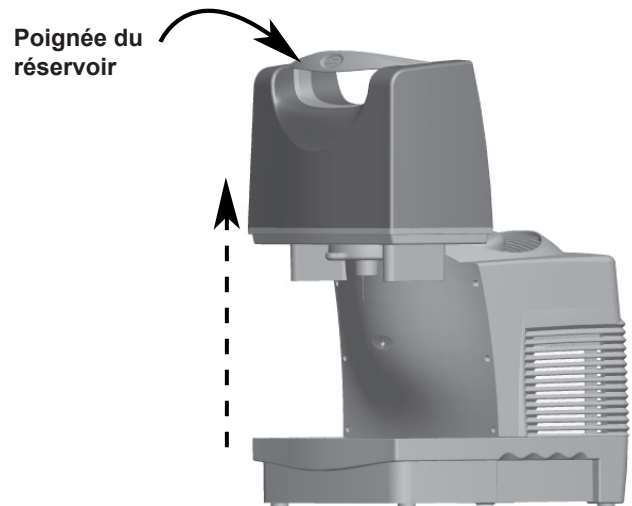


Figure 3

4. Retourner le réservoir d'eau et enlever son bouchon de remplissage. Voir Figure 4.

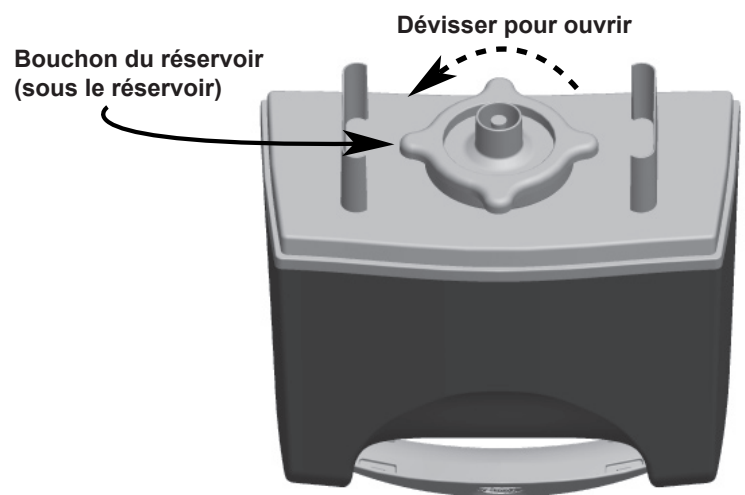


Figure 4

Utilisation de votre humidificateur

- Remplir le réservoir d'eau, retourner son bouchon de remplissage dans sa position et le serrer, puis remettre le réservoir sur le socle.
- Brancher le cordon d'alimentation de l'humidificateur dans une prise de courant standard.
- Appuyer sur le bouton de mise en marche du tableau de commandes.
- Pour voir l'humidité en cours, appuyer sur le bouton de l'humidité. Pour modifier l'humidité, appuyer pendant 3 secondes sur le bouton de l'humidité. L'afficheur DEL clignotera en montrant le réglage courant de l'humidité. Appuyer sur le bouton de l'humidité jusqu'à ce que l'afficheur DEL montre le réglage d'humidité désiré. Vous pouvez changer le réglage par incréments de 5 % entre 30 % et 80 % d'humidité relative. Lorsque l'afficheur DEL montre le réglage d'humidité désiré, relâcher le bouton de l'humidité. Après 2 secondes, le réglage d'humidité est enregistré et l'afficheur DEL montre l'humidité relative.
- Pour voir le réglage en cours de la vitesse du ventilateur, appuyer sur le bouton de la vitesse. Pour changer la vitesse, appuyer pendant 3 secondes sur le bouton de la vitesse. L'afficheur DEL clignotera en montrant le réglage courant de la vitesse. Appuyer sur le bouton de la vitesse jusqu'à ce que l'afficheur DEL montre le réglage de vitesse désiré, Lente (1), Moyenne (2), ou Rapide (3). Relâcher le bouton de la vitesse. Après 2 secondes, le réglage de vitesse est enregistré et l'afficheur DEL montre l'humidité relative.
- En fonctionnement normal, l'afficheur DEL montre l'humidité relative de l'espace où se trouve votre humidificateur.

Remplissage du réservoir d'eau

Arrêt automatique

NOTE : Quand le réservoir d'eau est vide, l'humidificateur s'arrête automatiquement et le témoin DEL rouge de remplissage du réservoir s'allume. Le témoin DEL rouge de remplissage du réservoir s'éteindra lorsque celui-ci sera rempli et remis sur l'humidificateur.

Minuterie

Vous pouvez régler votre humidificateur pour fonctionner durant des périodes déterminées à l'avance.

- Pour voir le réglage en cours de la minuterie, appuyer une fois sur le bouton de la minuterie.
- Pour modifier le réglage de la minuterie, appuyer sur le bouton de la minuterie pendant 3 seconds. Le réglage en cours de la minuterie va clignoter.
- Appuyer à nouveau sur le bouton de Minuterie pour changer le réglage. Les réglages en heures sont OF (Arrêt), 2, 4, 8 et 10.

- Lorsque l'afficheur DEL montre le réglage de durée de fonctionnement que vous désirez, relâcher le bouton de la minuterie. Après 2 secondes, la durée de fonctionnement est enregistrée et l'afficheur DEL montre l'humidité relative.
- L'humidificateur s'arrêtera automatiquement lorsque la période déterminée expire.

Réglage de la plage

Votre humidificateur est réglé en usine pour fonctionner au réglage 2. Si vous trouvez que votre humidificateur fonctionne trop souvent ou pas assez souvent, changer le réglage de la plage pour changer la durée du cycle.

- Pour voir le réglage de la plage, appuyer en même temps sur les boutons Humidité et Vitesse.
- Pour modifier le réglage de la plage, appuyer en même temps pendant trois secondes sur les boutons Humidité et Vitesse. L'afficheur DEL clignotera en montrant le réglage courant de la plage.
- Appuyer sur le bouton de la vitesse pour modifier le réglage de la plage. Régler la plage à 3 pour augmenter la durée de fonctionnement de l'humidificateur. Régler la plage à 1 pour réduire la durée de fonctionnement de l'humidificateur.
- Lorsque l'afficheur DEL montre le réglage de la plage désiré, relâcher le bouton de la vitesse. Après 2 secondes, la plage est réglée et l'afficheur DEL montre l'humidité relative.

La veilleuse NiteGlo™

La veilleuse NiteGlo™ Appuyer sur le bouton NiteGlo™ du tableau de commandes pour allumer ou éteindre la veilleuse.

NOTE : La veilleuse NiteGlo™ ne fonctionne pas lorsque l'humidificateur est arrêté.

Remplissage du réservoir d'eau

- Si le niveau de l'eau est trop bas, arrêter l'humidificateur et le débrancher.
- Retirer le réservoir et le porter à l'évier ou au bain pour le remplir à nouveau.
- Retourner le réservoir d'eau et dévisser son bouchon dans le sens antihoraire. Vider le réservoir, le remplir d'eau froide (ne jamais utiliser d'eau chaude) et replacer le bouchon. Faire attention à ne pas trop remplir le réservoir car l'eau pourrait endommager le mobilier ou le plancher à cause d'un déversement. HUNTER N'ACCEPTERA AUCUNE RESPONSABILITÉ POUR DES DOMMAGES MATÉRIELS DUS À DES DÉVERSEMENTS D'EAU.
- Reporter le réservoir à l'humidificateur. Retourner le réservoir et le remettre sur l'humidificateur. Vérifier que le réservoir est bien engagé dans le socle. Si le réservoir d'eau est bien en place sur le socle, vous verrez des bulles d'air monter dans le réservoir..

Entretien de l'humidificateur

Dans plusieurs régions, l'eau est dure avec des concentrations élevées en minéraux. Quand l'eau s'évapore de l'humidificateur à évaporation Hunter®, des minéraux peuvent s'accumuler. Ces minéraux peuvent former un dépôt blanc et dur qui peut être éliminé en suivant les consignes de nettoyage. La fréquence de nettoyage due au dépôt de minéraux varie selon la qualité de votre eau. Consulter la Figure 1 pour le nom des pièces.

1. Arrêter l'humidificateur et le débrancher.
2. Soulever le boîtier principal comme le montre la Figure 5. Le moteur est fixé au boîtier principal. Ne pas placer le moteur près de l'eau.

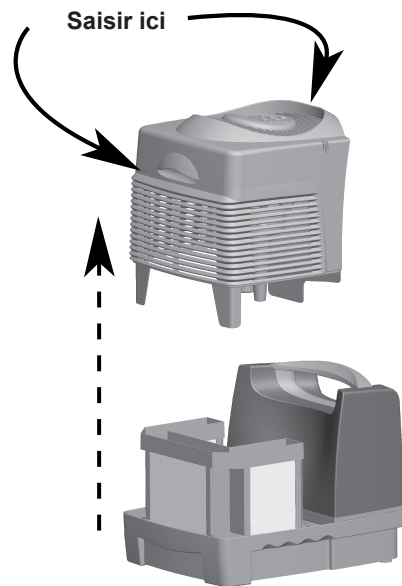


Figure 5

3. Retirer le plateau d'égouttement et les trois mèches. Voir Figures 6A et 6B.

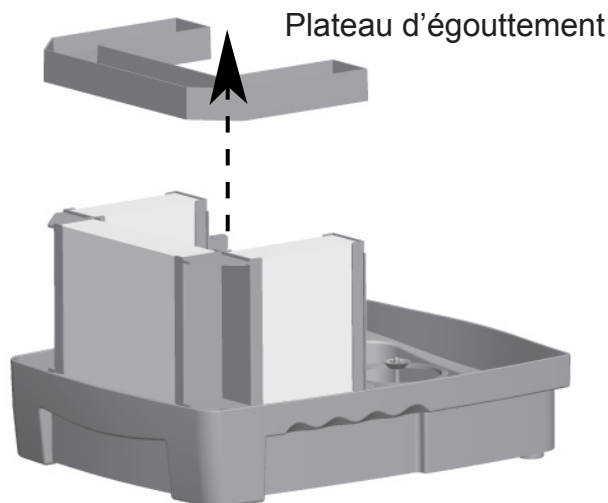


Figure 6A

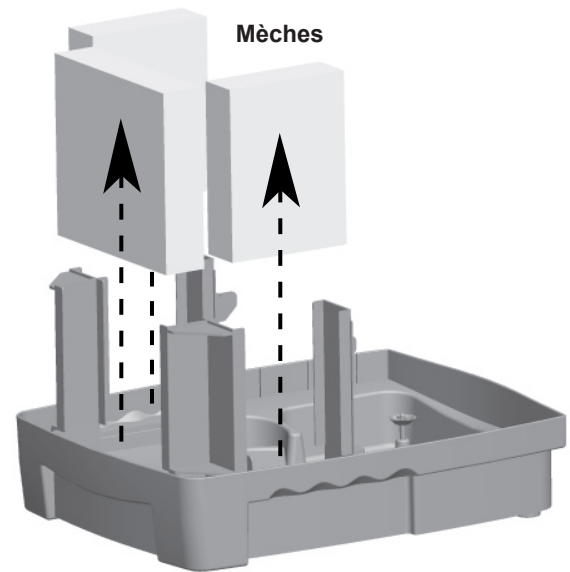


Figure 6B

4. Retourner le boîtier principal pour avoir accès aux pièces nettoyables de l'humidificateur.
5. Appuyer sur les taquets de la pomme de douche pour libérer celle-ci, dans la direction que montre la Figure 7. Ensuite, soulever doucement la pomme de douche de sa position et la poser sur le boîtier principal.

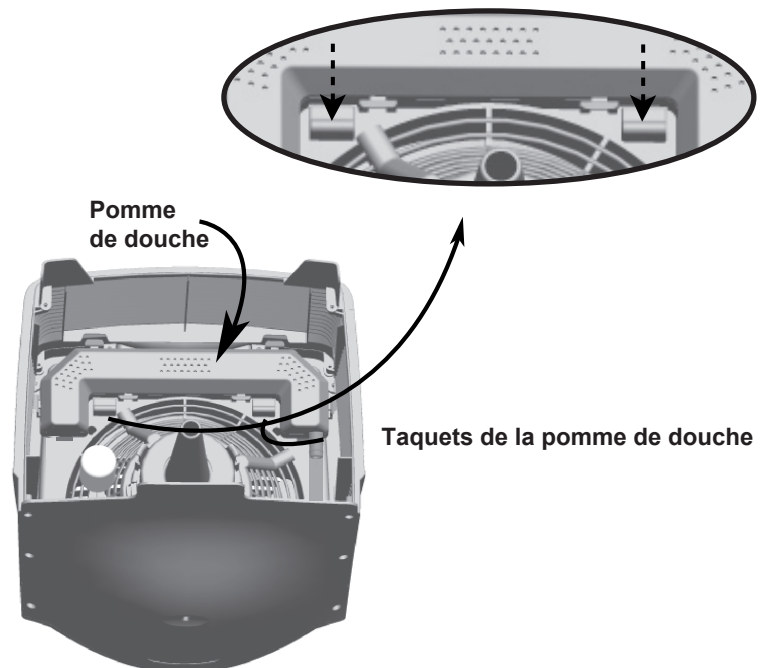


Figure 7

Utilisation de votre humidificateur

6. Appuyer sur les trois taquets du couvercle de la pompe pour libérer celui-ci, dans la direction que montre la Figure 8.

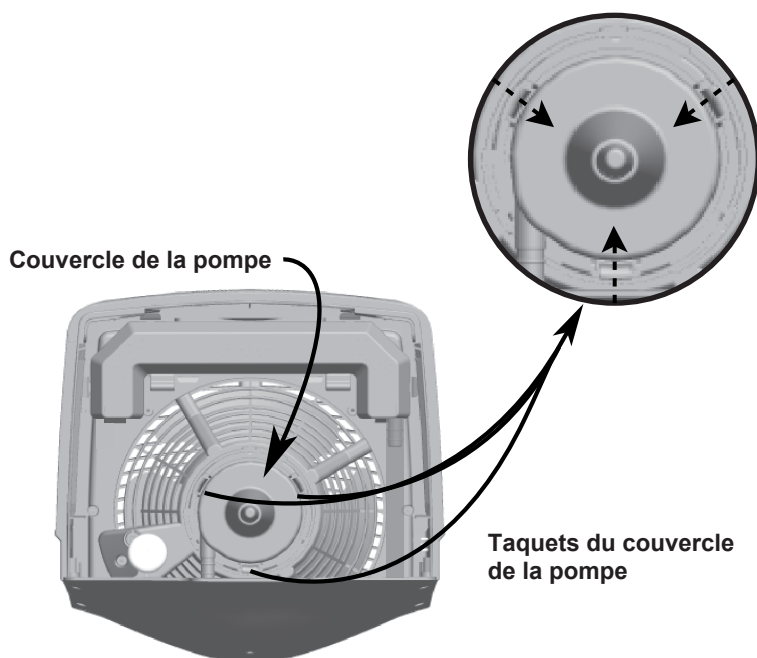


Figure 8

7. Retirer la pomme de douche, le couvercle de la pompe et le tube du boîtier principal. Voir Figure 9.

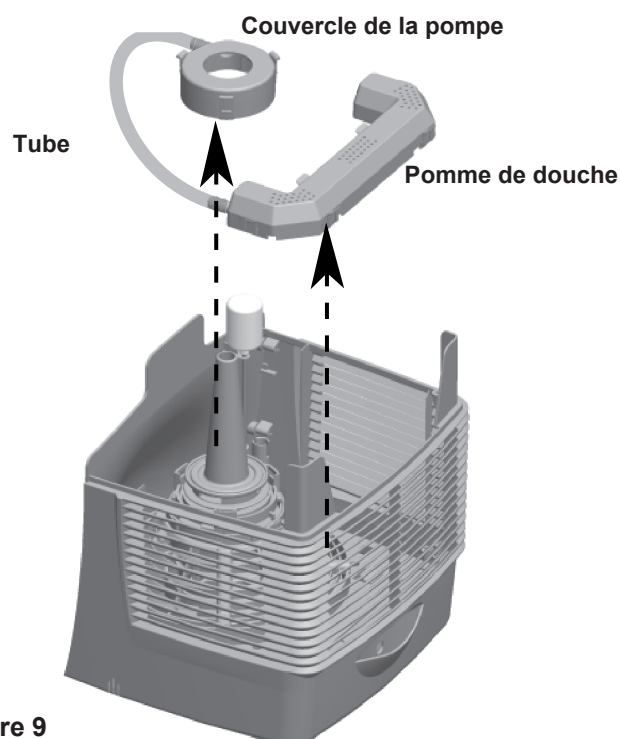


Figure 9

8. Appuyer sur les six taquets de la pomme de douche, pour séparer les deux moitiés de celle-ci, dans la direction que montre la Figure 10.

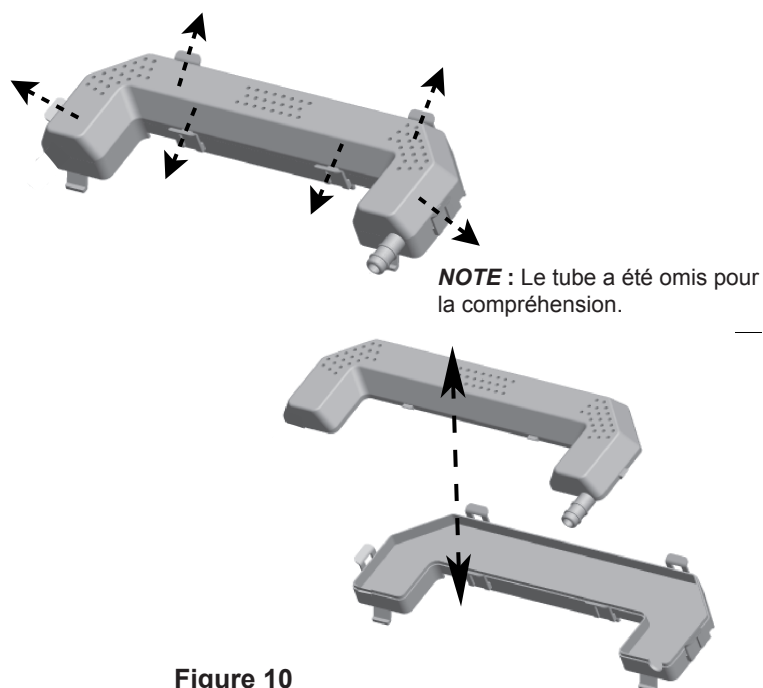


Figure 10

9. Tenir la bague d'étanchéité de l'arbre moteur afin qu'elle ne puisse tourner. Appliquer une torsion antihoraire à la pompe pour la desserrer comme le montre la figure. Figure 11.
NOTE : Une torsion horaire à la pompe la resserre.

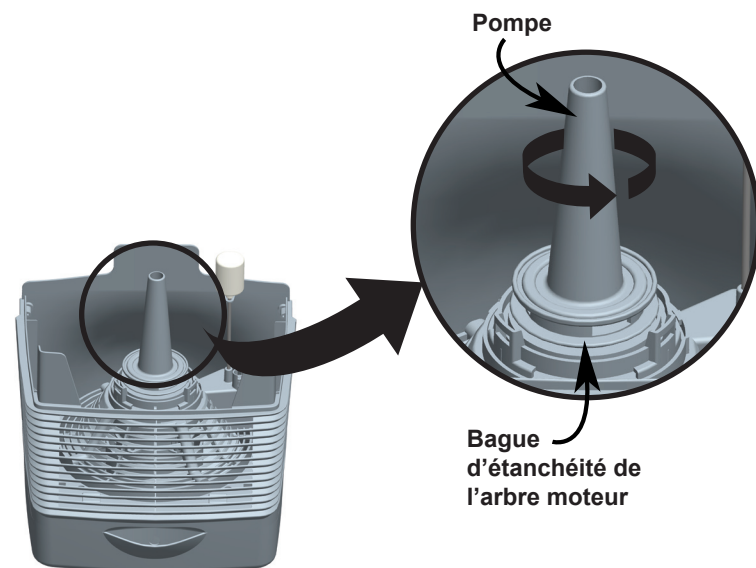


Figure 11

Utilisation de votre humidificateur

10. Retirer la pompe et la bague d'étanchéité de l'arbre moteur Voir Figure 12.

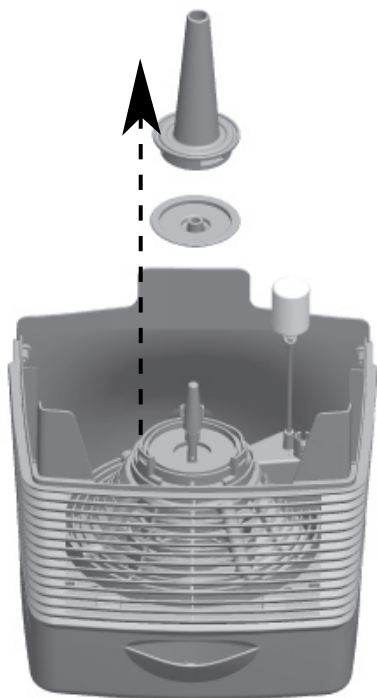


Figure 12

11. Ne pas exposer à l'eau le moteur ou d'autres éléments électriques. Ne pas utiliser de serviette mouillée sur le moteur ou le boîtier du moteur à cause de la possibilité d'un choc électrique.
12. Détacher le réservoir d'eau du socle et vider l'eau résiduelle. Remplir le réservoir d'eau d'une solution de 3,6 litres d'eau et de 0,25 litre de vinaigre. Laisser la solution dans le réservoir pendant 20 minutes, en l'agitant de temps en temps. Après 20 minutes, agiter le réservoir une dernière fois et jeter la solution. Rincer plusieurs fois le réservoir à l'eau claire et froide. Laisser le réservoir d'eau ouvert pour le laisser sécher complètement.
13. Remplir le socle d'une solution de 3,6 litres d'eau et de 0,25 litre de vinaigre. Laisser la solution dans le socle pendant 20 minutes; puis le jeter. Bien rincer le socle à l'eau claire et le laisser sécher à l'air ou l'essuyer avec un linge.
14. Rincer la pomme de douche, le couvercle de pompe, le tube, la pompe et la bague d'étanchéité de l'arbre moteur à l'eau claire pour enlever tous les débris. S'il y a un dépôt d'eau dure sur les pièces, les faire tremper dans une solution de 3,6 litres d'eau et de 0,25 litre de vinaigre pendant 20 minutes, puis les rincer à l'eau claire.
15. Essuyer les surfaces du boîtier principal avec un chiffon doux.

16. Une fois toutes les pièces propres, remonter l'humidificateur. NOTE : La face inférieure de la bague d'étanchéité de l'arbre moteur a une gorge qui s'adapte sur deux ergots sur l'arbre moteur Voir Figure 13. Il faut que la gorge et les ergots SOIENT ENGAGÉS pour que l'humidificateur soit correctement remonté.

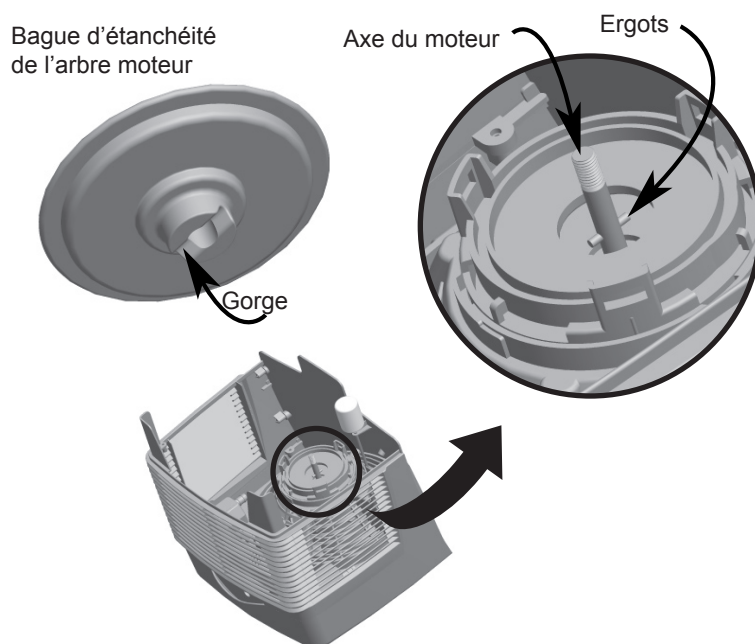


Figure 13

17. Suivre le chapitre UTILISATION DE VOTRE HUMIDIFICATEUR pour poursuivre l'utilisation. Si vous désirez ranger l'humidificateur, vérifier que les pièces sont complètement sèches.

Dépannage

Problème :
Bruit excessif.

Solution :

1. Vérifier que le réservoir d'eau est bien en place sur le bloc d'alimentation.
2. Vérifier qu'il n'y a pas de bulles dans le réservoir d'eau lorsqu'il est plein et qu'il fonctionne. S'il y a des bulles, arrêter l'appareil jusqu'à ce que les bulles s'arrêtent. Quand il n'y a plus de bulles, régler l'appareil à la vitesse désirée.
3. Retirer et nettoyer le couvercle de la pompe et l'entonnoir pompe. Reportez-vous au chapitre NETTOYAGE DE L'HUMIDIFICATEUR ET DU RÉSERVOIR D'EAU.

Problème :
L'humidificateur ne fonctionne pas.

Solution :

1. Avant d'effectuer l'installation, assurez-vous que le bouton de mise en marche n'est pas à l'arrêt.
2. Ajuster le niveau humidité à l'aide du bouton de mise en marche et des commandes de l'humidistat. Une fois que la pièce a atteint le niveau d'humidité prévu, l'humidificateur s'arrêtera; c'est normal.
3. Assurez-vous que le bloc d'alimentation et le réservoir d'eau sont tous les deux bien engagés dans le socle.

Problem :

L'humidificateur ne se met pas en marche.

Solution :

1. Vérifier qu'il y de l'eau dans le réservoir.
2. Assurez-vous que le réservoir d'eau est bien engagé sur le bloc d'alimentation.
3. Vérifier les niveaux d'humidité sur l'afficheur. Si l'humidité ambiante de la pièce est égale ou supérieure au niveau choisi, l'appareil ne se mettra pas en marche.

Problème :

Dépôt de minéraux dans le réservoir d'eau ou le socle.

Solution :

1. Reportez-vous au chapitre NETTOYAGE DE L'HUMIDIFICATEUR ET DU RÉSERVOIR D'EAU.

Problème :

Émission d'humidité et utilisation d'eau réduites.

Solution :

1. Vérifier le réglage de l'humidistat et le bouton de mise en marche pour être sûr qu'ils sont réglés au niveau d'humidité désiré.
2. Vérifier qu'il n'y a pas de bulles dans le réservoir d'eau lorsqu'il est plein et qu'il fonctionne. S'il y a des bulles, arrêter l'appareil jusqu'à ce que les bulles s'arrêtent. Quand il n'y a plus de bulles, régler l'appareil à la vitesse désirée.
3. Nettoyer tous les éléments présentant des dépôts de minéraux. Reportez-vous au chapitre NETTOYAGE DE L'HUMIDIFICATEUR ET DU RÉSERVOIR D'EAU.

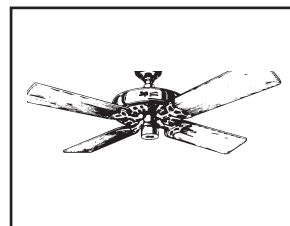
Si vous avez des questions ou des problèmes, Veuillez appeler le 1-866-268-1936 pour obtenir de l'aide avant de retourner l'appareil au détaillant.

Pièces de rechange

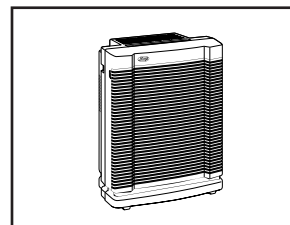
Pour obtenir une pièce de rechange pour votre humidificateur, appelez le service à la clientèle Hunter au 1-866-268-1936 ou envoyez-nous un courriel à techsupport@hunterfan.com. Soyez prêt à fournir à l'opérateur le numéro de modèle de votre humidificateur, le nom et le numéro de la pièce que vous devez remplacer. Consulter la Figure 1 pour le nom des pièces.

Modèle No.	Socle	Ensemble réservoir	Jeu de mèches de rechange
37407	97668	97670	87955

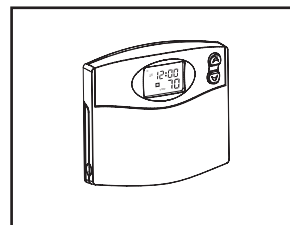
Autres produits de Hunter pour le confort de votre foyer



Hunter Original®



Purificateur d'air



Thermostat programmable

Pour en savoir plus au sujet des produits Hunter Fan, consultez notre page Web page à : www.hunterfan.com

HUNTER FAN COMPANY
2500 FRISCO AVENUE
MEMPHIS, TN 38114, USA



Free Manuals Download Website

<http://myh66.com>

<http://usermanuals.us>

<http://www.somanuals.com>

<http://www.4manuals.cc>

<http://www.manual-lib.com>

<http://www.404manual.com>

<http://www.luxmanual.com>

<http://aubethermostatmanual.com>

Golf course search by state

<http://golfingnear.com>

Email search by domain

<http://emailbydomain.com>

Auto manuals search

<http://auto.somanuals.com>

TV manuals search

<http://tv.somanuals.com>