

Hunter

2-Wire Fan & Light Control Model 27186

120 VAC, 60 Hz, 1.0 Amp Fan, 300 Watts incandescent light.

Read and Save these Instructions

Caution: Risk of Electrical Shock!

All wiring must be performed in accordance with national and local electrical codes. If you are unfamiliar with the wiring codes, you should use a qualified electrician.

To avoid overheating and possible damage to other equipment, do not install to control a receptacle, fluorescent light fixture, motor operated appliance, or transformer-supplied appliance. Use only to control one ceiling fan and incandescent light fixture.

1. This device complies with Part 15 of the FCC Rules. Operation is subject to the following two conditions: (1) this device may not cause harmful interference, and (2) this device must accept any interference received, including interference that may cause undesired operation.

2. This equipment has been tested and found to comply with the limits for a Class B digital device, pursuant to Part 15 of the FCC Rules. These limits are designed to provide reasonable protection against harmful interference in a residential installation. This equipment generates, uses and can radiate radio frequency energy and, if not installed and used in accordance with the instructions, may cause harmful interference to radio communications. However, there is no guarantee that interference will not occur in a particular installation. If this equipment does cause harmful interference to radio or television reception, which can be determined by turning the equipment off and on, the user is encouraged to try to correct the interference by one or more of the following measures:

- Reorient or relocate the receiving antenna.
- Increase the separation between the equipment and receiver.
- Connect the equipment into an outlet on a circuit different from the one the receiver is connected to.
- Consult the dealer or an experienced radio/TV technician for help.

3. For use only with electrically reversible ceiling fans rated at 1.0 amp or less, and fan incandescent light kits rated at 300 watts or less.

4. Not for use with shaded-pole motors. Not recommended for use with the Hunter Original®. For Hunter Original® series fans, use Hunter control model numbers 27187, 22691, or 27189.

5. Medium and Low fan speeds are determined by the All-Fan® control and thus may vary from the factory settings due to normal motor variations.

6. For use with Hunter Hanging systems (excludes Hunter Original) on angled ceilings up to 34 degree pitch.

7. Any changes or modifications to this equipment not expressly approved by Hunter Fan Company will void the user's authority to operate the equipment.

Before Installing the All-Fan® Control:

1. Use the pull chain to set the fan speed to the HIGH position before installation. DO NOT use the pull chain to change the fan speed after installation, as damage to your ceiling fan may result. The speed of the fan should only be changed by the All-Fan® control.

2. Set the ceiling fan light kit to the ON position before installing the All-Fan® control. The light level should only be changed by the All-Fan® control.

Fan Installation Types

NOTE: Some fans may have considerable excess lead wire. For easier canopy installation, cut the excess wire, leaving a minimum of 6 inches remaining. Restrip the fan lead wires 1/2 inch. Place remaining excess wire into the ceiling electrical box as needed.

Canopy Hanger (Fig. 2-A): Place receiver in canopy. Connect wiring as shown in Figure 3. Extend antenna through one of the ceiling plate openings (approximately 3-6").

Hunter Hands-Free™ Canopy (Fig. 2-B): Connect wiring as shown in Figure 3. Place receiver inside mounting bracket. (On some Wisper Wind™ models, the receiver must rest across the bottom of the mounting bracket.) Extend antenna above the ceiling mounting bracket (approximately 3-6").

Low Profile Style I (Fig. 2-C): Attach the receiver to the motor mounting plate with 12" cable ties (not included). Cut off any extra cable tie. Connect wiring as shown in Figure 3. Extend antenna through one of the ceiling plate openings (approximately 3-6").

Low Profile Style II (Fig. 2-D): Attach the receiver to the ceiling bracket with 12" cable ties (not included). Trim off the excess cable tie length. Connect wiring as shown in Figure 3. Extend antenna above the ceiling mounting bracket (approximately 3-6").

Bracket Hanger (Fig. 2-E): Starting with the antenna wire, slide receiver inside mounting bracket. If a ground wire mounting screw prevents the receiver from sliding into the bracket, move ground wire and screw to

an unused hole at the top of the bracket or secure with a canopy mounting screw. The bracket must remain properly grounded. Connect wiring as shown in Figure 3. Extend antenna above the receiver (approximately 3-6").

Cable Tie Routing for Low Profile Fans (Figs. 2-C, 2-D): Insert cable tie through openings as shown. DO NOT insert the cable tie through the inside of the receiver. The cable tie can be placed across the length or width of the receiver to best match your fan installation type.

Receiver Installation:

1. Disconnect power to the ceiling fan and light kit at the main electrical panel. Remove fuse or move circuit breaker to the OFF position.

IMPORTANT! Before installing this control, change the factory default DIP switch settings to your own unique code. Refer to Figure 1. Be sure the DIP switch positions of the transmitter and receiver match, or the ceiling fan will not function.

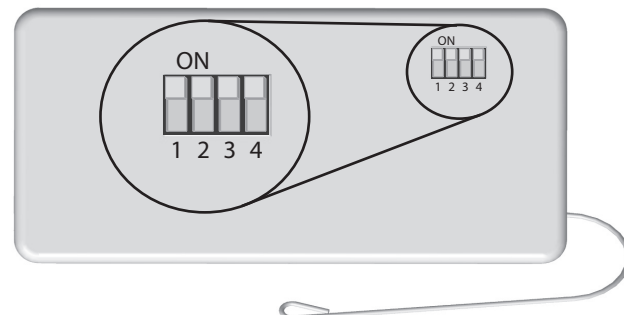
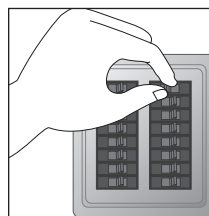


Figure 1.

2. Select different combinations of DIP switches to prevent misoperation due to other remote control fans, garage door openers, etc.

3. Determine your ceiling fan mounting type (Figure 2). Most installations will be one of these five types: Canopy Hanger, Hunter Hands-Free™ Canopy, Low Profile Styles I or II, or Bracket Hanger.

4. Install the ceiling fan according to its instructions, up to the point of making the electrical connections. Connect receiver to ceiling fan according to the mounting type as instructed in Figure 2.

5. If the fan is already installed, reverse the installation procedure to the point of disconnecting the fan wiring. Connect receiver to ceiling fan according to the mounting type as instructed in Figure 2.

6. Use the 2 large wire nuts supplied to connect the receiver and house wiring, then use the 3 small wire connectors supplied to connect the receiver and ceiling fan wiring. Refer to the Wiring Diagram in Figure 3.

7. Be sure the antenna is positioned securely, so it does not interfere with the ceiling fan motor. Refer to Figure 2. Do not modify or damage the antenna wire, as control performance may be reduced. After securing the receiver, antenna, and wiring, finish hanging the ceiling fan according to its instructions.

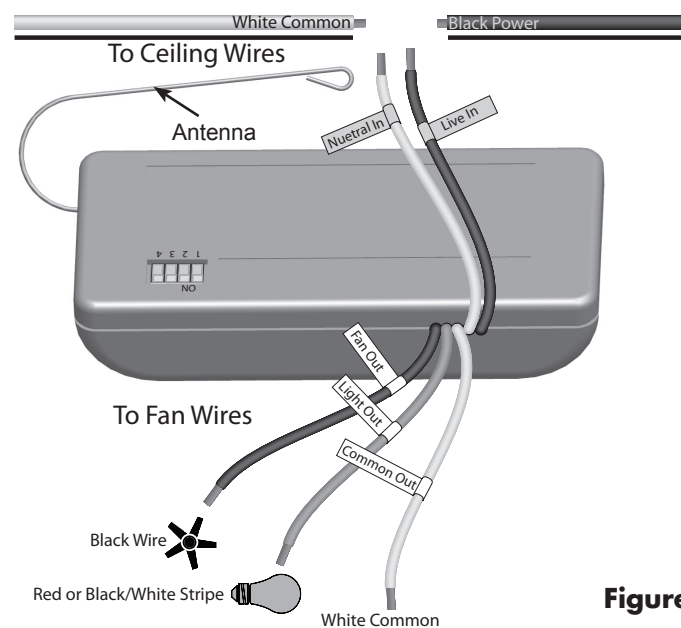


Figure 3.

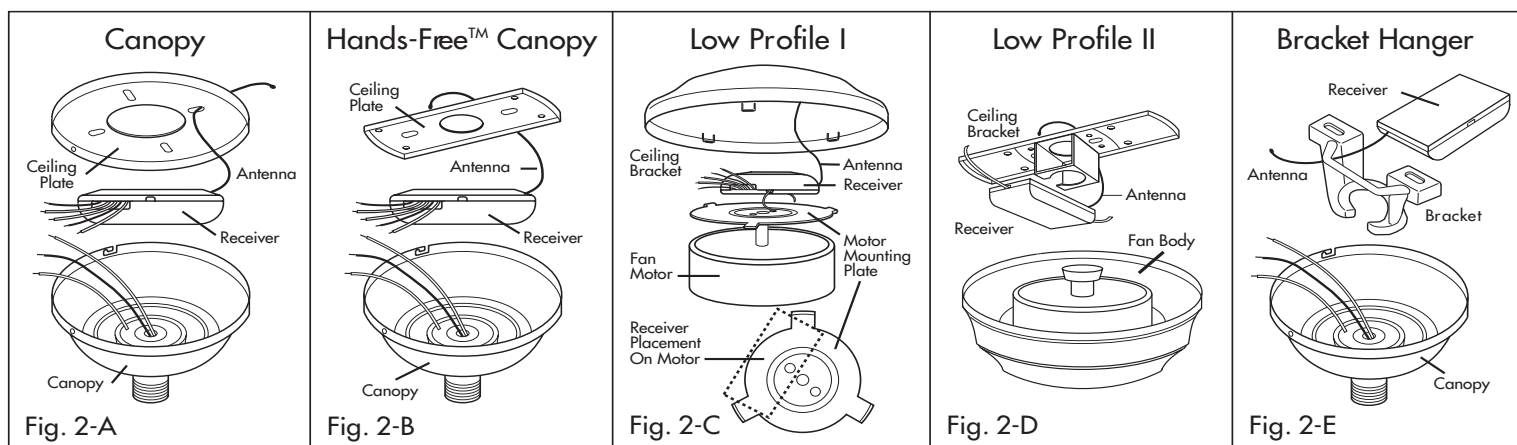


Figure 2

Wall Control Installation:

1. Remove rocker-style wallplate (not included) to expose the wall wiring.
2. If 4 wires are visible, connect each black wire to an All-Fan® lead. Use 2 of the large wire connectors supplied to make the connections. Refer to Figure 5.
3. If there is a ground wire in your electrical box, attach it to the ground screw near the bottom of the mounting plate.
4. Gently push wires and wall control into the electrical box. Attach the All-Fan® control to the switch box with the two screws provided.
5. Verify that the master switch is in the OFF position. Press inward on each side of the wall control to remove the face cover. Set the DIP switches in the wall control to match the DIP switches in the receiver. Figure 4. Install a 12-volt alkaline battery (A23, MN21, or equivalent). Replace the face cover.
6. Restore power at the electrical panel.



Figure 4.

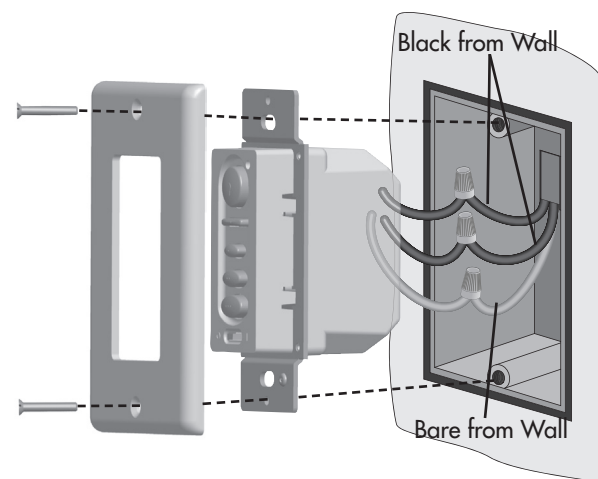


Figure 5.

Operation (Figure 6.):

1. Turn ON the wall switch. The light will turn ON at maximum brightness.
2. Light Operation:

- Press and quickly release the light button on the wall control to turn the light OFF or ON.
- Press and hold the light button for more than 1 second to turn the light ON and gradually dim the light from maximum brightness down to OFF.
- Release the light button when the desired light level is reached.
- Continue to hold the light button to repeat the cycle (Maximum - Light Level Decrease - OFF)
- Turning the light OFF resets the dimming function. The next press of the light button will turn the light on to full brightness.
- After a power outage, the light will remain off after power is restored. Press and quickly release the light button once to turn the light back on after a power outage.

3. Fan Operation:

- Press the High, Medium, or Low speed buttons to turn the ceiling fan ON at the desired speed.
- Press the fan OFF key to turn the ceiling fan OFF.
- For best operation: Allow the ceiling fan motor to start on High, then select the desired speed.

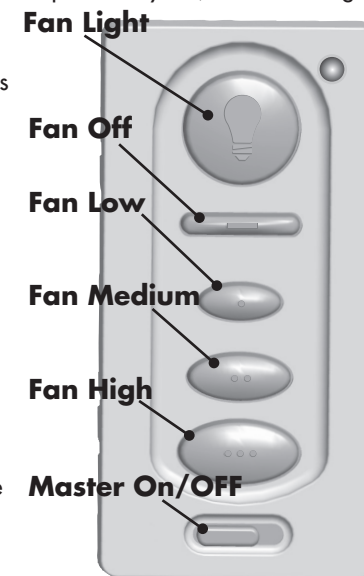


Figure 6.

4. Manual Light Switch Operation:

- To turn the lights ON without battery power to the wall control, turn OFF the master switch for 5 seconds, then turn the master switch back ON. The light will turn on at full brightness, and the fan will remain OFF.
- For everyday operation, leave the wall switch ON. However, if the control will not be used for an extended period of time (5 days or more), turn the wall switch OFF.

Troubleshooting

No functions operate.

1. Main Power not restored.
 - Replace fuse. Turn ON circuit breaker. Turn ON wall switch.
2. Fan pull chain not set to High.
 - Turn OFF power at wall switch or main electric panel.
 - Set fan pull chain to High speed.

3. Light pull chain not set to ON.
 - Set light kit to ON.

4. Receiver wiring incorrect.
 - Verify wiring connections.

5. Transmitter and receiver dip switches do not match.
 - Set transmitter and receiver to same dip switch setting.

6. Battery too weak.
 - Replace with new, alkaline battery.

Operates only at close range.

1. Signal blocked from reaching receiver.
 - Extend antenna into ceiling box, or move it for better reception.
2. Battery too weak.
 - Replace with new, 12 Volt alkaline battery.

Inconsistent operation.

1. Signal partially blocked from reaching receiver.
 - Extend antenna into ceiling box, or move it for better reception.
2. RF interference.
 - Turn OFF wall switch for 5 seconds, then turn back ON.
3. Continuing RF interference.
 - Change dip switch settings to a different code in both Transmitter and Receiver.

HUNTER FAN COMPANY ALL-FAN® CONTROL LIMITED WARRANTY

The Hunter Fan Company makes the following limited warranty to the original purchaser of the ALL-FAN® Control ("Control"): Your Control is warranted to be free from defects in material and workmanship for a period of one year from the date of sale. If the Control malfunctions or fails within the warranty period due to a defect in material or workmanship we will replace it free of charge. IF THE ORIGINAL PURCHASER CEASES TO OWN THE CONTROL, THIS WARRANTY AND ANY IMPLIED WARRANTY OF MERCHANTABILITY OR FITNESS FOR A PARTICULAR PURPOSE, ARE VOIDED. THIS WARRANTY IS IN LIEU OF ALL OTHER EXPRESS WARRANTIES. THE DURATION OF ANY IMPLIED WARRANTY OF MERCHANTABILITY OR FITNESS FOR A PARTICULAR PURPOSE, IN RESPECT TO ANY CONTROL, IS EXPRESSLY LIMITED TO THE PERIOD OF THE EXPRESS WARRANTY SET FORTH ABOVE FOR SUCH CONTROL. This warranty excludes malfunctions or failures which were caused by repairs by persons not authorized by us, mishandling, improper installation, modifications, or damage to the Control while in your possession, or unreasonable use. This warranty does not apply to batteries or to deterioration or damage to the product caused by the use of faulty batteries. To obtain a replacement, return your Control postage prepaid along with proof of purchase to Hunter Fan Company Service Department at 2500 Frisco Avenue, Memphis, Tennessee, USA, 38114. SOME AMERICAN STATES AND CANADIAN PROVINCES DO NOT ALLOW: (1) LIMITATIONS ON HOW LONG AN IMPLIED WARRANTY LASTS; OR (2) THE EXCLUSION OR LIMITATION OF DIRECT, INDIRECT, SPECIAL, OR CONSEQUENTIAL DAMAGES. SO THE ABOVE LIMITATION OR EXCLUSIONS MAY NOT APPLY TO YOU. THIS WARRANTY GIVES YOU SPECIFIC LEGAL RIGHTS AND YOU MAY ALSO HAVE OTHER RIGHTS WHICH VARY FROM STATE TO STATE OR PROVINCE TO PROVINCE. IN CANADA, THIS WARRANTY IS IN ADDITION TO ANY STATUTORY WARRANTIES CONTAINED IN ANY APPLICABLE LEGISLATION AND THE TERMS OF THIS WARRANTY ARE NOT INTENDED TO EXCLUDE OR LIMIT YOUR RIGHTS UNDER THOSE STATUTES.

Control de Ventilador y Luz Universal Hunter Modelo 27186

Ventilador 120 VCA, 60 Hz, 1.0 A, Lámpara incandescente de 300 Vatios

Lea Y Guarde Estas Instrucciones

Precaución: ¡Riesgo de choque eléctrico!

- Este dispositivo cumple con la parte 15 de las reglas FCC. La operación está sujeta a las siguientes dos condiciones: (1) este dispositivo no puede causar una interferencia perjudicial, y (2) este dispositivo debe tolerar cualquier interferencia recibida, incluyendo interferencias que puedan causar una operación no deseada.
- Este equipo se ha probado y cumple con los límites para un dispositivo digital clase B, de acuerdo con la Parte 15 de las reglas FCC. Estos límites están diseñados para proporcionar una protección razonable contra la interferencia perjudicial en una instalación residencial. Este equipo genera, usa y puede radiar energía de radio frecuencia, y si no se instala y usa de acuerdo con las instrucciones, puede causar interferencia perjudicial a la comunicación por radio. Sin embargo, no hay garantía de que no pueda producirse interferencia en una instalación en particular. Si este equipo causa alguna interferencia perjudicial a la recepción de radio o televisión, lo que puede determinarse apagando y encendiendo el equipo, el usuario debe tratar de corregir la interferencia aplicando una o más de las medidas siguientes:
 - Reoriente o reubique la antena receptora.
 - Aumente la separación entre el equipo y el receptor.
 - Conecte el equipo en una salida de un circuito diferente del circuito en el que está conectado el receptor.
 - Consulte con su representante de ventas o con un técnico experimentado de radio/TV.
- Sólo para uso con ventiladores de techo con inversión de rotación, de 1.0 amperio o menos, y con conjuntos de lámparas incandescentes de 300 vatios o menos.
- No debe usarse con motores de polo sombreado. No se recomienda su uso con el modelo Hunter Original®. Para los ventiladores de la serie Hunter Original®, use los controles Hunter modelos 22691, 27187, o 27189.
- Las velocidades media y baja del ventilador son determinadas por el control y pueden diferir de los ajustes de fábrica debido a variaciones normales del motor.
- Para uso con sistemas de suspensión Hunter (excluye Hunter original) en techos inclinados de hasta 34 grados.
- Todo cambio o modificación a este equipo no aprobado expresamente por Hunter Fan Company anulará la autorización del usuario para operar el equipo.

- Reoriente o reubique la antena receptora.
- Aumente la separación entre el equipo y el receptor.
- Conecte el equipo en una salida de un circuito diferente del circuito en el que está conectado el receptor.
- Consulte con su representante de ventas o con un técnico experimentado de radio/TV.

3. Sólo para uso con ventiladores de techo con inversión de rotación, de 1.0 amperio o menos, y con conjuntos de lámparas incandescentes de 300 vatios o menos.

4. No debe usarse con motores de polo sombreado. No se recomienda su uso con el modelo Hunter Original®. Para los ventiladores de la serie Hunter Original®, use los controles Hunter modelos 22691, 27187, o 27189.

5. Las velocidades media y baja del ventilador son determinadas por el control y pueden diferir de los ajustes de fábrica debido a variaciones normales del motor.

6. Para uso con sistemas de suspensión Hunter (excluye Hunter original) en techos inclinados de hasta 34 grados.

7. Todo cambio o modificación a este equipo no aprobado expresamente por Hunter Fan Company anulará la autorización del usuario para operar el equipo.

Antes De Instalar El Control All-Fan®:

- Use el interruptor tirador de cadena para establecer la velocidad del ventilador a la posición ALTA antes de la instalación. No use el tirador de cadena para cambiar la velocidad del ventilador después de la instalación, ya que podría dañarse su ventilador o el control universal. La velocidad del ventilador sólo debe cambiarse usando el control universal.
- Fije el conjunto de luz del ventilador de techo en la posición ON antes de la instalación. El nivel de iluminación sólo debe cambiarse usando el control universal.

Tipos De Instalación De Ventilador:

NOTA: Algunos ventiladores pueden tener un considerable exceso de conductor. Para una instalación más fácil de la campana, corte el alambre en exceso dejando un mínimo de 6" (15 cm.) Pele nuevamente los extremos de los alambres del ventilador 1/2". Coloque el alambre de exceso restante en la caja eléctrica de techo según sea necesario.

Suspensión De Campana (Fig. 2-A): Coloque el receptor en la campana. Conecte los alambres como se muestra en la Figura 3. Extienda la antena a través de una de las aberturas de la placa de techo (aproximadamente entre 3" y 6").

Campana Hunter Hands-Free™ (Fig. 2-B): Conecte los alambres como se muestra en la Figura 3. Coloque el receptor dentro de un soporte de montaje. Extienda la antena por encima del soporte de montaje de techo (aproximadamente entre 3" y 6").

Perfil Bajo Estilo I (Fig. 2-C): Conecte el receptor a la placa de montaje del motor con bridas de 12" (no incluidos). Corte toda brida excedente. Conecte los alambres como se muestra en la Figura 3. Extienda la antena a través de una de las aberturas de la placa de techo (aproximadamente entre 3" y 6").

Perfil Bajo Estilo II (Fig. 2-D): Conecte el receptor al soporte de techo con bridas de 12" (no incluidos). Recorte el exceso de longitud de bridas. Conecte los alambres como se muestra en la Figura 3. Extienda la antena por encima del soporte de montaje de techo (aproximadamente entre 3" y 6").

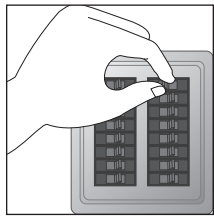
Suspensión De Soporte (Fig. 2-E): Comenzando con el alambre de la antena, deslice el receptor dentro del soporte de montaje. Si el tornillo de montaje de un alambre de tierra evita que el receptor se deslice en el soporte, mueva el alambre de tierra y atornillelo en un agujero no utilizado en la parte superior del soporte o asegúrelo con un tornillo de montaje de campana. El soporte debe permanecer puesto a tierra adecuadamente. Conecte los alambres como se muestra en la Figura 3. Extienda la antena encima del receptor (aproximadamente entre 5" y 8").

Colocación De Sujetacables Para Ventiladores De Perfil Bajo (Fig. 2-C, 2-D): Introduzca el sujetacables a través de las aberturas, tal como se

muestra. NO introduzca el sujetacables a través del interior del receptor. El sujetacables puede colocarse longitudinal o transversalmente al receptor para adaptarse mejor al tipo de instalación de su ventilador.

Instalación Del Receptor:

- Desconecte la alimentación de energía al ventilador de techo y al conjunto de luces en el panel eléctrico principal. Retire el fusible o mueva el interruptor automático a la posición de apagado.



¡IMPORTANTE! Antes de instalar este control, verifique los ajustes del conmutador DIP predeterminados en fábrica. Vea la Figura 1. Asegúrese que las posiciones del conmutador DIP del transmisor y del receptor coincidan, o el ventilador de techo no funcionará. Seleccione diferentes combinaciones de los conmutadores DIP para evitar la operación incorrecta debido a controles remotos de otros ventiladores.

- Seleccione diferentes combinaciones de conmutadores DIP para evitar la operación incorrecta debido a otros controles remotos de ventiladores, puertas de garaje, etc.

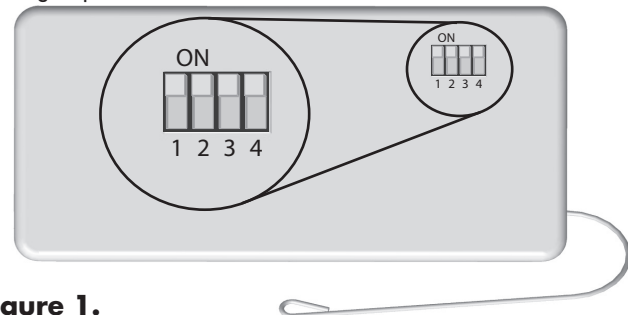


Figure 1.

- Determine el tipo de montaje de su ventilador de techo (Figura 2). La mayoría de instalaciones será uno de estos cuatro tipos: Suspensión de campana, Campana Hunter Hands-Free™, Perfil bajo Estilos I y II, o Suspensión de soporte.

- Instale el ventilador de techo de acuerdo con sus instrucciones, hasta la realización de las conexiones eléctricas. Conecte el receptor al ventilador de techo de acuerdo con el tipo de montaje, como se indica en la Figura 2.

- Si el ventilador ya está instalado, apague la alimentación en el panel eléctrico principal. Invierta el procedimiento de instalación de acuerdo con las instrucciones del ventilador, hasta el punto de desconectar el cableado del ventilador. Conecte el receptor al ventilador de techo de acuerdo con el tipo de montaje, como se indica en la Figura 2.

- Use los 2 empalmes plásticos grandes suministrados para conectar al receptor con el cableado ya existente, y luego los 3 pequeños para conectar el receptor y el ventilador de techo. Consulte el Diagrama de cableado en la Figura 3.

- Asegúrese que la antena esté ubicada en forma segura para que no pueda

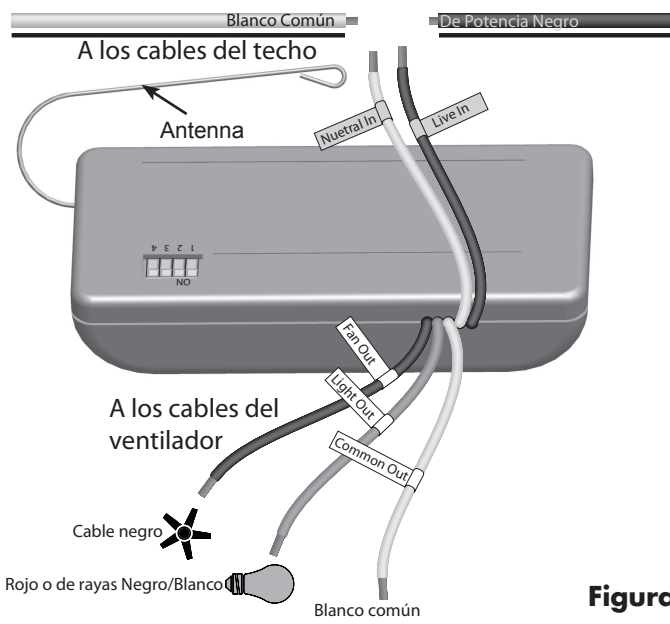
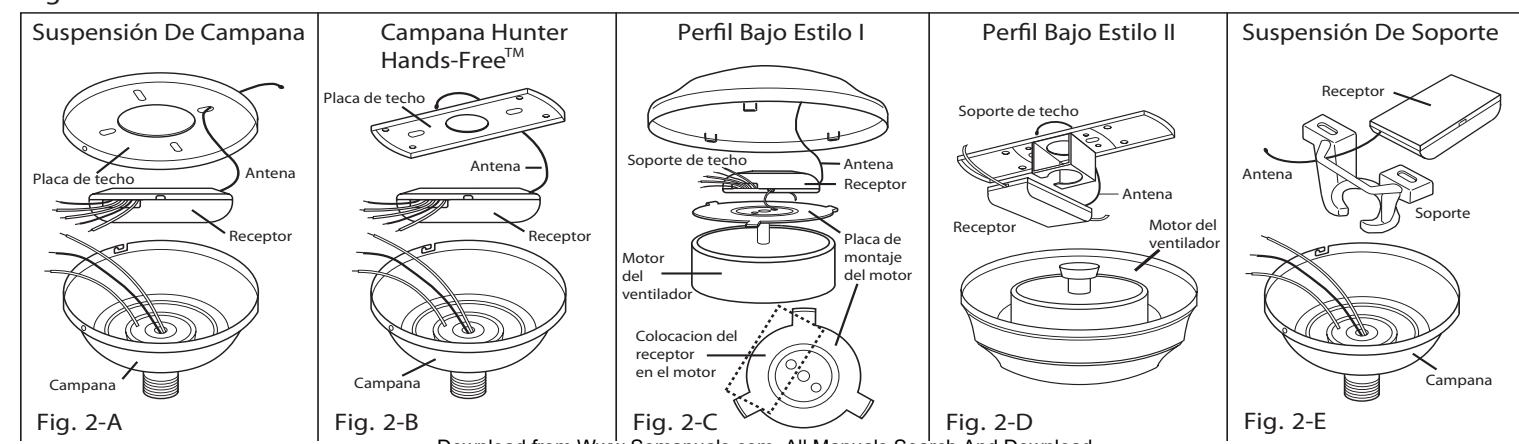


Figura 3.

interferir con el motor del ventilador de techo. Consulte la Figura 2. No modifique ni dañe el alambre de la antena, ya que podría perjudicar el funcionamiento del control. Después de asegurar el receptor, la antena y el cableado, termine de suspender el ventilador de techo de acuerdo con las instrucciones.

Figura 2



Instalación de control de pared:

- Retire la placa del interruptor de balancín (no incluido) para hacer visible el cableado.
- Si hay 4 alambres visibles, conecte cada alambre negro con un cable All-Fan®. Use 2 de los conectores de alambres grandes suministrados para hacer las conexiones. Consulte la Figura 5.
- Si hay un alambre de tierra en su caja eléctrica, conéctelo al tornillo de tierra cerca de la parte inferior de la placa de montaje.
- Suavemente empuje los alambres y el control de pared dentro de la caja eléctrica. Conecte el control All-Fan® a la caja del interruptor con los dos tornillos suministrados.
- Verifique que el interruptor principal esté en la posición OFF (apagado). Presione hacia adentro en cada lado del control de pared para retirar la cubierta. Fije los conmutadores DIP en el control de pared para que coincidan con los conmutadores DIP en el receptor. Figura 4. Instale una batería alcalina de 12 voltios (A23, MN21, o equivalente). Reinstale la cubierta.
- Restablezca la energía en el tablero eléctrico.

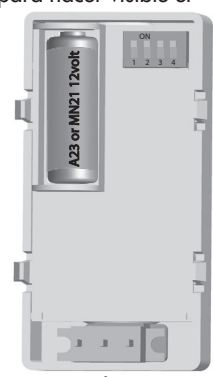


Figure 4.

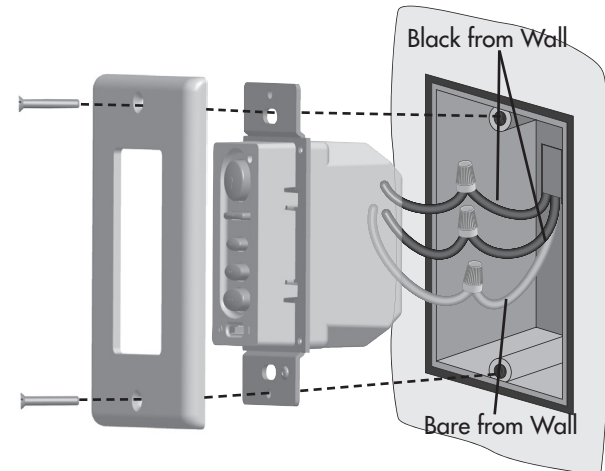


Figure 5.

Operación:

- Encienda el interruptor de pared. La luz se encenderá a su máximo brillo.
- Operación de la luz:

- Presione y libere rápidamente el botón de luz en el control de pared para apagar o encender la luz. (La luz se encenderá con el máximo brillo)
- Presione y mantenga presionado el botón de luz por más de 1 segundo para encender la luz y disminuir desde el brillo máximo hasta apagado.
- Suelte el botón de luz cuando se alcance el nivel de luz deseado.
- Continúe presionando el botón de luz para repetir el ciclo. (Máximo-reducción de nivel de luz-APAGADO)
- Al apagar la luz se restablece la función de atenuación de luz. La próxima vez que presione el botón de luz, se encenderá al brillo máximo.
- Después de un corte de energía eléctrica, la luz permanecerá apagada después de que se restablezca la energía eléctrica. Presione y suelte rápidamente el botón de luz una vez para encender la luz

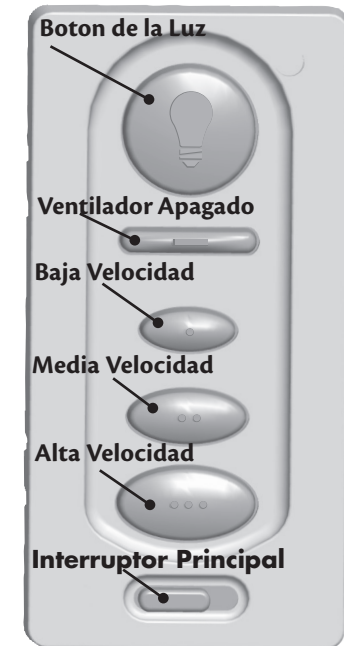


Figure 6.

- Operación Del Ventilador:
 - Poussez sur les boutons de vitesse High, Medium ou Low (haute, moyenne ou basse) pour mettre en marche le ventilateur à la vitesse désirée.
 - Poussez sur la touche OFF pour arrêter le ventilateur de plafond.
 - Pour un fonctionnement sans problème du ventilateur : Faites démarrer le moteur de ventilateur sur High (vitesse haute), puis choisissez la vitesse désirée.
- Operación manual del interruptor de luz:
 - Para encender las luces sin alimentación de baterías al control remoto, apague el interruptor principal por 5 segundos y luego enciéndalo otra vez. La luz se encenderá al brillo máximo y el ventilador quedará apagado.
 - Para la operación diaria, deje el interruptor de pared encendido. Sin embargo, si el control no va a usarse por tiempo prolongado (5 días o más), apague el interruptor de pared.

LOCALIZACIÓN DE FALLAS

No opera ninguna función.

- La alimentación principal no se ha restaurado.
 - Reemplace el fusible. Encienda el interruptor automático. Encienda el interruptor de pared.
- La cadena del ventilador no está fijada en Alta.
 - Apague la alimentación en el interruptor de pared o en el tablero eléctrico principal.
 - Coloque los tiradores de cadena de los ventiladores en velocidad ALTA.
- El tirador de la cadena de luz no está colocado en ON (encendido).
 - Fije el conjunto de luces en ON.
- Cableado de receptor incorrecto.
 - Verifique las conexiones del cableado.
- Los ajustes del transmisor y el receptor no coinciden.
 - Fije el transmisor y el receptor al mismo ajuste.
- Batería demasiado débil.
 - Reemplace con una batería alcalina nueva de 12 voltios.

Opera sólo en un rango restringido.

- La señal no puede alcanzar al receptor.
 - Extienda la antena en la caja de techo, o muévala para obtener una mejor recepción.
- Batería demasiado débil.
 - Reemplace con una batería alcalina nueva de 12 voltios.

Operación irregular.

- La señal sólo alcanza parcialmente al receptor.
 - Extienda la antena en la caja de techo, o muévala para obtener una mejor recepción.
- Interferencia de RF.
 - Apague el interruptor de pared por 5 segundos y luego enciéndalo otra vez.
- Interferencia continua de RF.
 - Cambie los ajustes a un código diferente en el transmisor y en el receptor.

GARANTÍA LIMITADA DEL CONTROL DE HUNTER FAN COMPANY

Hunter Fan Company establece la siguiente garantía limitada al comprador original del Control ("Control"): Garantizamos que su Control no tendrá defectos en materiales ni mano de obra por un año a partir de la fecha de compra. Si el Control presenta un funcionamiento defectuoso o una avería dentro del período de garantía debido a un defecto en el material o la mano de obra, lo reemplazaremos en forma gratuita. SI EL COMPRADOR ORIGINAL DEJA DE POSEER EL CONTROL, ESTA GARANTÍA Y CUALQUIER GARANTÍA IMPLÍCITA, INCLUYENDO, PERO SIN LIMITARSE A TODA GARANTÍA IMPLÍCITA DE COMERCIABILIDAD O IDONEIDAD PARA UN PROPÓSITO PARTICULAR, QUEDA ANULADA. ESTA GARANTÍA SUSTITUYE A TODAS LAS OTRAS GARANTÍAS EXPRESAS. LA DURACIÓN DE TODA GARANTÍA IMPLÍCITA, INCLUYENDO PERO SIN LIMITARSE A CUALQUIER GARANTÍA IMPLÍCITA DE COMERCIABILIDAD O IDONEIDAD PARA UN PROPÓSITO PARTICULAR, RELACIONADA CON CUALQUIER CONTROL, ESTÁ EXPRESAMENTE LIMITADA AL PERÍODO DE LA GARANTÍA EXPRESA ESTABLECIDA ANTERIORMENTE PARA DICHO CONTROL. Esta garantía excluye funcionamientos defectuosos o fallas causados por reparaciones realizadas por personas no autorizadas por nosotros, mal uso, instalación incorrecta, modificaciones, o daños al Control mientras esté en su posesión, o por un empleo no razonable. Esta garantía no se aplica a las baterías ni al deterioro o daño al producto causado por el uso de baterías defectuosas. Para obtener un reemplazo, devuelva su Control con el franqueo prepagado junto con una prueba de su compra al Departamento de servicio de Hunter Fan Company, en 2500 Frisco Avenue, Memphis, Tennessee 38114. EN NINGÚN CASO HUNTER FAN COMPANY SERÁ RESPONSABLE DE DAÑOS PERJUDICIALES O ACCESORIOS. ALGUNOS ESTADOS NO PERMITEN LIMITACIONES SOBRE LA DURACIÓN DE UNA GARANTÍA IMPLÍCITA O LA EXCLUSIÓN O LIMITACIÓN DE DAÑOS ACCESORIOS O PERJUDICIALES, ASÍ QUE LAS LIMITACIONES O EXCLUSIONES ANTES MENCIONADAS PUEDEN NO APLICARSE A USTED. ESTA GARANTÍA LE DA DERECHOS LEGALES ESPECÍFICOS, PERO USTED TAMBIÉN PUEDE TENER OTROS DERECHOS QUE VARIAN DE ESTADO A ESTADO.

Free Manuals Download Website

<http://myh66.com>

<http://usermanuals.us>

<http://www.somanuals.com>

<http://www.4manuals.cc>

<http://www.manual-lib.com>

<http://www.404manual.com>

<http://www.luxmanual.com>

<http://aubethermostatmanual.com>

Golf course search by state

<http://golfingnear.com>

Email search by domain

<http://emailbydomain.com>

Auto manuals search

<http://auto.somanuals.com>

TV manuals search

<http://tv.somanuals.com>